

HIS3 EI8V2 IN

Built-in stove with display (65 l)

Bauknecht

Für mich und mein Zuhause



Operating modes



TOP 4

- Hot air oven with 15 functions • Cooking chamber volume 65 liters

- Electronic clock with one-button operation and LC text display (white) • Retractable control knobs

STAINLESS STEEL

HIS3 EI8V2 IN

EAN 40 11577 59029 6

CONTROL AND OPERATING MODES

- Hot air oven with 15 functions • Electronic clock with one-button operation and LC text display (white)

FUNCTION

- Power hot air – even distribution of hot air right from the start • Maxi Cooking – optimized function for cooking large pieces of meat • Pizza function – delicious and crispy • Quick heating

- Slow cooking – low temperature cooking

FURNISHING

- Cooking chamber volume 65 liters

- Full glass inner door, double glazed •

Double partial pull-out

- Stainless steel switch panel

- Retractable control knobs

- Silver-colored control knob

- Cooking chamber temperature up to 250 °C • 1 halogen lamp in the interior • Smooth side walls

- Cooling fan for good cabinet ventilation

ACCESSORIES

- 1 grid

- 1 baking tray, enamelled • 1

drip pan

SPECIAL ACCESSORIES (AT EXTRA COST) •

- 3-fold full baking pull-out SLF 133 • Baking pull-out with 3 levels, one of which is fully extendable, 2 partial pull-outs SLF 234

- Partial pull-out with 2 levels SLP 232

TECHNICAL DATA AND DIMENSIONS

- Energy efficiency class A+1 •

Energy consumption according to DIN 0.87 kWh conventional

- Energy consumption according to DIN 0.67 kWh

Recirculating air • Total connected load: 10.65 kW

- Niche dimensions (HxWxD): 600x560x550 mm • Can be combined with CHI 6640F IN/01

WPRO ACCESSORIES (OPTIONAL)

- ACTIV'O degreaser for oven and grill

ODS414/2, EAN 8015250640731 •

Extendable baking tray (universal)

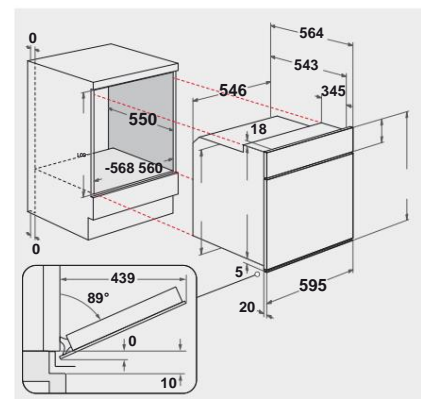
UBT523, EAN 8015250608397 •

terrabianca plastering stone

UNC502, EAN 8015250613858 •

Oven starter set

KCU210, EAN 8015250595833



¹Energy efficiency class range from A+++ to D