

Lenco

Model BMC-090 (V2)



User Manual - Karaoke Bluetooth microphone with speaker and lights

Gebruikershandleiding - Karaoke bluetooth-microfoon met luidspreker en verlichting

Bedienungsanleitung – Karaoke Bluetooth Mikrofon mit Lautsprecher und Beleuchtung

Mode d'emploi - Micro karaoké Bluetooth avec haut-parleur et jeu de lumières

Manual del usuario - Micrófono Karaoke Bluetooth con altavoz y luces

Index

English	3
Nederlands	12
Deutsch	22
Français	32
Español.....	42

CAUTION:

Usage of controls or adjustments or performance of procedures other than those specified herein may result in hazardous radiation exposure.

PRECAUTIONS BEFORE USE**KEEP THESE INSTRUCTIONS IN MIND:**

1. Do not cover or block any ventilation openings. When placing the device on a shelf, leave 5 cm (2") free space around the whole device.
2. Install in accordance with the supplied user manual.
3. Keep the device away from heat sources such as radiators, heaters, stoves, candles and other heat-generating products or naked flame. The device can only be used in moderate climates. Extremely cold or warm environments should be avoided. Working temperature between 0° and 35°C.
4. Avoid using the device near strong magnetic fields.
5. Electrostatic discharge can disturb normal usage of this device. If so, simply reset and restart the device following the instruction manual. During file transmission, please handle with care and operate in a static-free environment.
6. Warning! Never insert an object into the product through the vents or openings. High voltage flows through the product and inserting an object can cause electric shock and/or short circuit internal parts. For the same reason, do not spill water or liquid on the product.
7. Do not use in wet or moist areas such as bathrooms, steamy kitchens or near swimming pools.
8. The device shall not be exposed to dripping or splashing and make sure that no objects filled with liquids, such as vases, are placed on or near the apparatus.
9. Do not use this device when condensation may occur. When the unit is used in a warm wet room with damp, water droplets or condensation may occur inside the unit and the unit may not function properly; let the unit stand in power OFF for 1 or 2 hours before turning on the power: the unit should be dry before getting any power.
10. Although this device is manufactured with the utmost care and checked several times before leaving the factory, it is still possible that problems may occur, as with all electrical appliances. If you notice smoke, an excessive build-up of heat or any other unexpected phenomena, you should disconnect the plug from the main power socket immediately.
11. This device must operate on a power source as specified on the specification label. If you are not sure of the type of power supply used in your home, consult your dealer or local power company.
12. Keep away from animals. Some animals enjoy biting on power cords.
13. To clean the device, use a soft dry cloth. Do not use solvents or petrol based fluids.

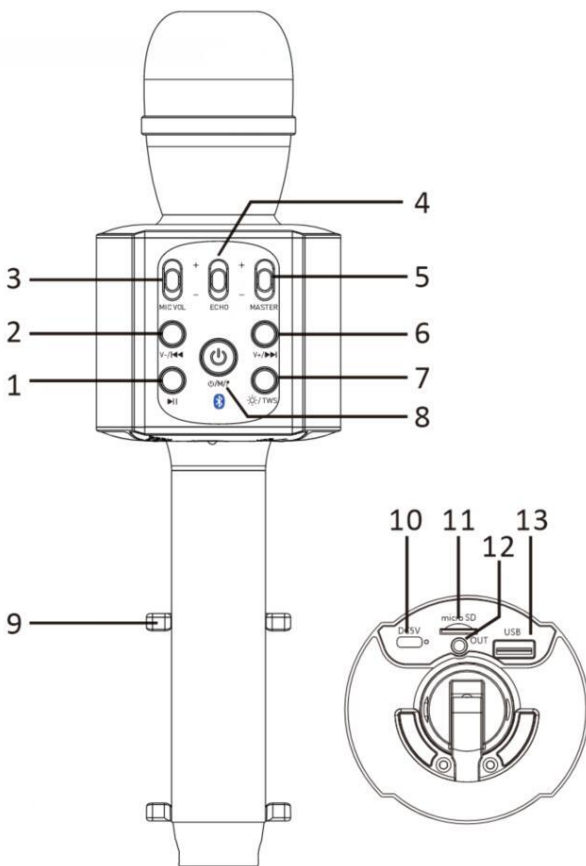
14. To remove severe stains, you may use a damp cloth with dilute detergent.
15. The supplier is not responsible for damage or lost data caused by malfunction, misuse, modification of the device or battery replacement.
16. Do not interrupt the connection when the device is formatting or transferring files. Otherwise, data may be corrupted or lost.
17. If the unit has USB playback function, the USB memory stick should be plugged into the unit directly. Don't use an USB extension cable because it can cause interference resulting in failing of data.
18. The rating label has been marked on the bottom or back panel of the device.
19. This device is not intended for use by people (including children) with physical, sensory or mental disabilities, or a lack of experience and knowledge, unless they're under supervision or have received instructions about the correct use of the device by the person who is responsible for their safety.
20. This product is intended for non professional use only and not for commercial or industrial use.
21. Make sure the unit is adjusted to a stable position. Damage caused by using this product in an unstable position vibrations or shocks or by failure to follow any other warning or precaution contained within this user manual will not be covered by warranty.
22. Never remove the casing of this device.
23. Never place this device on other electrical equipment.
24. Do not allow children access to plastic bags.
25. Only use attachments/accessories specified by the manufacturer.
26. Refer all servicing to qualified service personnel. Servicing is required when the device has been damaged in any way, such as the power supply cord or the plug, when liquid has been spilled or objects have fallen into the device, when the device has been exposed to rain or moisture, does not operate normally, or has been dropped.
27. Long exposure to loud sounds from personal music players may lead to temporary or permanent hearing loss.
28. If the product is delivered with power cable or AC power adaptor:
 - If any trouble occur, disconnect the AC power cord and refer servicing to qualified personnel.
 - Don't step on or pinch the power adaptor. Be very careful, particularly near the plugs and the cable's exit point. Do not place heavy items on the power adaptor, which may damage it. Keep the entire device out of children's reach! When playing with the power cable, they can seriously injure themselves.
 - Unplug this device during lightning storms or when unused for a long period.
 - The socket outlet must be installed near the equipment and must be easily accessible.
 - Do not overload ac outlets or extension cords. Overloading can cause fire or electric shock.

- Devices with class 1 construction should be connected to a main socket outlet with a protective earthed connection.
 - Devices with class 2 construction do not require a earthed connection.
 - Always hold the plug when pulling it out of the main supply socket. Do not pull the power cord. This can cause a short circuit.
 - Do not use a damaged power cord or plug or a loose outlet. Doing so may result in fire or electric shock.
29. If the product contains or is delivered with a remote control containing coin/cell batteries:
Warning:
- “Do not ingest battery, Chemical Burn Hazard” or equivalent working.
 - [The remote control supplied with] This product contains a coin/button cell battery. If the battery is swallowed, it can cause severe internal burns in just 2 hours and can lead to death.
 - Keep new and used batteries away from children.
 - If the battery compartment does not close securely, stop using the product and keep it away from children.
 - If you think batteries might have been swallowed or placed inside any part of the body, seek immediate medical attention.
30. Caution about the use of Batteries:
- Danger of explosion if battery is incorrectly replaced. Replace only with the same or equivalent type.
 - Battery cannot be subjected to high or lowextremetemperatures, low air pressure at high altitude during use, storage or transportation.
 - Replacement of a battery with an incorrect type that can result in an explosion or the leakage of flammable liquid or gas.
 - Disposal of a battery into fire or a hot oven, or mechanically crushing or cutting of a battery, that can result in an explosion.
 - Leaving a battery in an extremely high temperature surrounding environment that can result in an explosion or that leakage of flammable liquid or gas.
 - A battery subjected to extremely low air pressure that may result in an explosion or the leakage of flammable liquid or gas.
 - Attention should be drawn to the environmental aspects of battery disposal.

INSTALLATION

- Unpack all parts and remove protective material.
- Do not connect the unit to the mains before checking the mains voltage and before all other connections have been made.

Illustration



1. Play/pause button
2. Previous song/decrease music volume level
3. Mic volume +/-,slide switch
4. Echo+/-,slide switch
5. Music volume +/-,slide switch
6. Next song/increase music volume level
7. LED lights on/off(Long press this button to enter TWS function)
8. Power on/off; Mode: Bluetooth/Micro SD card/USB reader; Magic voice. Magic voice effects: Press twice this button to enter Magic voice effect mode. Short press again to change the magic voice effect. There are 3 different voice effects. Press twice again to turn off this mode.
9. Phone holder

10. USB-C charging socket
11. Micro SD card socket
12. Line-out socket
13. USB connection

Package Included

USB-C cable for charging



3.5mm Aux-out cable



Charging


The microphone can be charged through the included USB cable, which you can connect to a USB home charger or another device with a USB charging function.



Please make sure that the karaoke speaker is fully charged before first use.

- Connect the product with USB-C cable.
- USB-Cin charging socket (10)
- The indicator will show red light when charging.
- The indicator will turn off when fully charged.

Bluetooth Pairing

1. Turn on Microphone (Long press  button), LED light will come on and will release “Bluetooth mode”.
2. You can search “Lenco BMC-090” to connect it on your device. Once connected successfully, you will hear: “connected”

3. If a password is required, enter "0000".
4. Apply any karaoke APP or select song from your device music player, and adjust Mic Volume, Echo, to the right position.
5. You can sing along with Microphone.

"This product has a Bluetooth **reception** function, **you can not transmit any Bluetooth sound with it**: this means that you can receive wirelessly a Bluetooth sound signal from an external source like a smartphone."

Pairing 2 Microphones with 1 smartphone (TWS function)

It is possible to pair two Karaoke microphones with 1 smartphone or tablet. Turn on both microphones (8) and make sure they are in Bluetooth mode. If it is the first time they pair together, long press the LED light button (7) of both microphones to enter in the TWS function. When the pairing is successful, the microphones will emit a signal. Then pair the microphones with your smartphone or tablet.

To disconnect the microphones, long press the LED light button (7) on one of the units or insert a micro SD card or USB stick.

To connect again, you just need to long press the LED light button on one of the units.

Micro SD card mode

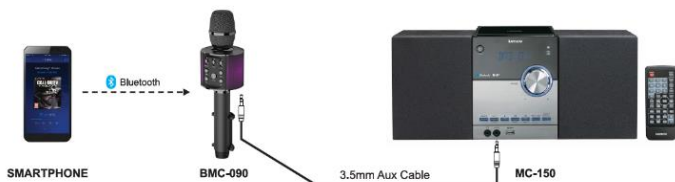
1. Turn on Microphone, Insert the micro SD card preloaded with songs, you will hear "SD card mode" from the speaker. Speaker will automatically start playing songs from the SD Card.
2. To go to next song: Short press the ►► button.
3. To go to previous song: Short press the ◀◀ button.
4. To Pause the Track: Short press the ►|| button.
5. To Play the Track: Short press the ►|| button.

USB stick mode

1. Insert the preloaded USB stick into the USB socket and the music will automatically start playing.
2. To go to next song: Short press the ►► button.
3. To go to previous song: Short press the ◀◀ button.
4. To Pause the Track: Short press the ►|| button.
5. To Play the Track: Short press the ►|| button.

Line-out mode

With the BMC-090, you can also play the music and microphone voice on an external speaker or micro HiFi set. Just connect the AUX 3,5mm cable to the AUX out of the BMC-090 and to the AUX in connector of the external speaker or micro HiFi set. You can adjust the volume on the BMC-090 for microphone and music.



Karaoke with holder

Make sure the speaker is in pairing mode, put your mobile phone on the holder (the phone is more stable in the holder without a phone case). You can choose favorite song to karaoke, then you can watch lyric on the holder while you're singing. **adjustment by karaoke**

The volume of the microphone and music can be adjusted by means of the slider switch, with this switch it is not possible to adjust the volume of the microphone and music separately. If you want to adjust the volume of the music so that you hear the microphone better, you can do this by long pressing the Previous song button (to decrease the volume), to increase the volume, long press the Next song button. Make sure the music switch is set to maximum.

Troubleshooting

The power light is not ON	Please check that the microphone is charged
The microphone has no sound.	Please turn power on and adjust the volume control on the microphone up.
The microphone has no echo.	Please slide the echo control on the microphone up, please do not put the speaker on the table under echo opening condition
The sound has noise.	Please confirm whether environmental interference.
The music is no sound.	Please adjust the volume of your phone or slide the volume control on the microphone up

Technical Specification

- Name: Portable Wireless Microphone Bluetooth Speaker with holder
- Item NO.: **Lenco BMC-090**
- Source Input: micro SD card/USB/BT/Flashing Light/LINE-OUT
- Input: DC5V; 500mA
- Output Power: 5W*1
- Bluetooth version: V5.0
- Wireless frequency: 2402-2480MHz
- Product size: 80*74*277mm
- Weight: 407.6g
- LED power: 800mw
- Distortion: <1%
- Battery capacity: 1200mAh
- Material: ABS
- Charging Time: About 4 hours
- Playing Time: About 8 hours
(The playing time depends on volume and LED)
- Transmission distance: about 10m
- Audio format SD/USB MP3
- Maximum USB stick capacity 64GB

1. Guarantee

Lenco offers service and warranty in accordance to European law, which means that in case of repairs (both during and after the warranty period) you should contact your local dealer.

Important note: It is not possible to send products that need repairs to Lenco directly.

Important note: If this unit is opened or accessed by a non-official service center in any way, the warranty expires.

This device is not suitable for professional use. In case of professional use, all warranty obligations of the manufacturer will be voided.

2. Disclaimer

Updates to Firmware and/or hardware components are made regularly. Therefore some of the instruction, specifications and pictures in this documentation may differ slightly from your particular situation. All items described in this guide for illustration purposes only and may not apply to particular situation. No legal right or entitlements may be obtained from the description made in this manual.

3. Disposal of the Old Device

This symbol indicates that the relevant electrical product or battery should not be disposed of as general household waste in Europe. To



ensure the correct waste treatment of the product and battery, please dispose them in accordance to any applicable local laws of requirement for disposal of electrical equipment or batteries. In so doing, you will help to conserve natural resources and improve standards of environmental protection in treatment and disposal of electrical waste (Waste Electrical and Electronic Equipment Directive).

4. DECLARATION OF CONFORMITY

Hereby, Commaxx declares that the radio equipment type [Lenco BMC-090] is in compliance with directive 2014/53/EU. The full text of the EU declaration of conformity is available at the following internet address:

https://commaxx-certificates.com/doc/bmc-090_doc.pdf

Type RF	Frequency range (MHz)	Power (dBm)
Bluetooth	2402-2480	< 6

5. Service

For more information and helpdesk support, please visit www.lenco.com

Commaxx B.V. Wiebachstraat 37, 6466 NG Kerkrade, The Netherlands

LET OP:

Het gebruik van afstandsbedieningen of aanpassingen of de uitvoering van procedures die niet in dit document zijn gespecificeerd, kan leiden tot gevaarlijke blootstelling aan straling.

VOORZORGSMAATREGELEN VOOR GEBRUIK**ONTHOUD DE VOLGENDE INSTRUCTIES:**

1. Bedek of blokkeer de ventilatieopeningen niet. Wanneer u het apparaat op een schap plaatst, dient u 5 cm (2") vrije ruimte rondom het gehele apparaat te behouden.
2. Installeer het product volgens de meegeleverde gebruikershandleiding.
3. Houd het apparaat uit de buurt van hittebronnen, zoals radiatoren, verwarmingen, kachels, kaarsen en andere hittegenererende producten of open vuur. Het apparaat kan alleen worden gebruikt in een gematigd klimaat. Extreem koude of warme omgevingen dienen te worden vermeden. Het bedrijfstemperatuurbereik ligt tussen 0 °C en 35 °C.
4. Gebruik dit apparaat niet in de buurt van krachtige magnetische velden.
5. Elektrostatische ontlading kan normaal gebruik van dit apparaat verstoren. U hoeft het apparaat in dit geval slechts te resetten en opnieuw op te starten volgens de gebruikershandleiding. Wees voorzichtig tijdens bestandsoverdracht en gebruik het product in een omgeving zonder statische interferentie.
6. Waarschuwing! Steek nooit een voorwerp via de ventilatie- of andere openingen in het product. Er is hoogspanning in het product aanwezig en als u er een object insteekt, kan dat een elektrische schok veroorzaken en/of kortsluiting in de interne onderdelen. Mors om dezelfde reden geen water of vloeistof op het product.
7. Gebruik het toestel niet in vochtige ruimtes, zoals badkamers, stomende keukens of in de buurt van zwembaden.
8. Het apparaat mag niet worden blootgesteld aan druppels en spetters en zorg ervoor dat er geen met vloeistof gevulde voorwerpen, zoals vazen, op of in de buurt van het apparaat worden geplaatst.
9. Gebruik dit apparaat niet wanneer condensatie kan optreden. Wanneer het apparaat in een warme, natte ruimte wordt gebruikt, kunnen zich waterdruppels of condens vormen in het apparaat en kan het apparaat niet goed functioneren. Laat het apparaat 1 of 2 uur uit staan voordat u het inschakelt: het apparaat dient droog te zijn voordat deze stroom ontvangt.
10. Alhoewel dit apparaat met grote zorg gefabriceerd en verschillende keren geïnspecteerd is voordat het de fabriek verlaat, is het nog steeds mogelijk dat er problemen optreden, zoals met alle elektrische apparaten. Als u rook, een overmatige hitteontwikkeling

of enig ander onverwacht verschijnsel opmerkt, moet u onmiddellijk de stekker van het netsnoer uit het stopcontact halen.

11. Dit apparaat moet worden gebruikt met een voedingsbron zoals gespecificeerd op het specificatielabel. Als u twijfelt over het type voeding dat gebruikt wordt in uw huis, raadpleeg dan uw dealer of plaatselijk energiebedrijf.
12. Buiten bereik van dieren houden. Sommige dieren kauwen graag op voedingskabels.
13. Gebruik een zacht, droog doekje om het apparaat te reinigen. Gebruik geen oplosmiddelen of op benzine gebaseerde vloeistoffen. U kunt een vochtig doekje met verdund schoonmaakmiddel gebruiken om hardnekkige vlekken te verwijderen.
14. De leverancier is niet verantwoordelijk voor schade of verloren gegevens veroorzaakt door storing, misbruik, modificatie van het apparaat of batterijvervanging.
15. Onderbreek nooit de verbinding wanneer het apparaat formateert of bestanden overdraagt. De gegevens kunnen anders corrupt of verloren raken.
16. Indien het apparaat een USB-afspeelfunctie heeft, moet de USB-geheugenstick rechtstreeks op het apparaat worden aangesloten. Gebruik geen USB-verlengkabel, omdat die kan leiden tot storingen met foutieve gegevens als gevolg.
17. Het classificatielabel bevindt zich op de onderkant of het achterpaneel van het apparaat.
18. Dit hulpmiddel is niet bedoeld voor gebruik door mensen (inclusief kinderen) met een fysieke, zintuiglijke of mentale handicap, of een gebrek aan ervaring en kennis, tenzij zij toezicht of instructies hebben gekregen over het juiste gebruik van het hulpmiddel door een persoon die verantwoordelijk is voor hun veiligheid.
19. Dit product is alleen voor niet-professioneel gebruik bedoeld en niet voor commercieel of industrieel gebruik.
20. Verzeker u ervan dat het apparaat in een stabiele positie staat opgesteld. Schade die wordt veroorzaakt door het gebruik van dit product in een onstabiele positie, trillingen of schokken of het niet opvolgen van de waarschuwingen of voorzorgsmaatregelen in deze gebruikershandleiding wordt niet gedekt door de garantie.
21. Verwijder nooit de behuizing van dit apparaat.
22. Plaats dit apparaat nooit op andere elektrische apparatuur.
23. Geef kinderen geen gelegenheid in aanraking met plastic zakken te komen.
24. Gebruik uitsluitend uitbreidingen/accessoires gespecificeerd door de fabrikant.
25. Laat alle reparaties over aan gekwalificeerd onderhoudspersoneel. Onderhoud is nodig als het apparaat is beschadigd, bijvoorbeeld als de voedingskabel of de stekker is beschadigd, als er vloeistof op het apparaat is gemorst, als er voorwerpen in het apparaat zijn gevallen,

als het apparaat is blootgesteld aan regen of vocht, als het apparaat niet normaal werkt of als het is gevallen.

26. Langdurige blootstelling aan harde geluiden van persoonlijke muzikspelers kan leiden tot tijdelijk of permanent gehoorverlies.
27. Als het product wordt geleverd met voedingskabel of wisselstroomvoedingsadapter:
 - Als er zich problemen voordoen, moet u de voedingskabel loskoppelen en het ter onderhoud aanbieden aan gekwalificeerd personeel.
 - Nooit op de voedingsadapter stappen of deze indrukken. Wees zeer voorzichtig, vooral in het gebied rond de stekkers en de kabelaan sluitingen. Plaats geen zware voorwerpen op de voedingsadapter, om beschadiging ervan te voorkomen. Houd het gehele apparaat buiten bereik van kinderen! Wanneer kinderen met de voedingskabel spelen, kunnen zij ernstig letsel oplopen.
 - Haal de stekker uit het stopcontact tijdens onweer of wanneer u deze langere tijd niet gebruikt.
 - Het stopcontact moet in de buurt van de apparatuur zijn geïnstalleerd en eenvoudig te bereiken zijn.
 - Laat AC-stopcontacten of verlengsnoeren nooit overbelast raken. Overbelasting kan brand of een elektrische schok veroorzaken.
 - Apparaten met een Klasse 1 structuur dienen te worden aangesloten op een stopcontact met een beschermende aardverbinding.
 - Apparaten met een Klasse 2 structuur vereisen geen aardverbinding.
 - Houd altijd de stekker vast wanneer u deze uit het stopcontact trekt. Trek nooit aan de voedingskabel. Dit kan tot een kortsluiting leiden.
 - Gebruik nooit een beschadigde voedingskabel of stekker of een los stopcontact. Dit vormt namelijk een risico op brand of elektrische schokken.
28. Indien het product knoopcelbatterijen bevat of wordt geleverd met een afstandsbediening die knoopcelbatterijen bevat:

Waarschuwing:

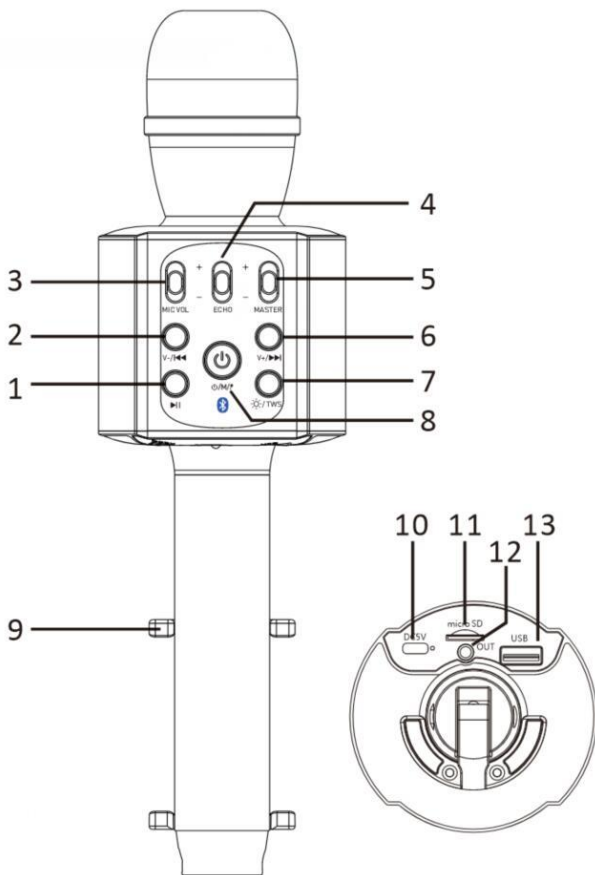
 - “Batterij niet inslikken, chemisch brandgevaar” of gelijkwaardige werking.
 - De meegeleverde afstandsbediening bevat een knoopcelbatterij. Als de batterij wordt ingeslikt, kan deze in slechts 2 uur ernstige interne brandwonden veroorzaken en tot de dood leiden.
 - Houd nieuwe en gebruikte batterijen buiten bereik van kinderen.
 - Als de batterijhouder niet goed kan worden gesloten, dient u het product niet meer te gebruiken en buiten bereik van kinderen te houden.

- Als u denkt dat batterijen zijn ingeslikt of binnenin een willekeurig lichaamsdeel terecht zijn gekomen, dient u onmiddellijk medische hulp te zoeken.
29. Waarschuwing m.b.t. het gebruik van batterijen:
- Als de batterij onjuist wordt geplaatst, bestaat er explosiegevaar. Vervang de batterij alleen door een zelfde of vergelijkbare soort batterij.
 - Stel de batterij niet bloot aan extreem hoge of lage temperaturen of een lage luchtdruk op grote hoogte tijdens gebruik, opslag of transport.
 - Vervanging van een batterij door een incorrect type kan leiden tot een ontploffing of de lekkage van ontvlambare vloeistoffen of gas.
 - Het weggooien van een batterij in het vuur of een hete oven, of het mechanisch verpletteren of insnijden van een batterij, kan leiden tot een explosie.
 - Het achterlaten van een batterij in een omgeving met extreem hoge temperaturen kan leiden tot een explosie of het lekken van brandbare vloeistof of gas.
 - Een batterij die aan een extreem lage luchtdruk wordt blootgesteld, kan leiden tot een explosie of het lekken van brandbare vloeistof of gas.
 - Aandacht voor het milieu is nodig bij het verwijderen van de batterijen.

INSTALLATIE

- Pak alle onderdelen uit en verwijder de beschermende materialen.
- Sluit het apparaat niet aan op het stopcontact, voordat u de netspanning hebt gecontroleerd en voordat alle andere aansluitingen zijn gemaakt.

Illustratie



1. Afspelen/Pauzeren-toets
2. Vorige track/volumeniveau verlagen
3. Volume microfoon +/-, schuifknop
4. Echo+/-, schuifknop
5. Volume muziek +/-, schuifknop
6. Volgende track/volumeniveau verhogen
7. Ledverlichting aan/uit (Lang deze knop indrukken om de TWS-functie te openen)
8. In-/uitschakelen; Modus: Bluetooth/MicroSD-kaart/ USB-lezer; Magische stem. Magische stemeffecten: Druk tweemaal op deze toets om de Magische stemeffectmodus te openen. Druk nogmaals

in om tussen de magische stemeffecten te wisselen. Er zijn 3 verschillende stemeffecten beschikbaar. Druk nogmaals twee keer in om deze modus uit te schakelen.

9. Telefoonhouder
10. USB-C oplaadaansluiting
11. Sleuf micro SD-kaart
12. Lijn-uit-aansluiting
13. USB-aansluiting

Verpakking bevat

USB-C kabel voor opladen



3,5 mm Aux-uit kabel



Opladen


U kunt de microfoon opladen via de meegeleverde USB-kabel, door deze aan te sluiten op een USB-thuislader of een ander apparaat met een USB-laadfunctie.



Zorg ervoor dat de karaoke-luidspreker volledig opgeladen is voor het eerste gebruik.

- Sluit het product aan met de USB-C kabel.
- USB-C in oplaadaansluiting (10)
- Het lampje brandt rood tijdens het opladen.
- Het lampje gaat uit als het volledig opgeladen is.

Bluetooth koppelen

1. Zet de microfoon aan (houd de knop  lang ingedrukt), de ledverlichting gaat aan en schakelt "bluetooth-modus" in.
2. U kunt zoeken op "Lenco BMC-090" om het te koppelen met uw apparaat. Eenmaal succesvol gekoppeld, zult u horen: "connected"
3. Indien een wachtwoord vereist is, voer dan "0000" in.
4. Gebruik een karaoke-APP of selecteer een track van uw muzikspeler, en stel het microfoonvolume en echo correct af.
5. U kunt meezingen met de microfoon.

"Dit product is voorzien van een Bluetooth-**ontvangstfunctie, u kunt er geen Bluetooth-audio mee sturen**: dit betekent dat u van een externe bron zoals een smartphone draadloos een Bluetooth-audiosignaal kunt ontvangen."





2 microfoons koppelen met 1 smartphone (TWS-functie)

Het is mogelijk om twee Karaoke-microfoons te koppelen met 1 smartphone of tablet. Zet beide microfoons (8) aan en zorg ervoor dat ze in de Bluetooth-modus staan. Als het de eerste keer is dat ze samen worden gekoppeld, houd dan de LED-verlichtingsknop (7) van beide microfoons lang ingedrukt om de TWS-functie te openen. Als het koppelen is gelukt, geven de microfoons een signaal. Koppel vervolgens de microfoons met uw smartphone of tablet.



Voor het ontkoppelen van de microfoons drukt u lang op de LED-verlichtingsknop (7) op een van de apparaatjes of plaatst u een micro SD-kaart of USB-stick.

Om opnieuw te verbinding, hoeft u alleen maar lang op de LED-verlichtingsknop op een van de apparaatjes te drukken.

Micro SD-kaartmodus

1. Zet de microfoon aan, plaats de micro SD-kaart met tracks en vervolgens hoort u "SD card mode" uit de luidspreker. De luidspreker start automatisch met het afspelen van tracks van de SD-kaart.
2. Om naar de volgende track te gaan: Druk kort op de knop .
3. Om naar de vorige track te gaan: Druk kort op de knop .
4. Om de track te pauzeren: Druk kort op de knop .
5. Om de track af te spelen: Druk kort op de knop .

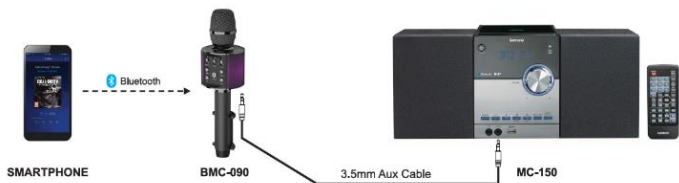
USB-stickmodus

1. Plaats de USB-stick met tracks in de USB-aansluiting en de muziek zal automatisch beginnen te spelen.
2. Om naar de volgende track te gaan: Druk kort op de knop .
3. Om naar de vorige track te gaan: Druk kort op de knop .

4. Om de track te pauzeren: Druk kort op de knop **⏸**.
5. Om de track af te spelen: Druk kort op de knop **▶**.

Lijn-uitmodus

Met de BMC-090, kunt u ook de muziek en microfoonstem afspelen op een externe luidspreker of stereo-installatie. Sluit gewoon de AUX 3,5 mm-kabel aan op de AUX-uit van de BMC-090 en op de AUX in-aansluiting van de externe luidspreker of stereo-installatie. U kunt het volume op de BMC-090 aanpassen voor microfoon en muziek.



EN	NL
Bluetooth	Bluetooth
SMARTPHONE	SMARTPHONE
BMC-090	BMC-090
3.5mm Aux Cable	3,5 mm Aux-Kabel

Karaoke met houder

Zorg ervoor dat de luidspreker op koppelmodus is ingesteld, zet uw mobiele telefoon op de houder (de telefoon is stabieler in de houder zonder telefoonhoesje). U kunt uw favoriete track kiezen voor karaoke en de tekst aflezen op de houder terwijl u zingt.

Volumeregeling voor karaoke

Het volume van de microfoon en muziek kan worden aangepast via de schuifschakelaar. Het is met deze schakelaar niet mogelijk het volume van de microfoon en muziek afzonderlijk aan te passen. Als u het volume van de muziek wilt aanpassen zodat u de microfoon beter kunt horen, dan kan dit door de toets Vorige Track lang in te drukken (het volume verlagen) of de toets Volgende Track lang in te drukken (het volume verhogen). Zorg ervoor dat de muziekschakelaar op maximaal is ingesteld. Dit geldt alleen voor de modi SD/Lijnuitgang/USB, omdat deze geen afzonderlijke volumeregeling hebben.

Probleemoplossing

Het voedingslampje is niet aan	Controleer of de microfoon opgeladen is
De microfoon geeft geen geluid.	Zet het apparaat aan en stel de volumeregeling van de microfoon in.
De microfoon geeft geen echo.	Schuif de echoregeling op de microfoon omhoog. Zet de luidspreker niet op tafel onder echo-openingsconditie.
Het geluid geeft ruis.	Bevestig of er sprake is van omgevingsinvloeden.
De muziek geeft geen geluid.	Stel het volume van uw telefoon aan of schuif het volume van de microfoon naar boven

Technische specificaties

- Naam: Draagbare draadloze microfoon bluetooth-luidspreker met houder
- Artikelnummer: **Lenco BMC-090**
- Broninvoer: micro SD-kaart/USB/BT/knipperend lampje/LINE-OUT
- Ingangsspanning: DC 5 V; 500 mA
- Uitgangsvermogen: 5 W x 1
- Bluetooth-versie: V5.0
- Draadloze frequentie: 2402-2480 MHz
- Productafmeting: 80 x 74 x 277 mm
- Gewicht: 407,6 g
- Ledvermogen: 800 mw
- Vervorming: <1%
- Batterijcapaciteit: 1200 mAh
- Materiaal: ABS
- Oplaadtijd: Ongeveer 4 uur
- Speeltijd: Ongeveer 8 uur (de speeltijd is afhankelijk van het volume en led)
- Zendbereik: ongeveer 10 m
- Audio-formaat SD/USB MP3
- Maximale capaciteit USB-stick 64 GB

1. Garantie

Lenco biedt service en garantie aan overeenkomstig met de Europese wetgeving. Dit houdt in dat u, in het geval van reparaties (zowel tijdens als na de garantieperiode), uw lokale handelaar moet contacteren.

Belangrijke opmerking: Het is niet mogelijk om producten die gerepareerd moeten worden direct naar Lenco te sturen.

Belangrijke opmerking: De garantie verloopt als een onofficieel servicecenter het apparaat op wat voor manier dan ook heeft geopend, of er toegang toe heeft gekregen.

Het apparaat is niet geschikt voor professioneel gebruik. In het geval van professioneel gebruik worden alle garantieverplichtingen van de fabrikant nietig verklaard.

2. Disclaimer

Er worden regelmatig updates in de firmware en/of hardwarecomponenten gemaakt. Daardoor kunnen gedeelten van de instructie, de specificaties en afbeeldingen in deze documentatie enigszins verschillen van uw eigen situatie. Alle onderwerpen die staan beschreven in deze handleiding zijn bedoeld als illustratie en zijn niet van toepassing op specifieke situaties. Aan de beschrijving in dit document kunnen geen rechten worden ontleend.

3. Afvoer van het oude apparaat



Dit symbool geeft aan dat het betreffende elektrische product of de batterij niet moet worden verwijderd als algemeen huishoudelijk afval in Europa. Zorg voor een juiste afvalverwerking door het product en de batterij in overeenstemming met alle van toepassing zijnde lokale wetten voor het verwijderen van elektrische apparatuur of batterijen te verwijderen. Als u dit doet, helpt u de natuurlijke hulpbronnen te behouden en de standaard van milieubescherming te verbeteren bij de

behandeling en verwijdering van elektrisch afval (Afgedankte Elektrische en Elektronische Apparatuur).

4. VERKLARING VAN CONFORMITEIT

Hierbij verklaar ik, Commaxx, dat het type radioapparatuur [Lenco BMC-090(V2)] conform is met Richtlijn 2014/53/EU. De volledige tekst van de EU-conformiteitsverklaring kan worden geraadpleegd op het volgende internetadres:

https://commaxx-certificates.com/doc/bmc-090_doc.pdf

Type RF	Frequentiebereik (MHz)	Vermogen (dBm)
Bluetooth	2402-2480	< 6

5. Service

Bezoek voor meer informatie en helpdeskondersteuning www.lenco.com

Commaxx B.V. Wiebachstraat 37, 6466 NG Kerkrade, The Netherlands

ACHTUNG:

Eine andere als die hier beschriebene Bedienung, Einstellung oder Verwendung der Funktionen kann zu gefährlicher Strahlenbelastung führen.

VORSICHTSMASSNAHMEN VOR DER BENUTZUNG**BEFOLGEN SIE IMMER FOLGENDE ANWEISUNGEN:**

1. Blockieren oder bedecken Sie keine Lüftungsöffnungen. Wenn Sie das Gerät auf ein Regal stellen, lassen Sie um das gesamte Gerät 5 cm (2") freien Platz.
2. Stellen Sie das Gerät entsprechend den Anweisungen der mitgelieferten Bedienungsanleitung auf.
3. Halten Sie das Gerät von Hitzequellen wie Radiatoren, Heizern, Öfen, Kerzen oder anderen hitzeerzeugenden Produkten oder offenen Flammen fern. Das Gerät darf nur bei gemäßigttem Klima verwendet werden. Sehr kalte oder heiße Umgebungen sind zu vermeiden. Der Betriebstemperaturbereich liegt zwischen 0 °C und 35 °C.
4. Meiden Sie bei der Nutzung des Produkts die Nähe starker Magnetfelder.
5. Elektrostatische Entladungen können die normale Verwendung von diesem Gerät stören. Sollte dies geschehen, führen Sie einfach einen Reset aus und starten Sie dann das Gerät entsprechend den Anweisungen dieser Bedienungsanleitung neu. Gehen Sie besonders bei Datenübertragungen mit dem Gerät vorsichtig um und führen Sie diese nur in einer antielektrischen Umgebung aus.
6. **Warnung!** Niemals Gegenstände durch die Lüftungsschlitze oder Öffnungen in das Gerät stecken. In diesem Gerät fließt Hochspannung und das Hineinstecken von Gegenständen kann zu elektrischem Schock und/oder Kurzschluss interner elektrischer Bauteile führen. Aus dem gleichen Grund kein Wasser oder Flüssigkeiten in das Gerät geben.
7. Benutzen Sie das Gerät nicht in nasser oder feuchter Umgebung wie Bad, Dampfküche oder in der Nähe von Schwimmbecken.
8. Das Gerät darf weder Tropf- noch Spritzwasser ausgesetzt werden und es dürfen keine mit Flüssigkeit gefüllten Behälter wie z.B. Vasen auf das Gerät oder in der Nähe des Gerätes gestellt werden.
9. Benutzen Sie das Gerät nicht bei Kondensationsgefahr. Wenn Sie das Gerät in einem warmen feuchten Raum benutzen, dann können sich im Inneren des Geräts Wassertropfen oder Kondensationen bilden und zu Fehlfunktionen des Geräts führen. Schalten Sie in diesem Fall das Gerät für 1 – 2 Stunden aus, bevor Sie es erneut einschalten: Das Gerät sollte vollständig getrocknet sein, wenn Sie es wieder einschalten.

10. Obwohl dieses Gerät unter größter Sorgfalt und vor Auslieferung mehrmals überprüft wurde, können trotzdem wie bei jedem anderen elektrischen Gerät auch Probleme auftauchen. Trennen Sie das Gerät im Falle einer Rauchentwicklung, starker Hitzeentwicklung oder jeden anderen unnatürlichen Erscheinung sofort vom Netz.
11. Dieses Gerät ist durch eine Stromquelle wie auf dem Typenschild angegeben zu betreiben. Halten Sie bei Unsicherheiten über die Art Ihrer Stromversorgung in Ihrer Wohnung Rücksprache mit Ihrem Händler oder Ihrer Stromzuliefererfirma.
12. Halten Sie es von Haustieren fern. Einige Nagetiere lieben es, an Netzkabeln zu nagen.
13. Benutzen Sie für die Reinigung ein weiches und trockenes Tuch. Benutzen Sie niemals Lösungsmittel oder Flüssigkeiten auf Ölbasis. Benutzen Sie zum Entfernen hartnäckiger Flecken ein feuchtes Tuch mit mildem Reinigungsmittel.
14. Der Hersteller haftet nicht für Schäden oder Verluste durch Fehlfunktion, Zweckentfremdung oder Modifikation des Geräts oder durch Wechseln der Batterien.
15. Unterbrechen Sie die Verbindung nicht während einer Formatierung oder einer Datenübertragung. Bei Unterbrechung drohen Datenverlust und Datenbeschädigung.
16. Wenn das Gerät eine USB-Wiedergabefunktion besitzt, dann stecken Sie den USB-Stick direkt in das Gerät. Verwenden Sie kein USB-Verlängerungskabel, weil die erhöhte Störungsanfälligkeit zu Datenverlust führen könnte.
17. Das Typenschild befindet sich an der Unter- oder Rückseite des Geräts.
18. Dieses Gerät ist nicht zur Benutzung durch Personen (einschließlich Kinder) mit physischen, sensorischen oder mentalen Beeinträchtigungen oder ohne ausreichender Erfahrung vorgesehen, es sei denn, sie werden durch eine verantwortliche Person beaufsichtigt oder wurden in die ordnungsgemäße Bedienung des Gerätes durch eine für ihre Sicherheit verantwortliche Person eingewiesen.
19. Dieses Produkt ist nur für den nicht-professionellen Gebrauch und nicht für gewerbliche oder industrielle Zwecke bestimmt.
20. Stellen Sie sicher, dass das Gerät in einer stabilen Position aufgestellt ist. Schäden aufgrund Verwendung dieses Produkts in einer instabilen Position, Vibrationen, Stöße oder Nichtbeachtung der anderen in dieser Bedienungsanleitung enthaltenen Warnungen und Sicherheitshinweise werden nicht durch die Garantie abgedeckt.
21. Entfernen Sie niemals das Gehäuse dieses Produkts.
22. Stellen Sie das Produkt niemals auf andere elektrische Geräte.
23. Halten Sie Kinder von den Plastiktüten fern.

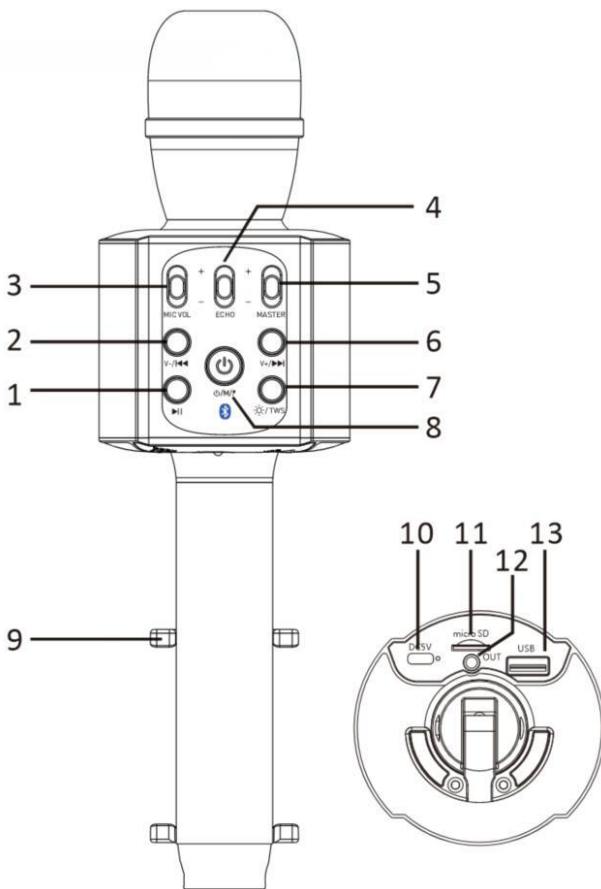
24. Benutzen Sie nur vom Hersteller spezifizierte Erweiterungen/Zubehörteile.
25. Lassen Sie alle Eingriffe von qualifiziertem Servicepersonal ausführen. Eingriffe werden notwendig, wenn das Gerät auf irgendeine Weise wie beispielsweise am Netzkabel oder am Netzstecker beschädigt wurde, Flüssigkeit in das Gerät eingedrungen ist, Gegenstände in das Gerät gefallen sind, das Gerät Regen oder Feuchtigkeit ausgesetzt war, es heruntergefallen ist oder nicht ordnungsgemäß funktioniert.
26. Langes Hören lauter Töne aus einem Musikgerät kann zum zeitweiligen oder permanenten Hörverlust führen.
27. Wenn zum Lieferumfang des Produkts ein Netzkabel oder ein Netzadapter gehört:
 - Wenn irgendwelche Probleme auftreten, dann ziehen Sie den Netzstecker aus der Netzsteckdose und setzen Sie sich anschließend mit einer qualifizierten Fachkraft in Verbindung.
 - Treten Sie nicht auf das Netzteil und klemmen Sie es auch nicht ein. Geben Sie besonders im näheren Bereich des Steckers und der Stelle acht, wo das Kabel aus dem Gerät herausgeführt wird. Stellen Sie keine schweren Gegenstände auf das Netzteil, weil es dadurch beschädigt werden könnte. Halten Sie das gesamte Gerät außerhalb der Reichweite von Kindern! Durch Spielen mit dem Netzkabel können sie sich ernsthafte Verletzungen zuziehen.
 - Trennen Sie das Gerät während eines Gewitters oder bei längerer Nichtbenutzung vom Netz.
 - Die Wandsteckdose muss sich in der Nähe des Geräts befinden und einfach zu erreichen sein.
 - Steckdosen und Verlängerungsleitungen nicht überlasten. Eine Überlastung kann zu Brandgefahr bzw. Stromschlag führen.
 - Geräte der Schutzklasse 1 sind an eine Netzsteckdose mit Schutzleiter anzuschließen.
 - Geräte der Schutzklasse 2 benötigen keinen Schutzleiteranschluss.
 - Halten Sie den Netzstecker in der Hand, wenn Sie ihn aus der Netzsteckdose ziehen. Ziehen Sie ihn nicht durch Zerren am Kabel heraus. Das kann zu einem Kurzschluss führen.
 - Verwenden Sie weder ein beschädigtes Netzkabel noch einen beschädigten Stecker oder eine lockere Steckdose. Es besteht Brand- und Stromschlaggefahr.
28. Wenn das Produkt mit einer Fernbedienung mit Batterien/Knopfzellen geliefert wird oder das Produkt eine derartige Fernbedienung umfasst:
Warnung:

- „Die Batterie nicht einnehmen, er besteht Verätzungsgefahr“.
 - [Die mit diesem Produkt mitgelieferte Fernbedienung] enthält eine Knopfatterie. Das Verschlucken der Batterie kann innerhalb von nur 2 Stunden zu schwersten inneren Verbrennungen mit Todesfolge führen.
 - Halten Sie neue und gebrauchte Batterien von Kindern fern.
 - Verwenden Sie dieses Produkt nicht weiter und halten Sie es von Kindern fern, wenn das Batteriefach nicht sicher schließt.
 - Suchen Sie umgehend ärztliche Hilfe auf, wenn Sie vermuten, dass Batterien verschluckt oder in Körperöffnungen eingeführt wurden.
29. Warnhinweise bzgl. der Verwendung von Batterien:
- Es besteht Explosionsgefahr, wenn die Batterien nicht korrekt eingelegt werden. Nur mit Batterien des gleichen oder entsprechenden Typs ersetzen.
 - Die Batterie darf während der Benutzung, Aufbewahrung oder des Transports weder sehr hohen oder sehr niedrigen Temperaturen noch niedrigem Luftdruck in großen Höhenlagen ausgesetzt werden.
 - Die Ersetzung der Batterie mit einem falschen Batterietyp kann zum Explodieren der Batterie oder dem Auslaufen von entflammbarem Gas oder entflammbarer Flüssigkeit aus der Batterie führen.
 - Die Entsorgung der Batterie in Feuer oder einem heißen Ofen oder das mechanische Zerkleinern oder Zerteilen der Batterie kann zu Explosionen führen.
 - Das Verbleiben der Batterie in einer Umgebung mit sehr hohen Temperaturen kann zum Explodieren der Batterie oder dem Auslaufen von entflammbarem Gas oder entflammbarer Flüssigkeit führen.
 - Eine einem sehr niedrigen Luftdruck ausgesetzte Batterie kann explodieren oder es kann aus einer einem sehr niedrigen Luftdruck ausgesetzten Batterie entflammbares Gas oder entflammbare Flüssigkeit auslaufen.
 - Augenmerk ist auf den ökologischen Aspekt der Batterieentsorgung zu legen.

ANSCHLUSS

- Packen Sie alle Teile aus und entfernen Sie danach die Schutzmaterialien.
- Schließen Sie das Gerät nicht eher an das Netz an, bevor Sie die Netzspannung überprüft haben und alle anderen notwendigen Verbindungen hergestellt sind.

Abbildung



1. Wiedergabe/Pause-Taste
2. Vorheriger Titel/Musiklautstärkepegel verringern
3. Mikrofonlautstärke +/-, Schiebeschalter
4. Echo +/-, Schiebeschalter
5. Musiklautstärke +/-, Schiebeschalter
6. Nächster Titel/Musiklautstärkepegel anheben
7. LED-Beleuchtung ein-/ausschalten (langes Drücken dieser Taste ruft die TWS-Funktion auf)
8. Ein/Ausschalten; Modus: Bluetooth/microSD-Speicherkarte/USB; Magische Stimme. Magische Stimmeffekte: Drücken Sie diese Taste zweimal, um in den Modus Magische Stimmeffekte zu

wechseln. Drücken Sie sie anschließend kurz, um den magischen Stimmeffekt zu ändern. Sie können aus 3 unterschiedlichen Stimmeffekten auswählen. Drücken Sie sie erneut zweimal, um diesen Modus wieder zu verlassen.

9. Handyhalter
10. USB-C Ladebuchse
11. Micro SD Kartenschlitz
12. Line-Ausgangsbuchse
13. USB-Anschluss

Im Lieferumfang enthalten

USB-C Kabel zum Laden



3,5-mm-Line-Ausgangskabel



Laden


Sie können das Mikrofon über das mitgelieferte USB-Kabel aufladen, indem Sie es an ein USB-Ladegerät oder ein anderes Gerät mit USB-Stromversorgungsfunktion anschließen.



Vergewissern Sie sich vor dem ersten Gebrauch, dass der Karaoke-Lautsprecher vollständig aufgeladen ist.

- Schließen Sie das Gerät über ein USB-C Kabel an.
- USB-C in der Ladebuchse (10)
- Die Anzeige leuchtet während des Ladevorgangs rot auf.
- Die Anzeige erlischt, wenn der Akku vollständig aufgeladen ist.

Bluetooth-Kopplung

1. Mikrofon einschalten (Taste  lange drücken), die LED leuchtet auf und aktiviert den „Bluetooth-Modus“.
2. Suchen Sie „Lenco BMC-090“, um es mit Ihrem Gerät zu verbinden. Nach erfolgreicher Verbindung ertönt die Sprachansage: „Connected“
3. Wenn ein Passwort erforderlich ist, geben Sie „0000“ ein.
4. Verwenden Sie eine beliebige Karaoke-APP oder wählen Sie einen Titel mit dem Musikplayer des Geräts und stellen Sie die Mikrofonlautstärke sowie das Echo auf die richtige Position ein.
5. Sie können nun über das Mikrofon mitsingen.

„Dieses Produkt besitzt eine Bluetooth-**Empfangsfunktion, mit der Sie jedoch keine Klänge über Bluetooth übertragen können**, d. h. Sie können nur Bluetooth-Audiosignale von externen Quellen wie beispielsweise einem Smartphone kabellos empfangen.“





Kopplung von zwei Mikrofonen mit einem Smartphone (TWS-Funktion)

Es ist möglich, zwei Karaoke-Mikrofone mit einem Smartphone oder Tablet zu koppeln. Schalten Sie beide Mikrofone (8) ein und stellen Sie sicher, dass der Bluetooth-Modus aktiviert ist. Wenn die beiden Mikrofone zum ersten Mal miteinander gekoppelt werden, drücken Sie lange auf die LED-Licht-Taste (7) an beiden Mikrofonen, um die TWS-Funktion zu aktivieren. Wenn das Koppeln erfolgreich war, geben die Mikrofone ein Signal ab. Koppeln Sie dann die Mikrofone mit Ihrem Smartphone oder Tablet.

Um die Mikrofone zu trennen, drücken Sie lange auf die LED-Licht-Taste (7) an einem der Geräte oder stecken Sie eine microSD-Karte oder einen USB-Stick ein.

Um die Verbindung wiederherzustellen, reicht ein langes Drücken der LED-Licht-Taste an einem der Geräte.

Micro SD-Speicherkartenmodus

1. Schalten Sie das Mikrofon ein, stecken Sie die mit Musik geladene Micro SD-Karte ein – und schon ertönt die Sprachansage „SD card mode“ aus dem Lautsprecher. Der Lautsprecher startet automatisch die Wiedergabe der Musiktitel auf der SD-Karte.
2. Nächster Musiktitel: Drücken Sie kurz die  Taste.
3. Voriger Musiktitel: Drücken Sie kurz die  Taste.
4. Titel vorübergehend anhalten: Drücken Sie kurz die  Taste.
5. Titel wiedergeben: Drücken Sie kurz die  Taste.

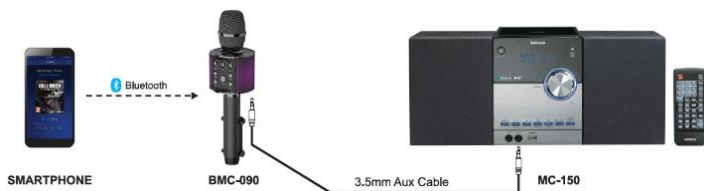
USB-Stick-Modus

1. Musik von einem USB-Stick wird automatisch abgespielt, wenn Sie einen mit Musik geladenen USB-Stick in den USB-Anschluss stecken.

2. Nächster Musiktitel: Drücken Sie kurz die **▶▶** Taste.
3. Voriger Musiktitel: Drücken Sie kurz die **◀◀** Taste.
4. Titel vorübergehend anhalten: Drücken Sie kurz die **▶||** Taste.
5. Titel wiedergeben: Drücken Sie kurz die **▶||** Taste.

Line-Ausgangsmodus

Mit dem BMC-090 ist es möglich, Musik und Mikrofonstimme auch auf einem externen Lautsprecher oder Micro-HiFi-Set wiederzugeben. Schließen Sie einfach das 3,5-mm-Line-nach-AUX-Kabel an den Line-Ausgang des BMC-090 und an den AUX-Eingang des externen Lautsprechers oder des Mikro-HiFi-Sets an. Stellen Sie die Mikrofon- und Musik-Lautstärke am BMC-090 ein.



EN	DE
Bluetooth	Bluetooth
SMARTPHONE	SMARTPHONE
BMC-090	BMC-090
3.5mm Aux Cable	3,5-mm-Line-nach-Aux-Kabel

Karaoke mit Halter

Vergewissern Sie sich, dass sich der Lautsprecher im Kopplungsmodus befindet, legen Sie Ihr Handy auf den Halter (das Handy sitzt ohne Handyhülle stabiler im Halter). Wählen Sie einen Lieblingssong zum Mitsingen und über der Handyhalter können Sie während des Mitsingens die Liedtexte lesen.

Karaoke-Lautstärkeeinstellung

Sie können die Mikrofon- und Musikhautstärke über den Schiebeschalter einstellen. Allerdings ist es nicht möglich, mit diesem Schiebeschalter die Lautstärke der Musik und des Mikrofons getrennt einzustellen. Wenn Sie die Lautstärke der Musik verringern möchten, damit Sie das Mikrofon besser hören können, dann drücken Sie die Taste Vorheriger Titel (für die Verringerung der Lautstärke) lang. Wenn Sie die Lautstärke anheben möchten, dann drücken Sie die Taste Nächster Titel lang. Vergewissern Sie sich, dass der Schalter Musik auf Maximum gestellt ist. Das gilt nur

für die Modi SD, Line-ausgang und USB, weil diese keine separate Lautstärkeregelung besitzen.

Fehlerdiagnose

Die Betriebs-LED leuchtet nicht.	Überprüfen Sie, ob das Mikrofon vollständig aufgeladen ist.
Das Mikrofon gibt keinen Ton aus.	Bitte schalten Sie das Gerät ein und stellen Sie den Lautstärkereglern des Mikrofons nach oben.
Das Mikrofon erzeugt kein Echo.	Bitte schieben Sie den Echoregler am Mikrofon nach oben und stellen Sie den Lautsprecher mit der Echoöffnung nach unten auf den Tisch.
Die Wiedergabe ist verzerrt.	Überprüfen Sie, ob es Störquellen in der Umgebung gibt.
Es wird keine Musik wiedergegeben.	Stellen Sie die Lautstärke Ihres Handys ein oder schieben Sie den Lautstärkereglern des Mikrofons nach oben.

Technische Daten

- Name: Tragbares Funk-Mikrofon mit Bluetooth-Lautsprecher und Halter
- Artikel-Nr: **Lenco BMC-090**
- Quelleneingang: Micro SD-Karte/USB/BT/Blitzleuchte/LINE-OUT
- Eingang: DC 5 V; 500 mA
- Ausgangsleistung: 1 x 5 W
- Bluetooth-Version: V5.0
- Funkfrequenz: 2402-2480 MHz
- Produktgröße: 80 x 74 x 277 mm
- Gewicht: 407,6 g
- LED-Leistung: 800 mW
- Verzerrung: < 1 %
- Akku-Kapazität: 1200 mAh
- Material: ABS
- Ladezeit: Ca. 4 Stunden
- Wiedergabezeit: Ca. 8 Stunden (Die Wiedergabezeit hängt von Lautstärke und LED ab)
- Übertragungreichweite: ca. 10 m
- Audio-Format SD/USB MP3
- Maximale USB-Stick-Kapazität 64 GB

1. Garantie

Lenco bietet Leistungen und Garantien im Einklang mit Europäischem Recht. Im Falle von Reparaturen (sowohl während als auch nach Ablauf der Garantiezeit) sollten Sie deshalb Ihren Einzelhändler kontaktieren.

Wichtiger Hinweis: Es ist nicht möglich, Geräte für Reparaturen direkt an Lenco zu schicken.

Wichtiger Hinweis: Falls dieses Gerät von einem nicht autorisierten Kundendienst geöffnet oder darauf zugegriffen wird, erlischt die Garantie.

Dieses Gerät ist nicht für professionelle Zwecke geeignet. Falls das Gerät für professionelle Zwecke eingesetzt wird, erlöschen alle Garantieverpflichtungen seitens des Herstellers.

2. Haftungsausschluss

Aktualisierungen der Firmware und/oder Hardware-Komponenten werden regelmäßig durchgeführt. Daher können einige der Anweisungen, Spezifikationen und Abbildungen in dieser Dokumentation von Ihrer individuellen Situation abweichen. Alle in diesem Handbuch beschriebenen Elemente dienen nur zur Illustration und treffen auf Ihre individuelle Situation möglicherweise nicht zu. Aus der in diesem Handbuch getätigten Beschreibung können keine Rechtsansprüche oder Ansprüche geltend gemacht werden.

3. Entsorgung des Altgeräts



Dieses Symbol zeigt an, dass das entsprechende Produkt oder dessen Batterie in Europa nicht mit dem normalen Hausmüll entsorgt werden darf. Um die ordnungsgemäße Abfallbehandlung des Produkts und dessen Batterie zu gewährleisten, müssen diese im Einklang mit allen anwendbaren örtlichen Vorschriften zur Entsorgung von Elektrogeräten und Batterien entsorgt werden. Dabei helfen Sie, natürliche Ressourcen zu schonen und Umweltschutzstandards zur Verwertung und Entsorgung von Altgeräten aufrecht zu halten (Waste Electrical and Electronic Equipment Directive).

4. ÜBEREINSTIMMUNGSERKLÄRUNG

Hiermit erklärt Commaxx, dass der Funkanlagentyp [Lenco BMC-090(V2)] der Richtlinie 2014/53/EU entspricht. Der vollständige Text der EU-Konformitätserklärung ist unter der folgenden Internetadresse verfügbar:

https://commaxx-certificates.com/doc/bmc-090_doc.pdf

Typ HF	Frequenzbereich (MHz)	Sendeleistung (dBm)
Bluetooth	2402-2480	< 6

5. Service

Weitere Informationen und Unterstützung erhalten Sie unter www.lenco.com

Commaxx B.V. Wiebachstraat 37, 6466 NG Kerkrade, Die Niederlande.

ATTENTION :

L'utilisation de commandes ou d'ajustements ou l'exécution de procédures autres que celles spécifiées dans le présent document peuvent entraîner une exposition dangereuse aux radiations.

PRÉCAUTIONS AVANT UTILISATION**GARDEZ CES INSTRUCTIONS À L'ESPRIT :**

1. Ne couvrez pas et n'obtenez pas les ouvertures de ventilation. Lorsque vous placez l'appareil sur une étagère, laissez 5 cm (2") d'espace libre tout autour de l'appareil.
2. Installez-le conformément au mode d'emploi fourni.
3. Gardez l'appareil à l'écart des sources de chaleur telles que des radiateurs, appareils de chauffage, fours, bougies et autres produits générant de la chaleur ou une flamme nue. L'appareil ne peut être utilisé que dans des climats modérés. Les environnements extrêmement froids ou chauds doivent être évités. La plage de température de fonctionnement se situe entre 0° et 35° C.
4. Évitez d'utiliser l'appareil à proximité de champs magnétiques puissants.
5. Des décharges électrostatiques peuvent perturber le fonctionnement de cet appareil. Dans ce cas, il suffit de réinitialiser et de redémarrer l'appareil en suivant le mode d'emploi. Pendant le transfert de fichiers, manipulez l'appareil avec précaution et faites-le fonctionner dans un environnement sans électricité statique.
6. Mise en garde ! N'introduisez jamais un objet dans l'appareil par les ouvertures et les fentes de ventilation. Étant donné que des tensions élevées sont présentes à l'intérieur du produit, l'insertion d'un objet peut entraîner une électrocution et/ou court-circuiter les composants internes. Pour les mêmes raisons, ne versez pas de l'eau ou un liquide sur le produit.
7. Ne l'utilisez pas dans des endroits humides tels qu'une salle de bain, une cuisine pleine de vapeur ou à proximité d'une piscine.
8. L'appareil ne doit pas être exposé à des écoulements ou des éclaboussures et aucun objet contenant un liquide, tel qu'un vase, ne doit être posé sur ou près de l'appareil.
9. N'utilisez pas cet appareil lorsque de la condensation est possible. Lorsque l'appareil est utilisé dans une pièce humide et chaude, des gouttelettes d'eau ou de la condensation peuvent se former à l'intérieur de l'appareil et affecter son fonctionnement. Laissez l'appareil hors tension pendant 1 ou 2 heures avant de le mettre en marche : l'appareil doit être sec avant sa mise sous tension.
10. Bien que ce dispositif soit fabriqué avec le plus grand soin et contrôlé à plusieurs reprises avant de quitter l'usine, des

problèmes peuvent néanmoins survenir, comme avec tous les appareils électriques. Si l'appareil émet de la fumée ou en cas d'accumulation excessive de la chaleur ou d'un phénomène inattendu, débranchez immédiatement la fiche d'alimentation du secteur.

11. Cet appareil doit fonctionner avec la source d'alimentation indiquée sur la plaque signalétique. Si vous n'êtes pas sûr du type d'alimentation utilisé chez vous, contactez votre revendeur ou le fournisseur local d'électricité.
12. Tenez l'appareil à l'abri des animaux. Certains animaux aiment ronger les cordons électriques.
13. Pour nettoyer l'appareil, servez-vous d'un chiffon doux et sec. N'utilisez pas de solvant ni d'autre liquide à base de pétrole. Pour enlever les taches importantes, vous pouvez vous servir d'un chiffon humide imbibé d'une solution de détergent diluée.
14. Le fournisseur n'est pas responsable des dommages ou pertes de données causés par un dysfonctionnement, une utilisation abusive, une modification de l'appareil ou un remplacement de la batterie.
15. N'interrompez pas la connexion lorsque l'appareil formate ou transfère des fichiers. Dans le cas contraire, les données pourraient être endommagées ou perdues.
16. Si l'appareil a une fonction de lecture USB, il faut brancher la clé USB directement sur l'appareil. N'utilisez pas un câble d'extension USB, car cela peut causer des interférences entraînant des pertes de données.
17. L'étiquette de classification se trouve sur le panneau inférieur ou arrière de l'appareil.
18. Cet appareil ne doit pas être utilisé par des personnes (y compris les enfants) souffrant de déficiences physiques, sensorielles ou mentales, ou d'un manque d'expérience et de connaissances, à moins qu'elles n'aient été supervisées ou qu'une personne responsable de leur sécurité ne leur ait donné des instructions sur l'utilisation correcte de l'appareil.
19. Ce produit est réservé à un usage non professionnel, et non pas à un usage commercial ni industriel.
20. Vérifiez que l'appareil est en position stable. La garantie ne couvre pas les dégâts occasionnés par l'utilisation de cet appareil en position instable, par les vibrations, les chocs ou par la non-observation de tout autre avertissement ou précaution contenus dans ce mode d'emploi.
21. N'ouvrez jamais cet appareil.
22. Ne placez jamais cet appareil sur un autre appareil électrique.
23. Ne laissez pas les sacs en plastique à la portée des enfants.
24. Utilisez uniquement les accessoires recommandés par le fabricant.
25. Confiez l'entretien et les réparations à un personnel qualifié. Une réparation est nécessaire lorsque l'appareil a été endommagé de

quelque façon que ce soit, par exemple lorsque le cordon d'alimentation ou la prise sont endommagés, lorsqu'un liquide s'est déversé ou des objets sont tombés sur l'appareil, lorsque l'appareil a été exposé à la pluie ou à l'humidité, lorsqu'il ne fonctionne pas correctement ou est tombé.

26. Une exposition prolongée à la musique avec un volume élevé peut entraîner une perte auditive temporaire ou permanente.

27. Si l'appareil est livré avec un câble d'alimentation ou un adaptateur secteur :

- En cas de problème, débranchez le cordon d'alimentation CA et confiez l'entretien à un personnel qualifié.
- Ne marchez pas sur l'adaptateur secteur ou ne le coincez pas. Faites très attention, en particulier à proximité des fiches et du point de sortie du câble. Ne placez pas d'objets lourds sur l'adaptateur secteur, car ils pourraient l'endommager. Gardez l'appareil hors de portée des enfants ! Ils pourraient se blesser gravement s'ils jouent avec le câble d'alimentation.
- Débranchez cet appareil pendant les orages ou lorsqu'il n'est pas utilisé pendant une longue durée.
- La prise secteur doit être installée près de l'appareil et doit être facilement accessible.
- Ne surchargez pas les prises de courant ou les rallonges. Une surcharge peut entraîner un incendie ou une électrocution.
- Les appareils de classe 1 doivent être branchés à une prise de courant disposant d'une connexion protectrice à la terre.
- Les appareils à la norme de construction de classe 2 ne nécessitent pas de connexion à la terre.
- Tirez toujours sur la fiche pour débrancher le cordon de la prise secteur. Ne tirez pas sur le cordon d'alimentation. Cela pourrait provoquer un court-circuit.
- N'utilisez pas un cordon ou une fiche d'alimentation endommagé ni une prise desserrée. Vous courez un risque d'incendie ou de décharge électrique.

28. Si le produit contient ou est livré avec une télécommande contenant des piles boutons :

Avertissement :

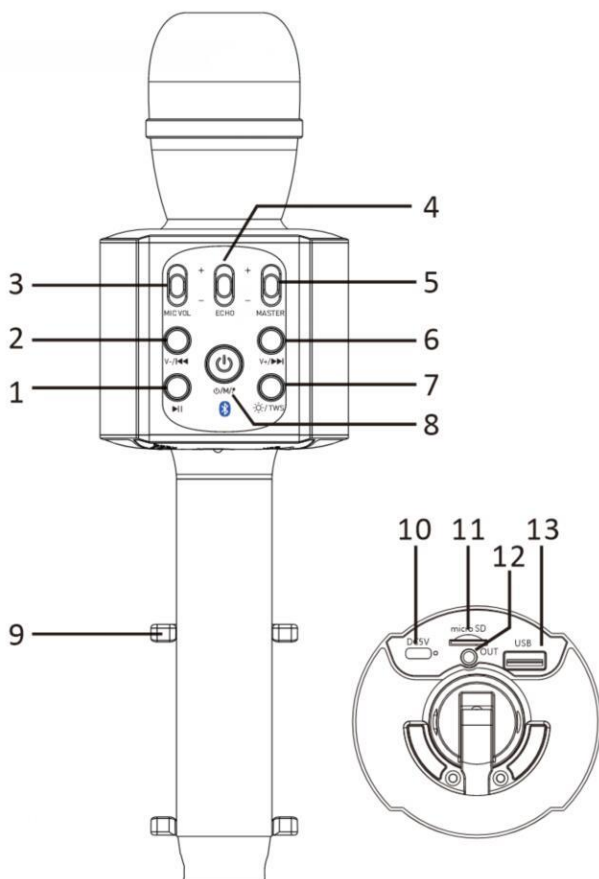
- « N'ingérez pas la pile, car vous risquez une brûlure chimique » ou une formule équivalente.
- La télécommande fournie contient une pile bouton/pièce de monnaie. Si la pile est avalée, elle peut causer de graves brûlures internes en seulement 2 heures et peut entraîner la mort.
- Tenez les piles neuves et usagées hors de portée des enfants.

- Si le compartiment à piles ne se ferme pas correctement, cessez d'utiliser l'appareil et tenez-le hors de portée des enfants.
 - Si vous pensez que les piles ont été avalées ou placées à l'intérieur d'une partie du corps, consultez un médecin immédiatement.
29. Mise en garde relative à l'utilisation des piles :
- Risque d'explosion si la pile est mal remplacée. Remplacez les piles par des piles d'un type identique ou équivalent.
 - Pendant l'utilisation, le stockage ou le transport, la pile ne doit pas être soumise à des températures extrêmement élevées ou basses, à une faible pression d'air à haute altitude.
 - Le remplacement d'une pile par une autre de type incorrect peut entraîner une explosion ou une fuite de liquide ou de gaz inflammable.
 - L'introduction d'une pile dans le feu ou dans un four chaud, l'écrasement ou le découpage mécanique peut entraîner une explosion.
 - L'exposition d'une pile dans un environnement à température extrêmement élevée peut entraîner une explosion ou une fuite de liquide ou de gaz inflammable.
 - L'exposition d'une pile à une pression d'air extrêmement basse peut entraîner une explosion ou une fuite de liquide ou de gaz inflammable.
 - Veuillez considérer les questions environnementales lors de la mise au rebut des piles.

INSTALLATION

- Déballez toutes les pièces et enlevez le matériau de protection.
- Ne connectez pas l'unité au secteur avant d'avoir vérifié la tension du secteur et avant que toutes les autres connexions n'aient été effectuées.

Illustration



1. Bouton Lecture/pause
2. Chanson précédente/ diminution du niveau de volume de la musique
3. Volume micro +/-, bouton coulissant
4. Écho+/-, bouton coulissant
5. Volume musique+/-, bouton coulissant
6. Chanson suivante/ diminution du niveau de volume de la musique
7. Voyant lumineux marche/arrêt (appuyez longuement sur ce bouton pour accéder à la fonction TWS)
8. Bouton Marche/Arrêt ; Mode : Bluetooth/carte micro SD/lecteur

USB ; Magic voice.Effet Magic voice:Appuyez deux fois sur ce bouton pour passer en mode effet Magic voice.Appuyez à nouveau brièvement pour modifier l'effet Magic voice. Il existe 3 effets de voix différents. Appuyez à nouveau deux fois pour désactiver ce mode.

9. Support de téléphone
10. Prise de charge USB-C
11. Port pour carte Micro SD
12. Prise Line out
13. Connexion USB

Contenu de l'emballage

Câble USB-C pour la charge



Câble Aux-out de 3,5 mm



Charge


Le microphone peut être chargé à l'aide du câble USB fourni, que vous pouvez connecter à un chargeur domestique USB ou à un autre appareil doté d'une fonction de charge USB.



Avant la première utilisation, veuillez vérifier que le haut-parleur karaoké soit totalement chargé.

- Connectez le produit à l'aide du câble USB-C.
- Branchez le câble USB-C à la prise de charge (10)
- Le voyant affichera une lumière rouge pendant la charge.
- Il s'éteindra une fois la charge complète.

Appariement par Bluetooth

1. Mettez le micro en marche (appuyez longuement sur le bouton ) , la LED s'allumera et affichera « Mode Bluetooth ».
2. Vous pouvez rechercher « Lenco BMC-090 » pour le connecter à votre appareil. Une fois la connexion réussie, vous entendrez : « connected »
3. Si un mot de passe est demandé, saisissez « 0000 ».
4. Mettez en œuvre une application de karaoké quelconque ou sélectionnez une chanson à partir du lecteur de votre appareil ; ajustez le volume du micro, l'écho et assurez-vous du bon positionnement.
5. Vous pouvez chanter à l'aide du micro.

« Ce produit est doté d'une fonction de **réception** bluetooth, **vous ne pouvez pas l'utiliser pour transmettre un son bluetooth** : cela signifie que vous pouvez recevoir sans fil un signal sonore bluetooth d'une source externe comme un smartphone. »





Couplage de 2 microphones à 1 smartphone (fonction TWS)

Il est possible de coupler deux microphones de karaoké à 1 smartphone ou une tablette. Allumez les deux microphones (8), puis assurez-vous qu'ils sont en mode Bluetooth. Si c'est la première fois que le couplage est effectué, appuyez longuement sur le bouton lumineux (7) des deux microphones pour accéder à la fonction TWS. Une fois le couplage réussi, les microphones émettent un signal. Ensuite, coupez les microphones à votre smartphone ou à votre tablette.

Pour déconnecter les microphones, appuyez longuement sur le bouton lumineux (7) de l'un des dispositifs ou insérez une carte microSD ou une clé USB.

Pour vous reconnecter, il vous suffit d'appuyer longuement sur le bouton lumineux de l'une des unités.

Mode « carte Micro SD »

1. Mettez le micro en marche, insérez la carte Micro SD contenant déjà des chansons ; l'appareil prononcera l'indication « SD card mode ». Il lancera automatiquement la lecture des chansons à partir de la carte SD.
2. Pour aller à la chanson suivante : Appuyez brièvement sur le bouton .
3. Pour aller à la chanson précédente : Appuyez brièvement sur le bouton .
4. Pour mettre sur pause : Appuyez brièvement sur le bouton .
5. Pour lire la piste : Appuyez brièvement sur le bouton .

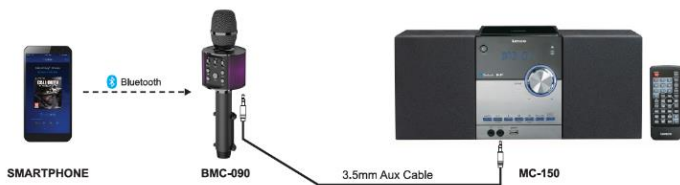
Mode « clé USB »

1. Branchez la clé USB contenant déjà des chansons dans le port USB ; la lecture des musiques commencera automatiquement.

2. Pour aller à la chanson suivante : Appuyez brièvement sur le bouton **▶▶**.
3. Pour aller à la chanson précédente : Appuyez brièvement sur le bouton **◀◀**.
4. Pour mettre sur pause : Appuyez brièvement sur le bouton **▶||**.
5. Pour lire la piste : Appuyez brièvement sur le bouton **▶▶**.

Mode « Line out »

Avec le BMC-090, vous pouvez également faire passer la musique et la voix produite au micro sur une enceinte ou une microchaîne hi-fi externe. Il vous suffit de connecter le câble AUX de 3,5 mm à la prise AUX out du BMC-090 et au port AUX in de l'enceinte ou de la microchaîne hi-fi. Vous pouvez régler le volume du micro et de la musique sur le BMC-090.



EN	FR
Bluetooth	Bluetooth
SMARTPHONE	SMARTPHONE
BMC-090	BMC-090
3.5mm Aux Cable	Câble aux de 3,5 mm
MC-150	MC-150

Karoké avec support

Assurez-vous que le haut-parleur est en mode appariement, placez votre téléphone portable sur le support (le téléphone sera plus stable sur le support sans son étui). Vous pouvez choisir votre chanson préférée pour le karaoké, puis regarder les paroles défiler sur le support pendant que vous chantez.

ge du volume par karaoké

Le volume du microphone et de la musique peut être réglé à l'aide du sélecteur. Grâce à ce sélecteur, il n'est pas possible de régler le volume du microphone et de la musique séparément. Si vous souhaitez régler le volume de la musique de manière à mieux entendre le microphone, vous pouvez appuyer longuement sur la touche Morceau précédent (pour diminuer le volume). Pour augmenter le volume, appuyez longuement sur la touche Morceau suivant. Assurez-vous que le sélecteur de musique est réglé au maximum. Cela s'applique uniquement au mode SD / Sortie de ligne / USB, car ils ne disposent pas de contrôle de volume séparé.

Dépannage

Le voyant marche/arrêt ne s'allume pas.	Vérifiez que le micro est chargé.
Le micro ne produit aucun son.	Mettez l'appareil en marche et augmentez le volume à l'aide du bouton sur le micro.
Le micro ne produit aucun écho.	Faites coulisser le bouton d'écho sur le micro vers le haut. Ne posez pas le microphone lorsque l'écho est activé.
Il y a des interférences.	Recherchez la présence de sources d'interférences dans l'environnement.
La musique est basse.	Réglez le volume de votre téléphone ou faites glisser le bouton Volume sur le micro vers le haut.

Caractéristiques techniques

- Désignation : Haut-parleur portable Bluetooth sans fil avec micro et support
- Numéro d'article : **Lenco BMC-090**
- Entrée source : carte Micro SD/USB/BT/lumière clignotante/LINE-OUT
- Entrée : 5 V CC ; 500 mA
- Puissance de sortie : 5 W x 1
- Version Bluetooth : V5.0
- Fréquence sans fil : 2402-2480 MHz
- Dimensions du produit : 80 x 74 x 277 mm
- Poids : 407,6 g
- Puissance LED : 800 mW
- Distorsion : <1 %
- Capacité de la batterie : 1200 mAh
- Matériau : ABS
- Temps de charge : Environ 4 heures
- Durée de lecture : Environ 8 heures (Le temps de lecture dépend du volume et de l'utilisation des LED)
- Distance de transmission : environ 10 m
- Format audio : SD/USB MP3
- Capacité maximale de la clé USB : 64 Go

1. Garantie

Lenco propose un entretien et une garantie conformément à la législation européenne, ce qui signifie qu'en cas de besoin de réparation (aussi bien pendant et après la période de garantie), vous pouvez contacter votre revendeur le plus proche.

Remarque importante : Il n'est pas possible de renvoyer l'appareil pour réparation directement à Lenco.

Remarque importante : Si l'unité est ouverte ou modifiée de quelque

manière que ce soit par un réparateur non agréé, la garantie serait caduque.

Cet appareil ne convient pas à une utilisation professionnelle. En cas d'utilisation professionnelle, les obligations de garantie du fabricant seront annulées.

2. Clause de non responsabilité

Des mises à jour du logiciel et/ou des composants informatiques sont régulièrement effectuées. Il se peut donc que certaines instructions, caractéristiques et images présentes dans ce document diffèrent légèrement de votre configuration spécifique. Tous les articles décrits dans ce guide le sont fournis uniquement à des fins d'illustration et peuvent ne pas s'appliquer à une configuration spécifique. Aucun droit légal ne peut être obtenu depuis les informations contenues dans ce manuel.

3. Mise au rebut de l'appareil usagé

Ce symbole indique que l'équipement électrique concerné ou la batterie



ne doivent pas être jetés parmi les autres déchets ménagers en Europe. Afin de garantir un traitement approprié de la batterie ou de l'appareil usagés, veuillez les mettre au rebut conformément à la réglementation locale en vigueur relative aux équipements électriques et autres batteries. En agissant de la sorte, vous contribuerez à la préservation des ressources naturelles et à l'amélioration des

niveaux de protection environnementale concernant le traitement et la destruction des déchets électriques (Directive sur les déchets des équipements électriques et électroniques).

4. DECLARATION DE CONFORMITE

Le soussigné, Commaxx, déclare que l'équipement radioélectrique du type [Lenco BMC-090(V2)] est conforme à la directive 2014/53/UE. Le texte complet de la déclaration UE de conformité est disponible à l'adresse internet suivante:

https://commaxx-certificates.com/doc/bmc-090_doc.pdf

Type RF	Bande de fréquences (MHz)	Puissance (dBm)
Bluetooth	2402-2480	< 6

5. Service

Pour en savoir plus et obtenir de l'assistance, visitez www.lenco.com Commaxx B.V. Wiebachstraat 37, 6466 NG Kerkrade, The Netherlands.

PRECAUCIÓN:

El uso de controles o ajustes o rendimiento de procedimientos excepto aquellos que los aquí especificados puede provocar una exposición peligrosa a la radiación.

PRECAUCIONES PREVIAS AL USO**TENGA ESTAS INSTRUCCIONES EN MENTE:**

1. No cubra o bloquee ninguna apertura de ventilación. Cuando coloque el dispositivo en una estantería, deje 5 cm (2") de espacio libre alrededor de todo el dispositivo.
2. Instálelo conforme al manual de usuario que se adjunta.
3. Mantenga el aparato alejado de fuentes de calor, como radiadores, calentadores, estufas, velas u otros productos que generen calor o llama viva. El aparato solo puede usarse en climas moderados. Se deben evitar los ambientes extremadamente fríos o cálidos. La gama de temperatura de funcionamiento es de entre 0° y 35°C.
4. Evite usar el dispositivo cerca de campos magnéticos fuertes.
5. Una descarga electrostática puede entorpecer el uso normal de este dispositivo. En tal caso, simplemente reinícielo siguiendo el manual de instrucciones. Durante la transmisión de archivos, por favor manéjelo con cuidado opérela en un entorno libre de electricidad estática.
6. ¡Advertencia! Nunca inserte un objeto en el producto a través de las ventilaciones o aperturas. Alto voltaje fluye a través del producto e insertar un objeto puede provocar una descarga eléctrica y/o un cortocircuito de sus componentes internos. Por el mismo motivo, no derrame agua o líquidos en el producto.
7. No lo utilice en zonas húmedas, como cuartos de baño, cocinas en las que se forme vapor ni cerca de piscinas.
8. El aparato no debe exponerse a goteos o salpicaduras y asegúrese de que se colocan sobre o cerca del aparato objetos llenos de líquidos, como jarrones.
9. No use este dispositivo cuando se pueda producir condensación. Cuando la unidad se usa en una sala húmeda cálida, se pueden formar gotitas de agua o condensación en el interior de la unidad y esta puede no funcionar adecuadamente; deje que la unidad se apague durante 1 o 2 horas antes de volver a encender la unidad: el aparato debe estar seco antes de conectarse a una fuente de alimentación.
10. Aunque este dispositivo está fabricado con el máximo cuidado y comprobado varias veces antes de salir de fábrica, todavía es posible que se puedan producir problemas, al igual que con todos los aparatos eléctricos. Si observa la aparición de humo, una acumulación excesiva de calor o cualquier otro fenómeno

- inesperado, deberá desconectar inmediatamente el enchufe de la toma de corriente.
11. Este dispositivo debe funcionar con una fuente de alimentación que se especifica en la etiqueta de especificaciones. Si no está seguro del tipo de alimentación que se usa en su hogar, consulte con el distribuidor o una compañía eléctrica local.
 12. Manténgalo alejado de los animales. A algunos animales les encanta morder los cables de alimentación.
 13. Para limpiar el dispositivo use un paño seco y suave. No utilice líquidos disolventes ni con base de petróleo. Para eliminar manchas difíciles, puede usar un paño húmedo con detergente diluido.
 14. El proveedor no asume ninguna responsabilidad por daños o datos perdidos provocados por un funcionamiento incorrecto, uso incorrecto, modificación del dispositivo o sustitución de la batería.
 15. No interrumpa la conexión cuando el dispositivo esté formateando o transfiriendo archivos. En caso contrario, los datos se pueden estropear o perder.
 16. Si la unidad dispone de función de reproducción USB, se debe conectar la memoria USB directamente en la unidad. No utilice un cable de extensión USB ya que pueden crear interferencias que causen una pérdida de datos.
 17. La etiqueta calificativa se encuentra en la parte inferior o en el panel posterior del aparato.
 18. Este dispositivo no está diseñado para su uso por parte de personas (incluyendo niños) con discapacidad física, sensorial o mental o con falta de experiencia o conocimientos, salvo que se les haya dado supervisión o instrucciones acerca del uso correcto del dispositivo por parte de una persona responsable de su seguridad.
 19. Este producto está diseñado para un uso no profesional únicamente y no para un uso comercial o industrial.
 20. Asegúrese de que la unidad esté fijada en una posición estable. La garantía no cubrirá los daños derivados de usar este producto en una posición inestable, vibraciones o golpes o por no seguir otras advertencias o precauciones que aparecen en este manual de usuario.
 21. Nunca retire la carcasa del dispositivo.
 22. Nunca coloque este dispositivo sobre otro equipo eléctrico.
 23. Mantenga las bolsas de plástico fuera del alcance de los niños.
 24. Use únicamente los dispositivos/accesorios especificados por el fabricante.
 25. Remita todas las reparaciones al personal cualificado. Es necesario el mantenimiento cuando el aparato presenta cualquier tipo de daño, por ejemplo, el cable de alimentación o el enchufe presentan daños; se ha vertido líquido sobre el aparato; se han

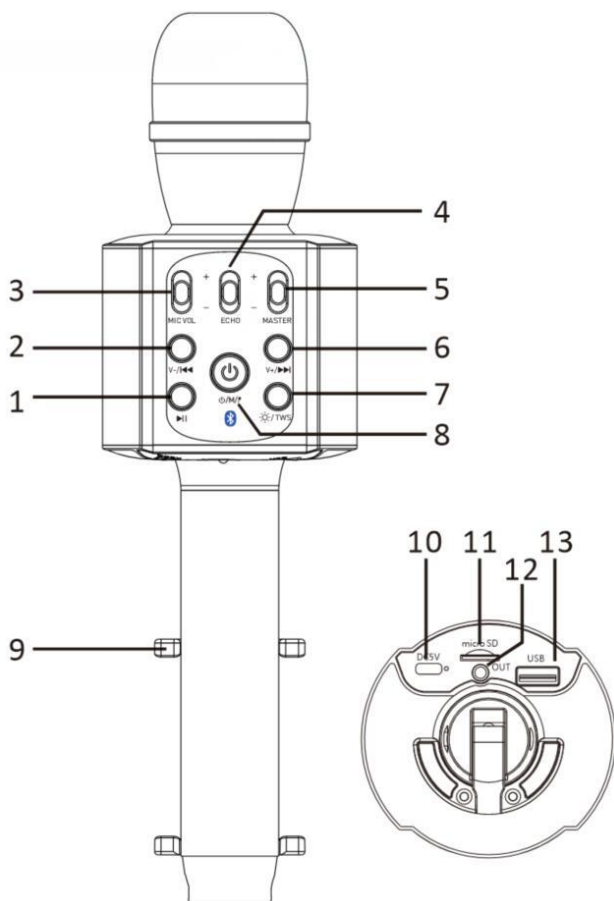
- caído objetos en el aparato; el aparato se ha expuesto a la lluvia o humedad; el aparato no funciona normalmente o se ha caído.
26. Una larga exposición a sonidos elevados de reproductores de música personales puede provocar una pérdida de audición temporal o permanente.
27. Si el producto viene con un cable de alimentación o un adaptador de corriente de CA:
- Si se produce cualquier problema, desconecte el cable de alimentación CA y remítalo a mantenimiento por parte de personal cualificado.
 - No pise o pince el adaptador de alimentación. Tenga mucho cuidado, en especial en las zonas alrededor de las tomas y el punto de salida del cable. No coloque objetos pesados en el adaptador de alimentación, ya que pueden dañarlo. ¡Mantenga el dispositivo fuera del alcance de los niños! Si juegan con el cable de alimentación, puede sufrir lesiones graves.
 - Desconecte el dispositivo durante tormentas eléctricas o cuando no vaya a usarse durante periodos prolongados de tiempo.
 - La salida de la toma debe instalarse cerca del equipo y debe ser fácilmente accesible.
 - No sobrecargue las tomas CA o los cables de extensión. La sobrecarga puede provocar un incendio o una descarga eléctrica.
 - Los dispositivos con construcción de Clase 1 deben estar conectados a una toma de corriente con una conexión a tierra protegida.
 - Los dispositivos con construcción de Clase 2 no requieren una conexión a tierra.
 - Sujete siempre el enchufe cuando los extraiga de la toma de corriente. No tire del cable de alimentación. Esto puede provocar un cortocircuito.
 - No utilice un cable de alimentación o enchufe deteriorado o una toma suelta. Si lo hace, podría provocar un incendio o una descarga eléctrica.
28. Si el producto contiene o se entrega con un mando a distancia que contiene pilas de botón / celdas:
- Advertencia:
- “Ni ingiera la pila, riesgo de quemadura química” o frase equivalente.
 - [El mando a distancia que se suministra] Este producto contiene una pila de tipo botón/moneda. Si la pila se traga, puede provocar graves quemaduras internas en sólo 2 horas y podría ocasionar la muerte.
 - Mantenga las pilas nuevas o usadas fuera del alcance de los niños.

- Si el compartimiento de las pilas no se cierra correctamente, deje de usar el producto y no lo deje al alcance los niños.
 - Si tiene la sospecha de que una pila ha sido ingerida o se encuentra en algún lugar del cuerpo, busque inmediatamente atención médica.
29. Precaución sobre el uso de las pilas:
- Existe riesgo de explosión si la pila no se sustituye correctamente. Sustitúyala únicamente con otra del mismo tipo u otro equivalente.
 - No se pueden exponer las pilas a temperaturas extremadamente altas o bajas, baja presión de aire a gran altitud durante el uso, almacenamiento o transporte.
 - Si cambia la pila por otra que no sea la correcta, se puede producir una explosión o la fuga de líquidos o gases inflamables.
 - Si arroja la pila al fuego o a un horno caliente, o aplasta o cortar mecánicamente una pila, podría provocar una explosión.
 - Si deja una pila en un lugar con temperaturas extremadamente altas, se puede producir una explosión o una fuga de líquido o gas inflamable.
 - Si se expone la pila a una presión de aire extremadamente baja, se puede producir una explosión o la fuga de líquidos o gases inflamables.
 - Se debe prestar atención a los aspectos medioambientales sobre la eliminación de baterías.

INSTALACIÓN

- Desembale todas las piezas y retire el material protector.
- No conecte la unidad a la corriente eléctrica antes de comprobar la tensión de la corriente y antes de que se hayan hecho todas las demás conexiones.

Ilustración



1. Botón Reproducir/Pausar
2. Canción anterior/ disminuye el nivel de volumen de la música
3. Volumen del micrófono +/-, interruptor deslizante
4. Eco +/-, interruptor deslizante
5. Volumen de música +/-, interruptor deslizante
6. Siguiete canción/ aumenta el volumen de la música
7. Apagar/encender luces LED (mantener presionado este botón para acceder a la función TWS)
8. Encendido / apagado; Modo: Bluetooth/tarjeta Micro SD/lector

USB; Magic voice. efectos mágicos de voz: Pulse este botón dos veces para entrar en el modo de efectos de Magic voice. Vuélvalo a pulsar brevemente para cambiar el efecto mágico de voz. Existen 3 efectos de voz diferentes. Vuélvalo a pulsar dos veces para apagar este modo.

9. Soporte para teléfono
10. Toma de carga USB-C
11. Toma de tarjeta microSD
12. Toma de salida de línea
13. Conexión USB

Paquete incluido

Cable USB-C para carga



Cable de salida auxiliar de 3,5 mm



Cargar


El micrófono puede cargarse mediante el cable USB que se incluye, que puede conectarse a un cargador doméstico USB u otro dispositivo con una función de carga USB.



Asegúrese de que el altavoz de karaoke esté completamente cargado antes de utilizarlo por primera vez.

- Conecte el producto con un cable USB-C.
- USB-Cen toma de carga (10)
- El indicador se iluminará en rojo cuando se esté cargando.
- El indicador se apagará cuando esté completamente cargado.

Bluetooth vinculado

1. Encender el micrófono (mantenga pulsado el botón ) , se encenderá la luz LED y lanzará el «modo Bluetooth».
2. Puede buscar «Lenco BMC-090» para conectarlo en su dispositivo. Una vez conectado correctamente, escuchará: «connected»
3. Si se le solicita una contraseña, introduzca «0000».
4. Aplique cualquier aplicación de karaoke o seleccione una canción del reproductor de música de su dispositivo y ajuste Volumen del micrófono, Eco, a la posición derecha.
5. Puede cantar con el micrófono.

«Este producto dispone de una función de **recepción** bluetooth, **no puede transmitir ningún sonido bluetooth con ella**: esto significa que puede recibir de forma inalámbrica una señal de sonido bluetooth desde una fuente externa como un smartphone».





Emparejamiento de 2 micrófonos con 1 smartphone (función TWS)

Es posible emparejar dos micrófonos de karaoke con un smartphone o tableta. Encienda los dos micrófonos (8) y asegúrese de que están en el modo Bluetooth. Si es la primera vez que los empareja, mantenga presionado el botón de luz LED (7) en ambos micrófonos para acceder a la función TWS. Al emparejarse, los micrófonos emitirán una señal. Luego emparéjelos con el smartphone o tableta.

Para desconectar los micrófonos, mantenga presionado el botón de luz LED (7) en una de las unidades o inserte una tarjeta micro SD o una memoria USB.

Para volver a conectarse, tan solo mantenga presionado el botón de luz LED en una de las unidades.

Modo tarjeta microSD

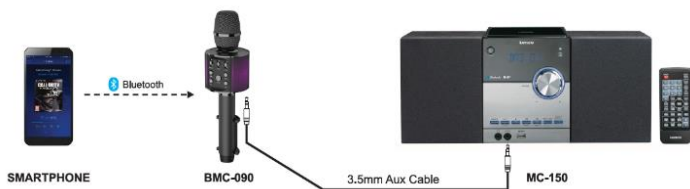
1. Encienda el micrófono, introduzca la tarjeta microSD precargada con canciones, escuchará «SD card mode» por el altavoz. El altavoz comenzará a reproducir canciones desde la tarjeta SD de forma automática.
2. Para ir a la siguiente canción: Pulse levemente el botón .
3. Para ir a la canción anterior: Pulse levemente el botón .
4. Para poner en pausa la pista: Pulse levemente el botón .
5. Para reproducir la pista: Pulse levemente el botón .

Modo memoria USB

1. Introduzca la memoria USB precargada en la toma USB y la música comenzará a reproducirse de forma automática.
2. Para ir a la siguiente canción: Pulse levemente el botón **▶▶**.
3. Para ir a la canción anterior: Pulse levemente el botón **◀◀**.
4. Para poner en pausa la pista: Pulse levemente el botón **▶||**.
5. Para reproducir la pista: Pulse levemente el botón **▶||**.

Modo salida de línea

Con el BMC-090, también puede reproducir la música y la voz del micrófono en un altavoz externo o en un conjunto micro HiFi. Solo tiene que conectar el cable AUX de 3,5 mm a la salida AUX del BMC-090 y al conector de entrada AUX del altavoz externo o del conjunto micro HiFi. Puede ajustar el volumen en el BMC-090 para micrófono y música.



EN	ES
Bluetooth	Bluetooth
SMARTPHONE	SMARTPHONE
BMC-090	BMC-090
3.5mm Aux Cable	Cable Auxiliar de 3,5mm
MC-150	MC-150

Karaoke con soporte

Compruebe que el altavoz esté en modo de emparejamiento, coloque su teléfono móvil en el soporte (el teléfono es más estable en el soporte sin una funda de teléfono). Puede elegir la canción favorita para karaoke, después puede ver las letras en el soporte mientras canta.

Ajuste de volumen mediante el karaoke

Se puede ajustar el volumen del micrófono y la música por medio de otro interruptor deslizante; con este interruptor no es posible ajustar el volumen del micrófono y la música por separado. Si desea ajustar el volumen de la música de forma que pueda oír mejor el micrófono puede

hacerlo pulsando durante un periodo prolongado de tiempo el botón Previous song (Canción anterior) (para disminuir el volumen); para aumentar el volumen pulse durante un periodo prolongado de tiempo el botón Next song (Siguiete canción). Asegúrese de que el interruptor de música esta fijado en el nivel máximo. Esto solo se aplica al modo SD/Salida de línea/USB ya que no disponen de un control de volumen separado.

Solución de problemas

La luz de encendido no está ENCENDIDA	Compruebe que el micrófono esté cargado
El micrófono no tiene sonido.	Encienda la alimentación y suba el control de volumen del micrófono.
El micrófono no tiene eco.	Suba el control de eco del micrófono, no coloque el altavoz sobre la mesa en estado de apertura de eco
El sonido tiene ruido.	Confirme si hay interferencias con el entorno.
La música no suena.	Ajuste el volumen de su teléfono o suba el control de volumen del micrófono

Especificaciones técnicas

- Nombre: Altavoz portátil Bluetooth de micrófono inalámbrico con soporte
- Artículo N.º: **Lenco BMC-090**
- Entrada de fuente: Tarjeta microSD/USB/BT/Linterna/LINE-OUT
- Entrada: 5 V CC; 500 mA
- Potencia de salida: 1 x 5 W
- Versión Bluetooth: V5.0
- Frecuencia inalámbrica: 2402-2480 MHz
- Tamaño del producto: 80 x 74 x 277 mm
- Peso: 407,6 g
- Alimentación LED: 800 mw
- Distorsión: <1 %
- Capacidad de la batería: 1200 mAh
- Material: ABS
- Tiempo de carga: Aproximadamente 4 horas
- Tiempo de reproducción: Aproximadamente 8 horas (el tiempo de reproducción depende del volumen y el LED)
- Distancia de transmisión: Aproximadamente 10 m
- Formato de audio SD/USB MP3
- Capacidad máxima de memoria USB 64 GB

1. Garantía

Lenco ofrece servicio y garantía en cumplimiento con las leyes de la Unión Europea, lo cual implica que, en caso de que su producto precise ser reparado (tanto durante como después del periodo de garantía), deberá contactar directamente con su distribuidor.

Nota importante: No es posible enviar sus reparaciones directamente a Lenco.

Nota importante: Si la unidad es abierta por un centro de servicio no oficial, la garantía quedará anulada.

Este aparato no es adecuado para el uso profesional. En caso de darle un uso profesional, todas las obligaciones de garantía del fabricante quedarán anuladas.

2. Exención de responsabilidad

Regularmente se llevan a cabo actualizaciones en el Firmware y en los componentes del hardware. Por esta razón, algunas de las instrucciones, especificaciones e imágenes incluidas en este documento pueden diferir ligeramente respecto a su situación particular. Todos los elementos descritos en esta guía tienen un objetivo de mera ilustración, y pueden no ser de aplicación en su situación particular. No se puede obtener ningún derecho ni derecho legal a partir de la descripción hecha en este manual.

3. Eliminación del antiguo dispositivo



Este símbolo indica que no deberá deshacerse del producto eléctrico o batería en cuestión junto con los residuos domésticos, en el ámbito de la UE. Para garantizar un tratamiento residual correcto del producto y su batería, por favor, elimínelos cumpliendo con las leyes locales aplicables sobre requisitos para el desechado de equipos eléctricos y baterías. De hacerlo, ayudará a conservar recursos naturales y mejorar los estándares de protección medioambiental en el tratamiento y eliminación de residuos eléctricos (Directiva sobre la Eliminación de Equipos Eléctricos y Electrónicos).

4. DECLARACIÓN DE CONFORMIDAD

Por la presente, Commaxx declara que el tipo de equipo radioeléctrico [Lenco BMC-090(V2)] es conforme con la Directiva 2014/53/UE. El texto completo de la declaración UE de conformidad está disponible en la dirección Internet siguiente:

https://commaxx-certificates.com/doc/bmc-090_doc.pdf

Tipo de radiofrecuencia	Rango de frecuencia (MHz)	Potencia (dBm)
Bluetooth	2402-2480	< 6

5. Service (Servicio)

Para obtener más información y soporte del departamento técnico, por favor, visite la página web www.lenco.com

Commaxx B.V. Wiebachstraat 37, 6466 NG Kerkrade, Países Bajos.