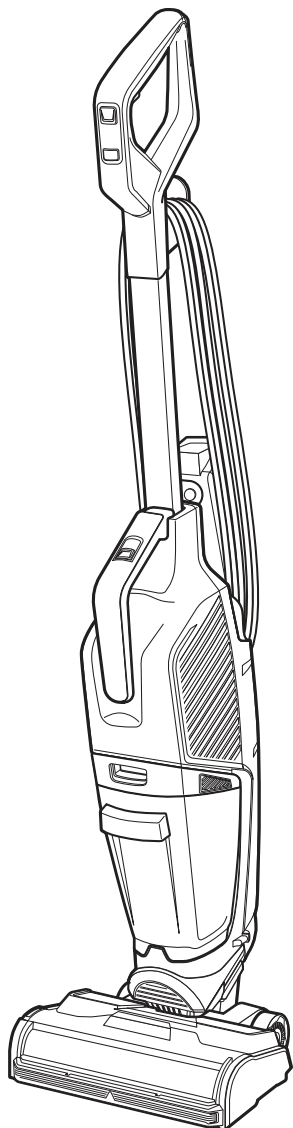


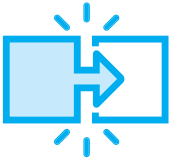


bissell®

CROSSWAVE® HYDROSTEAM™

3517, 3527, 3528 SERIES





..... 4



..... 5



..... 6



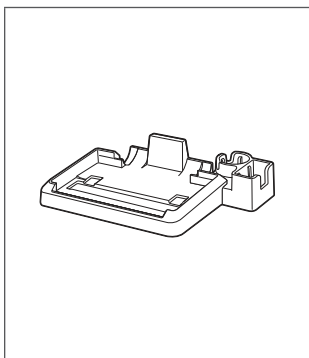
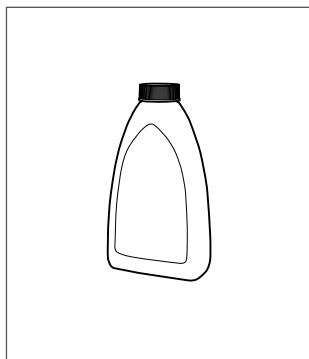
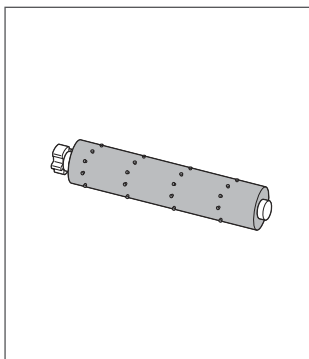
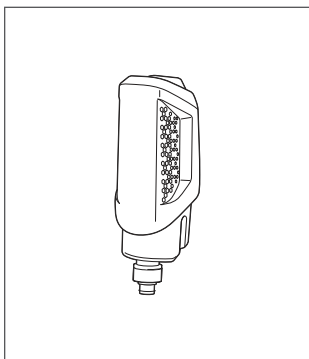
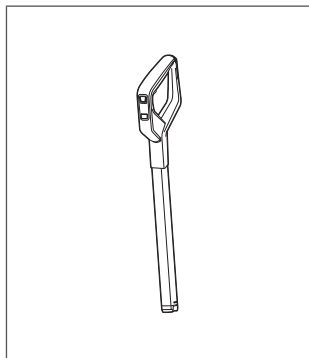
..... 8

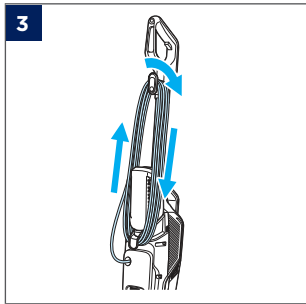
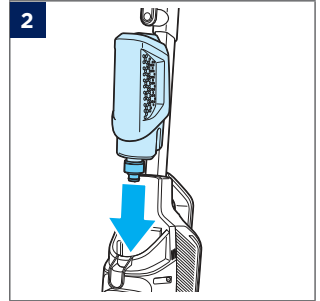
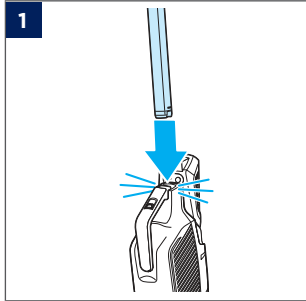
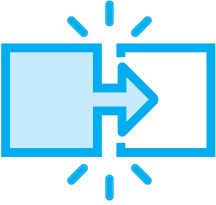


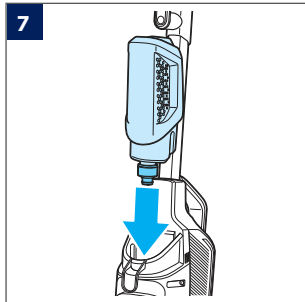
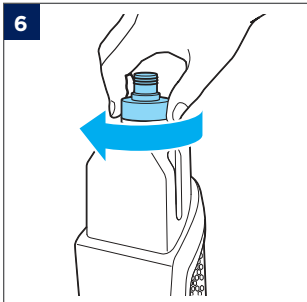
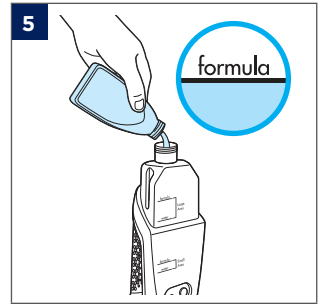
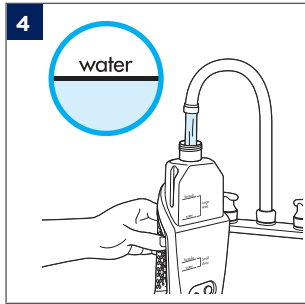
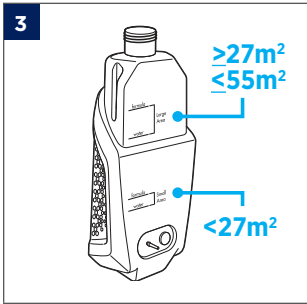
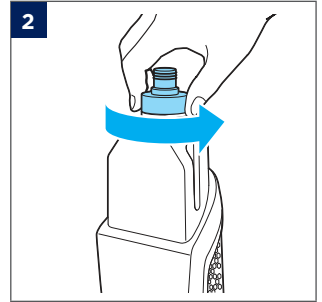
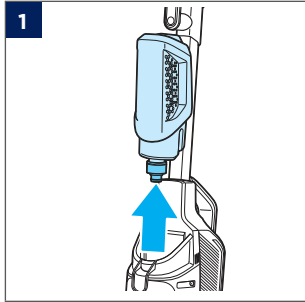
..... 9



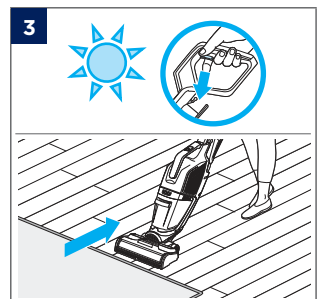
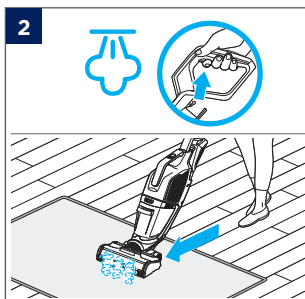
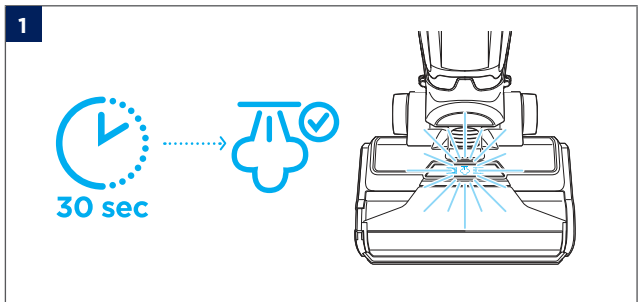
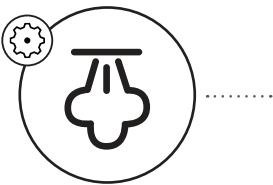
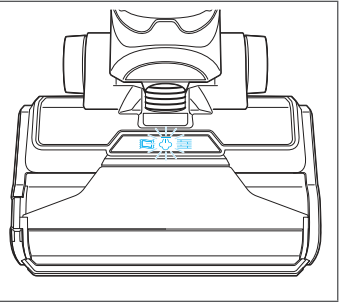
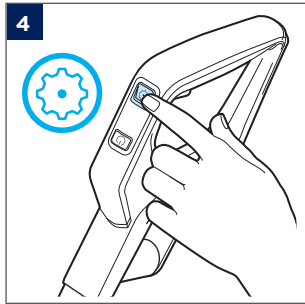
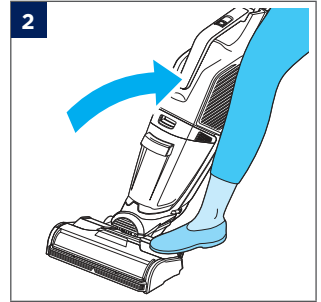
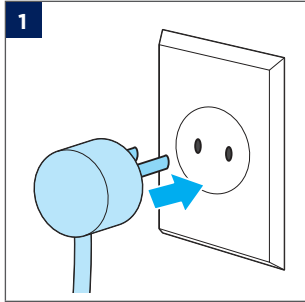
..... 10

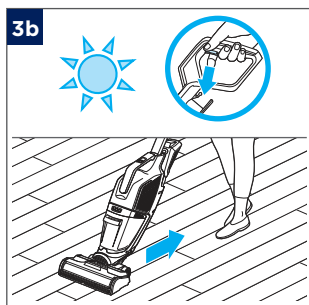
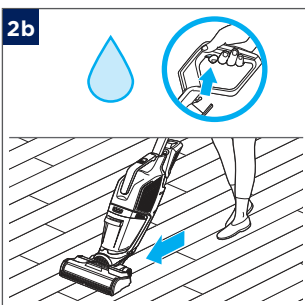
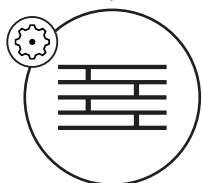
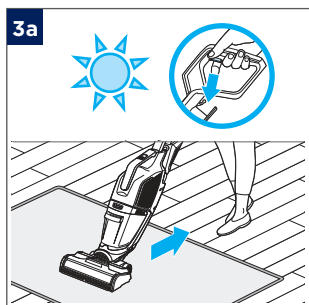
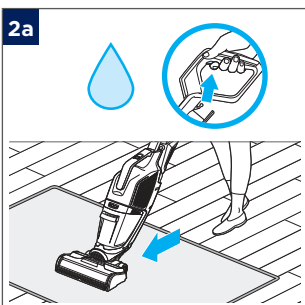
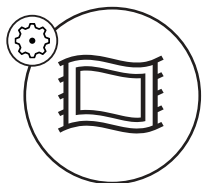
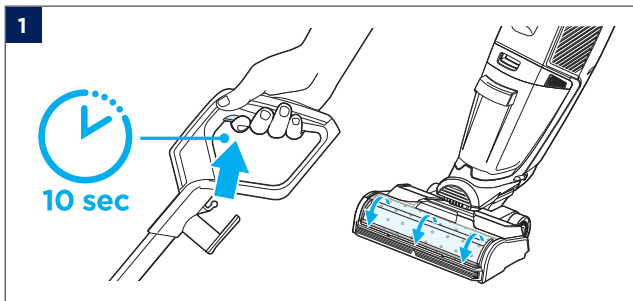
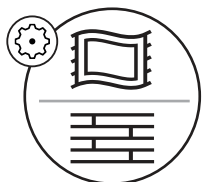


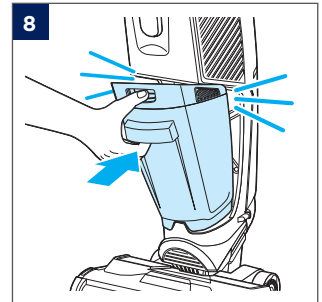
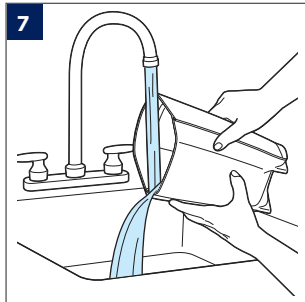
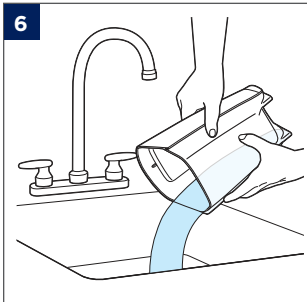
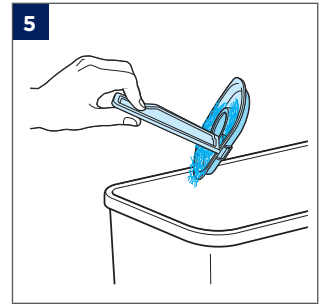
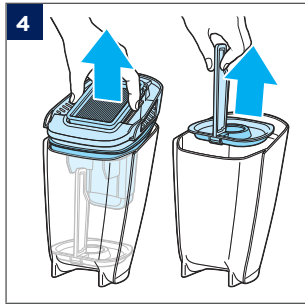
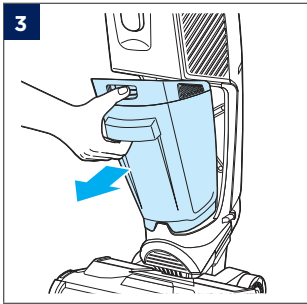
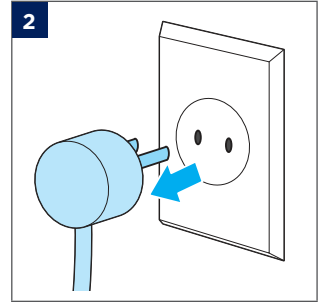
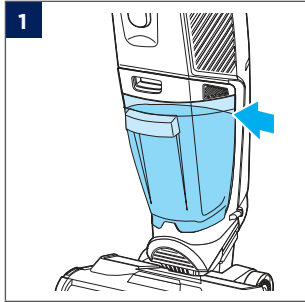


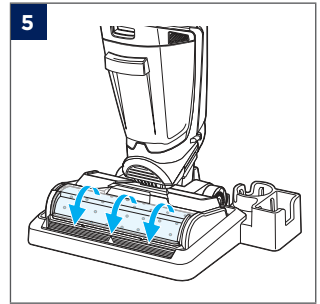
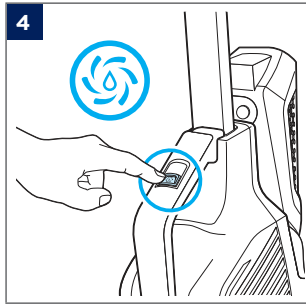
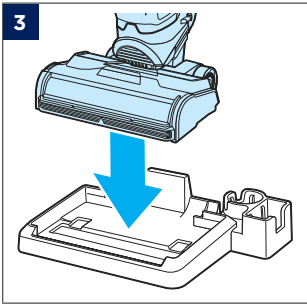
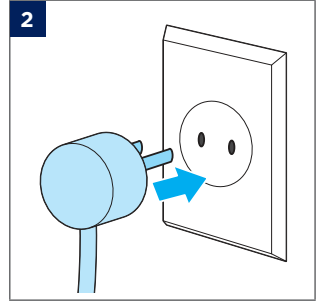
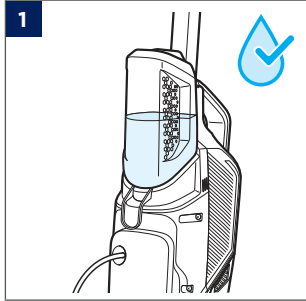


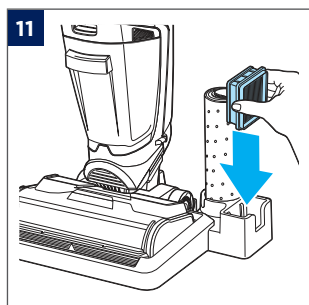
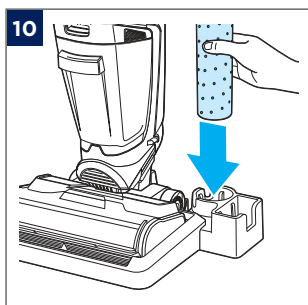
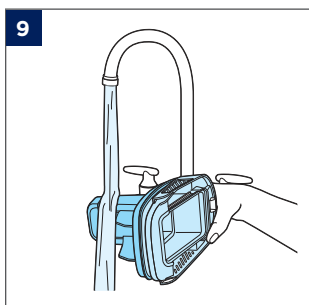
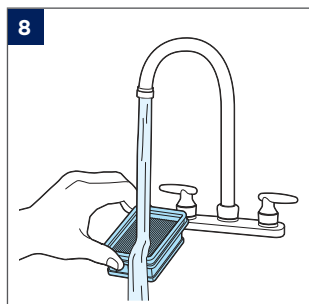
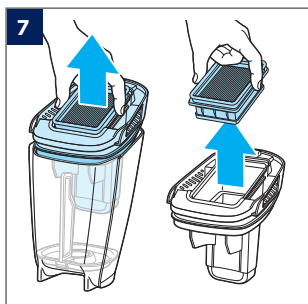
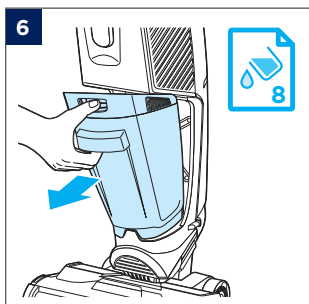
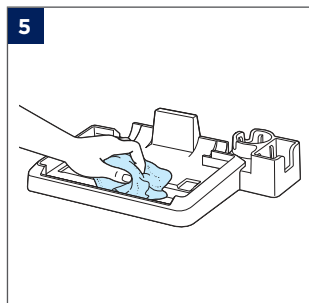
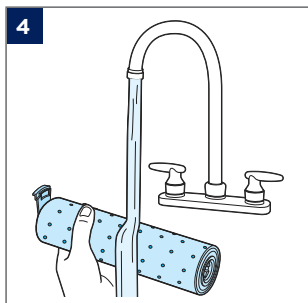
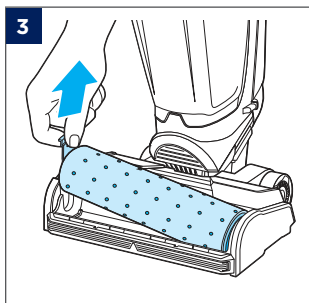
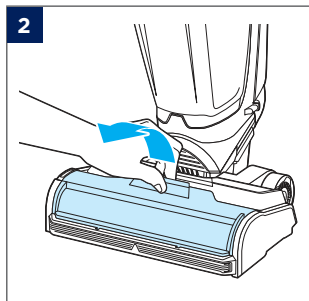
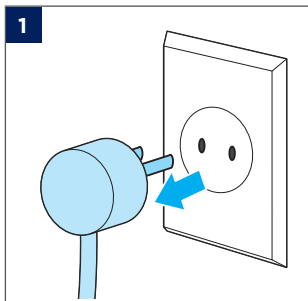
Natural Multi-Surface Cleaning Solution, Natural Multi-Surface Pet Cleaning Solution, Multi-Surface Cleaning Solution, Multi-Surface Pet Cleaning Solution, Wood Floor Cleaning Solution

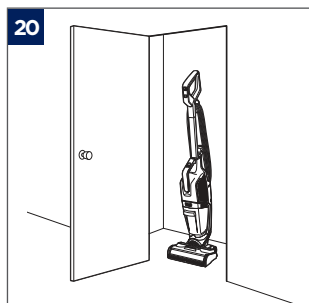
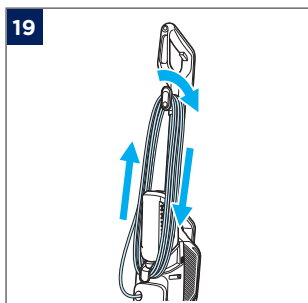
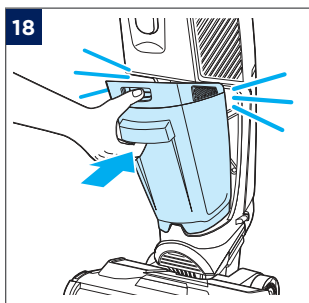
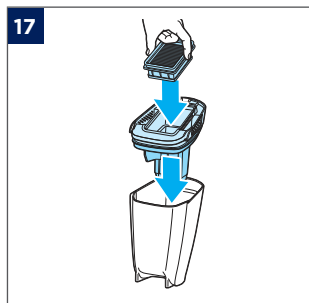
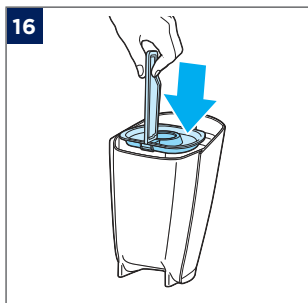
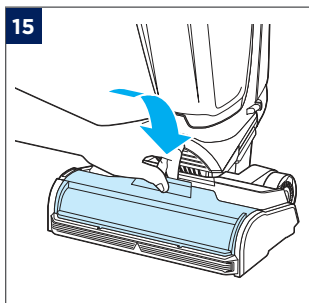
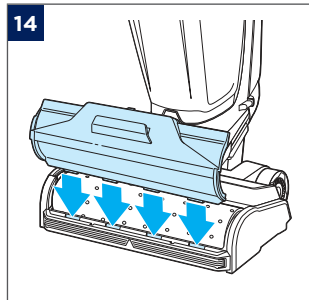
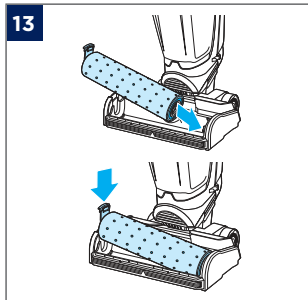
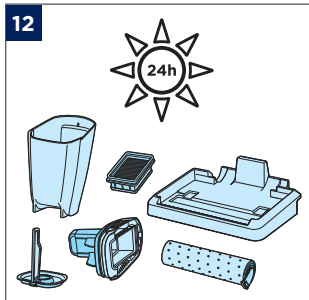
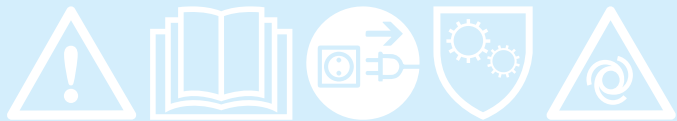














©2023 BISSELL Inc. All rights reserved.
Part Number 1633122 03/23 v17
global.BISSELL.com