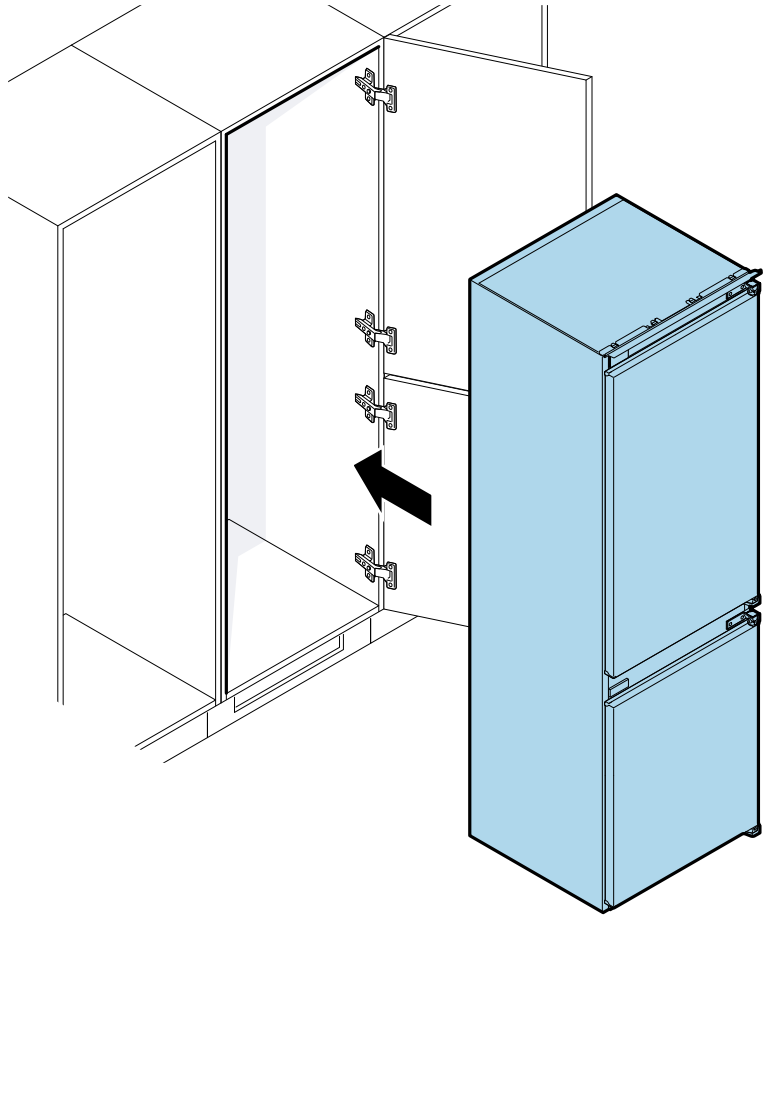
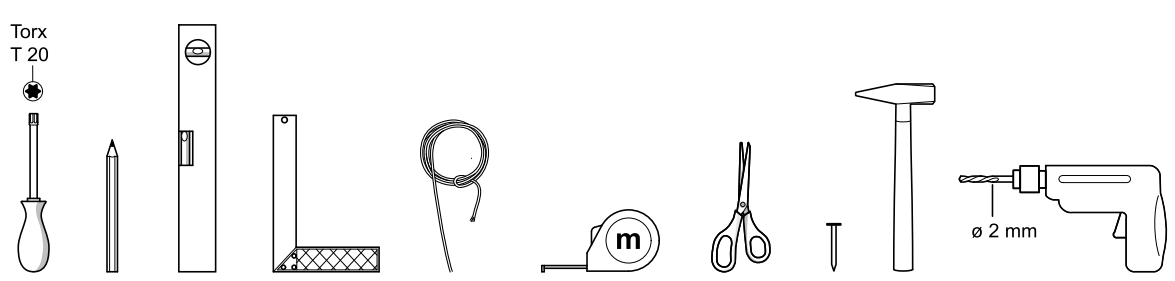
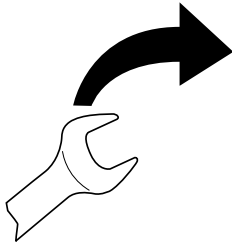
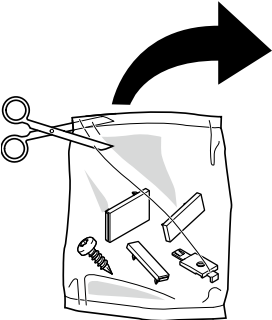
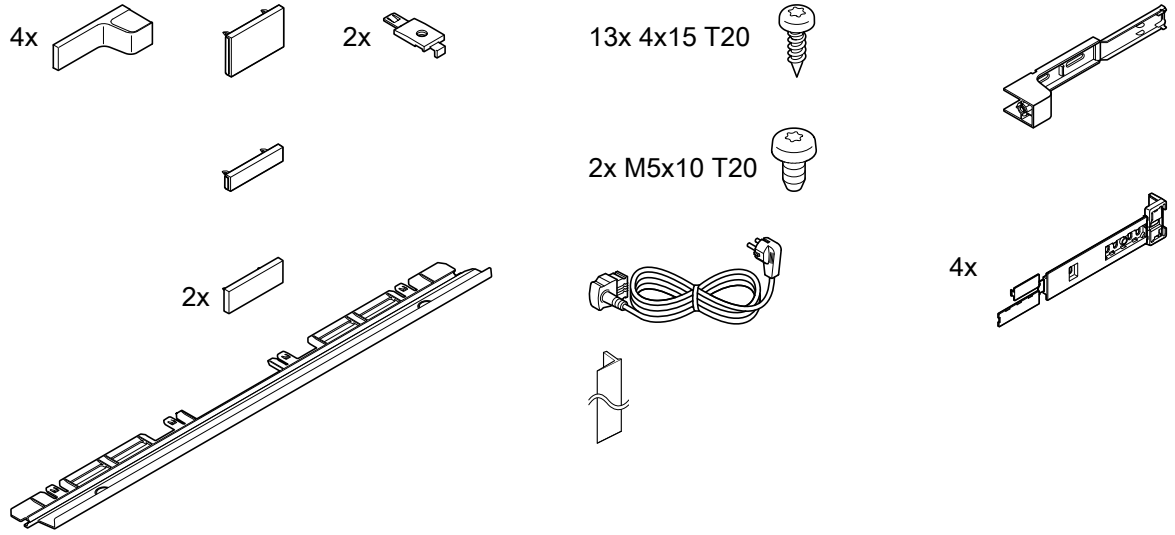


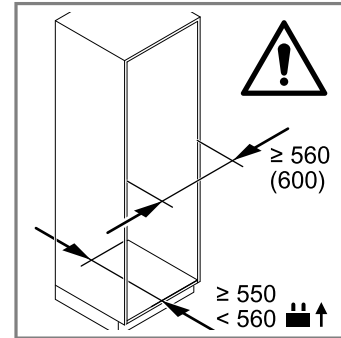
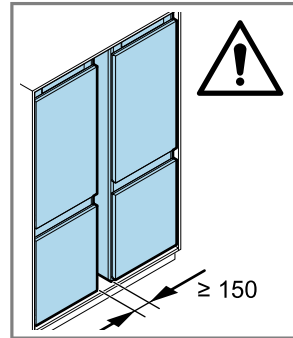
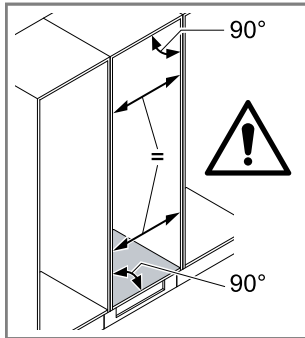
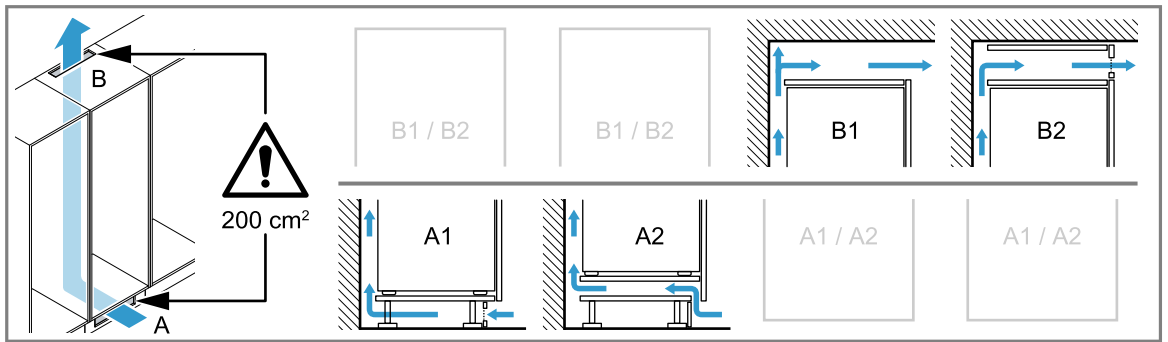
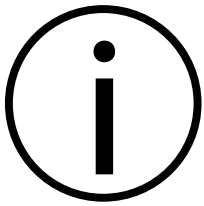
9001805554 (021108)

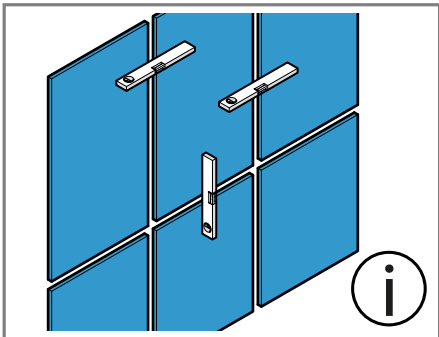
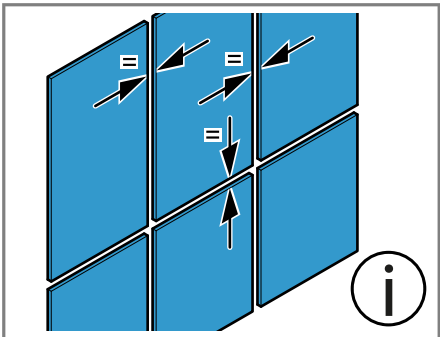
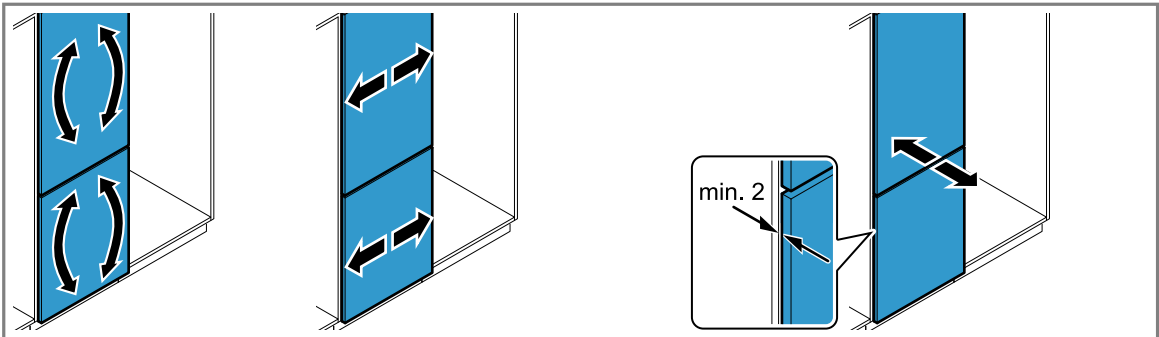
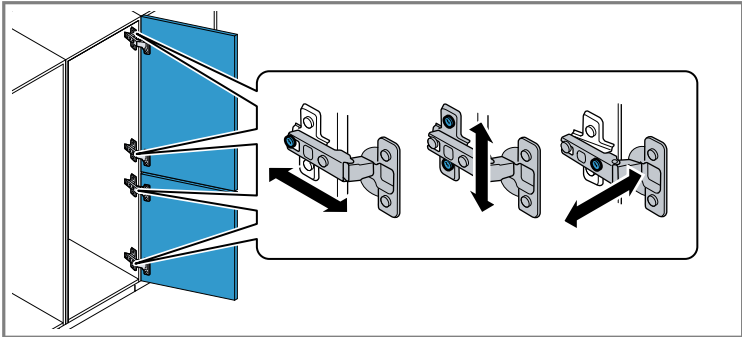


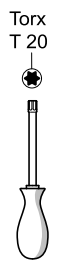
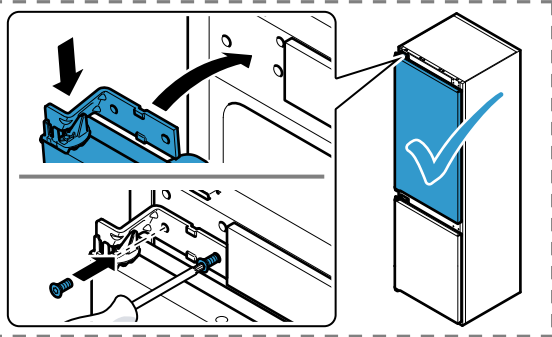
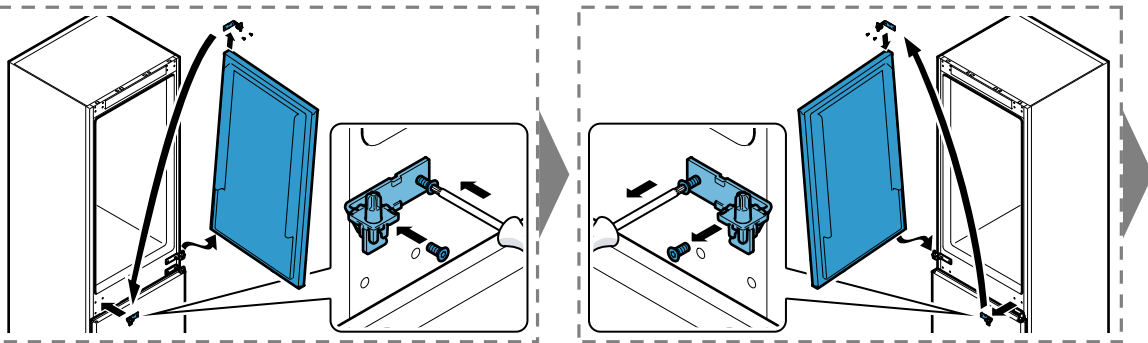
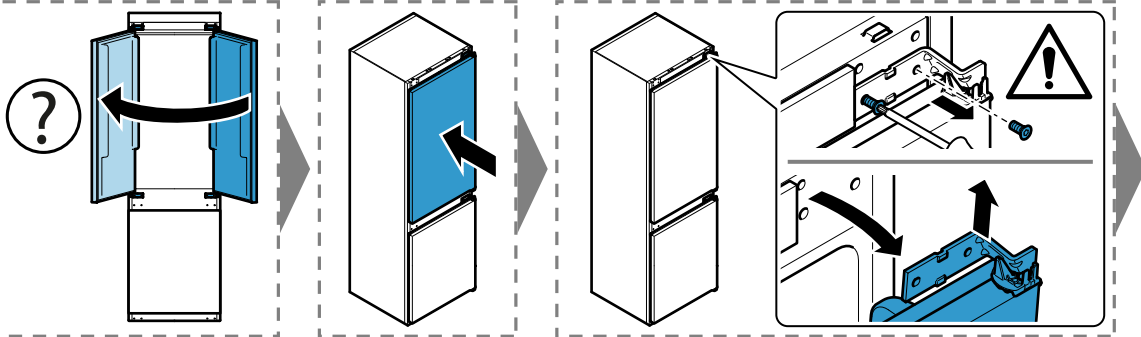
mm

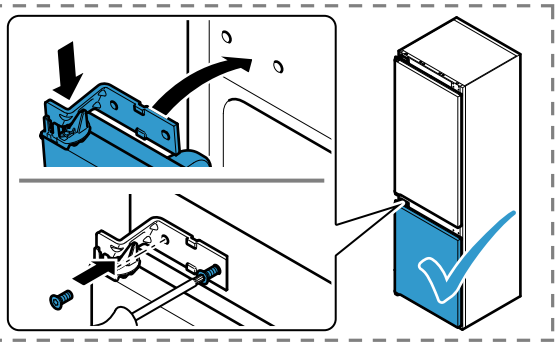
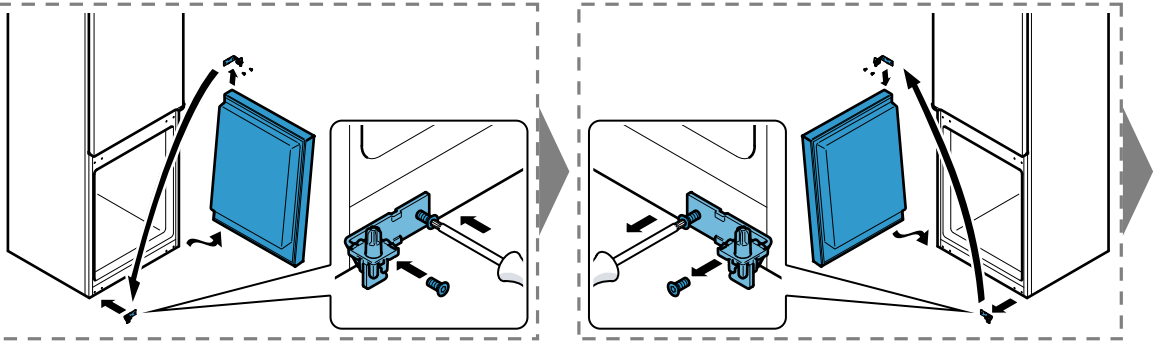
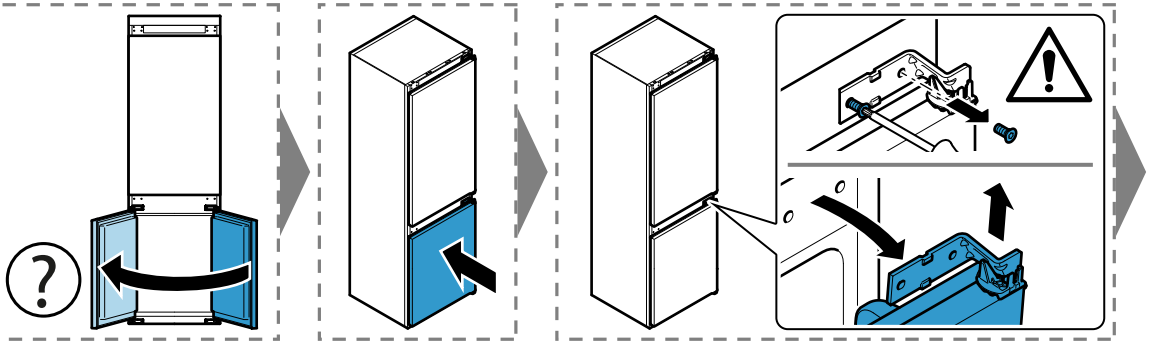








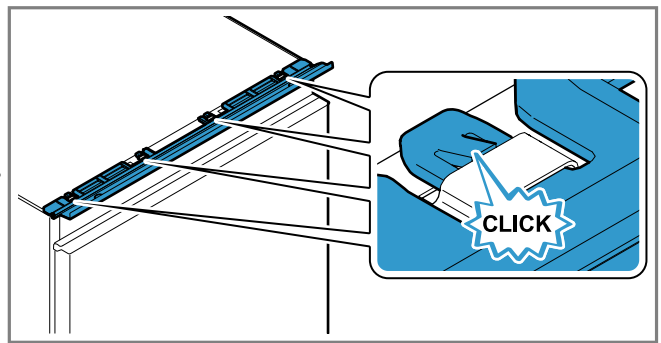
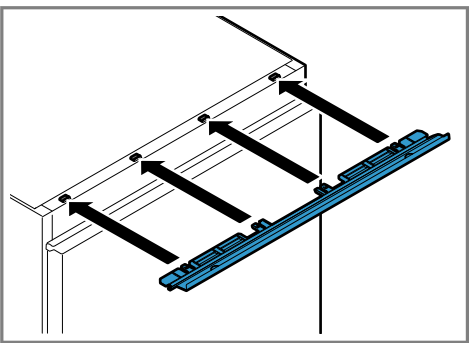
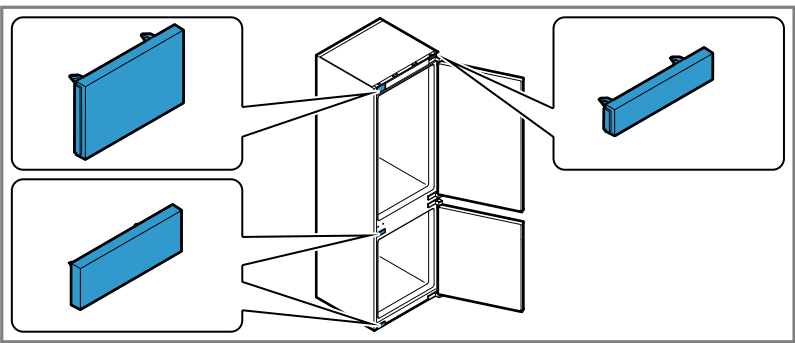
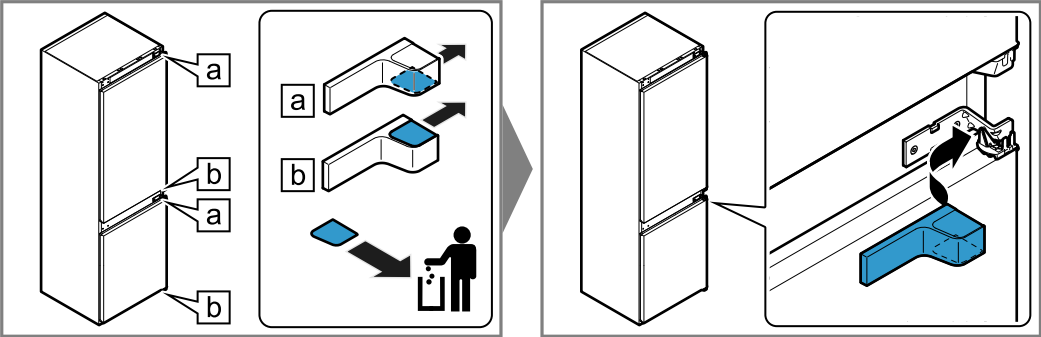
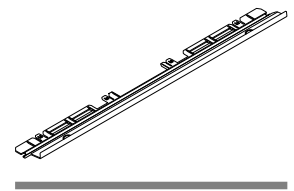


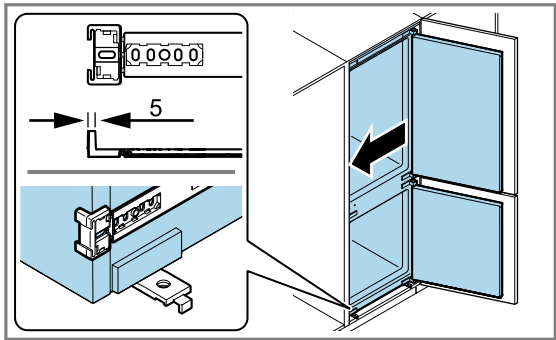
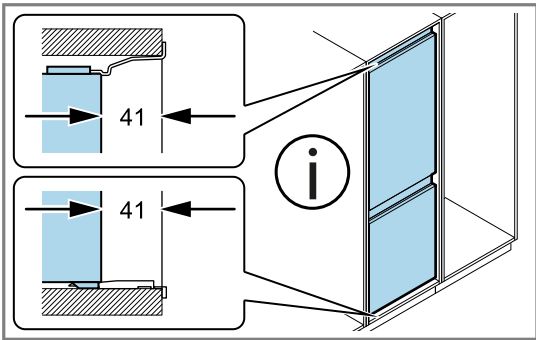
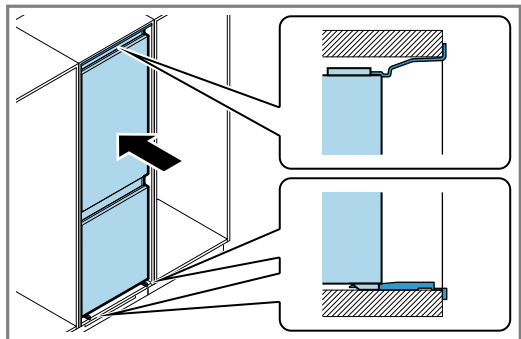
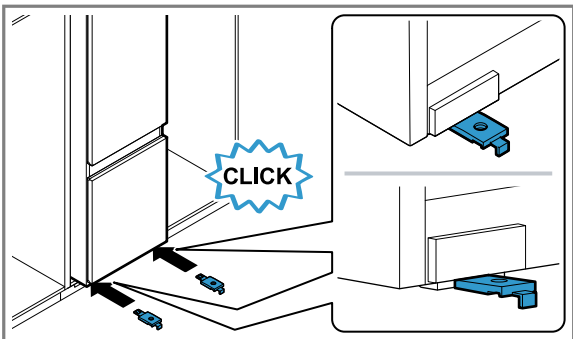
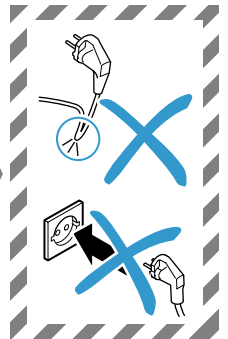
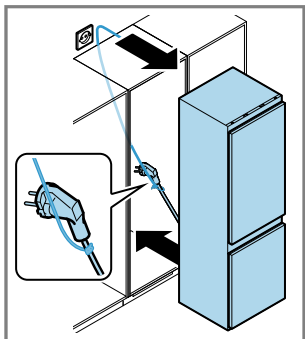
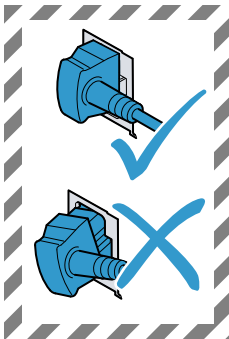
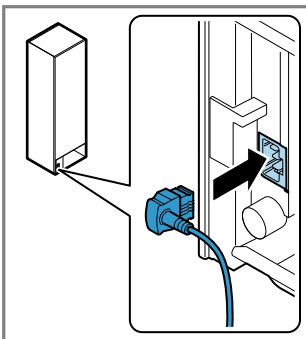
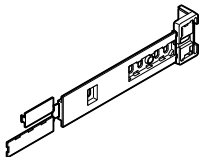


4x

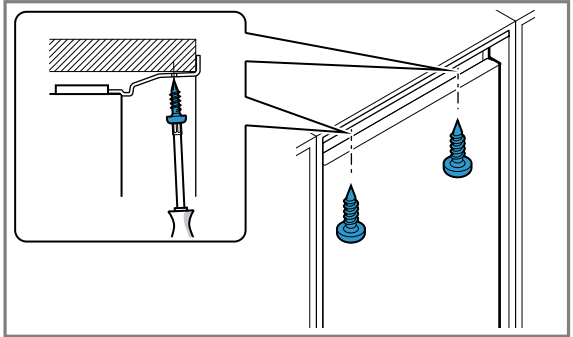
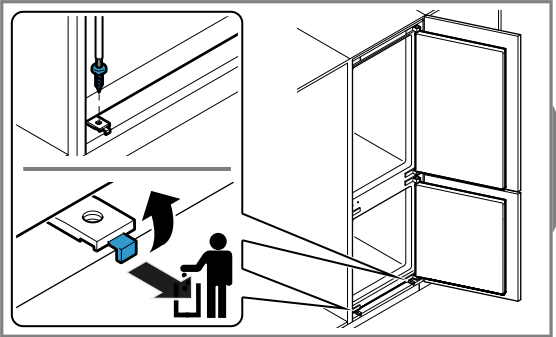


2x





4x



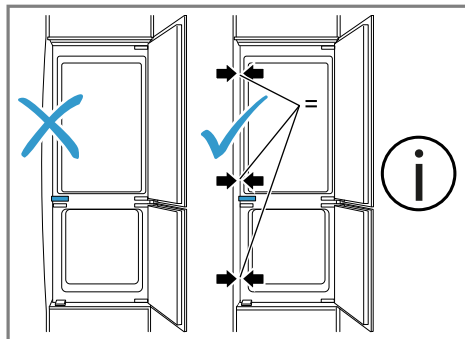
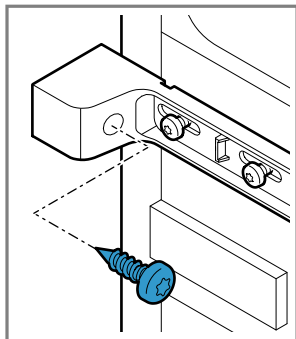
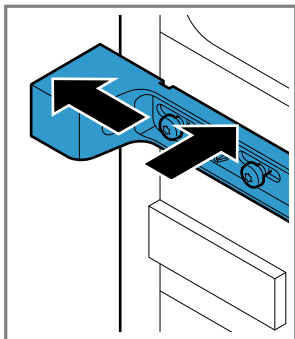
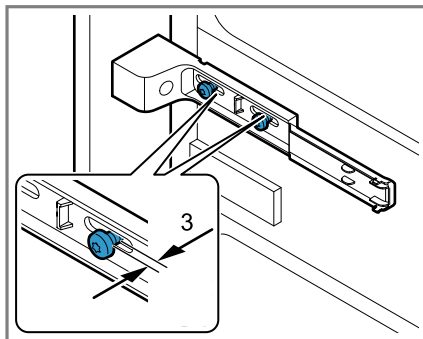
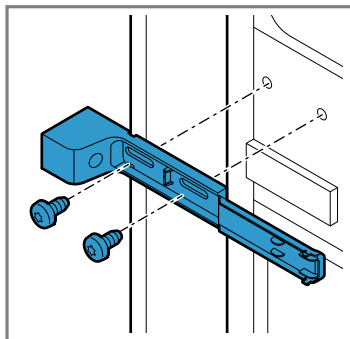
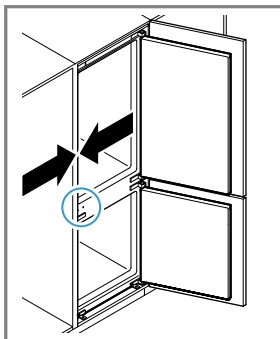
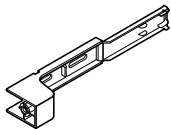
Torx

T 20

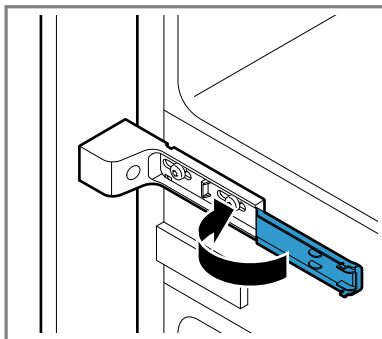
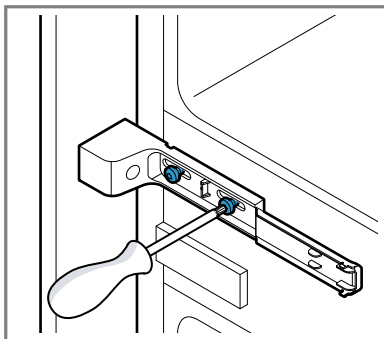


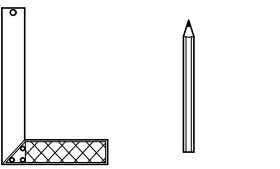
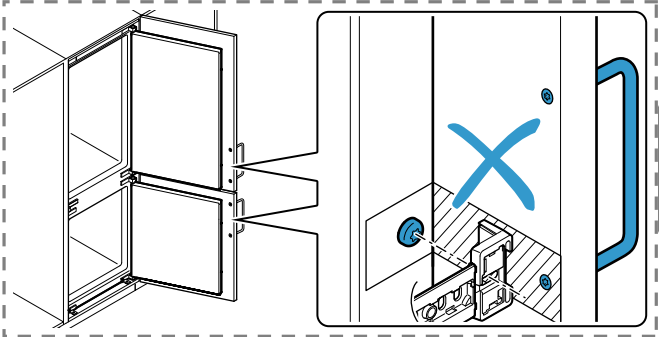
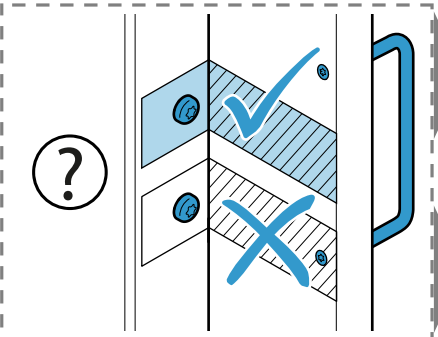
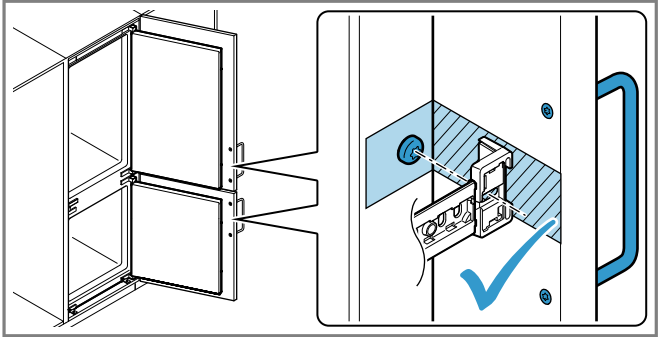
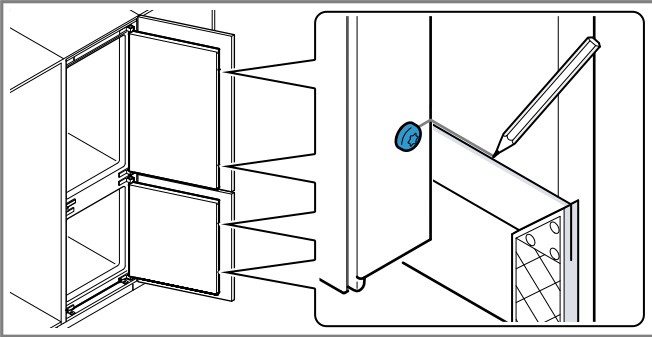
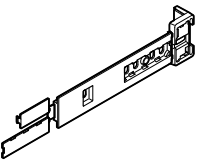


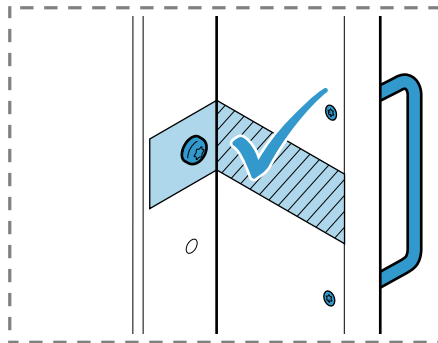
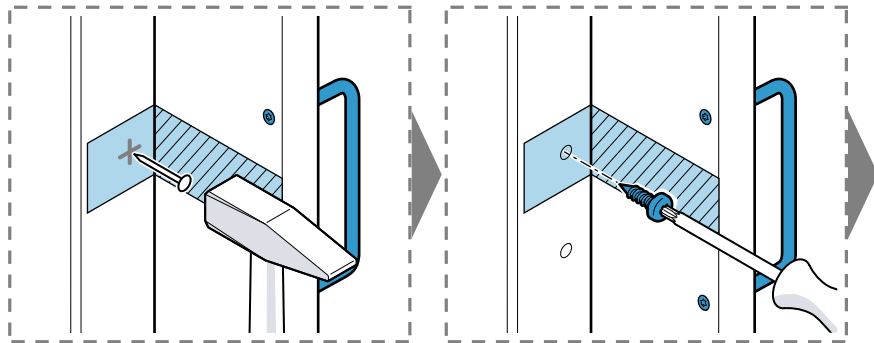
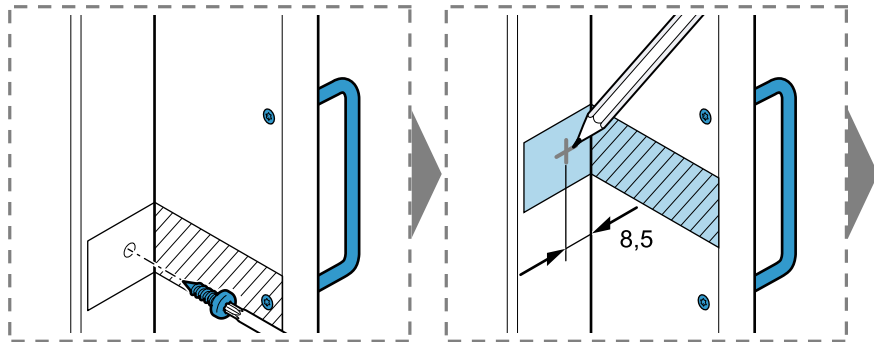
2x



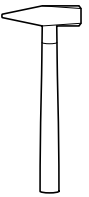
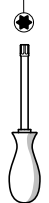
Torx
T 20



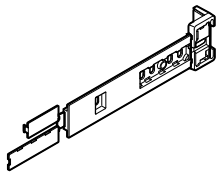




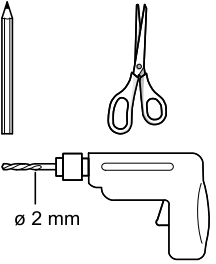
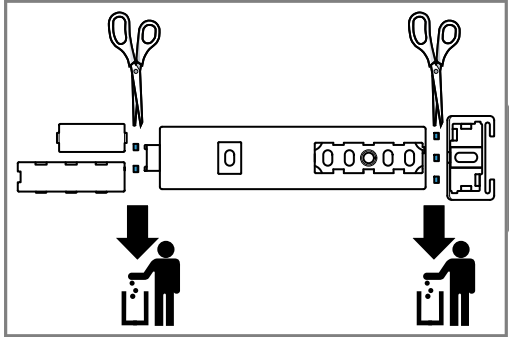
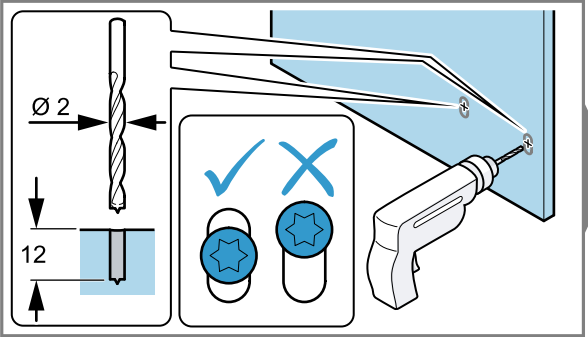
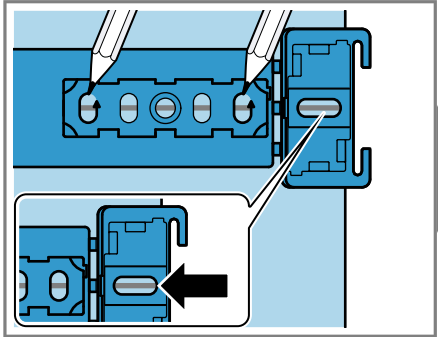
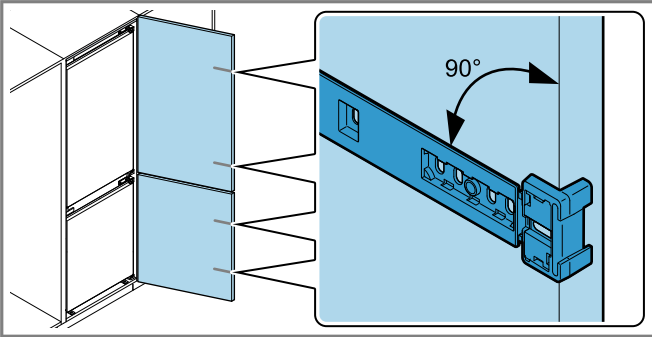
Torx
T 20



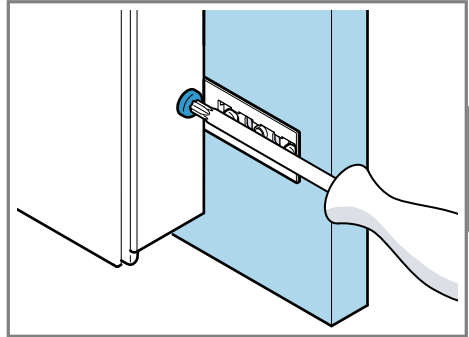
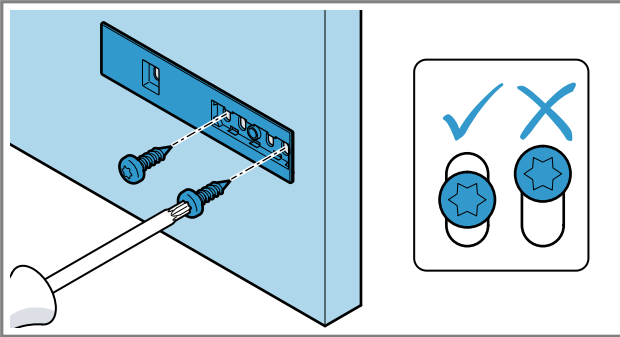
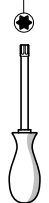
4x



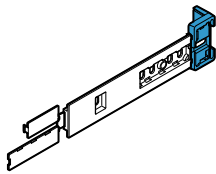
8x



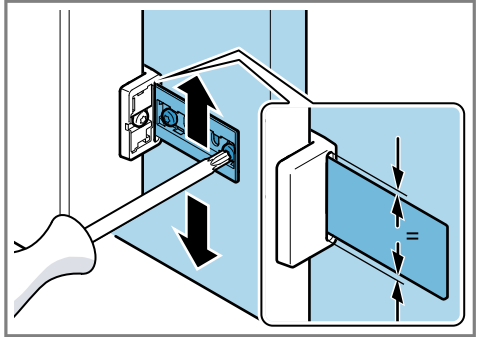
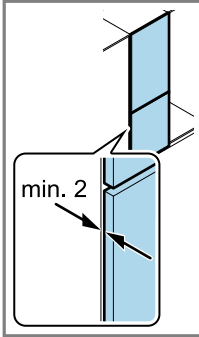
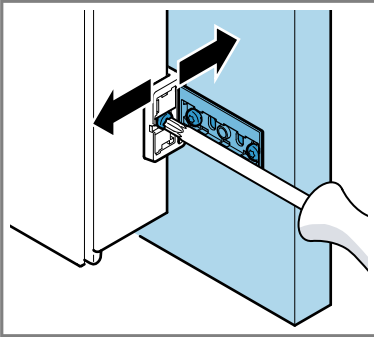
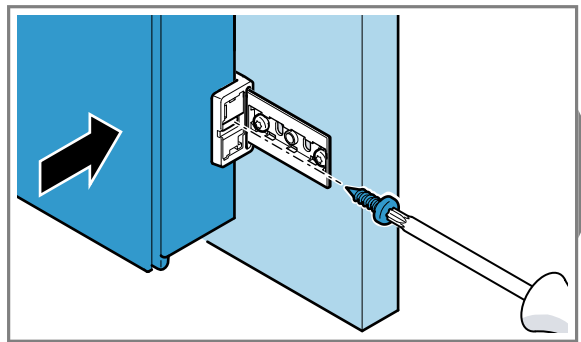
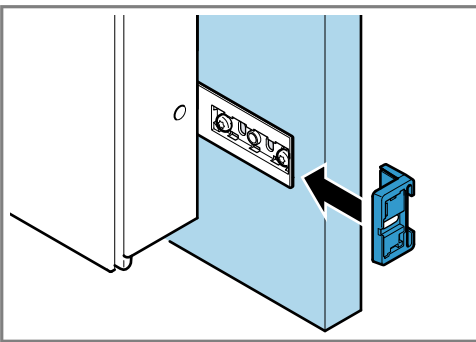
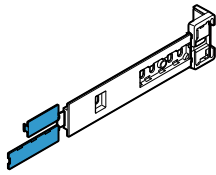
Torx
T 20



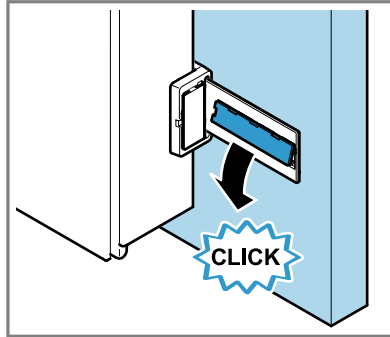
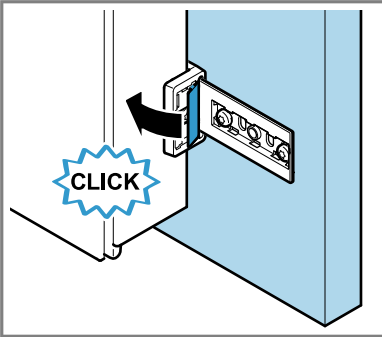
4x

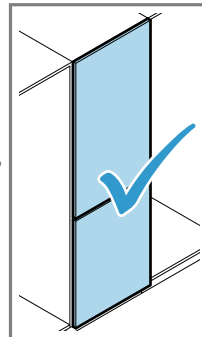
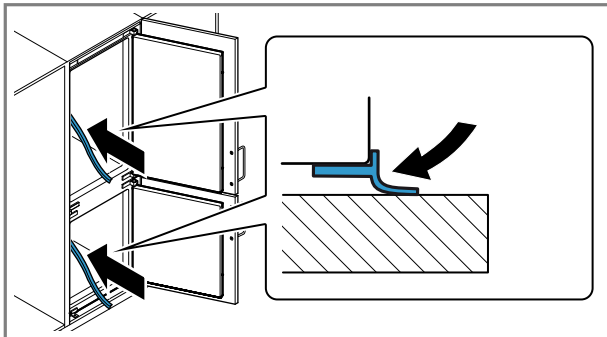
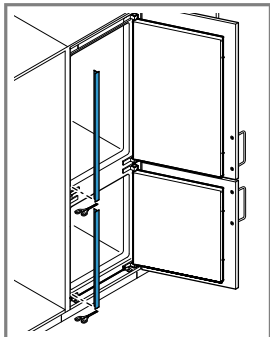


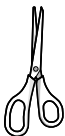
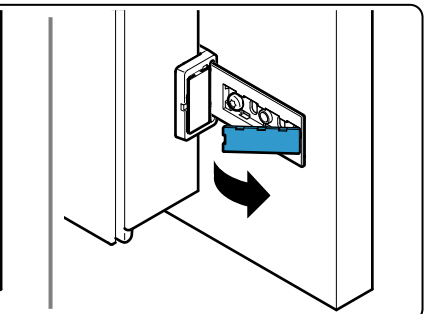
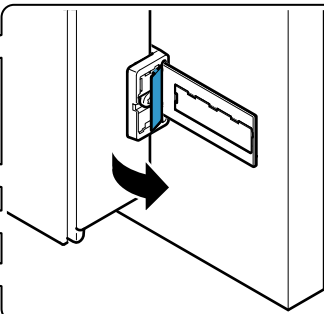
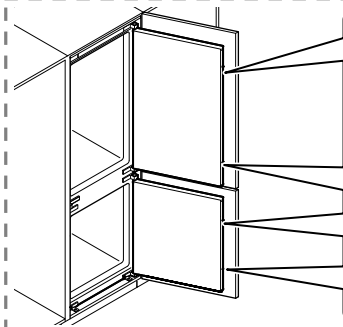
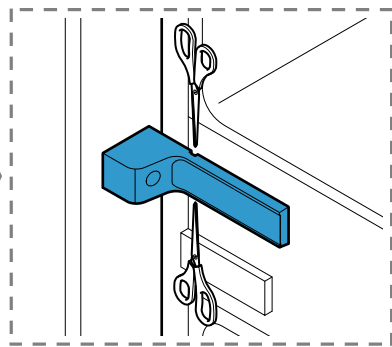
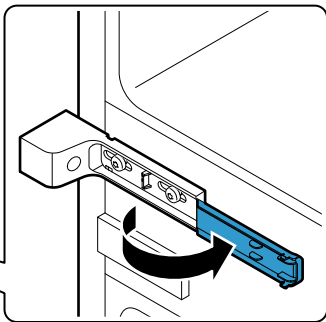
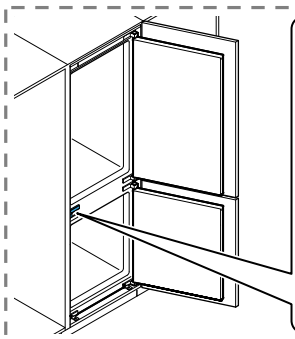
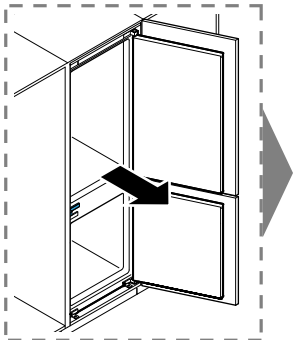
4x

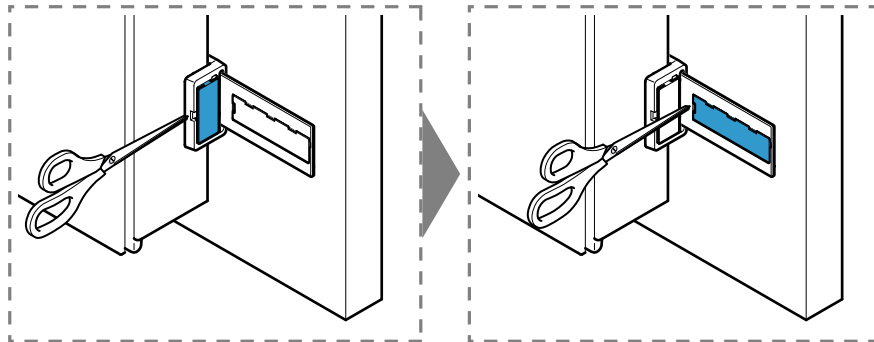


Torx
T 20











A series of horizontal lines for writing, starting from a vertical margin line on the left and extending across the page.

