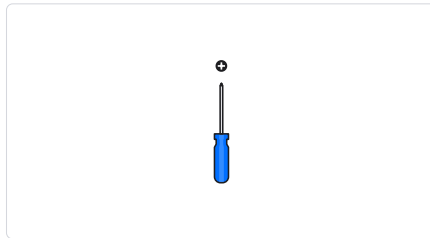
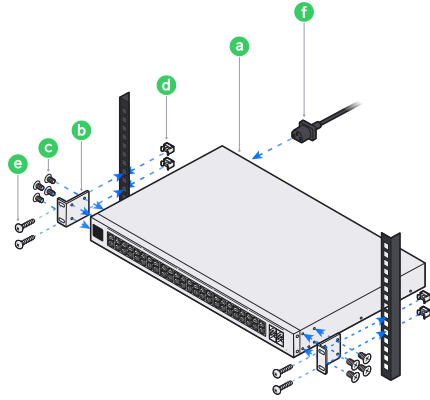
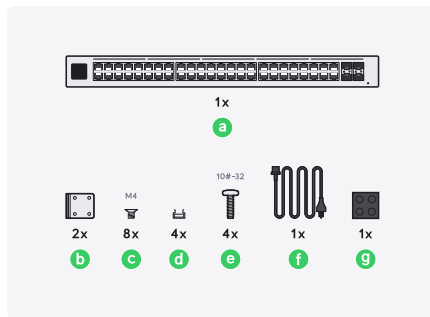
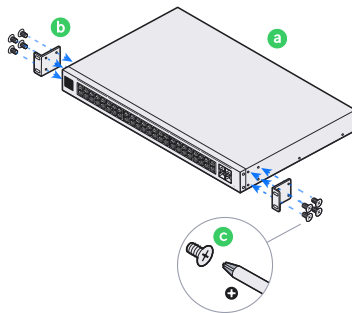
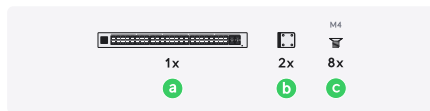




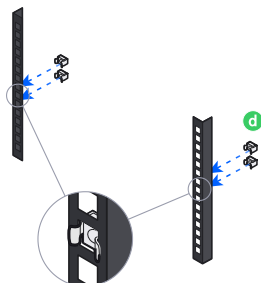
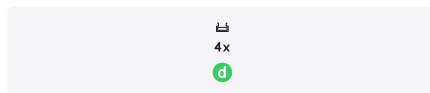
Pro Max 48



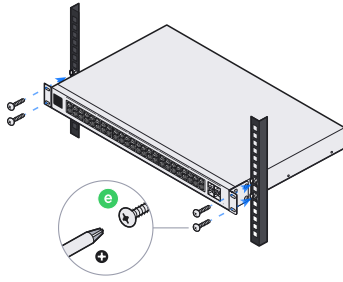
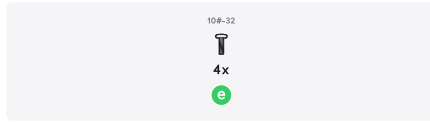
1



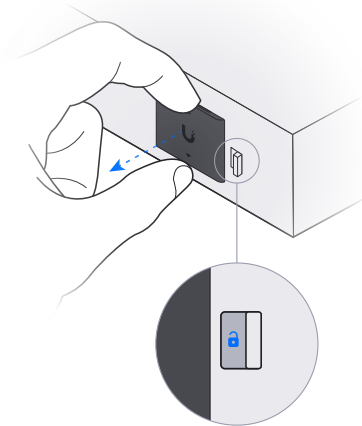
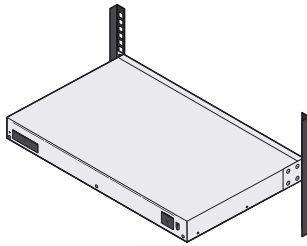
2



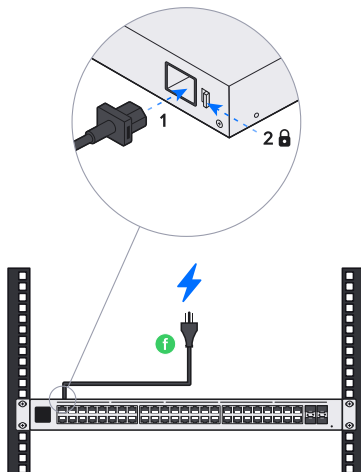
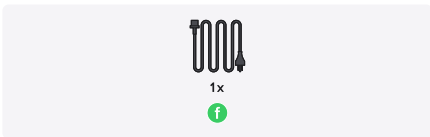
3



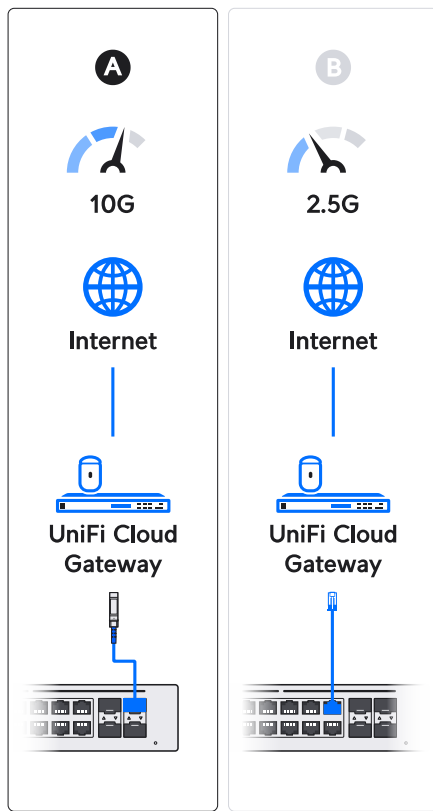
4



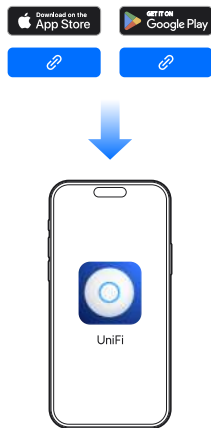
5



6



7



If you need further assistance, visit our [Help Center](#) or contact [Ubiquiti Support](#).

©2020 Ubiquiti Inc. All rights reserved. Ubiquiti, the Ubiquiti logo and UniFi are trademarks or registered trademarks of Ubiquiti Inc. in the United States and/or other countries. Apple and the Apple logo are trademarks of Apple Inc., registered in the U.S. and other countries. The iPhone is a service mark of Apple Inc., registered in the U.S. and other countries. Android, Google, Google Play and the Google Play logo are trademarks of Google Inc.