



# NINJAGO

DRAGONS RISING

71828



LEGO® Builder



[LEGO.com/sustainable-packaging](https://LEGO.com/sustainable-packaging)

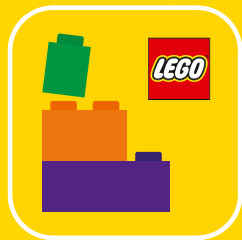


**FR**  
**DONNEZ**  
OU  
**RECYCLEZ**

 OU  OU 

ASSOCIATION MAGASIN DÉCHÈTERIE

Adresses sur [quefairedemesdechets.fr](https://quefairedemesdechets.fr)



Q LEGO® Builder

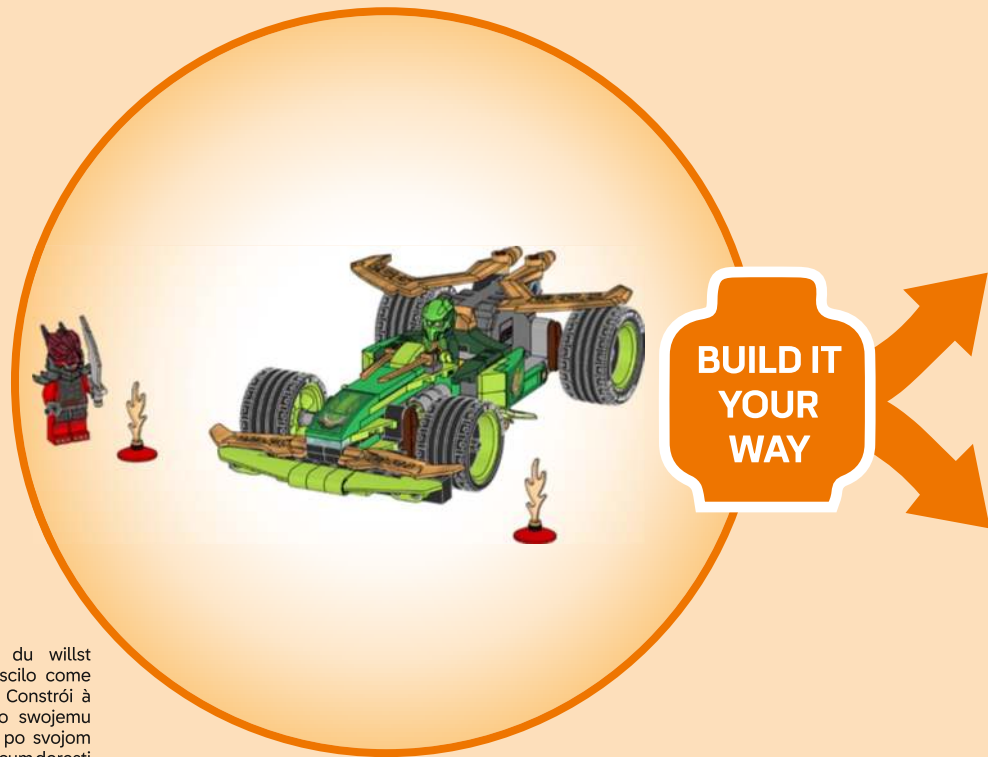
# BUILDER



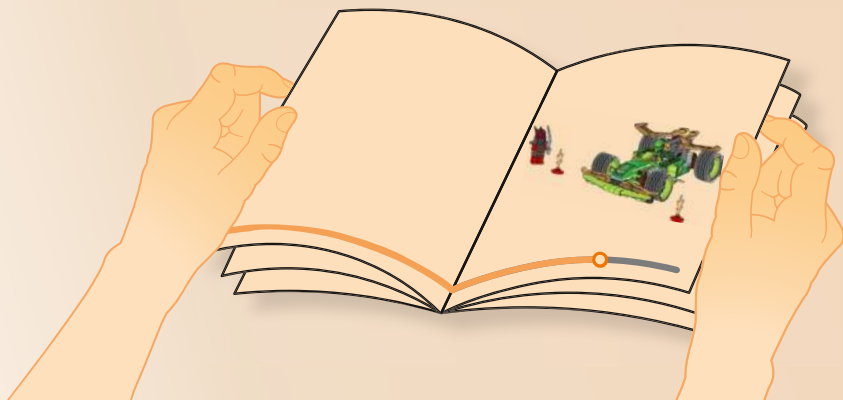
Apple and the Apple logo are trademarks of Apple Inc., registered in the U.S. and other countries and regions. App Store is a service mark of Apple Inc. Google Play and the Google Play logo are trademarks of Google LLC. Tencent and the Tencent logo are trademarks of Tencent Inc.

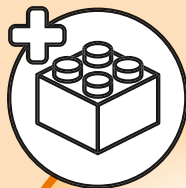
EN Ask parents' permission before going online | DE Eltern um Erlaubnis bitten, bevor du online gehst | FR Demande l'autorisation d'un parent avant d'aller en ligne | IT Chiedi il permesso ai tuoi genitori prima di andare online | ES Pídeles permiso a tus papás antes de conectarte a Internet | PT Pede autorização aos pais antes de acederes online | ZH 上网前应先征得父母的同意 | PL Poproś rodziców o zgodę, zanim wejdiesz do Internetu | CS Než půjdeš na internet, požádej rodiče o svolení | SK Skôr než pôjdeš na internet, vypýtaj si povolenie od rodičov | HU Kérj szülői engedélyt, mielőtt online csatlakoznál! | RO Cere permisiunea părinților înainte de a te conecta online | BG Поискайте разрешение от родител, преди да влезете онлайн | LV Pirms došanās tiešsaistē palūdz atļauju vecākiem | ET Enne Interneti kasutamist küsi vanematelt luba | LT Prieš prisijungdami prie interneto, atsiklauskite tėvų

Q [LEGO.com/devicecheck](https://www.lego.com/devicecheck)



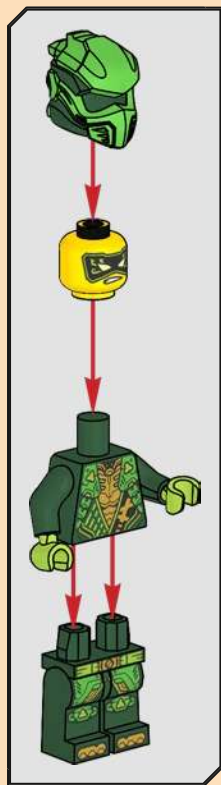
**EN** Build It Your Way | **DE** Bau, wie du willst  
| **FR** Construisez à votre façon | **IT** Costruiscilo come  
vuoi tu | **ES** Constrúyelo a tu manera | **PT** Constrói à  
Tua Maneira | **ZH** 自由拼搭 | **PL** Zbuduj po swojemu  
| **CS** Postavte to po svém | **SK** Postavte to po svojom  
| **HU** Építs kedved szerint! | **RO** Construięște așa cum dorești  
| **BG** Постройте го по своя начин | **LV** Būvē tieši tā, kā  
vēlies | **ET** Ehita enda moodi | **LT** Sukonstruokite savaip

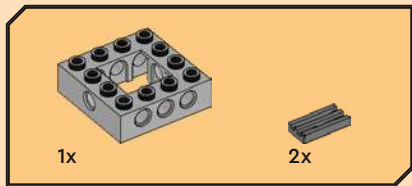




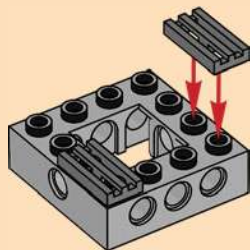
1x



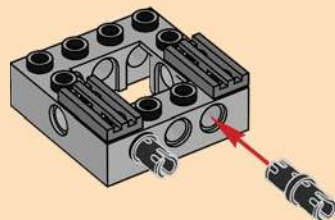


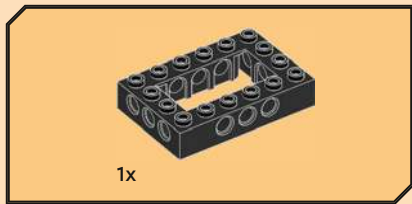


1

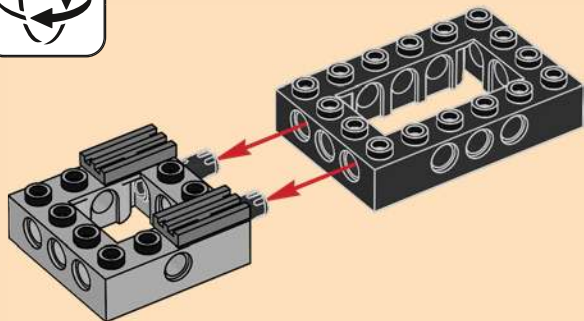


2

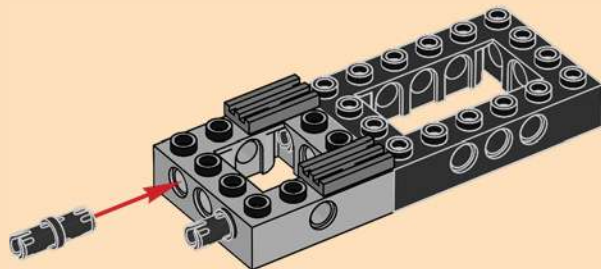


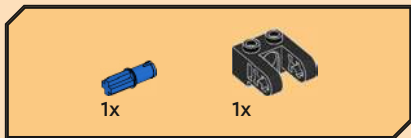


3

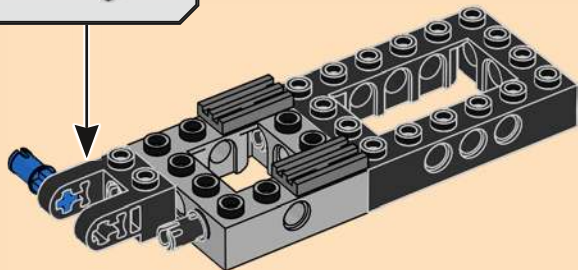
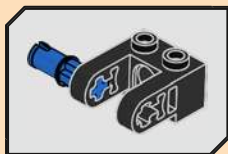


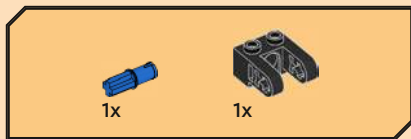
4



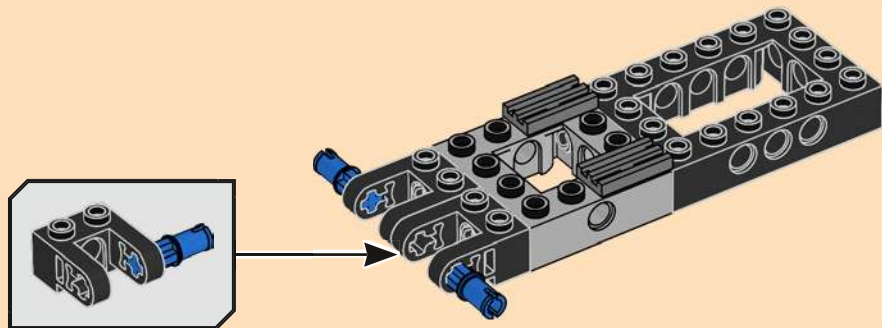


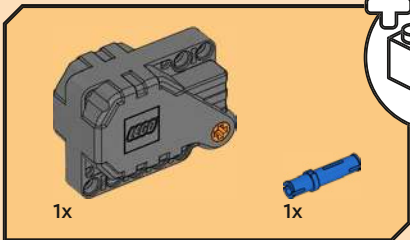
5



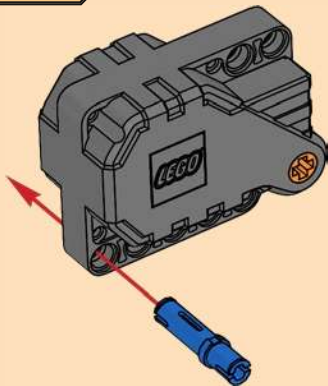


6

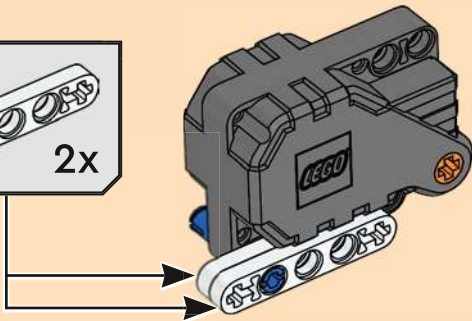
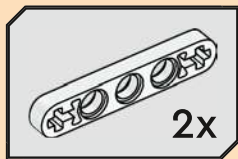


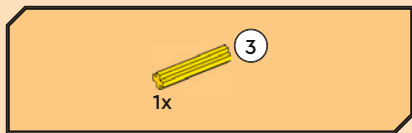


7

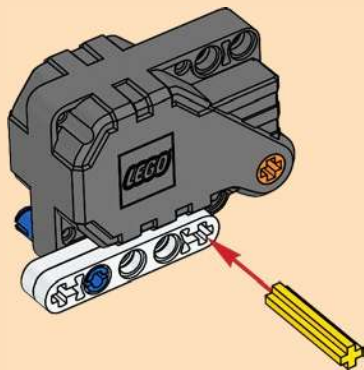


8

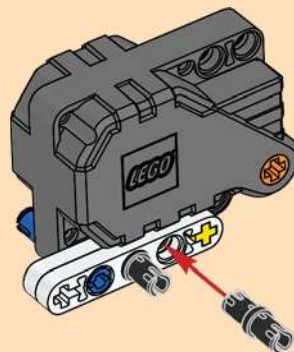


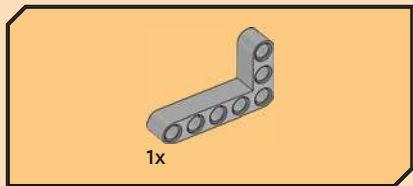


9

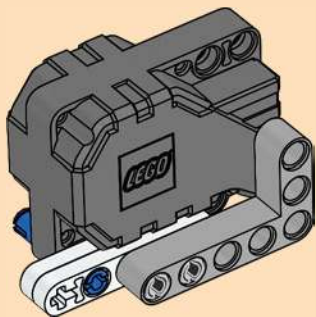


10

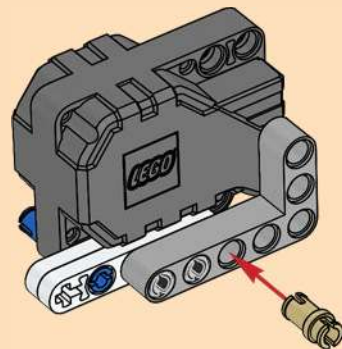




11

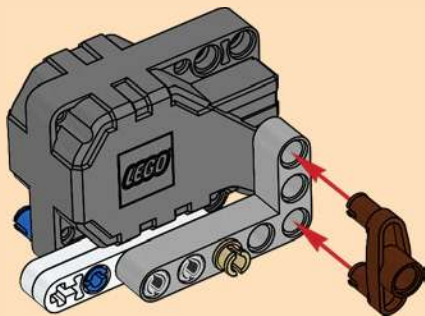


12

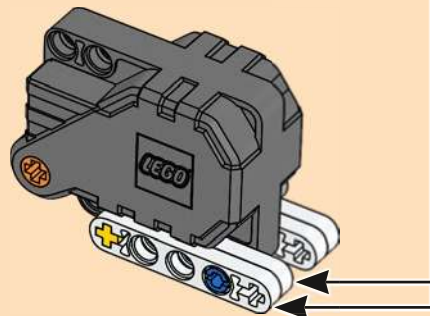
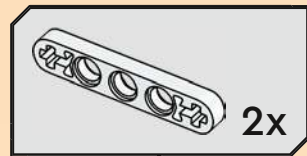




13



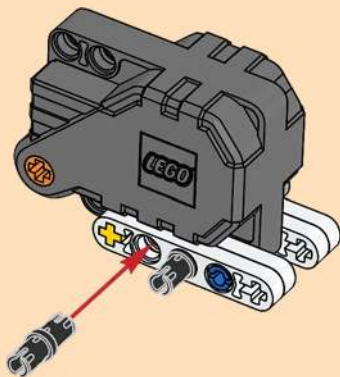
14



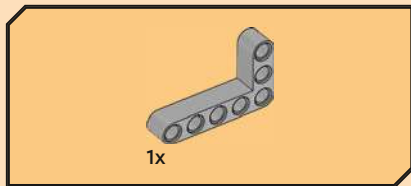


2x

15

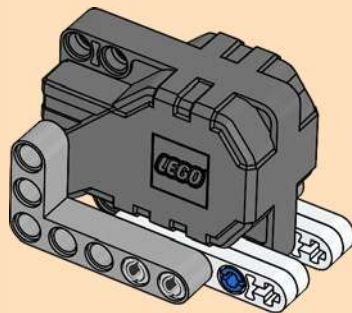


16



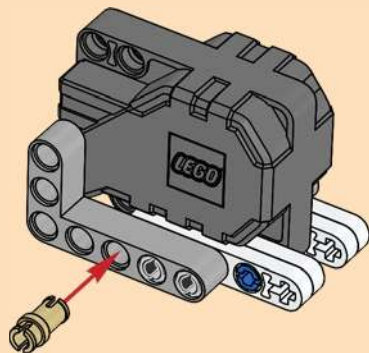
1x

16

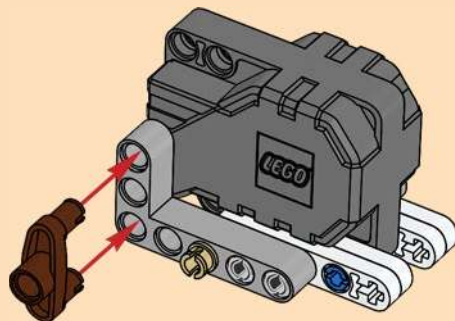




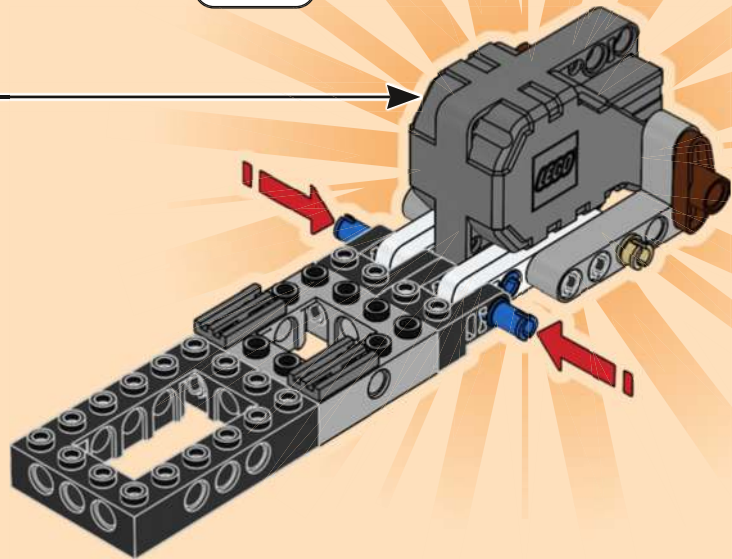
17



18



19

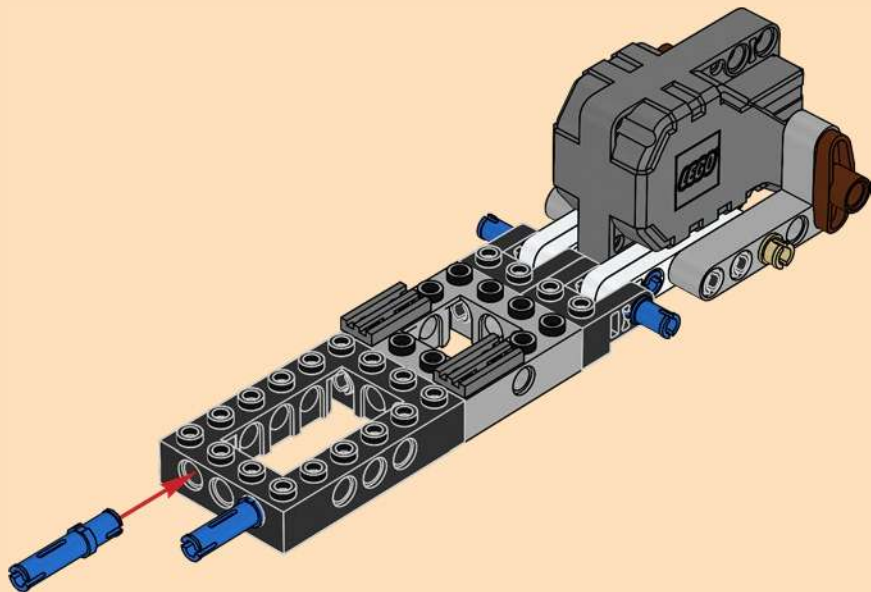


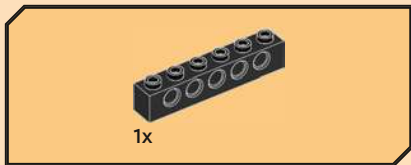
18



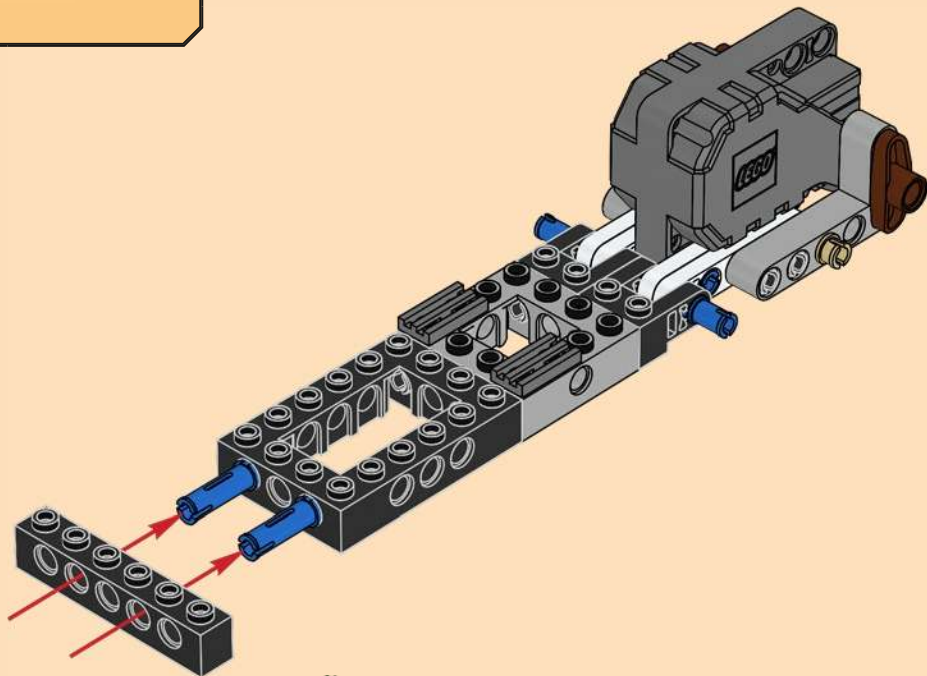


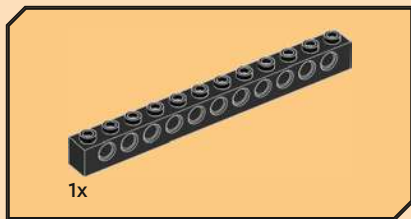
20



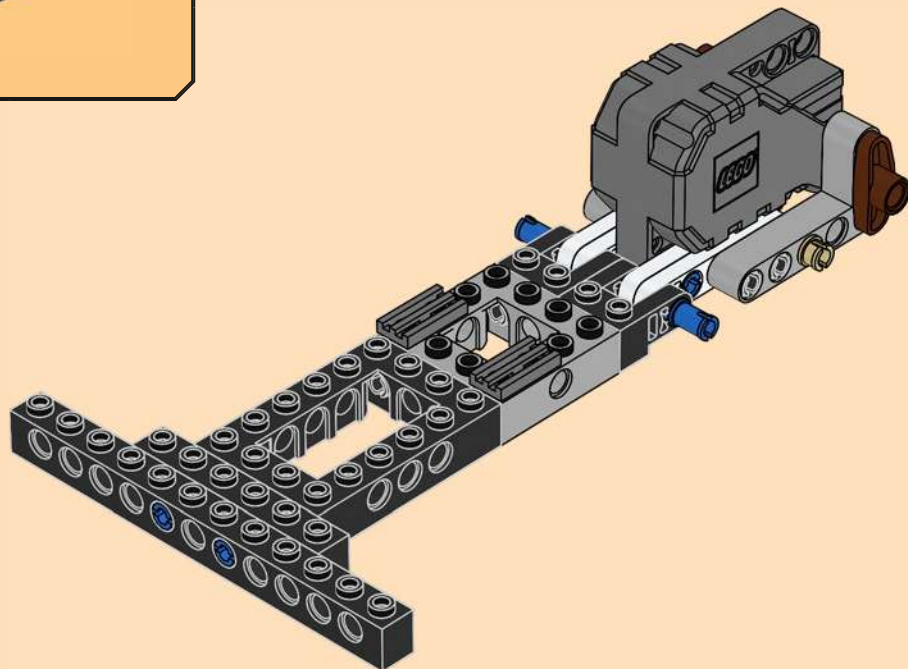


21





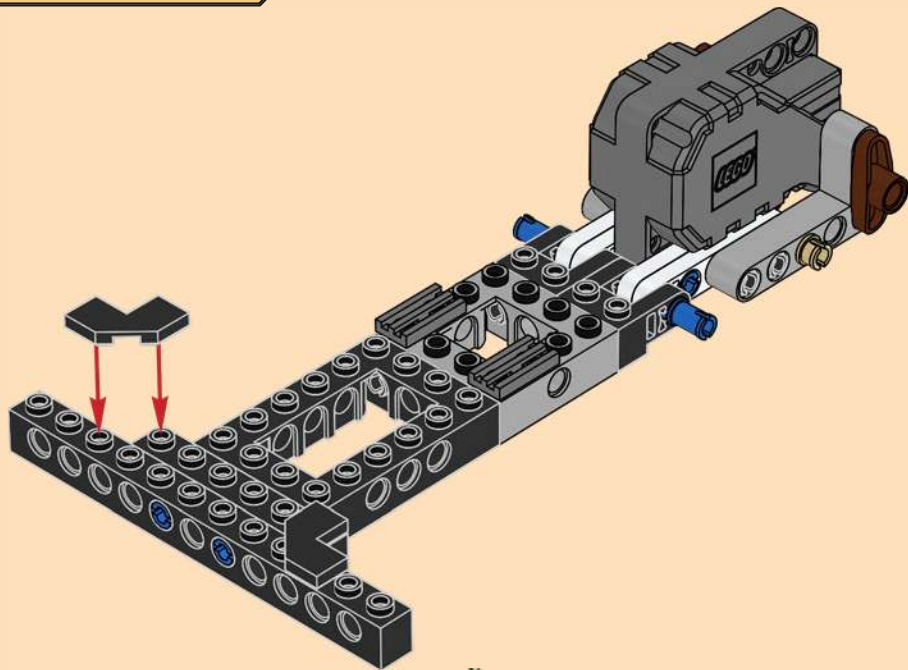
22

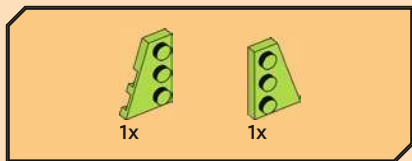




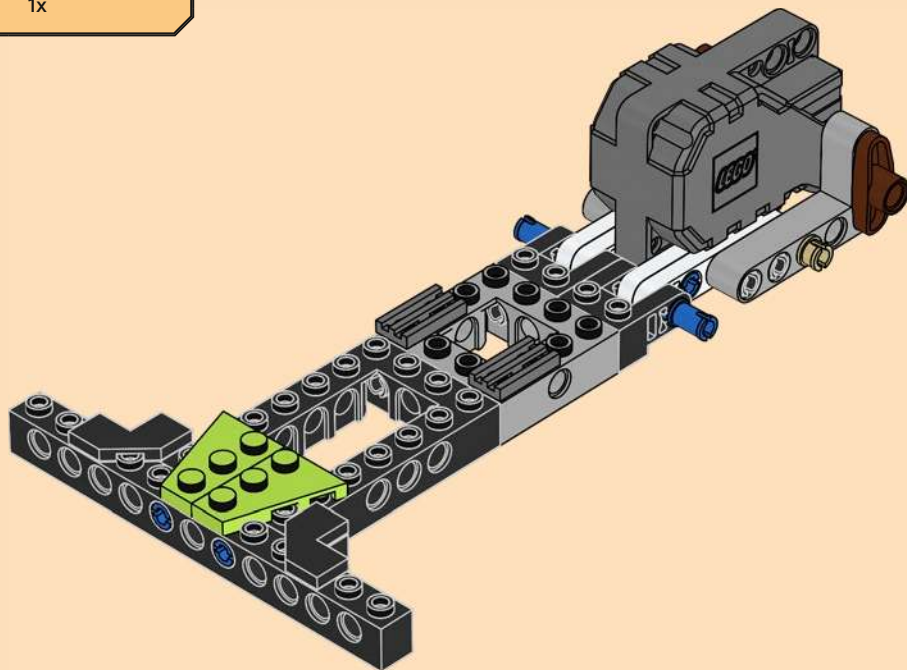
2x

23





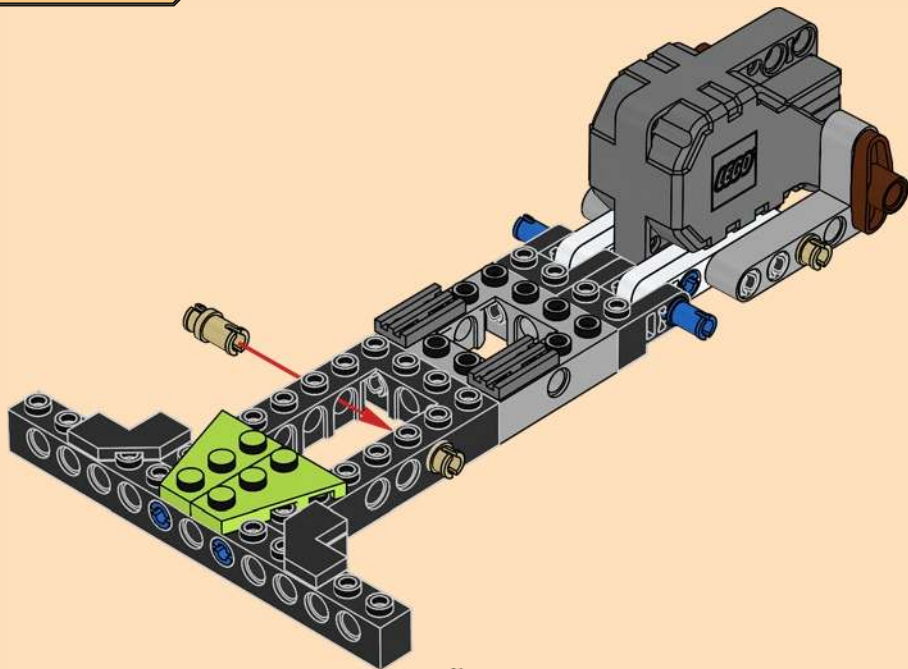
24

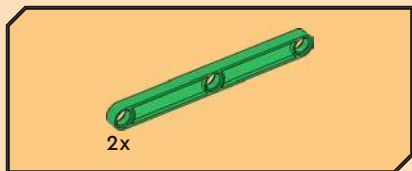




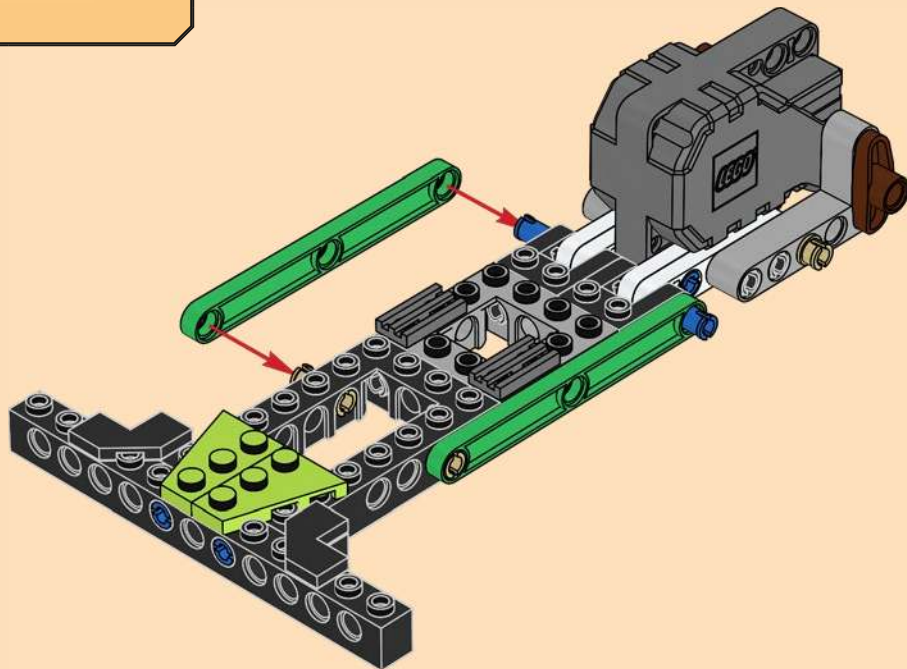
2x

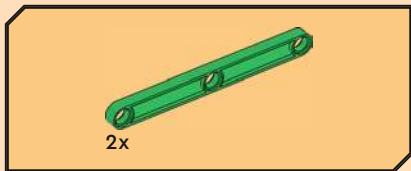
25



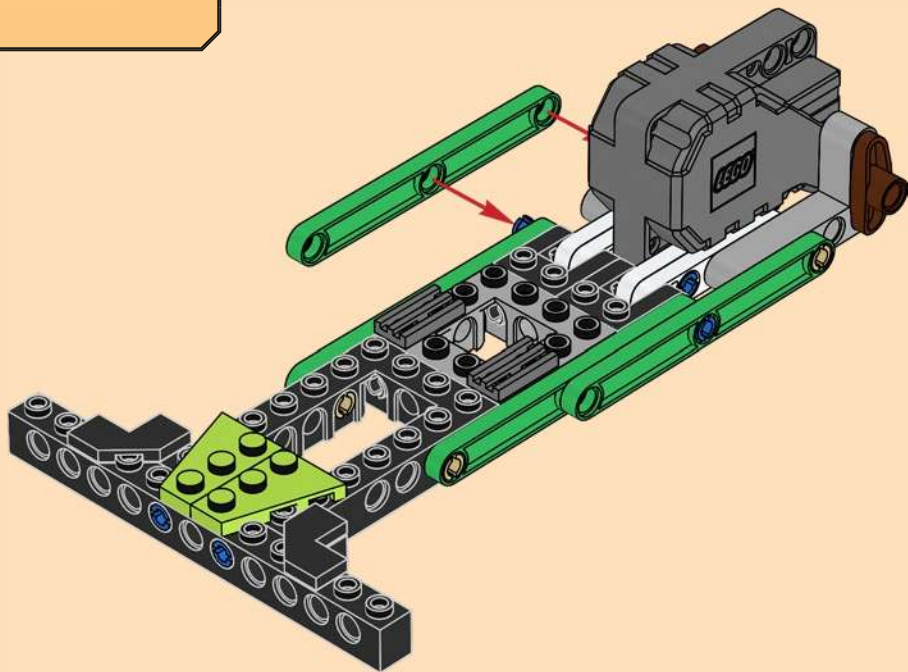


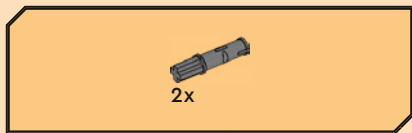
26



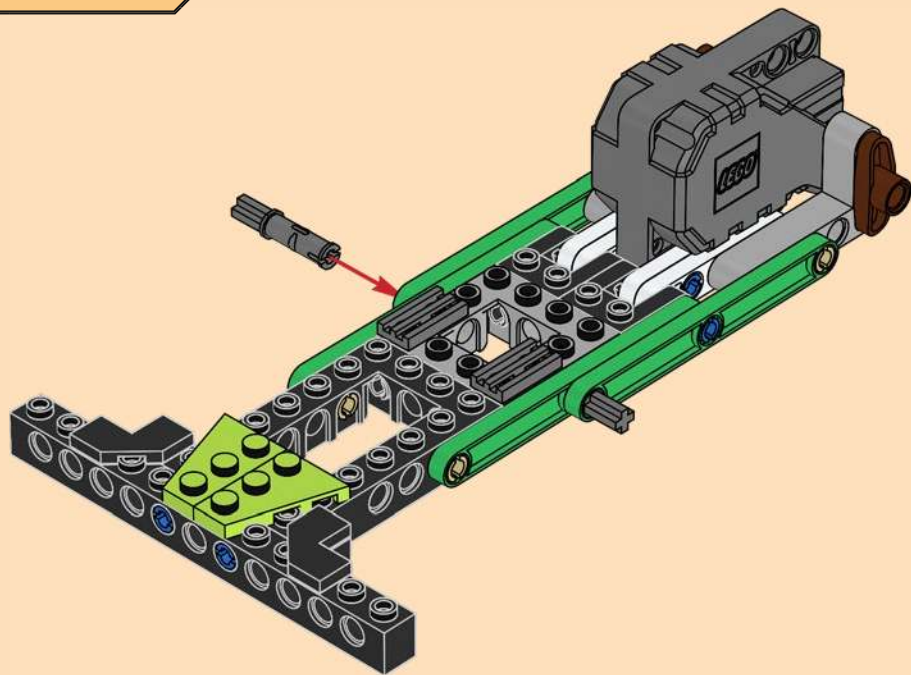


27





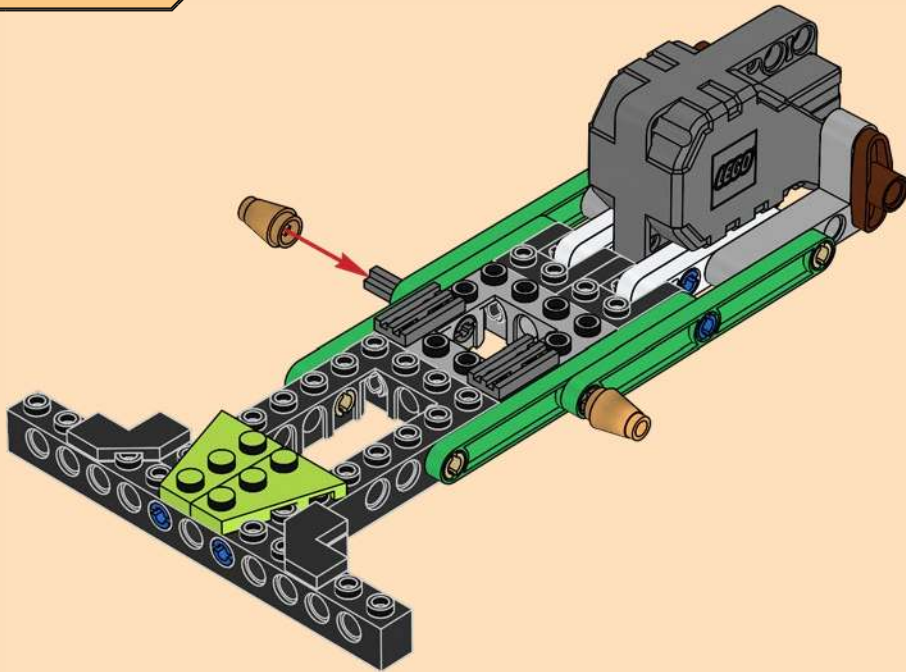
28

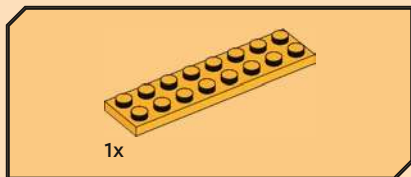




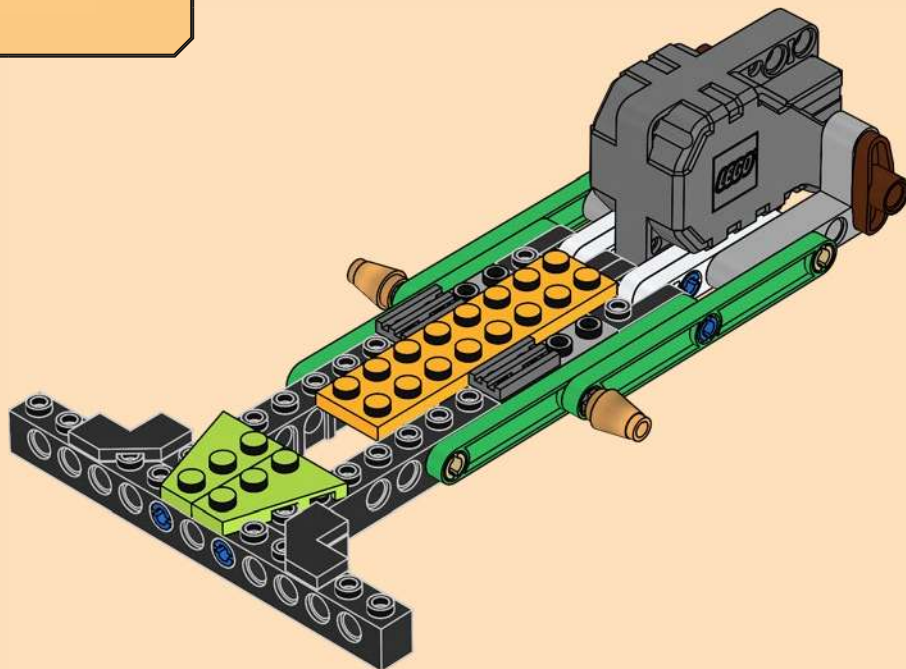
2x

29





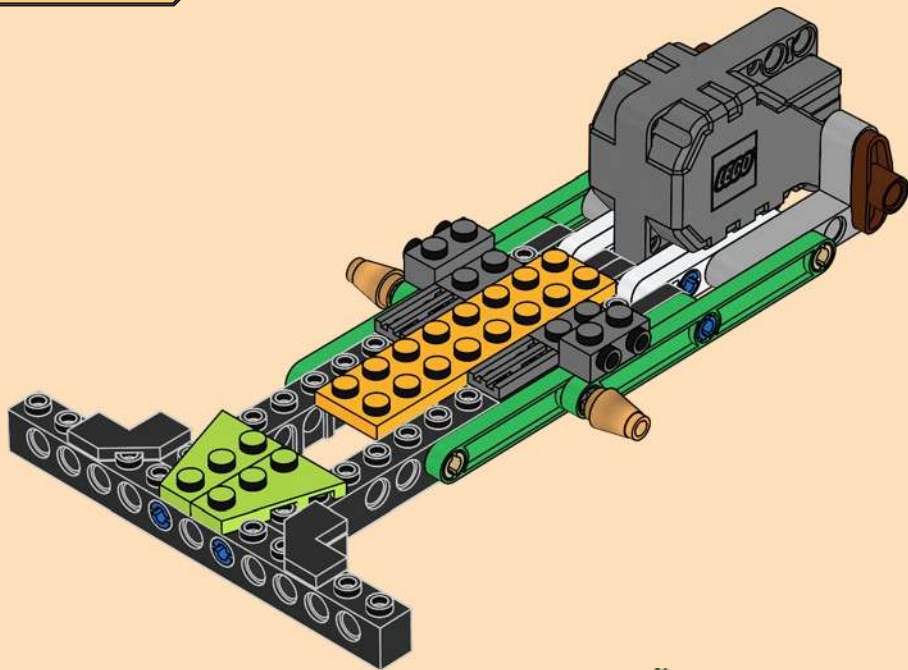
30





2x

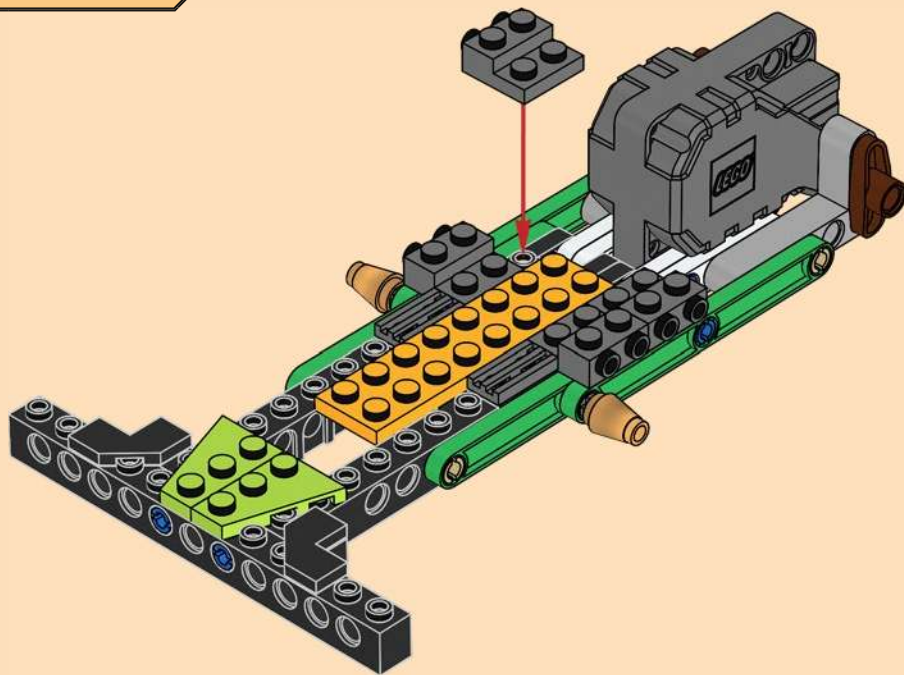
31

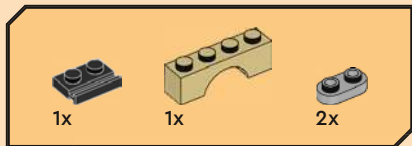




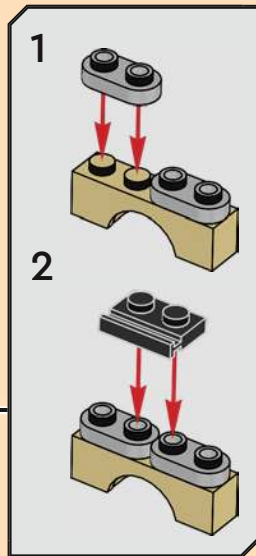
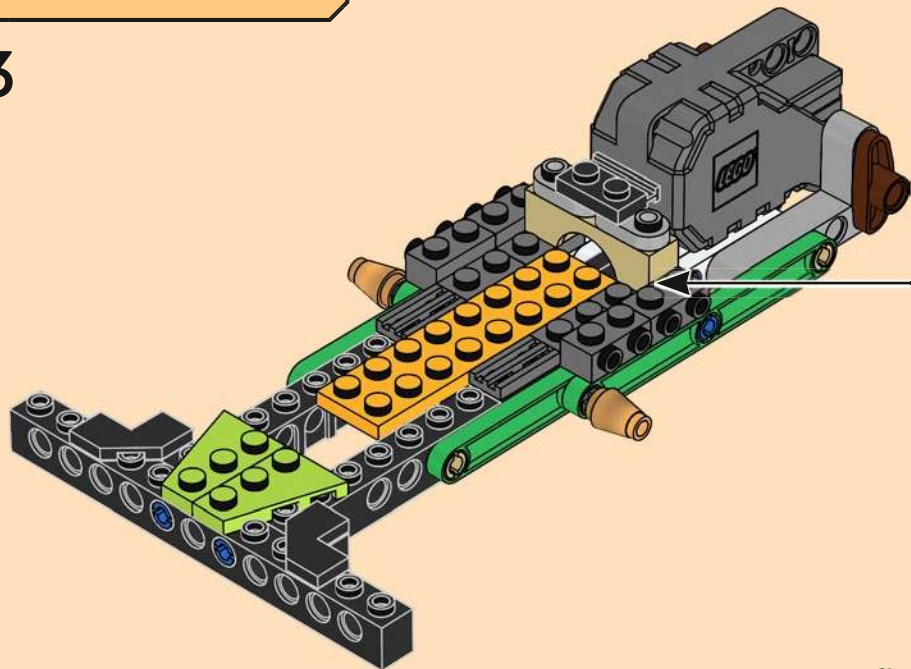
2x

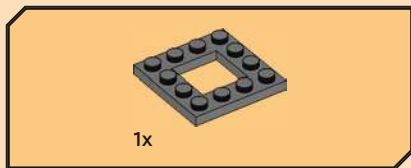
32



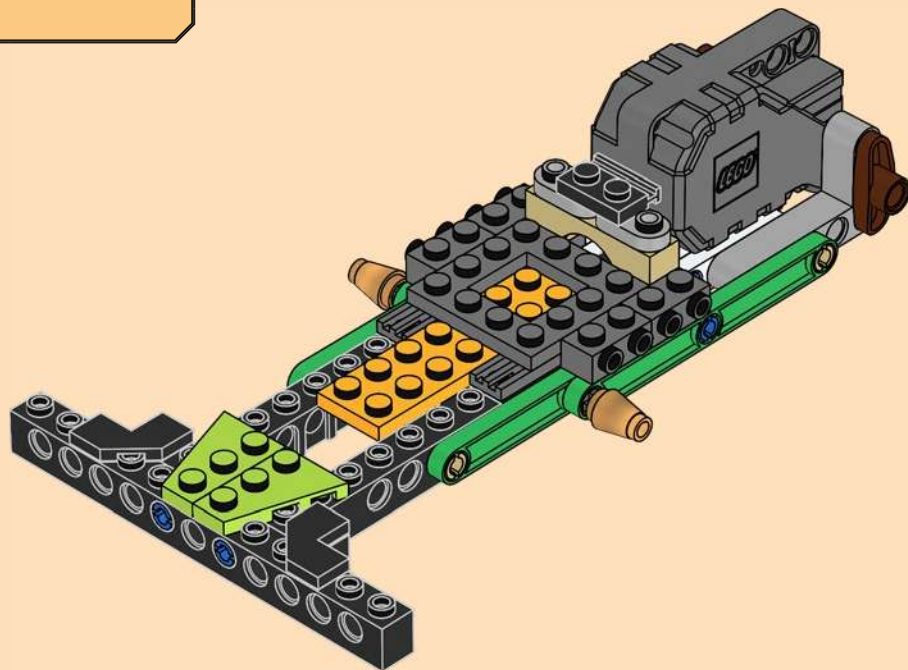


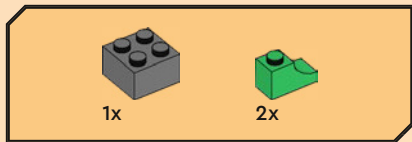
33



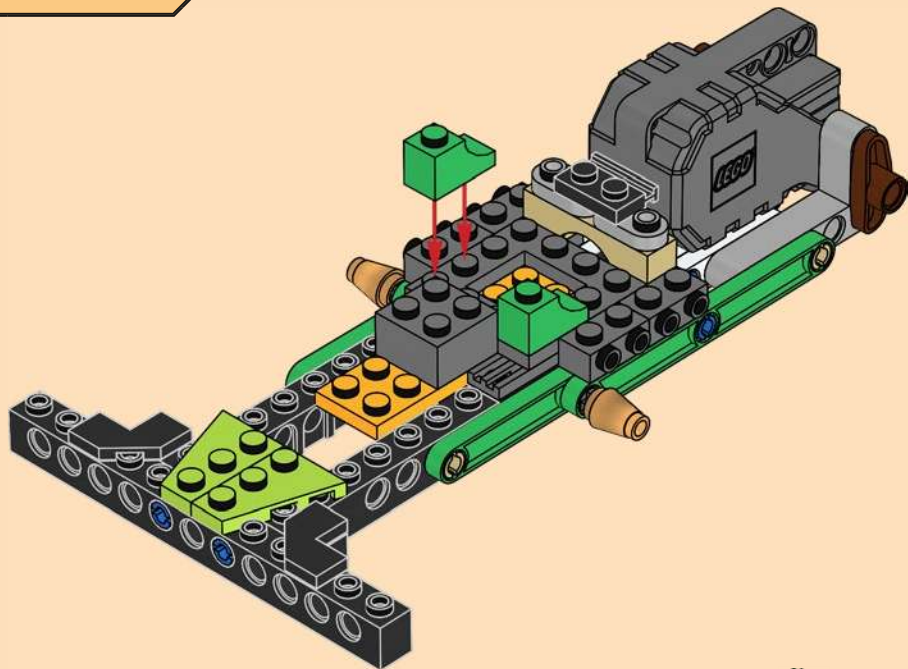


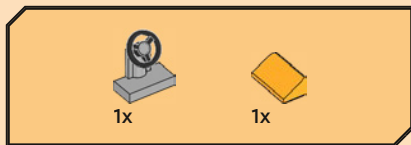
34



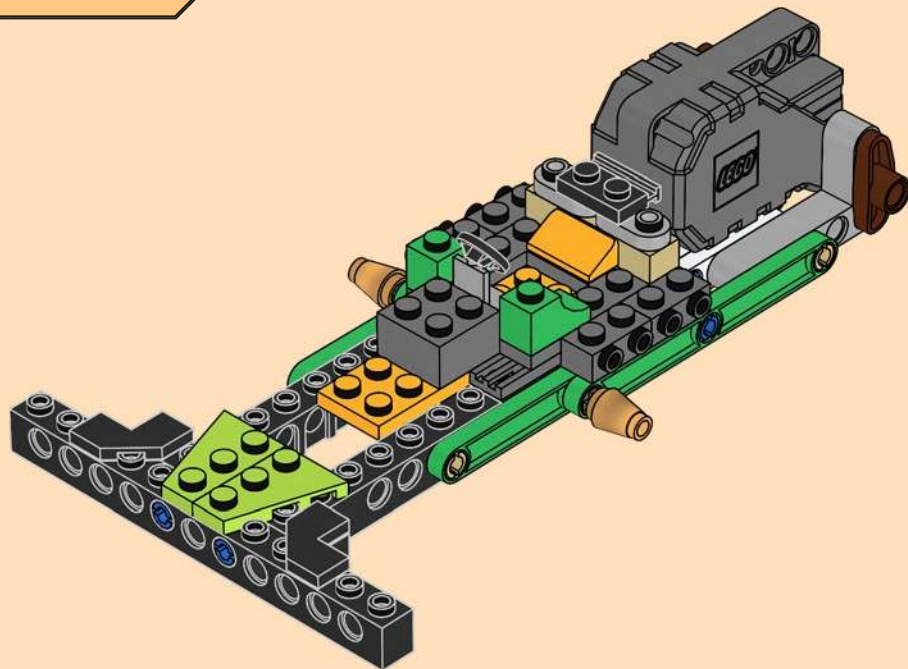


35





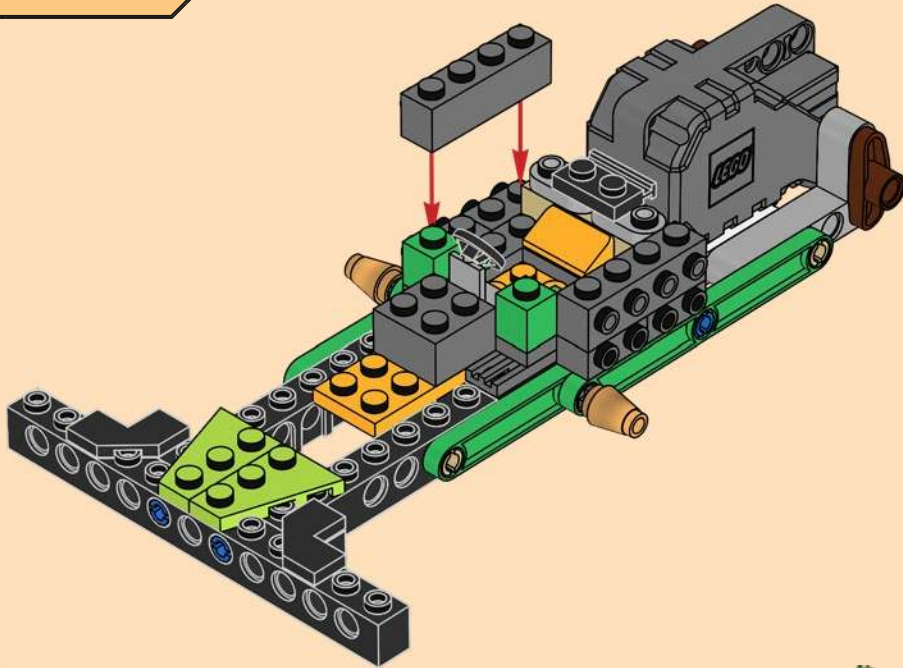
36





2x

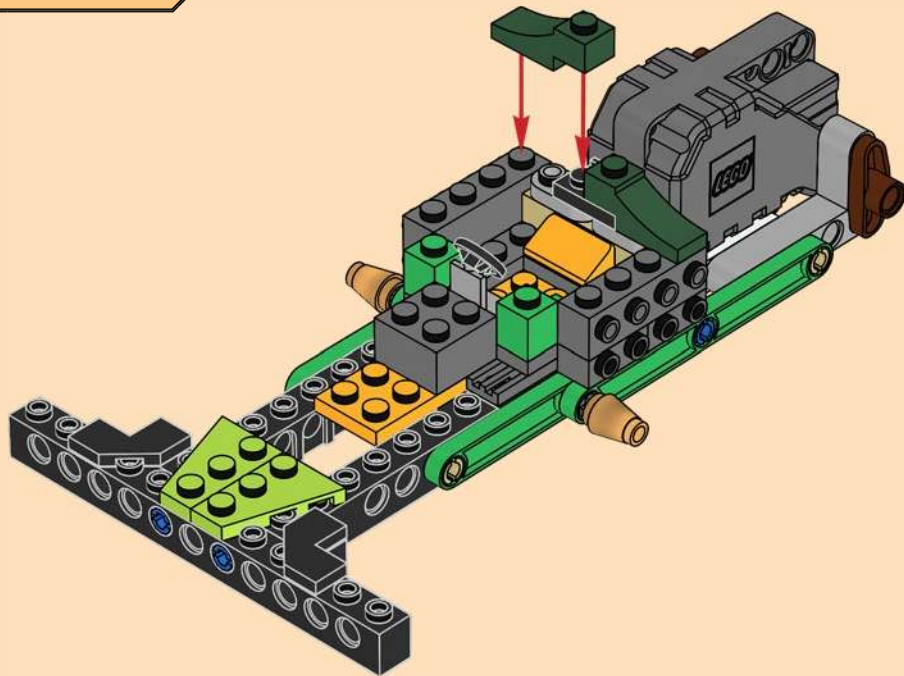
37





2x

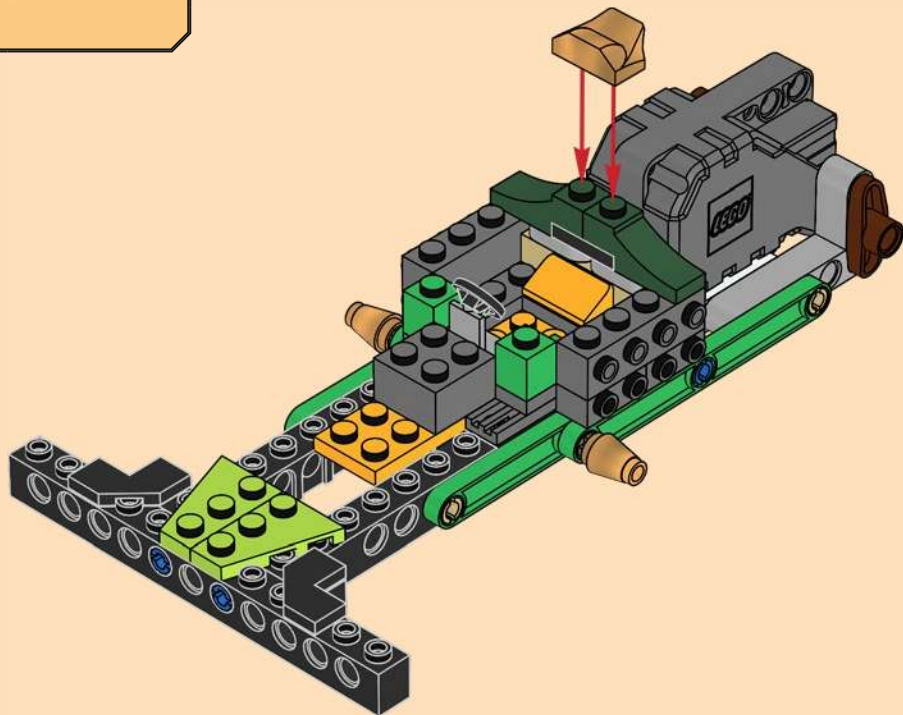
38

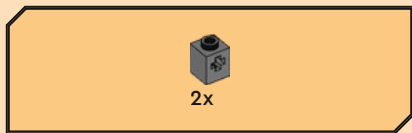




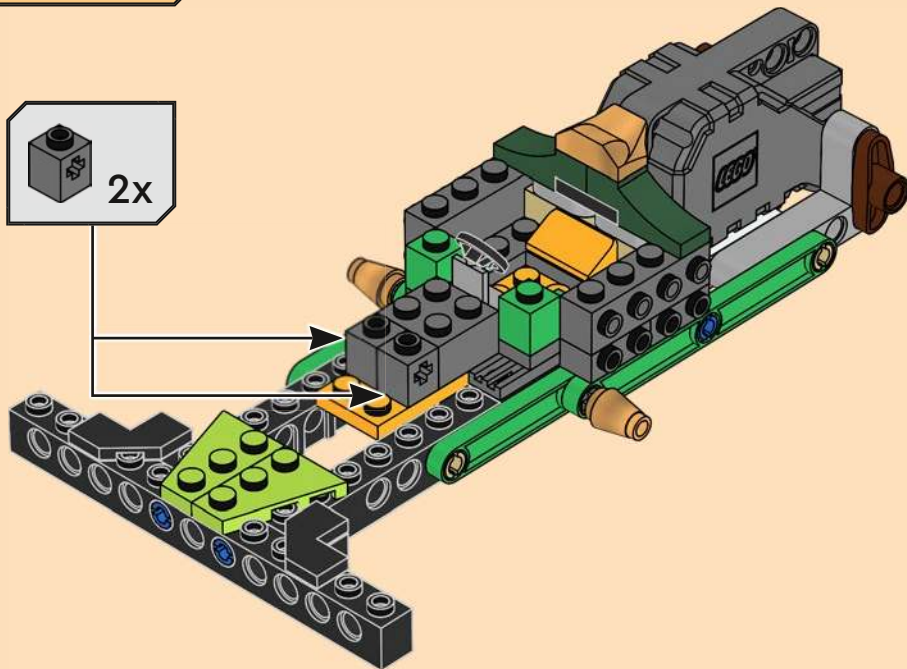
1x

39





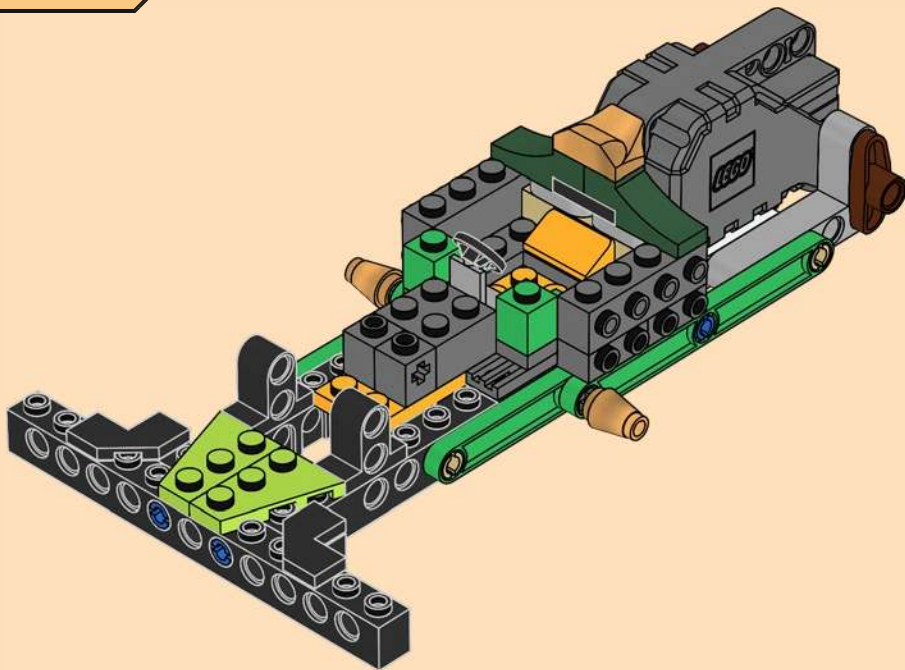
40

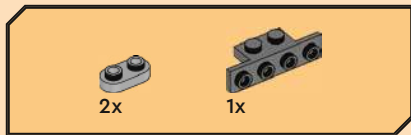




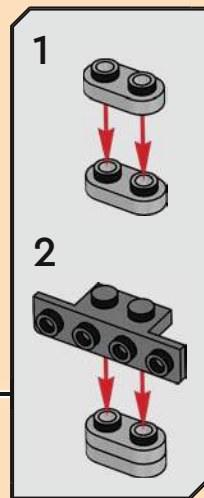
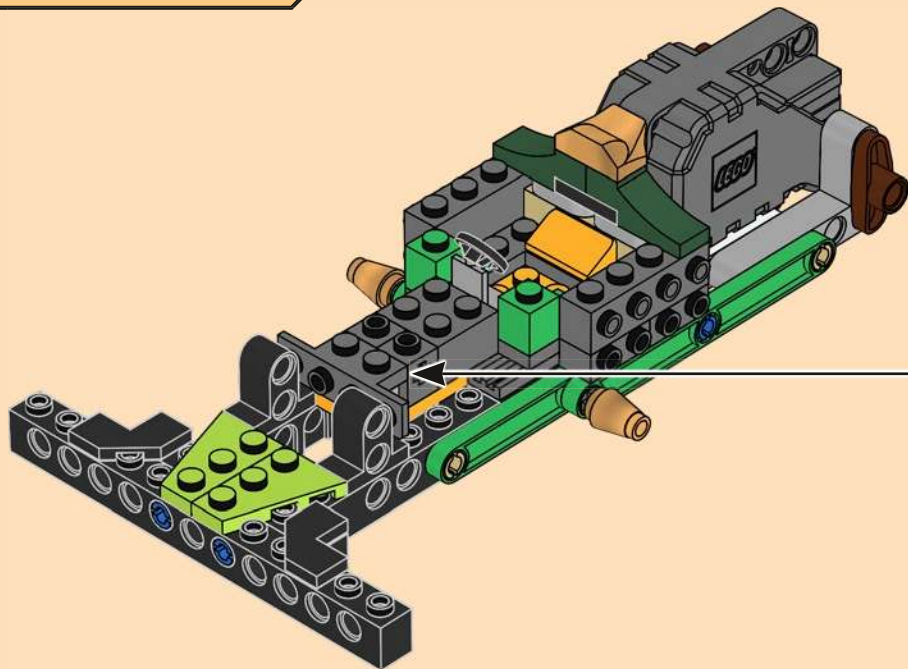
2x

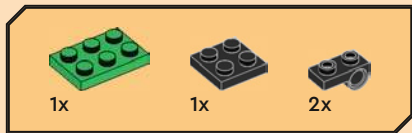
41



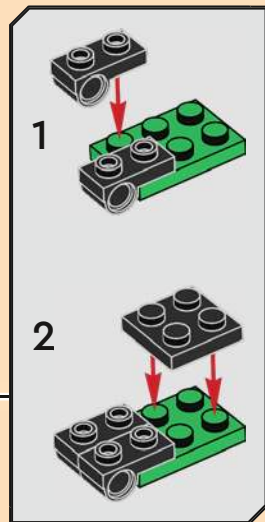
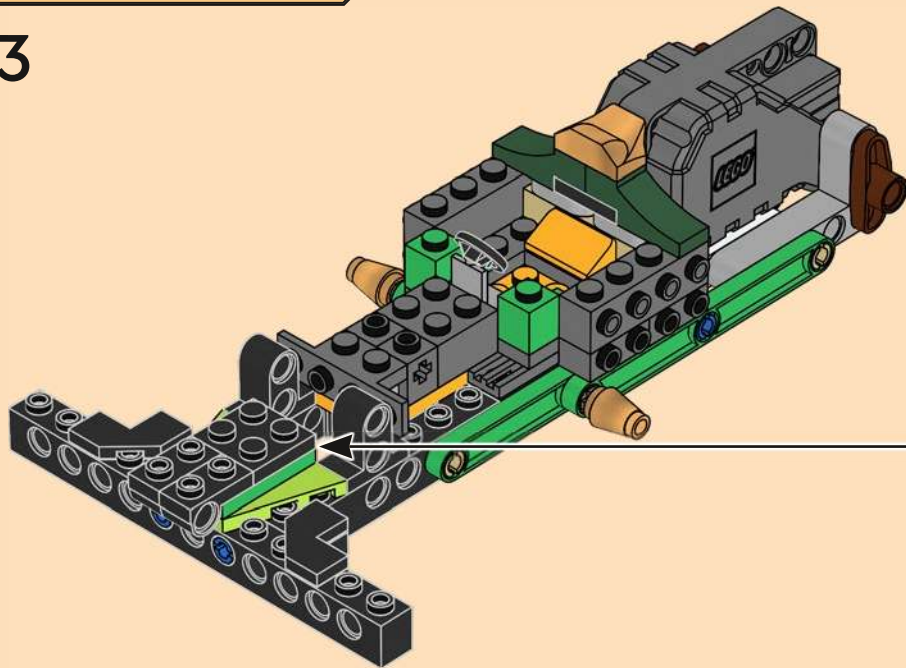


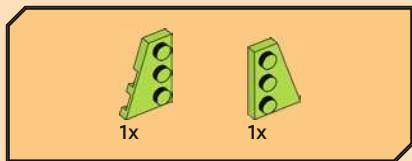
42



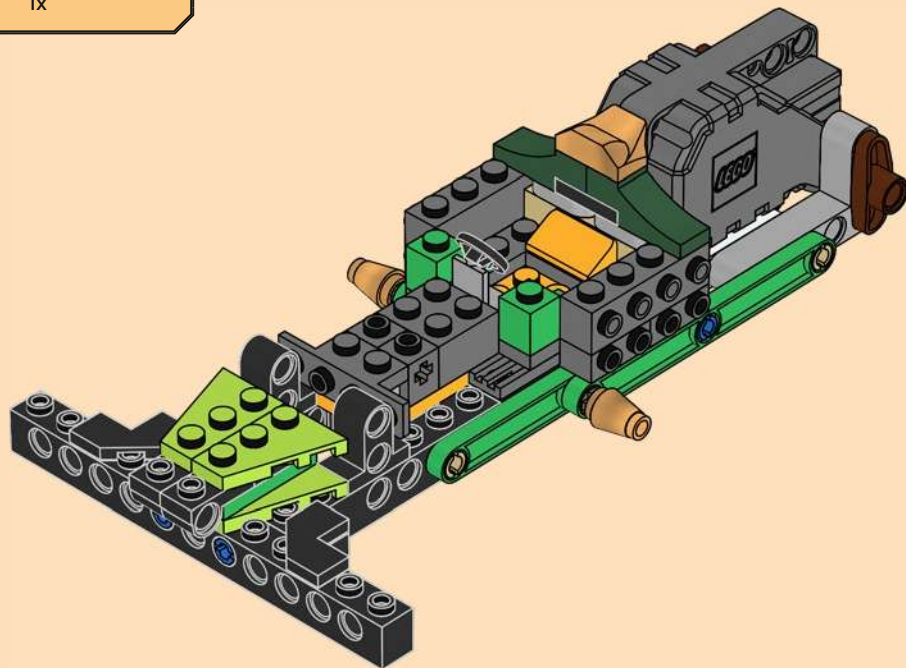


43





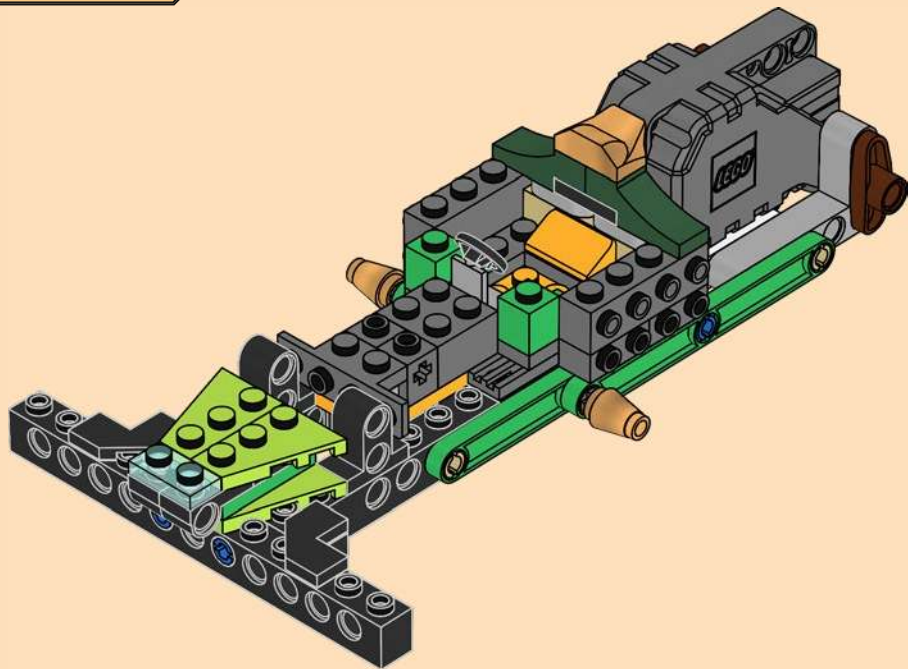
44

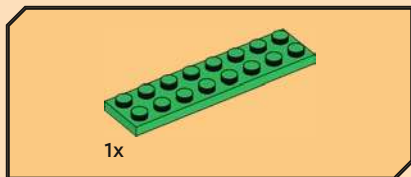




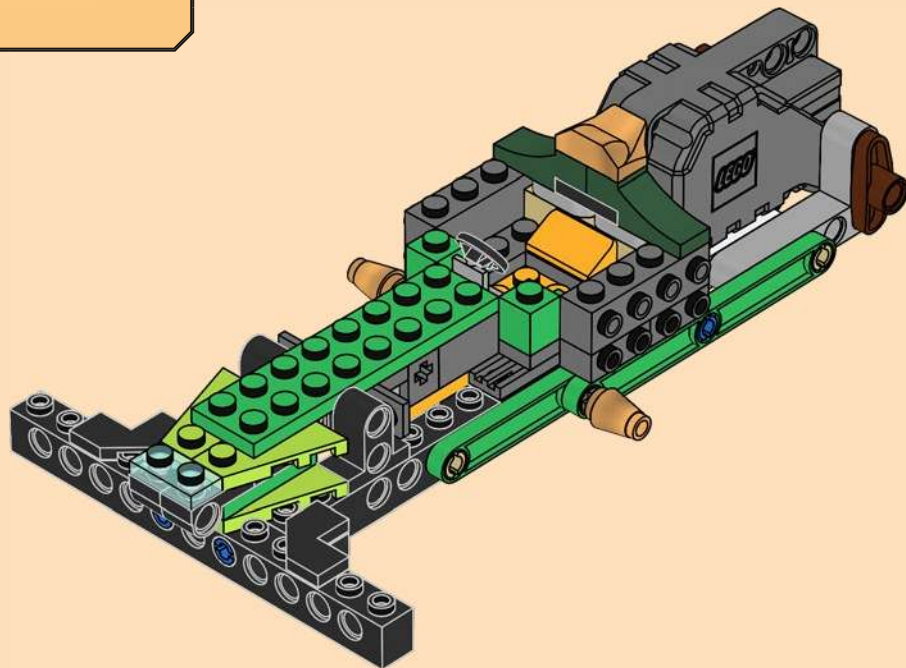
1x

45





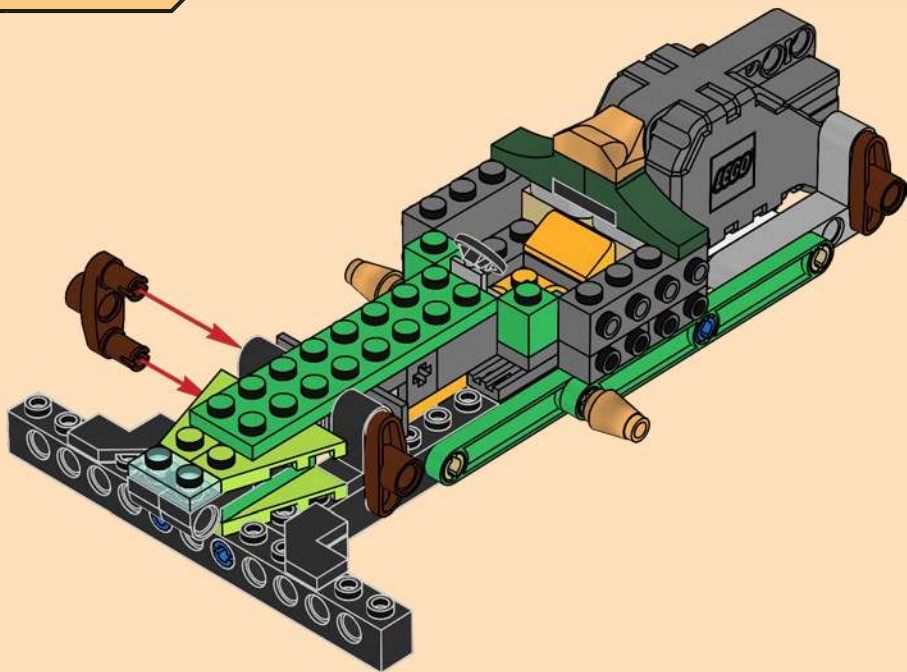
46





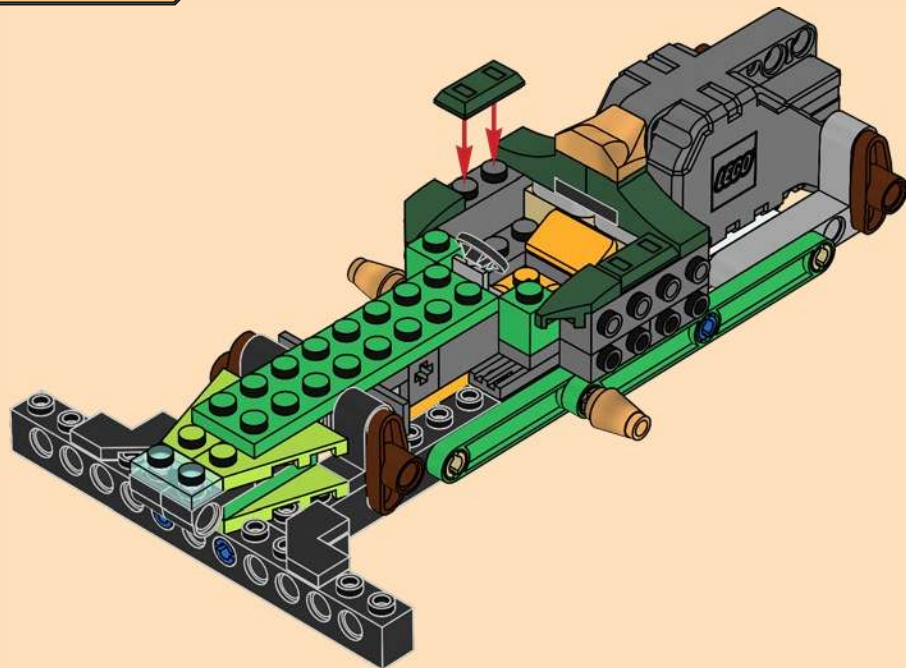
2x

47





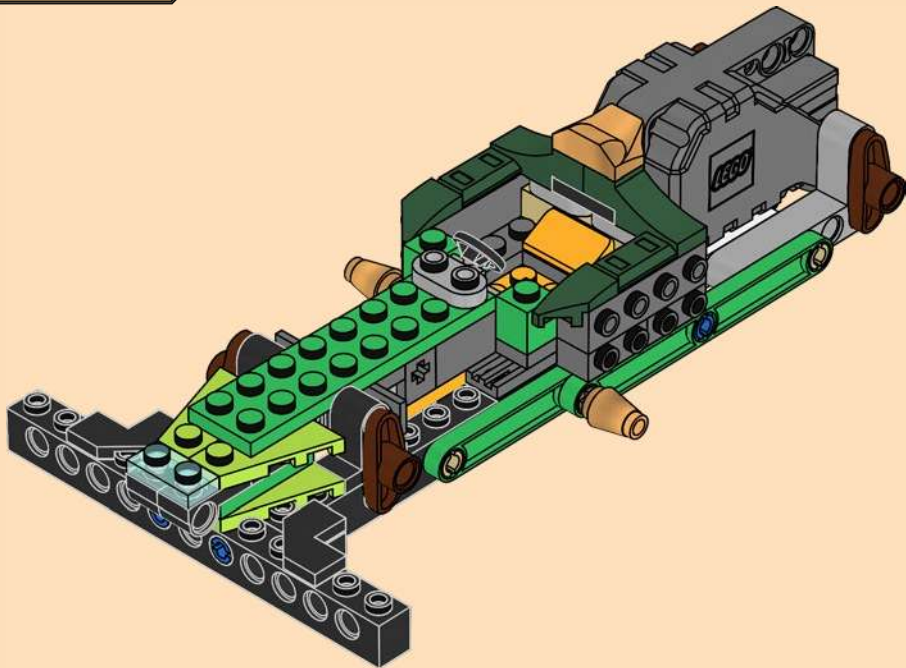
48

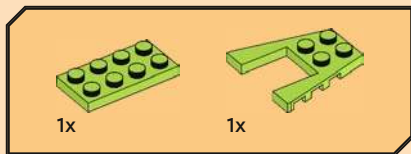




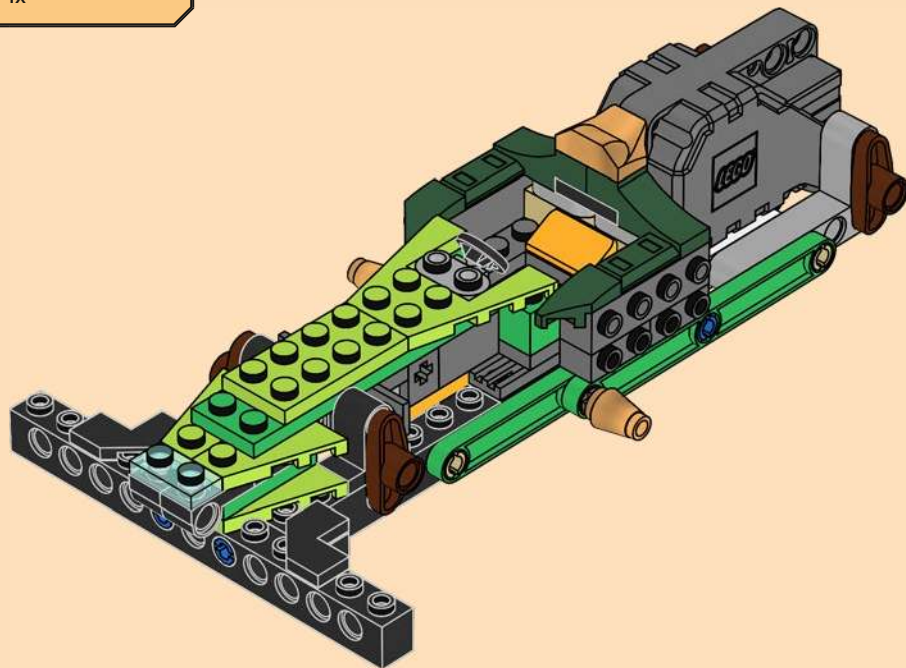
1x

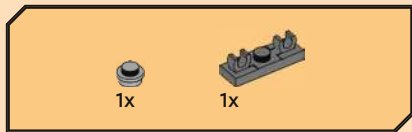
49



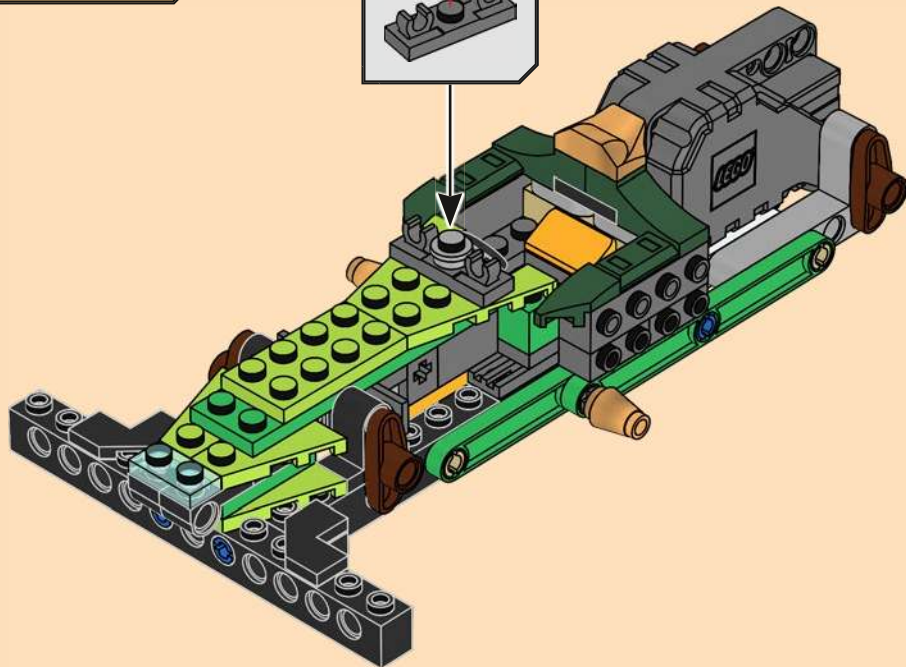
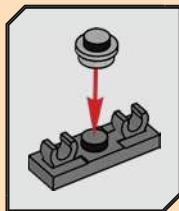


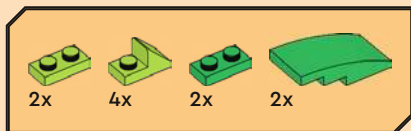
50





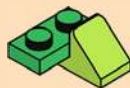
51





52

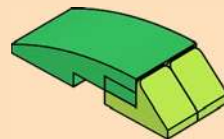
1



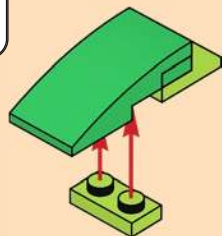
2



3



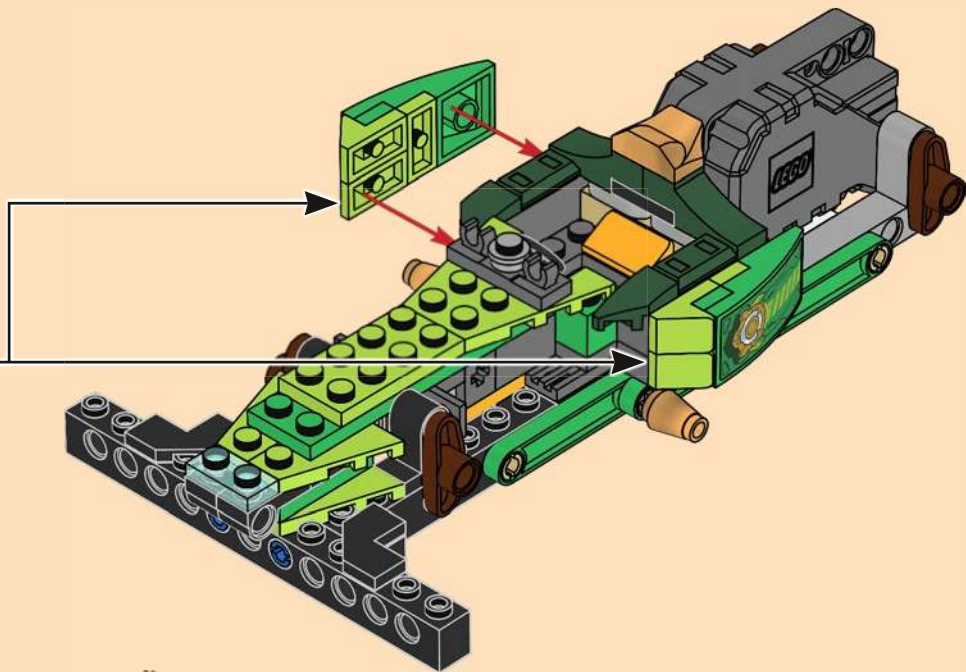
4

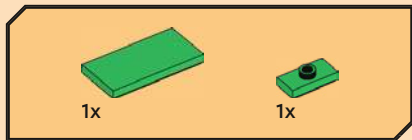


5

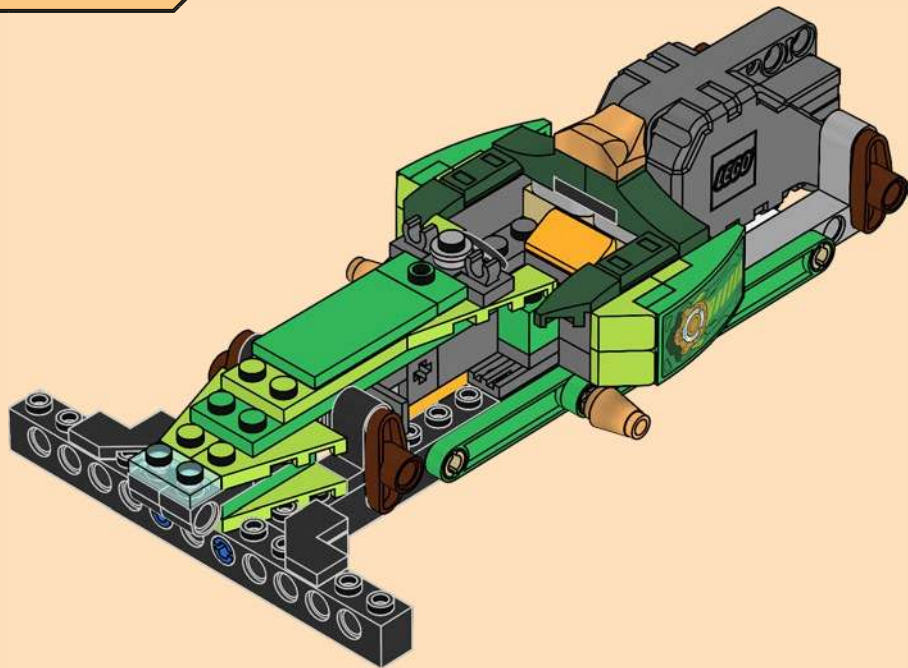


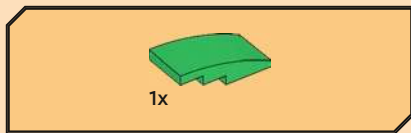
2x



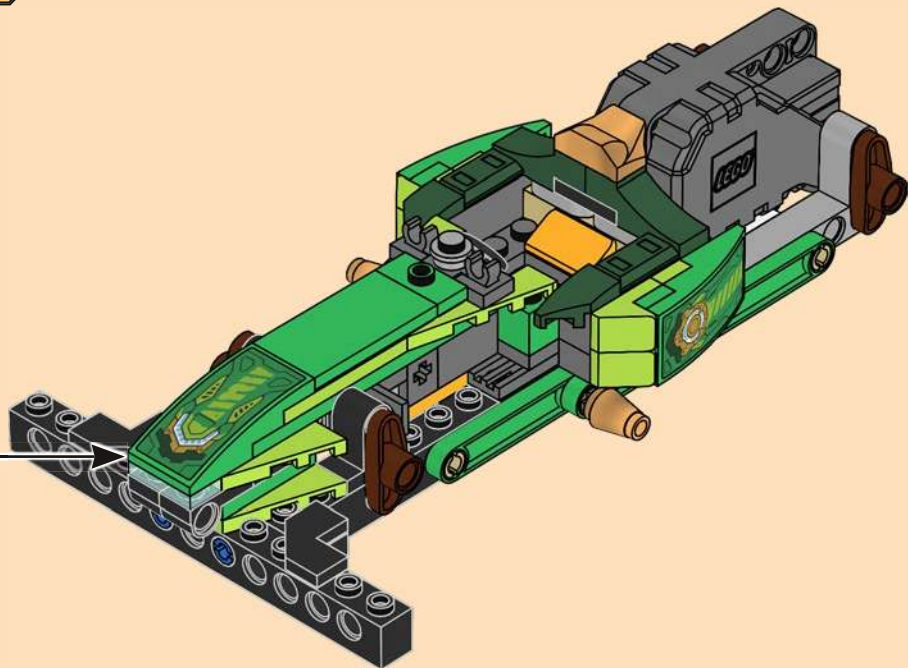
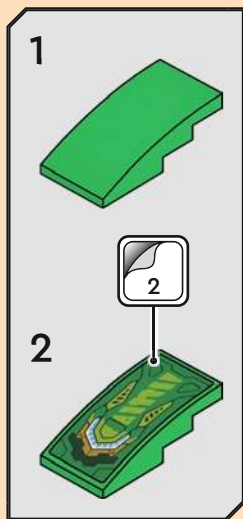


53





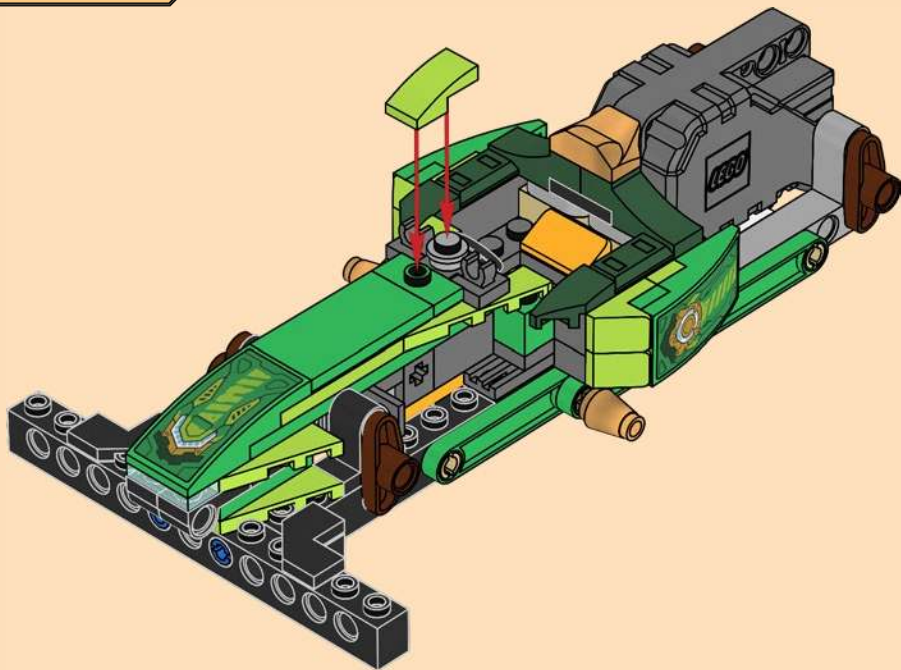
54





1x

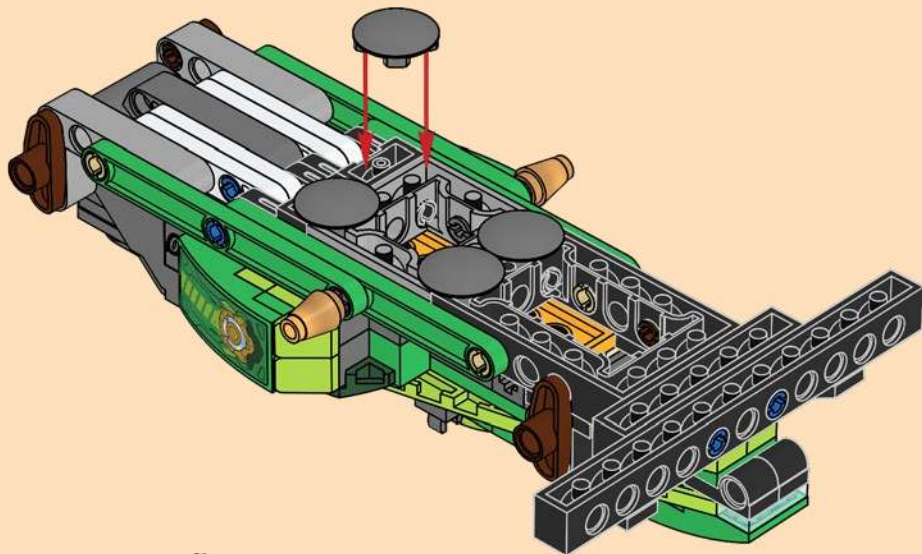
55

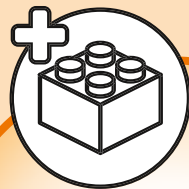




4x

56

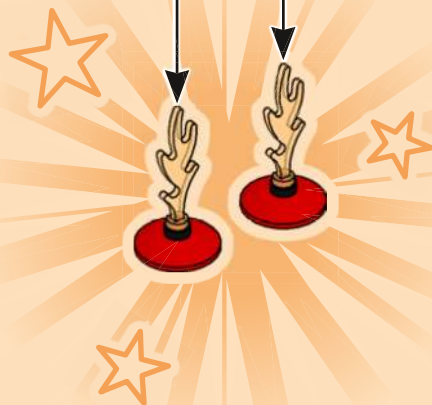
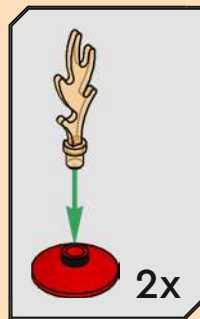
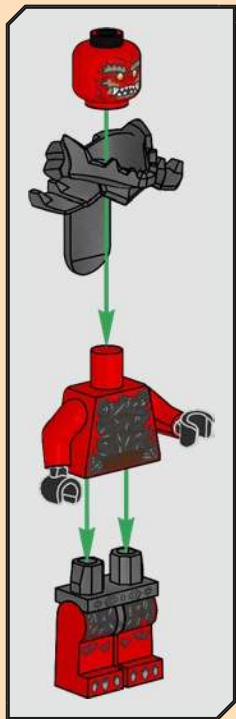




2x



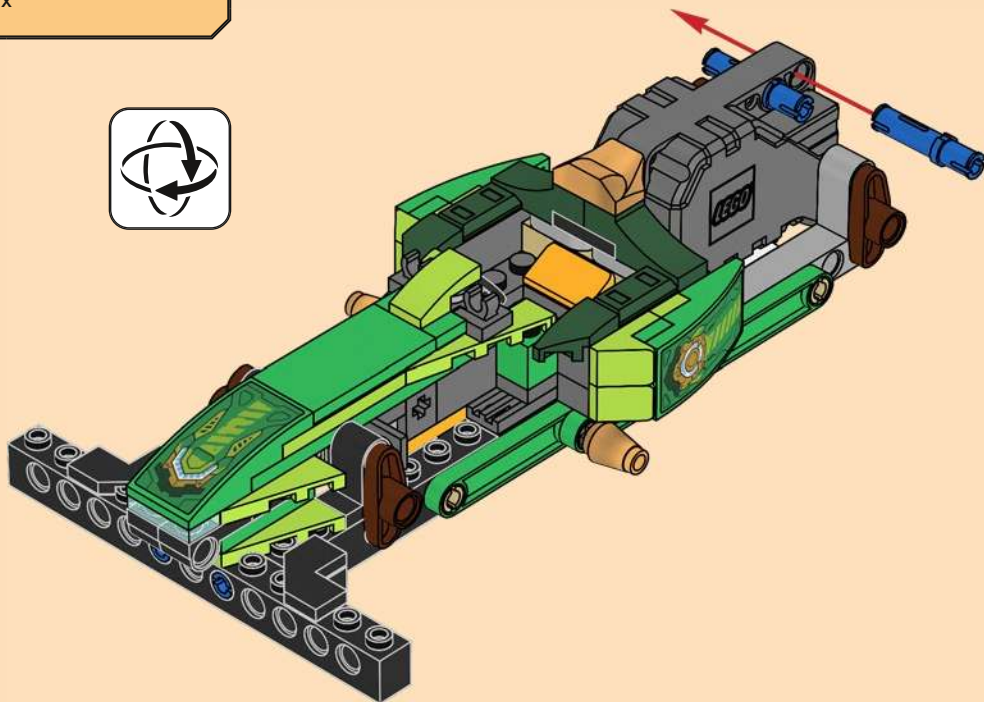
2x





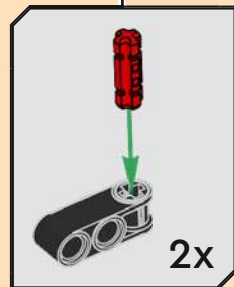
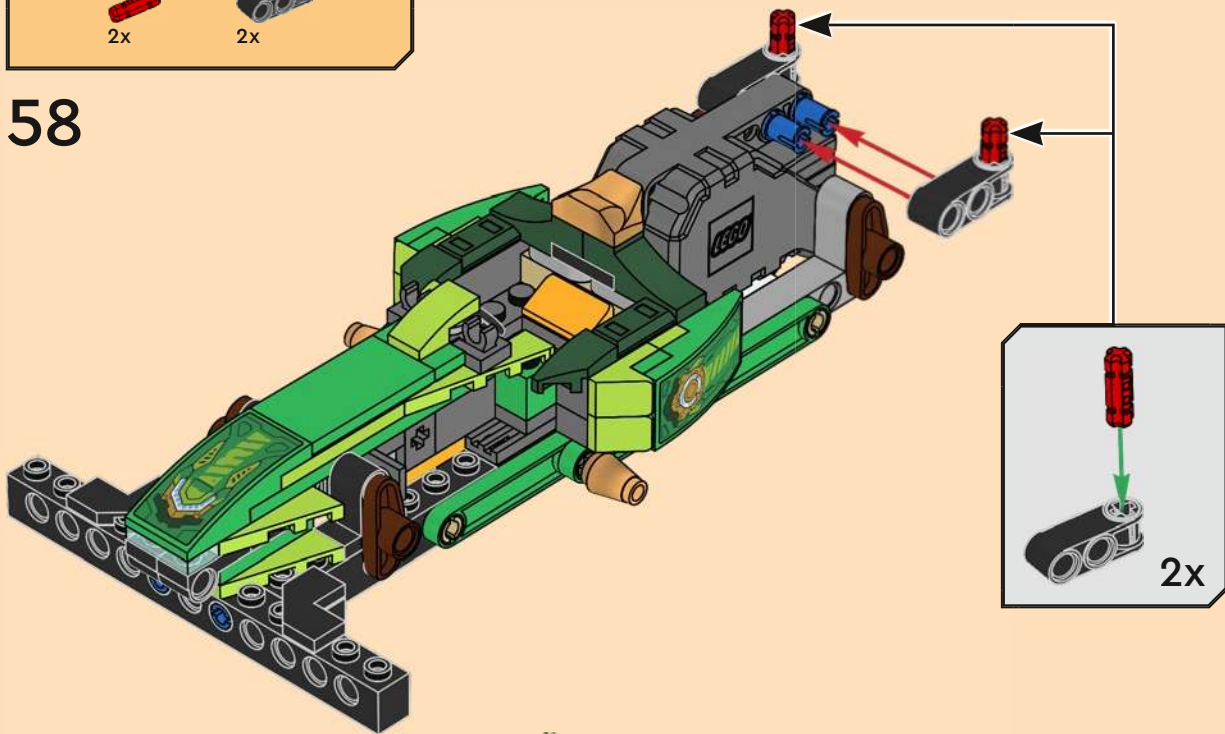
2x

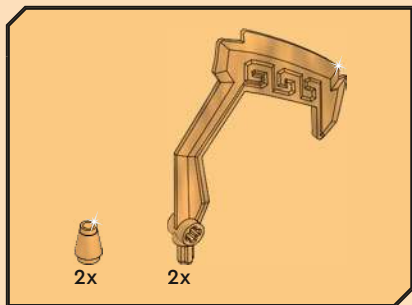
57



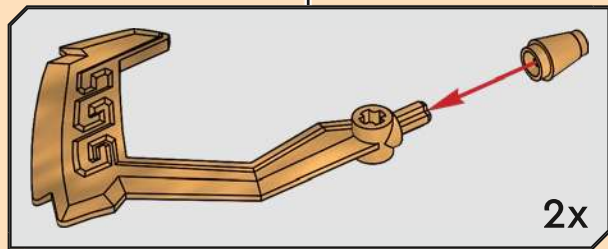
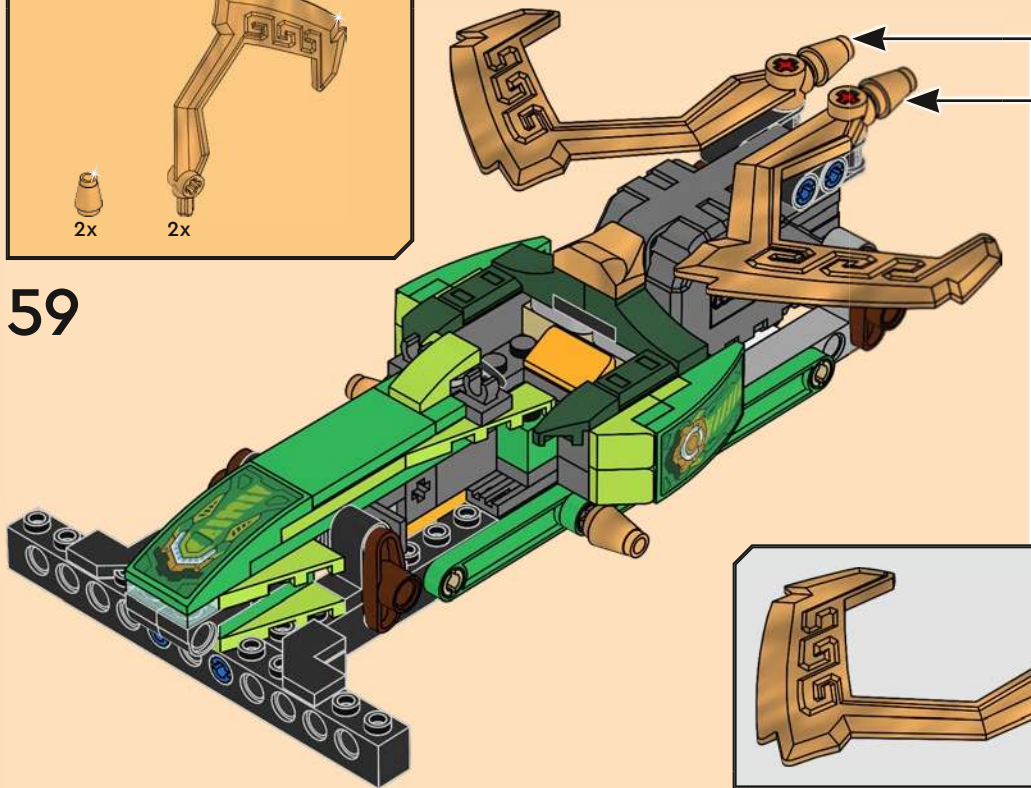


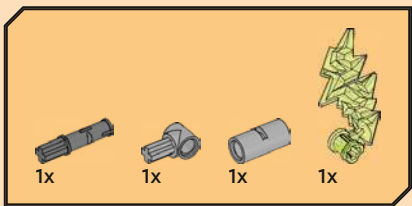
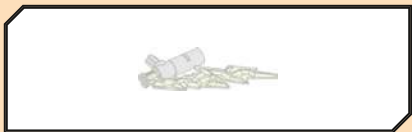
58





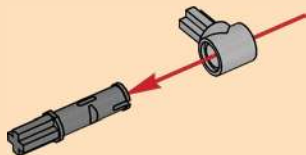
59



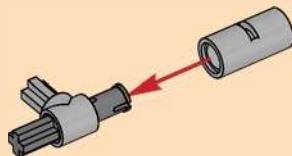


60

1

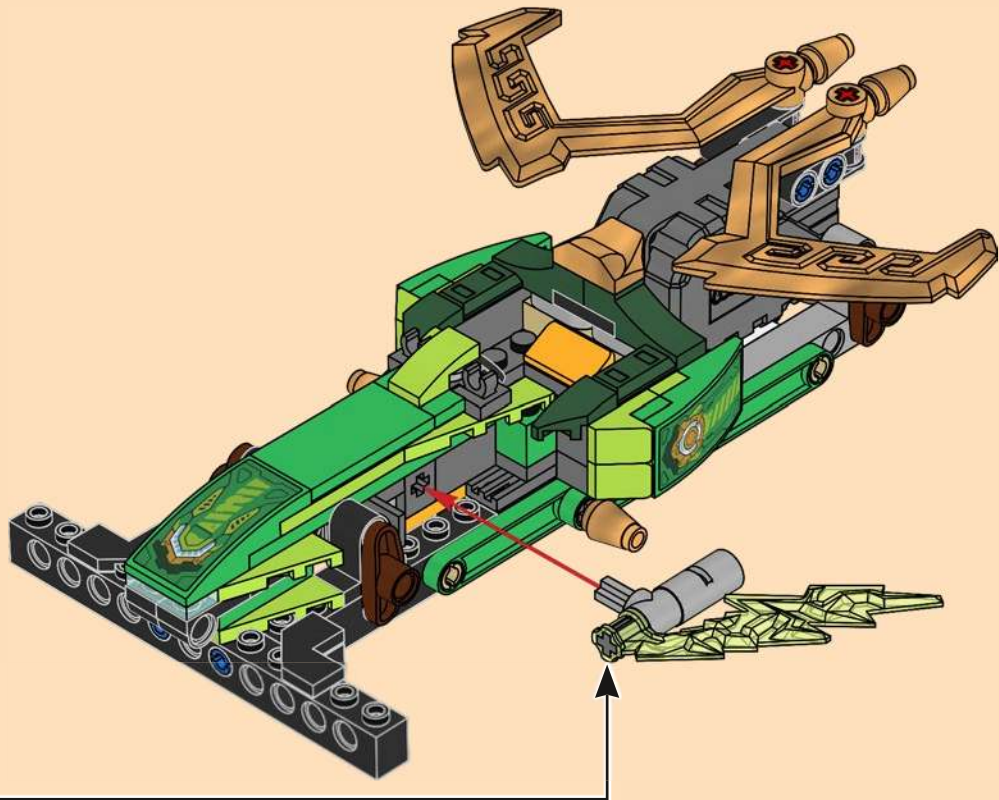


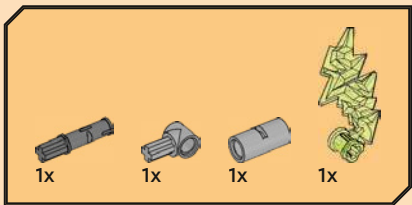
2



3

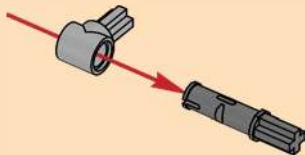




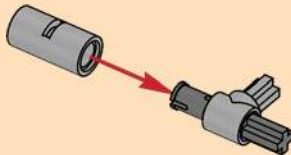


61

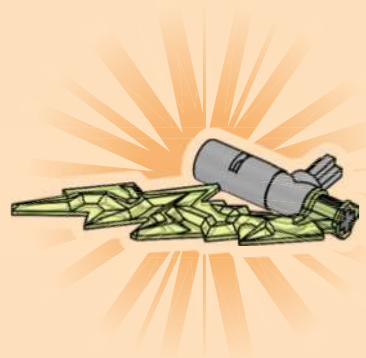
1

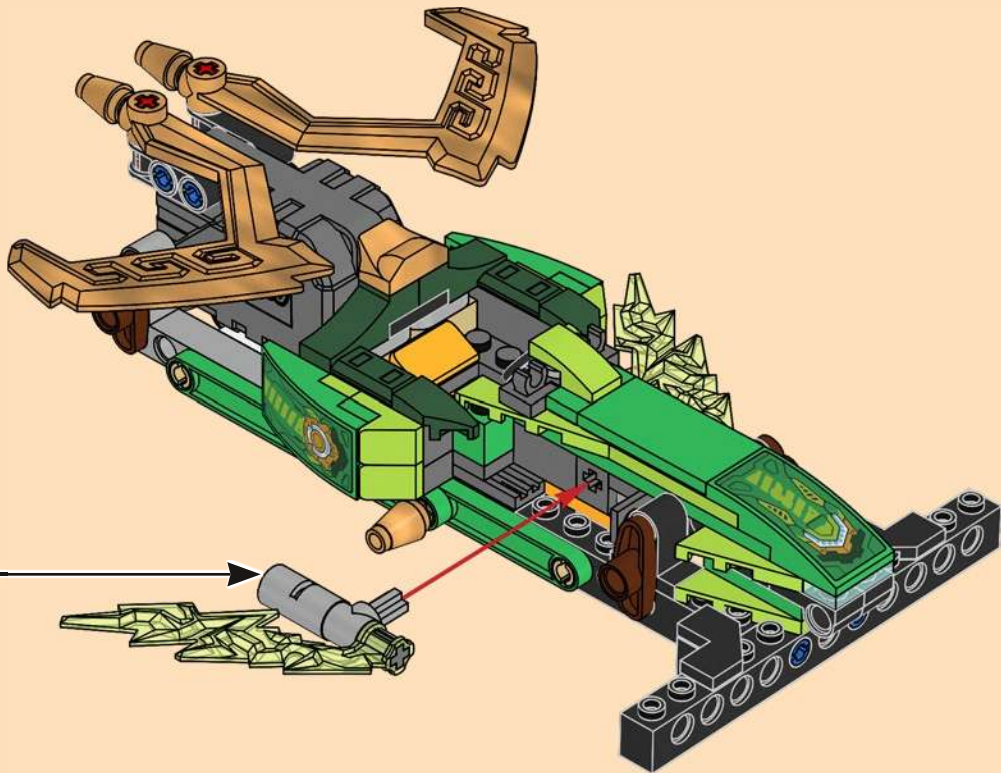


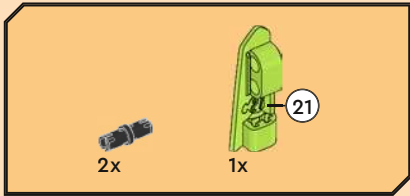
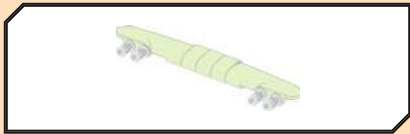
2



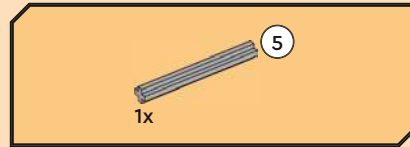
3



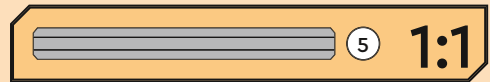
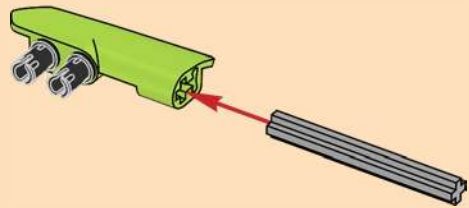




62

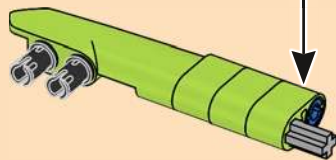
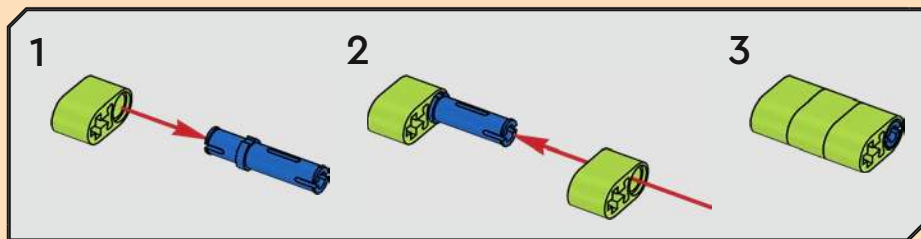


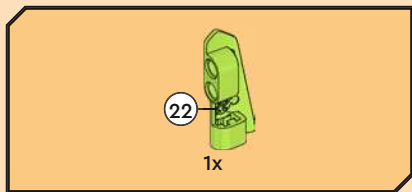
63



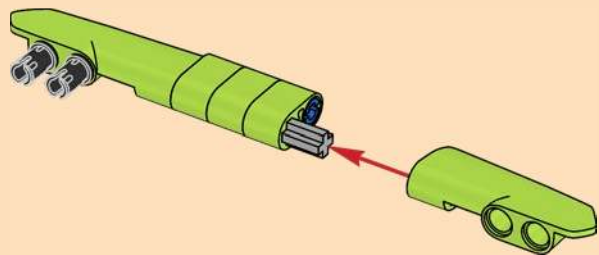


64

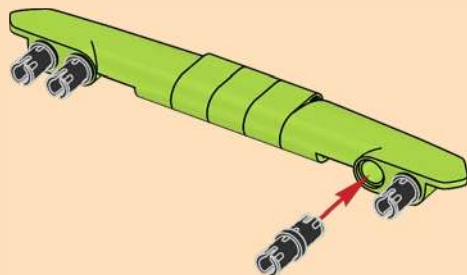




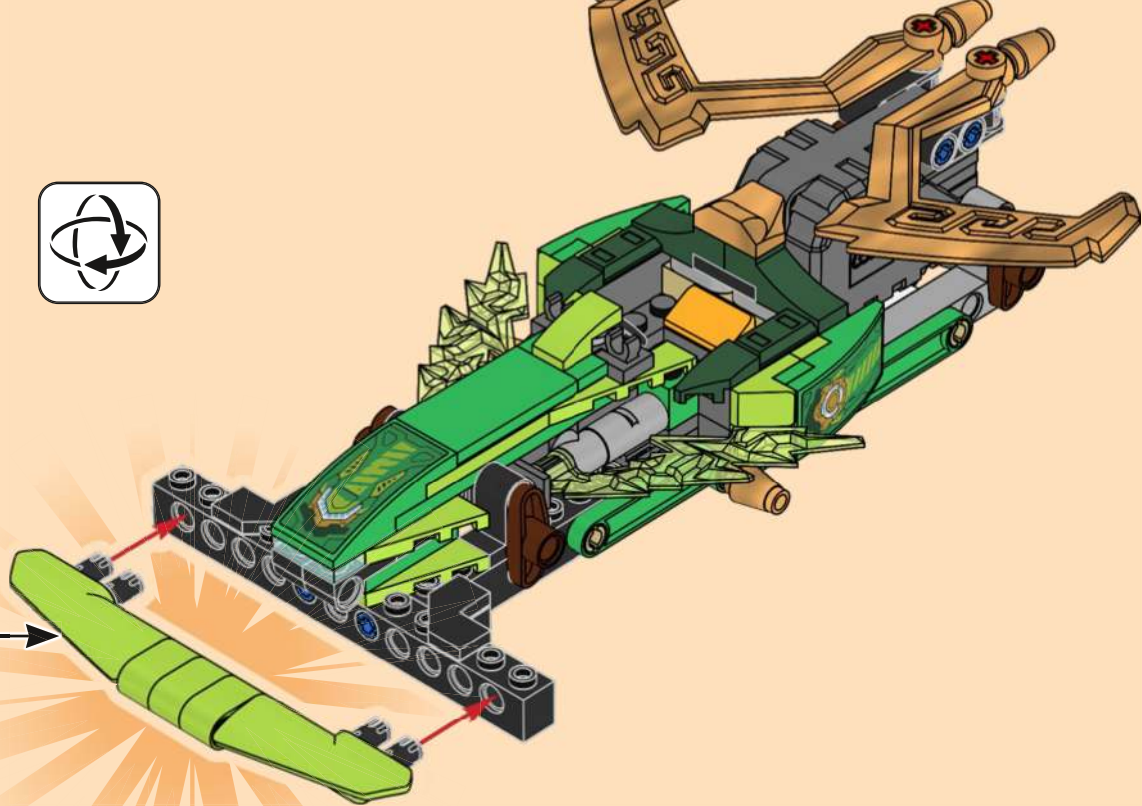
65



66

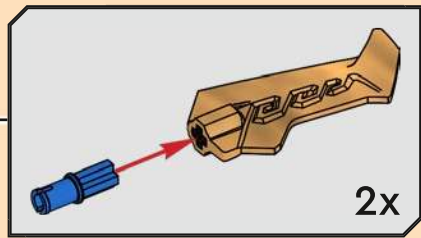
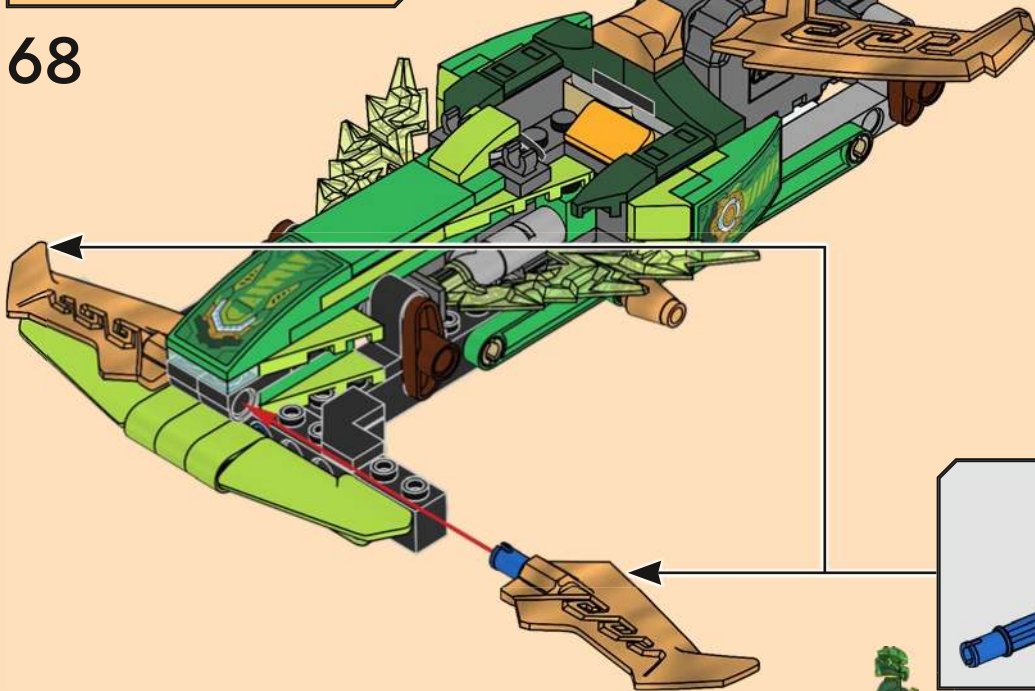


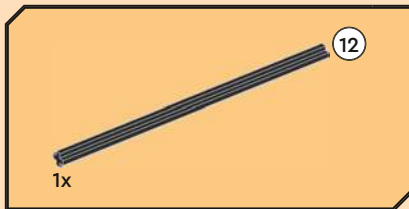
67



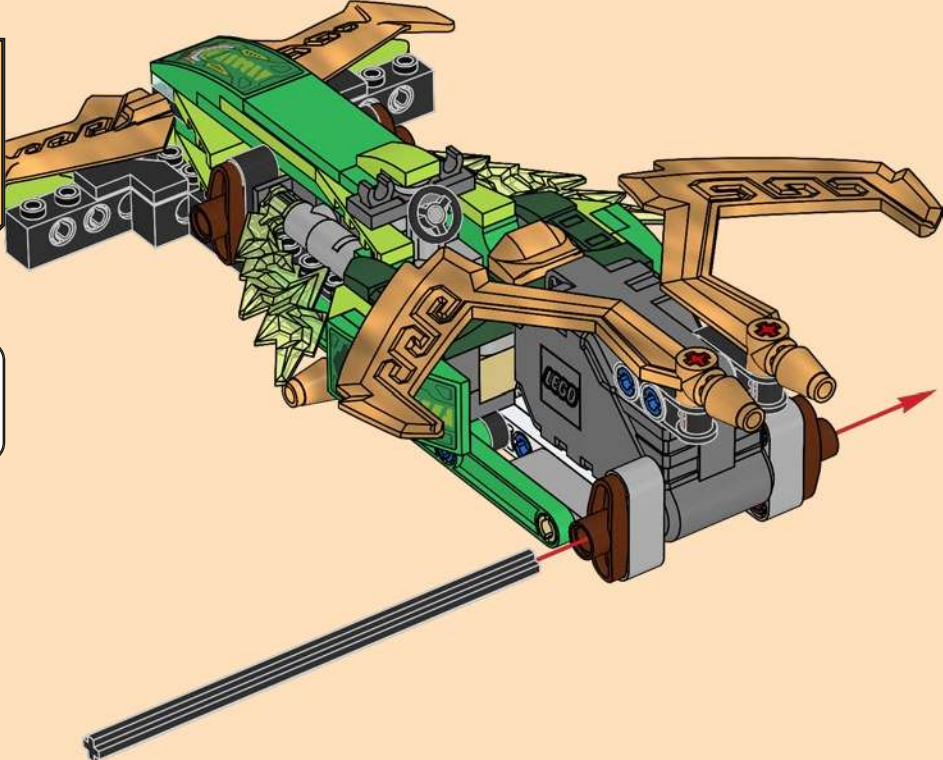


68





69

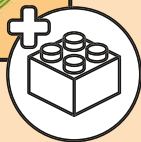
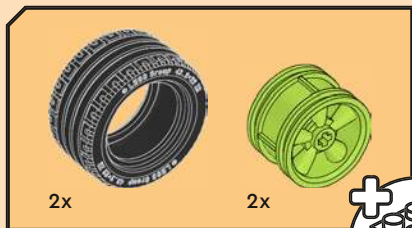




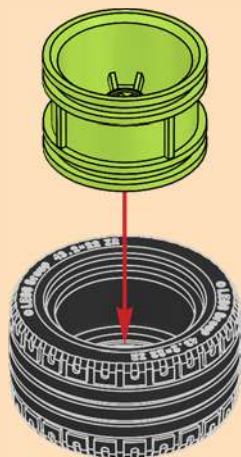
2x

70

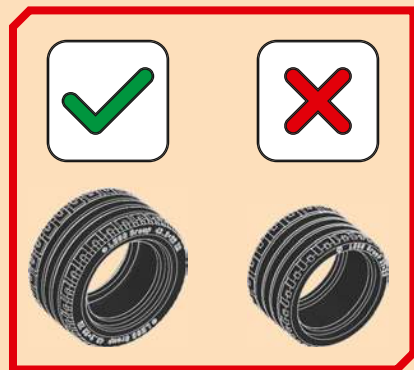


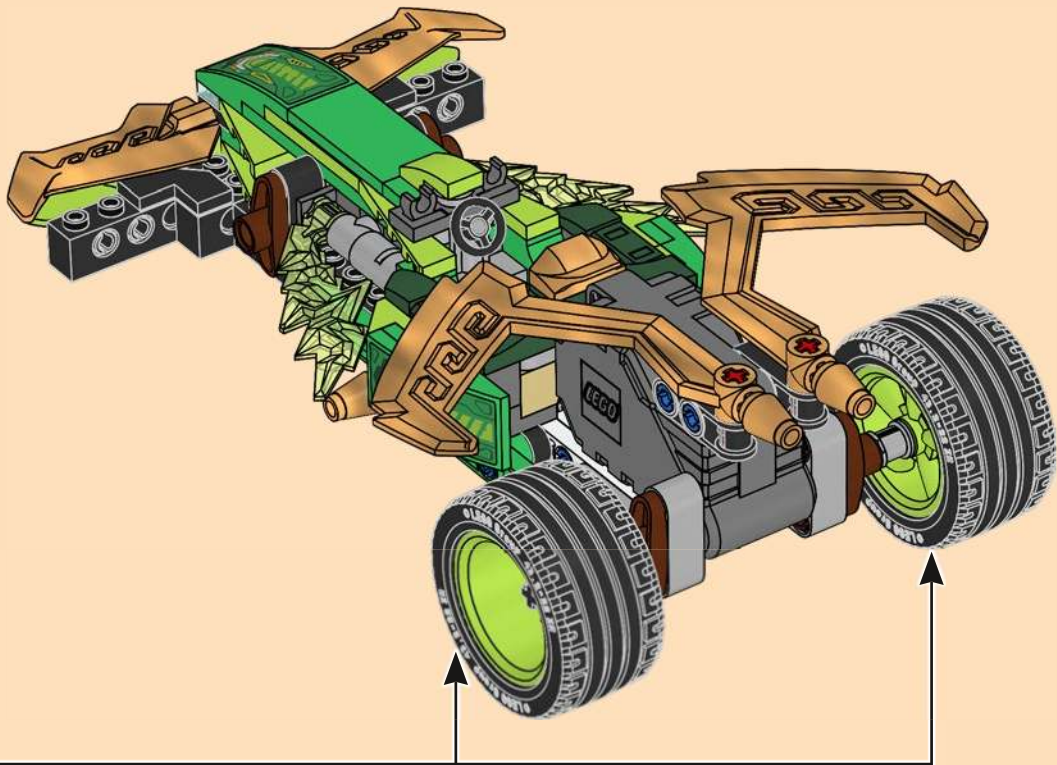


71



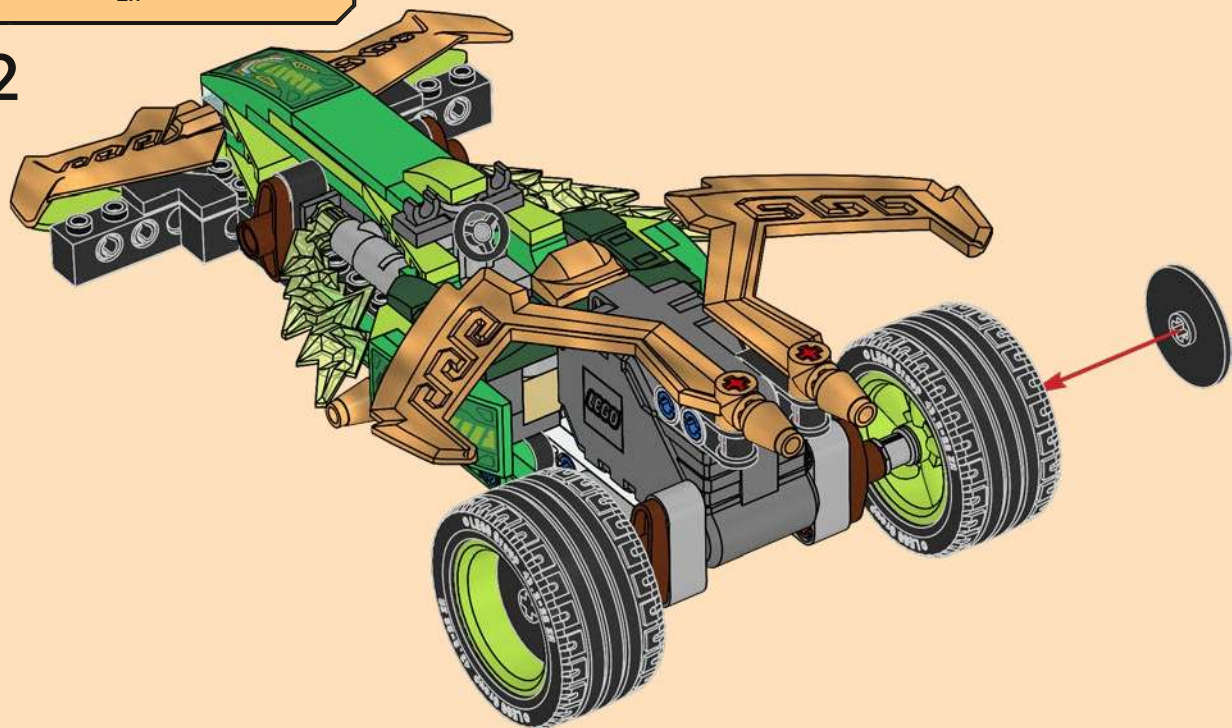
2x

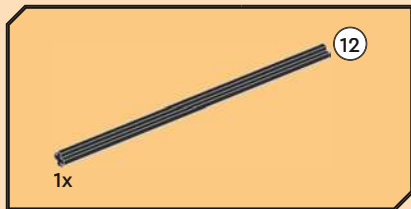




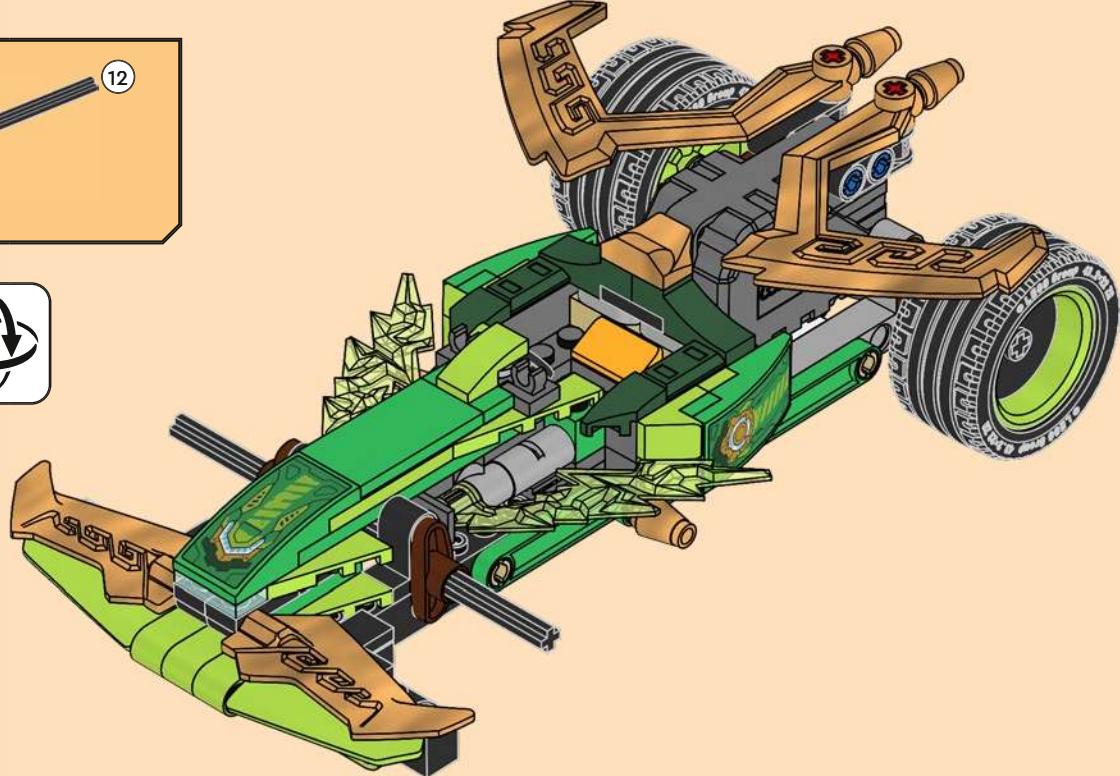


72





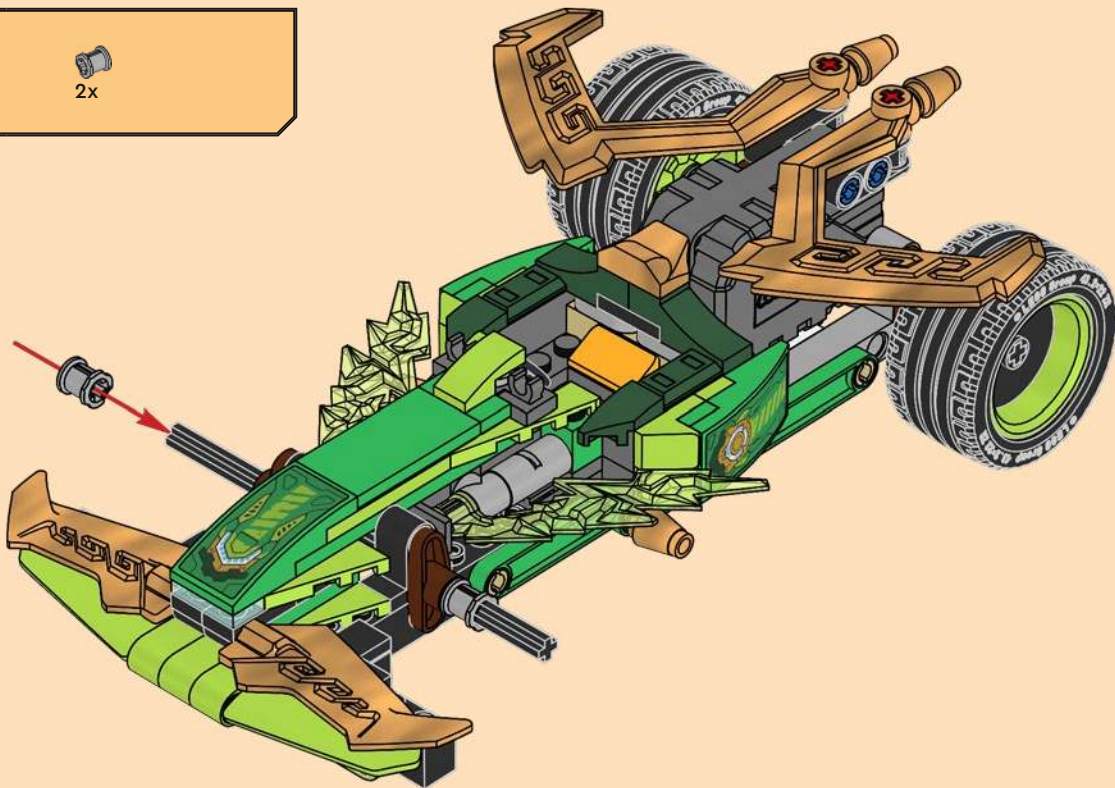
73

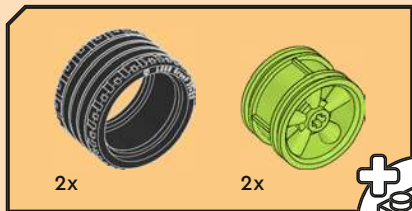




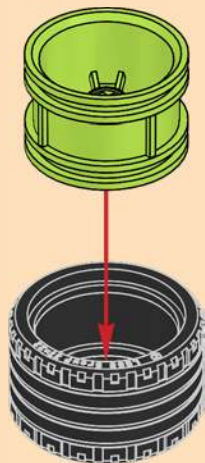
2x

74

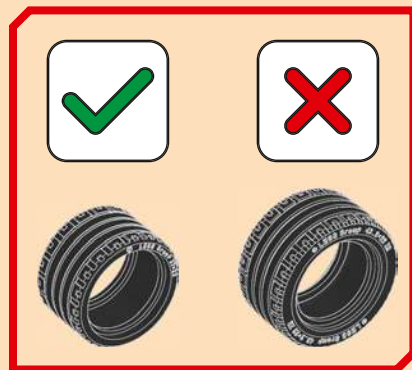


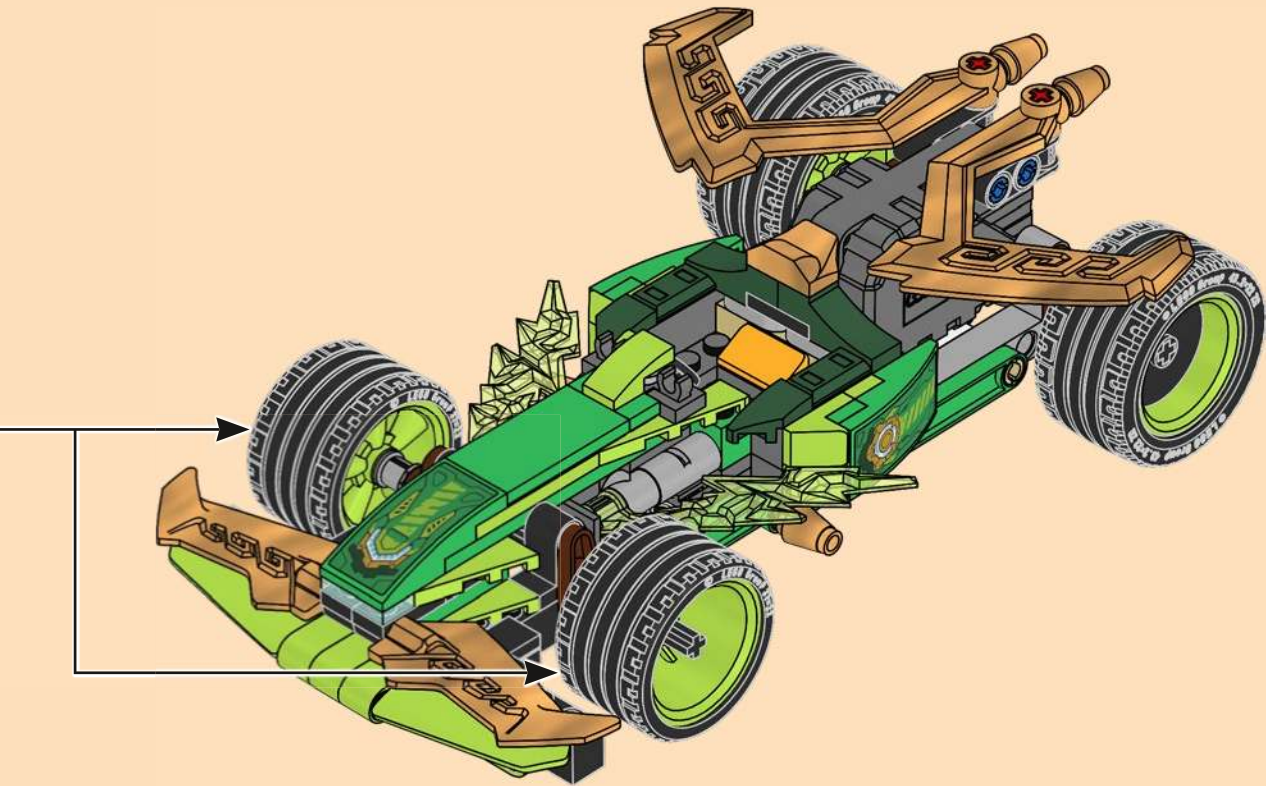


75



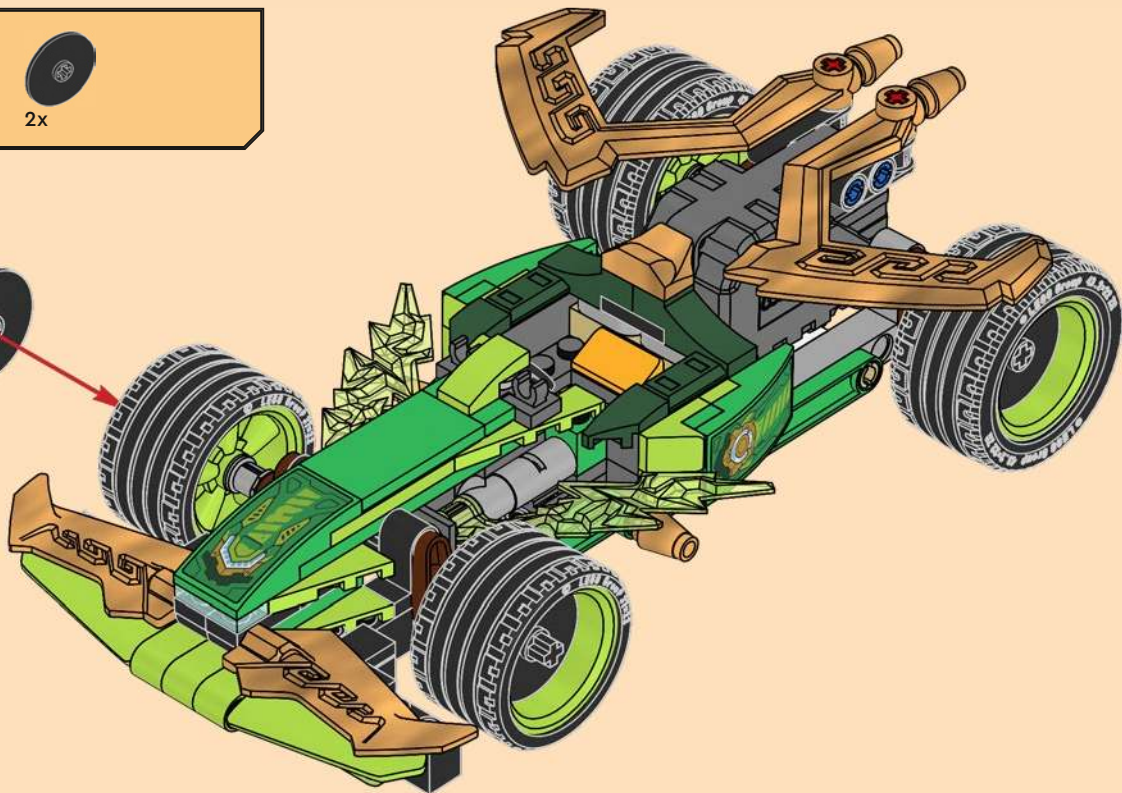
2x

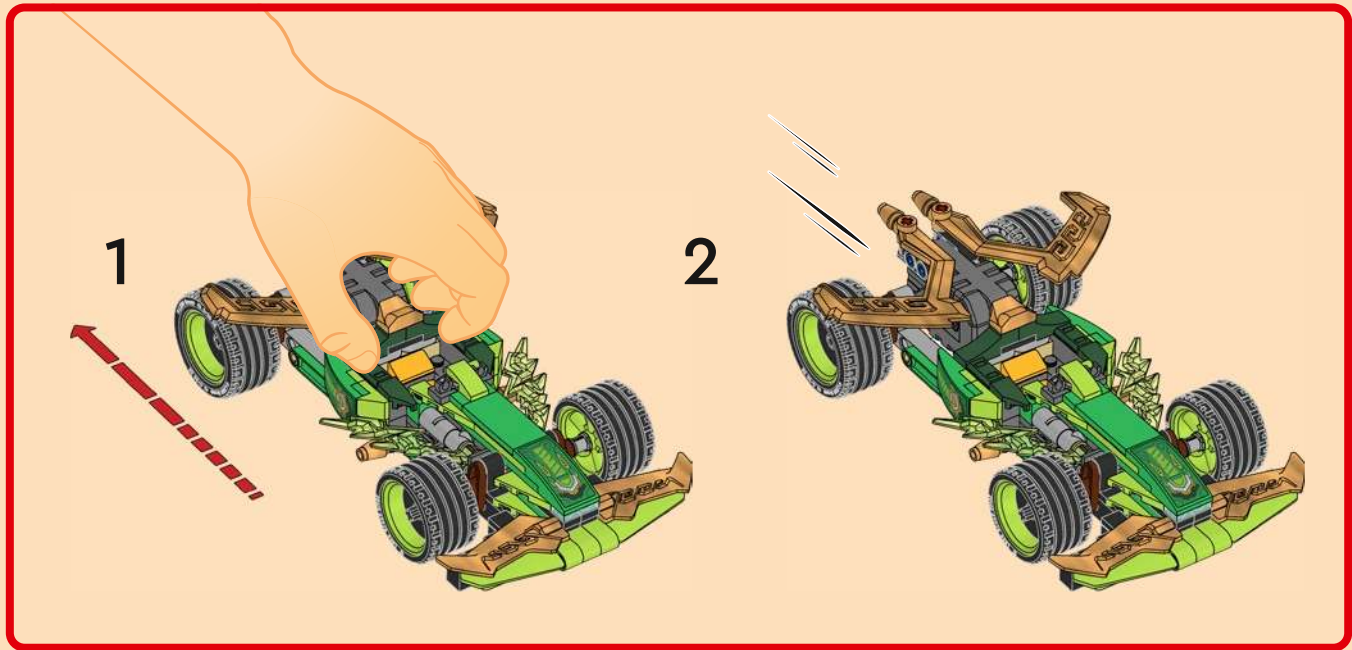






76









**Rebuild  
the  
World™**





**Rebuild  
the  
World™**



4x  
6013938



1x  
4550323



1x  
6518760



2x  
4142865



2x  
4585146



1x  
6524915



4x  
4206482



6x  
6299413



1x  
6434435

1x  
6130007



2x  
6270103



12x  
6279875



2x  
4144024



1x  
4226995



2x  
6192309



1x  
4107761



4x  
4218868

3



2x  
6273708



1x  
302226



2x  
6166859



2x  
6517676



2x  
6518542



1x  
389426



2x  
4184286



1x  
6456527



2x  
370826



1x  
389526



4x  
6360069



2x  
6399788



1x  
6092586



2x  
302328

12



1x  
302128



3x  
6285601



1x  
4566179



4x  
6533193



1x  
303428



1x  
6514007



1x  
6143751



1x  
6352667



2x  
4539908



2x  
4539907



1x  
6340657



3x  
6344866



4x  
6170559



2x  
4164037

1x  
6069006

1x  
4537936

4x  
6530925

1x  
6495605

1x  
6214814

1x  
6528215

1x  
6214813

1x  
6518762

2x  
6331867

2x  
6391596

1x  
6529489

1x  
6528576

2x  
6167741

1x  
6024286

1x  
6133817

4x  
6323704

1x  
4211525

4x  
6275844

5x  
6248890

2x  
6123815

2x  
6173127

1x  
4211639

2x  
4211713

1x  
4211640

2x  
6362259

4x  
4278274

2x  
4210631

1x  
4211060

4x  
6015356

4x  
6469463

1x  
6365692

1x  
6271127

2x  
4210725

1x  
6186825

4x  
4529247

1x  
6375715

2x  
6116596

2x  
6342592

2x  
6481366

2x  
6508043

1x  
4611882

1x  
6518765

1x  
6524925

 [LEGO.com/service](https://www.LEGO.com/service)



5

YOU COULD  
**WIN**



Scan this QR code or go to  
**LEGO.COM/PRODUCTFEEDBACK** and give us  
your short feedback about this LEGO® set for  
a chance to win a cool LEGO prize.

Terms and Conditions apply\*



**EN: YOU COULD WIN.** Terms and Conditions apply\* **DE: Du könntest GEWINNEN.** Es gelten die Teilnahmebedingungen\* **FR: Tu pourrais GAGNER.** Des conditions s'appliquent\* **IT: Potresti VINCERE tu.** Termini e condizioni sono applicabili\* **ES: Puedes GANAR.** Aplican términos y condiciones\* **PT: Poderá GANHAR.** Aplicam-se termos e condições\* **ZH: 轻松获奖. 条款和条件适用\*** **PL: Szansa na WYGRANĄ.** Obowiązują warunki korzystania\* **CS: Máte šanci VYHRÁT.** Platí všeobecné smluvní podmínky\* **SK: Máte šancu VYHRAŤ.** Platia všeobecné zmluvné podmienky\* **HU: TE IS NYERHETSZ.** Felhasználási feltételek érvényesek\* **RO: Ai putea CÂȘTIGA.** Se aplică termenii și condiții\* **BG: Можете да СПЕЧЕЛИТЕ.** Има определени правила и условия\* **LV: Tu vari LAIMĒT.** Ir spēkā noteikumi un nosacījumi.\* **ET: Sul on võimalus VÕITA.** Kehtivad tingimused\* **LT: Jūs galite LAIMĖTI.** Taikomos sąlygos\*

\*[LEGO.com/productfeedback-terms](https://www.lego.com/productfeedback/terms)