

# Lenco

**Model : LBTA-165**



**User manual – Full automatic turntable with Bluetooth**  
**Gebbruikershandleiding – Volautomatische platenspeler met Bluetooth**  
**Benutzerhandbuch - Vollautomatischer Plattenteller mit Bluetooth**  
**Guide d'utilisation - Tourne-disque Bluetooth entièrement automatique**  
**Manual del usuario – Tocadiscos completamente automático con Bluetooth**  
**Brugervejledning – Fulldautomatisk pladespiller med Bluetooth**  
**Bruksanvisning – Helautomatisk skivspelare med Bluetooth**  
**Manuale dell'utente - Giradischi completamente automatico con Bluetooth**  
**Käyttöopas - Täysautomaattinen levysoitin Bluetoothilla**

## **Index**

English.....	3
Nederlands .....	14
Deutsch.....	27
Français.....	40
Español .....	53
Dansk/Norsk.....	66
Svenska .....	77
Italiano.....	88
Suomi.....	101

**CAUTION:**

Usage of controls or adjustments or performance of procedures other than those specified herein may result in hazardous radiation exposure.

**PRECAUTIONS BEFORE USE**

---

**KEEP THESE INSTRUCTIONS IN MIND:**

1. Do not cover or block any ventilation openings. When placing the device on a shelf, leave 5 cm (2") free space around the whole device.
2. Install in accordance with the supplied user manual.
3. Keep the device away from heat sources such as radiators, heaters, stoves, candles and other heat-generating products or naked flame.  
The device can only be used in moderate climates. Extremely cold or warm environments should be avoided. Working temperature between 0° and 35°C.
4. Avoid using the device near strong magnetic fields.
5. Electrostatic discharge can disturb normal usage of this device. If so, simply reset and restart the device following the instruction manual. During file transmission, please handle with care and operate in a static-free environment.
6. Warning! Never insert an object into the product through the vents or openings. High voltage flows through the product and inserting an object can cause electric shock and/or short circuit internal parts. For the same reason, do not spill water or liquid on the product.
7. Do not use in wet or moist areas such as bathrooms, steamy kitchens or near swimming pools.
8. The device shall not be exposed to dripping or splashing and make sure that no objects filled with liquids, such as vases, are placed on or near the apparatus.
9. Do not use this device when condensation may occur. When the unit is used in a warm wet room with damp, water droplets or condensation may occur inside the unit and the unit may not function properly; let the unit stand in power OFF for 1 or 2 hours before turning on the power: the unit should be dry before getting any power.
10. Although this device is manufactured with the utmost care and checked several times before leaving the factory, it is still possible that problems may occur, as with all electrical appliances. If you notice smoke, an excessive build-up of heat or any other unexpected phenomena, you should disconnect the plug from the main power socket immediately.
11. This device must operate on a power source as specified on the specification label. If you are not sure of the type of power supply used in your home, consult your dealer or local power company.
12. Keep away from animals. Some animals enjoy biting on power cords.
13. To clean the device, use a soft dry cloth. Do not use solvents or petrol based fluids. To remove severe stains, you may use a damp cloth with dilute detergent.
14. The supplier is not responsible for damage or lost data caused by malfunction, misuse, modification of the device or battery replacement.
15. Do not interrupt the connection when the device is formatting or transferring files. Otherwise, data may be corrupted or lost.
16. If the unit has USB playback function, the USB memory stick should be plugged into the unit directly. Don't use an USB extension cable because it can cause interference resulting in failing of data.
17. The rating label has been marked on the bottom or back panel of the device.
18. This device is not intended for use by people (including children) with physical, sensory or mental disabilities, or a lack of experience and knowledge, unless they're under supervision or have received instructions about the correct use of the device by the person who is responsible for their safety.
19. This product is intended for non professional use only and not for commercial or industrial use.
20. Make sure the unit is adjusted to a stable position. Damage caused by using this product in an unstable position vibrations or shocks or by failure to follow any other

warning or precaution contained within this user manual will not be covered by warranty.

21. Never remove the casing of this device.
22. Never place this device on other electrical equipment.
23. Do not allow children access to plastic bags.
24. Only use attachments/accessories specified by the manufacturer.
25. Refer all servicing to qualified service personnel. Servicing is required when the device has been damaged in any way, such as the power supply cord or the plug, when liquid has been spilled or objects have fallen into the device, when the device has been exposed to rain or moisture, does not operate normally, or has been dropped.
26. Long exposure to loud sounds from personal music players may lead to temporary or permanent hearing loss.
27. If the product is delivered with power cable or AC power adaptor:
  - If any trouble occur, disconnect the AC power cord and refer servicing to qualified personnel.
  - Don't step on or pinch the power adaptor. Be very careful, particularly near the plugs and the cable's exit point. Do not place heavy items on the power adaptor, which may damage it. Keep the entire device out of children's reach! When playing with the power cable, they can seriously injure themselves.
  - Unplug this device during lightning storms or when unused for a long period.
  - The socket outlet must be installed near the equipment and must be easily accessible.
  - Do not overload ac outlets or extension cords. Overloading can cause fire or electric shock.
  - Devices with class 1 construction should be connected to a main socket outlet with a protective earthed connection.
  - Devices with class 2 construction do not require a earthed connection.
  - Always hold the plug when pulling it out of the main supply socket. Do not pull the power cord. This can cause a short circuit.
  - Do not use a damaged power cord or plug or a loose outlet. Doing so may result in fire or electric shock.
28. If the product contains or is delivered with a remote control containing coin/cell batteries:

Warning:

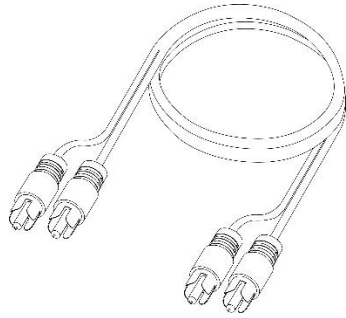
  - "Do not ingest battery, Chemical Burn Hazard" or equivalent warning.
  - [The remote control supplied with] This product contains a coin/button cell battery. If the battery is swallowed, it can cause severe internal burns in just 2 hours and can lead to death.
  - Keep new and used batteries away from children.
  - If the battery compartment does not close securely, stop using the product and keep it away from children.
  - If you think batteries might have been swallowed or placed inside any part of the body, seek immediate medical attention.
29. Caution about the use of Batteries:
  - Danger of explosion if battery is incorrectly replaced. Replace only with the same or equivalent type.
  - Battery cannot be subjected to high or low extreme temperatures, low air pressure at high altitude during use, storage or transportation.
  - Replacement of a battery with an incorrect type that can result in an explosion or the leakage of flammable liquid or gas.
  - Disposal of a battery into fire or a hot oven, or mechanically crushing or cutting of a battery, that can result in an explosion.
  - Leaving a battery in an extremely high temperature surrounding environment that can result in an explosion or that leakage of flammable liquid or gas.
  - A battery subjected to extremely low air pressure that may result in an explosion or the leakage of flammable liquid or gas.
  - Attention should be drawn to the environmental aspects of battery disposal.

## INSTALLATION

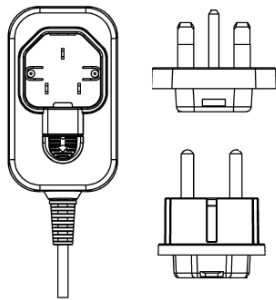
- Unpack all parts and remove protective material.
- Do not connect the unit to the mains before checking the mains voltage and before all other connections have been made.

### Packing Included:

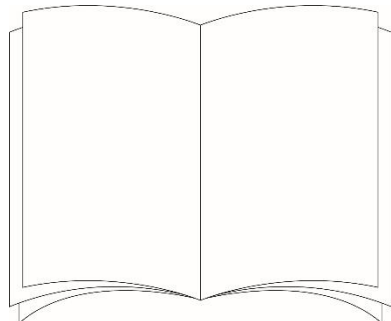
RCA cable



Power adaptor

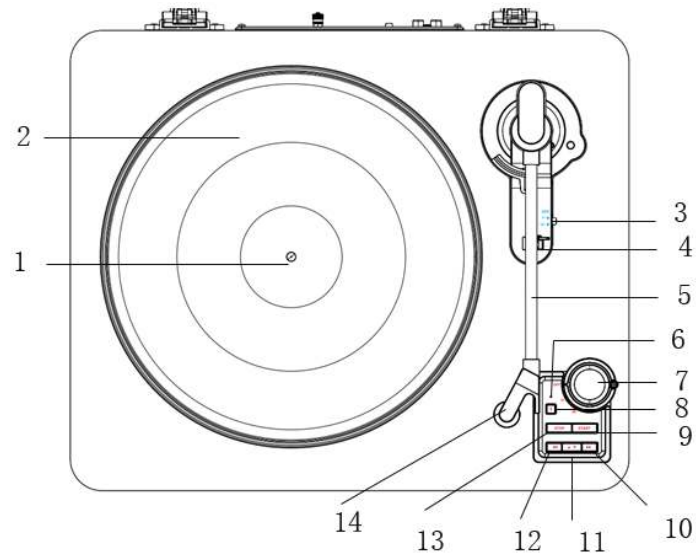


User manual



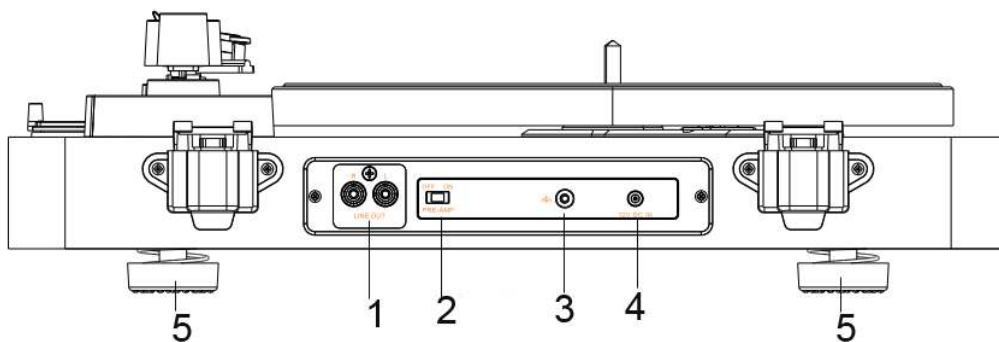
## Product Overview

### Top view:



- |  |                             |
|--|-----------------------------|
| 1. Spindle                               | 8. Bluetooth button         |
| 2. Aluminium platter                     | 9. Start button             |
| 3. Record size selection switch          | 10. Fast forward button     |
| 4. Tone arm holder                       | 11. Up/Down button          |
| 5. Tone arm                              | 12. Fast backward button    |
| 6. Bluetooth indicator                   | 13. Stop button             |
| 7. Power/RPM selector switch (OFF-33-45) | 14. Moving magnet cartridge |

### Rear View:



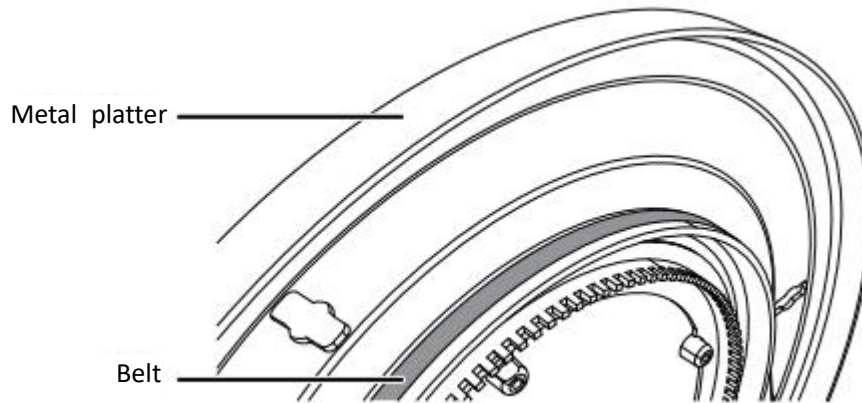
- |                          |                  |
|--------------------------|------------------|
| 1. RCA jack              | 4. DC IN jack    |
| 2. Pre-amp OFF/ON switch | 5. Under-chassis |
| 3. Ground terminal       |                  |

## Setting up your turntable

Please carefully remove the product from the packing case and unpack all packing materials. Check that all accessories are complete. Then choose a flat and safe place to assemble the turntable.

### Installing the metal platter and turntable mat

**Note:** The belt is preinstalled on the bottom of the metal platter



1. Make sure that the belt is not twisted, then use your thumb to stretch the belt until it reaches the round hold in platter.

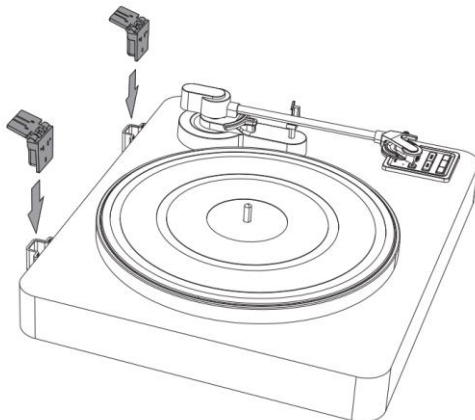
**Note:** Make sure that you place the belt on the metal track and not on the section with teeth.

2. Still holding the belt, flip the platter over, then insert the platter onto the spindle in the center of your turntable.
3. Align the round hole in the platter with the pulley and use your finger to hook the belt onto the pulley.
4. Place the turntable mat on the platter.

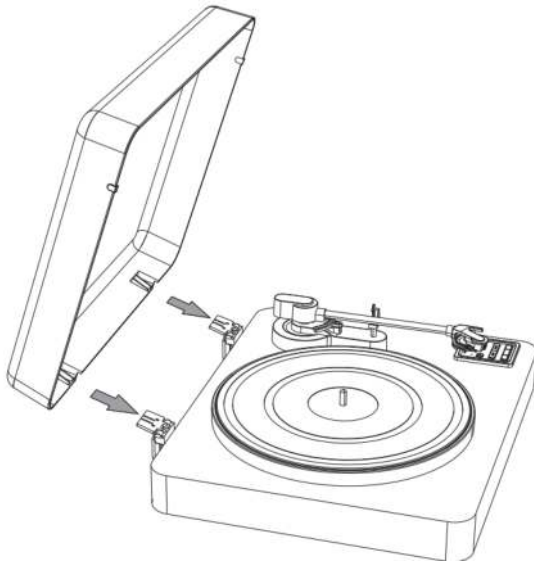
**Note:** When you want to take out the platter from the turntable, remove the mat first, then grasp the platter and pull it upward. This is especially important if you are shipping your turntable to prevent the platter from shaking.

### Installing the dust cover

1. Insert the dust cover hinges into the hinge bases on the back panel of the unit.



2. Hold the dust cover and insert it into the hinges.



### **Power the turntable**

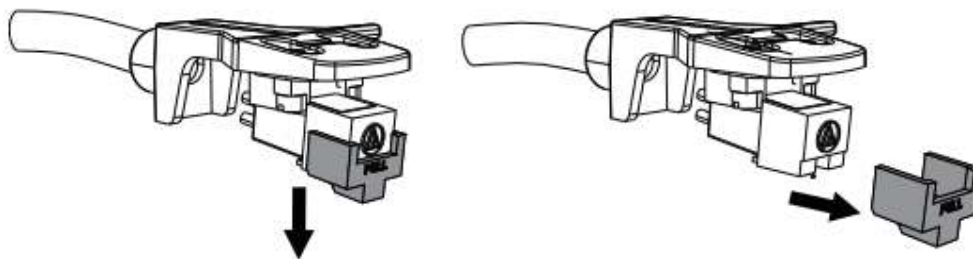
You can power the device with the supplied AC/DC adaptor. Check the rating plate on the AC/DC adapter with your mains power voltage before powering the device on. The AC/DC adapter is 100-240V~50/60Hz input, 12V  $\overline{\text{---}}$  0.6A output.

### **Note:**

- To disconnect the device from the mains, pull out the mains plug out of the wall outlet.
- If there is no operation for 15 minutes after the end of the play, the machine will automatically shut down. To use it again, set the Power/RPM selector switch to the OFF position and then select 33/45 RPM again.

### **Remove the stylus cover**

Please remove the stylus cover before playing the record.



## **Using your turntable**

### **Playing a record**

1. Gently open the top cover.

Note: Be careful not to pinch your finger when opening or closing the top cover.

2. Place a vinyl record on the turntable.

3. Select the appropriate speed by turning the RPM selector switch to 33 or 45. And at the same time, you must select the appropriate size by slid the SIZE selector switch to 7' or 12'.
4. Remove the clip on the tone arm holder to release the tone arm.
5. Press START button, the tone arm will automatically move to the record and start playing the record.
6. Press the **Fast forward/Fast Backward button** to jump the track. Long press will continuously jump the track.
7. Press UP/DOWN button, the tone arm will be raised or lowered. The playback will play or pause.
8. After the record is finished playing, the record stops rotating, and the tone arm will automatically returns to the tone arm seat.

NOTE: When not in use, please fasten the arm lock to prevent the arm from loosening and damaging the stylus or turntable.

#### **Listening to music using Bluetooth speakers**

1. Turn the switch to your record type, 33 or 45. And select the size of record, 7' or 12'
2. Put your Bluetooth speaker in pairing mode.

NOTE: Make sure that Bluetooth is off on any devices in the vicinity that will automatically connect to your speaker.

3. On the turntable, press the Bluetooth button enter to pairing, the Bluetooth indicator will flash blue.
4. When connected successfully, the Bluetooth indicator lights solid.
5. Long press the Bluetooth button can disconnect the currently connected Bluetooth speaker.

Note: If pairing fails, the Bluetooth indicator will light red. You can press the Bluetooth button to restart the pairing or long press the Bluetooth button to exit the Bluetooth transmission.

#### **Listening to through the RCA jacks**

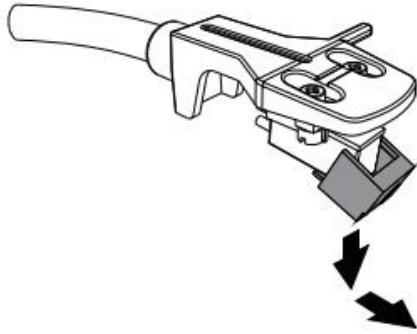
1. Plug the red and white connectors on the included RCA cable into the RCA jack on the back of your turntable, red to red and white to white.
2. Plug the other end of the cable into your speakers, red to right speaker and white to left speaker.
3. Toggle the PRE-AMP ON/OFF switch to selector the output mode.

Connected external device	Switch position
Device with PHONO input	OFF
Device without PHONO input	ON

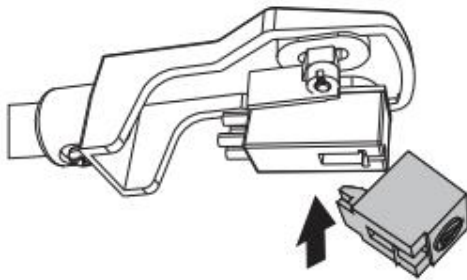
#### **Replacing the stylus (Part number: Audio-Technica ATN3600L)**

The stylus should last about 300 hours under normal use. However, we recommend that you replace the stylus as soon as you notice a change in sound quality. Prolonged use of a worn-out stylus can damage records.

- 1 Turn the RPM selector switch to OFF to turn off the power.
- 2 Remove the stylus by pulling it downward and forward at the same time.



- 3 Insert the new stylus upwards into the slot under the head, then push upward until the tip locks into place.



**CAUTIONS:**

- Do not remove or bend the stylus.
- Do not touch the needle to avoid injuries to your hand.
- Keep out of reach of children.

**Cleaning your turntable**

- Only use a clean, dry cloth.
- Never use chemicals, detergents, or abrasives.
- When you're not using your turntable, close the dust cover to prevent dust or other dirt from getting onto your turntable.

**CAUTION:** Do not spill any liquid on the turntable. This will damage your turntable. If something happens to spill onto the turntable, immediately wipe it clean with a soft, clean cloth.

## Troubleshooting

Check this list for possible troubleshooting solutions before calling for service.

	Problem	Cause	Solution
<b>THE WHOLE UNIT</b>	Power does not come on	Unit is unplugged.	Connect the unit to the AC/DC adaptor power supply.
	No sound from the speakers.	The volume is turned down to MIN; The working input does not match the source input.	Adjust the volume; Reselect a source.
	The sound is noisy.	The unit is too close to a TV set or another similar appliance.	Turn off the TV or other appliance, and re-locate the unit.
	The unit has no response or could not reset.	External factors such as ESD (Electro-static discharge) affect the unit.	Remove the power cord and all power supply devices, then re-plug in the unit after one minute.
<b>PHONO PLAYER</b>	The sound is noisy when playing the record.	The stylus is not placed in the middle center.	Replace a stylus which is placed in middle center.
	The sound is noisy when used for a period of time.	The stylus is damaged.	Please change a new stylus.
	The Phono doesn't work.	The record doesn't fit with the unit. You may choose the 78rpm record to playback.	Select one appropriate record to playback.(33 or 45RPM)
<b>BLUETOOTH</b>	Unable to pair with a Bluetooth device.	(1). The unit is not switch to Bluetooth transmitting mode. (2) Your home Bluetooth amplifier device doesn't turn on. (3) Your device is too far from the unit or there're some obstacle (e.g.wall) between your device and the unit.	(1) Press the PARI button to ensure the unit is switched to transmitting mode. (2) Turn on your home Bluetooth amplifier device (3) Move your Bluetooth device closer to unit.
		The Bluetooth pairing is not successful.	(1) Turn off other Bluetooth device to ensure that your Bluetooth amplifier device which has disconnected to other Bluetooth device. (2) Or delete your Bluetooth connection name on other Bluetooth device (have connected before) paired list. It makes sure that the unit can search your Bluetooth amplifier easily and quickly. (3) Check your Bluetooth device whether it use BQB certified receive or not.

## **Specifications**

### General

Power Source..... AC/DC Adaptor  
Manufacturer..... Guangdong Leetac Electronics Technology Co.,Ltd.  
Model ..... GRP12W-120060  
Input ..... 100-240V~, 50/60Hz, 0.4A  
Output ..... 12.0 V  $\equiv$  0.6 A; 7.2W  
Average active efficiency ..... 82.68%  
Efficiency at low load (10%)..... N/A  
No load Power consumption ..... 0.078W  
Dimensions (W x H x D) ..... 440mm x 137mm x 383mm (approx.)  
Weight ..... 4.458kg (approx.)(not include accessory)

### ***RECORD PLAYER***

Motor..... DC servo motor  
Drive System..... Belt Drive  
Speeds ..... 33-1/3 rpm, 45 rpm,  
Wow Flutter ..... Less than 0.25% (WTD)  
S/N Ratio..... 50 dB  
Cartridge Type ..... Moving Magnetic Cartridge  
Stylus ..... AT3600L  
RCA OUT ..... 200-280 mV (5 cm/sec at 1 KHz-10dB)  
Phono out..... 3-4mv ((5 cm/sec at 1 KHz-10dB)

### ***BLUETOOTH TRANSMIT***

Bluetooth Version..... Bluetooth V5.3  
Bluetooth supports..... A2DP, AVRCP profiles  
Bluetooth Frequency range ..... 2.402GHz-2.480GHz  
Operating Distance ..... 7 meters (30 ft.)

## Guarantee

Commaxx B.V. offers service and warranty in accordance with the European law, which means that in case of repairs (both during and after the warranty period) you should contact your local dealer.

Important note: It is not possible to send products that need repairs to Commaxx B.V. directly.

Important note: If this unit is opened or accessed by a non-official service center in any way, the warranty expires.

This device is not suitable for professional use. In case of professional use, all warranty obligations of the manufacturer will be voided.

## Disclaimer

Updates to Firmware and/or hardware components are made regularly. Therefore some of the instruction, specifications and pictures in this documentation may differ slightly from your particular situation. All items described in this guide for illustration purposes only and may not apply to particular situation. No legal right or entitlements may be obtained from the description made in this manual.

## Disposal of the Old Device



This symbol indicates that the relevant electrical product or battery should not be disposed of as general household waste in Europe. To ensure the correct waste treatment of the product and battery, please dispose them in accordance to any applicable local laws of requirement for disposal of electrical equipment or batteries. In so doing, you will help to conserve natural resources and improve standards of environmental protection in treatment and disposal of electrical waste (Waste Electrical and Electronic Equipment Directive).

## DECLARATION OF CONFORMITY

Hereby, Commaxx declares that the radio equipment type [Lenco LBT-335/LBT-345] is in compliance with directive 2014/53/EU. The full text of the EU declaration of conformity is available at the following internet address:

[https://commaxx-certificates.com/doc/lbta-165\\_doc.pdf](https://commaxx-certificates.com/doc/lbta-165_doc.pdf)

Type RF	Frequency range (MHz)	Power (dBm)
Bluetooth	2402-2480	<6

## Service

For more information and helpdesk support, please visit [www.lenco.com](http://www.lenco.com)

Commaxx B.V. Wiebachstraat 37, 6466 NG, Kerkrade, The Netherlands.

**VOORZICHTIG:**

Het gebruik van bedieningen of afstellingen of het uitvoeren van procedures anders dan hierin gespecificeerd, kan leiden tot blootstelling aan gevaarlijke straling.

**VOORZORGSMAATREGELEN VÓÓR GEBRUIK**

---

**ONTHOUD DEZE INSTRUCTIES:**

1. Bedek of blokkeer geen van de ventilatieopeningen. Als u het apparaat op een schap plaatst, dient u 5 cm ruimte rondom het gehele apparaat vrij te laten.
2. Installeer in overeenstemming met de meegeleverde gebruikershandleiding.
3. Houd het apparaat uit de buurt van warmtebronnen zoals radiatoren, kachels, fornuizen, kaarsen en andere warmtegenererende producten of open vuur. Het apparaat kan alleen worden gebruikt in gematigde klimaten. Extreem koude of warme omgevingen dienen te worden vermeden. Bedrijfstemperatuur tussen 0 en 35 °C.
4. Gebruik het apparaat niet in de buurt van krachtige magnetische velden.
5. Elektrostatische ontlading kan de normale werking van dit apparaat verstoren. Als dit het geval is, stelt u het apparaat gewoon opnieuw in en start u het opnieuw. Volg hierbij de handleiding. Wees voorzichtig tijdens bestandsoverdracht en voer dit uit in een omgeving zonder statische interferentie.
6. Waarschuwing! Steek geen voorwerpen in het product via de ventilatie- of andere openingen. Er is hoge spanning aanwezig in het product en als u er een voorwerp insteekt, kan dat tot elektrische schokken en/of kortsluiting van de interne onderdelen leiden. Laat om dezelfde reden geen water of vloeistof op het product terechtkomen.
7. Gebruik het apparaat niet in natte of vochtige ruimtes zoals badkamers, keukens met veel stoom of in de buurt van zwembaden.
8. Stel het apparaat niet bloot aan druppels of spetters en zorg ervoor dat er geen met vloeistof gevulde voorwerpen, zoals vazen, op of in de buurt van het apparaat worden geplaatst.
9. Gebruik dit apparaat niet als er condensatie kan optreden. Wanneer het apparaat in een warme en vochtige kamer wordt gebruikt, dan kunnen er waterdruppeltjes of condensatie binnenin het apparaat worden gevormd waardoor het apparaat mogelijk niet meer goed werkt; houd en apparaat 1 of 2 uur op UIT staan voordat u de voeding weer inschakelt: het apparaat dient droog te zijn voordat deze stroom ontvangt.
10. Al is dit apparaat met de grootste zorg vervaardigd en meerdere keren gecontroleerd voordat het de fabriek verliet, toch is het mogelijk dat er problemen optreden, zoals bij alle elektrische apparaten. Als u rook, overmatige warmteontwikkeling of andere onverwachte verschijnselen constateert, dient u onmiddellijk de stekker uit het stopcontact te trekken.
11. Dit apparaat moet van stroom worden voorzien door een bron zoals gespecificeerd op het nominale specificatielabel. Als u niet zeker weet welk type stroomvoorziening in uw huis wordt gebruikt, neem dan contact op met uw dealer of het plaatselijke energiebedrijf.
12. Houd uit de buurt van dieren. Sommige dieren houden ervan om aan voedingskabels te bijten.
13. Gebruik een zachte, droge doek om het apparaat schoon te maken. Gebruik geen oplosmiddelen of vloeistoffen op benzinebasis. U kunt een vochtige doek met verdund schoonmaakmiddel gebruiken om hardnekkige vlekken te verwijderen.
14. De leverancier is niet verantwoordelijk voor schade of verlies van gegevens veroorzaakt door storing, misbruik, modificatie van het apparaat of vervanging van de batterij.
15. Zorg ervoor de verbinding niet te verbreken terwijl het apparaat bezig is met formatteren of bestandsoverdracht. Gegevens kunnen anders corrupt of verloren raken.
16. Als het apparaat een USB-afspeelfunctie heeft, moet de USB-geheugenstick rechtstreeks in het apparaat worden gestoken. Gebruik geen USB-verlengsnoer, omdat deze interferentie kan veroorzaken waardoor uw gegevens verloren kunnen gaan.

17. Het nominale specificatielabel is te vinden op het onder- of achterpaneel van het apparaat.
18. Dit product is niet bestemd voor gebruik door personen (waaronder kinderen) met verminderde fysieke, zintuiglijke of mentale capaciteiten, of met een tekort aan kennis en ervaring, tenzij een persoon verantwoordelijk voor hun veiligheid toezicht houdt of instructies heeft gegeven voor het correcte gebruik van het apparaat.
19. Dit product is uitsluitend bedoeld voor niet-professioneel gebruik en niet voor commercieel of industrieel gebruik.
20. Zorg ervoor dit apparaat op een stabiele plek te plaatsen. Beschadigingen veroorzaakt door het gebruik van dit apparaat in een onstabiele positie, trillingen of schokken of door het niet opvolgen van andere waarschuwingen of voorzorgsmaatregelen beschreven in deze gebruikershandleiding, worden niet gedekt door de garantie.
21. Verwijder nooit de behuizing van dit apparaat.
22. Plaats dit apparaat nooit op andere elektrische apparatuur.
23. Houd plastic zakken uit de buurt van kinderen.
24. Gebruik alleen uitbreidingen/accessoires gespecificeerd door de fabrikant.
25. Laat alle reparaties over aan bevoegd onderhoudspersoneel. Reparatie is vereist wanneer het apparaat op enigerlei wijze is beschadigd, zoals een beschadigde voedingskabel of stekker, wanneer vloeistof is gemorst of voorwerpen in het apparaat zijn gevallen, wanneer het apparaat is blootgesteld aan regen of vocht, niet normaal functioneert of is gevallen.
26. Langdurige blootstelling aan harde geluiden van persoonlijke muzikspelers kan leiden tot tijdelijk of permanent gehoorverlies.
27. Als het product wordt geleverd met een voedingskabel of AC-stroomadapter:
  - Als er problemen optreden, koppel de AC-voedingskabel dan los en laat het onderhoud over aan bevoegd personeel.
  - Niet op de stroomadapter gaan staan of deze indrukken. Wees zeer voorzichtig, vooral in de buurt van de stekkers en waar de kabel uit het apparaat komt. Plaats geen zware voorwerpen op de stroomadapter, om beschadiging ervan te voorkomen. Houd het gehele apparaat buiten bereik van kinderen! Wanneer kinderen met de voedingskabel spelen, kunnen zij ernstig letsel oplopen.
  - Koppel dit apparaat los tijdens onweer of wanneer het voor een lange periode niet wordt gebruikt.
  - Het stopcontact moet in de buurt van de apparatuur zijn geïnstalleerd en eenvoudig te bereiken zijn.
  - Zorg ervoor AC-stopcontacten of verlengsnoeren niet te overbelasten. Overbelasting kan tot brand of elektrische schokken leiden.
  - Apparaten met een klasse 1-constructie moeten worden aangesloten op een stopcontact met randaarde.
  - Apparaten met een klasse 2-constructie vereisen geen aardverbinding.
  - Houd altijd de stekker vast wanneer u deze uit het stopcontact trekt. Trek niet aan de voedingskabel. Dit kan anders een kortsluiting veroorzaken.
  - Gebruik geen beschadigde voedingskabel of stekker of een los stopcontact. Dit kan anders leiden tot brand of elektrische schokken.
28. Als het product een afstandsbediening met knoop-/celbatterijen bevat of daarmee wordt geleverd:

Waarschuwing:

  - "Batterij niet inslikken, gevaar voor chemische brandwonden" of soortgelijke werking.
  - [De afstandsbediening meegeleverd met] dit product bevat een knoop-/celbatterij. Als de batterij wordt ingeslikt, kan deze in slechts 2 uur ernstige en zelfs fatale interne brandwonden veroorzaken.
  - Houd zowel nieuwe als gebruikte batterijen uit de buurt van kinderen.
  - Als het batterijvak niet goed sluit, gebruik het product dan niet langer en houd het uit de buurt van kinderen.
  - Als u denkt dat batterijen zijn ingeslikt of in een lichaamsdeel zijn geplaatst, dient u onmiddellijk medische hulp in te roepen.
29. Waarschuwing m.b.t. het gebruik van batterijen:

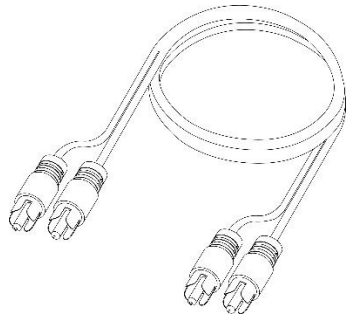
- Risico op ontploffing als de batterij incorrect is geplaatst. Vervang alleen door hetzelfde of een gelijkwaardig type.
- Stel de batterij niet bloot aan extreem hoge of lage temperaturen of een lage luchtdruk op grote hoogte tijdens gebruik, opslag of transport.
- Vervanging van een batterij door een incorrect type kan leiden tot een ontploffing of de lekkage van ontvlambare vloeistoffen of gas.
- Het weggooien van een batterij in vuur of een hete oven of het mechanisch verpletteren of snijden van een batterij kan leiden tot een ontploffing.
- Laat een batterij nooit achter in omgevingen met extreem hoge temperaturen. Anders kan dit leiden tot een ontploffing of de lekkage van ontvlambare vloeistoffen of gas.
- Stel een batterij nooit bloot aan een extreem lage luchtdruk. Anders kan dit leiden tot een ontploffing of de lekkage van ontvlambare vloeistoffen of gas.
- Houd rekening met de impact op het milieu bij het afdanken van batterijen.

#### **INSTALLATIE**

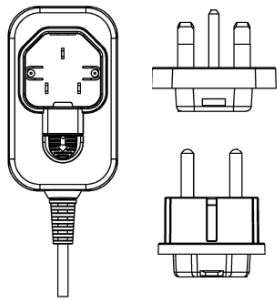
- Pak alle onderdelen uit en verwijder het beschermende materiaal.
- Sluit het apparaat niet aan op het lichtnet voordat de correcte netspanning is geverifieerd en alle andere aansluitingen tot stand zijn gebracht.

**Meegeleverd in de verpakking:**

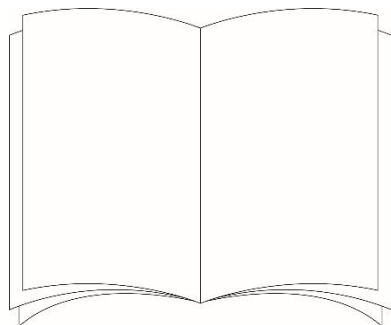
RCA-kabel



Stroomadapter

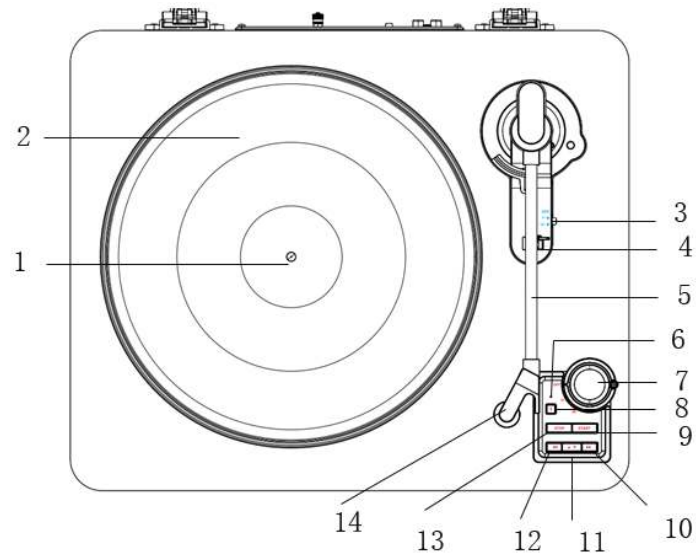


Gebruikershandleiding



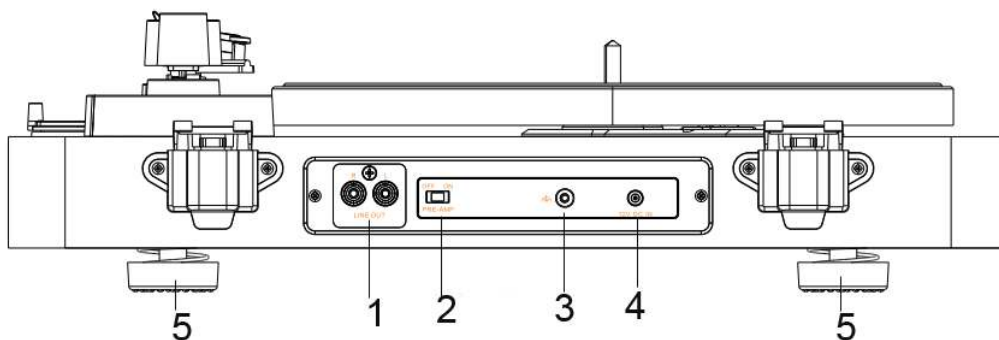
## Productoverzicht

### Bovenaanzicht:



- |  |                                     |
|--|-------------------------------------|
| 1. Spindel   | 8. Bluetooth-toets                  |
| 2. Aluminium plateau                                   | 9. Start-toets                      |
| 3. Schakelaar voor de selectie van het<br>plaatformaat | 10. Vooruitspoelen-toets            |
| 4. Toonarmhouder                                       | 11. Omhoog-/Omlaag-toets            |
| 5. Toonarm   | 12. Terugspoelen-toets              |
| 6. Bluetooth-indicator                                 | 13. Stop-toets                      |
| 7. Aan-uit-/toerenkeuzeschakelaar<br>(UIT-33-45)       | 14. Cartridge met bewegende magneet |

### Achteraanzicht:



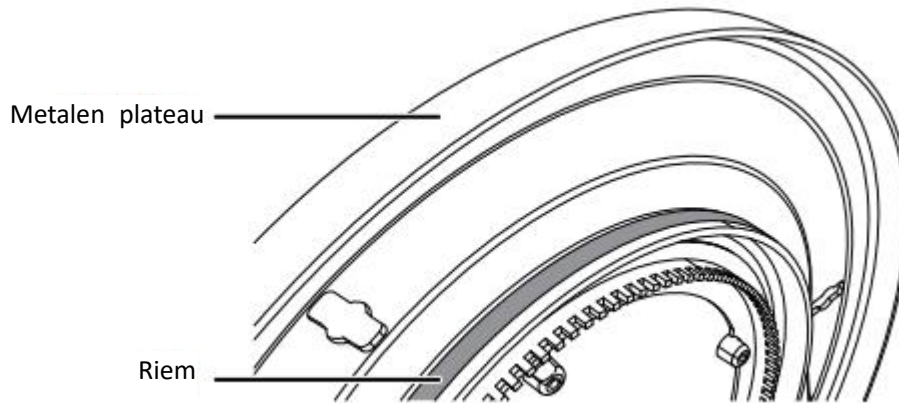
- |                                      |                      |
|--------------------------------------|----------------------|
| 1. RCA-aansluiting                   | 4. DC IN-aansluiting |
| 2. Voorversterker AAN/UIT-schakelaar | 5. Onderchassis      |
| 3. Aardklem                          |                      |

## Uw platenspeler installeren

Verwijder het product voorzichtig uit de verpakkingendoos en pak al het verpakkingsmateriaal uit. Controleer of alle accessoires compleet zijn. Kies vervolgens een vlakke en veilige plek om de platenspeler te monteren.

### Het metalen plateau en de mat van de platenspeler installeren

**Opmerking:** De riem is vooraf geïnstalleerd aan de onderkant van het metalen plateau



1. Zorg ervoor dat de riem niet gedraaid is. Gebruik vervolgens uw duim om de riem uit te rekken totdat deze het ronde vasthoudplateau bereikt.

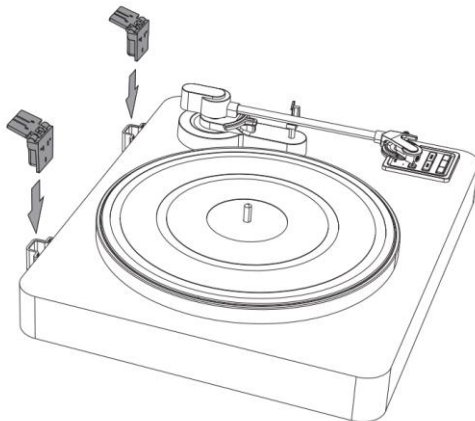
**Opmerking:** Zorg ervoor dat u de riem op de metalen rail legt en niet op het gedeelte met tanden.

2. Terwijl u de riem nog steeds vasthoudt, draait u het plateau om en plaatst u het plateau op de spindel in het midden van uw platenspeler.
3. Lijn het ronde gat in het plateau uit met de poelie. Gebruik uw vinger om de riem aan de poelie vast te haken.
4. Plaats de mat van de platenspeler op het plateau.

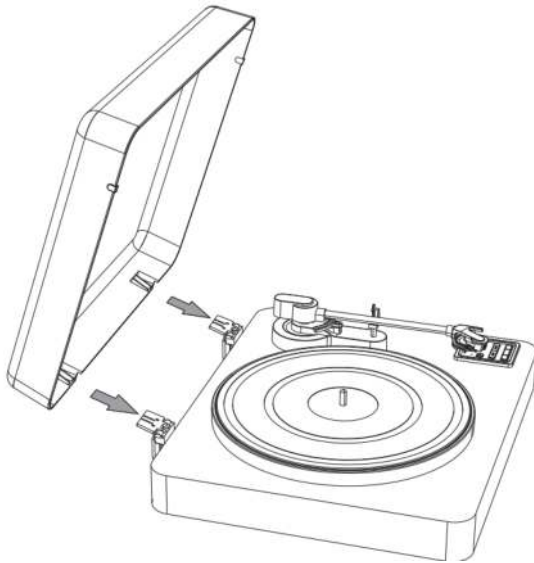
**Opmerking:** Wanneer u het plateau van de platenspeler wilt halen, verwijdert u eerst de mat, pakt u vervolgens het plateau vast en trekt u het daarna omhoog. Dit is vooral belangrijk om te voorkomen dat het plateau gaat schudden als u uw platenspeler vervoert.

### De stofkap installeren

1. Steek de scharnieren van de stofkap in de scharniergevoeten op het achterpaneel van het apparaat.



2. Houd de stofkap vast en steek deze in de scharnieren.



### **De platenspeler van stroom voorzien**

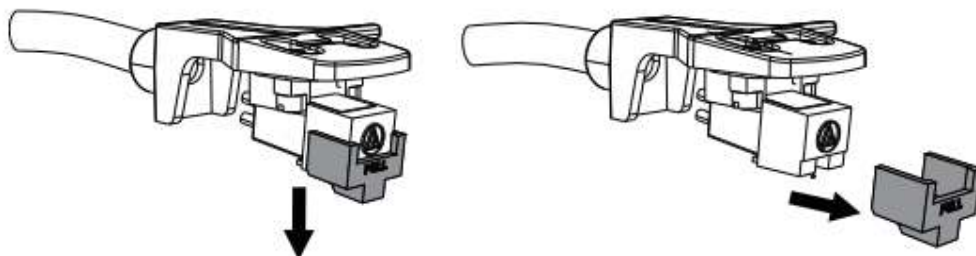
U kunt het apparaat van stroom voorzien met de meegeleverde AC/DC-adapter. Controleer of het typeplaatje op de AC/DC-adapter overeenkomt met uw netspanning voordat u het apparaat inschakelt. De AC/DC-adapter heeft een ingang van 100-240 V~50/60 Hz. De uitgang is 12 V  $\text{---}$  0,6 A.

### **Opmerking:**

- Trek de stekker uit het stopcontact om het apparaat los te koppelen van het lichtnet.
- Als er gedurende 15 minuten na het einde van het afspelen geen bediening plaatsvindt, wordt het apparaat automatisch uitgeschakeld. Zet de aan-uit-/toerenkeuzeschakelaar in de UIT-positie en selecteer vervolgens opnieuw 33/45 toeren om het opnieuw te gebruiken.

### **De naaldkap verwijderen**

Verwijder de naaldkap voordat u de plaat afspeelt.



## Uw platenspeler gebruiken

### Een plaat afspelen

1. Open voorzichtig de bovenkap.

Opmerking: Zorg ervoor dat uw vinger niet gekneld raakt wanneer u de bovenkap opent of sluit.

2. Leg een vinylplaat op de platenspeler.
3. Selecteer de geschikte snelheid door de toerenkeuzeschakelaar op 33 of 45 te zetten. Tegelijkertijd moet u het geschikte formaat selecteren door de FORMAAT-keuzeschakelaar op 7' of 12' te schuiven.
4. Verwijder de klem op de toonarmhouder om de toonarm los te maken.
5. Druk op de START-toets. De toonarm gaat automatisch naar de plaat en begint de plaat af te spelen.
6. Druk op de **Vooruitspoelen-/Terugspoelen-toets** om door de track te springen. Als u lang drukt, verspringt de track continu.
7. Druk op de OMHOOG-/OMLAAG-toets om de toonarm op te tillen of te laten zakken. Het afspelen wordt gestart of gepauzeerd.
8. Nadat de plaat is afgespeeld, stopt de plaat met draaien en keert de toonarm automatisch terug naar de toonarmzitting.

OPMERKING: Maak de armvergrendeling vast wanneer u het apparaat niet gebruikt. Zo voorkomt u dat de arm losraakt en de naald of platenspeler beschadigt.

### Luisteren naar muziek met Bluetooth-speakers

1. Zet de schakelaar op uw type plaat, 33 of 45. Selecteer het formaat van de plaat, 7' of 12'
2. Zet uw Bluetooth-speaker in de koppelingsmodus.

OPMERKING: Zorg ervoor dat Bluetooth is uitgeschakeld op apparaten in de buurt die automatisch verbinding maken met uw speaker.

3. Druk op de platenspeler op de Bluetooth-toets om de koppeling tot stand te brengen. De Bluetooth-indicator knippert blauw.
4. Wanneer de verbinding tot stand is gebracht, brandt de Bluetooth-indicator continu.
5. Als u lang op de Bluetooth-toets drukt, kunt u de verbinding met de momenteel verbonden Bluetooth-speaker verbreken.

Opmerking: Als het koppelen mislukt, brandt de Bluetooth-indicator rood. U kunt op de Bluetooth-toets drukken om het koppelen opnieuw te starten. Of u kunt lang op de Bluetooth-toets drukken om de Bluetooth-transmissie te beëindigen.

### Luisteren via de RCA-aansluitingen

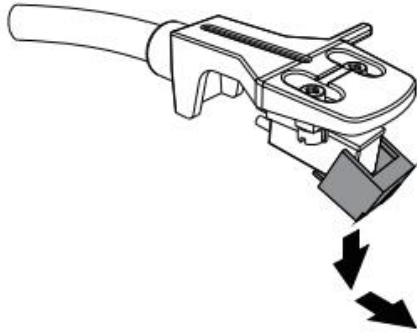
1. Steek de rode en witte stekkers van de meegeleverde RCA-kabel in de RCA-aansluiting aan de achterkant van uw platenspeler: rood in rood en wit in wit.
2. Sluit het andere uiteinde van de kabel aan op uw speakers: rood op de rechterspeaker en wit op de linkerspeaker.
3. Schakel de VOORVERSTERKER AAN/UIT-schakelaar in of uit om de uitgangsmodus te selecteren.

Aangesloten extern apparaat	Positie van de schakelaar
Apparaat met PHONO-ingang	UIT
Apparaat zonder PHONO-ingang	AAN

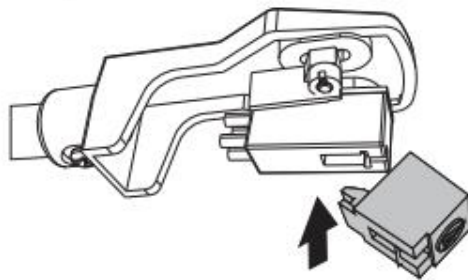
### **De naald vervangen (onderdeelnummer: Audio-Technica ATN3600L)**

Bij normaal gebruik zou de naald ongeveer 300 uur moeten meegaan. We raden u echter aan om de naald te vervangen zodra u een verandering in de geluidskwaliteit opmerkt. Langdurig gebruik van een versleten naald kan platen beschadigen.

- 1 Zet de toerenkeuzeschakelaar op UIT om de voeding uit te schakelen.
- 2 Verwijder de naald door deze tegelijkertijd omlaag en naar voren te trekken.



- 3 Steek de nieuwe naald naar boven in de gleuf onder de kop. Duw deze vervolgens omhoog totdat de punt op zijn plaats vergrendelt.



#### **VOORZICHTIG:**

- Verwijder de naald niet en buig deze niet.
- Raak de naald niet aan. Zo voorkomt u letsel aan uw hand.
- Houd buiten bereik van kinderen.

#### **Uw platenspeler schoonmaken**

- Gebruik alleen een schone, droge doek.
- Gebruik nooit chemicaliën, detergenten of schuurmiddelen.
- Wanneer u uw platenspeler niet gebruikt, sluit u de stofkap om te voorkomen dat er stof of ander vuil op uw platenspeler terecht komt.

**VOORZICHTIG:** Mors geen vloeistof op uw platenspeler. Hierdoor beschadigt u uw platenspeler. Als u iets op de platenspeler morst, veegt u deze onmiddellijk schoon met een zachte, schone doek.

## Probleemoplossing

Controleer deze lijst op mogelijke oplossingen voor het oplossen van problemen voordat u belt voor service.

	Probleem	Oorzaak	Oplossing
<b>HET HELE APPARAAT</b>	Voeding wordt niet ingeschakeld	Apparaat is losgekoppeld.	Sluit het apparaat aan op de stroomvoorziening met de AC/DC-adapter.
	Geen geluid uit de speakers.	Het volume is op MIN gezet; De bedrijfsingang komt niet overeen met de broningang.	Pas het volume aan; Selecteer opnieuw een bron.
	Het geluid is ruisachtig.	Het apparaat staat te dicht bij een tv-toestel of andere vergelijkbare apparatuur.	Schakel de tv of de andere apparatuur uit en verplaats het apparaat.
	Het apparaat reageert niet of kan niet opnieuw worden ingesteld.	Externe factoren zoals ESD (elektrostatische ontlading) beïnvloeden het apparaat.	Verwijder de voedingskabel en alle voedingsapparaten. Vervolgens sluit u het apparaat na één minuut opnieuw aan.
<b>PHONO-SPELER</b>	Het geluid is ruisachtig bij het afspelen van de plaat.	De naald is niet in het midden geplaatst.	Plaats een naald die wel in het midden is geplaatst.
	Het geluid is ruisachtig wanneer het apparaat voor een periode wordt gebruikt.	De naald is beschadigd.	Plaats een nieuwe naald.
	De phono werkt niet.	De plaat past niet bij het apparaat. Mogelijk kiest u een 78-toerenplaat om af te spelen.	Selecteer één geschikte plaat om af te spelen (33 of 45 toeren)

Probleem		Oorzaak	Oplossing
BLUETOOTH	Kan niet koppelen met een Bluetooth-apparaat.	<p>(1). Het apparaat schakelt niet over naar de Bluetooth-transmissiemodus.</p> <p>(2) De Bluetooth-versterker in uw woning wordt niet ingeschakeld.</p> <p>(3) Uw versterker is te ver verwijderd van het apparaat of er zijn obstakels (<u>bijvoorbeeld</u> een muur) tussen uw versterker en het apparaat.</p>	<p>(1) Druk op de KOPPELEN-toets om ervoor te zorgen dat het apparaat overschakelt naar de transmissiemodus.</p> <p>(2) Schakel de Bluetooth-versterker in uw woning in</p> <p>(3) Plaats uw Bluetooth-versterker dichterbij het apparaat.</p>
		De Bluetooth-koppeling is niet geslaagd.	<p>(1) Schakel andere Bluetooth-apparaten uit om ervoor te zorgen dat uw Bluetooth-versterker de verbinding met een ander Bluetooth-apparaat verbreekt.</p> <p>(2) Of verwijder de naam van uw Bluetooth-verbinding uit de lijst met gekoppelde Bluetooth-apparaten (die eerder verbinding hebben gemaakt). Dit zorgt ervoor dat het apparaat uw Bluetooth-versterker gemakkelijk en snel kan zoeken.</p> <p>(3) Controleer of uw Bluetooth-apparaat gebruikmaakt van BQB-gecertificeerde ontvangst of niet.</p>

## **Specificaties**

### Algemeen

Stroombron .....	AC/DC-adapter
Fabrikant.....	Guangdong Leetac Electronics Technology Co., Ltd.
Model .....	GRP12W-120060
Ingang .....	100-240 V~, 50/60 Hz, 0,4 A
Uitgang .....	12,0 V $\equiv$ 0,6 A; 7,2 W
Gemiddelde actieve efficiëntie.....	82,68%
Efficiëntie bij lage belasting (10%)....	N.v.t.
Stroomverbruik bij geen belasting ...	0,078 W
Afmetingen (B x H x D).....	440 mm x 137 mm x 383 mm (ongeveer)
Gewicht.....	4,458 kg (ongeveer)(exclusief accessoires)

### ***PLATENSPELER***

Motor.....	DC-servomotor
Aandrijfsysteem .....	Riemaandrijving
Snelheden.....	33-1/3 toeren, 45 toeren,
Wow en flutter.....	Minder dan 0,25% (WTD)
S/R-verhouding.....	50 dB
Type cartridge .....	Cartridge met bewegende magneet
Naald.....	AT3600L
RCA OUT .....	200-280 mV (5 cm/sec bij 1 kHz-10 dB)
Phono out.....	3-4 mV (5 cm/sec bij 1 kHz-10 dB)

### ***BLUETOOTH-TRANSMISSIE***

Bluetooth-versie .....	Bluetooth V5.3
Bluetooth ondersteunt .....	A2DP-, AVRCP-profielen
Bluetooth-frequentiebereik.....	2,402 GHz-2,480 GHz
Bedrijfsafstand.....	7 meter (30 feet)

## Garantie

Commaxx B.V. verleent service en garantie in overeenstemming met de Europese wetgeving, wat betekent dat u bij reparaties (zowel tijdens als na de garantieperiode) contact dient op te nemen met uw lokale dealer.

Belangrijke opmerking: Het is niet mogelijk om te repareren producten direct naar Commaxx B.V. te sturen.

Belangrijke opmerking: Als dit apparaat op enigerlei wijze wordt geopend door de gebruiker of een niet-officieel servicecentrum, komt de garantie te vervallen.

Dit apparaat is niet geschikt voor professioneel gebruik. Bij professioneel gebruik vervallen alle garantieverplichtingen van de fabrikant.

## Disclaimer

Er worden regelmatig updates voor de firmware en/of hardwarecomponenten uitgegeven. Daarom kunnen sommige instructies, specificaties en afbeeldingen in deze documentatie enigszins afwijken van uw specifieke situatie. Alle items beschreven in deze handleiding, zijn alleen bestemd ter illustratie en zijn mogelijk niet van toepassing op een bepaalde situatie. Aan de beschrijving in deze handleiding kunnen geen wettelijke rechten of aanspraken worden ontleend.

## Het oude apparaat afdanken



Dit symbool geeft aan dat het betreffende elektrische product of de batterij in Europa niet als algemeen huishoudelijk afval mag worden afgevoerd. Om ervoor te zorgen dat het product en de batterij op de juiste manier worden verwerkt, dient u deze af te danken in overeenstemming met de toepasselijke lokale wetgeving met betrekking tot de verwijdering van elektrische apparatuur of batterijen. U helpt hierdoor natuurlijke hulpbronnen te behouden en de normen voor milieubescherming bij de behandeling en verwijdering van elektrisch afval te verbeteren (richtlijn afgedankte elektrische en elektronische apparatuur).

## CONFORMITEITSVERKLARING

Hierbij verklaart Commaxx dat het type radioapparatuur [Lenco LBT-335/LBT-345] in overeenstemming is met richtlijn 2014/53/EU. De volledige tekst van de EU-conformiteitsverklaring is beschikbaar op het volgende internetadres:

[https://commaxx-certificates.com/doc/lbta-165\\_doc.pdf](https://commaxx-certificates.com/doc/lbta-165_doc.pdf)

Type RF	Frequentiebereik (MHz)	Vermogen (dBm)
Bluetooth	2402-2480	<6

## Service

Bezoek voor meer informatie en helpdeskondersteuning [www.lenco.com](http://www.lenco.com)

Commaxx B.V. Wiebachstraat 37, 6466 NG, Kerkrade, The Netherlands.

**VORSICHT:**

Eine andere als die hier beschriebene Benutzung der Bedienelemente oder Einstellung oder Durchführung von Abläufen kann zu einer Aussetzung gefährlicher Strahlung führen.

**VORSICHTSMASSNAHMEN VOR DER BENUTZUNG**

**BEFOLGEN SIE IMMER FOLGENDE ANWEISUNGEN:**

1. Blockieren oder bedecken Sie keine Lüftungsöffnungen. Wenn Sie das Gerät auf ein Regal stellen, lassen Sie um das gesamte Gerät 5 cm (2") Freiraum.
2. Stellen Sie das Gerät entsprechend den Anweisungen der mitgelieferten Bedienungsanleitung auf.
3. Halten Sie das Gerät von Hitzequellen wie Radiatoren, Heizern, Öfen, Kerzen oder anderen hitzeerzeugenden Produkten oder offenen Flammen fern.  
Das Gerät darf nur bei gemäßigttem Klima verwendet werden. Sehr kalte oder heiße Umgebungen sind zu vermeiden. Die Betriebstemperatur liegt zwischen 0 °C und 35 °C.
4. Meiden Sie bei der Benutzung des Produkts die Nähe starker Magnetfelder.
5. Elektrostatische Entladungen können die normale Benutzung dieses Gerätes stören. Sollte dies geschehen, setzen Sie das Gerät zurück und starten Sie es dann entsprechend den Anweisungen dieser Bedienungsanleitung neu. Gehen Sie besonders bei Datenübertragungen mit dem Gerät vorsichtig um und führen Sie diese nur in einer anti-elektrostatischen Umgebung aus.
6. Warnung! Niemals Gegenstände durch die Lüftungsschlitze oder Öffnungen in das Gerät stecken. Dieses Gerät steht unter Hochspannung. Das Hineinstecken von Gegenständen kann zu Stromschlag und/oder Kurzschluss interner elektrischer Bauteile führen. Spritzen/gießen Sie aus dem gleichen Grund weder Wasser noch andere Flüssigkeiten auf das Gerät.
7. Benutzen Sie das Gerät nicht in nasser oder feuchter Umgebung wie Bad, Dampfküche oder in der Nähe von Schwimmbecken.
8. Das Gerät darf weder Tropf- noch Spritzwasser ausgesetzt werden und es dürfen keine mit Flüssigkeit gefüllten Behälter wie z. B. Vasen auf das Gerät oder in der Nähe des Gerätes gestellt werden.
9. Benutzen Sie das Gerät nicht, wenn Kondensation entstehen kann. Wenn Sie das Gerät in einem warmen, feuchten Raum mit Dampf benutzen, können Wassertropfen oder Kondensation in das Gerät eindringen und u. U. zu Fehlfunktionen des Gerätes führen. Schalten Sie in diesem Fall das Gerät für 1 bis 2 Stunden aus, bevor Sie es erneut einschalten, wobei Sie darauf achten sollten, dass das Gerät vollständig getrocknet ist, bevor Sie es wieder einschalten.
10. Obwohl dieses Gerät unter größter Sorgfalt hergestellt und vor Auslieferung mehrmals überprüft wurde, können trotzdem wie bei jedem anderen elektrischen Gerät auch Probleme auftauchen. Trennen Sie das Gerät bei Rauchentwicklung, starker Hitzeentwicklung oder jeder anderen unnatürlichen Erscheinung sofort vom Stromnetz.
11. Dieses Gerät ist durch eine Stromquelle wie auf dem Typenschild angegeben zu betreiben. Halten Sie bei Unsicherheiten über die Art Ihrer Stromversorgung in Ihrer Wohnung Rücksprache mit Ihrem Händler oder Ihrem Stromversorger.
12. Halten Sie das Gerät von Haustieren fern. Einige Nagetiere nagen gerne an Netzkabeln.
13. Benutzen Sie für die Reinigung ein weiches, trockenes Tuch. Benutzen Sie niemals Lösungsmittel oder Flüssigkeiten auf Ölbasis.  
Benutzen Sie zum Entfernen hartnäckiger Flecken ein feuchtes Tuch mit mildem Reinigungsmittel.
14. Der Hersteller haftet nicht für Beschädigungen oder Datenverluste aufgrund von Fehlfunktion, Zweckentfremdung oder Modifikation des Gerätes oder aufgrund des Wechselns der Batterie.
15. Unterbrechen Sie die Verbindung nicht während einer Formatierung oder einer Datenübertragung. Bei Unterbrechung drohen Datenverlust und Datenbeschädigung.
16. Wenn das Gerät eine USB-Wiedergabefunktion besitzt, stecken Sie den USB-Stick direkt in das Gerät. Verwenden Sie kein USB-Verlängerungskabel, weil die erhöhte Störungsanfälligkeit zu Datenverlust führen kann.

17. Das Typenschild befindet sich an der Unter- oder Rückseite des Gerätes.
18. Dieses Gerät ist nicht zur Benutzung durch Personen (einschließlich Kinder) mit physischen, sensorischen oder mentalen Beeinträchtigungen oder ohne ausreichende Erfahrung vorgesehen, es sei denn, sie werden durch eine für ihre Sicherheit verantwortliche Person beaufsichtigt oder wurden in die ordnungsgemäße Bedienung des Gerätes durch eine für ihre Sicherheit verantwortliche Person eingewiesen.
19. Dieses Produkt ist nur für den nicht-professionellen Gebrauch und nicht für gewerbliche oder industrielle Zwecke bestimmt.
20. Stellen Sie sicher, dass das Gerät in einer stabilen Position aufgestellt ist. Schäden, die durch Verwendung dieses Produkts in einer instabilen Position, durch Vibrationen, Stöße oder Nichtbeachtung der anderen in diesem Handbuch enthaltenen Warnungen und Sicherheitsmaßnahmen entstehen, werden nicht durch die Garantie abgedeckt.
21. Entfernen Sie niemals das Gehäuse dieses Gerätes.
22. Stellen Sie dieses Gerät niemals auf andere elektrische Geräte.
23. Halten Sie Kinder von den Plastiktüten fern.
24. Benutzen Sie nur vom Hersteller spezifizierte Erweiterungen/Zubehörteile.
25. Lassen Sie alle Wartungs-/Reparaturarbeiten von qualifiziertem Servicepersonal ausführen. Reparatur/Wartung wird notwendig, wenn das Gerät in irgendeiner Weise wie beispielsweise am Netzkabel oder am Netzstecker beschädigt wurde oder wenn Flüssigkeit in das Gerät gelangt ist bzw. Gegenstände in das Gerät gefallen sind, das Gerät Regen oder Feuchtigkeit ausgesetzt war, es heruntergefallen ist oder nicht ordnungsgemäß funktioniert.
26. Langes Hören lauter Töne aus einem Musikgerät kann zu zeitweiligem oder permanentem Hörverlust führen.
27. Wenn zum Lieferumfang des Produkts ein Netzkabel oder ein Netzadapter gehört:
  - Wenn irgendwelche Probleme auftreten, trennen Sie das Gerät vom Stromnetz und setzen Sie sich anschließend mit einer qualifizierten Fachkraft in Verbindung.
  - Treten Sie nicht auf den Netzadapter und klemmen Sie ihn auch nicht ein. Seien Sie besonders im näheren Bereich des Netzsteckers und an der Stelle vorsichtig, an der das Netzkabel aus dem Gerät herausgeführt wird. Stellen Sie keine schweren Gegenstände auf den Netzadapter, da er dadurch beschädigt werden kann. Halten Sie das gesamte Gerät außerhalb der Reichweite von Kindern! Durch Spielen mit dem Netzkabel können sie sich ernsthafte Verletzungen zuziehen.
  - Trennen Sie das Gerät während eines Gewitters oder bei längerer Nichtbenutzung vom Stromnetz.
  - Die Netzsteckdose muss sich in der Nähe des Gerätes befinden und einfach zu erreichen sein.
  - Überlasten Sie Steckdosen und Verlängerungsleitungen nicht. Eine Überlastung kann zu Brandgefahr bzw. Stromschlag führen.
  - Geräte der Schutzklasse 1 müssen an eine Netzsteckdose mit Schutzleiter angeschlossen werden.
  - Geräte der Schutzklasse 2 benötigen keinen Schutzleiteranschluss.
  - Greifen Sie beim Abziehen von der Netzsteckdose am Netzstecker. Ziehen Sie ihn nicht durch Zerren am Kabel heraus. Das kann zu einem Kurzschluss führen.
  - Verwenden Sie weder ein beschädigtes Netzkabel noch einen beschädigten Netzstecker oder eine lockere Steckdose. Missachtung kann zu Brand oder Stromschlag führen.
28. Wenn das Produkt mit einer Fernbedienung mit Batterien/Knopfzellen geliefert wird oder das Produkt eine derartige Fernbedienung umfasst:

Warnung:

  - „Die Batterie nicht verschlucken – Verätzungsgefahr“ oder Ähnliches.
  - Die mit diesem Produkt [gelieferte Fernbedienung] enthält eine Knopfzelle. Das Verschlucken der Batterie kann innerhalb von nur 2 Stunden zu schwersten inneren Verbrennungen mit Todesfolge führen.
  - Halten Sie neue und gebrauchte Batterien von Kindern fern.
  - Falls sich das Batteriefach nicht richtig schließen lässt, stellen Sie die Benutzung des Gerätes ein und halten Sie es von Kindern fern.

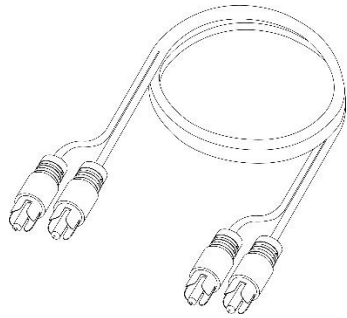
- Wenn Sie vermuten, dass Batterien verschluckt oder in eine Körperöffnung eingeführt worden sind, suchen Sie umgehend eine(n) Ärztin/Arzt auf.
29. Warnhinweise bzgl. der Verwendung von Batterien:
- Es besteht Explosionsgefahr, wenn die Batterie nicht ordnungsgemäß ersetzt wird. Tauschen Sie die Batterie nur gegen eine Batterie des gleichen Typs aus.
  - Die Batterie darf während der Benutzung, Aufbewahrung oder des Transports weder sehr hohen oder sehr niedrigen Temperaturen noch niedrigem Luftdruck in großen Höhenlagen ausgesetzt werden.
  - Die Auswechslung der Batterie mit einem falschen Batterietyp kann zum Explodieren der Batterie oder zum Entweichen von entflammbarem Gas oder Auslaufen von entflammbarer Flüssigkeit aus der Batterie führen.
  - Die Entsorgung der Batterie in Feuer oder einem heißen Ofen oder das mechanische Zerkleinern oder Zerteilen der Batterie kann zu Explosionen führen.
  - Das Verbleiben der Batterie in einer Umgebung mit sehr hohen Temperaturen kann zum Explodieren der Batterie oder zum Entweichen von entflammbarem Gas oder zum Auslaufen von entflammbarer Flüssigkeit aus der Batterie führen.
  - Eine in einem sehr niedrigen Luftdruck ausgesetzte Batterie kann explodieren oder es kann aus einer in einem sehr niedrigen Luftdruck ausgesetzten Batterie entflammbares Gas entweichen oder entflammbare Flüssigkeit auslaufen.
  - Legen Sie besonderes Augenmerk auf den ökologischen Aspekt der Batterieentsorgung.

#### **INSTALLATION**

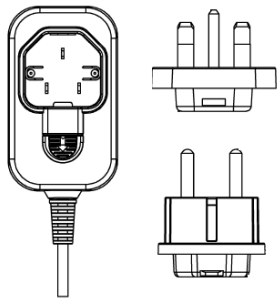
- Packen Sie alle Teile aus und entfernen Sie danach die Schutzmaterialien.
- Schließen Sie das Gerät erst an das Stromnetz an, nachdem Sie die Netzspannung überprüft haben und alle anderen notwendigen Anschlüsse hergestellt sind.

**Lieferumfang:**

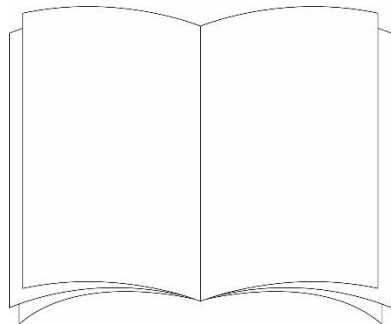
RCA-Kabel



Netzadapter

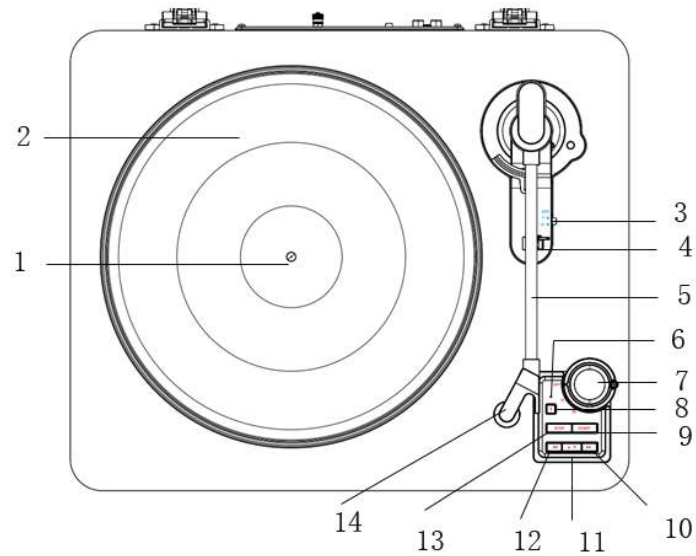


Bedienungsanleitung



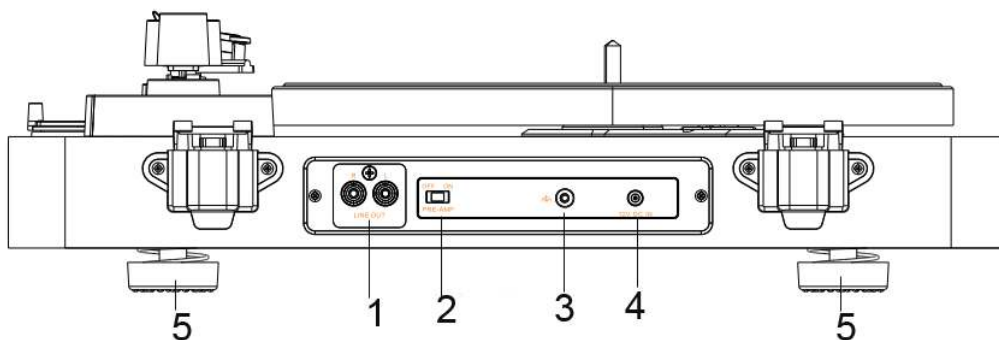
## Produktübersicht

Ansicht von oben:



- |  |                              |
|--|------------------------------|
| 1. Spindel                               | 8. Bluetooth-Taste           |
| 2. Aluminium-Plattenteller               | 9. Start-Taste               |
| 3. Schalter zur Auswahl der Plattengröße | 10. Schneller Vorlauf-Taste  |
| 4. Tonarmhalterung                       | 11. Auf/Ab-Taste             |
| 5. Tonarm                                | 12. Schneller Rücklauf-Taste |
| 6. Bluetooth-Anzeige                     | 13. Stopp-Taste              |
| 7. Ein/Aus-/Drehzahl-Wahlschalter        | 14. Bewegliche Magnetpatrone |
- (AUS-33-45)

RÜCKANSICHT:



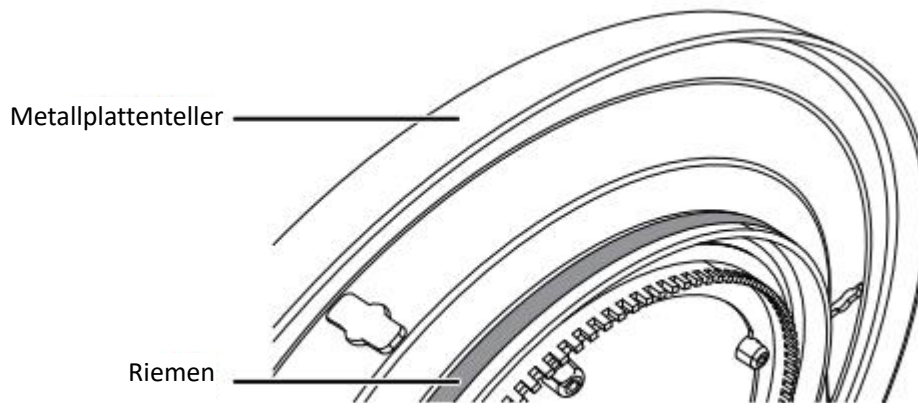
- |  |                      |
|--|----------------------|
| 1. RCA-Buchse                          | 4. DC-Eingangsbuchse |
| 2. AUS/EIN-Schalter des Vorverstärkers | 5. Unter dem Chassis |
| 3. Erdungsklemme                       |                      |

## Aufstellen Ihres Plattentellers

Bitte nehmen Sie das Produkt vorsichtig aus der Verpackung und packen Sie alle Verpackungsmaterialien aus. Überprüfen Sie, ob alle Zubehörteile vollständig sind. Wählen Sie dann einen ebenen und sicheren Platz zum Aufstellen des Plattentellers.

### Installation des Metallplattentellers und der Plattentellermatte

**Hinweis:** Der Riemen ist auf der Unterseite des Metallplattentellers vorinstalliert



1. Vergewissern Sie sich, dass der Riemen nicht verdreht ist, und spannen Sie ihn mit dem Daumen, bis er die runde Aufnahme im Plattenteller erreicht.

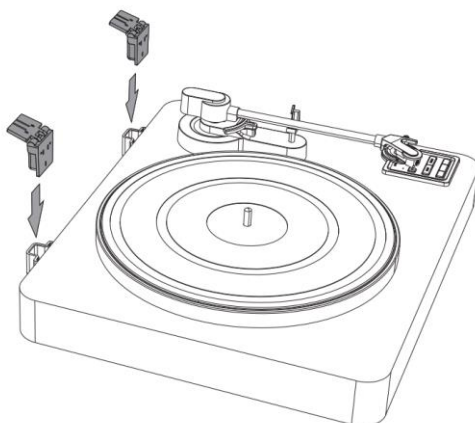
**Hinweis:** Achten Sie darauf, dass Sie den Riemen auf die Metallschiene legen und nicht auf den Abschnitt mit den Zähnen.

2. Halten Sie den Riemen fest, drehen Sie den Plattenteller um und setzen Sie ihn dann auf die Spindel in der Mitte des Plattentellers.
3. Richten Sie das runde Loch im Plattenteller mit der Riemenscheibe aus und haken Sie den Riemen mit dem Finger in die Riemenscheibe ein.
4. Legen Sie die Plattentellermatte auf den Plattenteller.

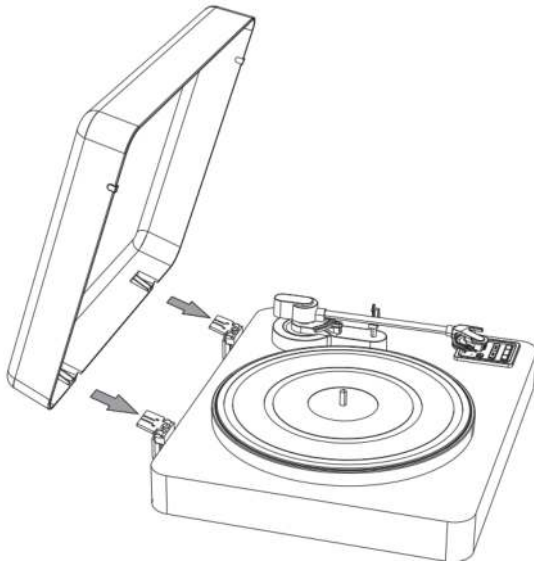
**Hinweis:** Wenn Sie den Plattenteller aus dem Plattenspieler nehmen wollen, entfernen Sie zuerst die Matte, greifen dann den Plattenteller und ziehen ihn nach oben. Dies ist besonders wichtig, wenn Sie Ihren Plattenspieler transportieren, um zu verhindern, dass der Plattenteller wackelt.

### Anbringen der Staubabdeckung

1. Setzen Sie die Scharniere der Staubschutzhaube in die Scharnierfüße an der Rückseite des Geräts ein.



2. Halten Sie den Staubschutzdeckel fest und setzen Sie ihn in die Scharniere ein.



### **Stromversorgung des Plattentellers**

Sie können das Gerät mit dem mitgelieferten AC/DC-Netzteil betreiben. Überprüfen Sie das Typenschild des AC/DC-Adapters mit Ihrer Netzspannung, bevor Sie das Gerät einschalten.

Der AC/DC-Adapter hat einen Eingang von 100-240 V~50/60 Hz und einen Ausgang von 12 V

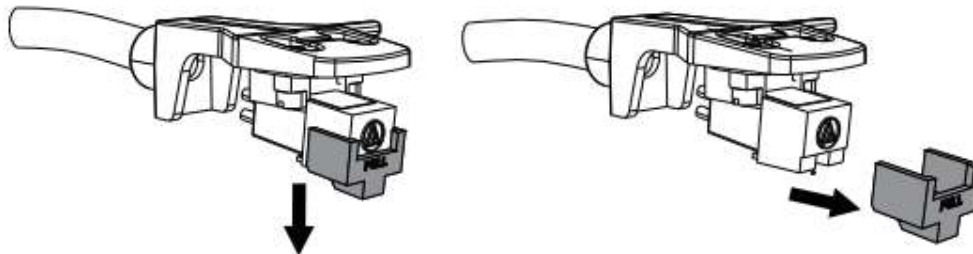
⎓ 0,6 A.

### **Hinweis:**

- Um das Gerät vom Netz zu trennen, ziehen Sie den Netzstecker aus der Steckdose.
- Wenn nach dem Ende der Wiedergabe 15 Minuten lang keine Bedienung erfolgt, schaltet sich das Gerät automatisch ab. Um es wieder zu benutzen, stellen Sie den Power/RPM-Wahlschalter auf AUS und wählen Sie dann wieder 33/45 RPM.

### **Entfernung der Tonabnehmernadelschutzkappe**

Bitte entfernen Sie die Tonabnehmernadelschutzkappe, bevor Sie die Platte abspielen.



## Den Plattenteller verwenden

### Eine Schallplatte abspielen

1. Öffnen Sie vorsichtig die obere Abdeckung.  
Hinweis: Achten Sie darauf, dass Sie sich beim Öffnen oder Schließen der Abdeckung nicht die Finger einklemmen.
2. Legen Sie eine Schallplatte auf den Plattenteller.
3. Wählen Sie die passende Geschwindigkeit, indem Sie den RPM-Wahlschalter auf 33 oder 45 drehen. Gleichzeitig müssen Sie die passende Größe wählen, indem Sie den SIZE-Wahlschalter auf 7' oder 12' schieben.
4. Entfernen Sie den Clip am Tonarmhalter, um den Tonarm zu lösen.
5. Drücken Sie die START-Taste, der Tonarm bewegt sich automatisch zur Schallplatte und beginnt mit der Wiedergabe der Schallplatte.
6. Drücken Sie die **Taste Schneller Vorlauf/Schneller Rücklauf**, um im Titel zu springen. Durch langes Drücken wird der Titel kontinuierlich weiterspringen.
7. Drücken Sie die Taste AUF/AB, um den Tonarm anzuheben oder abzusenken. Die Wiedergabe wird abgespielt oder pausiert.
8. Nach Beendigung der Wiedergabe hört die Schallplatte auf, sich zu drehen, und der Tonarm kehrt automatisch in den Tonarmsitz zurück.

HINWEIS: Wenn Sie den Tonarm nicht benutzen, schließen Sie bitte die Arretierung, um zu verhindern, dass sich der Tonarm lockert und die Nadel oder den Plattenteller beschädigt.

### Musik hören mit Bluetooth-Lautsprechern

1. Stellen Sie den Schalter auf den gewünschten Plattentyp, 33 oder 45. Und wählen Sie die Größe der Schallplatte, 7' oder 12'.
2. Schalten Sie Ihren Bluetooth-Lautsprecher in den Kopplungsmodus.  
HINWEIS: Vergewissern Sie sich, dass Bluetooth bei allen Geräten in der Nähe, die automatisch eine Verbindung zu Ihrem Lautsprecher herstellen, ausgeschaltet ist.
3. Drücken Sie auf dem Plattenspieler die Bluetooth-Taste, um das Pairing zu starten; die Bluetooth-Anzeige blinkt blau.
4. Wenn die Verbindung erfolgreich hergestellt wurde, leuchtet die Bluetooth-Anzeige dauerhaft.
5. Durch langes Drücken der Bluetooth-Taste können Sie die Verbindung mit dem aktuell verbundenen Bluetooth-Lautsprecher trennen.

Hinweis: Wenn die Kopplung fehlschlägt, leuchtet die Bluetooth-Anzeige rot. Sie können die Bluetooth-Taste drücken, um die Kopplung erneut zu starten, oder die Bluetooth-Taste lange drücken, um die Bluetooth-Übertragung zu beenden.

### Abhören über die RCA-Buchsen

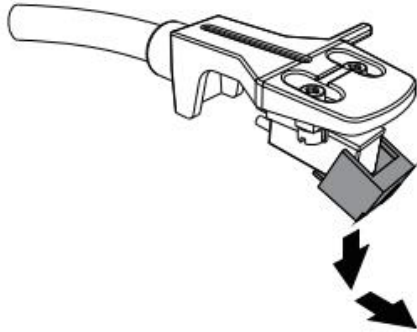
1. Stecken Sie die roten und weißen Stecker des mitgelieferten Cinch-Kabels in die Cinch-Buchse auf der Rückseite Ihres Plattenspielers, rot an rot und weiß an weiß.
2. Schließen Sie das andere Ende des Kabels an Ihre Lautsprecher an, rot an den rechten Lautsprecher und weiß an den linken Lautsprecher.
3. Schalten Sie den PRE-AMP AUS/EIN-Schalter um, um den Ausgangsmodus zu wählen.

Angeschlossenes externes Gerät	Schalterposition
Gerät mit PHONO-Eingang	AUS
Gerät ohne PHONO-Eingang	EIN

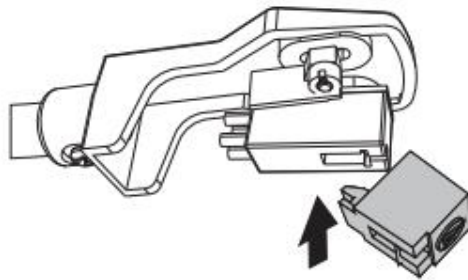
### **Auswechseln der Abtastnadel (Teilenummer: Audio-Technica ATN3600L)**

Die Nadel sollte bei normalem Gebrauch etwa 300 Stunden halten. Wir empfehlen Ihnen jedoch, die Nadel zu ersetzen, sobald Sie eine Veränderung der Klangqualität feststellen. Eine längere Verwendung einer abgenutzten Nadel kann die Schallplatte beschädigen.

- 1 Stellen Sie den RPM-Wahlschalter auf AUS, um das Gerät auszuschalten.
- 2 Entfernen Sie die Abtastnadel, indem Sie sie gleichzeitig nach unten und nach vorne ziehen.



- 3 Setzen Sie die neue Abtastnadel mit der Spitze nach oben in den Schlitz unter dem Kopf ein und drücken Sie sie dann nach oben, bis die Spitze einrastet.



#### **WARNUNGEN:**

- Entfernen oder verbiegen Sie die Abtastnadel nicht.
- Berühren Sie die Nadel nicht, um Verletzungen an Ihrer Hand zu vermeiden.
- Außerhalb der Reichweite von Kindern halten.

#### **Reinigen des Plattentellers**

- Verwenden Sie nur ein sauberes, trockenes Tuch.
- Verwenden Sie niemals Chemikalien, Reinigungsmittel oder Scheuermittel.
- Wenn Sie Ihren Plattenspieler nicht benutzen, schließen Sie die Staubabdeckung, damit kein Staub oder anderer Schmutz auf den Plattenspieler gelangt.

**VORSICHT:** Schütten Sie keine Flüssigkeiten auf den Plattenteller. Dies würde Ihren Plattenteller beschädigen. Wenn etwas auf den Plattenteller verschüttet wurde, wischen Sie es sofort mit einem weichen, sauberen Tuch ab.

## Problembesehung


Prüfen Sie diese Liste auf mögliche Fehlerbesehungen, bevor Sie den Kundendienst anrufen.

	<b>Problem</b>	<b>URSACHE</b>	<b>Lösung</b>
<b>DAS GANZE GERÄT</b>	Das Gerät schaltet sich nicht ein	Das Gerät ist nicht an das Stromnetz angeschlossen.	Schließen Sie das Gerät an die Stromversorgung des AC/DC-Adapters an.
	Kein Ton aus den Lautsprechern.	Die Lautstärke ist auf MIN heruntergedreht; Der Arbeitseingang stimmt nicht mit dem Quelleneingang überein.	Lautstärke einstellen; Eine andere Quelle wählen.
	Der Ton ist verrauscht.	Das Gerät steht zu nahe an einem Fernsehgerät oder einem anderen ähnlichen Gerät.	Schalten Sie den Fernseher oder das andere Gerät aus, und stellen Sie das Gerät an einem anderen Ort auf.
	Das Gerät reagiert nicht oder konnte nicht zurückgesetzt werden.	Externe Faktoren wie ESD (Elektrostatische Entladung) beeinflussen das Gerät.	Ziehen Sie das Netzkabel und alle Stromversorgungsgeräte ab, und schließen Sie das Gerät nach einer Minute wieder an.
<b>PHONO-SPIELER</b>	Der Ton ist beim Abspielen der Schallplatte verrauscht.	Die Abtastnadel ist nicht in der Mitte platziert.	Tauschen Sie die Abtastnadel aus, die in der Mitte platziert ist.
	Der Ton ist laut, wenn das Gerät über einen längeren Zeitraum benutzt wird.	Die Abtastnadel ist beschädigt.	Tauschen Sie eine neue Nadel aus.
	Das Phono-Gerät funktioniert nicht.	Die Schallplatte passt nicht in das Gerät. Sie können eine 78rpm-Schallplatte für die Wiedergabe auswählen.	Wählen Sie eine geeignete Schallplatte für die Wiedergabe aus (33 oder 45 RPM)

Problem		URSACHE	Lösung
<b>BLUETOOTH</b>	Die Kopplung mit einem Bluetooth-Gerät ist nicht möglich.	<p>(1). Das Gerät wechselt nicht in den Bluetooth-Sendemodus.</p> <p>(2) Ihr Bluetooth-Verstärkergerät schaltet sich nicht ein.</p> <p>(3) Ihr Gerät ist zu weit vom Gerät entfernt oder es gibt ein Hindernis (z. B. eine Wand) zwischen Ihrem Gerät und dem Gerät.</p>	<p>(1) Drücken Sie die PARI-Taste, um sicherzustellen, dass das Gerät in den Sendemodus geschaltet ist.</p> <p>(2) Schalten Sie Ihr Bluetooth-Verstärkergerät für Zuhause ein</p> <p>(3) Bringen Sie Ihr Bluetooth-Gerät näher an das Gerät heran.</p>
		<p>Die Bluetooth-Kopplung ist nicht erfolgreich.</p>	<p>(1) Schalten Sie andere Bluetooth-Geräte aus, um sicherzustellen, dass Ihr Bluetooth-Verstärkergerät die Verbindung zu anderen Bluetooth-Geräten getrennt hat.</p> <p>(2) Oder löschen Sie Ihren Bluetooth-Verbindungsnamen in der Liste der gekoppelten Bluetooth-Geräte (die zuvor verbunden waren). Dadurch wird sichergestellt, dass das Gerät Ihren Bluetooth-Verstärker einfach und schnell suchen kann.</p> <p>(3) Überprüfen Sie Ihr Bluetooth-Gerät, ob es BQB-zertifizierten Empfang verwendet oder nicht.</p>

## **Technische Daten**

### Allgemein

STROMQUELLE.....	AC/DC-Netzteil
Hersteller .....	Guangdong Leetac Electronics Technology Co.,Ltd.
Modell .....	GRP12W-120060
Eingangsspannung.....	100-240 V~, 50/60 Hz, 0,4 A
Ausgang .....	12,0 V  0,6 A; 7,2 W
Durchschnittliche Effizienz bei Normallast .....	82,68 %
Effizienz bei Niederlast (10 %) .....	k. A.
Leistungsaufnahme bei Nulllast .....	0,078 W
Abmessungen (B x H x T) .....	440 mm x 137 mm x 383 mm (ca.)
Gewicht.....	4,458 kg (ca.) (ohne Zubehör)

### ***PLATTENSPIELER***

Motor.....	DC-Servomotor
Antriebssystem .....	Riemenantrieb
Geschwindigkeiten .....	33 1/3 U/min, 45 U/min,
Gleichlaufschwankung.....	Weniger als 0,25 % (WTD)
Rauschabstand.....	50 dB
Tonabnehmer-Typ.....	Bewegliche Magnetpatrone
Tonnadel .....	AT3600L
RCA OUT .....	200-280 mV (5 cm/s bei 1 kHz-10 dB)
Phono-Ausgang.....	3-4 mv (5 cm/s bei 1 kHz-10 dB)

### ***BLUETOOTH-ÜBERTRAGUNG***

Bluetooth-Version.....	Bluetooth V5.3
Bluetooth Unterstützung .....	A2DP, AVRCP, HSP
Bluetooth Frequenzbereich .....	2,402 GHz–2,480 GHz
Reichweite .....	7 Meter (30 ft.)

## Garantie

Commaxx B.V. bietet Leistungen und Garantien im Einklang mit Europäischem Recht. Setzen Sie sich deshalb im Falle von Reparaturen (sowohl während als auch nach Ablauf der Garantiezeit) mit Ihrem Fachhändler in Verbindung.

Wichtiger Hinweis: Es ist nicht möglich, Produkte für Reparaturen direkt an Commaxx B.V. zu schicken.

Wichtiger Hinweis: Wenn dieses Gerät aus welchem Grund auch immer durch ein nicht offizielles Servicezentrum geöffnet oder durch dieses Servicezentrum darauf zugegriffen wurde, erlischt die Garantie.

Dieses Gerät ist nicht für professionelle Zwecke geeignet. Falls das Gerät für professionelle Zwecke eingesetzt wird, erlöschen alle Garantieverpflichtungen seitens des Herstellers.

## Haftungsausschluss

Aktualisierungen der Firmware und/oder Hardware-Komponenten werden regelmäßig durchgeführt. Aus diesem Grund können einige der Anweisungen, Spezifikationen und Abbildungen in dieser Dokumentation von dem Ihnen vorliegenden Gerät geringfügig abweichen. Alle in diesem Handbuch beschriebenen Elemente dienen nur zur Illustration und treffen auf Ihre individuelle Situation möglicherweise nicht zu. Aus der in diesem Handbuch getätigten Beschreibung können keine Rechtsansprüche oder Leistungsanforderungen geltend gemacht werden.

## Entsorgung des Altgeräts



Dieses Symbol zeigt an, dass das entsprechende Produkt oder dessen Akku/Batterie in Europa nicht mit dem normalen Hausmüll entsorgt werden darf. Um die ordnungsgemäße Abfallbehandlung des Produkts und dessen Akku/Batterie zu gewährleisten, müssen diese im Einklang mit allen anwendbaren örtlichen Vorschriften zur Entsorgung von Elektrogeräten und Akkus/Batterien entsorgt werden. Dadurch helfen Sie, natürliche Ressourcen zu schonen und Umweltschutzstandards zur Verwertung und Entsorgung von Altgeräten aufrecht zu halten (Richtlinie über Entsorgung Elektrischer und Elektronischer Altgeräte).

## KONFORMITÄTSEKTLÄRUNG

Hiermit erklärt Commaxx, dass der Funkgerätetyp [Lenco LBT-335 / LBT-345] der Richtlinie 2014/53/EU entspricht. Den vollständigen Text der EU-Konformitätserklärung finden Sie unter der folgenden Internetadresse:

[https://commaxx-certificates.com/doc/lbta-165\\_doc.pdf](https://commaxx-certificates.com/doc/lbta-165_doc.pdf)

Typ HF	Frequenzbereich (MHz)	Leistung (dBm)
Bluetooth	2402–2480	<6

## Service

Besuchen Sie bitte für weitere Informationen und unseren Kundendienst unsere Homepage [www.lenco.com](http://www.lenco.com)

Commaxx B.V. Wiebachstraat 37, 6466 NG, Kerkrade, The Netherlands.

**ATTENTION :**

L'utilisation de commandes ou de réglages ou l'exécution de procédures autres que celles spécifiées dans ce manuel peut entraîner une exposition à des rayonnements dangereux.

**PRÉCAUTIONS AVANT UTILISATION**

---

**GARDEZ CES INSTRUCTIONS À L'ESPRIT :**

1. Ne couvrez pas et n'obturez pas les ouvertures de ventilation. Lorsque l'appareil est placé sur une étagère, laissez un espace libre de 5 cm autour de celui-ci.
2. L'installation doit être effectuée conformément au guide d'utilisation fourni.
3. Gardez l'appareil à l'écart des sources de chaleur telles que les radiateurs, les systèmes de chauffage, les cuisinières, les bougies et autres équipements générant de la chaleur ou une flamme nue.  
L'appareil ne doit être utilisé que dans un climat modéré. Les environnements extrêmement froids ou chauds doivent être évités. La température de fonctionnement doit se trouver entre 0 et 35 °C.
4. Évitez d'utiliser l'appareil à proximité de champs magnétiques puissants.
5. Des décharges électrostatiques peuvent perturber le fonctionnement normal de cet appareil. Dans ce cas, réinitialisez et redémarrez l'appareil en suivant le guide d'utilisation. Pendant le transfert de fichiers, manipulez l'appareil avec précaution dans un environnement privé d'électricité statique.
6. Avertissement ! N'introduisez jamais un objet dans l'appareil par les ouvertures et fentes de ventilation. Des tensions élevées sont présentes dans l'appareil, l'insertion d'un objet peut entraîner une électrocution ou court-circuiter certains composants. Pour les mêmes raisons, ne versez pas d'eau ou de liquide sur l'appareil.
7. N'utilisez pas l'appareil dans des endroits humides tels qu'une salle de bain, une cuisine pleine de vapeur ou à proximité d'une piscine.
8. L'appareil ne doit pas être exposé à des écoulements ou des éclaboussures et aucun objet contenant un liquide, tel qu'un vase, ne doit être posé sur ou près de l'appareil.
9. N'utilisez pas cet appareil lorsque de la condensation est possible. Lorsque l'appareil est utilisé dans une pièce chaude et humide, des gouttelettes d'eau ou de la condensation peuvent se former à l'intérieur de l'appareil et affecter son fonctionnement adéquat. Si tel est le cas, laissez l'appareil hors tension pendant 1 ou 2 heures avant de le mettre en marche : l'appareil doit être sec avant toute remise en marche.
10. Cet appareil est fabriqué avec le plus grand soin et vérifié plusieurs fois avant la sortie de l'usine, cependant il est toujours possible, comme pour tout appareil électrique, que des problèmes surviennent. Si vous remarquez de la fumée, une accumulation excessive de chaleur ou tout autre phénomène inattendu, débranchez immédiatement la fiche de la prise électrique secteur.
11. Cet appareil doit fonctionner avec la source d'alimentation indiquée sur la plaque signalétique. Si vous n'êtes pas sûr de votre type d'alimentation électrique, contactez le revendeur ou la compagnie d'électricité locale.
12. Gardez l'appareil à l'écart des animaux. Certains animaux aiment ronger les cordons d'alimentation.
13. Pour nettoyer l'appareil, utilisez un chiffon doux et sec. N'utilisez pas de solvant ni d'autre liquide à base de pétrole.  
Pour enlever les taches tenaces, utilisez un chiffon humide imbibé d'une solution de détergent diluée.
14. Le fournisseur n'est pas responsable des dommages ou pertes de données causés par un dysfonctionnement, une utilisation abusive, une modification de l'appareil ou un remplacement de la batterie.
15. Ne coupez aucune connexion lorsque l'appareil effectue un formatage ou transfert de fichiers. Autrement, les données risquent d'être corrompues ou perdues.
16. Si l'appareil dispose d'une fonction de lecture USB, il faut brancher la clé USB directement sur l'appareil. N'utilisez pas de câble de rallonge USB, car cela peut provoquer des interférences susceptibles de causer la perte de données.
17. La plaque signalétique se situe en dessous ou à l'arrière de l'appareil.

18. Cet appareil n'est pas destiné à être utilisé par des personnes (enfants y compris) souffrant de handicaps physiques, sensoriels ou mentaux, ou manquant d'expérience et de connaissances, sauf si elles sont sous surveillance ou ont reçu des instructions sur l'utilisation correcte de l'appareil par la personne responsable de leur sécurité.
19. Cet appareil est réservé à un usage non professionnel, et non pas à un usage commercial ou industriel.
20. Vérifiez que l'appareil est en position stable. La garantie ne couvre pas les dégâts occasionnés par l'utilisation de cet appareil en position instable, soumis à des vibrations ou chocs, ou par le non-respect de tout autre avertissement ou précaution contenus dans ce guide d'utilisation.
21. N'ouvrez jamais cet appareil.
22. Ne placez jamais cet appareil sur un autre appareil électrique.
23. Ne laissez pas les sacs en plastique à la portée des enfants.
24. N'utilisez que des pièces/accessoires recommandés par le fabricant.
25. Confiez tout entretien à un personnel de service qualifié. Une réparation est nécessaire lorsque l'appareil a été endommagé de quelque façon que ce soit, par exemple lorsque le cordon d'alimentation ou sa fiche est endommagée, lorsqu'un liquide a été renversé ou des objets ont été introduits dans l'appareil, lorsqu'il a été exposé à la pluie ou à l'humidité, ne fonctionne pas correctement ou s'il est tombé.
26. Une exposition prolongée à la musique avec un volume élevé peut entraîner une perte auditive temporaire ou permanente.
27. Si l'appareil est livré avec un câble d'alimentation ou un adaptateur secteur :
  - En cas de problème, débranchez le cordon d'alimentation secteur et confiez l'entretien à un personnel qualifié.
  - Ne marchez pas sur l'adaptateur secteur et ne le pincez pas. Faites très attention, en particulier lorsque vous êtes à proximité des fiches et du point de sortie du câble. Ne placez aucun objet lourd sur l'adaptateur secteur, il pourrait l'endommager. Gardez l'appareil hors de portée des enfants ! Les enfants pourraient se blesser gravement s'ils jouent avec le cordon d'alimentation.
  - Débranchez cet appareil pendant les orages ou lorsqu'il n'est pas utilisé pendant une longue durée.
  - La prise secteur doit être installée près de l'appareil et être facilement accessible.
  - Ne surchargez pas les prises de courant ou les rallonges. Une surcharge peut entraîner un incendie ou une électrocution.
  - Les appareils de classe 1 doivent être branchés sur une prise secteur disposant d'une mise à la terre.
  - Les appareils de classe 2 ne nécessitent pas de mise à la terre.
  - Tirez toujours sur la fiche lorsque vous la retirez de la prise d'alimentation secteur. Ne tirez pas sur le cordon d'alimentation. Cela pourrait provoquer un court-circuit.
  - N'utilisez pas une fiche ou un cordon d'alimentation endommagés ni une prise desserrée. Cela pourrait entraîner une électrocution ou un incendie.
28. Si l'appareil comprend ou est livré avec une télécommande contenant des piles boutons/piles :

Avertissement :

  - « N'avalez pas les piles ! Risque de brûlure chimique » ou équivalent.
  - [La télécommande fournie avec] Cet appareil contient une pile bouton/pile. Si la pile bouton est avalée, elle peut causer des brûlures internes graves en seulement 2 heures et peut conduire à la mort.
  - Conservez les piles neuves et usagées hors de la portée des enfants.
  - Si le compartiment à pile ne se ferme pas correctement, cessez d'utiliser l'appareil et conservez-le hors de portée des enfants.
  - Si vous pensez que les piles ont été avalées ou ingérées d'une manière ou d'une autre, consultez immédiatement un médecin.
29. Avertissements sur l'utilisation des piles :
  - Risque d'explosion si la pile n'est pas remplacée correctement. Ne les remplacez que par des piles du même type ou d'un type équivalent.

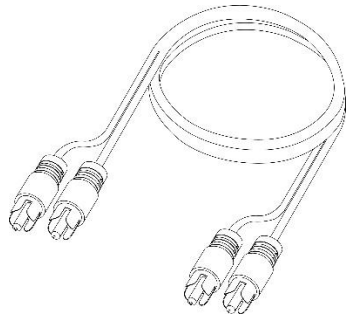
- Les piles ne doivent pas être soumises à des températures extrêmement élevées ou basses, à une faible pression d'air à haute altitude pendant l'utilisation, le stockage ou le transport.
- Tout remplacement de pile par un type incorrect peut entraîner une explosion ou une fuite de liquide ou de gaz inflammable.
- L'élimination d'une pile dans le feu ou dans un four chaud, l'écrasement ou le découpage mécanique peut entraîner une explosion.
- Laisser une pile dans un environnement à température extrêmement élevée peut entraîner une explosion ou une fuite de liquide ou de gaz inflammable.
- Une pile soumise à une pression d'air extrêmement basse peut entraîner une explosion ou une fuite de liquide ou de gaz inflammable.
- Une attention particulière doit être portée sur les aspects environnementaux d'élimination des piles.

#### **INSTALLATION**

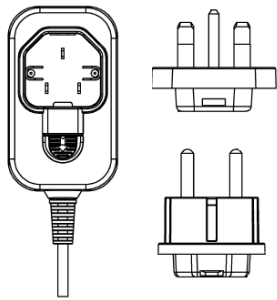
- Déballez tous les composants et enlevez les matériaux de protection.
- Ne branchez pas l'appareil sans avoir vérifié la tension secteur et sans avoir effectué toutes les autres connexions.

**Inclus dans l'emballage :**

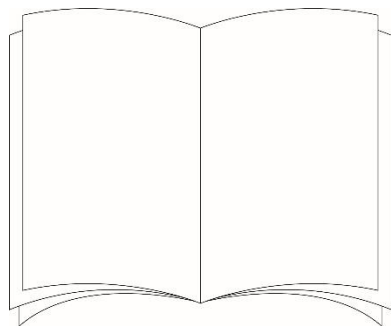
Câble RCA



Adaptateur électrique

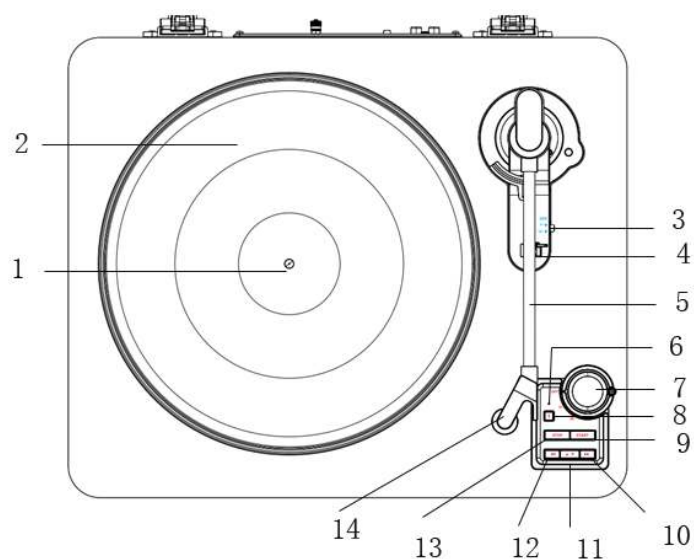


Guide d'utilisation



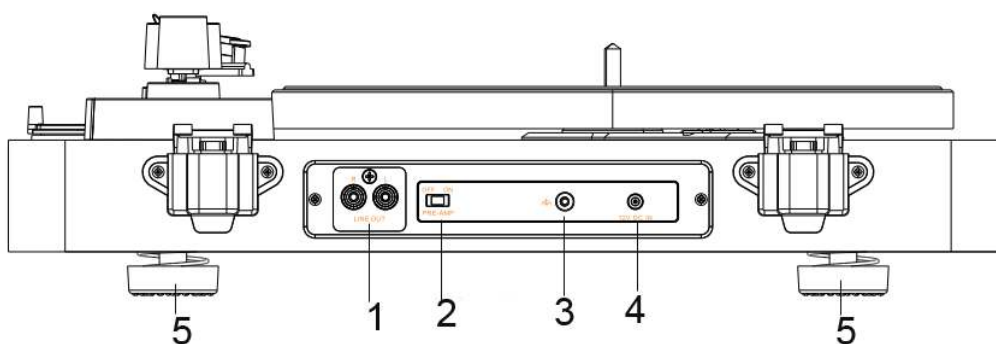
## Présentation du produit

### Vue du dessus :



- |  |                             |
|--|-----------------------------|
| 1. Axe   | 8. Bouton Bluetooth         |
| 2. Plateau aluminium                                     | 9. Bouton de démarrage      |
| 3. Interrupteur de sélection de la taille de disque      | 10. Bouton d'avance rapide  |
| 4. Support du bras de lecture                            | 11. Bouton Haut/Bas         |
| 5. Bras de lecture                                       | 12. Bouton de retour rapide |
| 6. Indicateur Bluetooth                                  | 13. Bouton Arrêt            |
| 7. Interrupteur d'alimentation/RPM (DÉSACTIVÉ - 33 - 45) | 14. Pointe d'aimant mobile  |

### Vue arrière :



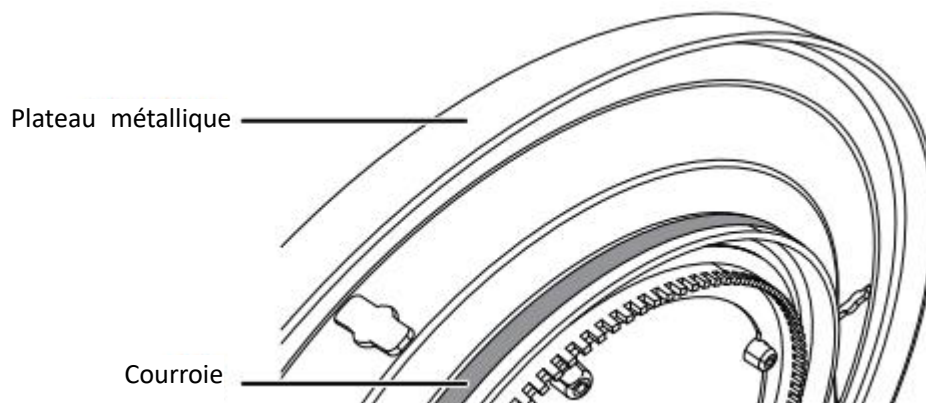
- |  |                 |
|--|-----------------|
| 1. Prise RCA   | 4. Prise DC IN  |
| 2. Interrupteur ACTIVÉ/DÉSACTIVÉ du préamplificateur | 5. Sous-châssis |
| 3. Borne de mise à la terre                          |                 |

## Configuration de votre tourne-disque

Sortez soigneusement le produit de son emballage et retirez tous les matériaux d'emballage. Vérifiez que tous les accessoires sont présents. Ensuite, choisissez un endroit plat et sans danger pour monter le tourne-disque.

### Installation du plateau métallique et du tapis de tourne-disque

**Remarque :** La courroie est préinstallée au bas du plateau métallique



1. Vérifiez que la courroie n'est pas torsadée, puis utilisez votre pouce pour étirer la courroie jusqu'à ce qu'elle atteigne le support rond du plateau.

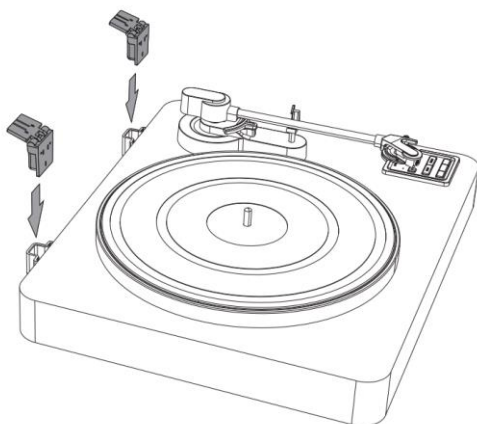
**Remarque :** Placez la courroie sur le rail métallique et non sur la section dentée.

2. En maintenant la courroie, retournez le plateau, puis insérez-le sur l'axe au centre du tourne-disque.
3. Alignez le trou rond du plateau avec la poulie et utilisez votre doigt pour accrocher la courroie à la poulie.
4. Placez le tourne-disque sur le plateau.

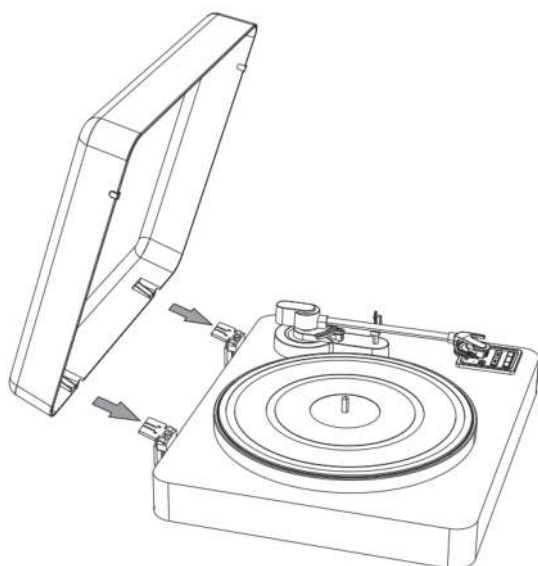
**Remarque :** Pour retirer le plateau du tourne-disque, retirez d'abord le tapis, puis saisissez le plateau et tirez-le vers le haut. C'est très important si vous expédiez votre tourne-disque, pour éviter que le plateau ne bouge.

### Installation du couvercle anti-poussière

1. Insérez les charnières du couvercle anti-poussière dans les bases situées sur le panneau arrière de l'appareil.



2. Tenez le couvercle anti-poussière et insérez-le dans les charnières.



### **Alimentation du tourne-disque**

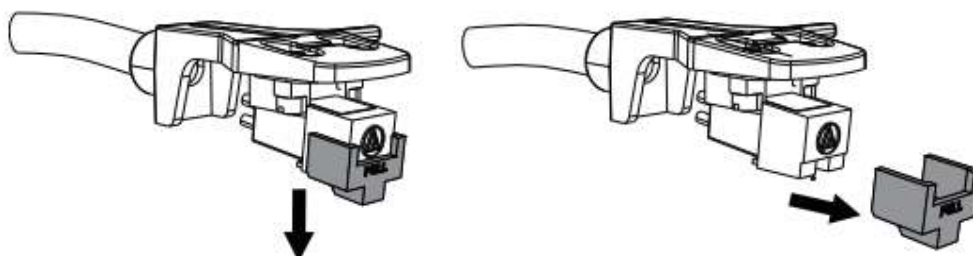
Vous pouvez utiliser l'adaptateur CA/CC fourni pour faire fonctionner l'appareil. Avant de mettre l'appareil sous tension, vérifiez que la plaque signalétique de l'adaptateur CA/CC correspond bien à la tension de votre réseau électrique. L'adaptateur CA/CC possède une entrée de 100-240 V~50/60 Hz et une sortie de 12 V  $\overline{\text{---}}$  0,6 A.

### **Remarque :**

- Pour débrancher l'appareil, retirez la fiche secteur de la prise murale.
- Si aucune activité n'est détectée pendant une durée de 15 minutes après la fin de la lecture, l'appareil s'éteint automatiquement. Pour l'utiliser à nouveau, placez l'interrupteur d'alimentation/RPM en position OFF, puis sélectionnez à nouveau 33/45 tours.

### **Retrait de la protection de la pointe de lecture**

Avant la lecture d'un disque, retirez la protection de la pointe de lecture.



## Utilisation de votre tourne-disque

### Lecture d'un disque

1. Ouvrez doucement le couvercle supérieur.  
Remarque : Prenez garde à ne pas vous pincer le doigt lorsque vous ouvrez ou fermez le couvercle.
2. Placez un disque vinyle sur la platine.
3. Sélectionnez la vitesse appropriée en tournant l'interrupteur de sélection RPM sur 33 ou 45 tours. Parallèlement, vous devez sélectionner la taille appropriée en faisant glisser l'interrupteur de sélection de la taille sur 7' ou 12'.
4. Retirez le clip du support du bras de lecture pour libérer le bras de lecture.
5. Appuyez sur la bouton de démarrage : le bras de lecture se déplace automatiquement vers le disque et commence la lecture.
6. Appuyez sur le bouton **d'avance rapide/de retour rapide** pour passer d'une piste à l'autre. Une pression longue permet de passer d'une piste à une autre en continu.
7. Appuyez sur le bouton HAUT/BAS : le bras de lecture s'élève ou s'abaisse. La lecture se poursuit ou s'interrompt.
8. Une fois la lecture du disque terminée, le disque s'arrête de tourner et le bras de lecture retourne automatiquement sur son emplacement.

REMARQUE : Lorsque vous n'utilisez pas l'appareil, fixez le bras pour éviter qu'il ne se desserre et n'endommage la pointe de lecture ou le tourne-disque.

### Écoute de musique avec des enceintes Bluetooth

1. Positionnez l'interrupteur sur le type de disque (33 ou 45 tours). Ensuite, sélectionnez la taille du disque (7' ou 12')
2. Mettez votre enceinte Bluetooth en mode d'appairage.

REMARQUE : Vérifiez que le Bluetooth est désactivé sur tous les appareils à proximité susceptibles de se connecter automatiquement à votre enceinte.

3. Sur le tourne-disque, appuyez sur le bouton Bluetooth pour accéder à l'appairage. L'indicateur Bluetooth clignote en bleu.
4. Une fois la connexion établie, l'indicateur Bluetooth reste allumé en continu.
5. Appuyez de manière prolongée sur le bouton Bluetooth si vous souhaitez déconnecter l'enceinte Bluetooth actuellement connectée.

Remarque : Si l'appairage échoue, le voyant Bluetooth devient rouge. Dans ce cas, vous pouvez appuyer sur le bouton Bluetooth pour relancer l'appairage (ou appuyer de manière prolongée sur le bouton Bluetooth pour abandonner la transmission Bluetooth).

### Écoute via les prises RCA

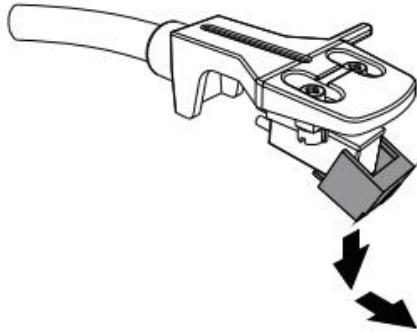
1. Branchez les connecteurs rouge et blanc du câble RCA fourni sur la prise RCA (située à l'arrière de votre tourne-disque), rouge sur rouge et blanc sur blanc.
2. Branchez l'autre extrémité du câble sur vos enceintes (le rouge sur l'enceinte droite et le blanc sur l'enceinte gauche).
3. Appuyez sur l'interrupteur ACTIVÉ/DÉSACTIVÉ du préamplificateur pour sélectionner le mode de sortie.

Appareil externe connecté	Position de l'interrupteur
Appareil équipé d'une entrée PHONO	DÉSACTIVÉ
Appareil non équipé d'une entrée PHONO	ACTIVÉ

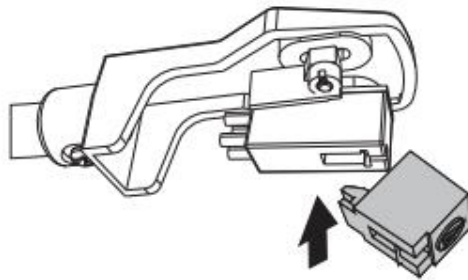
### **Remplacement du stylet (Référence : Audio-Technica ATN3600L)**

Le stylet a une durée de vie d'environ 300 heures, dans des conditions normales d'utilisation. Nous vous recommandons cependant de remplacer la pointe de lecture dès que vous constatez une altération de la qualité du son. Une utilisation prolongée d'un stylet usagé est susceptible d'endommager les disques.

- 1 Placez l'interrupteur RPM en position DÉACTIVÉ pour couper l'alimentation.
- 2 Retirez le stylet en le tirant simultanément vers le bas et vers l'avant.



- 3 Insérez le nouveau stylet vers le haut dans l'emplacement situé sous la tête, puis poussez-le vers le haut jusqu'à ce que la pointe s'enclenche.



#### **MISES EN GARDE :**

- Ne retirez pas et ne pliez pas le stylet.
- Ne touchez pas l'aiguille, vous risqueriez de vous blesser la main.
- Maintenez hors de portée des enfants.

#### **Nettoyage de votre tourne-disque**

- Utilisez uniquement un chiffon propre et sec.
- N'utilisez jamais de produits chimiques, de détergents ou d'abrasifs.
- Lorsque vous n'utilisez pas votre tourne-disque, fermez le couvercle anti-poussière pour éviter que de la poussière ou d'autres impuretés ne pénètrent à l'intérieur du tourne-disque.

**ATTENTION :** Ne renversez aucun liquide sur le tourne-disque. Cela l'endommagerait. Si quelque chose se renverse sur le tourne-disque, essuyez-le immédiatement à l'aide d'un chiffon doux et propre.

## Dépannage

Avant d'appeler le service après-vente, consultez cette liste pour rechercher d'éventuelles solutions de dépannage.

	<b>Problème</b>	<b>Cause</b>	<b>Solution</b>
<b>UNITÉ ENTÈRE</b>	Absence d'alimentation électrique	L'appareil est débranché.	Connectez l'appareil à l'adaptateur CA/CC.
	Absence de son en provenance des enceintes.	Le volume est réduit au niveau MIN. L'entrée fonctionnelle ne correspond pas à l'entrée source.	Réglez le volume ; Sélectionnez à nouveau une source.
	Le son est brouillé.	L'appareil est trop proche d'un téléviseur ou d'un autre équipement similaire.	Éteignez le téléviseur ou l'autre équipement, et repositionnez l'appareil.
	L'appareil ne répond pas ou ne peut pas être réinitialisé.	Des facteurs externes (ESD, décharges électrostatiques, par exemple) affectent l'appareil.	Débranchez le cordon d'alimentation et tous les dispositifs d'alimentation, puis rebranchez l'appareil au bout d'une minute.
<b>LECTEUR PHONO</b>	Le son est brouillé lors de la lecture du disque.	Le stylet n'est pas placé au centre.	Remettez en place le stylet au centre de l'appareil.
	Le son est brouillé lorsque l'appareil est utilisé pendant un certain temps.	Le stylet est endommagé.	Remplacez le stylet.
	Le Phono ne fonctionne pas.	Le disque n'est pas adapté à cet appareil. Vous pouvez choisir le 78 tours pour la lecture.	Sélectionnez un type de disque approprié pour la lecture (33 ou 45 tours)

Problème		Cause	Solution
<b>BLUETOOTH</b>	Impossible d'appairer avec un appareil Bluetooth.	(1). L'appareil ne passe pas en mode de transmission Bluetooth. (2) Votre amplificateur Bluetooth ne s'allume pas. (3) Votre appareil est trop éloigné de l'unité ou il y a un obstacle ( <u>par exemple un mur</u> ) entre votre appareil et l'unité.	(1) Appuyez sur la touche PARI pour vérifier que l'appareil est en mode de transmission. (2) Allumez votre amplificateur Bluetooth (3) Rapprochez votre dispositif Bluetooth de l'appareil.
		L'appairage Bluetooth n'a pas fonctionné.	(1) Éteignez l'autre dispositif Bluetooth pour vérifier que votre amplificateur Bluetooth s'est déconnecté de ce dernier. (2) Vous pouvez aussi supprimer le nom de votre connexion Bluetooth dans la liste des autres appareils Bluetooth appariés (déjà connectés). Cela permet à l'appareil de rechercher facilement et rapidement votre amplificateur Bluetooth. (3) Vérifiez que votre appareil Bluetooth utilise la réception homologuée BQB.

## **Spécifications**

### Généralités

Source d'alimentation.....	Adaptateur CA/CC
Fabricant .....	Guangdong Leetac Electronics Technology Co.,Ltd.
Modèle .....	GRP12W - 120060
Entrée .....	100 - 240 V, 50/60 Hz, 0,4 A
Sortie .....	12,0 V $\equiv$ 0,6 A ; 7,2 W
Efficacité active moyenne.....	82,68 %
Efficacité à faible charge (10 %).....	Non applicable N/A
Pas de consommation d'énergie à vide .....	0,078 W
Dimensions (L x H x P) .....	440 mm x 137 mm x 383 mm (environ)
Poids .....	4 458 kg (environ)(hors accessoires)

### ***LECTEUR DE DISQUES***

Moteur.....	Servomoteur CC
Système moteur .....	Entraînement par courroie
Vitesses.....	33-1/3 tr/min, 45 tr/min,
Pleurage et scintillement.....	Moins de 0,25 % (WTD)
Rapport signal/bruit (S/N) .....	50 dB
Type de cartouche .....	Pointe d'aimant mobile
Stylet.....	AT3600L
SORTIE RCA.....	200-280 mV (5 cm/sec à 1 KHz-10 dB)
Sortie Phono.....	3-4 mv ((5 cm/sec à 1 KHz-10 dB)

### ***TRANSMISSION BLUETOOTH***

Version Bluetooth.....	Bluetooth V5.3
Prise en charge Bluetooth .....	Profils A2DP, AVRCP
Bande de fréquences Bluetooth.....	2 402 Ghz - 2 480 GHz
Distance de fonctionnement .....	7 mètres (30 ft.)

## Garantie

Commaxx B.V. offre un service et une garantie conformément à la législation européenne, ce qui signifie qu'en cas de besoin de réparation (aussi bien pendant et après la période de garantie), vous pouvez contacter le revendeur le plus proche.

Remarque importante : Il n'est pas possible d'envoyer directement à Commaxx B.V. les produits qui ont besoin d'être réparés.

Remarque importante : Si l'appareil est ouvert ou modifié de quelque manière que ce soit par un réparateur non agréé, la garantie est annulée.

Cet appareil ne convient pas à une utilisation professionnelle. En cas d'utilisation professionnelle, les obligations de garantie du fabricant sont annulées.

### Clause de non-responsabilité

Des mises à jour du micrologiciel ou des composants matériels sont régulièrement effectuées. Ainsi, certaines instructions, spécifications et images de la présente documentation peuvent être légèrement différentes. Tous les éléments décrits dans ce manuel sont donnés uniquement à des fins d'illustration et peuvent ne pas s'appliquer à une situation particulière. Aucun droit juridique ou légal ne peut être obtenu à partir de la description faite dans ce manuel.

### Mise au rebut de l'appareil usagé



Ce symbole indique que le produit électrique concerné ainsi que les piles ne doivent pas être jetés avec les autres déchets ménagers en Europe. Pour assurer le traitement correct des déchets de l'appareil et des piles, il faut les éliminer conformément aux lois locales applicables sur l'élimination des équipements électriques et des piles. En faisant cela, vous contribuez à la conservation des ressources naturelles et à l'amélioration des normes de protection de l'environnement dans le traitement et l'élimination des déchets électriques (Directive sur les déchets d'équipements électriques et électroniques).

### DÉCLARATION DE CONFORMITÉ

Par la présente, Commaxx déclare que le type d'équipement radio auquel appartient [Lenco LBT-335 / LBT-345] est conforme à la directive 2014/53/UE. Le texte intégral de la déclaration de conformité UE est disponible à l'adresse Internet suivante :

[https://commaxx-certificates.com/doc/lbta-165\\_doc.pdf](https://commaxx-certificates.com/doc/lbta-165_doc.pdf)

Type RF	Plage de fréquences (MHz)	Puissance (dBm)
Bluetooth	2 402 à 2 480	< 6

### Service

Pour plus d'informations et en cas de besoin d'assistance, rendez-vous sur [www.lenco.com](http://www.lenco.com)

Commaxx B.V. Wiebachstraat 37, 6466 NG, Kerkrade, The Netherlands.

**PRECAUCIÓN:**

Un uso de los controles, unos ajustes o un rendimiento de los procedimientos distintos a los especificados aquí puede resultar en una exposición peligrosa a la radiación.

**PRECAUCIONES PREVIAS AL USO**

---

**TENGA ESTAS INSTRUCCIONES EN CUENTA:**

1. No cubra ni obstruya las aberturas de ventilación. Si coloca el dispositivo sobre una estantería, deje una separación de 5 cm (2") alrededor de todo el dispositivo.
2. Instálelo en conformidad con el manual del usuario incluido.
3. Mantenga el dispositivo apartado de fuentes de calor como radiadores, calentadores, estufas, velas y otros productos que generen calor o llamas abiertas.  
El dispositivo solo puede utilizarse en climas moderados. Deben evitarse los entornos muy fríos o cálidos. La temperatura de funcionamiento es de entre 0 °C y 35 °C.
4. Evite utilizar el dispositivo cerca de campos magnéticos intensos.
5. Las descargas electrostáticas pueden perturbar el uso normal de este dispositivo. En tal caso, solo tiene que seguir el manual de instrucciones para restablecer y reiniciar el dispositivo. Durante la transmisión de archivos, por favor manéjelo con cuidado y opérelolo en un entorno libre de electricidad estática.
6. ¡Advertencia! Nunca introduzca objetos en las aberturas o conductos de ventilación del producto. Alto voltaje fluye a través del producto e insertar un objeto puede provocar una descarga eléctrica o un cortocircuito en sus componentes internos. Por el mismo motivo, no derrame agua ni líquidos sobre el producto.
7. No lo utilice en áreas mojadas o húmedas, como cuartos de baño, cocinas con mucho vapor o cerca de piscinas.
8. No se debe exponer el dispositivo a goteos ni salpicaduras y debe asegurarse de que no haya objetos llenos de líquidos, como jarrones, encima ni cerca del aparato.
9. No utilice este dispositivo si puede haber condensación. Cuando se utilice la unidad en una sala cálida y húmeda, pueden aparecer gotas de agua o condensación dentro de la unidad y esta puede no funcionar correctamente; deje la unidad apagada durante 1 o 2 horas antes de encender la alimentación: la unidad debe estar seca antes de encenderla.
10. Aunque este dispositivo está fabricado con el máximo cuidado y se ha comprobado varias veces antes de salir de fábrica, todavía es posible que se puedan producir problemas, igual que con todos los aparatos eléctricos. Si detecta humo, una acumulación excesiva de calor o cualquier otro fenómeno inesperado, deberá desconectar inmediatamente el enchufe de la toma de corriente.
11. Este dispositivo debe estar conectado a una fuente de alimentación conforme a lo indicado en la etiqueta de especificaciones. Si no está seguro del tipo de fuente de alimentación de su hogar, consulte con su distribuidor o su empresa eléctrica local.
12. Manténgalo alejado de los animales. Algunos animales muerden los cables eléctricos.
13. Utilice un trapo suave y seco para limpiar el dispositivo. No utilice disolventes ni líquidos con base de gasolina.  
Puede usar un paño húmedo con detergente diluido para eliminar las manchas persistentes.
14. El proveedor no asume ninguna responsabilidad por daños o datos perdidos como consecuencia de un funcionamiento incorrecto, uso incorrecto, modificación del dispositivo o sustitución de la batería.
15. No interrumpa la conexión mientras se formatea el dispositivo o esté transfiriendo archivos. De lo contrario, los datos podrían quedar dañados o perderse.
16. Si la unidad tiene una función de reproducción USB, se debe conectar directamente el dispositivo de memoria USB a la unidad. No utilice cables de extensión USB ya que pueden crear interferencias que causen una pérdida de datos.
17. La etiqueta de clasificación está marcada en el panel inferior o trasero del dispositivo.

18. Este aparato no está diseñado para su uso por personas (incluyendo niños) con discapacidades físicas, sensoriales o mentales o con falta de experiencia o conocimientos, salvo que estén bajo supervisión o hayan recibido formación sobre el uso correcto del dispositivo por parte de una persona responsable de su seguridad.
19. Este producto está destinado únicamente al uso no profesional y no al uso comercial ni industrial.
20. Compruebe que la unidad está ajustada en una posición estable. Los daños causados por las vibraciones o sacudidas derivadas del uso del producto en una posición inestable o el incumplimiento de otras advertencias o precauciones incluidas en este manual del usuario no estarán cubiertos por la garantía.
21. Nunca retire la carcasa del dispositivo.
22. Nunca coloque el dispositivo sobre otros equipos eléctricos.
23. No permita que los niños accedan a las bolsas de plástico.
24. Utilice solo los accesorios especificados por el fabricante.
25. Solicite todo el trabajo de mantenimiento a personal de servicio cualificado. El dispositivo deberá ser reparado cuando quede dañado de cualquier forma, por ejemplo, si el cable de alimentación o el enchufe están dañados, se ha derramado líquido o han caído objetos sobre él, ha quedado expuesto a la lluvia o a la humedad, no funciona con normalidad, o se ha caído al suelo.
26. La exposición prolongada a sonidos fuertes de reproductores personales de música puede provocar una pérdida temporal o permanente de audición.
27. Si el producto incluye un cable de alimentación o un adaptador de CA:
  - Si hubiera algún problema, desconecte el cable de CA y solicite su mantenimiento al personal cualificado.
  - No pise ni pellizque el adaptador de corriente. Tenga mucho cuidado, en especial cerca de los enchufes y el punto de salida del cable. No coloque objetos pesados sobre el adaptador de corriente, ya que podría dañarlo. ¡Mantenga todo el dispositivo fuera del alcance de los niños! Si juegan con el cable de alimentación, pueden sufrir lesiones graves.
  - Desenchufe el dispositivo durante tormentas eléctricas o si no se utiliza durante largos periodos.
  - La toma debe estar instalada cerca del equipo y ser fácilmente accesible.
  - No sobrecargue las tomas de CA ni los cables de extensión. Una sobrecarga podría provocar un incendio o una descarga eléctrica.
  - Los dispositivos con una construcción de clase 1 deben estar conectados a una toma eléctrica con conexión a tierra protectora.
  - Los dispositivos con una construcción de clase 2 no requieren una conexión a tierra.
  - Sujete siempre el enchufe cuando lo extraiga de la toma de corriente. No estire del cable eléctrico. Podría provocar un cortocircuito.
  - No utilice cables de alimentación o enchufes deteriorados o tomas sueltas. Podría provocar un incendio o descarga eléctrica.
28. Si el producto contiene o se entrega con un mando a distancia que contiene pilas de botón:

Advertencia:

  - «No ingiera la pila, existe riesgo de quemaduras químicas» o equivalente.
  - [Mando a distancia incluido] Este producto contiene una pila de botón. En caso de ingesta de la pila, puede provocar quemaduras internas graves en menos de 2 horas que pueden provocar la muerte.
  - Mantenga las pilas nuevas y usadas fuera del alcance de los niños.
  - Si el compartimento de las pilas no cierra bien, deje de usar el producto y manténgalo fuera del alcance de los niños.
  - Si cree que puede haber ingerido una pila o que se ha introducido en alguna parte del cuerpo, solicite inmediatamente atención médica.
29. Precauciones sobre el uso de las pilas:
  - Existe peligro de explosión si se sustituye la pila por una de tipo incorrecto. Sustitúyalas únicamente por pilas del mismo tipo o equivalentes.
  - No se puede someter las pilas a temperaturas muy altas o bajas, ni a presiones de aire bajas a altitudes altas durante el uso, almacenamiento o transporte.

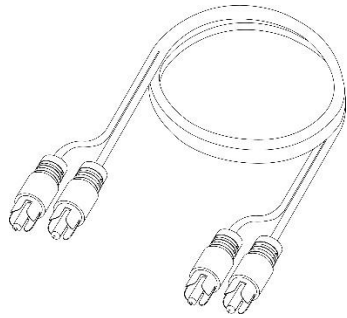
- La sustitución de una pila por una de tipo incorrecto puede resultar en una explosión o fuga del líquido o gas inflamable.
- Arrojar una pila al fuego o a un horno caliente, aplastarla o cortarla con medios mecánicos puede resultar en una explosión.
- Dejar una pila en un entorno con temperaturas muy altas puede resultar en una explosión o fuga del líquido o gas inflamable.
- Someter una pila a presiones de aire muy bajas puede resultar en una explosión o la fuga del líquido o gas inflamable.
- Se debe prestar atención a los aspectos medioambientales sobre la eliminación de baterías.

#### **INSTALACIÓN**

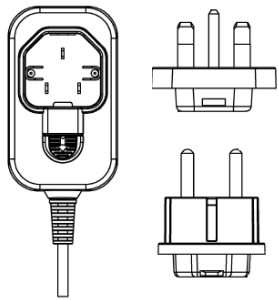
- Desempaquete todas las piezas y retire el material protector.
- No conecte la unidad a la corriente sin comprobar la tensión eléctrica y que se han hecho todas las demás conexiones.

**El paquete incluye:**

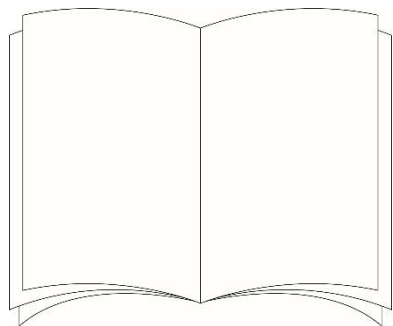
Cable RCA



Adaptador de corriente

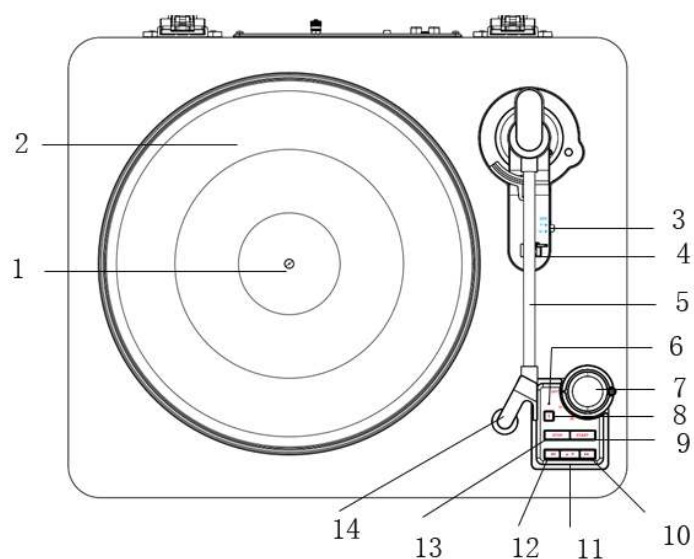


Manual del usuario



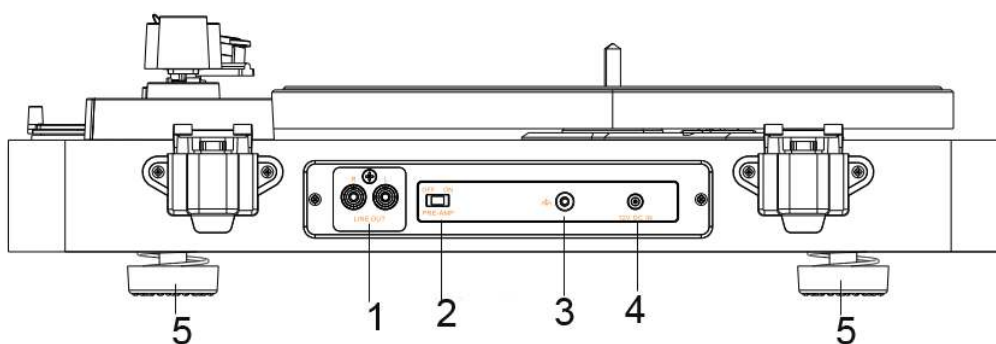
## Descripción general del producto

### Vista superior:



- |   |                               |
|---|-------------------------------|
| 1. Husillo  | 8. Botón de Bluetooth         |
| 2. Bandeja de aluminio                                      | 9. Botón de iniciar           |
| 3. Interruptor de selección del tamaño del disco            | 10. Botón de avance rápido    |
| 4. Soporte del brazo de lectura                             | 11. Botón de arriba/abajo     |
| 5. Brazo de lectura   | 12. Botón de retroceso rápido |
| 6. Indicador de Bluetooth                                   | 13. Botón de detener          |
| 7. Interruptor selector de alimentación/RPM (APAGADO-33-45) | 14. Cartucho de imán móvil    |

### Vista posterior:



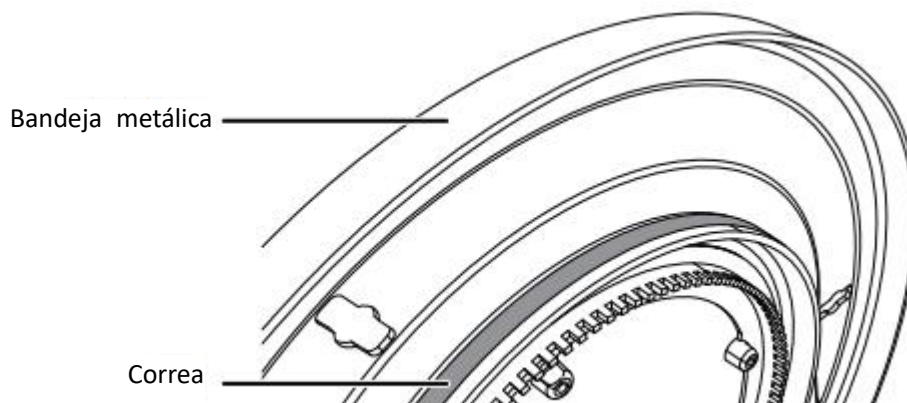
- |   |                                  |
|---|----------------------------------|
| 1. Toma de RCA  | 4. Toma DC IN                    |
| 2. Interruptor de encendido/apagado del preamplificador | 5. Elementos de apoyo inferiores |
| 3. Terminal de tierra                                   |                                  |

## Configuración del tocadiscos

Extraiga con cuidado el producto de la caja de embalaje y desembale todos los materiales de embalaje. Compruebe la integridad de todos los accesorios. A continuación, elija una superficie plana y segura para montar el tocadiscos.

### Instalación de la bandeja metálica y de la alfombrilla del tocadiscos

**Nota:** La correa está preinstalada en la parte inferior de la bandeja metálica



1. Asegúrese de que la correa no esté retorcida y, a continuación, estire la correa con el dedo pulgar hasta que alcance la sujeción redonda en la bandeja.

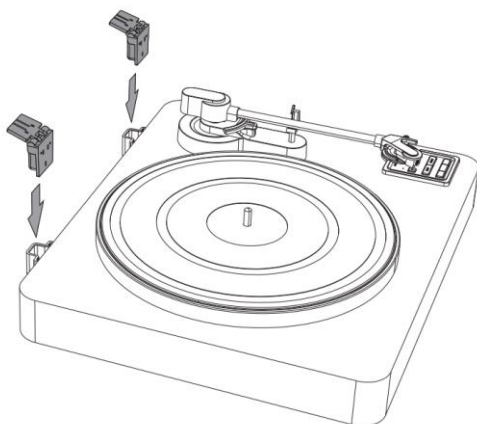
**Nota:** Asegúrese de colocar la correa en la pista metálica en lugar de en la sección dentada.

2. Sin soltar la correa, dé la vuelta a la bandeja e insértela en el husillo situado en el centro del tocadiscos.
3. Alinee el orificio redondo de la bandeja con la polea y utilice el dedo para enganchar la correa en la polea.
4. Coloque la alfombrilla del tocadiscos en la bandeja.

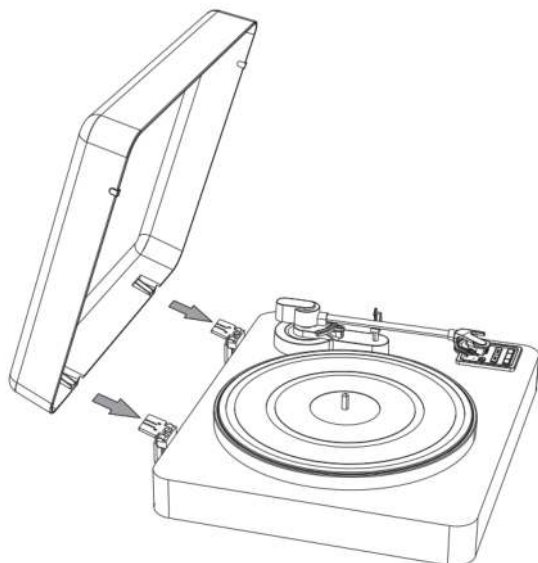
**Nota:** Cuando desee sacar la bandeja del tocadiscos, retire primero la alfombrilla y, a continuación, agarre la bandeja y tire de ella hacia arriba. Esto es especialmente importante para evitar que la bandeja se mueva si va a transportar el tocadiscos.

### Instalación de la cubierta antipolvo

1. Inserte las bisagras de la cubierta antipolvo en las bases de las bisagras del panel posterior de la unidad.



2. Sujete la cubierta antipolvo e introdúzcala en las bisagras.



### **Alimentación del tocadiscos**

Puede suministrar alimentación al dispositivo con el adaptador CA/CC proporcionado.

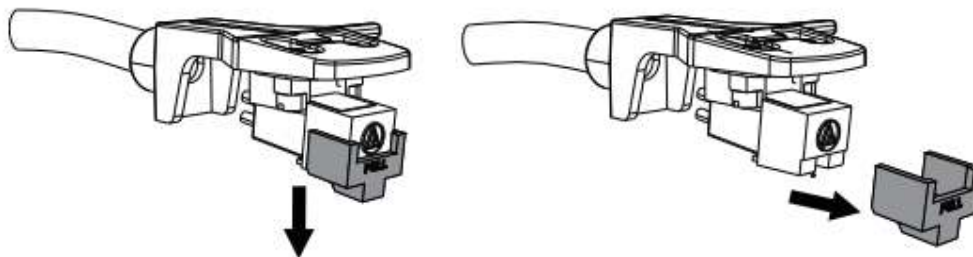
Compruebe la placa de características del adaptador CA/CC con la tensión de su red eléctrica antes de encender el dispositivo. El adaptador CA/CC tiene una entrada de 100-240 V, 50/60 Hz y una salida de 12 V  $\overline{\text{---}}$  0,6 A.

### **Nota:**

- Para desconectar el dispositivo de la red eléctrica, extraiga el enchufe de la toma de corriente.
- Si no se hay ninguna operación durante 15 minutos después del final de la reproducción, el aparato se apagará automáticamente. Para volver a utilizarlo, coloque el selector de Alimentación/RPM en la posición de APAGADO y vuelva a seleccionar 33/45 RPM.

### **Retirada del protector de la aguja**

Retire el protector de la aguja antes de reproducir un disco.



## Uso de su tocadiscos

### Reproducción de un disco

1. Abra suavemente la cubierta superior.  
Nota: Tenga cuidado de no pellizcarse el dedo al abrir o cerrar la cubierta superior.
2. Coloque un disco de vinilo en el tocadiscos.
3. Seleccione la velocidad adecuada girando el selector de RPM a 33 o 45. Asimismo, debe seleccionar el tamaño adecuado deslizando el selector de TAMAÑO a 7' o 12'.
4. Retire el seguro en el soporte del brazo de lectura para liberar el brazo de lectura.
5. Pulse el botón de INICIAR y el brazo de lectura se moverá automáticamente hacia el disco y comenzará a reproducir el disco.
6. Pulse el **botón de Avance rápido/Retroceso rápido** para saltar la pista. Mantenga pulsado el botón para saltar continuamente la pista.
7. Pulse el botón de ARRIBA/ABAJO; el brazo de lectura subirá o bajará según corresponda. La reproducción se reproducirá o se pausará.
8. Una vez finalizada la reproducción del disco, el disco deja de girar y el brazo de lectura vuelve automáticamente al asiento del brazo de lectura.

NOTA: Si no utiliza el brazo, fije el bloqueo del brazo para evitar que se suelte y dañe la aguja o el tocadiscos.

### Escucha de música con altavoces Bluetooth

1. Gire el interruptor hasta el tipo de disco, 33 o 45. Y seleccione el tamaño del disco: 7' o 12'
2. Ponga el altavoz Bluetooth en modo de emparejamiento.  
NOTA: Asegúrese de que la función Bluetooth está desactivada en todos los dispositivos cercanos que se conectarán automáticamente al altavoz.
3. En el tocadiscos, pulse el botón de Bluetooth para entrar en el modo de emparejamiento, el indicador de Bluetooth parpadeará en azul.
4. Cuando la conexión se realiza correctamente, el indicador de Bluetooth se ilumina con una luz fija.
5. Mantenga pulsado el botón de Bluetooth si desea desconectar el altavoz Bluetooth conectado actualmente.

Nota: Si el emparejamiento falla, el indicador de Bluetooth se iluminará en rojo. Puede pulsar el botón de Bluetooth para reiniciar el emparejamiento o mantener pulsado el botón de Bluetooth para salir de la transmisión Bluetooth.

### Escucha a través de las tomas de RCA

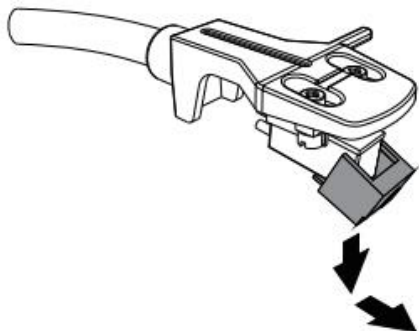
1. Conecte los conectores rojo y blanco del cable de RCA incluido a la toma de RCA de la parte posterior del tocadiscos, de rojo a rojo y de blanco a blanco.
2. Conecte el otro extremo del cable a los altavoces, el rojo al altavoz derecho y el blanco al izquierdo.
3. Cambie el interruptor de ENCENDIDO/APAGADO DEL PREAMPLIFICADOR para seleccionar el modo de salida.

Dispositivo externo conectado	Posición del interruptor
Dispositivo con entrada PHONO	APAGADA
Dispositivo sin entrada PHONO	ACTIVADO

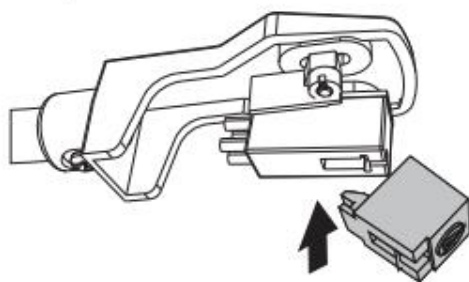
### **Reemplazo de la aguja (número de pieza: Audio-Technica ATN3600L)**

La aguja debería tener una vida útil de aproximadamente 300 horas con un uso normal. No obstante, se recomienda reemplazar la aguja en cuanto se perciba un cambio en la calidad del sonido. El uso prolongado de una aguja desgastada puede dañar los discos.

- 1 Gire el interruptor selector de RPM a la posición de APAGADO para apagar la alimentación.
- 2 Extraiga la aguja tirando de ella hacia abajo y hacia delante al mismo tiempo.



- 3 Inserte la nueva aguja hacia arriba en la ranura situada debajo del cabezal y, a continuación, empuje hacia arriba hasta que la punta encaje en su lugar.



#### **PRECAUCIONES:**

- No retire ni doble la aguja.
- No toque la aguja para evitar lesiones en la mano.
- Mantener fuera del alcance de los niños.

#### **Limpieza del tocadiscos**

- Utilice únicamente un paño limpio y seco.
- Nunca use productos químicos, detergentes o productos abrasivos.
- Cuando el tocadiscos no esté en uso, cierre la cubierta antipolvo para evitar que entre polvo u otro tipo de suciedad en el tocadiscos.

**PRECAUCIÓN:** No derrame ningún líquido sobre el tocadiscos. Esto dañará el tocadiscos. Si se derrama algo sobre el tocadiscos, límpielo inmediatamente con un paño suave y limpio.

## Resolución de problemas


Consulte esta lista para encontrar posibles soluciones a los problemas antes de llamar al servicio técnico.

	<b>Problema</b>	<b>Causa</b>	<b>Solución</b>
<b>LA UNIDAD COMPLETA</b>	La alimentación no se enciende	La unidad está desenchufada.	Conecte la unidad a la alimentación eléctrica del adaptador CA/CC.
	Los altavoces no emiten sonido.	El volumen está bajado hasta el nivel MIN. La entrada en funcionamiento no coincide con la entrada de origen.	Ajuste el volumen; Vuelva a seleccionar una fuente.
	El sonido es ruidoso.	La unidad está demasiado cerca de una TV u otro aparato similar.	Apague la TV u otro aparato y reubique la unidad.
	La unidad no responde o no puede reiniciarse.	Factores externos como la ESD (descarga electrostática) afectan a la unidad.	Desenchufe el cable de alimentación y todos los dispositivos de alimentación, y vuelva a enchufar la unidad al cabo de un minuto.
<b>REPRODUCTOR PHONO</b>	El sonido es ruidoso al reproducir el disco.	La aguja no está colocada en el centro.	Sustituya por una aguja que se coloque en el centro.
	El sonido es ruidoso cuando se utiliza durante un periodo de tiempo.	La aguja está dañada.	Cámbiela por una aguja nueva.
	La función Phono no funciona.	El disco no encaja con la unidad. Puede elegir el disco de 78 rpm para reproducir.	Seleccione un disco adecuado para reproducir (33 o 45 RPM)

Problema		Causa	Solución
BLUETOOTH	No se puede emparejar con un dispositivo Bluetooth.	<p>(1). La unidad no cambia al modo de transmisión Bluetooth.</p> <p>(2) Su dispositivo amplificador de Bluetooth doméstico no se enciende.</p> <p>(3) Su dispositivo está demasiado alejado de la unidad o hay algún obstáculo (<u>por ejemplo</u>, una pared) entre su dispositivo y la unidad.</p>	<p>(1) Pulse el botón PARI para asegurarse de que la unidad cambia al modo de transmisión.</p> <p>(2) Encienda su dispositivo amplificador Bluetooth doméstico.</p> <p>(3) Acerque su dispositivo Bluetooth a la unidad.</p>
		<p>El emparejamiento Bluetooth no se realiza correctamente.</p>	<p>(1) Apague otro dispositivo Bluetooth para garantizar que su dispositivo amplificador Bluetooth se ha desconectado de otro dispositivo Bluetooth.</p> <p>(2) O borre su nombre de conexión Bluetooth en la lista de otros dispositivos Bluetooth (que se hayan conectado antes) emparejados. Esto asegura que la unidad pueda buscar su amplificador Bluetooth de forma fácil y rápida.</p> <p>(3) Compruebe si su dispositivo Bluetooth utiliza recepción certificada BQB o no.</p>

## **Especificaciones**

### General

Fuente de alimentación.....	Adaptador CA/CC
Fabricante .....	Guangdong Leetac Electronics Technology Co.,Ltd.
Modelo .....	GRP12W-120060
Entrada .....	100-240 V, 50/60 Hz, 0,4 A
Salida .....	12,0 V  0,6 A; 7,2 W
Eficiencia activa media .....	82,68 %
Eficiencia con carga baja (10 %).....	N/A
Consumo energético sin carga.....	0,078 W
Dimensiones (An x Al x P) .....	440 mm x 137 mm x 383 mm (aprox.)
Peso .....	4,458 kg (aprox.) (accesorios no incluidos)

### ***REPRODUCTOR DE DISCOS***

Motor.....	Servomotor de CC
Sistema de accionamiento.....	Accionamiento por correa
Velocidades.....	33-1/3 rpm, 45 rpm,
Lloro y trémolo .....	Menos del 0,25 % (WTD)
Relación S/R.....	50 dB
Tipo de cartucho.....	Cartucho magnético móvil
Aguja.....	AT3600L
Salida RCA.....	200-280 mV (5 cm/seg a 1 kHz-10 dB)
Salida Phono.....	3-4 mV (5 cm/seg a 1 kHz-10 dB)

### ***TRANSMISIÓN BLUETOOTH***

Versión de Bluetooth .....	Bluetooth V5.3
Compatibilidad con Bluetooth.....	Perfiles A2DP, AVRCP
Rango de frecuencia del Bluetooth .....	2,402 GHz-2,480 GHz
Distancia de funcionamiento.....	7 metros (30 pies)

## Garantía

Commaxx B.V. ofrece servicio y garantía en conformidad con las leyes europeas, por lo que en caso de requerir una reparación (tanto durante como después del periodo de garantía) debe ponerse en contacto con su distribuidor local.

Nota importante: No es posible enviar directamente a Commaxx B.V. los productos que necesiten reparación.

Nota importante: Si se abre la unidad o se accede a su interior en modo alguno en un centro de mantenimiento no oficial, la garantía quedará anulada.

El dispositivo no es adecuado para un uso profesional. En caso de realizar un uso profesional, todas las obligaciones de garantía del fabricante quedarán anuladas.

## Aviso legal

Se realizan actualizaciones del firmware y/o componentes de hardware de manera periódica. Por tanto, algunas instrucciones, especificaciones e imágenes de estos documentos podrían diferir ligeramente de su modelo concreto. Todos los elementos descritos en esta guía son únicamente para fines ilustrativos y pueden no corresponderse a su modelo concreto. Las descripciones de este manual no otorgarán ningún derecho legal.

## Eliminación de un dispositivo usado



Este símbolo indica que el producto eléctrico o batería pertinente no debe eliminarse con los residuos domésticos generales en Europa. Para garantizar un tratamiento correcto de los residuos del producto y las pilas, elimínelos en conformidad con las leyes locales vigentes para la eliminación de equipos eléctricos y pilas. Al hacerlo, ayudará a preservar los recursos naturales y mejorar los niveles de protección del medio ambiente en el tratamiento y eliminación de residuos eléctricos (Directiva sobre residuos de aparatos eléctricos y electrónicos).

## DECLARACIÓN DE CONFORMIDAD

Por el presente, Commaxx declara que el equipo de radio tipo [Lenco LBT-335/LBT-345] cumple la Directiva 2014/53/UE. El texto completo de la declaración UE de conformidad está disponible en la siguiente dirección de Internet:

[https://commaxx-certificates.com/doc/lbta-165\\_doc.pdf](https://commaxx-certificates.com/doc/lbta-165_doc.pdf)

Tipo de radiofrecuencia	Rango de frecuencia (MHz)	Potencia (dBm)
Bluetooth	2402-2480	<6

## Servicio

Para más información y atención al cliente, visite [www.lenco.com](http://www.lenco.com)

Commaxx B.V. Wiebachstraat 37, 6466 NG, Kerkrade, The Netherlands.

**FORSIGTIG:**

Hvis enheden ikke anvendes, justeres og behandles i overensstemmelse med brugervejledningen, kan det resultere i farlig stråling.

**FORHOLDSREGLER FØR IBRUGTAGNING**

---

**HUSK DISSE ANVISNINGER:**

1. Ventilationsåbninger må ikke tildækkes eller blokeres. Hvis enheden placeres på en hylde, skal der altid være 5 cm (2") frirum på alle sider af enheden.
2. Installér enheden iht. anvisningerne i den medfølgende brugervejledning.
3. Hold enheden på afstand af varmekilder som fx radiatorer, varmeapparater, ovne, stearinlys og andre varmegenererende produkter samt åben ild.  
Enheden er udelukkende til brug i tempererede klimazoner. Undgå stærk varme og kulde. Driftstemperatur mellem 0 °C og 35 °C.
4. Undlad at anvende enheden nær stærke magnetfelter.
5. Elektrostatisk afladning kan forstyrre normal brug af denne enhed. Sker det, skal du blot nulstille og genstarte enheden i henhold til anvisningerne i brugervejledningen. Under filoverførsel skal du være forsigtig og arbejde i et miljø uden statisk elektricitet.
6. Advarsel! Stik aldrig en genstand ind i produktet gennem ventilationshullerne eller åbningerne. Der løber højspænding gennem produktet, og hvis du stikker en genstand ind, kan det give elektrisk stød og/eller kortslutte interne dele. Af samme grund må der ikke spildes vand eller væske på produktet.
7. Benyt ikke enheden på våde eller fugtige steder som fx på et badeværelse, i et dampfyldt køkken eller nær en swimmingpool.
8. Enheden må ikke udsættes for dryp eller stænk. Der må ikke anbringes genstande fyldt med væske, som fx vaser, på eller i nærheden af apparatet.
9. Brug ikke denne enhed, når der kan opstå kondens. Hvis enheden placeres i et varmt og fugtigt rum, kan der danne sig vanddråber eller kondens i den, og den kan muligvis ikke fungere korrekt. Lad enheden være slukket i 1-2 timer, inden du tænder den. Enheden skal være tør, når der tændes for strømmen.
10. Selvom denne enhed er fremstillet med den største omhu og kontrolleret flere gange, før den forlader fabrikken, er det stadig muligt, at der kan opstå problemer, som med alle elektriske apparater. Hvis du bemærker røg, overdreven varmeudvikling eller andre uventede fænomener, skal du straks tage stikket ud af stikkontakten.
11. Denne enhed skal fungere på en strømkilde som angivet på specifikationsetiketten. Hvis du ikke er sikker på, hvilken forsyningsspænding, der anvendes i dit hjem, bør du søge vejledning hos din forhandler eller det lokale elselskab.
12. Holde væk fra dyr. Nogle kæledyr kan finde på at bide i strømkabler.
13. Brug en blød, tør klud til at rengøre enheden. Brug ikke opløsningsmidler eller benzinbaserede væsker.  
Hårnakkede pletter kan fjernes med en let fugtet klud med en mild sæbeopløsning.
14. Producenten er ikke ansvarlig for skade eller mistede data, der skyldes fejlfunktion, misbrug, ændringer af enheden eller udskiftning af batterier.
15. Undlad at afbryde forbindelsen, mens enheden formateres, eller der overføres filer. Ellers kan data blive beskadiget eller gå tabt.
16. Hvis enheden har USB-afspilningsfunktion, skal USB-hukommelsesnøglen tilsluttes direkte til enheden. Brug ikke et USB-forlænger-kabel, da det kan forårsage interferens og dermed ødelægge data.
17. Mærkepladen findes i bunden eller på bagsiden af enheden.
18. Denne enhed må ikke bruges af personer (inkl. børn) med nedsatte fysiske motoriske eller mentale evner eller manglende erfaring, medmindre de er blevet instrueret i brugen af en person, der er ansvarlig for deres sikkerhed, og er under dennes opsyn.
19. Produktet er udelukkende beregnet til professionel brug, ikke til kommerciel eller industriel anvendelse.

20. Sørg for, at enheden er justeret til en stabil position. Skade, der skyldes anvendelse af produktet i en ustabil position, vibrationer, stød eller manglende overholdelse af de retningslinjer og andre advarsler, der er udstukket i denne brugervejledning, dækkes ikke af garantien.
21. Åbn aldrig enhedens kabinet.
22. Placér aldrig denne enhed ovenpå andet elektrisk udstyr.
23. Lad ikke børn få adgang til plastposer.
24. Brug kun tilslutninger/tilbehør, der er angivet af producenten.
25. Overlad al service til kvalificeret servicepersonale. Service er påkrævet, hvis enheden på nogen måde er beskadiget, hvis f.eks. strømkablet eller stikket er beskadiget, hvis der er spildt væske på enheden, eller hvis en genstand er faldet ned i den, hvis enheden har været udsat for regn eller fugt, ikke fungerer korrekt eller er blevet tabt.
26. Langvarig lytning til musik ved høj lydstyrke kan medføre midlertidigt eller permanent høretab.
27. Hvis produktet leveres med strømkabel eller strømforsyning til vekselstrøm:
  - Hvis der opstår problemer, skal du tage stikket ud af kontakten og overlade al service til kvalificeret tekniker.
  - Undgå at træde på eller klemme strømadapteren. Vær meget forsigtig, især i nærheden af stikkene og kablets udgang. Placer ikke tunge genstande på strømadapteren, da de kan beskadige den. Hold hele enheden uden for børns rækkevidde! Hvis børn leger med strømkabler, kan de komme slemt til skade.
  - Tag stikket ud af stikkontakten i tordenvejr, samt hvis du ikke skal bruge enheden i længere tid.
  - Enheden skal placeres nær stikkontakten, og der skal altid være let adgang til den stikkontakt, enheden er tilsluttet.
  - Overbelast ikke stikkontakter eller forlængerledninger. Overbelastning kan forårsage brand eller elektrisk stød.
  - Enheder med klasse 1-opbygning bør forbindes til en stikkontakt med jord.
  - Enheder med klasse 2-opbygning kræver ikke jordforbindelse.
  - Hold altid i stikket, når du trækker det ud af stikkontakten. Træk ikke i netledningen. Det kan forårsage en kortslutning.
  - Brug ikke en beskadiget ledning eller stik eller en løs stikkontakt. Det kan resultere i brand eller elektrisk stød.
28. Hvis produktet indeholder eller leveres med en fjernbetjening indeholdende knapcellebatterier:  
Advarsel:
  - "Slug ikke batteriet. Der er risiko for kemisk forbrænding" eller tilsvarende.
  - [Fjernbetjeningen leveres med] Dette produkt indeholder et knapcellebatteri, der, hvis det sluges, kan forårsage kraftig indre forbrænding på blot 2 timer og kan medføre dødsfald.
  - Hold nye og brugte batterier udenfor børns rækkevidde.
  - Hvis batterirummet ikke kan lukkes sikkert, skal du holde op med at bruge produktet og holde det udenfor børns rækkevidde.
  - Hvis du tror, et batteri kan være blevet slugt eller placeret inden i nogen del af kroppen, skal du omgående søge lægehjælp.
29. Advarsler omkring brug af batterier:
  - Eksplosionsfare, hvis batteriet udskiftes forkert. Udskift kun batteriet med den samme eller en tilsvarende type.
  - Batteriet må ikke udsættes for ekstremt høje eller lave temperaturer eller lavt lufttryk ved stor højde under brug, opbevaring eller transport.
  - Udskiftning af et batteri med et andet af forkert type kan medføre eksplosion eller lækage af brændbar væske eller gas.
  - Bortskaffelse af batterier ved afbrænding eller i en varm ovn eller ved mekanisk knusning eller opskæring af et batteri kan medføre en eksplosion.
  - Hvis et batteri efterlades i omgivelser med ekstremt høje temperaturer, kan det medføre eksplosion eller lækage af brændbar væske eller gas.
  - Hvis et batteri udsættes for ekstremt lavt lufttryk, kan det medføre eksplosion eller lækage af brændbar væske eller gas.

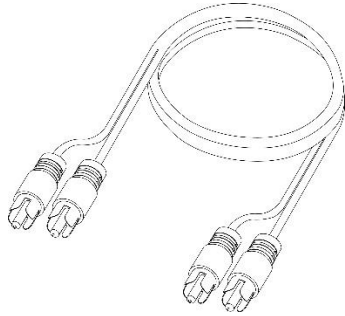
- Tænk på miljøet ved bortskaffelse af brugte batterier.

#### **INSTALLATION**

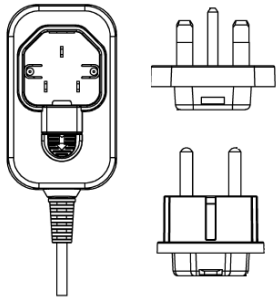
- Udpak alle dele, og fjern beskyttelsesmaterialerne.
- Slut ikke enheden til lysnettet, før du har kontrolleret forsyningsspændingen og foretaget alle nødvendige tilslutninger.

#### **Indholdet i pakken:**

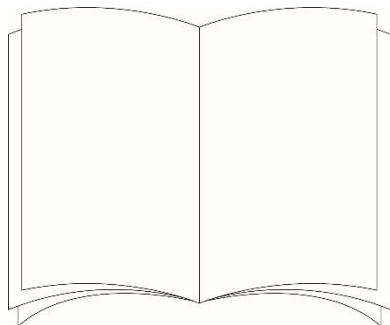
RCA-kabel



Strømforsyning



Brugervejledning



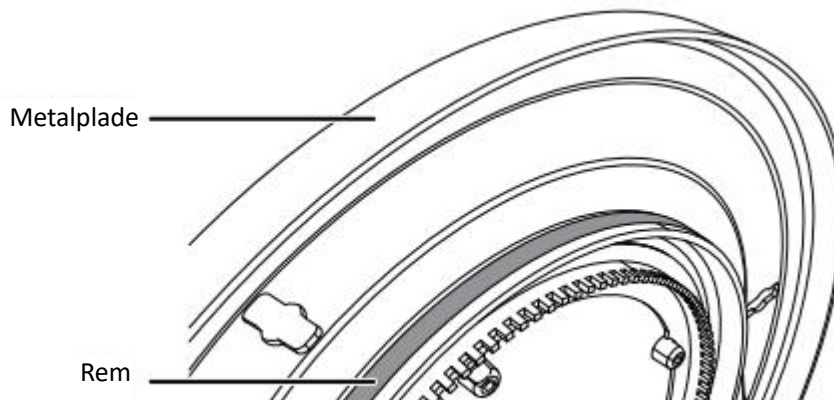


## Opsætning af din pladespiller

Tag forsigtigt produktet ud af emballagen, og pak alle emballagematerialer ud. Kontrollér, at alt tilbehør er komplet. Vælg derefter et fladt og sikkert sted til at samle pladespilleren.

### **Montering af metalplade og måtte til pladetallerken**

**Bemærk:** Remmen er forudinstalleret i bunden af metalpladen.



1. Sørg for, at remmen ikke er snoet, og brug derefter tommelfingeren til at strække remmen, indtil det runde holder i pladen.

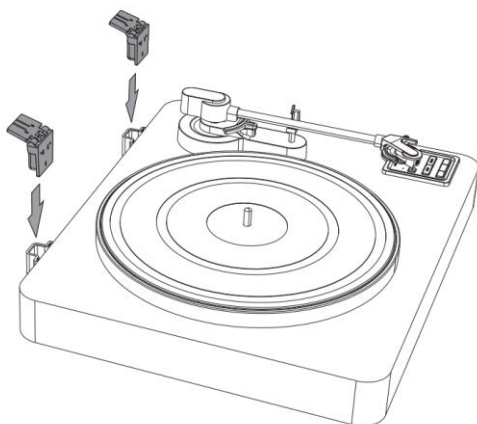
**Bemærk:** Sørg for at placere remmen på metalsporet og ikke på sektionen med tænder.

2. Hold stadig fast i remmen, vend pladespilleren om, og sæt derefter pladespilleren på spindlen i midten af pladespilleren.
3. Ret det runde hul i tallerkenen ind efter remskiven, og brug fingeren til at hægte remmen fast på remskiven.
4. Placer plademåtten på pladetallerkenen.

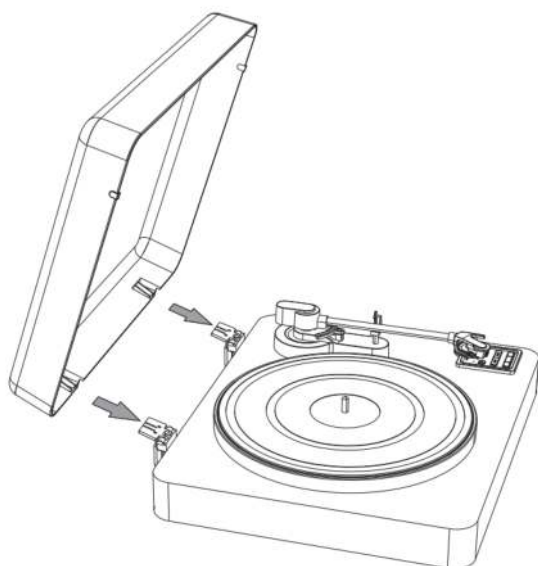
**Bemærk:** Når du vil tage pladespilleren ud af pladespilleren, skal du først fjerne måtten og derefter tage fat i pladespilleren og trække den opad. Dette er især vigtigt, hvis du sender din pladespiller for at forhindre, at pladen ryster.

### **Montering af støvlåget**

1. Sæt støvlågets hængsler ind i hængselsbaserne på enhedens bagpanel.



2. Hold støvlåget, og sæt det ind i hængslerne.



### **Sæt strøm til pladespilleren**

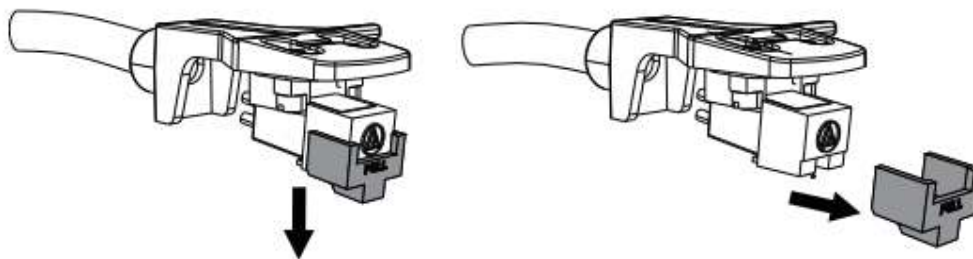
Du kan strømforsyne enheden med den medfølgende AC/DC-adapter. Tjek typeskiltet på AC/DC-adapteren med din netspænding, før du tænder for enheden. AC/DC-adapteren har en indgangsspænding på 100-240 V~50/60 Hz og en udgangsspænding på 12 V  $\overline{\text{---}}$  0,6 A.

### **Bemærk:**

- For at afbryde enheden fra lysnettet skal du trække netstikket ud af stikkontakten.
- Hvis der ikke er nogen betjening i 15 minutter efter endt afspilning, slukker maskinen automatisk. Hvis du vil bruge den igen, skal du sætte kontakten til strøm/omdrejningstal i OFF-position og derefter vælge 33/45 o/min. igen.

### **Fjern nålehætten**

Fjern nålehætten, før du afspiller pladen.



## **Sådan bruges pladespilleren**

### **Afspilning af plade**

1. Åbn forsigtigt topdækslet.

Bemærk: Pas på ikke at klemme din finger, når du åbner eller lukker topdækslet.

2. Placér en vinylplade på pladetallerkenen.

3. Vælg den passende hastighed ved at dreje kontakten til omdrejningstal til 33 eller 45. Samtidig skal du vælge den passende størrelse ved at skubbe størrelsesvælgeren til 7 eller 12.
4. Fjern klemmen på tonearmsholderen for at frigøre tonearmen.
5. Tryk på knappen START, og så bevæger tonearmen sig automatisk hen til pladen og begynder at afspille den.
6. Tryk på **knappen Spol frem/Spol tilbage** for at springe i nummeret. Et langt nummer springer kontinuerligt i sporet.
7. Tryk på knappen OP/NED, og så hæves eller sænkes tonearmen. Afspilningen afspilles eller sættes på pause.
8. Når pladen er færdig med at blive afspillet, stopper pladen med at rotere, og tonearmen vender automatisk tilbage til tonearmens sæde.

BEMÆRK: Når den ikke er i brug, skal du fastgøre armlåsen for at forhindre, at armen løsner sig og beskadiger nålen eller pladespilleren.

#### **Lyt til musik ved hjælp af Bluetooth-højtalere**

1. Drej kontakten til din pladetype, 33 eller 45. Vælg størrelsen på pladen, 7 eller 12.
2. Sæt din Bluetooth-højtaler i parringstilstand.

BEMÆRK: Sørg for, at Bluetooth er slået fra på alle enheder i nærheden, som automatisk vil oprette forbindelse til din højtaler.

3. Tryk på Bluetooth-knappen på pladespilleren for at gå ind i parring. Bluetooth-indikatoren blinker blåt.
4. Når forbindelsen er oprettet, lyser Bluetooth-indikatoren konstant.
5. Et langt tryk på Bluetooth-knappen kan frakoble den aktuelt tilsluttede Bluetooth-højtaler.

Bemærk: Hvis parringen mislykkes, lyser Bluetooth-indikatoren rødt. Du kan trykke på Bluetooth-knappen for at genstarte parringen eller trykke længe på Bluetooth-knappen for at afslutte Bluetooth-transmissionen.

#### **Lyt til musik gennem RCA-stikkene**

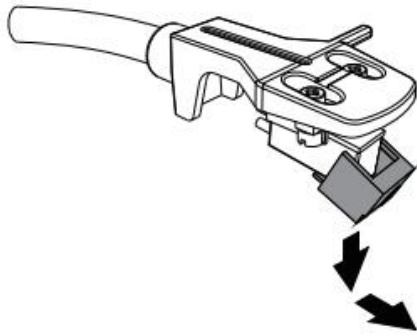
1. Sæt de røde og hvide stik på det medfølgende RCA-kabel i RCA-stikket på bagsiden af din pladespiller, rød til rød og hvid til hvid.
2. Sæt den anden ende af kablet i dine højtalere, rød til højre højtaler og hvid til venstre højtaler.
3. Brug kontakten til forforstærker for at vælge udgangstilstand.

Tilsluttet ekstern enhed	Kontaktens position
Enhed med PHONO-indgang	FRA
Enhed uden PHONO-indgang	TIL

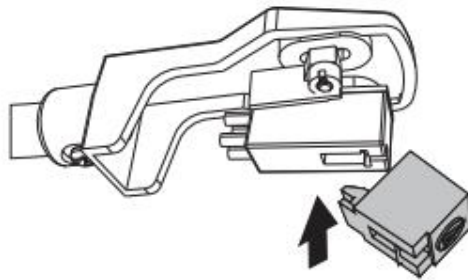
#### **Udskiftning af nål (reservedelsnummer: Audio-Technica ATN3600L)**

Nålen holder ca. 300 timer ved normal brug. Vi anbefaler dog, at du udskifter nålen, så snart du bemærker en ændring i lyd kvaliteten. Langvarig brug af en slidt nål kan beskadige pladerne.

- 1 Drej vælgeren til omdrejningstal til OFF for at slukke for strømmen.
- 2 Fjern nålen ved at trække den nedad og fremad på samme tid.



- 3 Sæt den nye nål opad i åbningen under hovedet, og skub derefter opad, indtil spidsen låses på plads.



**FORSIGTIG:**

- Nålen må ikke fjernes eller bøjes.
- Rør ikke ved nålen for at undgå skader på hånden.
- Hold den uden for børns rækkevidde.

**Rengøring af din pladespiller**

- Brug kun en ren og tør klud.
- Brug aldrig kemikalier, rengøringsmidler eller slibemidler.
- Når du ikke bruger pladespilleren, skal du lukke støvhætten for at forhindre, at der kommer støv eller andet snavs på pladespilleren.

FORSIGTIG: Spild ikke væske på pladespilleren. Det vil beskadige pladespilleren. Hvis der spildes noget på pladespilleren, skal det straks tørres af med en blød, ren klud.

**Fejlfinding**

Tjek denne liste for mulige fejlfindingsløsninger, før du ringer efter service.

	Problem	Årsag	Løsning
<b>HELE ENHEDEN</b>	Strømmen tændes ikke	Enheden er taget ud af stikkontakten.	Tilslut enheden til AC/DC-adapterens strømforsyning.
	Der kommer ingen lyd fra højttalerne.	Lydstyrken er skruet ned til MIN; Driftsindgangen stemmer ikke overens med kildeindgangen.	Justering af lydstyrken; Vælg en anden kilde.
	Lyden er støjende.	Enheden er for tæt på et tv eller et andet lignende apparat.	Sluk for tv'et eller det andet apparat, og placer enheden et andet sted.
	Enheden reagerer ikke eller kan ikke nulstilles.	Eksterne faktorer som ESD (elektrostatisk afladning) påvirker enheden.	Fjern netledningen og alle strømforsyningsenheder, og sæt derefter stikket i igen efter et minut.

	<b>Problem</b>	<b>Årsag</b>	<b>Løsning</b>
<b>PHONO-AFSPILLER</b>	Lyden er støjende, når der afspilles en plade.	Nålen er ikke placeret i midten.	Udskift den med en nål, der er placeret i midten.
	Lyden er støjende, når den bruges i længere tid.	Nålen er beskadiget.	Udskift den med en ny nål.
	Phono-enheden virker ikke.	Pladen passer ikke til enheden. Du kan have valgt en plade med 78 o/min. til afspilning.	Vælg en passende plade til afspilning (33 eller 45 o/min).
<b>BLUETOOTH</b>	Kan ikke parres med en Bluetooth-enhed.	(1) Enheden skifter ikke til Bluetooth-transmissionstilstand. (2) Din Bluetooth-forstærkerenhed derhjemme tændes ikke. (3) Din enhed er for langt væk fra enheden, eller der er en forhindring (f.eks. en væg) mellem din enhed og enheden.	(1) Tryk på knappen PAR for at sikre, at enheden skifter til transmissionstilstand. (2) Tænd for din Bluetooth-forstærkerenhed i hjemmet (3) Flyt din Bluetooth-enhed tættere på enheden.
		Bluetooth-parringen er ikke vellykket.	(1) Sluk for den anden Bluetooth-enhed for at sikre, at din Bluetooth-forstærkerenhed har afbrudt forbindelsen til den anden Bluetooth-enhed. (2) Eller slet dit Bluetooth-forbindelsesnavn på den anden Bluetooth-enheds (har været tilsluttet før) parringsliste. Det sikrer, at enheden nemt og hurtigt kan søge efter din Bluetooth-forstærker. (3) Tjek din Bluetooth-enhed, om den bruger BQB-certificeret modtagelse eller ej.

## **Specifikationer**

### Generelt

Strømkilde .....	AC/DC-adapter
Producent .....	Guangdong Leetac Electronics Technology Co.,Ltd.
Model .....	GRP12W-120060
Indgang .....	100-240 V, 50/60 Hz, 0,4 A
Udgangsspænding .....	12,0 V $\equiv$ 0,6 A; 7,2 W
Gns. aktiv effektivitet.....	82,68 %
Effektivitet ved lav belastning (10 %).....	N/A
Strømforbrug ved ingen belastning .....	0,078 W
Mål (B x H x D) .....	440 mm x 137 mm x 383 mm (ca.)
Vægt.....	4,458 kg (ca.) (omfatter ikke tilbehør)

### **PLADESPILLER**

Motor.....	DC-servomotor
Drivsystem .....	Remdrevet
Hastigheder .....	33-1/3 o/min., 45 o/min.,
Wow-flutter .....	Mindre end 0,25 % (WTD)
Signal-støj-forhold .....	50 dB
Patrontype .....	Kassette med bevægelig magnet
Nål.....	AT3600L
RCA-udgang .....	200-280 mV (5 cm/sek. ved 1 KHz-10 dB)
Phono-udgang .....	3-4 mV (5 cm/sek. ved 1 KHz-10 dB)

### **BLUETOOTH-TRANSMISSION**

Bluetooth-version .....	Bluetooth V5.3
Bluetooth understøtter .....	A2DP, AVRCP-profiler
Frekvensområde for Bluetooth .....	2,402 GHz-2,480 GHz
Driftsafstand .....	7 meter (30 fod)

## Garanti

Commaxx B.V. tilbyder service og garanti i overensstemmelse med europæisk lov, hvilket betyder, at i tilfælde af reparationer (både under og efter garantiperioden) skal du kontakte din lokale forhandler.

Vigtig meddelelse: Det er ikke muligt at sende produktet direkte til Commaxx B.V., hvis det kræver reparation.

Vigtig meddelelse: Hvis enheden åbnes eller på nogen måde tilgås af et ikke-godkendt servicecenter, bortfalder garantien.

Denne enhed er ikke egnet til professionel brug. I tilfælde af professionel brug bortfalder alle garantiforpligtelser fra producentens side.

## Ansvarsfraskrivelse

Firmware og/eller hardwarekomponenter opdateres regelmæssigt. Derfor kan nogle af instruktionerne, specifikationerne og billederne i denne dokumentation afvige lidt fra din særlige situation. Alle elementer, der beskrives i denne vejledning, er kun til illustration og gælder muligvis ikke for en bestemt situation. Der kan ikke opnås juridiske rettigheder fra beskrivelsen i denne vejledning.

## Bortskaffelse af udtjente enheder



Symbolet angiver, at det relevante elektriske produkt eller batteri inden for Europa ikke må bortskaffes som almindeligt husholdningsaffald. For at sikre korrekt affaldsbehandling af produktet og batteriet bedes du bortskaffe dem i overensstemmelse med gældende lokal lovgivning om krav til bortskaffelse af elektrisk udstyr eller batterier. På den måde hjælper du med at bevare naturens ressourcer og forbedre standarderne for miljøbeskyttelse i forbindelse med behandling og bortskaffelse af elektrisk affald (direktivet om affald af elektrisk og elektronisk udstyr).

## OVERENSSTEMMELSESERKLÆRING

Commaxx erklærer hermed, at radioudstyrstypen [Lenco LBT-335/LBT-345] er i overensstemmelse med direktiv 2014/53/EU. Den fulde tekst af EU-overensstemmelseserklæringens fulde tekst kan findes på følgende internetadresse:

[https://commaxx-certificates.com/doc/lbta-165\\_doc.pdf](https://commaxx-certificates.com/doc/lbta-165_doc.pdf)

Type RF	Frekvensområde (MHz)	Effekt (dBm)
Bluetooth	2402-2480	< 6

## Service

Gå ind på [www.lenco.com](http://www.lenco.com) for yderligere oplysninger og support fra vores helpdesk

Commaxx B.V. Wiebachstraat 37, 6466 NG, Kerkrade, The Netherlands.

### **IAKTTA FÖRSIKTIGHET:**

Användning av andra kontroller eller justeringar eller utföra andra procedurer än de som anges i detta dokument kan leda till exponering för farlig strålning.

### **FÖRSIKTIGHETSÅTGÄRDER FÖRE ANVÄNDNING**

---

#### **IAKTTA DESSA ANVISNINGAR:**

1. Ventilationsöppningarna får inte täckas över eller blockeras. När enheten placeras på en hylla bör det lämnas 5 cm (2 tum) ledigt utrymme runt hela enheten.
2. Montering ska ske i enlighet med den medföljande bruksanvisningen.
3. Håll enheten borta från värmekällor såsom element, värmefläktar, spisar, ljus och andra värmegenererande produkter, samt öppen eld.  
Enheten får endast användas i milda klimat. Undvik extremt kalla eller varma miljöer. Drifttemperatur mellan 0 och 35 °C.
4. Enheten bör inte användas i närheten av starka magnetfält.
5. Elektrostatiska urladdningar kan påverka enhetens funktion. Om detta sker behöver enheten bara återställas och startas om i enlighet med bruksanvisningen. Vid filöverföring måste enheten hanteras med försiktighet i en miljö fri från statisk elektricitet.
6. Varning! Föremål får aldrig föras in i produkten genom ventilerna eller öppningarna. Hög spänning flödar genom produkten och om du för in ett föremål kan det orsaka elektriska stötar och/eller kortslutning av interna komponenter. Undvik att spilla vatten eller annan vätska på produkten av samma anledning.
7. Enheten får inte användas i våta eller fuktiga miljöer såsom badrum, ångfyllda kök eller i närheten av simbassänger.
8. Enheten får inte utsättas för dropp eller stänk och det ska säkerställas att inga föremål som är fyllda med vätskor, t.ex. vaser, placeras på eller i närheten av enheten.
9. Enheten får inte användas när kondens kan uppstå. När enheten används i ett varmt och fuktigt rum kan vattendroppar eller kondens uppstå inuti enheten och enheten kanske inte fungerar som den ska. Låt enheten vara avstängd i en eller två timmar innan du slår på strömmen igen. Enheten ska vara torr innan strömmen slås på.
10. Även om enheten tillverkas med största omsorg och kontrolleras flera gånger innan den lämnar fabriken är det fortfarande möjligt att problem kan uppstå, som med alla elektriska apparater. Om du upptäcker rök, kraftig värmebildning eller andra oväntade fenomen måste du dra ut kontakten ur eluttaget omedelbart.
11. Enheten måste strömförsörjas med en strömkälla enligt specifikationen på typskylten. Kontakta din återförsäljare eller ditt lokala elbolag om du är osäker på vilken typ av strömförsörjning som finns i din bostad.
12. Håll enheten utom räckhåll för djur. Vissa djur kan bita på strömkablar.
13. Använd en mjuk och torr trasa för att rengöra enheten. Lösningemedel eller bensinbaserade vätskor får inte användas.  
Använd en fuktig trasa med utspätt diskmedel för att ta bort svåra fläckar.
14. Leverantören ansvarar inte för skador eller förlorade data som orsakas av funktionsfel, felaktig användning, modifiering av enheten eller batteribyte.
15. Anslutningen får inte avbrytas när enheten formaterar eller överför filer. Detta kan medföra att data skadas eller raderas.
16. USB-minnet bör anslutas direkt till enheten om enheten har en funktion för USB-uppspelning. Använd inte en USB-förlängningskabel eftersom den kan orsaka störningar som leder till förlust av data.
17. Typskylten är placerad på enhetens undersida eller baksida.
18. Enheten är inte avsedd för användning av personer (inklusive barn) med fysiska, sensoriska eller psykiska funktionshinder eller brist på erfarenhet och kunskap, såvida de inte är under uppsikt av eller har fått anvisningar om hur enheten ska användas på rätt sätt av den person som ansvarar för deras säkerhet.
19. Produkten är endast avsedd för icke professionell användning och inte för kommersiellt eller industriellt bruk.

20. Kontrollera att enheten har justerats så att den står stadigt. Skador orsakade av att produkten används i ett instabilt läge eller utsätts för vibrationer eller stötar eller av att någon annan varning eller försiktighetsåtgärd i denna bruksanvisning inte följs, täcks inte av garantin.
21. Ta aldrig bort enhetens hölje.
22. Eheten får aldrig placeras ovanpå annan elektrisk utrustning.
23. Håll plastpåsarna utom räckhåll för barn.
24. Använd endast tillbehör som anges av tillverkaren.
25. Överlåt all service till kvalificerad servicepersonal. Service krävs när t.ex. nätsladden eller kontakten har skadats på något sätt, när vätska har spillts eller föremål har fallit ner i enheten, när enheten har utsatts för regn eller fukt, inte fungerar normalt eller har tappats.
26. Långvarig exponering för höga ljud från musikspelare kan leda till tillfälliga eller permanenta hörselnedsättningar.
27. Om produkten levereras med strömkabel eller nätadapter:
  - Dra ur strömkabeln och kontakta behörig personal för service om ett problem uppstår.
  - Undvik att trampa på nätadaptern och låt den inte hamna i kläm. Var mycket försiktig och då särskilt i närheten av kontakter och kabelns uttag. Tunga föremål får inte placeras på nätadaptern då detta kan medföra att den skadas. Håll hela enheten utom räckhåll för barn! Om de leker med strömkabeln kan det orsaka allvarliga personskador.
  - Koppla ur enheten vid åskväder eller om den inte används under en längre tid.
  - Eluttaget måste vara placerat nära utrustningen och vara lättillgängligt.
  - Eluttaget och förlängningskablar får inte överbelastas. Överbelastning kan orsaka brand eller medföra elektriska stötar.
  - Enheter med klass 1-konstruktion ska anslutas till ett jordat eluttag.
  - För enheter med klass 2-konstruktion krävs ingen jordad anslutning.
  - Håll alltid i kontakten när du drar ur den ur vägguttaget. Dra inte i strömkabeln. Detta kan orsaka en kortslutning.
  - En skadad strömkabel, kontakt eller ett löst eluttag får inte användas. Det kan orsaka brand eller medföra elektriska stötar.
28. Om produkten innehåller eller levereras med en fjärrkontroll som innehåller knappcells batterier:

Varning:

  - Batteriet får inte sväljas, eftersom kemiska brännskador eller motsvarande då kan uppstå.
  - [Den medföljande fjärrkontrollen] Den här produkten innehåller ett knapp-/myntcells batteri. Om batteriet sväljs kan det orsaka allvarliga inre brännskador på bara två timmar och dessa kan vara livshotande.
  - Håll nya och förbrukade batterier utom räckhåll för barn.
  - Sluta använda produkten om batterifacket inte går att stänga ordentligt, och håll den utom räckhåll för barn.
  - Om du tror att batterier har förtärts eller finns inuti någon del av kroppen måste du omedelbart söka läkarvård.
29. Varning vid användning av batterier:
  - Explosionsrisk om batteriet byts ut på ett felaktigt sätt. Batteriet måste bytas mot samma eller en likvärdig typ.
  - Batteriet får inte utsättas för extremt höga eller låga temperaturer samt lågt lufttryck vid hög höjd, vid användning, förvaring eller transport.
  - Byte av ett batteri mot en felaktig typ kan medföra explosion eller läckage av brandfarlig vätska och/eller gas.
  - Avfallshantering av ett batteri på en öppen eld, i en varm ugn, mekanisk krossning eller kapning kan medföra explosion.
  - Batteriet får inte lämnas i en miljö med extremt hög temperatur då detta kan medföra explosion eller läckage av brandfarlig vätska och/eller gas.
  - Batteriet får inte utsättas för extremt lågt lufttryck, då detta kan medföra explosion eller läckage av brandfarlig vätska och/eller gas.

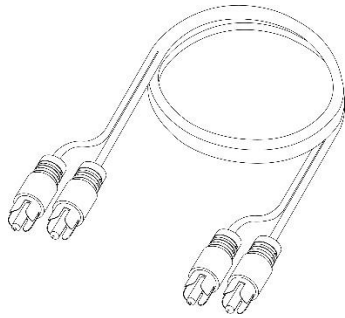
- Miljöaspekter måste iakttas vid avfallshantering av batterier.

#### **INSTALLATION**

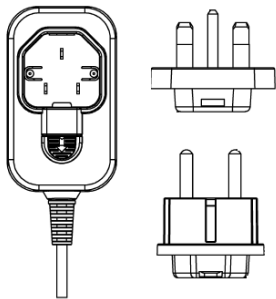
- Packa upp alla delar och ta bort skyddsmaterialet.
- Anslut inte enheten till elnätet innan du kontrollerar nätspänningen och att alla andra anslutningar har gjorts.

#### **Förpackningen inkluderar:**

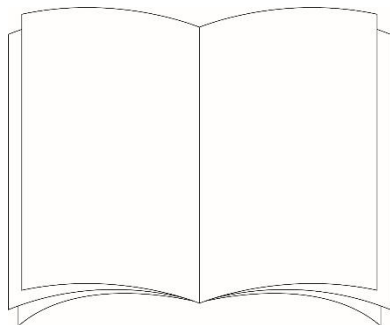
RCA-kabel



Strömadapter

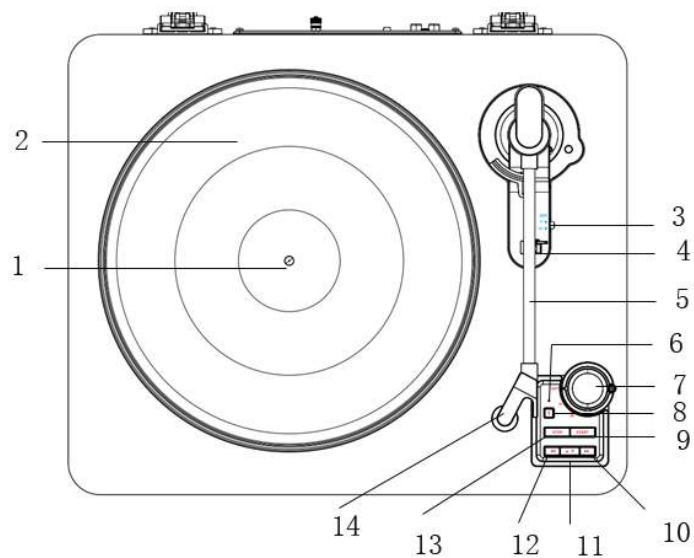


Bruksanvisning



## Produktöversikt

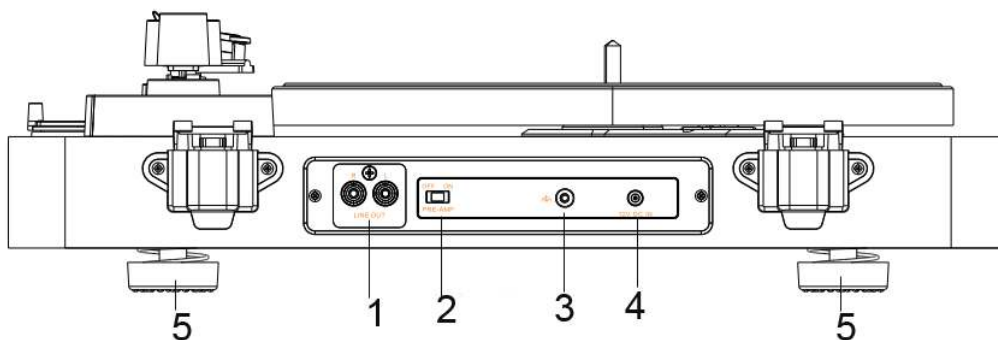
### Vy ovanifrån:



- |                                      |                                    |
|--------------------------------------|------------------------------------|
| 1. Spindel                           | 8. Bluetooth-knapp                 |
| 2. Skivtallrik i aluminium           | 9. Startknapp                      |
| 3. Omkopplare för val av skivstorlek | 10. Knapp för snabbspolning framåt |
| 4. Tonarmshållare                    | 11. Upp/ned-knapp                  |
| 5. Tonarm                            | 12. Knapp för snabbspolning bakåt  |
| 6. Bluetooth-indikator               | 13. Stopp-knapp                    |
| 7. Omkopplare för effekt/varvtal     | 14. Pickup med rörlig magnet       |

(AV-33-45)

### Vy bakifrån:



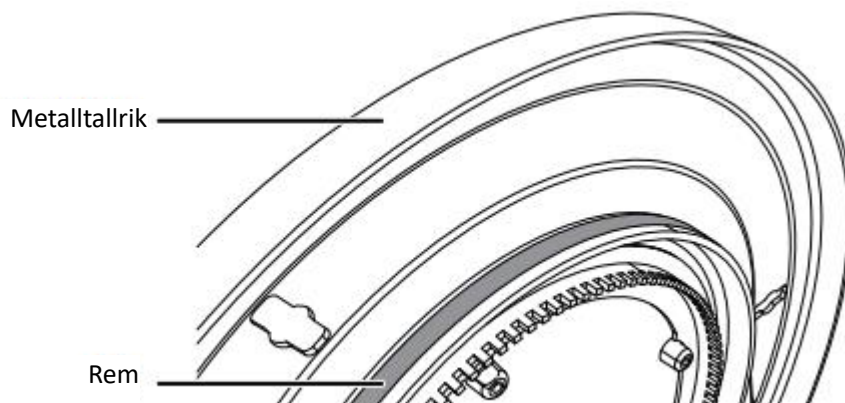
- |   |                |
|---|----------------|
| 1. RCA-uttag                            | 4. DC in-uttag |
| 2. AV/PÅ-omkopplare för förförstärkning | 5. Fötter      |
| 3. Jordanslutning                       |                |

## Inställning av skivspelaren

Avlägsna försiktigt produkten från förpackningen och packa upp allt förpackningsmaterial. Kontrollera att alla tillbehör finns med. Välj sedan en jämn och säker plats att placera skivspelaren på.

### Montering av metalltallriken och skivspelarmattan

**Obs:** Remmen är förmonterad på metalltallriken undersida



1. Kontrollera att remmen inte är tvinnad och använd sedan tummen för att sträcka remmen tills den når det runda fästet i tallriken.

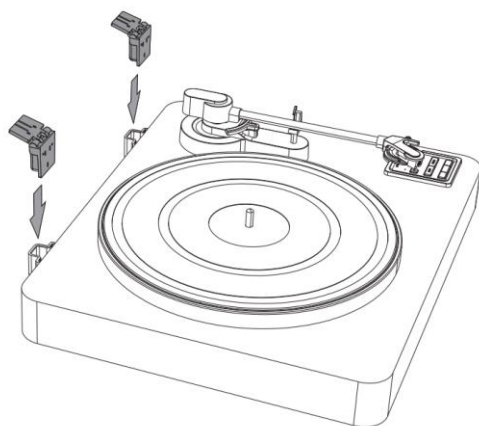
**Obs:** Se till att placera remmen på metallskenan och inte på den del som har kuggar.

2. Håll i remmen och vänd på skivtallriken och sätt sedan skivtallriken på spindeln mitt på skivspelaren.
3. Rikta in det runda hålet i tallriken mot remskivan och använd fingret för att haka fast remmen på remskivan.
4. Placera skivspelarmattan på skivtallriken.

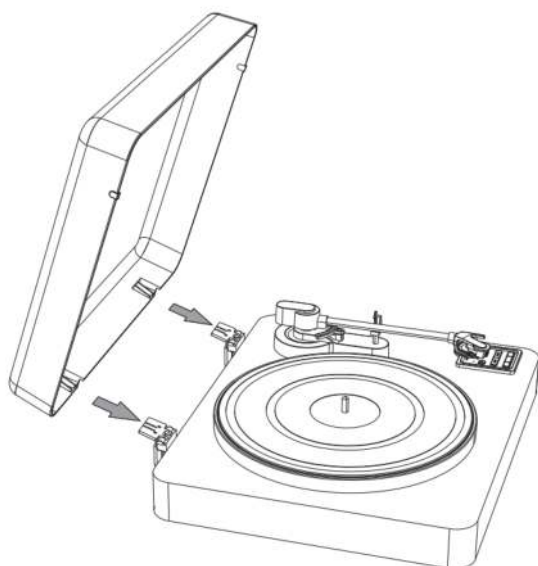
**Obs:** För att ta bort skivtallriken från skivspelaren tar du först bort mattan, och sedan tar du tag i skivtallriken och drar den uppåt. Detta är extra viktigt om skivspelaren ska fraktas, för att förhindra att skivtallriken skakar.

### Montera dammskyddet

1. Sätt i dammskyddets gångjärn i gångjärnsfästena på enhetens baksida.



2. Håll i dammskyddet och för in det i gångjärnen.



### **Strömförsörjning av skivspelaren**

Enheten kan strömförsörjas med den medföljande AC/DC-adaptorn. Kontrollera att märkskylten på AC/DC-adaptorn överensstämmer med nätspänningen innan enheten slås på.

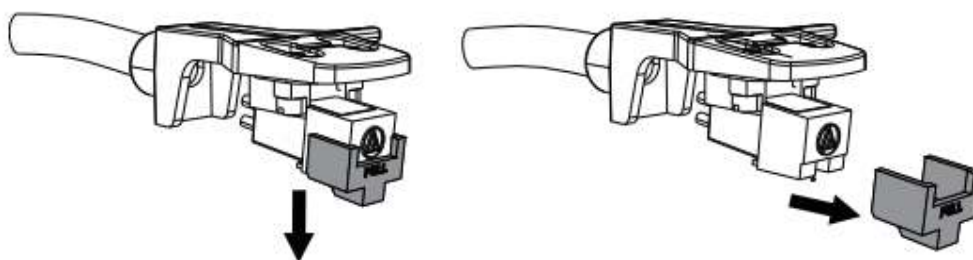
AC/DC-adaptorn har ingång 100–240 V ~ 50/60 Hz, utgång 12 V  $\overline{\text{---}}$  0,6 A.

### **Obs:**

- Dra ut nätkontakten ur vägguttaget för att frångkoppla apparaten från elnätet.
- Om inget görs under 15 minuter efter att uppspelningen har avslutats stängs enheten av automatiskt. När du vill använda den igen ställer du omkopplaren för effekt/varvtal i läget AV och väljer sedan 33/45 varv igen.

### **Ta bort nålskyddet**

Ta bort nålskyddet innan skivan spelas upp.



## Använda skivspelaren

### Spela upp en skiva

1. Öppna försiktigt det övre locket.
- Obs: Var försiktig så att du inte klämmer fingret när du öppnar eller stänger locket.
2. Placera en vinylskiva på skivtallriken.
  3. Välj rätt hastighet genom att vrida varvtalsomkopplaren till 33 eller 45. Samtidigt väljer du rätt storlek genom att skjuta storleksomkopplaren till 7 eller 12 tum.
  4. Ta bort spärren på tonarmshållaren för att frigöra tonarmen.
  5. Tryck på START-knappen, så flyttas tonarmen automatiskt till skivan och skivan börjar spelas upp.
  6. Tryck på **knappen för snabbspolning framåt/bakåt** för att hoppa över spåret. Om du håller knappen intryckt hoppas spåren över kontinuerligt.
  7. Tryck på UPP/NED-knappen så höjs eller sänks tonarmen. Uppspolningen startar eller pausas.
  8. När skivan har spelats klart slutar den att rotera och tonarmen återgår automatiskt till tonarmshållaren.

Obs: När tonarmen inte används ska fästet låsas för att förhindra att tonarmen lösgörs och skadar nålen eller skivspelaren.

### Lyssna på musik via Bluetooth-högtalare

1. Vrid omkopplaren till aktuell skivtyp, 33 eller 45 varv. Välj sedan skivans storlek, 7 eller 12 tum.
  2. Sätt Bluetooth-högtalaren i parkopplingsläge.
- Obs: Kontrollera att Bluetooth är avstängt på alla enheter i närheten som ansluter automatiskt till högtalaren.
3. På skivspelaren trycker du på Bluetooth-knappen för att parkoppla. Bluetooth-indikatorn blinkar blått.
  4. När parkopplingen är klar övergår Bluetooth-indikatorn till fast sken.
  5. Håll Bluetooth-knappen intryckt om du vill koppla bort den Bluetooth-högtalare som är ansluten.

Obs: Om parkopplingen misslyckas lyser Bluetooth-indikatorn rött. Du kan trycka på Bluetooth-knappen för att starta om parkopplingen eller hålla Bluetooth-knappen intryckt för att avsluta Bluetooth-överföringen.

### Lyssna på via RCA-uttagen

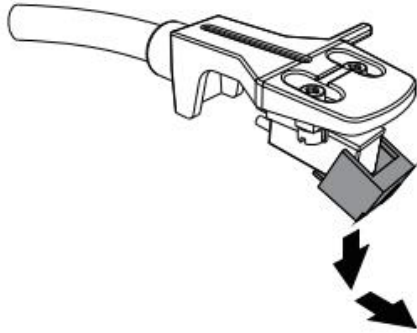
1. Sätt i de röda och vita kontakterna på den medföljande RCA-kabeln i RCA-uttaget på skivspelarens baksida – röd till röd och vit till vit.
2. Anslut kabelns andra ände till högtalarna – röd till höger högtalare och vit till vänster högtalare.
3. Välj utgångsläge med AV/PÅ-omkopplaren för förstärkning.

Ansluten extern enhet	Omkopplarens position
Enhet med PHONO-ingång	AV
Enhet utan PHONO-ingång	PÅ

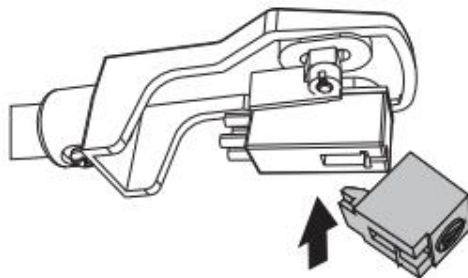
### **Byta ut nålen (artikelnummer: Audio-Technica ATN3600L)**

Vid normal användning bör nålen hålla i cirka 300 timmar. Vi rekommenderar dock att nålen byts ut så snart en förändring av ljudkvaliteten upptäcks. Om en utsliten nål används länge kan skivorna skadas.

- 1 Vrid varvtalsväljaren till AV för att stänga av strömmen.
- 2 Ta bort nålen genom att dra den nedåt och framåt samtidigt.



- 3 Sätt in den nya nålen uppåt i skåran under huvudet och tryck sedan uppåt tills spetsen låses på plats.



#### **IAKTTA FÖRSIKTIGHET:**

- Ta inte bort nålen och böj den inte.
- Rör inte vid nålen för att undvika handskador.
- Förvara utom räckhåll för barn

#### **Rengöra skivspelaren**

- Använd endast en ren, torr trasa.
- Använd aldrig kemikalier, rengöringsmedel eller slipmedel.
- När skivspelaren inte används ska dammskyddet vara stängt för att förhindra damm eller annan smuts på skivspelaren.

IAKTTA FÖRSIKTIGHET: Se till att ingen vätska spills på skivspelaren. Det skadar skivspelaren. Om något spills på skivspelaren ska det omedelbart torkas bort med en mjuk, ren trasa.

## Felsökning

Gå igenom den här listan med möjliga lösningar på fel innan service begärs.

	Problem	Orsak	Lösning
HELA ENHETEN	Strömmen slås inte på	Enheten är inte ansluten till elnätet.	Anslut enheten till strömförsörjningen med AC/DC-adaptorn.
	Inget ljud från högtalarna.	Volymen är inställd på lägsta möjliga. Ingången är inte densamma som källans ingång.	Ställ in volymen. Välj en annan källa.
	Ljudet låter inte bra.	Enheten är placerad för nära en tv eller annan liknande apparat.	Stäng av tv:n eller andra apparater och placera enheten på annan plats.
	Enheten svarar inte eller kan inte återställas.	Yttre faktorer som ESD (elektrostatisk urladdning) påverkar enheten.	Dra ur nätsladden och all strömförsörjningsutrustning och anslut sedan enheten igen efter en minut.
SKIVSPELAREN	Ljudet låter inte bra när skivan spelas upp.	Nålen är inte placerad i mitten.	Byt ut nålen om den inte är placerad i mitten.
	Ljudet låter inte bra efter en tids användning.	Nålen är skadad.	Byt ut nålen mot en ny.
	Skivspelaren fungerar inte.	Skivan passar inte enheten. Kanske är det en 78-varvsskiva.	Välj en skiva som kan spelas upp (33 eller 45 varv/minut).
BLUETOOTH	Det går inte att parkoppla med en Bluetooth-enhet.	(1). Enheten växlar inte till Bluetooth-överföringsläge. (2) Bostadens Bluetooth-förstärkare slås inte på. (3) Din enhet är för långt från apparaten eller så finns det något hinder (t. ex. en vägg) mellan din enhet och apparaten.	(1) Tryck på PAIR-knappen för att kontrollera att enheten är inställd på överföringsläge. (2) Slå på bostadens Bluetooth-förstärkare (3) Flytta Bluetooth-enheten närmare apparaten.
		Bluetooth-parkopplingen lyckas inte.	(1) Stäng av andra Bluetooth-enheter för att säkerställa att Bluetooth-förstärkaren har kopplats bort från dessa. (2) Eller radera ditt Bluetooth-anslutningsnamn på en annan Bluetooth-enhet (som du har anslutit tidigare) i listan över parkopplade enheter. Då säkerställer du att enheten kan söka efter Bluetooth-förstärkaren snabbt och enkelt. (3) Kontrollera om din Bluetooth-enhet använder QQB-certifierad mottagning eller inte.

## **Specifikationer**

### Allmänt

Strömförsörjning.....	AC/DC-adapter
Tillverkare .....	Guangdong Leetac Electronics Technology Co.,Ltd.
Modell .....	GRP12W-120060
Inspänning .....	100–240 V~, 50/60 Hz, 0,4 A
Utmatning.....	12,0 V $\equiv$ 0,6 A; 7,2 W
Genomsnittlig verkningsgrad i aktivt läge ..	82,68 %
Verkningsgrad vid låg belastning (10 %).....	N/A
Effektförbrukning utan belastning.....	0,078 W
Mått (B x H x D).....	440 mm x 137 mm x 383 mm (ca)
Vikt.....	4,458 kg (ca) (exklusive tillbehör)

### **SKIVSPELARE**

Motor.....	DC-servomotor
Drivsystem .....	Remdrift
Varvtal.....	33 1/3 varv, 45 varv
Wow och flutter (svaj) .....	Mindre än 0,25 % (WTD)
S/N-förhållande .....	50 dB
Typ av pickup .....	Pickup med rörlig magnet
Nål.....	AT3600L
RCA UT .....	200–280 mV (5 cm/sek vid 1 kHz–10 dB)
Phono ut .....	3–4 mV (5 cm/sek vid 1 kHz–10 dB)

### **BLUETOOTH-ÖVERFÖRING**

Bluetooth-version .....	Bluetooth V5.3
Bluetooth har stöd för .....	Profilerna A2DP, AVRCP
Frekvensintervall för Bluetooth .....	2,402 GHz–2,480 GHz
Driftavstånd .....	7 meter

## Garanti

Commaxx B.V. erbjuder service och garanti i enlighet med europeisk lagstiftning, vilket innebär att du ska kontakta din lokala återförsäljare om reparation krävs (både under och efter garantins giltighetsperiod).

Viktig information: Det går inte att skicka produkter som behöver repareras direkt till Commaxx B.V.

Viktig information: Om enheten öppnas eller på något sätt tillgängliggörs av ett icke-officiellt servicecenter, upphör garantin att gälla.

Enheten är inte lämplig för professionellt bruk. Vid yrkesmässig användning, upphör tillverkarens samtliga garantier att gälla.

## Friskrivningsklausul

Uppdateringar av inbyggd programvara och/eller hårdvarukomponenter görs regelbundet. Därför kan vissa av anvisningarna, specifikationerna och bilderna i den här dokumentationen skilja sig något från din faktiska situation. Alla delar som beskrivs i denna guide är endast avsedda som illustration och är eventuellt inte tillämpliga i specifika situationer. Inga juridiska rättigheter eller anspråk kan erhållas utifrån beskrivningen i den här bruksanvisningen.

## Kassering av uttjänt enhet



Den här symbolen anger att den aktuella elektriska produkten eller batteriet inte får slängas som vanligt hushållsavfall i Europa. För att garantera att produkten och batteriet avfallshanteras på ett korrekt sätt, ska de kasseras i enlighet med alla tillämpliga lokala lagar och krav för kassering av elektrisk utrustning eller batterier. Därmed bidrar du till att bevara naturresurser och förbättra standarderna för miljöskydd vid hantering och bortskaffande av elektriskt avfall (WEEE-direktivet för hantering av elektriskt och elektroniskt avfall).

## FÖRSÄKRAN OM ÖVERENSSTÄMMELSE

Härmed intygar Commaxx att radioutrustningstypen [Lenco LBT-335/LBT-345] överensstämmer med direktiv 2014/53/EU. Den fullständiga texten gällande EU-försäkran om överensstämmelse finns på följande internetadress:

[https://commaxx-certificates.com/doc/lbta-165\\_doc.pdf](https://commaxx-certificates.com/doc/lbta-165_doc.pdf)

RF-typ	Frekvensintervall (MHz)	Effekt (dBm)
Bluetooth	2 402–2 480	< 6

## Service

För mer information och support via vår helpdesk går du till [www.lenco.com](http://www.lenco.com)

Commaxx B.V. Wiebachstraat 37, 6466 NG, Kerkrade, The Netherlands.

**ATTENZIONE:**

L'utilizzo di controlli o regolazioni o l'esecuzione di procedure diverse da quelle specificate può causare l'esposizione a radiazioni pericolose.

**PRECAUZIONI PRIMA DELL'USO**

---

**CONSERVARE QUESTE ISTRUZIONI:**

1. Non coprire o bloccare le aperture di ventilazione. Quando si posiziona il dispositivo su uno scaffale, lasciare uno spazio libero di 5 cm (2") attorno all'intero perimetro.
2. Installare secondo quanto riportato nel manuale fornito.
3. Tenere il dispositivo lontano da sorgenti di calore come radiatori, termosifoni, stufe, candele e altri prodotti che generano calore o fiamme libere.  
Il dispositivo può essere utilizzato solo in climi miti. Evitare ambienti estremamente freddi o caldi. Temperatura operativa compresa tra 0° e 35 °C.
4. Evitare l'uso del dispositivo in presenza di forti campi magnetici.
5. Le scariche elettrostatiche possono interferire con il normale utilizzo di questo dispositivo. In tal caso, è sufficiente ripristinare e riavviare il dispositivo seguendo il manuale di istruzioni. Durante la trasmissione di file, maneggiarlo con cura e operare in un ambiente privo di elettricità statica.
6. Avviso! Non inserire mai oggetti nel prodotto attraverso le prese d'aria o le aperture. All'interno del prodotto sono presenti tensioni elevate e l'inserimento di un oggetto può provocare scariche elettriche e/o cortocircuiti. Per lo stesso motivo, non versare acqua o liquidi sul prodotto.
7. Non utilizzare in ambienti umidi o bagnati come bagni, cucine con vapore o piscine.
8. Non esporre il dispositivo a schizzi o gocciolamenti di liquidi; non poggiare sopra o accanto al dispositivo oggetti contenenti liquidi, ad esempio vasi.
9. Non utilizzare questo dispositivo in caso di condensa. Quando l'unità viene utilizzata in una stanza calda e umida, al suo interno possono formarsi goccioline d'acqua o condensa e l'unità potrebbe non funzionare correttamente; lasciare l'unità spenta per 1 o 2 ore prima di accenderla in quanto deve essere asciutta prima di collegarla all'alimentazione.
10. Sebbene questo dispositivo sia fabbricato con la massima cura e controllato più volte prima di lasciare la fabbrica, è comunque possibile che si verifichino problemi come per qualsiasi altra apparecchiatura elettrica. Se si nota fumo, eccessivo accumulo di calore o altri fenomeni imprevisti, scollegare immediatamente la spina dalla presa di alimentazione principale.
11. Questo dispositivo deve funzionare con una fonte di alimentazione con i valori indicati sull'etichetta delle specifiche. Se non si è sicuri del tipo di alimentazione utilizzata in casa, consultare il rivenditore o la compagnia elettrica locale.
12. Tenere fuori dalla portata degli animali domestici, Ad alcuni animali piace mordere i cavi di alimentazione.
13. Per pulire il dispositivo, utilizzare un panno morbido e asciutto. Non usare solventi o liquidi a base di benzina.  
Per rimuovere le macchie persistenti, è possibile utilizzare un panno umido con detergente diluito.
14. Il fornitore non è responsabile per danni o perdita di dati causati da malfunzionamento, uso improprio, modifica del dispositivo o sostituzione della batteria.
15. Non interrompere la connessione quando il dispositivo sta formattando o trasferendo file. In caso contrario, i dati potrebbero essere danneggiati o andare persi.
16. Se l'unità dispone della funzione di riproduzione USB, la chiavetta USB deve essere collegata direttamente all'unità. Non utilizzare una prolunga USB perché può causare interferenze con conseguenti perdite di dati.
17. L'etichetta di classificazione è situata sul pannello inferiore o posteriore del dispositivo.

18. Questo dispositivo non è destinato all'uso da parte di persone (compresi i bambini) con disabilità fisiche, sensoriali o mentali, o privi di esperienza e conoscenza, a meno che non siano sotto supervisione o abbiano ricevuto istruzioni circa l'uso corretto del dispositivo da parte di chi è responsabile per la loro sicurezza.
19. Questo prodotto è destinato esclusivamente all'uso non professionale e non commerciale o industriale.
20. Assicurarsi che l'unità sia collocata in una posizione stabile. I danni causati dall'uso di questo prodotto in una posizione instabile, vibrazioni o urti o la mancata osservanza di qualsiasi altro avvertimento o precauzione indicati in questo manuale dell'utente non saranno coperti da garanzia.
21. Non rimuovere mai l'involucro esterno di questo dispositivo.
22. Non posizionare mai questo dispositivo su altre apparecchiature elettriche.
23. Non permettere ai bambini di accedere ai sacchetti di plastica.
24. Utilizzare solo collegamenti/accessori specificati dal produttore.
25. Rivolgersi a personale qualificato per l'assistenza. È necessario ricorrere all'assistenza quando il dispositivo ha subito qualsivoglia tipo di danno, ad esempio al cavo di alimentazione o alla spina, se è stato versato del liquido o sono caduti oggetti al suo interno, oppure se è stato esposto a pioggia o umidità, quando non funziona correttamente o è caduto.
26. L'esposizione prolungata ai suoni ad alto volume dei lettori musicali può causare una perdita temporanea o permanente dell'udito.
27. Se il prodotto viene consegnato con cavo di alimentazione o adattatore di alimentazione CA:
  - In caso di problemi, scollegare il cavo di alimentazione CA e rivolgersi a personale qualificato per l'assistenza.
  - Non calpestare o schiacciare l'alimentatore. Fare molta attenzione, in particolare vicino alle prese e al punto di uscita del cavo. Non posizionare oggetti pesanti sull'alimentatore in quanto potrebbero danneggiarlo. Tenere il dispositivo fuori dalla portata dei bambini. Giocando con il cavo di alimentazione possono infortunarsi seriamente.
  - Scollegare il dispositivo durante i temporali o quando non viene utilizzato per un lungo periodo.
  - La presa di corrente deve essere installata vicino all'apparecchio e deve essere facilmente accessibile.
  - Non sovraccaricare le prese CA, né le prolunghere. Il sovraccarico può causare incendi o scariche elettriche.
  - I dispositivi con struttura di classe 1 devono essere collegati a una presa di rete con connessione di messa a terra di protezione.
  - I dispositivi con struttura di classe 2 non richiedono un collegamento a terra.
  - Afferrare sempre la spina quando la si estrae dalla presa di rete. Non tirare il cavo di alimentazione. Ciò può causare un cortocircuito.
  - Non utilizzare un cavo o una presa di alimentazione danneggiati, o una presa non fissata correttamente. Tale azione potrebbe provocare incendi o scariche elettriche.
28. Se il prodotto contiene o viene consegnato con un telecomando contenente batterie a pulsante/a bottone:

Avvertenza:

  - "Non ingerire la batteria, pericolo di ustioni chimiche" o funzionamento equivalente.
  - [Il telecomando fornito in dotazione con] il presente prodotto contiene una pila a bottone. Se ingerita, la batteria può causare gravi ustioni interne in sole 2 ore e portare alla morte.
  - Tenere le batterie, nuove o usate, fuori dalla portata dei bambini.
  - Se il vano batteria non si chiude completamente, interrompere l'uso del dispositivo e tenerlo fuori della portata dei bambini.
  - Se si teme che le batterie possano essere state inghiottite o essere venute a contatto con qualsiasi parte interna del corpo, contattare immediatamente un medico.

29. Precauzioni sull'uso delle batterie:

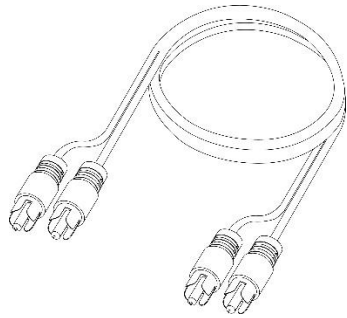
- La batteria può esplodere se non viene sostituita correttamente. Sostituire solo con lo stesso tipo o equivalente.
- Non sottoporre le batterie a temperature estreme alte o basse e a bassa pressione dell'aria ad alta quota durante l'uso, lo stoccaggio o il trasporto.
- La sostituzione con una batteria di tipo errato può provocare un'esplosione o la perdita di liquidi o gas infiammabili.
- Lo smaltimento di una batteria nel fuoco o in un forno caldo, o lo schiacciamento o il taglio meccanico di una batteria possono provocare un'esplosione.
- Lasciare la batteria in un ambiente con una temperatura estremamente elevata può provocare un'esplosione o una perdita di liquidi o gas infiammabili.
- Se la batteria viene esposta a una pressione dell'aria estremamente bassa può provocare un'esplosione o una perdita di liquidi o gas infiammabili.
- È necessario prestare attenzione agli aspetti ambientali legati allo smaltimento delle batterie.

**INSTALLAZIONE**

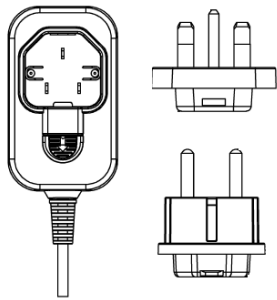
- Disimballare tutte le parti e rimuovere il materiale protettivo.
- Non collegare l'unità alla rete elettrica prima di avere controllato la tensione di rete e prima che siano stati effettuati tutti gli altri collegamenti.

**Contenuto della confezione:**

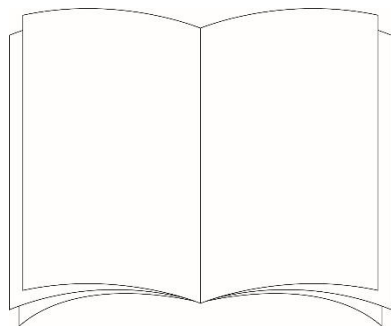
Cavo RCA



Alimentatore

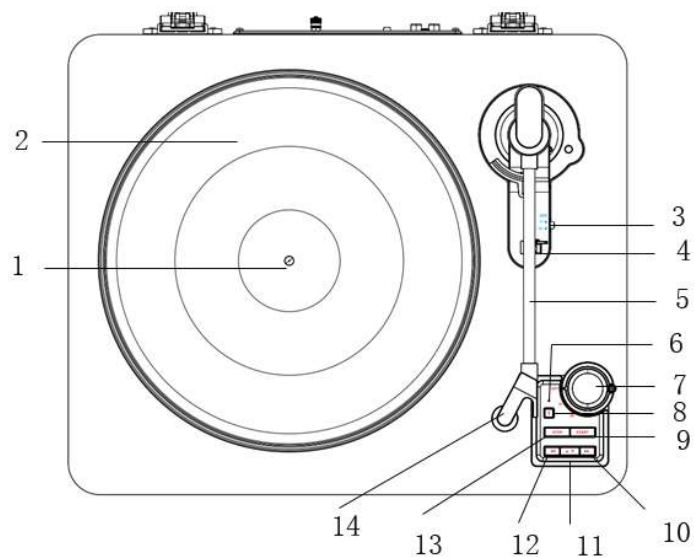


Manuale dell'utente



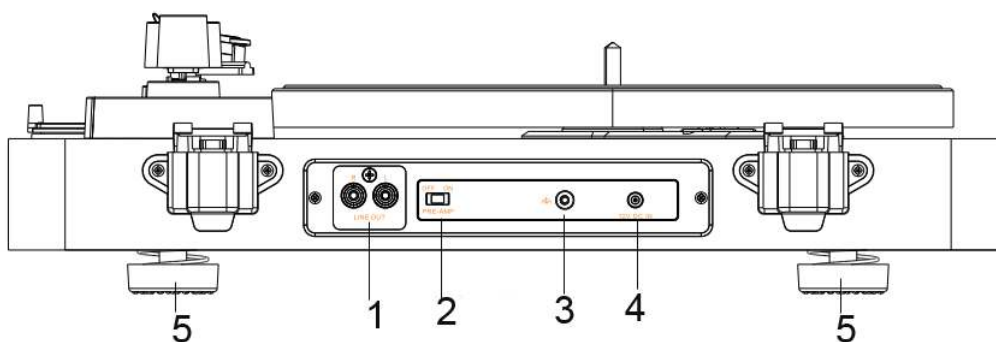
## Panoramica prodotto

### Vista superiore:



- |   |                                       |
|---|---------------------------------------|
| 1. Alberino                             | 8. Pulsante Bluetooth                 |
| 2. Piatto in alluminio                  | 9. Pulsante di avvio                  |
| 3. Selettore formato di registrazione   | 10. Pulsante di avanzamento rapido    |
| 4. Supporto per braccio                 | 11. Pulsante su/giù                   |
| 5. Braccio                              | 12. Pulsante di riavvolgimento rapido |
| 6. Indicatore Bluetooth                 | 13. Pulsante di arresto               |
| 7. Indicatore di selezione potenza/giri | 14. Testina a magnete mobile          |
- (DISATTIVO-33-45)

### Vista posteriore:



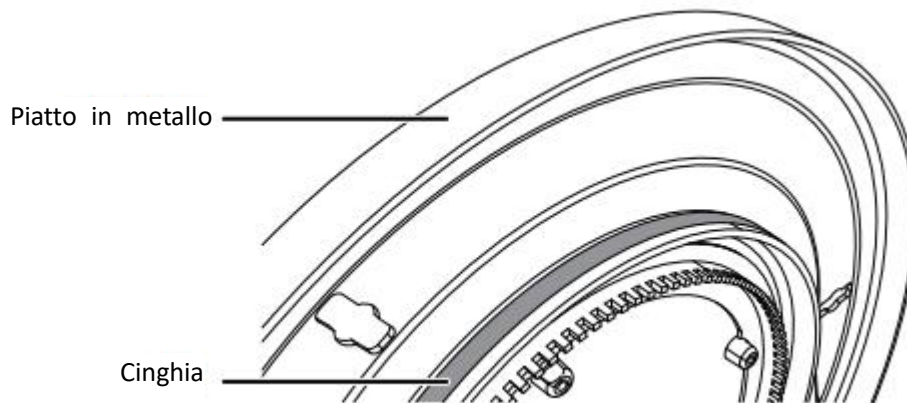
- |   |                        |
|---|------------------------|
| 1. Jack RCA   | 4. Jack di ingresso CC |
| 2. Interruttore di accensione/spegnimento di pre-amplificazione | 5. Sottotelaio         |
| 3. Terminale di messa a terra                                   |                        |

## Configurazione del giradischi

Rimuovere con attenzione il prodotto dalla confezione e rimuovere tutto il materiale d'imballaggio. Verificare che tutti gli accessori siano presenti. Scegliere un luogo piano e sicuro per assemblare il giradischi.

### Installazione del piatto in metallo e del tappetino per giradischi

**Nota:** la cinghia è installata sul fondo del piatto in metallo



1. Assicurarsi che la cinghia non sia attorcigliata, quindi utilizzare il pollice per allungare la cinghia finché non raggiunge il blocco rotondo sul piatto.

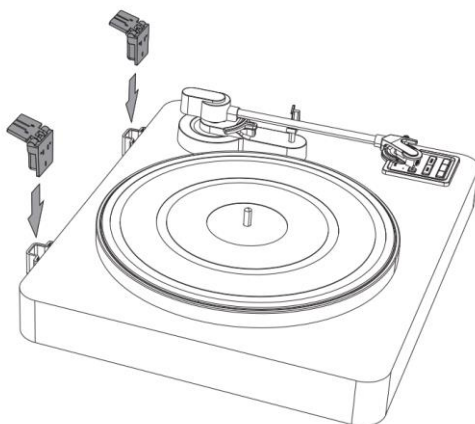
**Nota:** assicurarsi di posizionare la cinghia sul binario metallico e non sulla sezione con i denti.

2. Tenendo ancora in mano la cinghia, capovolgere il piatto e inserirlo nell'alberino al centro del giradischi.
3. Allineare il foro rotondo nel piatto con la puleggia e agganciare la cinghia alla puleggia con il dito.
4. Posizionare il tappetino del giradischi sul piatto.

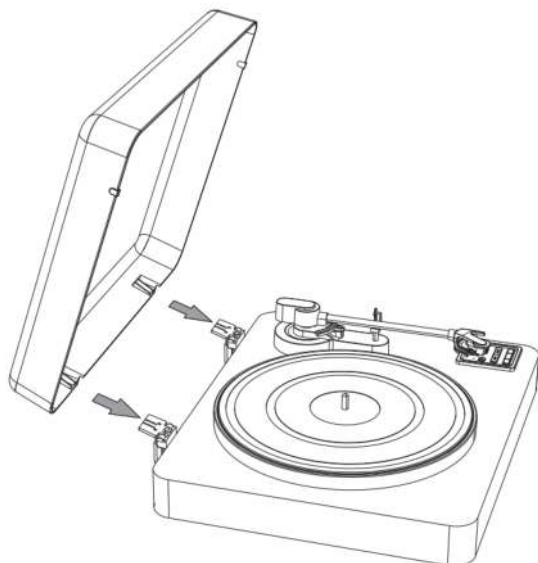
**Nota:** se si deve estrarre il piatto dal giradischi, rimuovere prima il tappetino, quindi afferrare il piatto e tirarlo verso l'alto. Questa operazione è particolarmente importante quando si spedisce il giradischi, per evitare che il piatto si muova.

### Installazione del coperchio antipolvere

1. Inserire le cerniere del coperchio antipolvere nelle apposite basi poste sul pannello posteriore dell'unità.



2. Tenere il coperchio antipolvere e inserirlo nelle cerniere.



### **Accensione del giradischi**

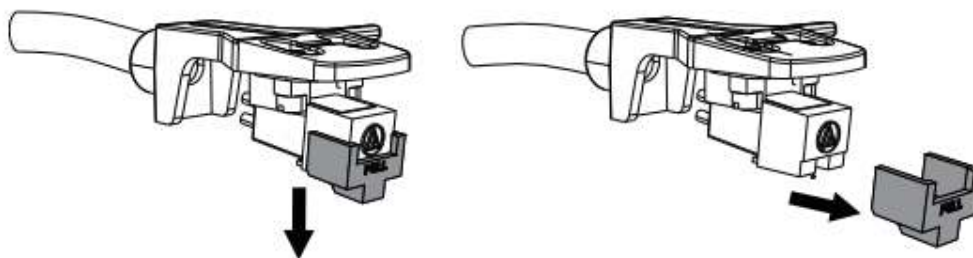
Per alimentare il dispositivo, utilizzare l'adattatore CA/CC in dotazione. Prima di accendere il dispositivo, verificare che quanto riportato sulla targhetta dell'adattatore CA/CC corrisponda alla tensione della rete elettrica. L'adattatore CA/CC ha un ingresso di 100-240 V ~ 50/60 Hz e un'uscita da 12 V  $\text{---}$  0,6 A.

### **Nota:**

- Per scollegare il dispositivo dalla rete elettrica, estrarre la spina di rete dalla presa a muro.
- Se non si effettua alcuna operazione per 15 minuti dopo la fine della riproduzione, l'apparecchio si spegne automaticamente. Per utilizzarlo di nuovo, impostare l'interruttore di selezione potenza/giri in posizione DISATTIVO, quindi selezionare nuovamente 33/45 giri.

### **Rimozione del cappuccio della puntina**

Prima di riprodurre un disco, rimuovere il cappuccio della puntina.



## Utilizzo del giradischi

### Riproduzione di un disco

1. Aprire delicatamente il cappuccio superiore.

Nota: fare attenzione a non schiacciarsi le dita quando si apre o si chiude il cappuccio superiore.

2. Posizionare un disco in vinile sul giradischi.

3. Selezionare la velocità appropriata ruotando l'interruttore di selezione su 33 o 45 giri. Contemporaneamente, selezionare il formato appropriato facendo scorrere il selettore FORMATO su 7' o 12'.

4. Rimuovere il fermo dal braccio per rilasciarlo.

5. Premendo il pulsante di avvio, il braccio si sposterà automaticamente per iniziare a riprodurre il disco.

6. Premere il **pulsante di avanzamento/riavvolgimento rapido** per passare alla traccia successiva. Premere a lungo per saltare ripetutamente le tracce.

7. Premendo il pulsante SU/GIÙ, il braccio si alza o si abbassa. La riproduzione si avvierà o verrà messa in pausa.

8. Alla fine della riproduzione, il disco smette di girare e il braccio torna automaticamente in posizione.

NOTA: quando non è in uso, fissare il blocco del braccio per evitare che si allenti e danneggi la puntina o il giradischi.

### Ascolto della musica tramite gli altoparlanti Bluetooth

1. Spostare l'interruttore di selezione sul tipo di disco in uso, selezionando tra 33 o 45 giri. Selezionare il formato del disco tra 7' o 12'.

2. Attivare la modalità di associazione dell'altoparlante Bluetooth.

NOTA: Assicurarsi che il Bluetooth sia spento su tutti i dispositivi nelle vicinanze che si collegano automaticamente all'altoparlante.

3. Sul giradischi, premere il pulsante Bluetooth per avviare l'associazione, dopodiché l'indicatore Bluetooth lampeggerà in azzurro.

4. Una volta stabilita la connessione, la spia del Bluetooth si accende e rimane accesa.

5. Premendo a lungo il pulsante Bluetooth, l'altoparlante Bluetooth attualmente connesso potrebbe scollegarsi.

Nota: Se l'associazione non riesce, la spia del Bluetooth si accende di rosso. È possibile premere il pulsante Bluetooth per riavviare l'associazione o premere a lungo il pulsante Bluetooth per uscire dalla trasmissione Bluetooth.

### Ascolto tramite i jack RCA

1. Inserire i connettori rosso e bianco del cavo RCA fornito in dotazione nella presa RCA sul retro del giradischi, garantendo la corrispondenza da rosso a rosso e da bianco a bianco.

2. Inserire l'altra estremità del cavo negli altoparlanti, il rosso nell'altoparlante destro e il bianco nell'altoparlante sinistro.

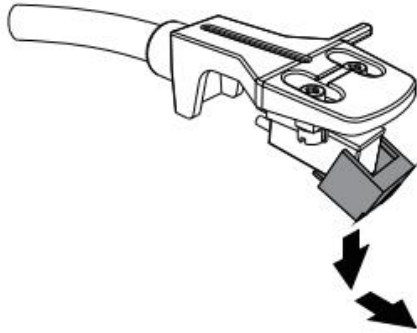
3. Usare l'interruttore di accensione/spegnimento della pre-amplificazione per selezionare la modalità di uscita.

Dispositivo esterno connesso	Posizione dell'interruttore
Dispositivo con ingresso PHONO	DISATTIVO
Dispositivo senza ingresso PHONO	ATTIVO

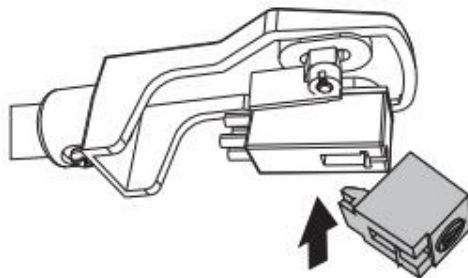
### **Sostituzione della puntina (codice prodotto: Audio-Technica ATN3600L)**

In caso di uso normale, la puntina dovrebbe durare circa 300 ore. Tuttavia, si consiglia di sostituirla non appena si nota un cambiamento nella qualità del suono. L'uso prolungato di una puntina usurata può danneggiare i dischi.

- 1 Per scollegare l'alimentazione, portare l'interruttore di selezione su DISATTIVO.
- 2 Rimuovere la testina tirandola contemporaneamente verso il basso e in avanti.



- 3 Inserire la nuova puntina dall'alto nella fessura situata sotto la testa, quindi spingere verso l'alto finché la punta non si blocca in posizione.



#### **ATTENZIONE:**

- Non rimuovere o piegare la puntina.
- Non toccare l'ago per evitare di ferirsi la mano.
- Tenere lontano dalla portata dei bambini.

#### **Pulizia del giradischi**

- Usare un panno pulito e asciutto.
- Non utilizzare prodotti chimici, detersivi o abrasivi.
- Quando non si utilizza il giradischi, chiudere il coperchio antipolvere per evitare che la polvere o lo sporco si depositino su di esso.

**ATTENZIONE:** non versare liquidi sul giradischi. Potrebbe danneggiarsi. Se si rovescia qualcosa sul giradischi, pulirlo immediatamente con un panno morbido e pulito.

## Risoluzione dei problemi

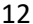
Prima di chiamare l'assistenza, dare un'occhiata a questo elenco per individuare le possibili soluzioni per la risoluzione dei problemi.

	<b>Problema</b>	<b>Causa</b>	<b>Soluzione</b>
<b>L'INTERA UNITÀ</b>	L'alimentazione non si accende	L'unità è scollegata.	Collegare l'unità all'adattatore CA/CC.
	Non viene emesso alcun suono dagli altoparlanti.	Il volume è ridotto al livello MIN; L'ingresso di esercizio non corrisponde all'ingresso della sorgente.	Regolare il volume; Selezionare nuovamente la sorgente.
	Viene emesso un rumore.	L'unità è troppo vicina a un televisore o a un altro apparecchio simile.	Spegnere il televisore o l'altro apparecchio e riposizionare l'unità.
	L'unità non risponde o non è possibile ripristinarla.	Fattori esterni, come le scariche elettrostatiche (ESD), influenzano il funzionamento dell'unità.	Rimuovere il cavo di alimentazione e tutti i dispositivi di alimentazione, quindi ricollegare l'unità dopo un minuto.
<b>LETTORE PHONO</b>	Viene emesso un rumore durante la riproduzione del disco.	La puntina non è posizionata al centro.	Sostituire la puntina e posizionarla al centro.
	Viene emesso un rumore quando si utilizza il giradischi per un certo periodo di tempo.	La puntina è danneggiata.	Sostituirla con una nuova.
	Il lettore Phono non funziona.	Il disco non è adatto all'unità. È possibile scegliere la riproduzione di un disco a 78 giri.	Selezionare un disco appropriato da riprodurre (33 o 45 giri).

Problema		Causa	Soluzione
<b>BLUETOOTH</b>	Impossibile associare un dispositivo Bluetooth.	<p>(1). L'unità non passa alla modalità di trasmissione Bluetooth.</p> <p>(2) Il dispositivo domestico di amplificazione Bluetooth non si accende.</p> <p>(3) Il dispositivo è troppo lontano dall'unità o c'è un ostacolo (<u>ad esempiu</u> un muro) tra il dispositivo e l'unità.</p>	<p>(1) Premere il tasto PARI per assicurarsi che l'unità passi alla modalità di trasmissione.</p> <p>(2) Accendere il dispositivo domestico di amplificazione Bluetooth</p> <p>(3) Avvicinare il dispositivo Bluetooth all'unità.</p>
		<p>L'associazione Bluetooth non è riuscita.</p>	<p>(1) Spegnerne l'altro dispositivo Bluetooth per assicurarsi che il dispositivo di amplificazione Bluetooth si sia scollegato dall'altro dispositivo Bluetooth.</p> <p>(2) Oppure, cancellare il nome della connessione Bluetooth nell'elenco degli altri dispositivi Bluetooth (già collegati in precedenza). Assicurarsi che l'unità esegua una facile e rapida ricerca dell'amplificatore Bluetooth.</p> <p>(3) Controllare se il dispositivo Bluetooth utilizza la ricezione certificata BQB o meno.</p>

## **Specifiche**

### Generale

Alimentazione.....	Adattatore CA/CC
Produttore .....	Guangdong Leetac Electronics Technology Co.,Ltd.
Modello .....	GRP12W-120060
Ingresso .....	100-240 V, 50/60 Hz, 0,4 A
Uscita .....	12 V  0,6 A; 7,2 W
Efficienza media attiva.....	82,68%
Efficienza a basso carico (10%) .....	N/D
Nessun carico Consumo energetico .	0,078 W
Dimensioni (L x A x P) .....	440 mm x 137 mm x 383 mm (circa)
Peso .....	4,458 kg (circa) (accessorio escluso)

### ***LETTORE DI DISCHI***

Motore.....	Servomotore CC
Sistema di azionamento .....	Trasmissione a cinghia
Velocità .....	33 1/3 giri, 45 giri,
Wow & Flutter .....	Meno di 0,25% (WTD)
Rapporto S/N.....	50 dB
Tipo testina .....	Testina a magnete mobile
Stilo.....	AT3600L
USCITA RCA.....	200-280 mV (5 cm/sec a 1 KHz-10 dB)
Uscita Phono.....	3-4 mv (5 cm/sec a 1 KHz-10 dB)

### ***TRASMISSIONE BLUETOOTH***

Versione Bluetooth.....	Bluetooth V5.3
Il Bluetooth supporta.....	profili A2DP, AVRCP
Gamma di frequenza Bluetooth .....	2,402 GHz-2,480 GHz
Distanza operativa .....	7 metri

## Garanzia

Commaxx B.V. offre assistenza post-vendita e una garanzia in conformità con i regolamenti europei. Pertanto, se sono necessarie riparazioni (durante e dopo il periodo di garanzia), rivolgersi al rivenditore locale di fiducia.

Nota importante: non è possibile inviare direttamente a Commaxx B.V. i prodotti da riparare.

Nota importante: Qualora l'unità venga aperta o manomessa in qualsiasi modo da un centro di assistenza non riconosciuto, la garanzia decade.

Questo dispositivo non è adatto per l'uso professionale. Qualora l'unità venga utilizzata per scopi professionali, tutti gli obblighi del produttore derivanti dalla garanzia sono nulli.

## Clausola di esclusione di responsabilità

Il firmware e/o i componenti hardware vengono aggiornati regolarmente. Pertanto, è possibile che alcune parti relative a istruzioni, specifiche e immagini contenute nella presente documentazione siano diverse da quanto riscontrato nel singolo caso. Tutte le descrizioni incluse in questa guida sono fornite a puro titolo illustrativo e non si applicano necessariamente alla specifica situazione. Nessun diritto legale o contrattuale può derivare dalle descrizioni contenute nel presente libretto di istruzioni.

## Smaltimento al termine della vita utile del dispositivo



Questo simbolo indica che in Europa è vietato gettare il relativo prodotto elettrico o batteria tra i rifiuti domestici. Per il corretto smaltimento a fine vita del prodotto e della batteria, attenersi alle vigenti normative locali per il trattamento dei rifiuti da apparecchiature elettriche ed elettroniche e delle batterie. In tal modo si contribuisce a salvaguardare le risorse naturali e a migliorare gli standard per la protezione dell'ambiente nel trattamento dei rifiuti da apparecchiature elettriche ed elettroniche (Direttiva RAEE).

## DICHIARAZIONE DI CONFORMITÀ

Con la presente, Commaxx dichiara che il tipo di apparecchiatura radio [Lenco LBT-335/LBT-345] è conforme alla Direttiva 2014/53/UE. Il testo completo della dichiarazione di conformità UE è disponibile al seguente indirizzo Internet:

[https://commaxx-certificates.com/doc/lbta-165\\_doc.pdf](https://commaxx-certificates.com/doc/lbta-165_doc.pdf)

Tipo di radiofrequenza	Gamma di frequenza (MHz)	Potenza (dBm)
Bluetooth	2402-2480	<6

## Assistenza

Per ulteriori informazioni e accesso all'helpdesk, visitare il sito [www.lenco.com](http://www.lenco.com)

Commaxx B.V. Wiebachstraat 37, 6466 NG, Kerkrade, The Netherlands.

**HUOMIO:**

Muiden kuin tässä oppaassa määritettyjen säätimien tai säätöjen käyttö tai muiden toimenpiteiden suorittaminen voi johtaa vaaralliseen säteilylle altistumiseen.

**VAROTOIMET ENNEN KÄYTTÖÄ**

**PIDÄ NÄMÄ OHJEET MIELESSÄ:**

1. Älä peitä tai tuki mitään tuuletusaukkoja. Kun laitat laitteen hyllylle, jätä 5 cm vapaata tilaa laitteen ympärille.
2. Asenna mukana toimitetun käyttöoppaan mukaisesti.
3. Pidä laite etäällä lämmönlähteistä, kuten pattereista, lämmittimistä, uuneista, kynttilöistä ja muista lämpöä tuottavista tuotteista tai avotulesta. Laitetta voidaan käyttää vain lauhkeassa ilmastossa. Äärimmäisen kylmiä tai lämpimiä ympäristöjä tulee välttää. Käyttölämpötila-alue on 0–35 °C.
4. Vältä laitteen käyttämistä lähellä voimakkaita magneettikenttiä.
5. Sähköstaattinen purkaus voi häiritä laitteen normaalia käyttöä. Jos näin on, nollaa ja käynnistä laite yksinkertaisesti käyttöohjeen mukaisesti. Käsittele tiedostoja lähetyksen aikana varoen ja ympäristössä, jossa ei ole staattista sähköä.
6. Varoitus! Älä koskaan työnnä mitään esinettä tuotteeseen tuuletusaukkojen tai muiden aukkojen kautta. Korkea jännite virtaa tuotteen läpi ja esineen työntäminen sisälle voi aiheuttaa sähköiskun ja/tai oikosulun sisäosista. Samasta syystä älä kaada vettä tai nestettä tuotteen päälle.
7. Älä käytä märissä tai kosteissa tiloissa, kuten kylpyhuoneissa, höyryisissä keittiössä tai uima-altaiden lähellä.
8. Laitetta ei saa altistaa pisaroille tai roiskeille. Nesteitä sisältäviä esineitä, kuten maljakkoja, ei saa asettaa laitteen päälle tai sen lähelle.
9. Älä käytä tätä laitetta, jos kosteuden tiivistymistä voi tapahtua. Jos laitetta käytetään lämpimässä, kosteassa tilassa, vesipisaroita tai kondensaatiota voi esiintyä laitteen sisällä, eikä laite ehkä toimi oikein. Kytke laite pois päältä 1–2 tunniksi ennen kuin kytket virran uudelleen päälle: laitteen pitää olla kuiva ennen virran kytkemistä.
10. Vaikka tämä laite on valmistettu erittäin huolellisesti ja tarkistettu useita kertoja ennen tehtaalta toimittamista, on silti mahdollista, että ongelmia voi esiintyä, kuten kaikissa sähkölaitteissa. Jos huomaat savua, liiallista lämmön kertymistä tai muita odottamattomia ilmiöitä, irrota pistoke välittömästi pistorasiasta.
11. Tätä laitetta on käytettävä virtalähteellä, joka vastaa teknisiä tietoja. Jos et ole varma kodissasi käytettävästä virtalähteestä, ota yhteys jälleenmyyjään tai paikalliseen sähköyhtiöön.
12. Suojaa eläimiltä. Eläimet voivat pureskella virtajohtoja.
13. Käytä laitteen puhdistamiseen pehmeää, kuivaa liinaa. Älä käytä liuottimia tai bensiinipohjaisia tuotteita. Voimakkaiden tahrojen poistamiseksi voit käyttää laimeaan pesuaineeseen kostutettua liinaa.
14. Toimittaja ei ole vastuussa vahingoista tai kadonneista tiedoista, jotka johtuvat toimintahäiriöistä, väärinkäytöstä, laitteen muutoksista tai paristojen vaihdosta.
15. Älä katkaise yhteyttä, kun laite alustaa tai siirtää tiedostoja. Muussa tapauksessa tiedot voivat vioittua tai kadota.
16. Jos laitteessa on USB-toistotoiminto, USB-muistitikku on kytkettävä suoraan laitteeseen. Älä käytä USB-jatkojohtoa, koska se voi aiheuttaa häiriöitä ja johtaa tietojen menettämiseen.
17. Arvokilpi on merkitty laitteen pohjaan tai takapaneeliin.
18. Tätä laitetta ei ole tarkoitettu sellaisten henkilöiden (mukaan lukien lapset) käyttöön, joilla on fyysisiä, aistinvaraisia tai henkisiä häiriöitä tai joilla ei ole kokemusta tai tietoa, jollei heidän turvallisuudestaan vastaava henkilö valvo heitä tai ole antanut heille ohjeita laitteen käytöstä.
19. Tämä tuote on tarkoitettu yksityiskäyttöön, ei kaupalliseen tai teolliseen käyttöön.

20. Varmista, että yksikkö on säädetty vakaaseen asentoon. Takuu ei kata vahinkoja, jotka aiheutuvat tuotteen käytöstä epävakaassa asennossa, tärinästä tai iskuista tai tässä käyttöoppaassa olevien varoitusten tai varotoimien noudattamatta jättämisestä.
21. Älä koskaan poista laitteen koteloa.
22. Älä koskaan aseta laitetta muiden sähkölaitteiden päälle.
23. Pidä muovipussit poissa lasten ulottuvilta.
24. Käytä vain valmistajan määrittelemiä lisäosia/lisävarusteita.
25. Jätä huolto pätevän huoltohenkilön suoritettavaksi. Huoltoa tarvitaan, kun laite on jotenkin vaurioitunut, esimerkiksi virtajohto tai pistoke on vaurioitunut, nestettä on roiskunut tai esineitä on pudonnut laitteeseen, laite on altistunut sateelle tai kosteudelle, se ei toimi normaalisti tai se on pudonnut.
26. Pitkäaikainen altistuminen musiikkisoittimien voimakkailla äänillä voi johtaa tilapäiseen tai pysyvään kuulonmenetykseen.
27. Jos tuotteen mukana tulee virtajohto ja vaihtovirtaverkkolaite:
  - Jos ilmenee ongelmia, irrota verkkovirtajohto ja anna huoltotoimenpiteet ammattitaitoisen henkilöstön tehtäväksi.
  - Älä astu verkkolaitteen päälle tai purista sitä. Ole erittäin varovainen, erityisesti pistokkeiden ja kaapelin ulostulokohdan lähellä. Älä laita raskaita esineitä verkkolaitteen päälle, ne voivat vaurioittaa sitä. Pidä laite kokonaisuudessaan poissa lasten ulottuvilta! Virtajohdolla leikkiessään he voivat loukkaantua vakavasti.
  - Irrota laitteen virtajohto ukkosmyrskyn aikana tai kun sitä ei käytetä pitkään aikaan.
  - Pistorasian tulee sijaita lähellä laitetta ja siihen tulee päästä helposti käsiksi.
  - Älä ylikuormita pistorasioita tai jatkojohtoja. Ylikuormitus saattaa aiheuttaa tulipalon tai sähköiskun.
  - Luokan 1 mukaiset laitteet on kytkettävä suojamaadoitettuun liitäntään.
  - Luokan 2 mukaiset laitteet eivät vaadi maadoitettua liitäntää.
  - Pidä aina kiinni pistokkeesta, kun vedät sen irti pistorasiasta. Älä vedä virtajohdosta. Se voi aiheuttaa oikosulun.
  - Älä käytä vaurioitunutta virtajohtoa tai pistoketta tai löysää pistorasiaa. Ne saattavat aiheuttaa sähköiskun.
28. Jos tuote tai sen mukana tuleva kaukosäädin sisältää nappiparistoja:

Varoitus:

  - ”Älä niele paristoja tai akkuja. Kemiallisen palovamman vaara” tai vastaava.
  - [Mukana toimitettu kauko-ohjain] Tämä tuote sisältää nappipariston. Jos nappiparisto niellään, se voi aiheuttaa vakavia sisäisiä palovammoja jo kahdessa tunnissa, ja voi johtaa kuolemaan.
  - Pidä sekä uudet että käytetyt paristot ja akut poissa lasten ulottuvilta.
  - Jos paristolokero ei sulkeudu kunnolla, lopeta tuotteen käyttö ja pidä tuote poissa lasten ulottuvilta.
  - Jos epäilet, että paristoja tai akkuja on nieltä tai työnnetty johonkin kehon aukkoon, hakeudu välittömästi lääkäriin.
29. Huomio paristojen tai akkujen käytöstä:
  - Räjähdyksivaara, jos paristo tai akku asetetaan väärin. Vaihda vain samanlaiseen tai vastaavan tyyppiseen.
  - Paristoa tai akkua ei saa altistaa äärimmäisen korkeille tai matalille lämpötiloille tai matalalle ilmanpaineelle suurissa korkeuksissa käytön, varastoinnin tai kuljetuksen aikana.
  - Pariston tai akun vaihtaminen väärän tyyppiseen voi johtaa räjähdykseen tai tulenaran nesteen tai kaasun vuotamiseen.
  - Paristojen tai akkujen hävittäminen tuleen tai kuumaan uuniin tai paristojen tai akkujen mekaaninen murskaaminen tai leikkaaminen voi johtaa räjähdykseen.
  - Paristojen tai akkujen jättäminen erittäin kuumaan ympäristöön voi johtaa räjähdykseen tai tulenaran nesteen tai kaasun vuotamiseen.
  - Paristojen tai akkujen altistaminen erittäin matalalle ilmanpaineelle voi johtaa räjähdykseen tai tulenaran nesteen tai kaasun vuotamiseen.

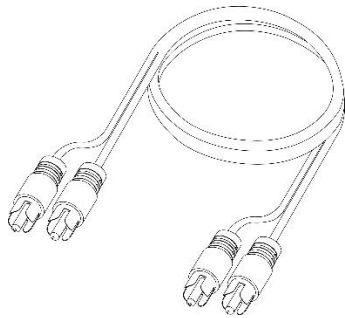
- Ympäristönsuojeluun liittyvät asiat on huomioitava paristojen ja akkujen hävittämisessä.

#### **ASENTAMINEN**

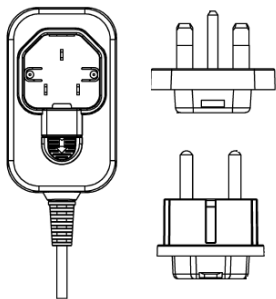
- Pura kaikki osat pakkauksesta ja poista suojamateriaalit.
- Älä yhdistä laitetta sähkövirtaan ennen kuin tarkistat jännitteen ja ennen kuin kaikki liitännät on tehty.

#### **Pakkaukseen sisältyy:**

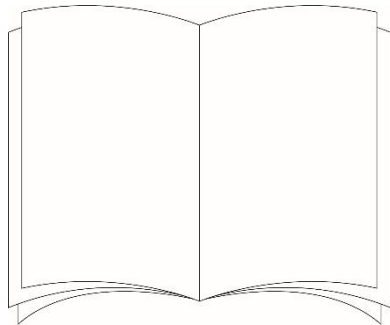
RCA-kaapeli



Verkkolaite

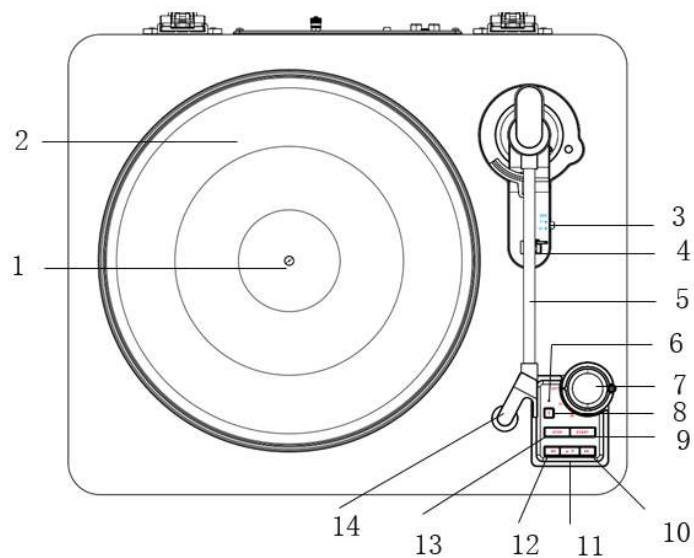


Käyttöohje



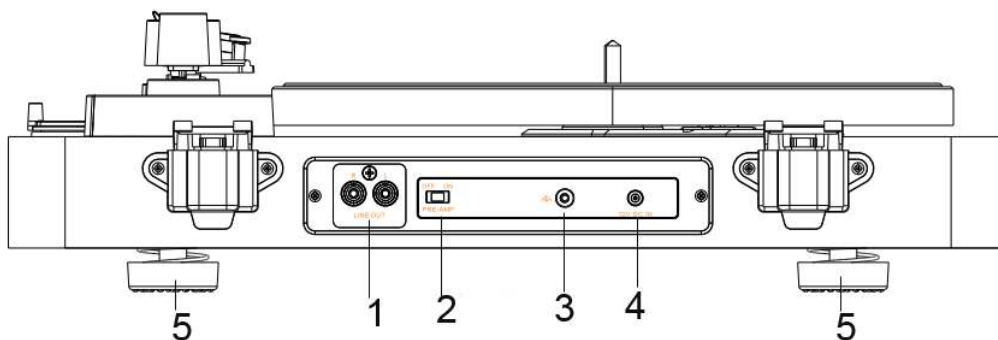
## Tuotteen yleiskuvaus

Ylhäältä katsottuna:



- |   |                                    |
|---|------------------------------------|
| 1. Keskitappi                           | 8. Bluetooth-painike               |
| 2. Alumiininen levylautanen             | 9. Käynnistyspainike               |
| 3. Levyn koon valintakytkin             | 10. Pikakelaus eteenpäin -painike  |
| 4. Äänivarren pidike                    | 11. Ylös/alas-painike              |
| 5. Äänivarsi                            | 12. Pikakelaus taaksepäin -painike |
| 6. Bluetooth-merkkivalo                 | 13. Pysäytyspainike                |
| 7. Virta/pyörimisnopeuden valintakytkin | 14. Liikkuvamagneettinen äänirasia |
- (POIS PÄÄLTÄ-33-45)

Takanäkymä:



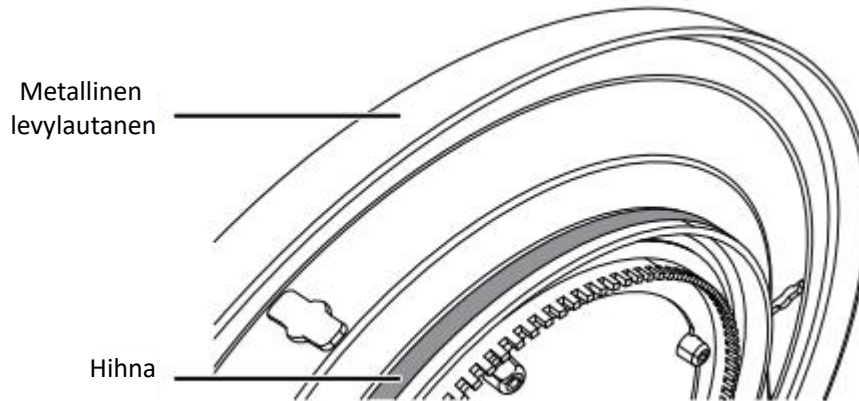
- |  |                 |
|--|-----------------|
| 1. RCA-liitin                                  | 4. DC IN-liitin |
| 2. Esivahvistimen POIS<br>PÄÄLTÄ/PÄÄLLÄ-kytkin | 5. Alustan alla |
| 3. Maadoitusliitin                             |                 |

## Levysoittimen käyttöönotto

Poista tuote varovasti pakkauskotelosta ja pura kaikki pakkausmateriaalit. Tarkista, että kaikki lisävarusteet ovat täydellisiä. Valitse sitten tasainen ja turvallinen paikka levysoittimen kokoamista varten.

### Metallilautasen ja levysoittimen maton asentaminen

**Huomaa:** Hihna on esiasennettu metallilautasen pohjaan



1. Varmista, ettei hihna ole vääntynyt, ja venytä hihnaa peukalolla, kunnes se saavuttaa pyöreän pitimen lautasessa.

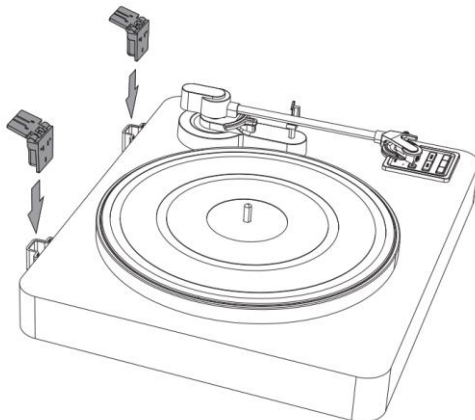
**Huomaa:** Varmista, että asetat hihnan metalliselle kiskolle etkä hammastetulle osalle.

2. Pidä hihnasta kiinni, käännä levylautanen ympäri ja aseta se sitten levysoittimen keskellä olevaan tappiin.
3. Kohdista levylautasen pyöreä reikä hihnapyörään ja kiinnitä hihna hihnapyörään sormella.
4. Aseta levysoittimen matto levylautasen päälle.

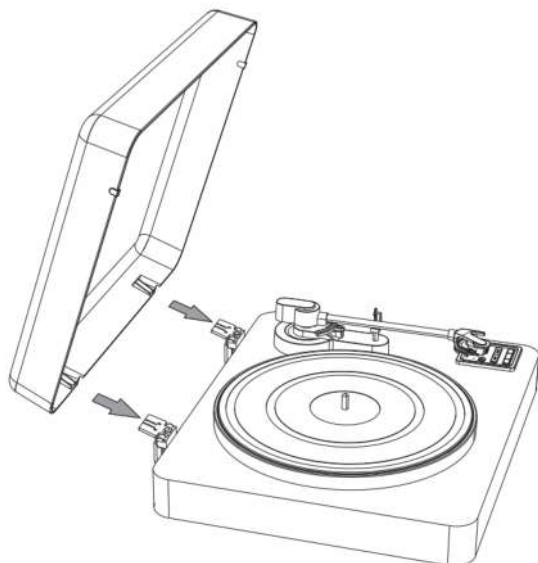
**Huomaa:** Kun haluat irrottaa levylautasen levysoittimesta, irrota ensin matto, tartu sitten levyyn ja vedä sitä ylöspäin. Tämä on erityisen tärkeää, jos kuljetat levysoitinta, jotta levylautanen ei tärise.

### Pölysuojan asentaminen

1. Aseta pölysuojan saranat laitteen takapaneelissa oleviin saranapohjiin.

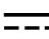


2. Pidä pölysuojuksesta kiinni ja aseta se saranoihin.



### **Levysoittimen virransyöttö**

Voit syöttää laitteeseen virtaa mukana toimitetulla AC/DC-verkkolaitteella. Tarkista AC/DC-verkkolaitteen arvokilvestä verkkovirran jännite ennen laitteen kytkemistä päälle.

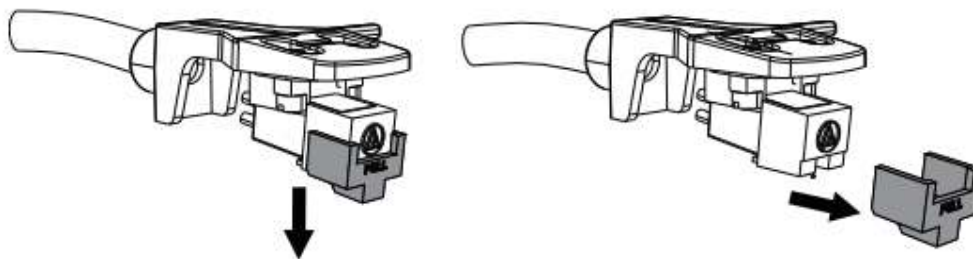
AC/DC-verkkolaitteessa on 100–240 V~50/60 Hz syöttö, 12 V  0,6 A lähtö.

### **Huomaa:**

- Jos haluat irrottaa laitteen sähköverkosta, vedä verkkopistoke ulos pistorasiasta.
- Jos laitetta ei käytetä 15 minuuttiin toiston päättymisen jälkeen, se sammuu automaattisesti. Jos haluat käyttää sitä uudelleen, aseta Virta/pyörimisnopeuden valintakytkin POIS PÄÄLTÄ-asentoon ja valitse sitten 33/45 RPM uudelleen.

### **Poista neulan suojus**

Irrota neulan suojus ennen levyn soittamista.



## **Levysoittimen käyttö**

### **Levyn soittaminen**

1. Avaa varovasti yläkanssi.

Huomaa: Varo, ettei sormesi jää puristuksiin, kun avaat tai suljet yläkannen.

2. Aseta vinylilevy levysoittimeen.

3. Valitse sopiva nopeus kääntämällä Pyörimisnopeuden valintakytkin asentoon 33 tai 45. Samalla sinun on valittava sopiva koko liu'uttamalla SIZE-valintakytkintä kohtaan 7' tai 12'.
4. Irrota äänivarren pidikkeessä oleva klipsi äänivarren vapauttamiseksi.
5. Paina START-painiketta, jolloin äänivarsi siirtyy automaattisesti levyn kohdalle ja aloittaa levyn toistamisen.
6. Voit hypätä kappaleen välillä painamalla **painiketta Pikakelaus eteenpäin/ Pikakelaus taaksepäin** . Pitkä painallus siirtyy jatkuvasti kappaleen yli.
7. Paina YLÖS/ALAS-painiketta, jolloin äänivarsi nousee tai laskee. Toisto alkaa tai keskeytyy.
8. Kun levyn toisto on päättynyt, levyn pyöriminen pysähtyy, ja äänivarsi palaa automaattisesti äänivarren paikkaan.

HUOMAA: Kun soitin ei ole käytössä, kiinnitä varren lukitus, jotta varsi ei löystyisi ja vahingoittaisi neulaa tai levysoitinta.

#### **Musiikin kuuntelu Bluetooth-kaiuttimilla**

1. Käännä kytkin levyn tyypille 33 tai 45. Valitse levyn koko 7' tai 12'
2. Laita Bluetooth-kaiutin pariliitostilaan.

HUOMAA: Varmista, että Bluetooth on pois päältä kaikista lähistöllä olevista laitteista, jotka muodostavat automaattisesti yhteyden kaiuttimeen.

3. Paina levysoittimessa Bluetooth-painiketta pariliitoksen muodostamiseksi, Bluetooth-merkkivalo vilkkuu sinisenä.
4. Kun yhteyden muodostaminen onnistuu, Bluetooth-merkkivalo palaa kiinteästi.
5. Bluetooth-painikkeen pitkä painallus voi katkaista parhaillaan liitettyinä olevan Bluetooth-kaiuttimen yhteyden.

Huomaa: Jos pariliitos epäonnistuu, Bluetooth-merkkivalo palaa punaisena. Voit aloittaa pariliitoksen uudelleen painamalla Bluetooth-painiketta tai lopettaa Bluetooth-lähetyksen painamalla pitkään Bluetooth-painiketta.

#### **Kuuntelu RCA-liittimien kautta**

1. Kytke mukana toimitetun RCA-kaapelin punainen ja valkoinen liitin levysoittimesi takana oleviin RCA-liittimiin, punainen punaiseen ja valkoinen valkoiseen.
2. Kytke kaapelin toinen pää kaiuttimiin, punainen oikeaan kaiuttimeen ja valkoinen vasempaan kaiuttimeen.
3. Käännä ESIVAHVISTIN PÄÄLLÄ/POIS PÄÄLTÄ-kytkintä valitaksesi lähdetilan.

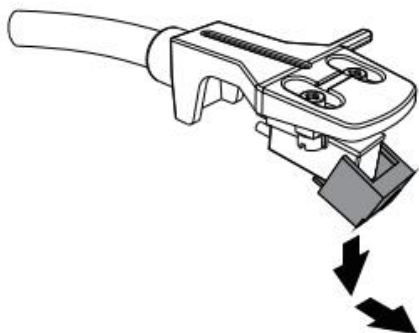
Liitetty ulkoinen laite	Kytkimen asento
Laite, jossa on PHONO-tulo	POIS PÄÄLTÄ
Laite ilman PHONO-tuloa	PÄÄLLÄ

#### **Neulan vaihtaminen (osnumero: Audio-Technica ATN3600L)**

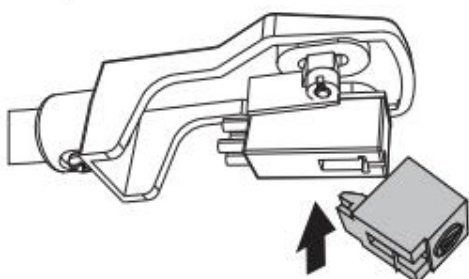
Neulan pitäisi kestää noin 300 tuntia normaalissa käytössä. Suosittelemme kuitenkin, että vaihdat neulan heti, kun huomaat äänenlaadun muuttuneen. Kuluneen neulan pitkäaikainen käyttö voi vahingoittaa levyjä.

- 1 Käännä kierrosluvun valintakytkin OFF-asentoon virran katkaisemiseksi.  
Käännä kierrosluvun valintakytkin POIS PÄÄLTÄ-asentoon virran katkaisemiseksi.

- 2 Irrota neula vetämällä sitä samanaikaisesti alaspäin ja eteenpäin.



- 3 Työnnä uusi neula ylöspäin pään alla olevaan aukkoon ja työnnä sitten ylöspäin, kunnes kärki lukittuu paikalleen.



**HUOMAUTUKSET:**

- Älä poista tai taivuta neulaa.
- Älä koske neulaan, jotta vältät käsivammat.
- Säilytettävä lasten ulottumattomissa.

**Levysoittimen puhdistaminen**

- Käytä vain puhdasta, kuivaa liinaa.
- Älä koskaan käytä kemikaaleja, pesuaineita tai hankaavia aineita.
- Kun et käytä levysoitinta, sulje pölysuojus, jotta pölyä tai muuta likaa ei pääse levysoittimeen.

HUOMIO: Älä kaada nestettä levysoittimen päälle. Tämä vahingoittaa levysoitintasi. Jos levysoittimelle sattuu valumaan jotain, pyyhi se välittömästi puhtaaksi pehmeällä, puhtaalla liinalla.

## Vianmääritys

Tarkista tästä luettelosta mahdolliset vianmääritysratkaisut, ennen kuin soitat huoltoon.

	Ongelma	Syy	Ratkaisu
KOKO YKSIKKÖ	Virta ei kytkeydy päälle	Laite on irrotettu pistorasiasta.	Kytke laite AC/DC-verkkolaitteeseen.
	Kaiuttimista ei kuulu ääntä.	Äänenvoimakkuus on laskettu MIN-tasolle; Käyttötulo ei vastaa lähdetuloa.	Säädä äänenvoimakkuutta; Valitse lähde uudelleen.
	Ääni on meluisa.	Laite on liian lähellä televisiota tai muuta vastaavaa laitetta.	Sammuta televisio tai muu laite ja siirrä laite takaisin paikalleen.
	Laite ei vastaa tai sitä ei pystytä nollaamaan.	Ulkoiset tekijät, kuten ESD (sähköstaattinen purkaus), vaikuttavat laitteeseen.	Irrota virtajohto ja kaikki virtalähteet ja kytke laite päälle uudelleen yhden minuutin kuluttua.
LEVYSOITIN	Ääni on meluisa levyä soittaessa.	Neulaa ei ole sijoitettu keskelle.	Vaihda neula, joka on sijoitettu keskelle.
	Ääni on meluisa, kun sitä käytetään jonkin aikaa.	Neula on vahingoittunut.	Vaihda uusi neula.
	Levysoitin ei toimi.	Levy ei sovi laitteeseen. Voit valita toistettavaksi 78 rpm-levyn.	Valitse yksi sopiva levy toistettavaksi (33 tai 45 RPM)
BLUETOOTH	Pariliitoksen muodostaminen Bluetooth-laitteen kanssa ei onnistu.	(1) Laitetta ei ole kytketty Bluetooth-lähetystilaan. (2) Kotisi Bluetooth-vahvistinlaite ei kytkeydy päälle. (3) Laitteesi on liian kaukana yksiköstä tai laitteen ja yksikön välissä on jokin este ( <u>esim.</u> seinä).	(1) Paina PARI-painiketta varmistaaksesi, että laite on kytketty lähetystilaan. (2) Kytke kotisi Bluetooth-vahvistinlaite päälle (3) Siirrä Bluetooth-laite lähemmäs laitetta.
		Bluetooth-pariliitettä ei onnistunut.	(1) Kytke toinen Bluetooth-laite pois päältä varmistaaksesi, että Bluetooth-vahvistinlaitteesi on irrotettu toisesta Bluetooth-laitteesta. (2) Tai poista Bluetooth-yhteyden nimi muiden Bluetooth-laitteiden (jotka on yhdistetty aiemmin) pariliitettyjen laitteiden luettelosta. Se varmistaa, että laite voi etsiä Bluetooth-vahvistimen helposti ja nopeasti. (3) Tarkista, käyttääkö Bluetooth-laite BQB-sertifioitua vastaanottoa.

## **Tekniset tiedot**

### Yleistä

Virtalähde .....	AC/DC-verkkolaite
Valmistaja.....	Guangdong Leetac Electronics Technology Co.,Ltd.
Malli .....	GRP12W-120060
Ottovirta.....	100–240 V~, 50/60 Hz, 0,4 A
Lähtö .....	12,0 V $\equiv$ 0,6 A; 7,2 W
Aktiivitalan keskimääräinen hyötysuhde.....	82,68 %
Hyötysuhde alhaisella kuormituksella (10 %) ..	ei sovelleta
Kuormittamattoman tilan tehonkulutus .....	0,078 W
Mitat (L x K x S).....	440 mm x 137 mm x 383 mm (noin)
Paino .....	4,458 kg (noin)(ei sisällä lisävarusteita)

### **LEVYSOITIN**

Moottori.....	DC-servomoottori
Vetojärjestelmä.....	Hihnaveto
Nopeudet .....	33-1/3 rpm, 45 rpm,
Huojunta-väriinä.....	Alle 0,25 % (WTD)
S/N-suhde .....	50 dB
Äänirasian tyyppi .....	Liikkuvamagneettinen äänirasia
Neula.....	AT3600L
RCA LÄHTÖ.....	200–280 mV (5 cm/s 1 KHz-10 dB)
Phono-lähtö .....	3–4 mv (5 cm/s 1 KHz-10 dB)

### **BLUETOOTH-LÄHETYS**

Bluetooth-versio .....	Bluetooth V5.3
Bluetooth tukee .....	A2DP- ja AVRCP-profiilit
Bluetooth-taajuusalue .....	2,402–2,480 GHz
Toimintaetäisyys .....	7 metriä

## Takuu

Commaxx B.V. tarjoaa huoltoa ja takuuta EU-lainsäädännön mukaisesti, mikä tarkoittaa sitä, että korjausasioissa (sekä takuuaikana että sen jälkeen) sinun tulee ottaa yhteyttä paikalliseen jälleenmyyjään.

Tärkeä huomautus: Korjausta vaativia tuotteita ei voi lähettää suoraan Commaxx B.V.:lle.

Tärkeä huomautus: Takuu raukeaa, jos jokin valtuuttamaton huoltoliike avaa tämän laitteen tai tekee sille toimenpiteitä.

Laitte ei sovellu ammattikäyttöön. Kaikki valmistajan antamat takuut evätään, jos laitetta käytetään ammattikäytössä.

## Vastuuvapauslauseke

Laitteohjelmiston ja/tai laitteistokomponenttien päivityksiä tehdään säännöllisesti. Tästä syystä jotkin tämän oppaan ohjeista, teknisistä tiedoista ja kuvista eivät ehkä vastaa täysin omaa tilannettasi. Kaikki tämän oppaan kuvat ovat vain viitteellisiä, eivätkä ne välttämättä vastaa todellista tilannetta. Tämän käyttöoppaan kuvaukset eivät oikeuta laillisiin oikeuksiin tai vaateisiin.

## Vanhan laitteen hävittäminen



Tämä symboli ilmaisee, että kyseistä sähkötuotetta, paristoa tai akkua ei saa hävittää muun kotitalousjätteen seassa Euroopan alueella. Varmistaaksesi tuotteen, pariston ja akun oikean jätteenkäsittelyn, hävitä ne sähkölaitteiden tai paristojen ja akkujen hävittämistä koskevien paikallisten lakien mukaisesti. Näin autat säästämään luonnonvaroja ja parantamaan ympäristönsuojelun tasoa sähköjätteiden käsittelyssä ja hävittämisessä (sähkö- ja elektroniikkalaiteromudirektiivi).

## VAATIMUSTENMUKAISUUSVAKUUTUS

Commaxx ilmoittaa täten, että radiolaitetyyppi [Lenco LBT-335/LBT-345] noudattaa direktiiviä 2014/53/EU. EU:n vaatimustenmukaisuusilmoituksen koko teksti on luettavissa seuraavassa internet-osoitteessa:

[https://commaxx-certificates.com/doc/lbta-165\\_doc.pdf](https://commaxx-certificates.com/doc/lbta-165_doc.pdf)

RF-tyyppi	Taajuusalue (MHz)	Teho (dBm)
Bluetooth	2402–2480	<6

## Huolto

Lisätietoa ja tukea saat osoitteesta [www.lenco.com](http://www.lenco.com)

Commaxx B.V. Wiebachstraat 37, 6466 NG, Kerkrade, The Netherlands.