



Installation Guide

Quality, Design and Innovation



home.liebherr.com/fridge-manuals





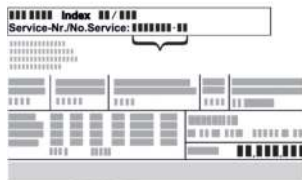

LIEBHERR




General safety instructions

Contents

1	General safety instructions.....	2
2	Installation dimensions.....	3
3	Ventilation requirements.....	3
4	Water connection*.....	3
4.1	Dimensions for the water connection.....	3
4.2	Water pressure.....	3
5	Transporting the appliance.....	4
6	Unpacking the appliance.....	4
7	Disposal of packaging.....	4
8	Reversing the door.....	4
8.1	Taking off the soft stop mechanism.....	4
8.2	Removing the door.....	5
8.3	Moving the upper bearing parts to the other side.	6
8.4	Moving the lower bearing parts to the other side..	7
8.5	Moving the handles to the other side*.....	8
8.6	Fitting the door.....	9
8.7	Aligning the door.....	9
8.8	Fitting the soft stop mechanism.....	9
9	Connecting the appliance to the water supply*..	10
9.1	Connecting the hose.....	10
9.2	Check the water system.....	11
10	Water tank*.....	11
10.1	Inserting the water tank.....	11
11	Water filter*.....	11
11.1	Installing the water filter.....	12

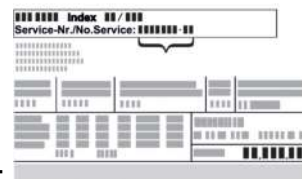
The manufacturer is constantly working to improve all types and models. Therefore, please be aware that we reserve the right to make changes to the shape, equipment and technology.

Symbol	Explanation
	Read instructions Please read the information in these instructions carefully to understand all of the benefits of your new appliance.
	Full instructions on the internet You can find detailed instructions on the internet using the QR code on the front of these instruction or by entering the service number at home.liebherr.com/fridge-manuals . The service number can be found on the serial tag:  <i>Fig. Example illustration</i>
	Check appliance Check all parts for transport damage. If you have any complaints, please contact your agent or customer service.

Symbol	Explanation
	Differences These instructions apply to a range of models, so there may be differences. Sections that apply to certain models only are indicated by an asterisk (*).
	Instructions and results Instructions are marked with a ▶. Results are marked with a ▷.
	Videos Videos about the appliances are available on the YouTube channel of Liebherr-Hausgeräte.



1 General safety instructions


- Please keep this assembly manual in a safe place so you can refer back to it at any time.
- If you pass the appliance on, please hand this assembly manual to the new owner.
- Read this assembly manual before installation and use in order to use the appliance safely and correctly. Follow the instructions, safety instructions and warning messages included at all times. They are important for ensuring you can operate and install the appliance safely and without any problems.
- First read the general safety instructions in the “General safety instructions” section of the **operating instructions**, which accompany these installation instructions, and follow them. If you cannot find the **operating instructions**, you can download the **operating instructions** from the internet by entering the service number at home.liebherr.com/fridge-manuals. The service number can be found on the serial



tag:

- **Observe the warning messages and other detailed information in the other sections when installing the appliance:**

	DANGER	indicates a hazardous situation, which if not avoided, will result in death or serious injury.
	WARNING	indicates a hazardous situation, which if not avoided, could result in death or serious injury.

	CAUTION	indicates a hazardous situation, which if not avoided, will result in minor or moderate injury.
	NOTICE	indicates a hazardous situation, which if not avoided, could result in damage to property.
	Note	indicates useful advice and tips.

2 Installation dimensions

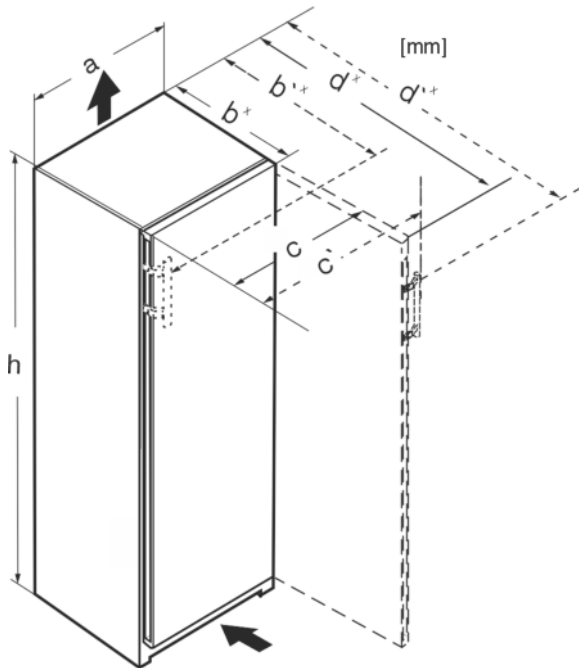


Fig. 1

	h	a	b	b'	c	c'	d	d'
RB.. 4250	1255	597	675 ^x	719 ^x	609	654	1215 ^x	1222 ^x
R.. 5250	1855	597	675 ^x	719 ^x	609	654	1215 ^x	1222 ^x
SR(B).. 525..(i)	1855	597	675 ^x	719 ^x	609	654	1215 ^x	1222 ^x
RB.. 528..(i)	1855	597	675 ^x	–	609	–	1217 ^x	–
SRB.. 528..(i)	1855	597	675 ^x	–	609	–	1217 ^x	–
SRB.. 529i	1855	597	675 ^x	719 ^x	609	654	1215 ^x	1222 ^x
SRB.. 526..(i)	1855	597	675 ^x	719 ^x	609	654	1215 ^x	1222 ^x

^x For appliances with supplied wall spacers, the dimensions must be increased by 15 mm .

3 Ventilation requirements

NOTICE

Risk of damage due to overheating in the case of insufficient ventilation!
In the case of insufficient ventilation, the compressor can be damaged.

- ▶ Make sure there is sufficient ventilation.
- ▶ Observe the ventilation requirements.

If the appliance is integrated in a fitted kitchen, the following ventilation requirements must be met:

- The spacing fins on the back of the appliance are used to ensure sufficient ventilation. These must not lie in cavities or recesses in their final installation position.
- Basically, the larger the ventilation gap, the more energy the appliance saves during operation.

4 Water connection*

If your appliance has a fixed water connection, a hose is supplied with it.

Note

You can purchase a hose of a different length as an accessory.

Overview of dimensions for the water connection:	(see 4.1 Dimensions for the water connection)
Requirements for the water pressure:	(see 4.2 Water pressure)
Make the water connection:	(see 9 Connecting the appliance to the water supply*)

4.1 Dimensions for the water connection

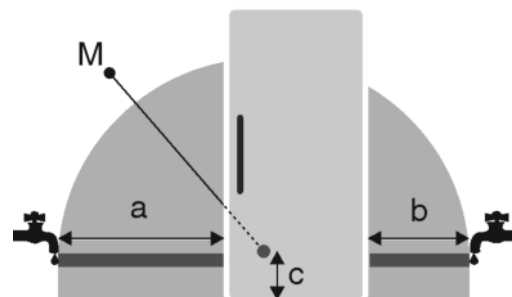


Fig. 2

- (a)** Maximum available hose length
- (b)** Maximum available hose length
- (c)** Distance of solenoid valve to floor
- (M)** Solenoid valve

For 600 mm wide appliances:

a	b	c
~ 1150 mm	~ 1000 mm	~ 150 mm

4.2 Water pressure

The water connection line and solenoid valve of the appliance are suitable for a water pressure of up to 1 MPa (10 bar).

To ensure that the appliance functions correctly (flow rate, ice cube size, noise level), maintain the following water pressure:

Water pressure:	
bar	MPa
1.5 to 6.2	0.15 to 0.62

Water pressure if using the water filter:*	
bar*	MPa*
2.8 to 6.2	0.28 to 0.62

Transporting the appliance

If the pressure is higher than 6.2 bar:

- ▶ Connect a pressure reducer.
- ▶ Make the water connection. (see 9 Connecting the appliance to the water supply*)

5 Transporting the appliance

Observe the following when transporting the appliance:

- ▶ Transport the appliance upright.
- ▶ Use two people when transporting the appliance.

During the first use:

- ▶ Transport the appliance packaged.

During appliance transport or at first use (e.g. when moving or cleaning):

- ▶ Empty the appliance.
- ▶ Secure the door against undesired opening.

6 Unpacking the appliance

If the appliance is damaged check with the supplier immediately before connecting it.

- ▶ Check the appliance and packaging for damage during transport. If you suspect any damage, please contact your supplier immediately.
- ▶ Remove all materials that could prevent it from being installed properly or prevent proper ventilation from the back or the side panels of the appliance.
- ▶ Remove all protective films from the appliance. Do not use sharp or pointed objects for this.

7 Disposal of packaging



WARNING

Danger of suffocation from packaging materials and films!

- ▶ Do not allow children to play with packaging materials.

The packaging is made from recyclable materials:

- Corrugated card/cardboard
 - Parts made of foamed polystyrene
 - Films and bags from polyethylene
 - Packing bands from polypropylene
 - Wood frame nailed together with a polyethylene window*
- ▶ Take the packaging material to an official collection point.

8 Reversing the door

Tools



Fig. 3



WARNING

Danger of injury due to door falling out!

If the bearing parts are not screwed on tightly enough, the door may fall out. This can result in serious injuries. In addition, the door may not close causing the appliance to cool improperly.

- ▶ Screw on the bearing brackets/bearing pins tightly with 4 Nm.
- ▶ Check all screws and retighten them if necessary.

These sections apply for appliances **with a soft stop mechanism**:

- For appliances **with** a soft stop mechanism
- For all appliances

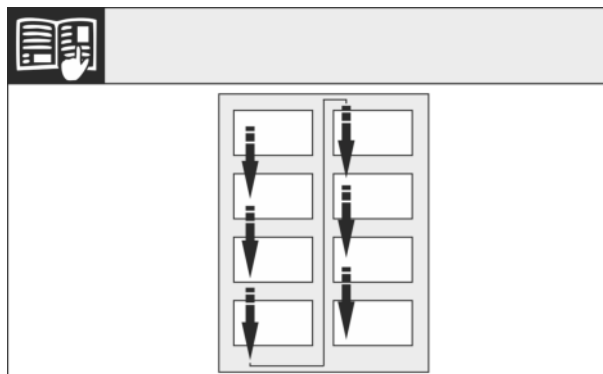


Fig. 4

Observe the reading direction.

8.1 Taking off the soft stop mechanism

For appliances with soft stop mechanism:

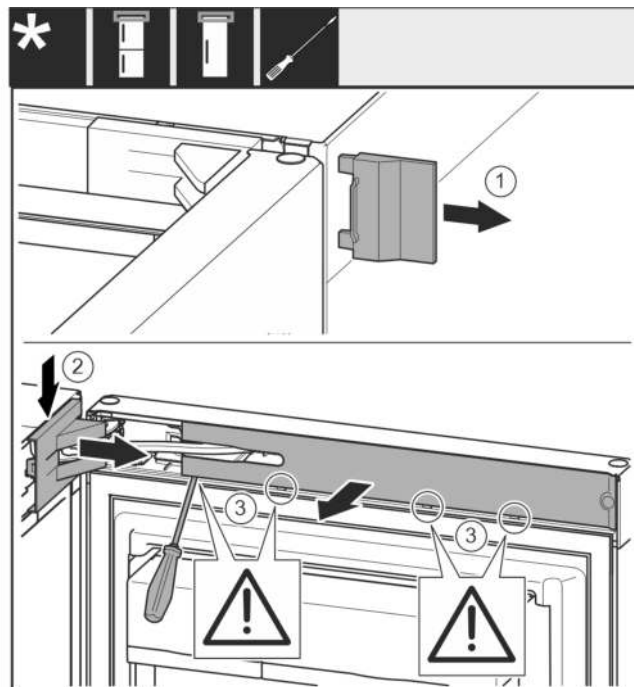


Fig. 5

- ▶ Open the door.

NOTICE

Risk of damage!

If the door seal is damaged the door may not close properly and the level of cooling is insufficient.

- ▶ Do not damage the door seal with the screwdriver!

- ▶ Remove the outer cover. *Fig. 5 (1)*
- ▶ Disengage and release the bearing bracket cover. Remove the bearing bracket cover. *Fig. 5 (2)*
- ▶ Unlatch the panel with a slotted screwdriver and swivel it to one side. *Fig. 5 (3)*

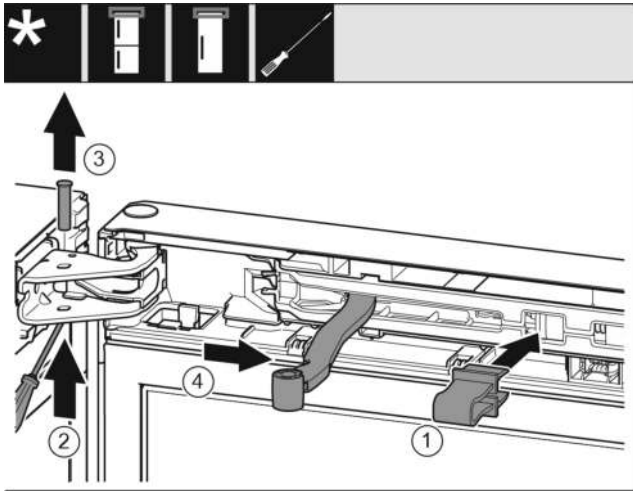


Fig. 6



CAUTION

Crushing hazard from the folding bracket!

- ▶ Engage the locking device.
- ▶ Engage the locking device in the opening. *Fig. 6 (1)*
- ▶ Unscrew the bolt with a screwdriver. *Fig. 6 (2)*
- ▶ Remove the bolt upwards. *Fig. 6 (3)*
- ▶ Turn the hinge in the direction of the door. *Fig. 6 (4)*

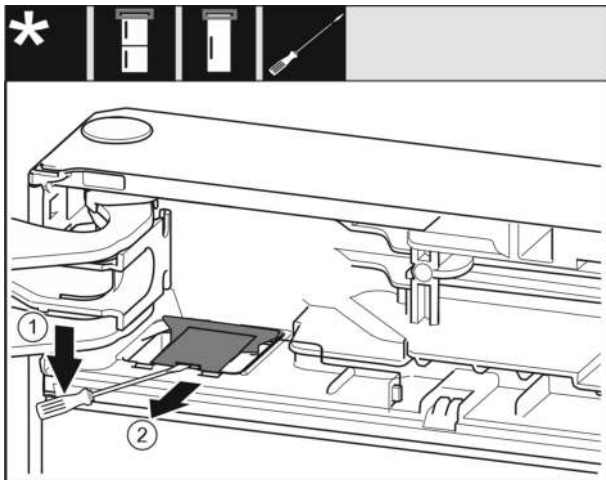


Fig. 7

- ▶ Unlatch the cover with a slotted screwdriver and lift it up. *Fig. 7 (1)*
- ▶ Take out the cover. *Fig. 7 (2)*

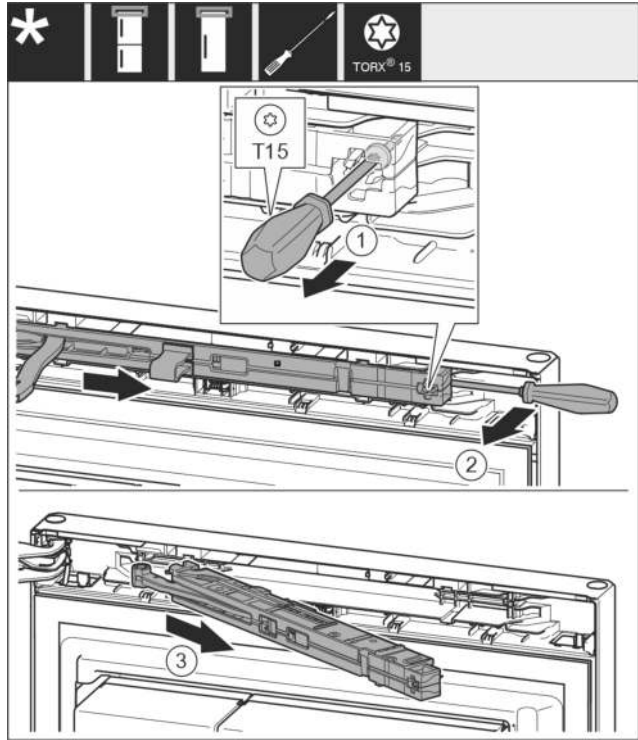


Fig. 8

- ▶ Undo the soft stop mechanism screw with a T15 screwdriver approx. 14 mm. *Fig. 8 (1)*
- ▶ Insert a screwdriver behind the soft stop mechanism on the handle side and rotate the unit forwards. *Fig. 8 (2)*
- ▶ Pull out the soft stop unit. *Fig. 8 (3)*

8.2 Removing the door

Note

- ▶ To prevent food items from falling out, take all food out of the door racks before removing the door.

For all appliances:

Reversing the door

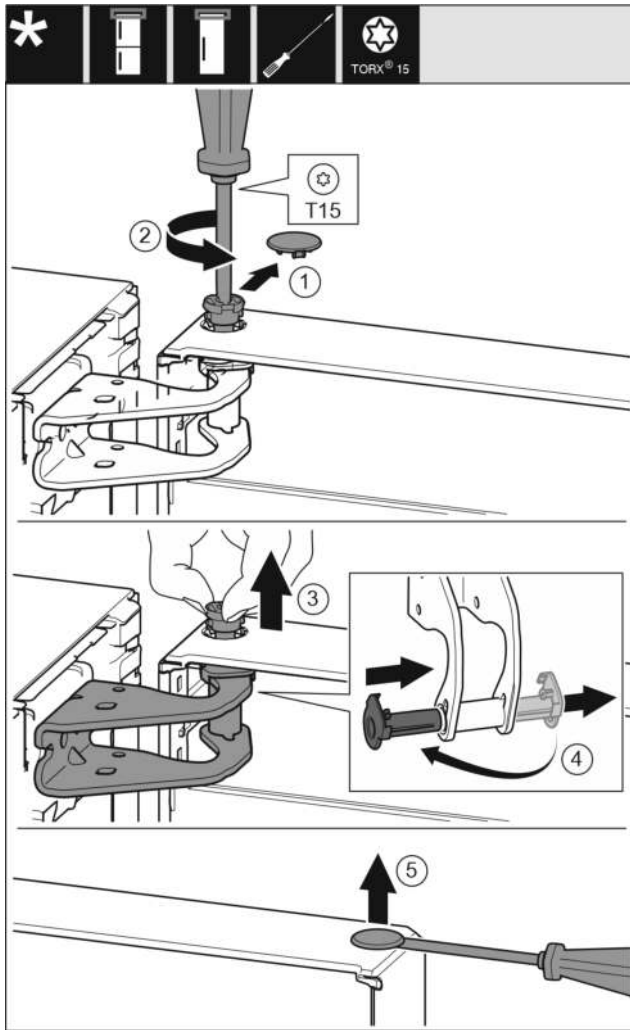


Fig. 9



CAUTION

Risk of injury if the door tips out!

- ▶ Keep a steady grip on the door.
- ▶ Set the door down carefully.

- ▶ Carefully remove the protective cover. Fig. 9 (1)
- ▶ Loosen the bolts slightly with a T15 screwdriver. Fig. 9 (2)
- ▶ Hold the door and remove the bolts with your fingers. Fig. 9 (3)
- ▶ Pull the bearing bush out of the guide. Insert from the other side and latch into place. Fig. 9 (4)
- ▶ Lift the door and place it to one side.
- ▶ Carefully lift the plugs out of the door bearing bush with a slotted screwdriver and remove them. Fig. 9 (5)

8.3 Moving the upper bearing parts to the other side

For all appliances:

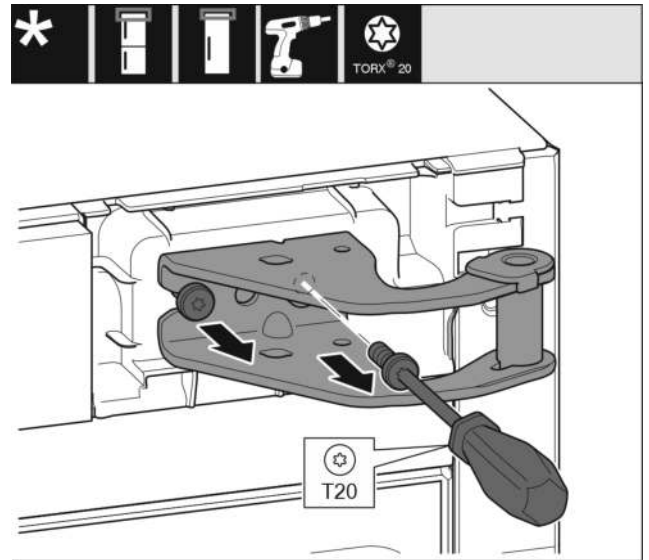


Fig. 10

- ▶ Remove both screws with a T20 screwdriver.
- ▶ Lift and remove the bearing bracket.

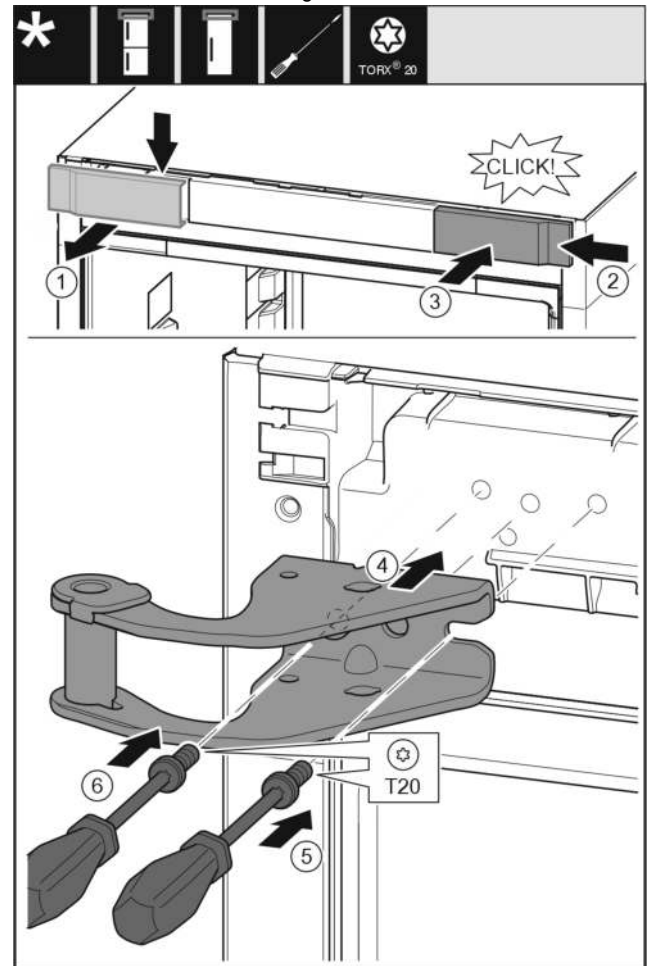


Fig. 11

- ▶ Take off the cover to the front from above. Fig. 11 (1)
- ▶ Rotate the cover 180° and clip onto the other side from the right. Fig. 11 (2)
- ▶ Latch the cover into place. Fig. 11 (3)
- ▶ Position the upper bearing bracket. Fig. 11 (4)
- ▶ Insert the screw with a T20 screwdriver and tighten it. Fig. 11 (5)
- ▶ Insert the screw with a T20 screwdriver and tighten it. Fig. 11 (6)

8.4 Moving the lower bearing parts to the other side

For all appliances:

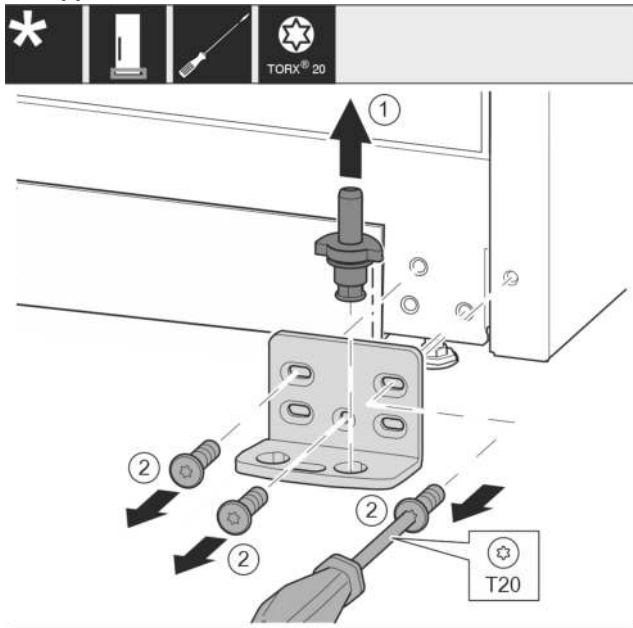


Fig. 12

- ▶ Lift the bearing pin completely upward and remove it. Fig. 12 (1)
- ▶ Remove the screws with the T20 screwdriver and take off the bearing bracket. Fig. 12 (2)

For all appliances:

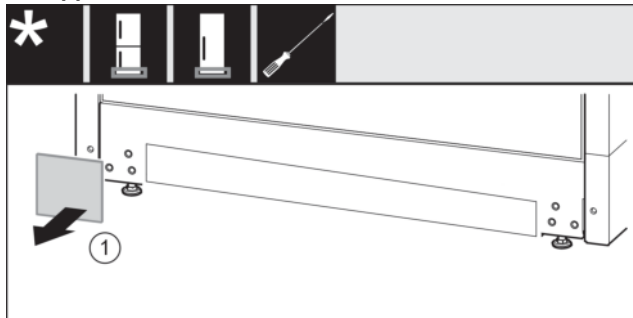


Fig. 13

- ▶ Take off the cover. Fig. 13 (1)

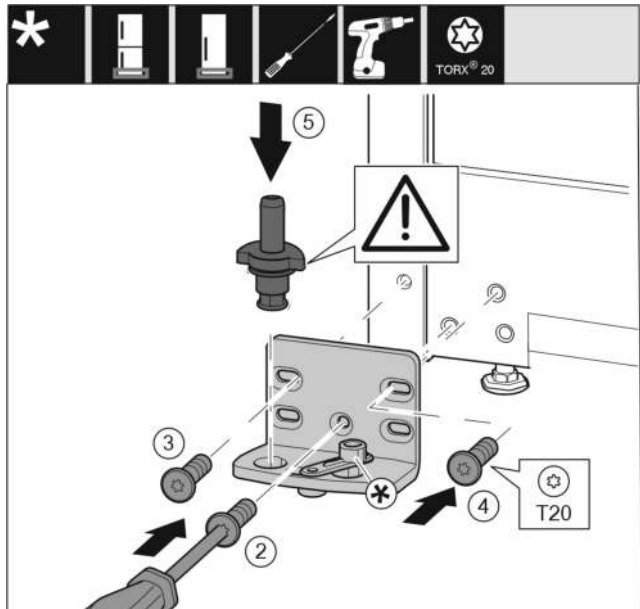


Fig. 14

- ▶ Place the bearing bracket on the other side and screw it in using the T20 screwdriver. Start with screw 2 at the bottom in the middle. Fig. 14 (2)
- ▶ Screw in screws 3 and 4. Fig. 14 (3,4)
- ▶ Insert the bearing pin completely. Make sure that the latching lug is pointing to the rear. Fig. 14 (5)

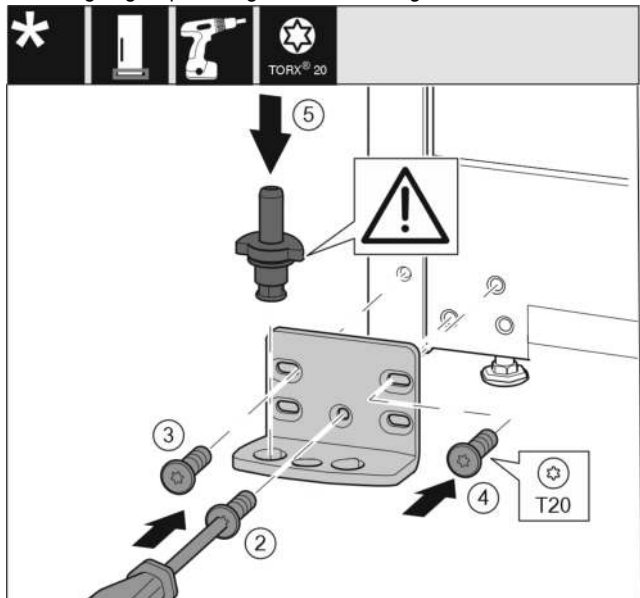


Fig. 15

- ▶ Place the bearing bracket on the other side and screw it in using the T20 screwdriver. Start with screw 2 at the bottom in the middle. Fig. 15 (2)
- ▶ Screw in screws 3 and 4. Fig. 15 (3,4)
- ▶ Insert the bearing pin completely. Make sure that the latching lug is pointing to the rear. Fig. 15 (5)

Reversing the door

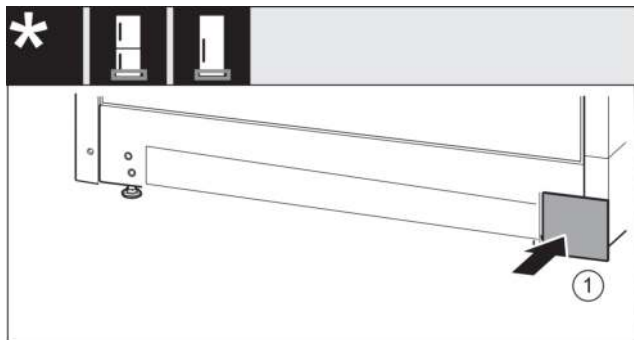


Fig. 16

► Put back the cover on the other side. Fig. 16 (1)

8.5 Moving the handles to the other side*

For all appliances:

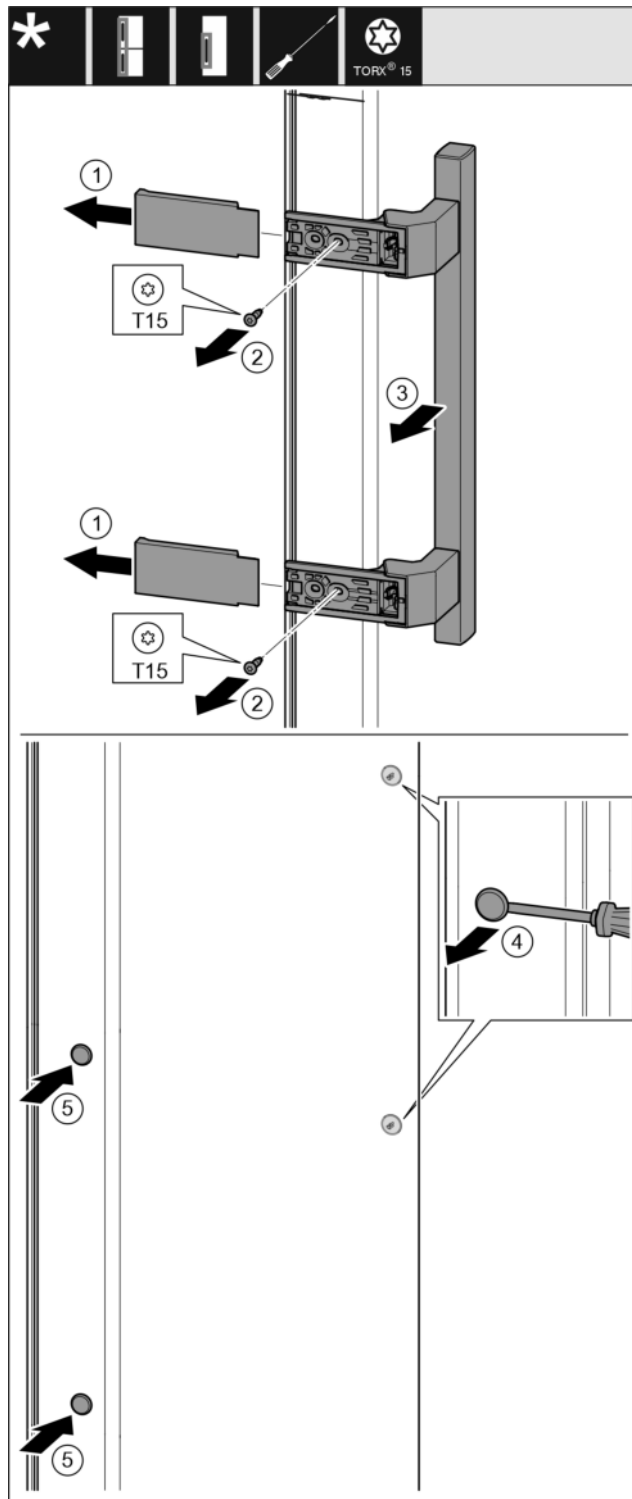


Fig. 17

- Pull off the cover. Fig. 17 (1)
- Remove the screws with the T15 screwdriver. Fig. 17 (2)
- Remove the handle. Fig. 17 (3)
- Carefully lift up the side plugs with a slotted screwdriver and pull them out. Fig. 17 (4)
- Insert the plugs again on the other side. Fig. 17 (5)

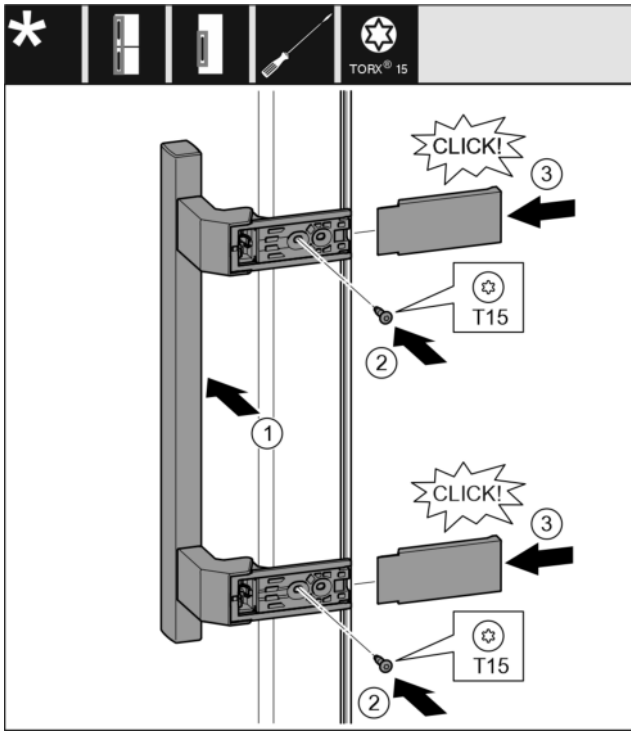


Fig. 18

- ▶ Position the handle on the opposite side. Fig. 18 (1)
- ▷ The screw holes must be exactly above each other.
- ▶ Tighten the screws using the T15 screwdriver. Fig. 18 (2)
- ▶ Position the covers on the side and push them on. Fig. 18 (3)
- ▷ Ensure that they latch into place correctly.

8.6 Fitting the door

For all appliances:

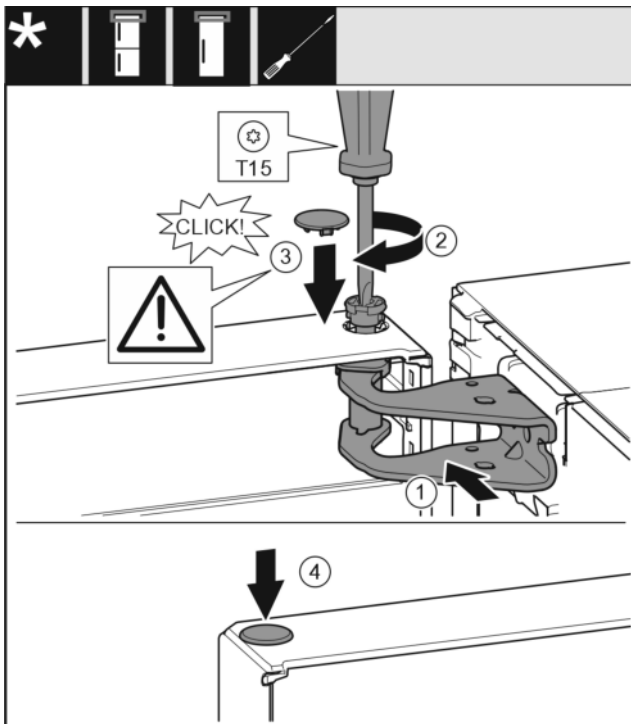


Fig. 19

- ▶ Place the door on the bottom bearing pins.
- ▶ Align the top of the door with opening in the bearing bracket. Fig. 19 (1)
- ▶ Insert the bolt and tighten with a T15 screwdriver. Fig. 19 (2)

- ▶ Fit the protective cover to protect the door: Insert the protective cover and check that it lies flush on the door. If not, insert the bolt fully. Fig. 19 (3)
- ▶ Insert the plugs. Fig. 19 (4)

8.7 Aligning the door

For all appliances:



WARNING

Danger of injury due to door falling out!

If the bearing parts are not screwed on tightly enough, the door may fall out. This can result in serious injuries. In addition, the door may not close causing the appliance to cool improperly.

- ▶ Screw the bearing brackets on firmly with 4 Nm.
 - ▶ Check all screws and retighten them if necessary.
-
- ▶ Align the doors flush with the appliance housing using the two slots in the lower bearing bracket, if needed. To do this undo the middle screw in the bottom bearing bracket with the T20 tool supplied. Undo the remaining screws a little with the T20 tool or with a T20 screwdriver and align via the slots.
 - ▶ Prop up the door: Screw out the adjustable foot on the bearing bracket using the open-ended wrench SW10 until it comes into contact with the floor, then turn an additional 90°.

8.8 Fitting the soft stop mechanism

For appliances with soft stop mechanism:

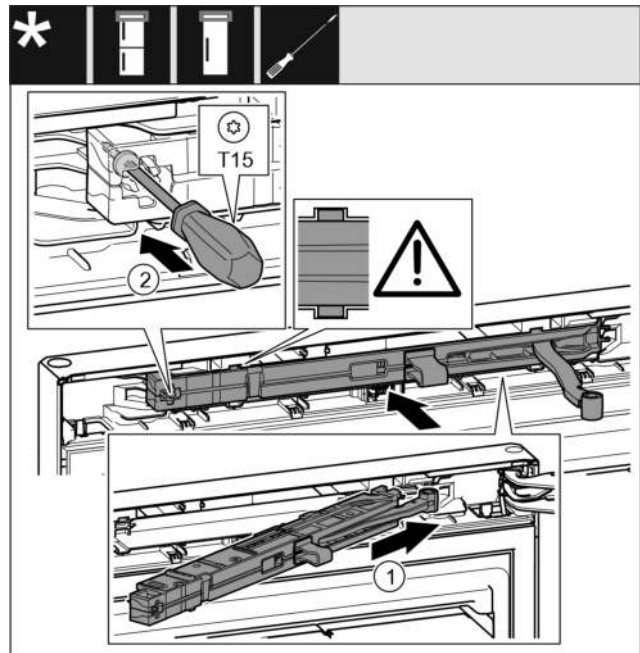


Fig. 20

- ▶ Slide the soft stop mechanism on the bearing bracket side at an angle into the recess as far as it will go. Fig. 20 (1)
- ▶ Slide the unit in fully.
- ▷ The unit is positioned correctly when the rib on the soft stop unit is in the guide on the housing.
- ▶ Tighten the screw using a T15 screwdriver. Fig. 20 (2)

Connecting the appliance to the water supply*

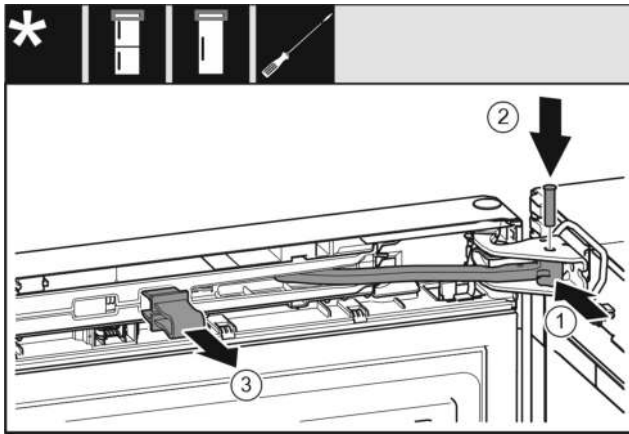


Fig. 21

The door is open 90°.

- ▶ Turn the hinge in the bearing bracket. Fig. 21 (1)
- ▶ Insert the bolt in the bearing bracket and hinge. Make sure that the latching lug is sitting correctly in the groove. Fig. 21 (2)
- ▶ Remove the locking device. Fig. 21 (3)

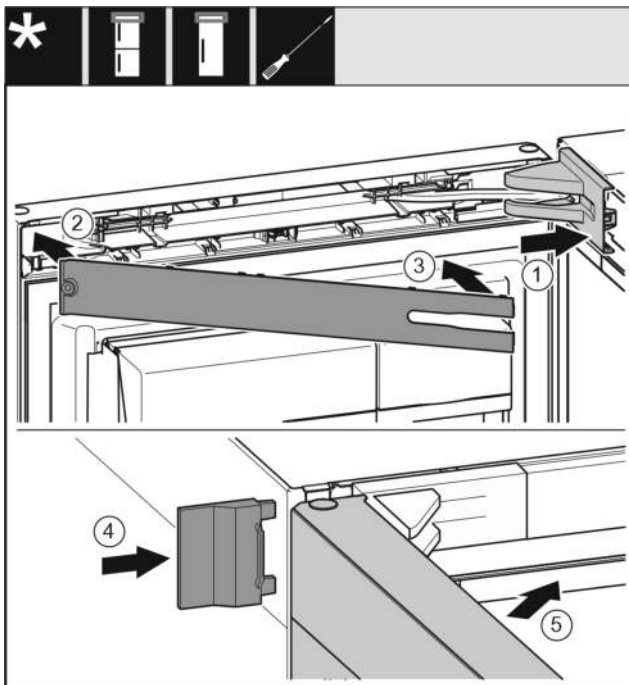


Fig. 22

- ▶ Position the bearing bracket cover and engage it. If necessary push it apart carefully. Fig. 22 (1)
- ▶ Place on the panel. Fig. 22 (2)
- ▶ Swing in the panel and latch it into place. Fig. 22 (3)
- ▶ Slide on the outer cover. Fig. 22 (4)
- ▶ Close the upper door. Fig. 22 (5)

9 Connecting the appliance to the water supply*

Make sure that the following requirements are fulfilled:

- ❑ The dimensions for the water supply connection are known and complied with.
- ❑ The correct water pressure is maintained.
- ❑ Water is supplied to the appliance via a cold water pipe that can withstand the operating pressure and is connected to the drinking water supply.
- ❑ All equipment and devices used for the water supply comply with the applicable regulations in the country of use.

- ❑ The back of the appliance is accessible so that you can connect the appliance to the drinking water supply.
- ❑ You are using the supplied hose. Old hoses have been disposed of.
- ❑ The hose connector contains a screen filter with a seal.
- ❑ There is a faucet between the hose line and the domestic water connection so that you can turn off the water supply if necessary.
- ❑ The faucet is not directly behind the appliance and is easily accessible. This way, you can push the appliance as close as possible to the wall and can quickly turn off the faucet if necessary.



WARNING

Risk of electric shock from water!

- ▶ Before connecting to the water hose: Disconnect the appliance from the mains.
- ▶ Before connecting to water lines: Shut off the water supply.
- ▶ Make sure that only qualified personnel connect the device to the drinking water supply.



WARNING

Risk of poisoning due to contaminated water!

- ▶ Connect to potable water supply only.

9.1 Connecting the hose

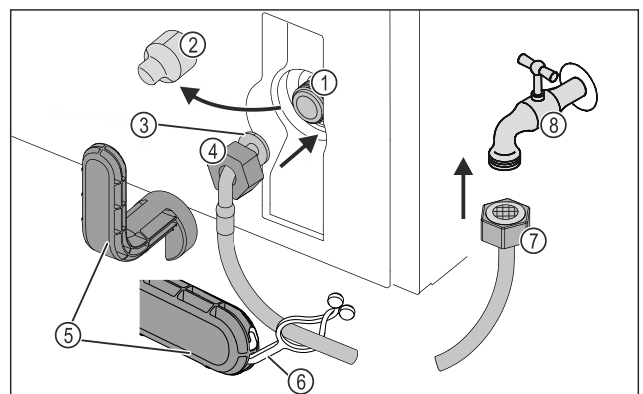


Fig. 23

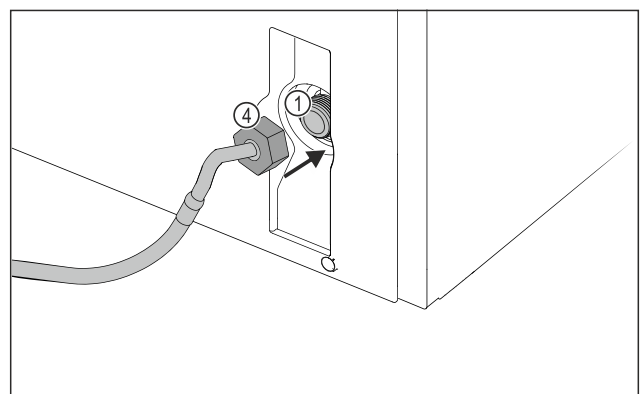


Fig. 23

(1) Solenoid valve: The solenoid valve is at the bottom on the back of the appliance. It has an R3/4 connecting thread.

(2) Cover
(3) Angled hose end

(5) Tool

(6) Lug
(7) Straight hose end

(4) Nut

(8) Faucet

NOTICE

Risk of damage from incorrect installation!

- ▶ Do not damage or kink the hose.
- ▶ Do not damage or kink the hose when setting up the appliance.

Connecting the hose to the appliance:

- ▶ Pull off the cover *Fig. 23 (2)*.
- ▶ Push and hold the nut *Fig. 23 (4)* all the way over the angled hose end *Fig. 23 (3)*.

NOTICE

The solenoid valve will not be tight if the thread is damaged! If the solenoid valve is not tight, water may leak out.

- ▶ Observe the following instructions for fitting the nut on the solenoid valve.
- ▶ Carefully position and hold the nut *Fig. 23 (4)* on the solenoid valve *Fig. 23 (1)*.
- ▶ Screw the nut *Fig. 23 (4)* onto the thread by hand until it is firmly in place.



WARNING

Danger of cuts if the tool is broken!

- ▶ Only use the tool *Fig. 23 (5)* at room temperature.

- ▶ Tighten the nut *Fig. 23 (4)* clockwise with the tool *Fig. 23 (5)* until the maximum torque is reached and the tool *Fig. 23 (5)* no longer tightens.
- ▷ The hose is connected to the appliance.

Connecting the hose to the faucet:

- ▶ Screw the nut *Fig. 23 (7)* onto the faucet *Fig. 23 (8)*.



WARNING

Danger of cuts if the tool is broken!

- ▶ Only use the tool *Fig. 23 (5)* at room temperature.

- ▶ Tighten the nut *Fig. 23 (7)* clockwise with the tool *Fig. 23 (5)* until the maximum torque is reached and the tool *Fig. 23 (5)* no longer tightens.
- ▶ Hook the lug *Fig. 23 (6)* into the tool *Fig. 23 (5)*.
- ▶ Fasten the lug *Fig. 23 (6)* to keep it on the hose.
- ▷ The hose is connected to the faucet.

9.2 Check the water system

Before you completely install the appliance, Liebherr recommends checking the water system for leaks.

- ▶ Put in the InfinitySpring water tank. (see 10 Water tank*)
- ▶ Put in the InfinitySpring water filter. (see 11 Water filter*)
- ▶ Slowly turn on the faucet.
- ▶ Check the hose, water feed and connections for leaks.
- ▷ The water system has now been checked for leaks.
- ▷ The water system is not leaking: You can install up the appliance completely.

Note

InfinitySpring: Before the first use, you must put the InfinitySpring into operation. To do this you must bleed and clean the water system. (see Quick Start Guide or operating instructions)*

10 Water tank*

Depending on your model, the InfinitySpring water tank is behind the lowest drawer in the fridge or BioFresh compartment

10.1 Inserting the water tank

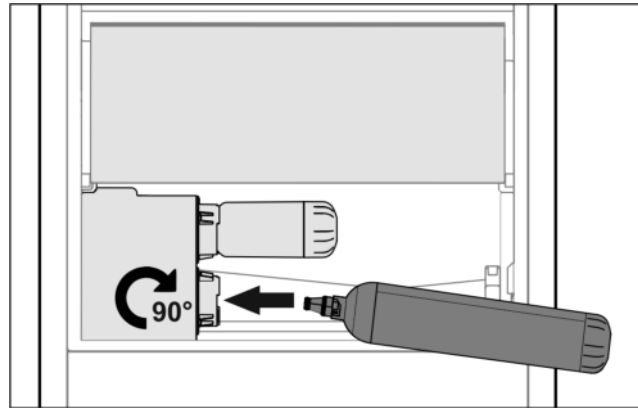


Fig. 24

- ▶ Remove the drawer.
- ▶ Insert the water tank and turn approx. 90° to the right until it engages.
- ▶ Check that the water tank is sealed and no water leaks out.
- ▶ Insert the drawer.
- ▶ Vent the water system (see Installation Instructions, Water Connection)

Instead of the water filter, you can use an additional water tank.

Note

The water tank is available as a spare part.

11 Water filter*

Depending on your model, the water filter is behind the lowest drawer in the fridge or BioFresh compartment.

It absorbs deposits in the water and reduces the taste of chlorine.

- Replace the water filter at least every 6 months under the specified usage conditions or if the flow rate drops significantly.
- The water filter contains carbon and can be disposed of with the regular household waste.

Note

The water filter can be purchased from the Liebherr-Hausgeräte store at home.liebherr.com/shop/de/deu/zubehor.html.

Water filter*

11.1 Installing the water filter

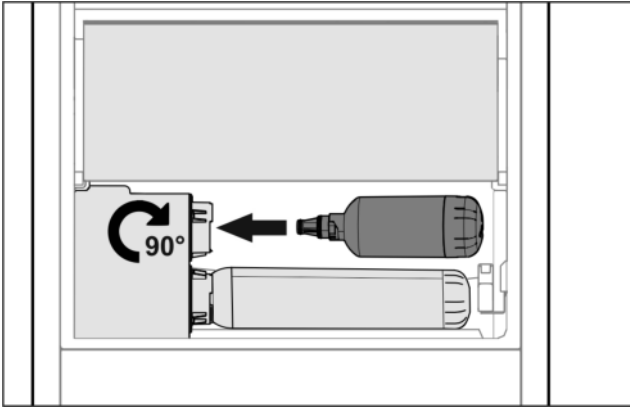


Fig. 25

- ▶ Remove the drawer.
- ▶ Insert the water filter and turn clockwise approx. 90° until it engages.
- ▶ Make sure the filter does not leak and no water is coming out.
- ▶ Insert the drawer.



CAUTION

New water filters may contain particulate matter.

- ▶ Draw 3 l of water from the InfinitySpring and dispose of it.

-
- ▷ The water filter is now ready for use.



home.liebherr.com/fridge-manuals

EN Refrigerator

Issue date: 20240212

Part number index: 7086335-00

Liebherr-Hausgeräte Marica EOOD
Bezirk Plovdiv
4202 Radinovo
Bulgarien



Installation Guide

Quality, Design and Innovation



home.liebherr.com/fridge-manuals




LIEBHERR


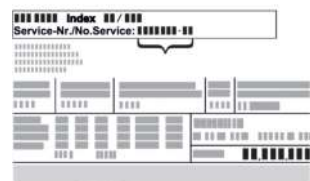




General safety instructions

Contents

1	General safety instructions	2
2	Installation conditions	3
2.1	Location.....	3
2.2	Building the appliance into kitchen units.....	3
2.3	Installing multiple appliances.....	4
2.4	Mains connection.....	5
3	Installation dimensions	5
4	Ventilation requirements	5
5	Water connection*	5
5.1	Dimensions for the water connection*.....	6
5.2	Water pressure.....	6
6	Transporting appliance	6
7	Unpacking the appliance	6
8	Mounting wall spacers	6
9	Setting up the appliance	6
10	Setting up the appliance so that it is level	7
11	After setting up	7
12	Disposing of packaging	7
13	Door hinge change	7
13.1	Removing the upper soft stop mechanism*.....	8
13.2	Removing the bottom soft stop mechanism*.....	9
13.3	Undoing the cable connection.....	10
13.4	Removing the top door.....	11
13.5	Removing the bottom door.....	11
13.6	Moving the upper bearing parts to the other side.....	12
13.7	Moving the central bearing parts to the other side.....	14
13.8	Moving the lower bearing parts to the other side..	14
13.9	Moving the door bearing parts to the other side....	15
13.10	Moving the handles to the other side*.....	15
13.11	Fitting the bottom door.....	16
13.12	Fitting the top door.....	17
13.13	Fitting the cable connection.....	17
13.14	Aligning the doors.....	18
13.15	Fitting the bottom soft stop mechanism.....	18
13.16	Fitting the top soft stop mechanism.....	19
14	Connecting the appliance to the water supply*..	19
14.1	Connecting the hose*.....	20
14.2	Checking the water system.....	20
15	Water tank*	21
15.1	Inserting the water tank.....	21
16	Water filter*	21
16.1	Inserting the water filter.....	21
17	Connecting device	21

The manufacturer is continually working on the further development of all types and models. Please be aware that we reserve the right to make changes to the shape, equipment and technology.

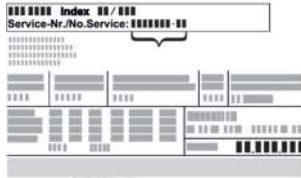
Symbol	Explanation
	Read instructions Please read the information in these instructions carefully to understand all of the benefits of your new appliance.

Symbol	Explanation
	Additional information on the Internet The digital manual with additional information and in other languages can be found via the QR code on the front of the manual or by entering the service number at home.liebherr.com/fridge-manuals . The service number can be found on the serial tag:  <i>Fig. Example illustration</i>
	Check appliance Check all parts for transport damage. If you have any complaints, please contact your agent or customer service.
	Differences These instructions apply to a range of models, so differences are possible. Sections that apply to certain models only are marked with an asterisk (*).
	Instructions and results Instructions are marked with a ►. Results are marked with a ▷.
	Videos Videos about the appliances are available on the YouTube channels of Liebherr-Hausgeräte.

1 General safety instructions

- Please keep this assembly manual in a safe place so you can refer back to it at any time.
- If you pass the appliance on, please hand this assembly manual to the next user.
- Read this assembly manual carefully before installation and use to ensure safe and correct use of the appliance. Follow the instructions, safety instructions and warning messages included at all times. They are important for ensuring you can operate and install the appliance safely and without any problems.
- First read the general safety instructions in the “General safety instructions” section of the **operating instructions**, which accompany these installation instructions, and follow them. If you cannot find the **operating instructions**, you can download the **operating instructions** from the internet by entering the service number at home.liebherr.com/fridge-manuals. The

service number can be found on the serial



tag:

- **Observe the warning messages and other detailed information in the other sections when installing the appliance:**

	DANGER	identifies a situation involving direct danger which, if not obviated, may result in death or severe bodily injury.
	WARNING	identifies a dangerous situation which, if not obviated, may result in death or severe bodily injury.
	CAUTION	identifies a dangerous situation which, if not obviated, may result in minor or medium bodily injury.
	NOTICE	identifies a dangerous situation which, if not obviated, may result in damage to property.
	Note	identifies useful instructions and tips.

2 Installation conditions

WARNING

Fire hazard due to dampness!
If live parts or the mains lead become damp this may cause short circuits.

- The appliance is designed for use in enclosed areas. Do not operate the appliance outdoors or in areas where it is exposed to splash water or damp conditions.

Intended use

- Install and use the appliance in indoor spaces only.

2.1 Location

WARNING

Leaking coolant and oil!
Fire. The coolant contained in the appliance is eco-friendly, but also flammable. The oil contained in the appliance is flammable. Escaping coolant and oil can ignite if the concentration is high enough and in contact with an external heat source.

- Do not damage the pipelines of the coolant circuit and the compressor.

- If the appliance is installed in a very humid environment, condensation can build up on the outside of the unit. Always ensure good airflow and ventilation in the installation location.
- The more refrigerant there is in the appliance, the larger the space that it is installed in must be. If the space is too small, any leak may create a flammable mixture of gas and air. For every 8 g of refrigerant, the installation space must be at least 1 m³. Information regarding the coolant can be found on the serial tag inside the appliance.

2.1.1 Supporting floor

- The floor of the installation site must be horizontal and even.
- The surface supporting the appliance must be at the same level as the surrounding floor.

2.1.2 Positioning

- Do not place the appliance in direct sunlight or near radiators or similar sources of heat.
- You can place the appliance directly next to an oven.
- If the appliance is placed directly next to an oven, the energy consumption may increase slightly. This is dependent on the service life and usage intensity of the oven.
- Install the appliance with the rear panel up against the wall and always use the supplied wall spacers (see below).

2.2 Building the appliance into kitchen units

You can install kitchen cabinets around the appliance.

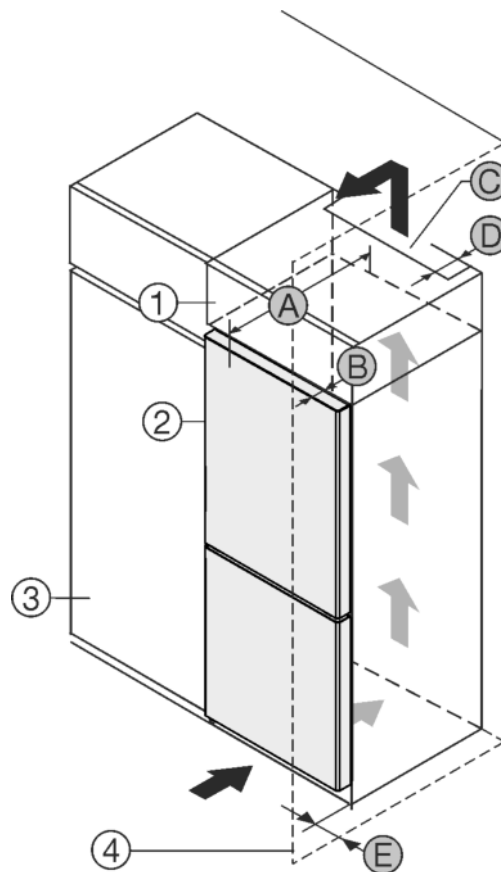


Fig. 1

- (1) Top cupboard *
- (2) Appliance *
- (3) Kitchen cabinet *
- (4) Wall *
- (A) Appliance depth *
- (B) Door depth *
- (C) Ventilation cross section *
- (D) Distance to the back of the appliance *
- (E) Distance to the side of the appliance *

You can place the appliance directly beside the kitchen cabinet Fig. 1 (3).*

There must be a ventilation shaft at the depth Fig. 1 (D) of the back of the top cupboard over the entire width of the top cupboard.*

Installation conditions

The ventilation cross-section *Fig. 1 (C)* must be maintained under the ceiling.*

If the appliance is set up with the hinges next to a wall *Fig. 1 (4)*, the distance between the appliance and the wall must be at least 13 mm.*

If the appliance is set up with the hinges next to a wall *Fig. 1 (4)*, the distance between the appliance and the wall must be at least 20 mm.*

In order to be able to fully open the door, the appliance must protrude by the depth of the door *Fig. 1 (B)* from the front of the kitchen cabinet. The appliance may protrude further depending on the depth of the kitchen cabinets *Fig. 1 (3)* and whether wall spacers are used.*

Appliances without handle / with recessed grip:*	
A	675 mm ^x
B	75 mm
C	Min. 300 cm ²
D	Min. 50 mm
E	Min. 13 mm

^x The use of wall spacers increases the dimensions by 15 mm (see 8 Mounting wall spacers).*

Appliances with recessed grip and glass/stone front:*	
A	682 mm ^x
B	82 mm
C	Min. 300 cm ²
D	Min. 50 mm
E	Min. 20 mm

^x The use of wall spacers increases the dimensions by 15 mm (see 8 Mounting wall spacers).*

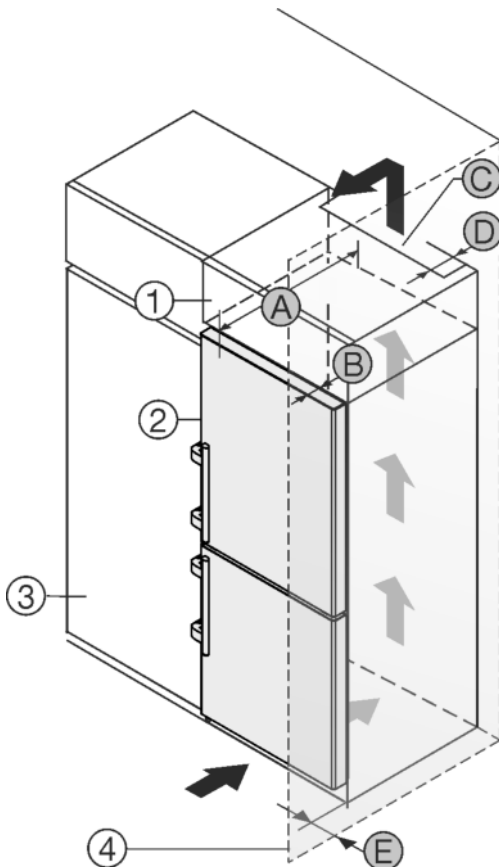


Fig. 2

- (1) Top cabinet *
- (2) Appliance *
- (3) Kitchen cabinet *
- (4) Wall *
- (A) Appliance depth *
- (B) Door depth *
- (C) Ventilation cross section *
- (D) Distance to the back of the appliance *
- (E) Distance to the side of the appliance *

You can place the appliance directly beside the kitchen cabinet *Fig. 2 (3)*.*

There must be a ventilation shaft at the depth *Fig. 2 (D)* of the back of the top cupboard over the entire width of the top cupboard.*

The ventilation cross-section *Fig. 2 (C)* must be maintained under the ceiling.*

If the appliance is set up with the hinges next to a wall *Fig. 2 (4)*, the distance between the appliance and the wall must be at least 57 mm. This is how far the handle protrudes when the door is open.*

In order to be able to fully open the door, the appliance must protrude by the depth of the door *Fig. 2 (B)* from the front of the kitchen cabinet. The appliance may protrude further depending on the depth of the kitchen cabinets *Fig. 2 (3)* and whether wall spacers are used.*

Appliances with lever handle:*	
A	675 mm ^x
B	75 mm
C	Min. 300 cm ²
D	Min. 50 mm
E	Min. 57 mm

^x The use of wall spacers increases the dimensions by 15 mm (see 8 Mounting wall spacers).*

Note

Please contact Customer Services to acquire a kit to limit the door opening angle to 90° for appliances with soft close mechanisms.

Ensure that the following conditions are met:

- Recess dimensions are adhered to.
- Ventilation requirements are complied with (see 4 Ventilation requirements).

2.3 Installing multiple appliances

NOTICE

Risk of damage due to condensate!

- Do not install the appliance directly alongside a further refrigerator/freezer.

These appliances are designed for a variety of installation options. Combine appliances only if the appliance is suitable. The following table shows the installation options by model:

Installation option	Model
Single	All models
Side-by-side (SBS)	Model names starting with S...

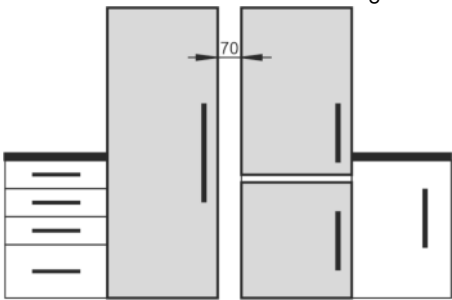
Installation option	Model
Side-by-side with a space of 70 mm between the appliances Otherwise condensation will build up between the units.	All models without side wall heating 

Fig. 3

Assemble the appliances together, following their specific installation instructions.

2.4 Mains connection



WARNING

Danger of fire due to incorrect positioning!
If the mains cable or plug touches the back of the appliance, the vibration can damage the mains cable or the plug resulting in a short circuit.

- ▶ Make sure the mains cable is not trapped under the appliance when you position the appliance.
- ▶ Stand the appliance so that it is not touched by connectors or main cables.
- ▶ Do not connect any appliances to sockets in the area of the back of the appliance.
- ▶ Do **not** place and operate multi-sockets/power distributors and other electronic devices (such as halogen transformers) at the back of the appliances.

3 Installation dimensions

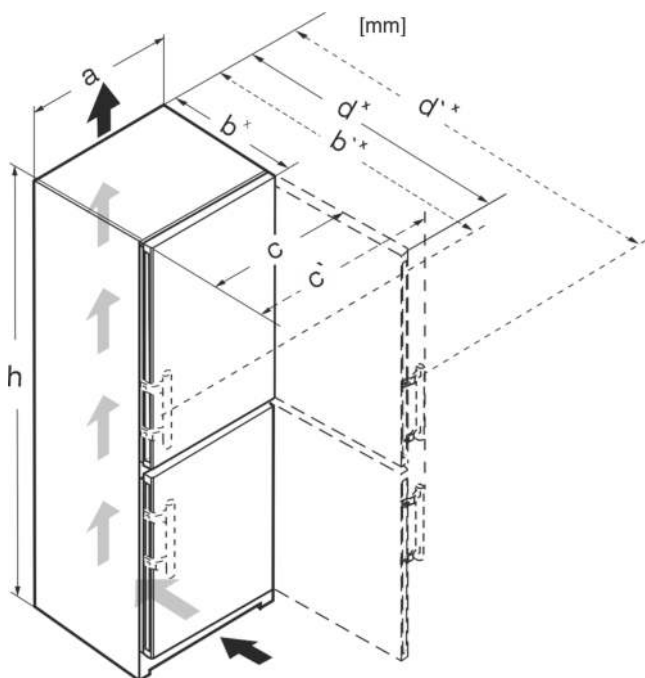


Fig. 4

	h	a	b	b`	c	c`	d	d`
CN.. 52..	1855	597	675 ^x	719 ^x	609	654	1215 ^x	1222 ^x

SCN.. 52..(i)	1855	597	675 ^x	719 ^x	609	654	1215 ^x	1222 ^x
SBN.. 52..(i)	1855	597	675 ^x	719 ^x	609	654	1215 ^x	1222 ^x
SWN.. 52..(i)	1855	597	675 ^x	–	609	–	1215 ^x	–
CN.. 57..(i)	2015	597	675 ^x	719 ^x	609	654	1215 ^x	1222 ^x
CBN.. 575(i) / 576i	2015	597	675 ^x	719 ^x	609	654	1215 ^x	1222 ^x
CBN.. 578(i) / 579i	2015	597	675 ^x	–	609	–	1217 ^x	–
CBN.. 573i	2015	597	675 ^x	–	609	–	1217 ^x	–
CBN.. 5773	2015	597	682 ^x	–	609	–	1217 ^x	–
CN.. 77..(i)	2015	747	675 ^x	719 ^x	759	804	1365 ^x	1372 ^x
CBN.. 76..(i)	1855	747	675 ^x	719 ^x	759	804	1365 ^x	1372 ^x
CBN.. 775(i)	2015	747	675 ^x	719 ^x	759	804	1365 ^x	1372 ^x
CBN.. 778i	2015	747	675 ^x	–	759	–	1367 ^x	–

^x For appliances with supplied wall spacers, the dimensions must be increased by 15 mm .

4 Ventilation requirements

NOTICE

Danger of overheating due to insufficient air ventilation!
The compressor may be damaged if there is insufficient air ventilation.

- ▶ Take care to ensure adequate air ventilation.
- ▶ Observe the ventilation requirements.

If the appliance is integrated into a fitted kitchen, the following ventilation requirements must be adhered to:

- There are spacer fins at the back of the appliance to provide sufficient ventilation. Make sure that these are not positioned in recesses or openings.
- As a rule, the larger the ventilation space the more efficiently the appliance can run.

5 Water connection*

If your appliance has a fixed water connection, a hose is supplied with it.*

Note

You can purchase a hose of a different length as an accessory.*

Overview of dimensions for the water connection:*	(see 5.1 Dimensions for the water connection*) *
Requirements for the water pressure:	(see 5.2 Water pressure)
Make the water connection:	(see 14 Connecting the appliance to the water supply*)

Transporting appliance

5.1 Dimensions for the water connection*

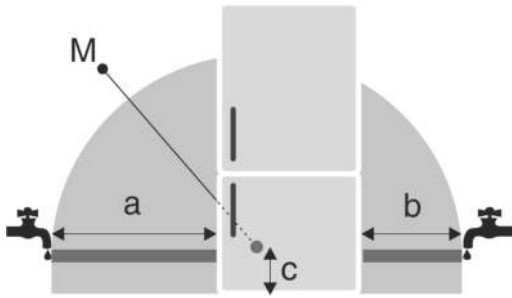


Fig. 5

- (a) Maximum available hose length
 (b) Maximum available hose length
 (c) Distance of solenoid valve to floor
 (M) Solenoid valve

For 600 mm wide appliances:*

a*	b*	c*
~ 1150 mm	~ 1000 mm	~ 150 mm

For 750 mm wide appliances:*

a*	b*	c*
~ 1075 mm	~ 925 mm	~ 150 mm

5.2 Water pressure

The water connection line and solenoid valve of the appliance are suitable for a water pressure of up to 1 MPa (10 bar).

To ensure that the appliance functions correctly (flow rate, ice cube size, noise level), maintain the following water pressure:

Water pressure:*	
bar*	MPa*
1.5 to 6.2	0.15 to 0.62

Water pressure when using the water filter:*	
bar*	MPa*
2.8 to 6.2	0.28 to 0.62

If the pressure is higher than 6.2 bar:

- ▶ Fit a pressure reducer.
- ▶ Make the water connection. (see 14 Connecting the appliance to the water supply*)

6 Transporting appliance



WARNING

Risk of injury due to broken glass!*

When transporting at an altitude of more than 1500 m, the glass panes of the door may break. This can result in sharp-edged fragments, which can cause serious injuries.

- ▶ Take appropriate protective action.

Note when transporting the appliance:

- ▶ Transport the appliance upright.
- ▶ Use two people to transport the appliance.

During first use:

- ▶ Transport the appliance packaged.

When transporting appliances after initial commissioning (e. g. moving or cleaning):

- ▶ Empty the appliance.
- ▶ Secure the door against unintentional opening.

7 Unpacking the appliance

Before you connect the appliance, report any damage immediately to the delivery company.

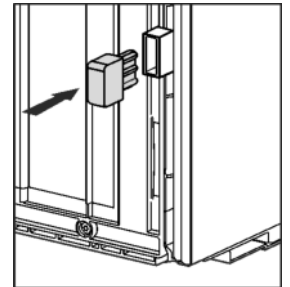
- ▶ Check the appliance and the packaging for damage during transport. Contact the supplier immediately if you suspect any level of damage.
- ▶ Remove all materials from the back or the side walls of the appliance that may prevent proper installation or ventilation.
- ▶ Remove all protective films from the appliance. Do not use sharp or pointed objects for this.

8 Mounting wall spacers

With wall spacers, your device achieves the declared energy consumption and no condensation forms in high ambient humidity. The device is fully functional without the spacer brackets, but its energy consumption will be slightly higher.

If you insert the wall spacers, then the device depth increases by approx. 15 mm.

- ▶ Appliance with supplied wall spacers: Fit wall spacers on the rear of the appliance at the bottom left and right.



9 Setting up the appliance



CAUTION

Risk of injury due to heavy appliance!

- ▶ Have two people transport the appliance to its installation site.



CAUTION

Risk of injury and damage!*

The door may strike the wall and be damaged as a result. In the case of glass doors, the damaged glass may cause injuries!

- ▶ Protect the glass door from striking against the wall. Fit a door stop, e.g. one made of felt, to the wall.
- ▶ A limiter restricting door opening to 90° can be ordered from the aftersales service.



WARNING

Danger of injury and damage due to the appliance being unstable!

The appliance can topple over.

- ▶ Secure the appliance as described in the instructions.

Setting up the appliance so that it is level



WARNING

Fire hazard and danger of damage!

- ▶ Do not place appliances emitting heat e.g. microwaves, toasters etc. on the appliance!

Ensure that the following conditions are met:

- Only move the device when it is not loaded.
- Only set up the appliance when someone is available to help.

10 Setting up the appliance so that it is level



CAUTION

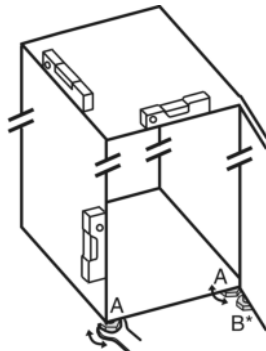
Risk of injury or damage from the appliance tipping or the door falling open!

If the additional adjustable foot on the base support is not correctly positioned on the floor, there is a risk of the door falling open or the appliance tipping. This can lead to injury or property damage.

- ▶ Unscrew the additional adjustable foot on the support until it reaches the floor.
- ▶ Then turn it another 90°.

- ▶ Set up the appliance so that it is level using the supplied open-ended wrench to turn the adjustable feet (A) and a spirit level.

- ▶ Then prop up the door: Turn the adjustable foot (B) on the bearing bracket until it comes into contact with the floor, then turn an additional 90°.



- ▶ Then prop up the door: Turn the adjustable foot on the bearing bracket (B) using the open-ended wrench SW10 until it comes into contact with the floor, then turn an additional 90°.

11 After setting up

- ▶ Take off the protective film from the exterior of the appliance.
- ▶ Take off the protective film from the trim panels.
- ▶ Take off the protective film from the trim panels and drawer fronts.
- ▶ Take off the protective film from the stainless steel rear panel.
- ▶ Remove all transport safety components.
- ▶ Clean the appliance. (see operating instructions)
- ▶ Note the type (model, number), appliance designation, appliance/serial number, purchase date and dealer's address.

12 Disposing of packaging



WARNING

Danger of suffocation due to packing material and plastic film!

- ▶ Do not allow children to play with packing material.

The packaging is made of recyclable materials:

- corrugated board/cardboard
- expanded polystyrene parts
- polythene bags and sheets
- polypropylene straps
- nailed wooden frame with polyethylene panel*
- ▶ Take the packaging material to an official collecting point.

13 Door hinge change

Tools

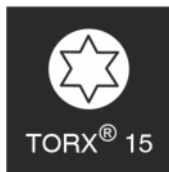


Fig. 6



WARNING

Danger of injury due to door falling out!

If the bearing parts are not screwed on tightly enough, the door may fall out. This can result in serious injuries. In addition, the door may not close with the result that the appliance does not cool properly.

- ▶ Screw on the bearing brackets/bearing pins tightly with 4 Nm.
- ▶ Check all screws and retighten them if necessary.

These sections apply for appliances **with a soft stop mechanism**:

- For appliances **with** a soft stop mechanism
- For all appliances

NOTICE

Risk of condensation damage for Side-by-Side appliances!* Certain appliances can be set up as Side-by-Side combinations (two appliances next to each other).

If your appliance is a **Side-by-Side (SBS) appliance**:

- ▶ Set up the SBS combination in accordance with the enclosed document.

If the **positioning of the devices is stipulated**:

- ▶ Do not change the door hinges over.

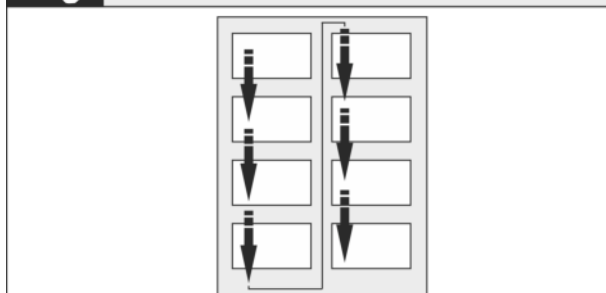


Fig. 7

Door hinge change

Remember the reading direction.

13.1 Removing the upper soft stop mechanism*

For appliances with a soft stop mechanism:*

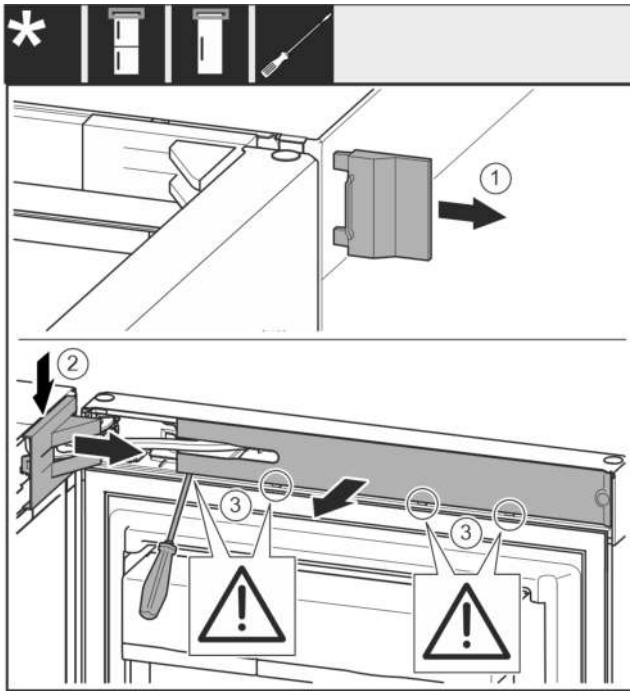


Fig. 8

- ▶ Open the top door.

NOTICE

Risk of damage!

If the door seal is damaged, the door may fail to close properly and the cooling will be inadequate.

- ▶ Do not damage the door seal with the screwdriver!

- ▶ Remove the outer cover. Fig. 8 (1)
- ▶ Disengage and release the bearing bracket cover. Remove the bearing bracket cover. Fig. 8 (2)
- ▶ Unlatch the panel with a slotted screwdriver and swivel it to one side. Fig. 8 (3)

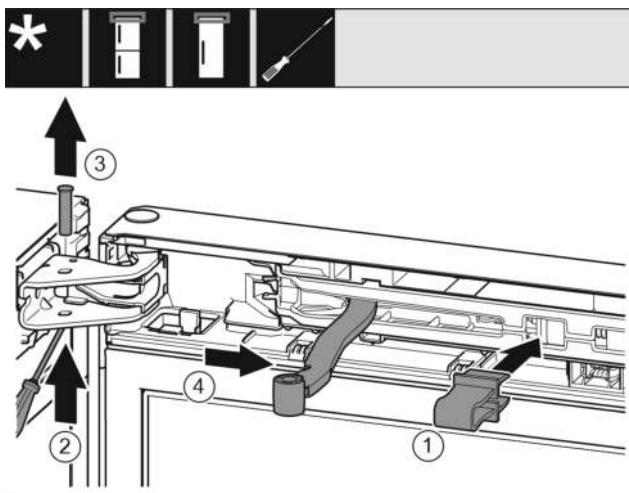


Fig. 9

- ▶ Engage the locking device in the opening. Fig. 9 (1)
- ▶ Push out the bolt with a screwdriver. Fig. 9 (2)
- ▶ Remove the bolt upwards. Fig. 9 (3)
- ▶ Turn the hinge in the direction of the door. Fig. 9 (4)

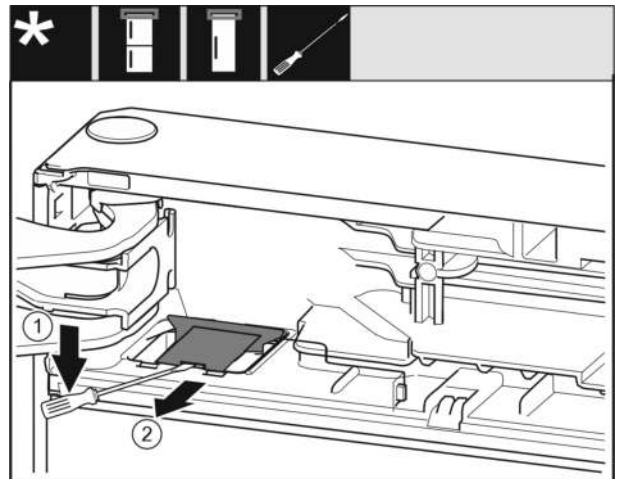


Fig. 10

- ▶ Unlatch the cover with a slotted screwdriver and lift it up. Fig. 10 (1)
- ▶ Take out the cover. Fig. 10 (2)

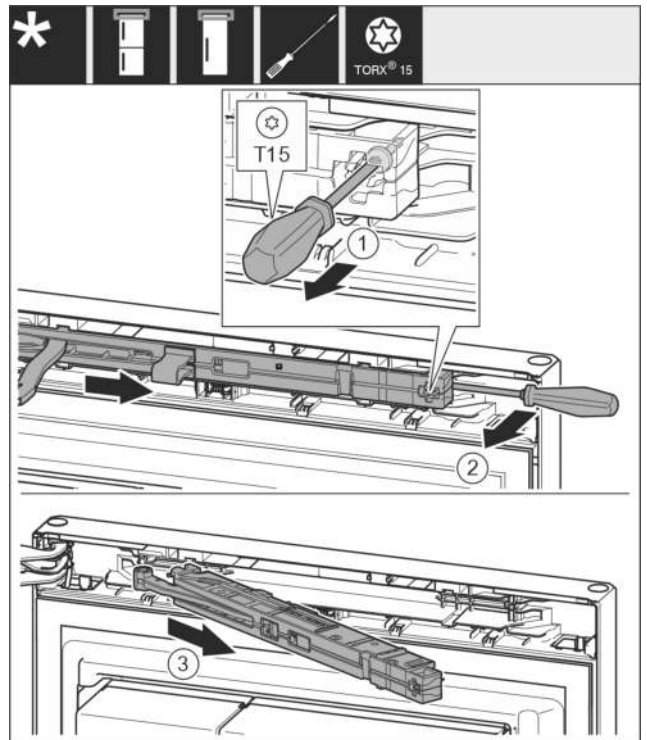


Fig. 11

- ▶ Undo the soft stop mechanism screw with a T15 screwdriver approx. 14 mm. Fig. 11 (1)
- ▶ Insert a screwdriver behind the soft stop mechanism on the handle side and rotate the unit forwards. Fig. 11 (2)
- ▶ Remove the soft stop mechanism. Fig. 11 (3)



CAUTION

Crushing hazard by joint folding up!

- ▶ Engage safety device.

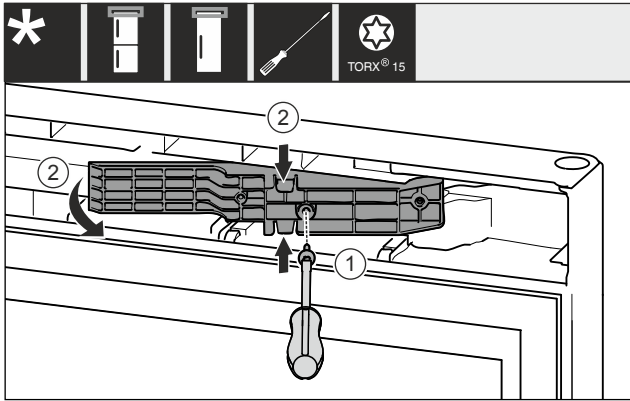


Fig. 12 *

- ▶ Loosen the screws with the T15 screwdriver. Fig. 12 (1)*
- ▶ Pull out the adaptor. Fig. 12 (2)*

13.2 Removing the bottom soft stop mechanism*

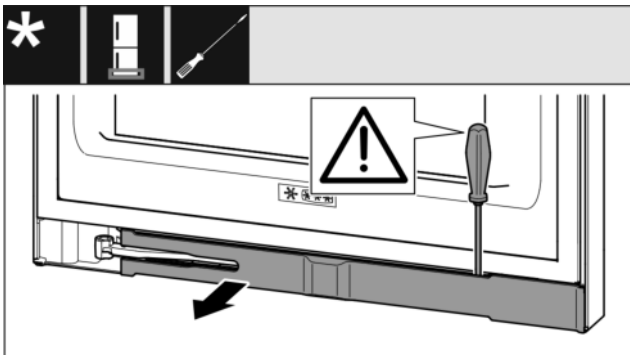


Fig. 13

- ▶ Open the bottom door.

NOTICE

Risk of damage!

If the door seal is damaged, the door may fail to close properly and the cooling will be inadequate.

- ▶ Do not damage the door seal with the screwdriver!

- ▶ Unlatch the panel with a slotted screwdriver and swivel it to one side Fig. 13 ().

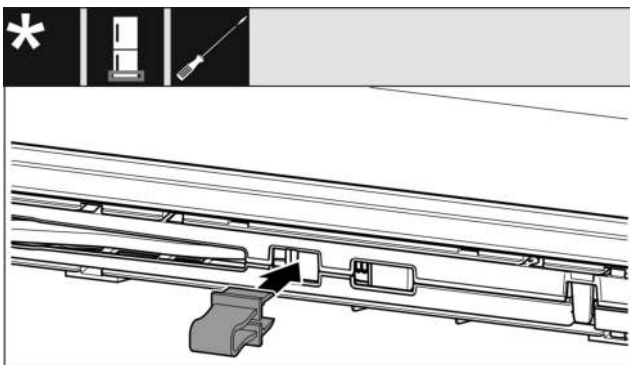


Fig. 14

CAUTION

Crushing hazard by joint folding up!

- ▶ Engage safety device.

- ▶ Engage the locking device in the opening Fig. 14 ().

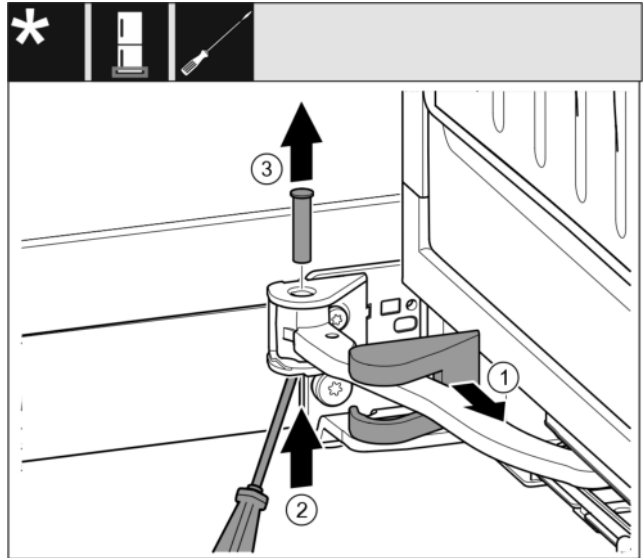


Fig. 15

- ▶ Remove the bearing bracket cover and push it along the hinge. Fig. 15 (1)
- ▶ Lift the bolt with a finger or screwdriver from below. Fig. 15 (2)
- ▶ Insert the screwdriver under the bolt head and pull it out. Fig. 15 (3)

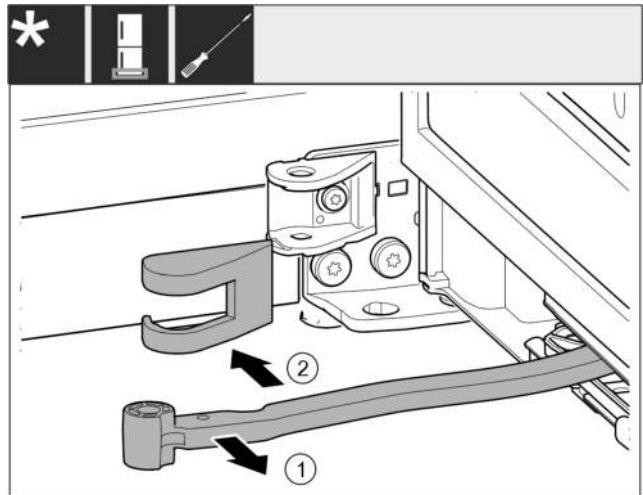


Fig. 16

- ▶ Turn the hinge in the direction of the door. Fig. 16 (1)
- ▶ Remove the bearing bracket cover. Fig. 16 (2)

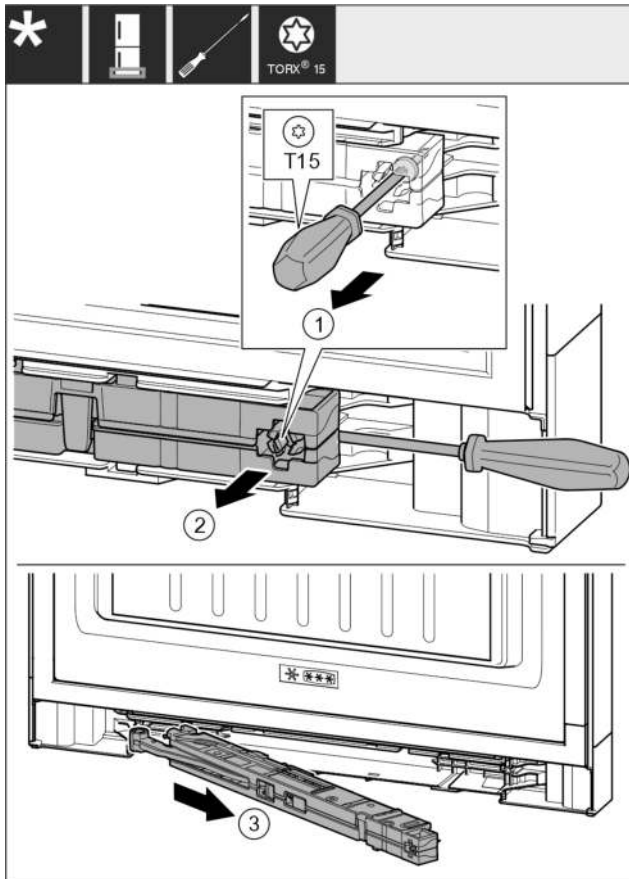


Fig. 17

- ▶ Undo the soft stop mechanism screw with a T15 screwdriver approx. 14 mm. Fig. 17 (1)
- ▶ Insert the screwdriver on the handle side behind the soft stop mechanism. Turn the unit forwards. Fig. 17 (2)
- ▶ Pull out the unit. Fig. 17 (3)
- ▶ Place the soft stop mechanism to one side.

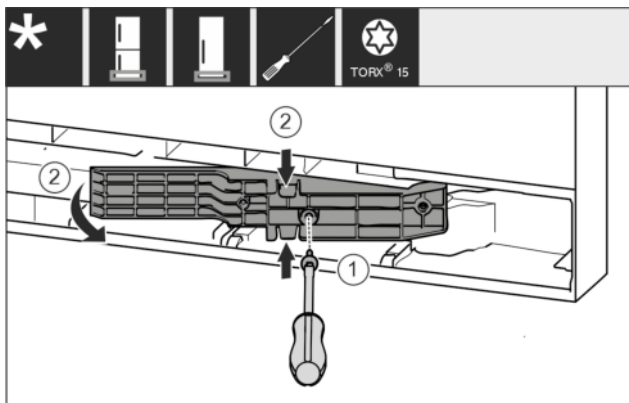


Fig. 18 *

- ▶ Loosen the screws with the T15 screwdriver. Fig. 18 (1)*
- ▶ Pull out the adapter. Fig. 18 (2)*

13.3 Undoing the cable connection

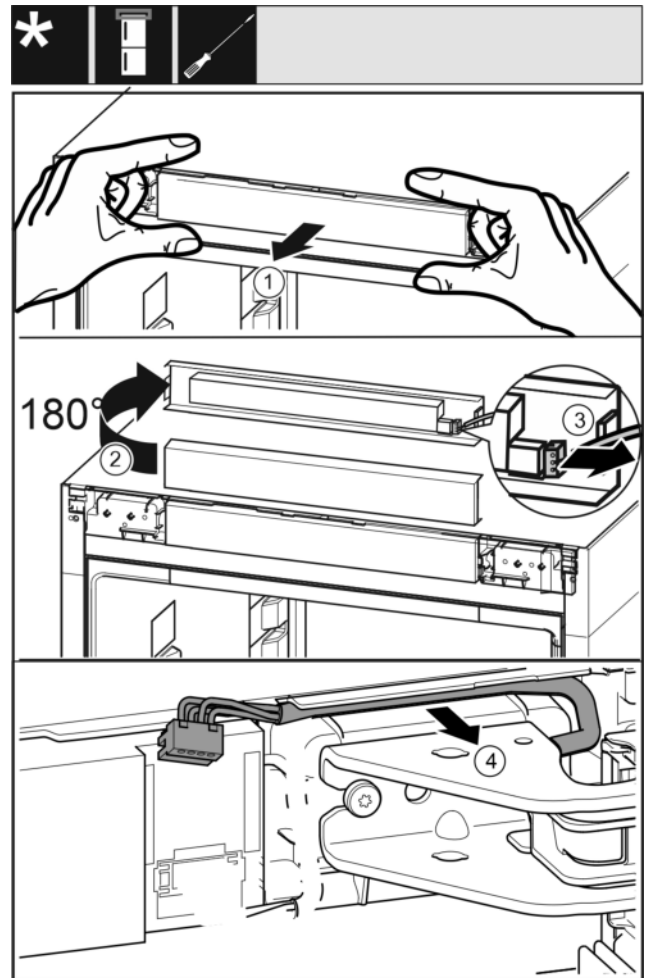


Fig. 19

- ▶ Pull out the control panel of the appliance to the front carefully. Fig. 19 (1)
- ▶ Turn the control panel upwards by 180°. Fig. 19 (2)
- ▶ Push the latching lug back and pull out the plug carefully. Fig. 19 (3)
- ▶ Carefully pull out the cable over the bearing bracket out of the guide. Fig. 19 (4)

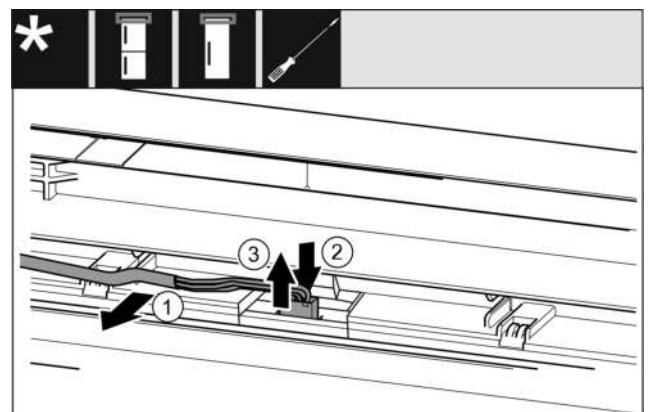


Fig. 20

- ▶ Carefully release the grey cable from the guide in the door. Fig. 20 (1)
- ▶ Push back the lug behind the plug. Fig. 20 (2)
- ▶ Pull out the plug carefully upwards. Fig. 20 (3)

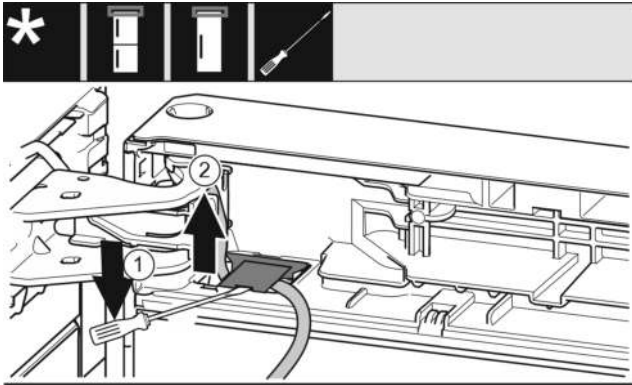


Fig. 21

- ▶ Lift up the cover with a screwdriver and pull it out. Fig. 21 (1)
- ▶ Pull out the cable. Fig. 21 (2)

13.4 Removing the top door

Note

- ▶ Remove any food from the door racks before removing the door, so that no food falls out.

For all appliances:

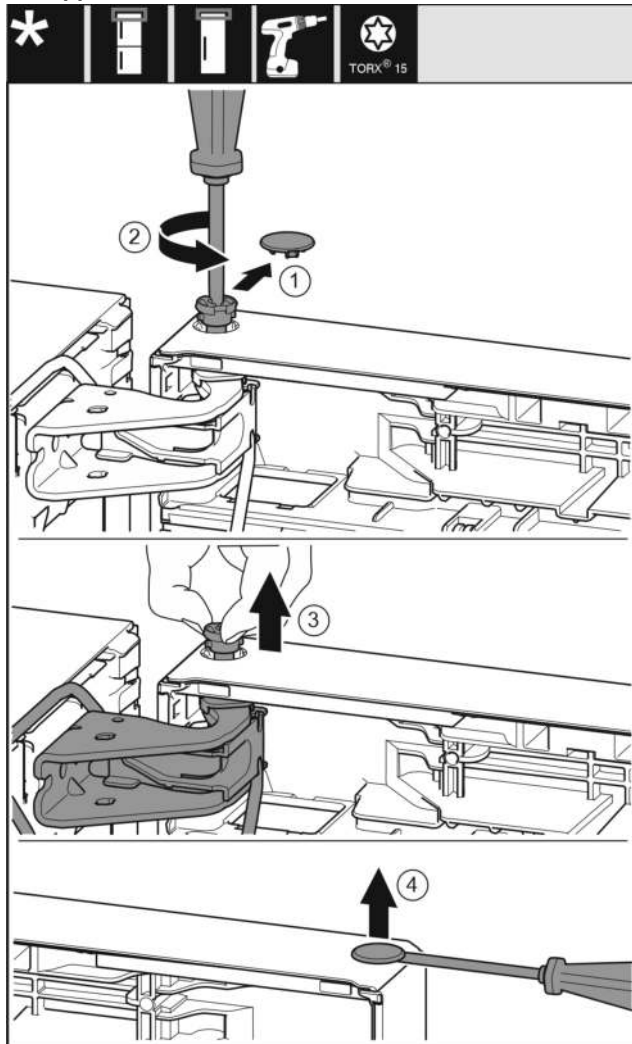


Fig. 22



CAUTION

Risk of injury if the door tips!

- ▶ Take good hold of the door.
- ▶ Set down the door carefully.

- ▶ Carefully remove the protective cover. Fig. 22 (1)
- ▶ Undo the bolt a little with a T15 screwdriver. Fig. 22 (2)
- ▶ Hold the door and remove the bolts with your fingers. Fig. 22 (3)
- ▶ Lift the door and place it to one side.
- ▶ Carefully lift the plugs out of the door bearing bush with a slotted screwdriver and pull them out. Fig. 22 (4)

13.5 Removing the bottom door

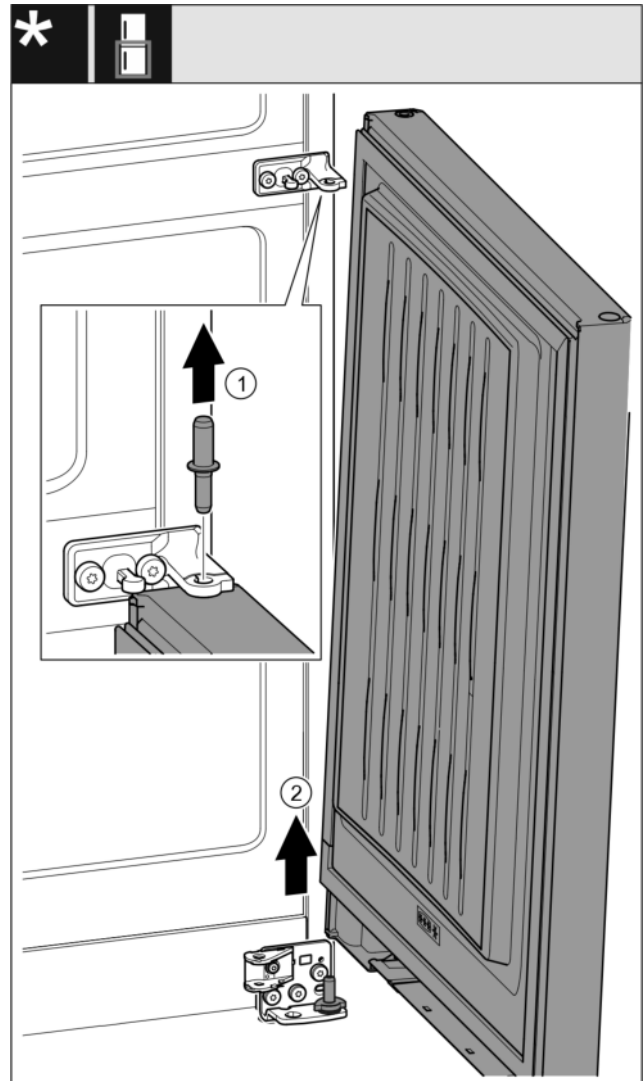


Fig. 23 *



CAUTION

Risk of injury if the door tips!

- ▶ Take good hold of the door.
- ▶ Set down the door carefully.

- ▶ Pull out the bolts upwards. Fig. 23 (1)*
- ▶ Swing the door out, pull it upwards and place it to one side. Fig. 23 (2)*

Door hinge change

13.6 Moving the upper bearing parts to the other side

For all appliances:

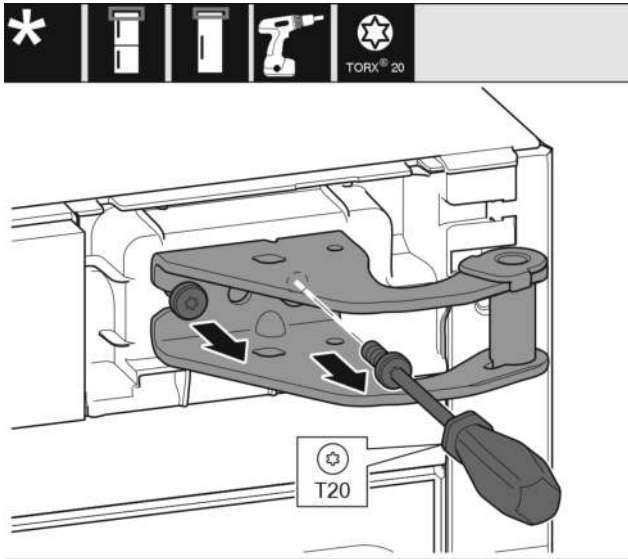


Fig. 24

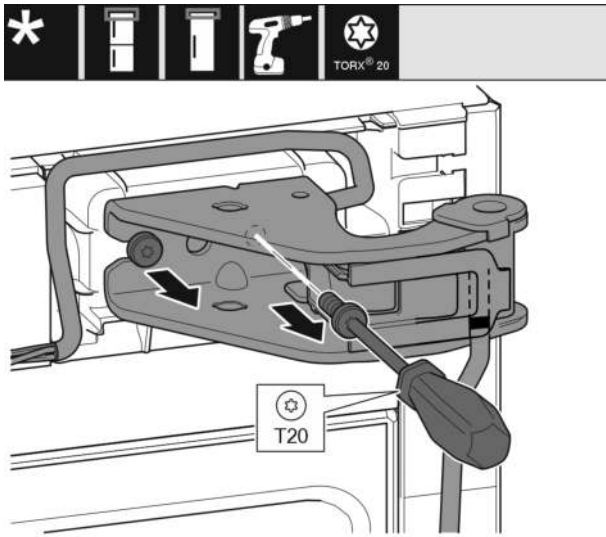


Fig. 25

- ▶ Remove both screws with a T20 screwdriver.
- ▶ Lift up and remove the bearing bracket.
- ▶ Lift up and remove the bearing bracket and cable.

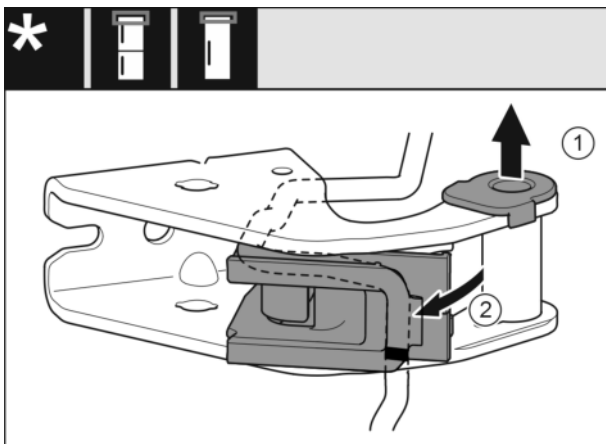


Fig. 26

- ▶ Pull the bearing bush out of the guide. Fig. 26 (1)
- ▶ Swing the cable holder out. Fig. 26 (2)

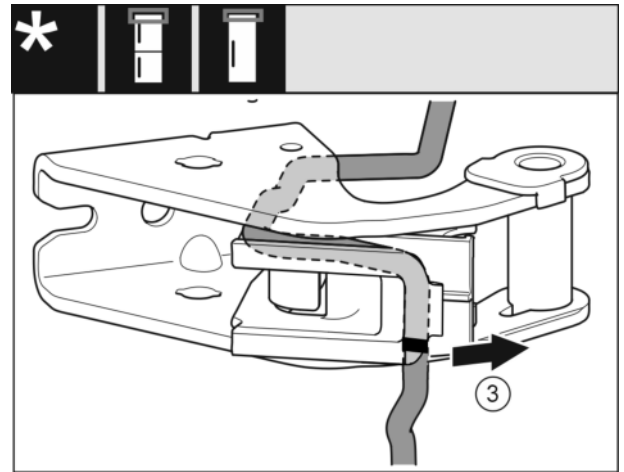


Fig. 27

- ▶ Remove the cable with the cable holder from the bearing bracket. Fig. 27 (3)

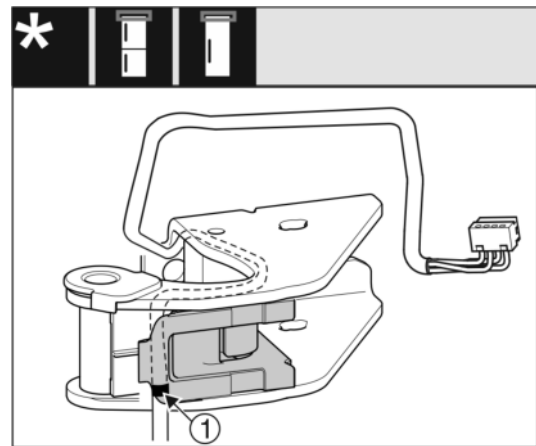


Fig. 28

- ▶ Insert the cable mirror-inverted in the upper groove of the cable holder.
- ▶ The middle marking must be positioned on the edge of the cable holder Fig. 28 (1).
- ▶ Swing in the cable holder.

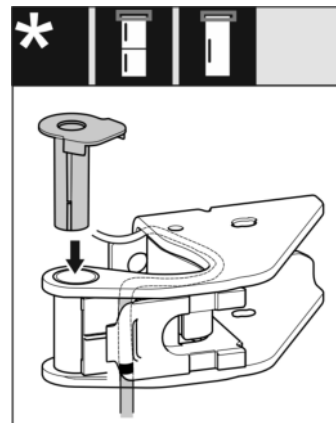


Fig. 29

- ▶ Insert the bearing bush from the other side and latch it into place.

NOTICE

Danger of cable crushing

- ▶ Pay attention to the markings when routing the cable. The cable end with the double marking must be routed into the door end piece.

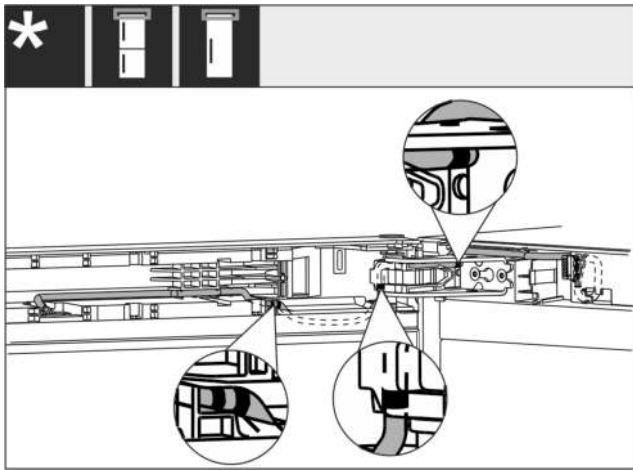


Fig. 30

After making the change, the cable routing must be as shown in the illustration.

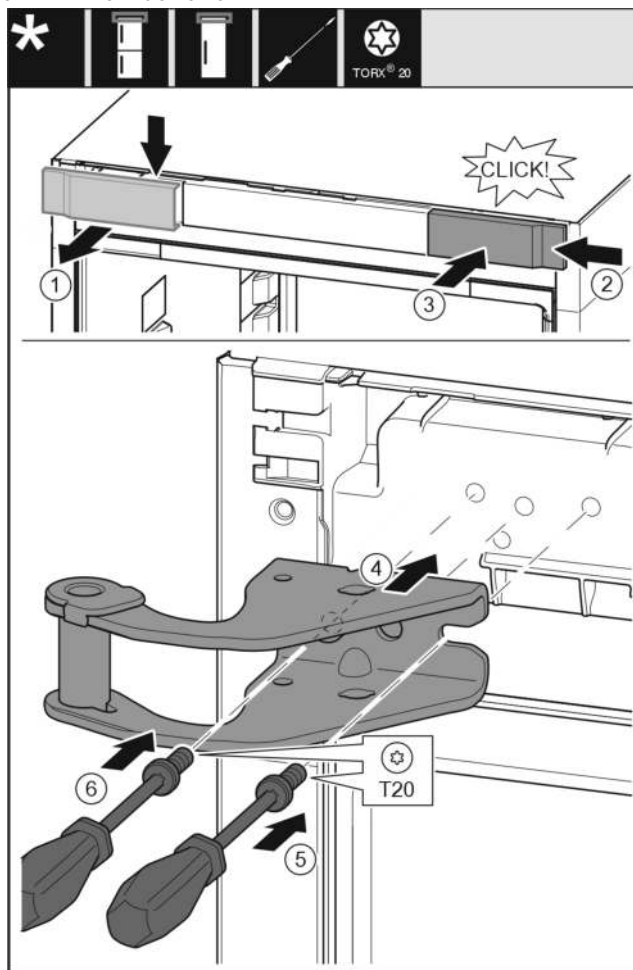


Fig. 31

- ▶ Take off the cover from above to the front. Fig. 31 (1)
- ▶ Rotate the cover 180° and clip onto the other side from the right. Fig. 31 (2)
- ▶ Latch the cover into place. Fig. 31 (3)
- ▶ Position the upper bearing bracket. Fig. 31 (4)
- ▶ Insert the screw with a T20 screwdriver and tighten it. Fig. 31 (5)
- ▶ Insert the screw with a T20 screwdriver and tighten it. Fig. 31 (6)

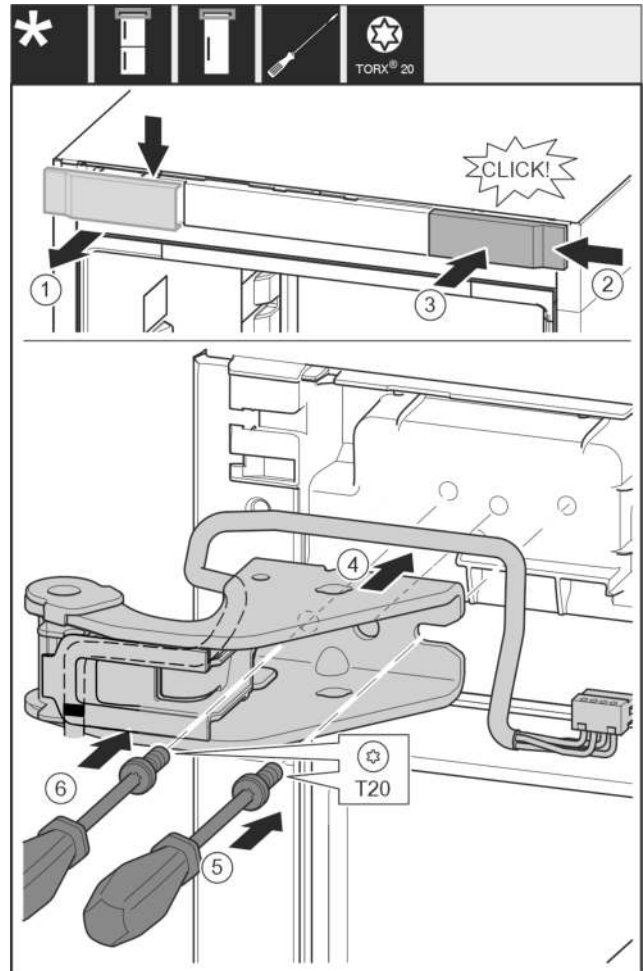


Fig. 32

- ▶ Take off the cover from above to the front. Fig. 32 (1)
- ▶ Rotate the cover 180° and clip onto the other side from the right. Fig. 32 (2)
- ▶ Latch the cover into place. Fig. 32 (3)
- ▶ Position the upper bearing bracket. Fig. 32 (4)
- ▶ Insert the screw with a T20 screwdriver and tighten it. Fig. 32 (5)
- ▶ Insert the screw with a T20 screwdriver and tighten it. Fig. 32 (6)

Door hinge change

13.7 Moving the central bearing parts to the other side

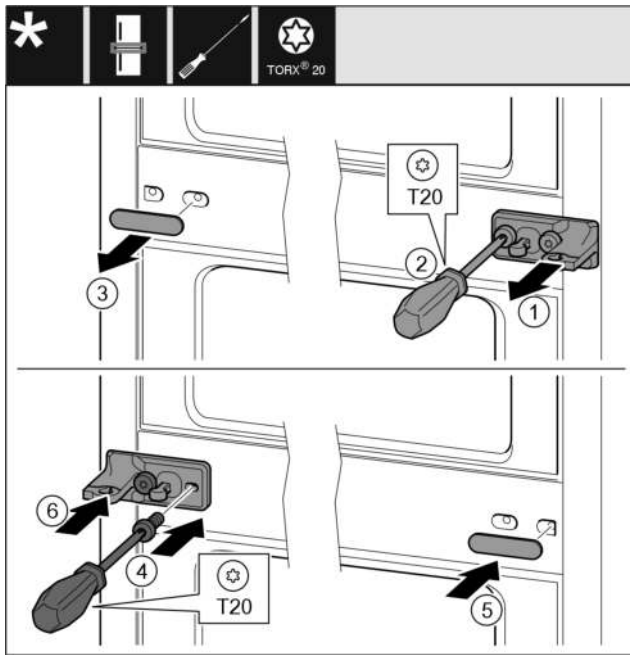


Fig. 33

- ▶ Take off the washer. Fig. 33 (1)
- ▶ Remove the screws with a T20 screwdriver. Fig. 33 (2)
- ▶ Take off the cover carefully. Fig. 33 (3)
- ▶ Screw the bearing bracket and the film rotated 180° firmly onto the other side. Fig. 33 (4)
- ▶ Attach the cover rotated 180° onto the other side. Fig. 33 (5)
- ▶ Push the washer on from the front. Fig. 33 (6)

13.8 Moving the lower bearing parts to the other side

For all appliances:

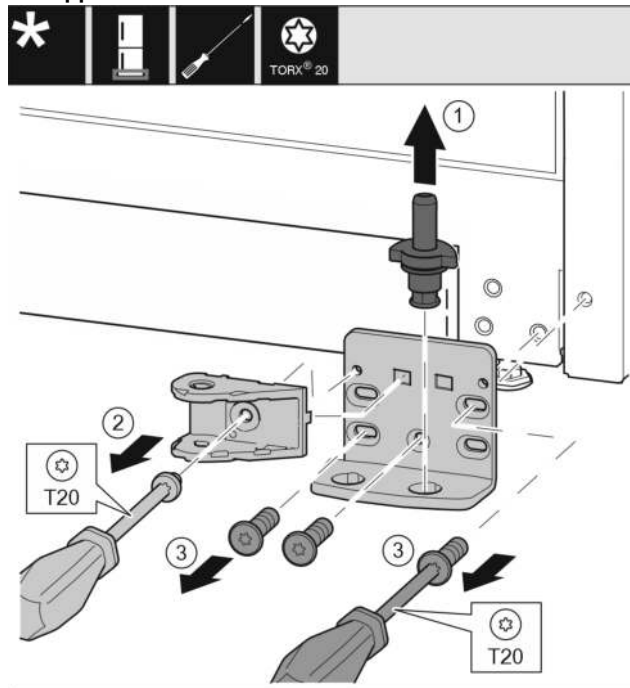


Fig. 34 *

- ▶ Lift the bearing pin completely upward and pull it out. Fig. 34 (1)*

- ▶ Take out the screw with a T20 screwdriver and take off the soft stop connection. Fig. 34 (2)
- ▶ Take out the screws with a T20 screwdriver and take off the bearing bracket. Fig. 34 (3)*

For all appliances:

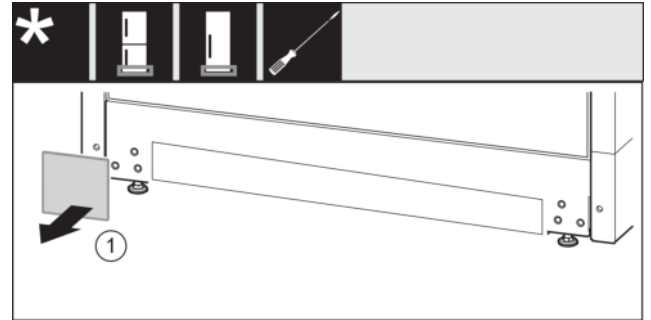


Fig. 35

- ▶ Remove the cover. Fig. 35 (1)

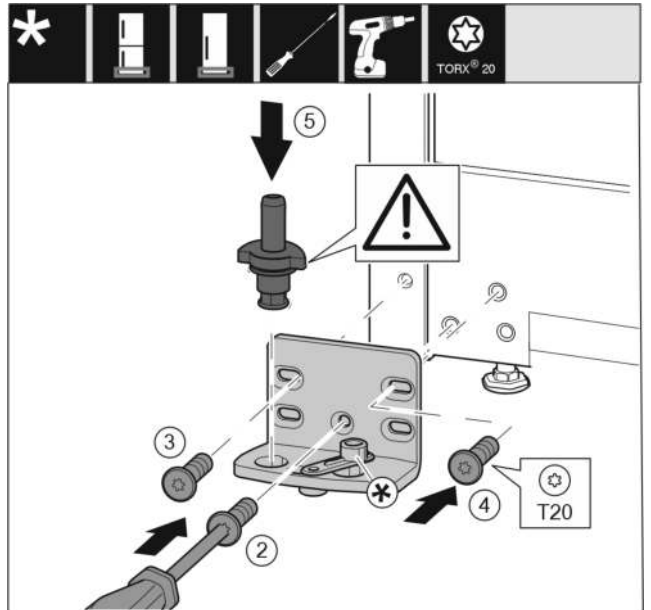


Fig. 36

- ▶ Place the bearing bracket on the other side and screw it on with a T20 screwdriver. Start with screw 2 at the bottom in the middle. Fig. 36 (2)
- ▶ Screw in screws 3 and 4 tightly. Fig. 36 (3,4)
- ▶ Insert the bearing pin completely. Make sure that the latching lug is pointing to the rear. Fig. 36 (5)
- ▶ Place the bearing bracket on the other side and screw it on with a T20 screwdriver. Start with screw 2 at the bottom in the middle. (2)
- ▶ Screw in screws 3 and 4 tightly. (3,4)
- ▶ Rotate the soft stop connection 180°. Screw it in with a T20 screwdriver on the other side of the bearing bracket. (5)
- ▶ Insert the bearing pin completely. Make sure that the latching lug is pointing to the rear. (6)

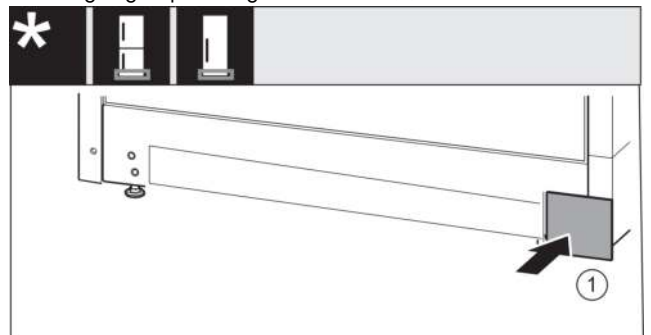


Fig. 37

- ▶ Put the cover back on the other side. *Fig. 37 (1)*

13.9 Moving the door bearing parts to the other side

Top of door

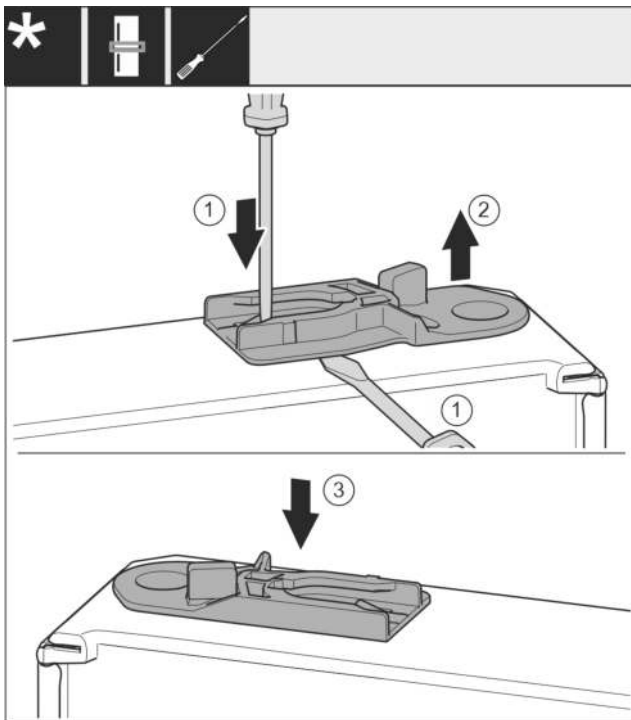


Fig. 38

- ▶ The bottom side of door faces upwards: Turn the door.
- ▶ Pull out the guide bush: Press the lug with a slotted screwdriver and, at the same time, insert the slotted screwdriver under the guide bush. *Fig. 38 (1, 2)*
- ▶ Slide the guide bush included in the scope of supply to the other side of the housing. *Fig. 38 (3)*
- ▶ The upper side of door faces upwards: Turn the door.

13.10 Moving the handles to the other side*

For all appliances:

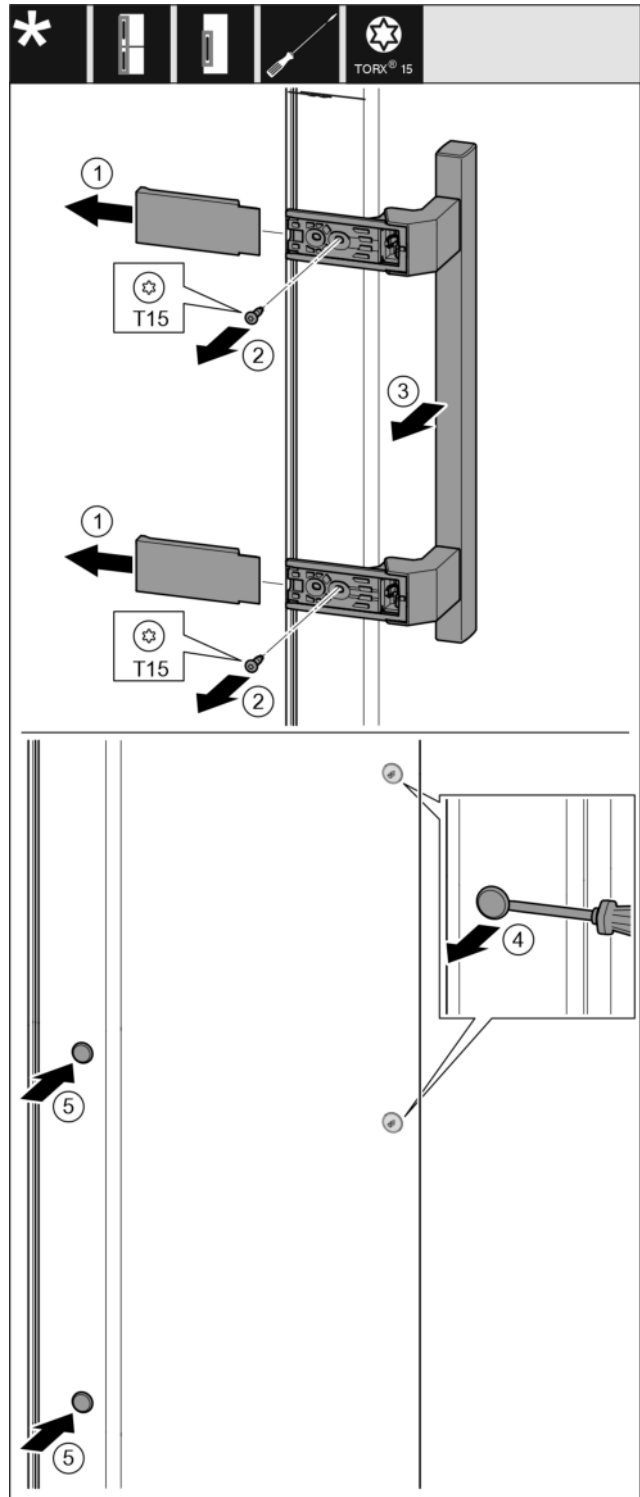


Fig. 39

- ▶ Pull off the cover. *Fig. 39 (1)*
- ▶ Remove the screws with a T15 screwdriver. *Fig. 39 (2)*
- ▶ Take off the handle. *Fig. 39 (3)*
- ▶ Carefully lift up the side plugs with a slotted screwdriver and pull them out. *Fig. 39 (4)*
- ▶ Insert the plugs again on the other side. *Fig. 39 (5)*

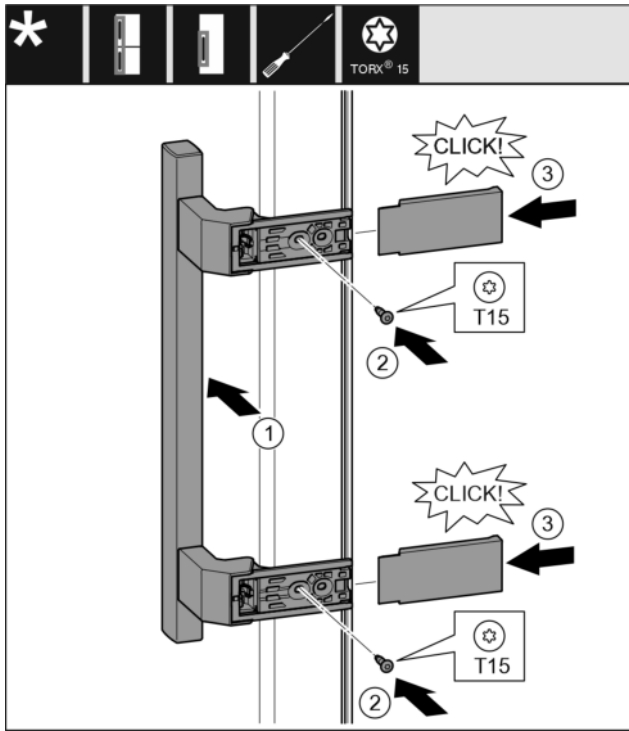


Fig. 40

- ▶ Position the handle on the other side. Fig. 40 (1)
- ▷ The screw holes must be exactly above each other.
- ▶ Tighten the screw with a T15 screwdriver. Fig. 40 (2)
- ▶ Position the covers on the side and push them on. Fig. 40 (3)
- ▷ Ensure that they latch into place.

13.11 Fitting the bottom door

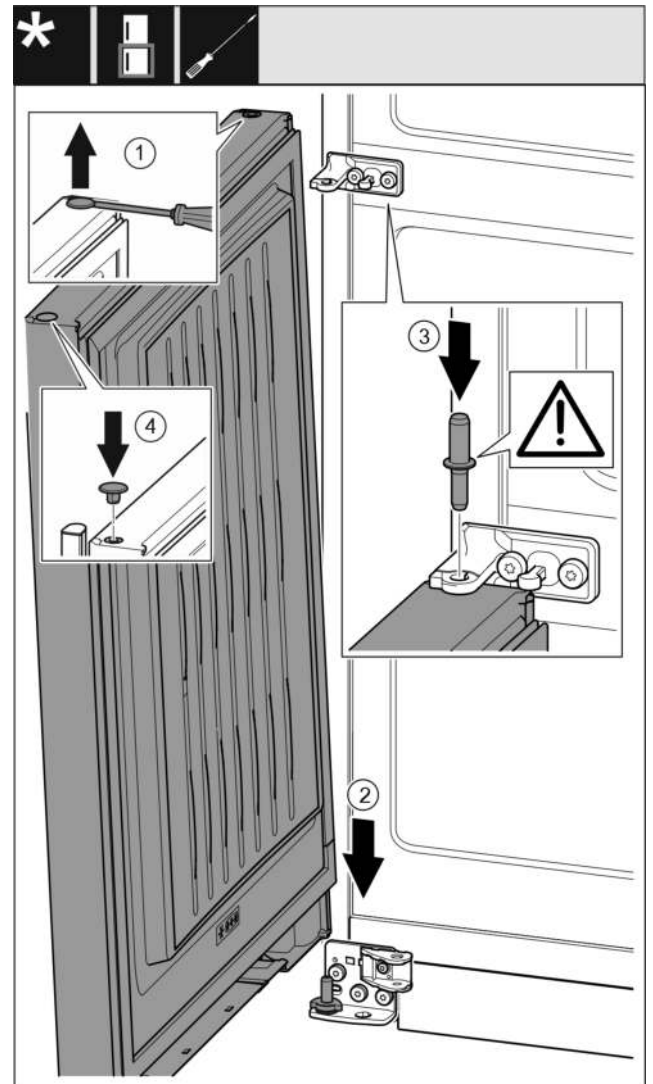


Fig. 41

- ▶ Carefully lift up the plugs with a slotted screwdriver and pull them out. Fig. 41 (1)
- ▶ Place the door onto the lower bearing pins from above. Fig. 41 (2)
- ▶ Insert the centre bearing pin through the centre bearing bracket into the lower door. Make sure that the latching lug is pointing to the rear. Fig. 41 (3)
- ▶ Insert the plugs again on the other side of the door. Fig. 41 (4)

13.12 Fitting the top door

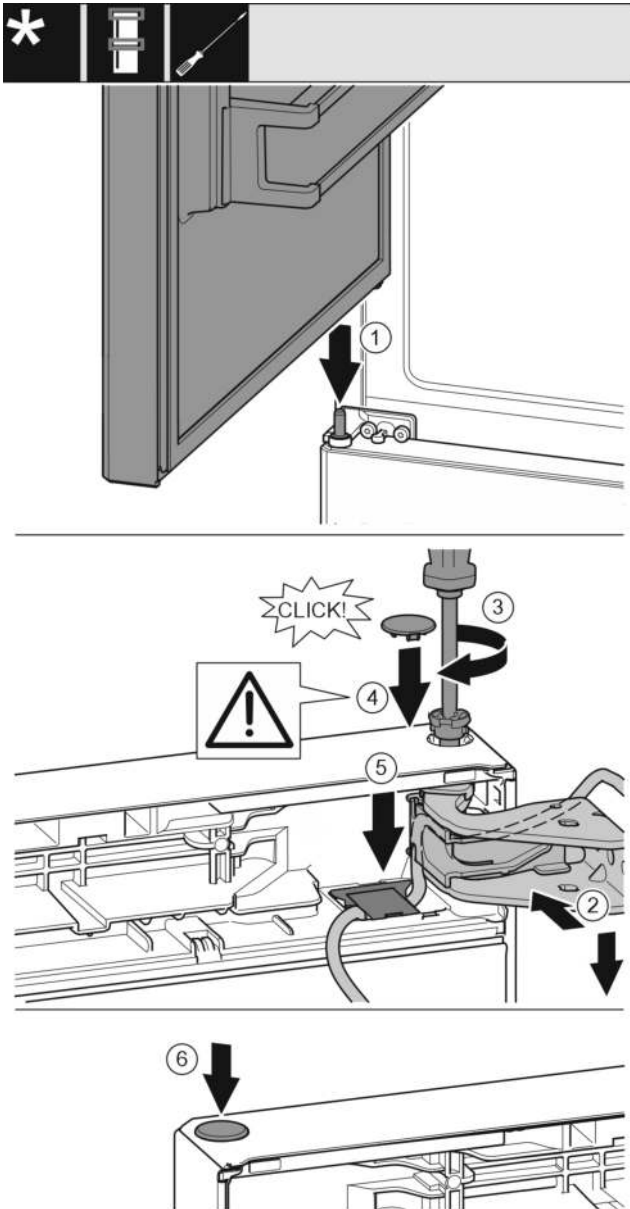


Fig. 42

- ▶ Place the upper door on the centre bearing pins Fig. 42 (1)
- ▶ Align the top of the door with opening in the bearing bracket. Fig. 42 (2)
- ▶ Insert the bolt and tighten with a T15 screwdriver. Fig. 42 (3)
- ▶ Fit the protective cover to protect the door: Insert the protective cover and check that it is flush to the door. If not, insert the bolt fully. Fig. 42 (4)
- ▶ Press the cover down until it latches into place. Fig. 42 (5)
- ▶ Insert the plugs. Fig. 42 (6)

NOTICE

Cable crushing

- ▶ The marking on the cable must lie centrally in the holder. The lug with the longer opening must point forwards.
- ▶ Place on the cover and press it down until it latches into place. Fig. 42 (5)
- ▶ Insert the plugs. Fig. 42 (6)

13.13 Fitting the cable connection

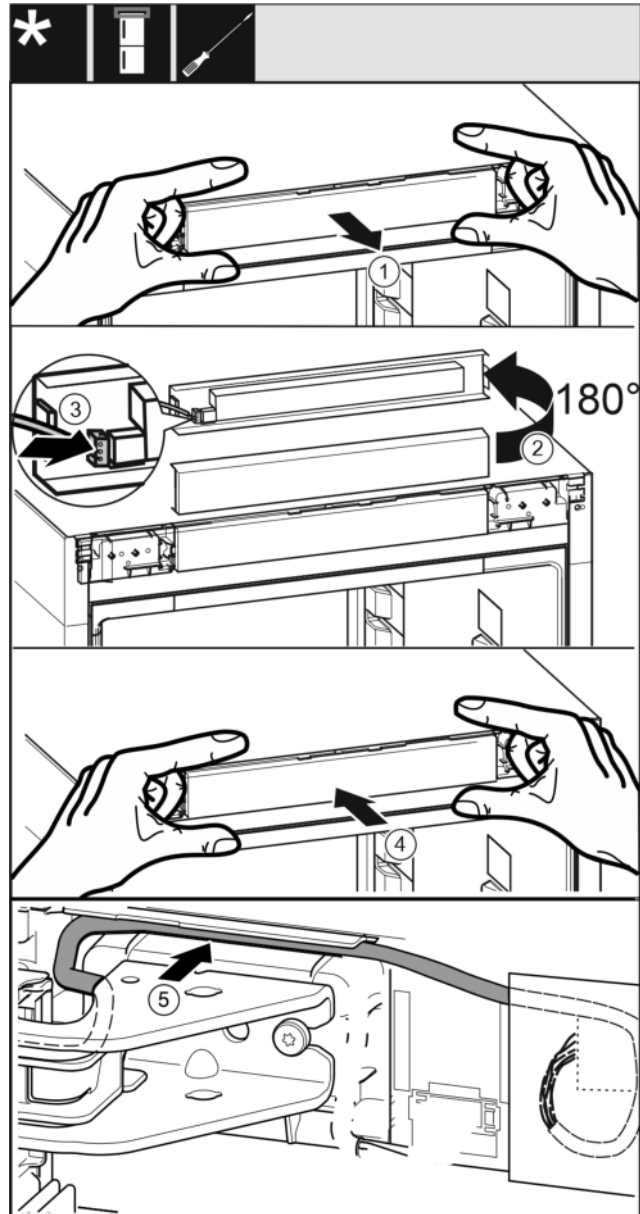
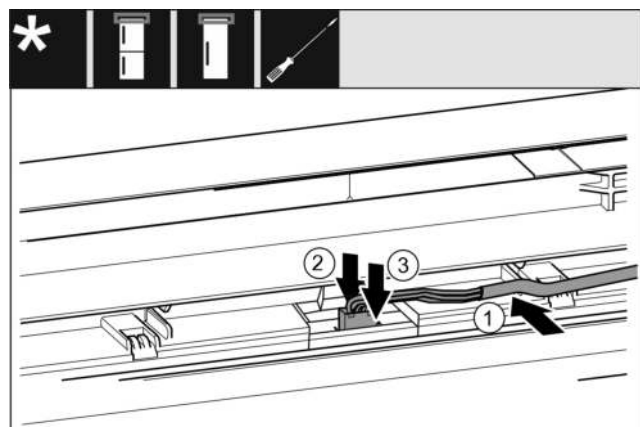


Fig. 43

- ▶ Take off the operating panel carefully. Fig. 43 (1)
- ▶ Turn the panel upwards through 180°. Fig. 43 (2)
- ▶ Engage the plug in the control panel. Fig. 43 (3)
- ▶ Latch the control panel back into the appliance. Fig. 43 (4)
- ▶ Carefully position the grey cable in the guide above the top bearing bracket. Fig. 43 (5)



Door hinge change

Fig. 44

- ▶ Insert the grey cable into the guide in the top door. Fig. 44 (1)
- ▶ Press back the latching lug. Fig. 44 (2)
- ▶ Engage the plug. Fig. 44 (3)
- ▶ Position the remaining cable length as a loop in the guide, if required.

13.14 Aligning the doors

For all appliances:



WARNING

Danger of injury due to door falling out!

If the bearing parts are not screwed on tightly enough, the door may fall out. This can result in serious injuries. In addition, the door may not close with the result that the appliance does not cool properly.

- ▶ Screw the bearing brackets on firmly with 4 Nm.
 - ▶ Check all screws and retighten them if necessary.
-
- ▶ Align the doors flush with the appliance housing using the two slots in the lower bearing bracket and centre bearing bracket if needed. To do this undo the middle screw in the bottom bearing bracket with the T20 tool supplied. Undo the remaining screws a little with the T20 tool or with a T20 screwdriver and align using the slotted holes. Undo the screws in the middle bearing bracket using the slotted holes.
 - ▶ Prop up the door: Take off the adjustable foot on the bearing bracket using the open-ended wrench SW10 until it comes into contact with the floor, then turn an additional 90°.

13.15 Fitting the bottom soft stop mechanism

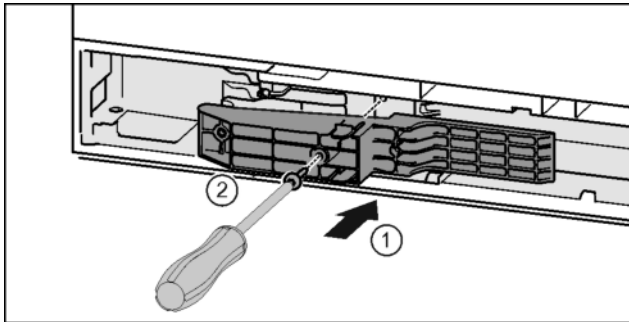


Fig. 45 *

- ▶ Install the adapter on the handle side in the slot. Fig. 45 (1)*
- ▶ Tighten the screw with a T15 screwdriver. Fig. 45 (2)*

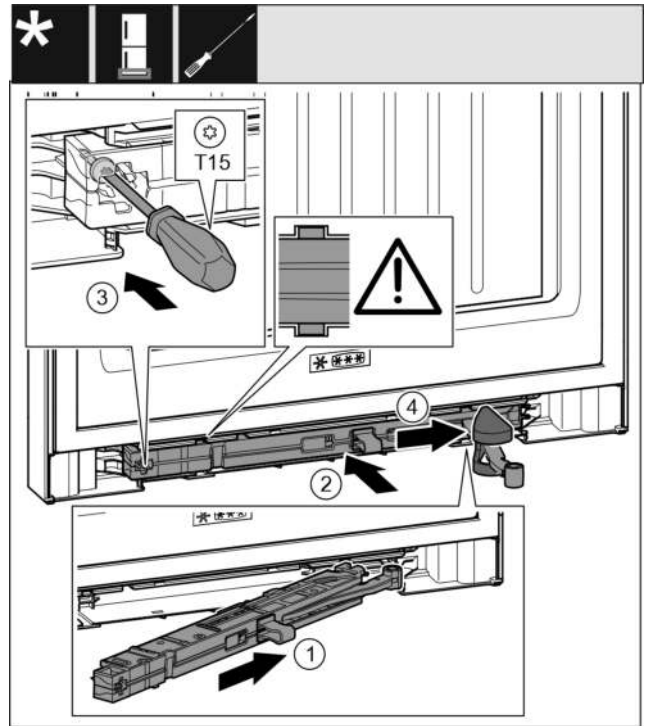


Fig. 46

- ▶ Slide the soft stop unit on the bearing bracket side at an angle into the slot as far as it will go. Fig. 46 (1)
- ▶ Slide the soft stop unit fully into the slot. Fig. 46 (2)
- ▶ The unit is positioned correctly when the rib on the soft stop unit is in the guide.
- ▶ Tighten the screw with a T15 screwdriver. Fig. 46 (3)
- ▶ Push the cover over the hinge. Fig. 46 (4)

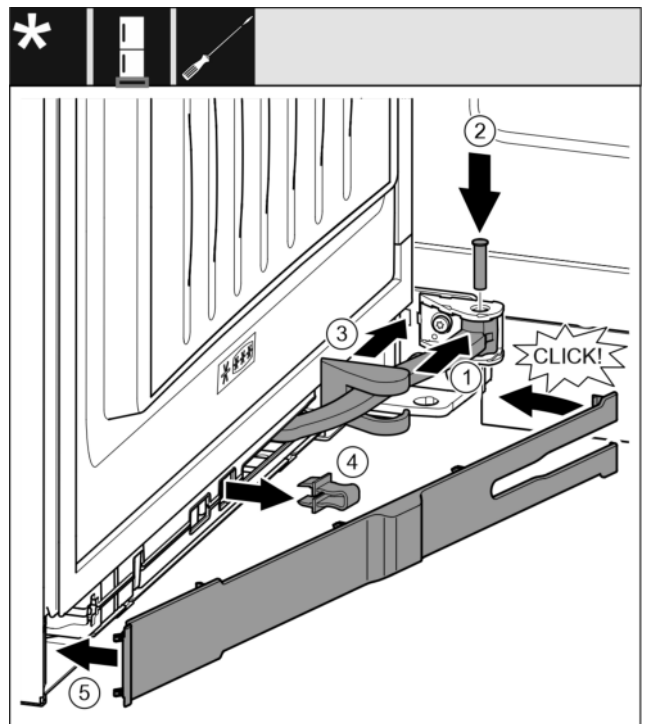


Fig. 47

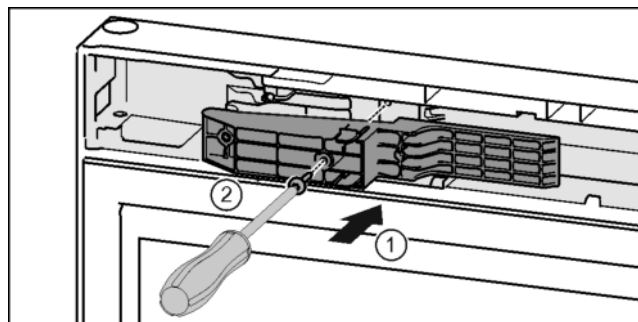
- The door is open 90°
- ▶ Turn the hinge in the mount. Fig. 47 (1)
- ▶ Insert the bolt with a T15 screwdriver in the mount and hinge. Make sure that the latching lug sits correctly in the groove. Fig. 47 (2)
- ▶ Push the bearing bracket cover along the hinge and fit it via the mount. Fig. 47 (3)
- ▶ Remove the locking device. Fig. 47 (4)

Connecting the appliance to the water supply*

- ▶ Position the panel on the handle and swing it in.
Fig. 47 (5)
- ▷ The panel is latched into place.
- ▶ Close the bottom door.

13.16 Fitting the top soft stop mechanism

For appliances with a soft stop mechanism:



*Fig. 48 **

- ▶ Install the adapter on the handle side in the slot.
*Fig. 48 (1)**
- ▶ Tighten the screw with a T15 screwdriver. *Fig. 48 (2)**

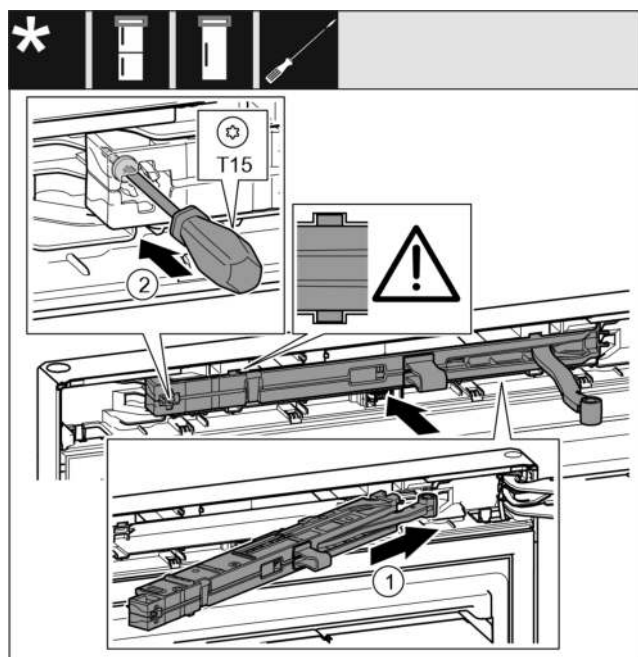


Fig. 49

- ▶ Slide the soft stop unit on the bearing bracket side at an angle into the slot as far as it will go. *Fig. 49 (1)*
- ▶ Slide the unit in completely.
- ▷ The unit is positioned correctly when the rib on the soft stop unit is in the guide in the housing.
- ▶ Tighten the screw with a T15 screwdriver. *Fig. 49 (2)*

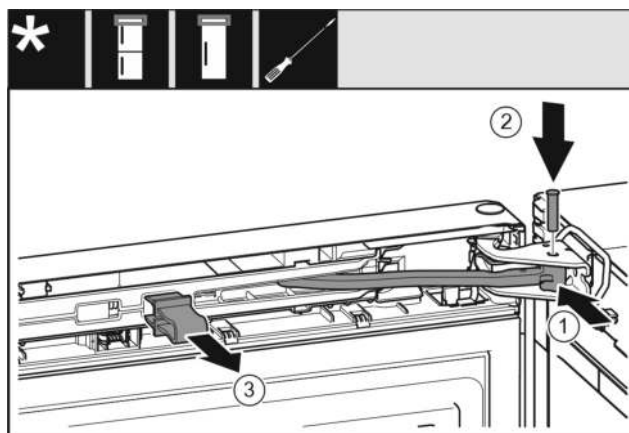


Fig. 50

- ▶ The door is open 90°.
- ▶ Turn the hinge in the bearing bracket. *Fig. 50 (1)*
- ▶ Insert the bolt in the bearing bracket and hinge. Make sure that the latching lug sits correctly in the groove. *Fig. 50 (2)*
- ▶ Remove the locking device. *Fig. 50 (3)*

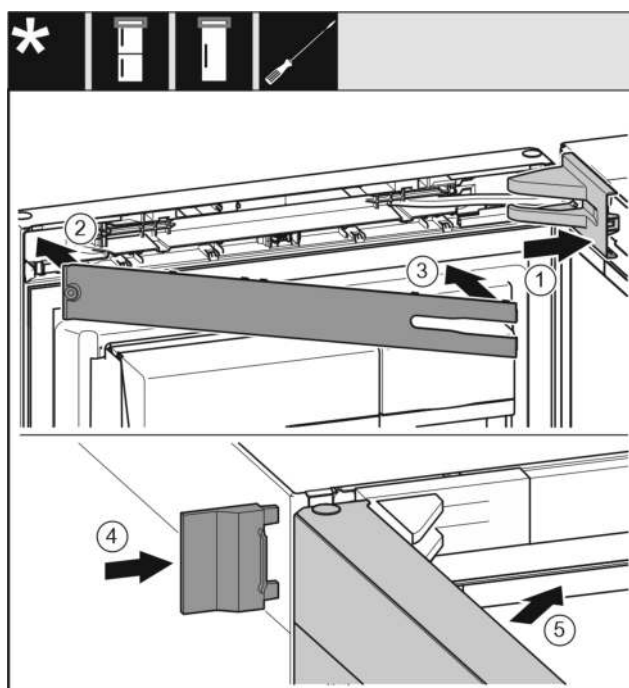


Fig. 51

- ▶ Position the bearing bracket cover and latch it in place. If necessary push it apart carefully. *Fig. 51 (1)*
- ▶ Position the panel. *Fig. 51 (2)*
- ▶ Swing in the panel and latch it into place. *Fig. 51 (3)*
- ▶ Slide on the outer cover. *Fig. 51 (4)*
- ▶ Close the upper door. *Fig. 51 (5)*

14 Connecting the appliance to the water supply*

Make sure that the following requirements are fulfilled:

- The dimensions for the water supply connection are known and complied with.
- The correct water pressure is maintained.
- Water is supplied to the appliance via a cold water pipe which can withstand the operating pressure and is connected to the drinking water supply.
- All equipment and devices used to supply water must comply with the regulations in force in the respective country.

Connecting the appliance to the water supply*

- ❑ The rear of appliance is accessible so that you can connect the appliance to the drinking water supply.
- ❑ The supplied hose is used. Old hoses have been disposed of.*
- ❑ The hose connector contains a filter with a seal.*
- ❑ There is a tap between the hose line and the domestic water connection so that you can turn off the water supply if necessary.*
- ❑ The tap is not directly behind the appliance and is easily accessible. This way, you can push the appliance as close as possible to the wall and can quickly turn off the tap if necessary.*



WARNING

Risk of electric shock from water!

- ▶ Before connecting to the water pipe: Disconnect the appliance from the mains.
- ▶ Before connecting to water supply lines: Shut off the water supply.
- ▶ Make sure that only qualified personnel connect the device to the drinking water supply.



WARNING

Risk of poisoning due to contaminated water!

- ▶ Only connect to the drinking water supply.

14.1 Connecting the hose*

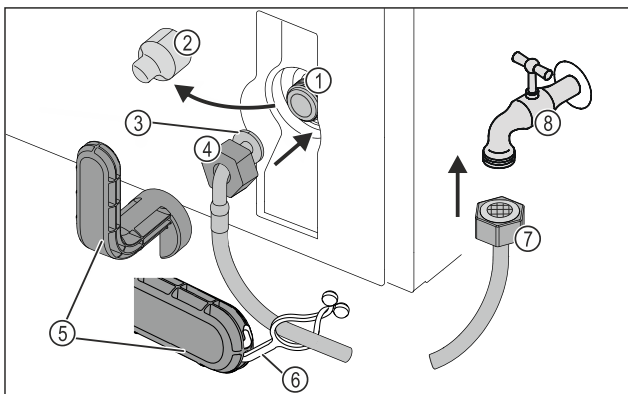


Fig. 52

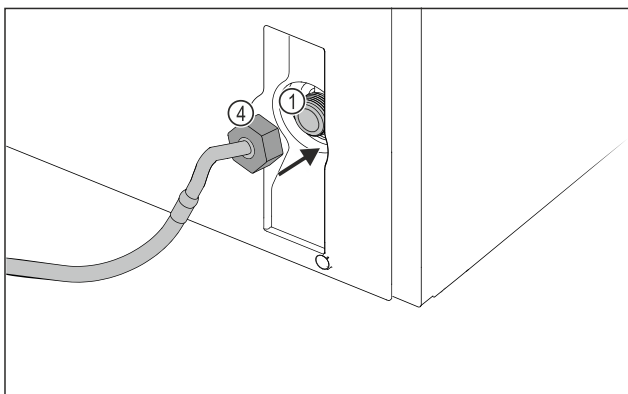


Fig. 52

- | | |
|---|-----------------------|
| (1) Solenoid valve: The solenoid valve is at the bottom on the back of the appliance. It has an R3/4 connecting thread. | (5) Tool |
| (2) Cover | (6) Lug |
| (3) Angled hose end | (7) Straight hose end |

(4) Nut

(8) Tap

NOTICE

Risk of damage from incorrect installation!

- ▶ Do not damage or kink the hose.
- ▶ Do not damage or kink the hose when setting up the appliance.

Connecting the hose to the appliance:

- ▶ Pull off the cover Fig. 52 (2).
- ▶ Push and hold the nut Fig. 52 (4) all the way over the angled hose end Fig. 52 (3).

NOTICE

The solenoid valve will not be tight if the thread is damaged! If the solenoid valve is not tight, water may leak out.

- ▶ Observe the following instructions for fitting the nut on the solenoid valve.
- ▶ Carefully position and hold the nut Fig. 52 (4) on the solenoid valve Fig. 52 (1).
- ▶ Screw the nut Fig. 52 (4) onto the thread by hand until it is firmly in place.



WARNING

Danger of cuts if the tool is broken!

- ▶ Only use the tool Fig. 52 (5) at room temperature.
- ▶ Tighten the nut Fig. 52 (4) clockwise with the tool Fig. 52 (5) until the maximum torque is reached and the tool Fig. 52 (5) no longer tightens.
- ▶ The hose is connected to the appliance.

Connecting the hose to the tap:

- ▶ Screw the nut Fig. 52 (7) onto the tap Fig. 52 (8).



WARNING

Danger of cuts if the tool is broken!

- ▶ Only use the tool Fig. 52 (5) at room temperature.
- ▶ Tighten the nut Fig. 52 (7) clockwise with the tool Fig. 52 (5) until the maximum torque is reached and the tool Fig. 52 (5) no longer tightens.
- ▶ Hook the lug Fig. 52 (6) into the tool Fig. 52 (5).
- ▶ Fasten the lug Fig. 52 (6) to keep it on the hose.
- ▶ The hose is connected to the tap.

14.2 Checking the water system

Before you completely install the appliance, Liebherr recommends checking the water system for leaks.

- ▶ Put in the InfinitySpring water tank. (see 15 Water tank*)
- ▶ Put in the InfinitySpring water filter. (see 16 Water filter*)
- ▶ Slowly turn on the tap.*
- ▶ Check the hose, water feed and connections for leaks.
- ▶ The water system has now been checked for leaks.
- ▶ The water system is not leaking: You can install up the appliance completely.

Note

InfinitySpring: Before the first use, you must put the InfinitySpring into operation. To do this you must bleed and clean the water system. (see Quick Start Guide or operating instructions)*

IceMaker: Before the first use, you must clean the IceMaker. (see Quick Start Guide or operating instructions)*

15 Water tank*

Depending on your model, the InfinitySpring water tank is behind the lowest drawer in the fridge or BioFresh compartment

15.1 Inserting the water tank

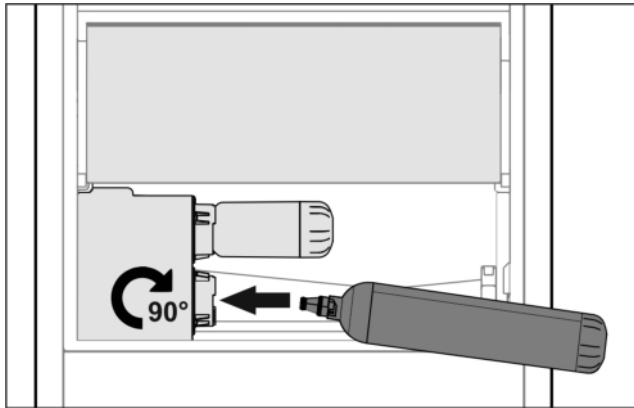


Fig. 53

- ▶ Remove the drawer compartment.
- ▶ Insert the water tank and rotate approx. 90° clockwise until it clicks in.
- ▶ Check that the tank is sealed and no water leaks out.
- ▶ Insert the drawer compartment.
- ▶ Vent the water system (see the Installation Instructions, Water Connection)

Instead of the water filter you can insert an additional water tank.

Note

You can purchase this water tank as an optional extra.

16 Water filter*

Depending on your model, the water filter is behind the lowest drawer in the fridge or BioFresh compartment.

It filters out deposits in the water and reduces the taste of chlorine.

- Replace the water filter at least every 6 months, or if there is a significant reduction in the flow rate.
- The water filter contains carbon and can be disposed of with the regular household waste.

Note

Water filters are available from the Liebherr-Hausgeräte store at home.liebherr.com/shop/de/deu/zubehor.html.

16.1 Inserting the water filter

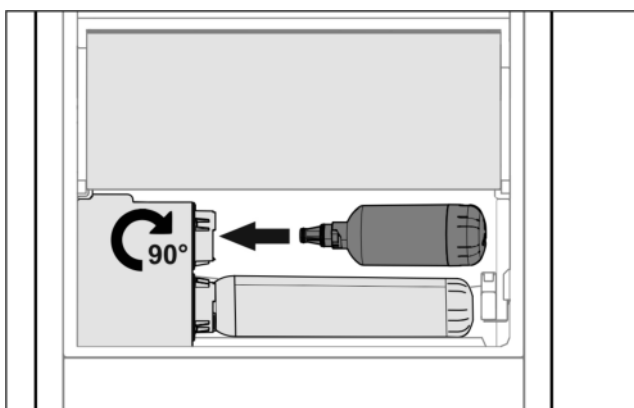


Fig. 54

- ▶ Remove the drawer compartment.
- ▶ Insert the water filter and rotate approx. 90° clockwise until it clicks in.
- ▶ Check that the filter is sealed and no water leaks out.
- ▶ Insert the drawer compartment.



CAUTION

New water filters can contain suspended matter.

- ▶ Draw 3 l of water from the InfinitySpring and dispose of it.

▷ The water filter is now ready for use.

17 Connecting device



WARNING

Danger of fire due to incorrect connection!

Burns.

Damage to the appliance.

- ▶ Do not use an extension cable.
- ▶ Do not use distributor blocks.

NOTICE

Danger of damage to incorrect connection!

Damage to the appliance.

- ▶ Do not connect the appliance to a stand-alone inverter, e.g. solar power systems and petrol generators.

Note

Only use the supplied mains cable.

- ▶ A longer mains cable can be ordered from Customer Service.

Ensure that the following conditions are met:

- The type of current and voltage at the installation site match the information on the serial tag .
- The socket is earthed according to the regulations and fused.
- The fuse tripping current is between 10 and 16 A.
- The socket is easily accessible.
- The socket is not located behind the appliance but in areas a or b (a, b, c).
- ▶ Check the electrical connection.
- ▶ Insert the appliance plug (G) into the back of the appliance. Ensure that they latch into place.
- ▶ Connect the mains plug to the power supply.
- ▷ The Liebherr logo appears on the screen.
- ▷ The display switches to the standby symbol.



home.liebherr.com/fridge-manuals

EN fridge/freezer

Issue date: 20240410

Part number index: 7086339-01

Liebherr-Hausgeräte Marica EOOD
Bezirk Plovdiv
4202 Radinovo
Bulgarien