



11201







LEGO.com/sustainable-packaging



FR
DONNEZ
OU
RECYCLEZ

 OU  OU 

ASSOCIATION MAGASIN DÉCHÈTERIE

Adresses sur quefairedemesdechets.fr



Q LEGO® Builder

BUILDER



Apple and the Apple logo are trademarks of Apple Inc., registered in the U.S. and other countries and regions. App Store is a service mark of Apple Inc. Google Play and the Google Play logo are trademarks of Google LLC. Tencent and the Tencent logo are trademarks of Tencent Inc.

Q [LEGO.com/devicecheck](https://www.lego.com/devicecheck)

EN Ask parents' permission before going online | **DE** Eltern um Erlaubnis bitten, bevor du online gehst | **FR** Demande l'autorisation d'un parent avant d'aller en ligne | **IT** Chiedi il permesso ai tuoi genitori prima di andare online | **ES** Pídeles permiso a tus papás antes de conectarte a Internet | **PT** Pede autorização aos pais antes de acederes online | **ZH** 上网前应先征得父母的同意 | **PL** Poproś rodziców o zgodę, zanim wejdiesz do Internetu | **CS** Než půjdeš na internet, požádej rodiče o svolení | **SK** Skôr než pôjdeš na internet, vypýtaj si povolenie od rodičov | **HU** Kérj szülői engedélyt, mielőtt online csatlakoznál! | **UA** Запитуйте дозволу батьків, перш ніж користуватися інтернетом | **RO** Cere permisiunea părinților înainte de a te conecta online | **BG** Поискайте разрешение от родител, преди да влезете онлайн | **LV** Pirms došanās tiešsaistē palūdz atļauju vecākiem | **ET** Enne Interneti kasutamist küsi vanematelt luba | **LT** Prieš prisijungdami prie interneto, atsiklauskite tėvų



EXPLORE LEGO® BLUEY DIGITAL GAMES



EXPLORE LEGO® BLUEY DIGITAL GAMES
ENTDECKE DIE DIGITALEN LEGO® BLUEY SPIELE
DÉCOUVREZ LES JEUX NUMÉRIQUES LEGO® BLUEY
ESPLORA I GIOCHI DIGITALI LEGO® BLUEY
EXPLORA LOS JUEGOS DIGITALES LEGO® BLUEY
EXPLORA OS JOGOS DIGITAIS LEGO® BLUEY

探索乐高®布鲁伊数字游戏

POZNAJ GRY CYFROWE Z SERII LEGO® BLUEY
PROZKOUMEJTE DIGITÁLNI HRY LEGO® BLUEY
PRESKÚMAJTE DIGITÁLNE HRY LEGO® BLUEY
FEDEZD FEL A DIGITÁLIS A LEGO® BLUEY
JÁTÉKOKAT!

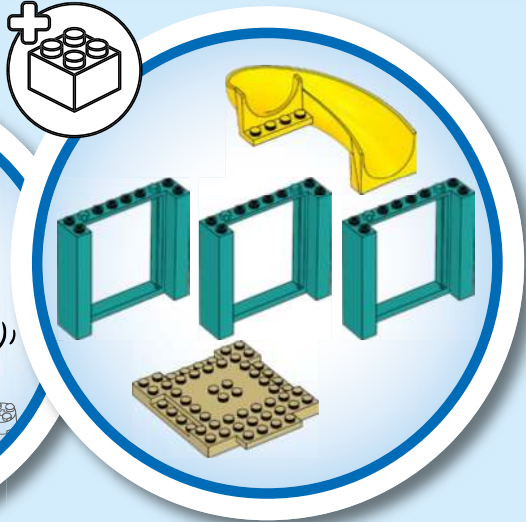
ВІДКРИЙТЕ ДЛЯ СЕБЕ ЦИФРОВІ ІГРИ
LEGO® BLUEY

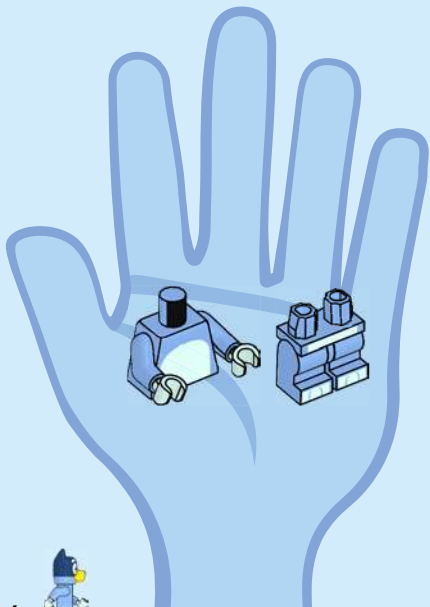
EXPLOREAZĂ JOCURILE DIGITALE LEGO® BLUEY
OTKRIYTE DIGITALNIHTE IGRY LEGO® BLUEY
IZPĚTI LEGO® BLUEY DIGITÁLĚS SPĚLES
AVASTA LEGO® BLUEY DIGITÁLSEÐ MÄNGUD
ATRAKITE SKAITMENINIUS LEGO® BLUEY
ŽAIDIMUS

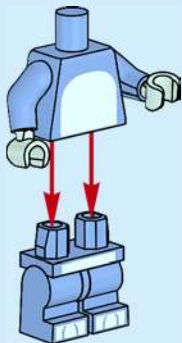
4+

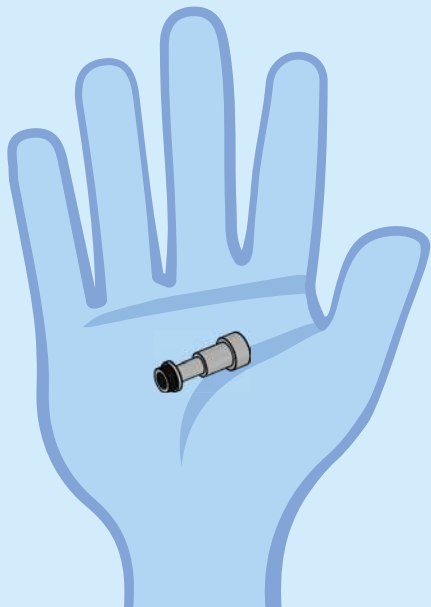
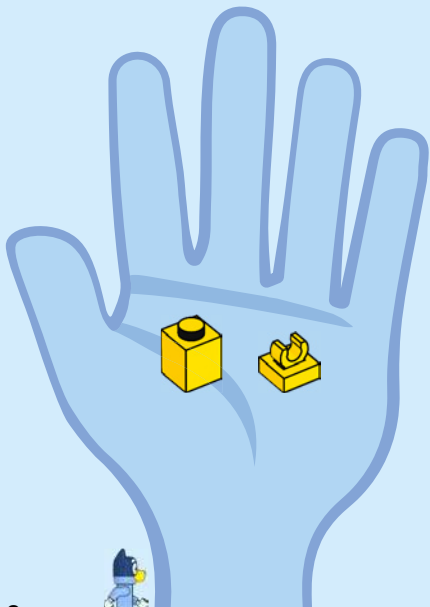


Apple and the Apple logo are trademarks of Apple Inc., registered in the U.S. and other countries and regions. App Store is a service mark of Apple Inc. Google Play and the Google Play logo are trademarks of Google LLC.

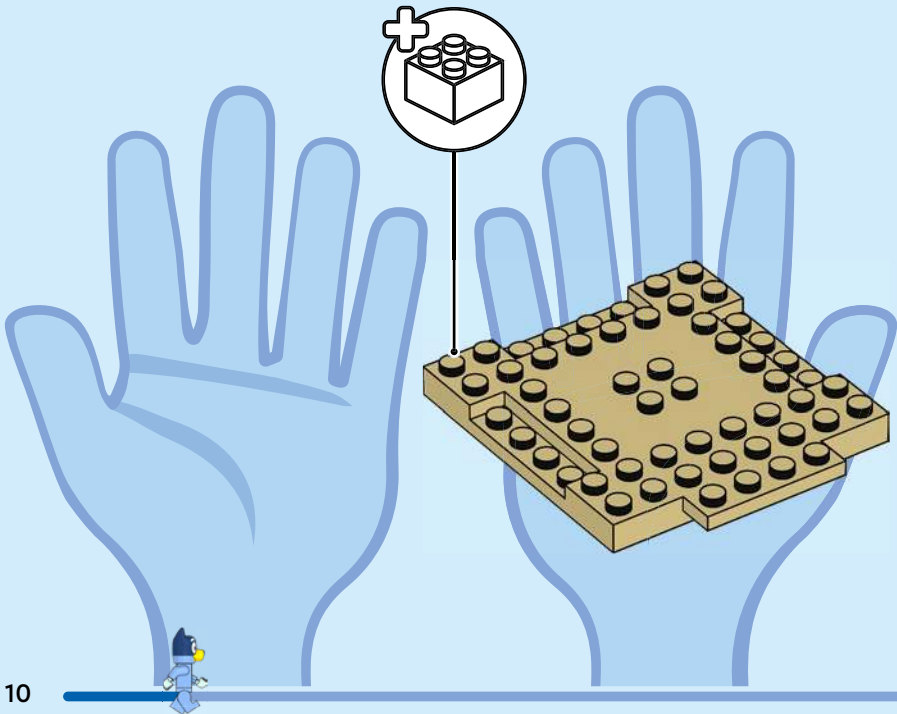


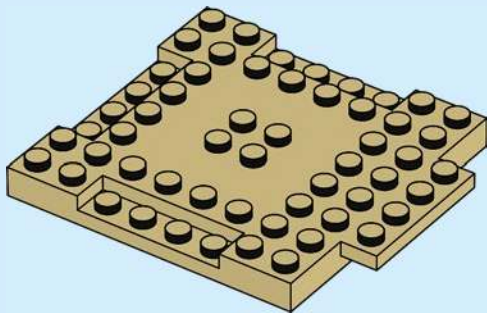


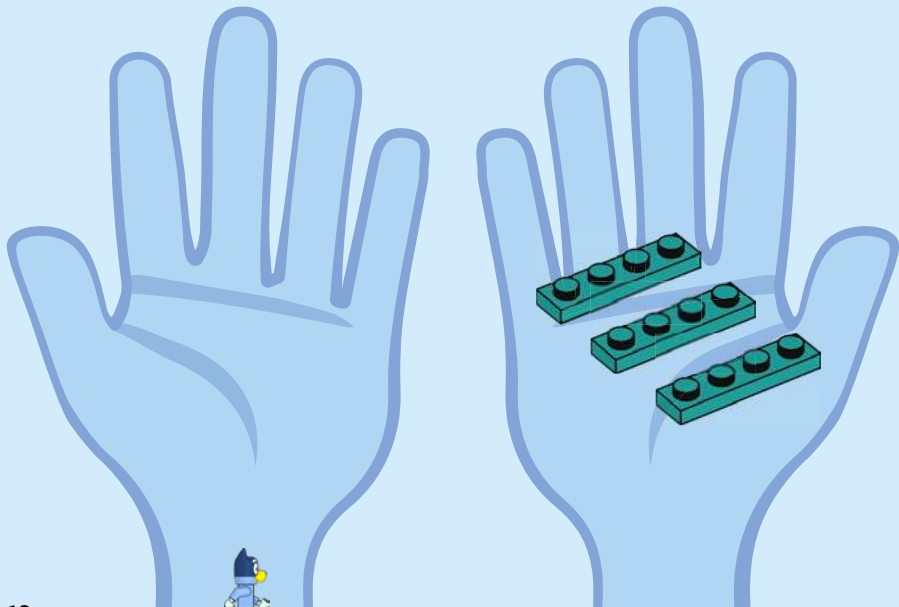


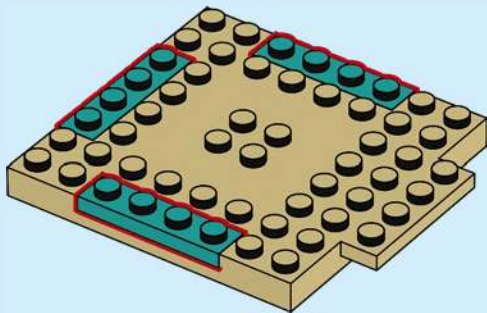


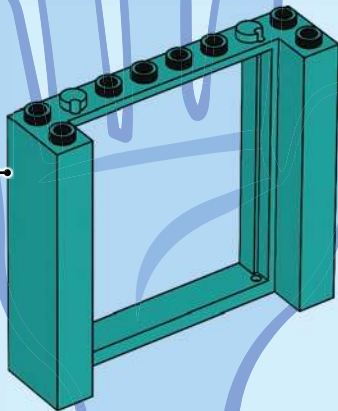
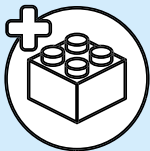


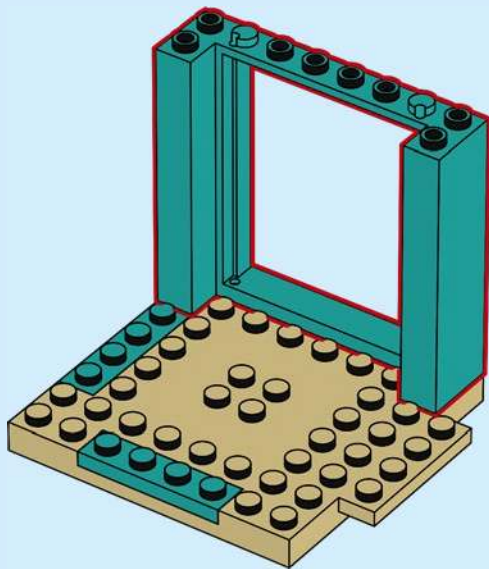


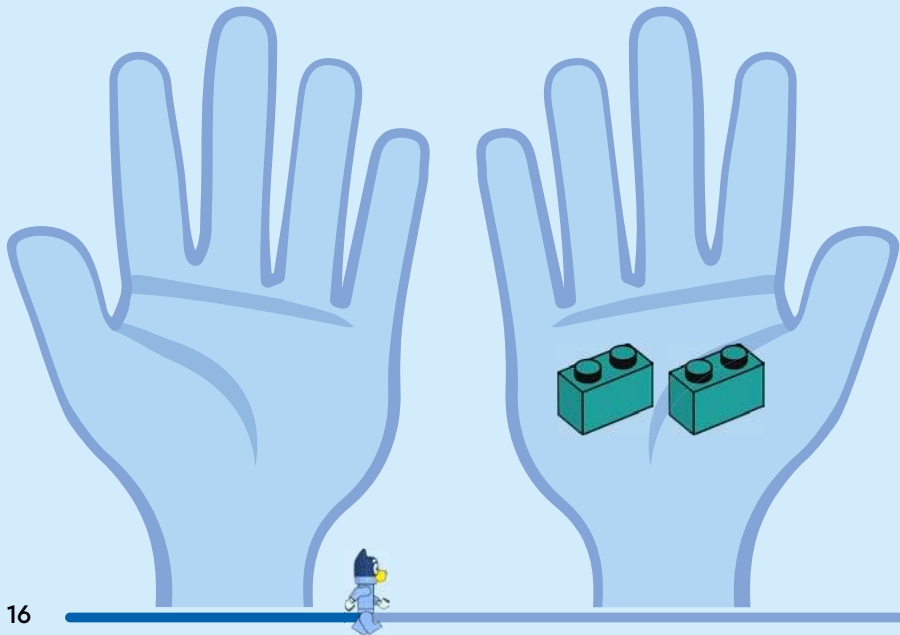


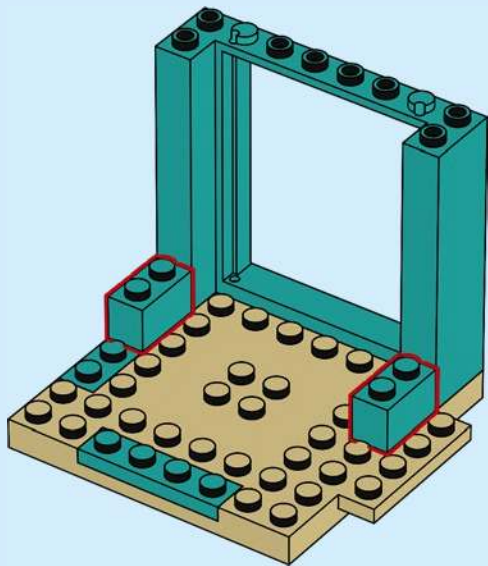


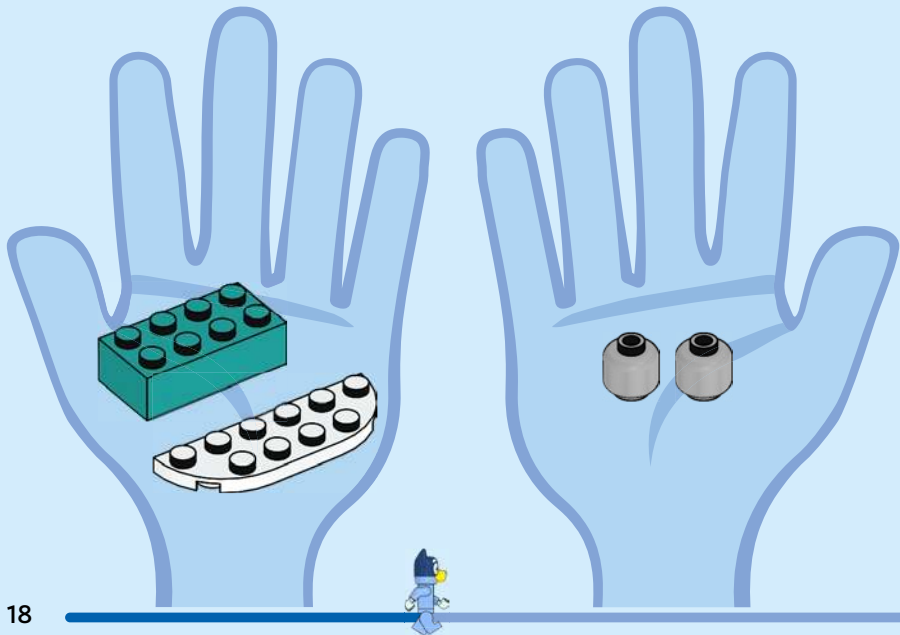


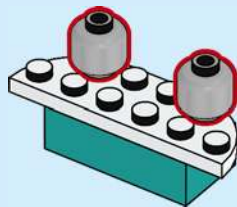
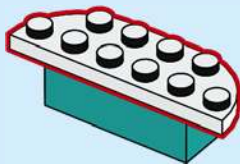
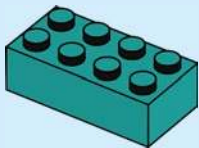


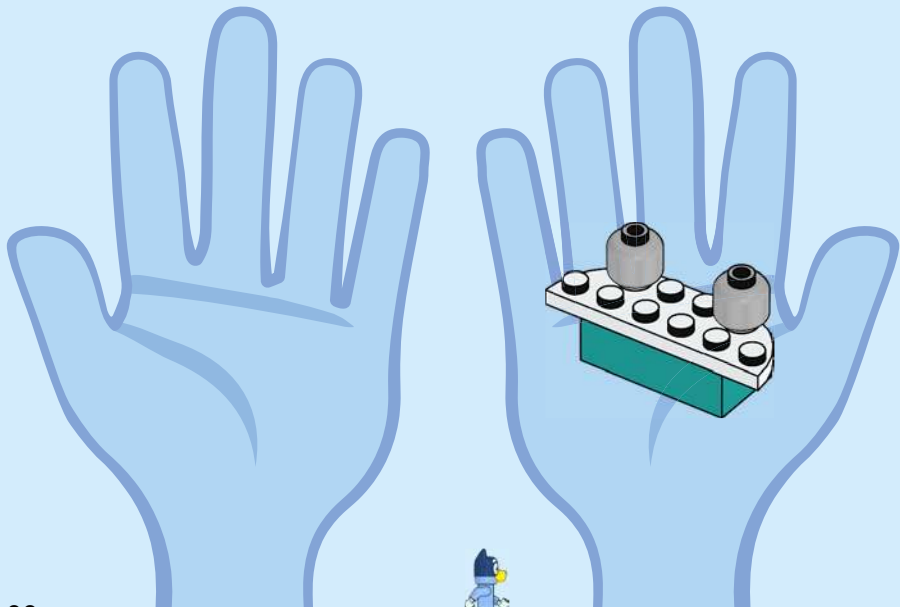


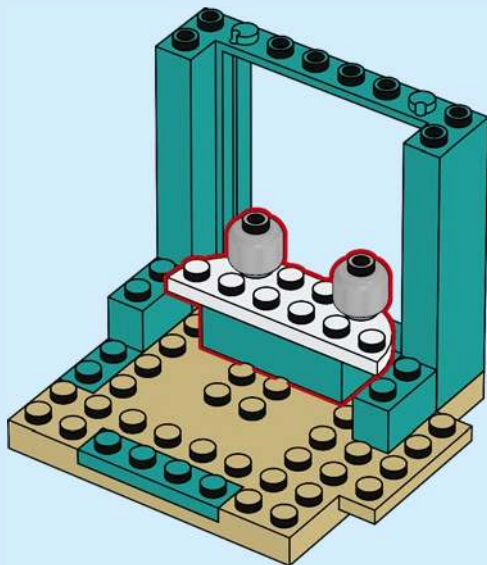


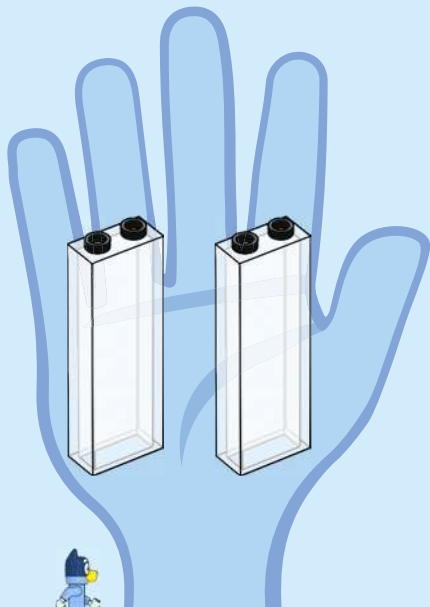


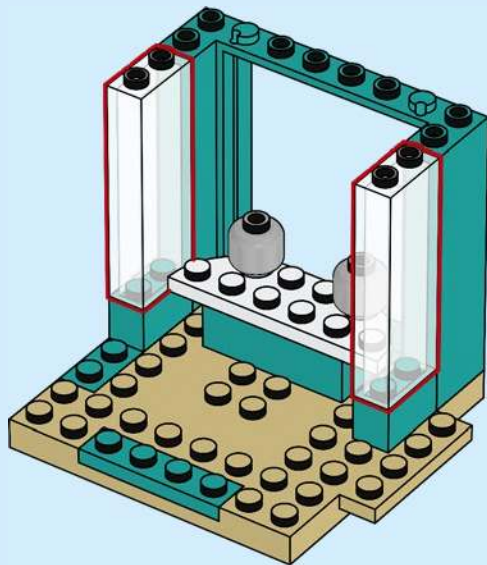


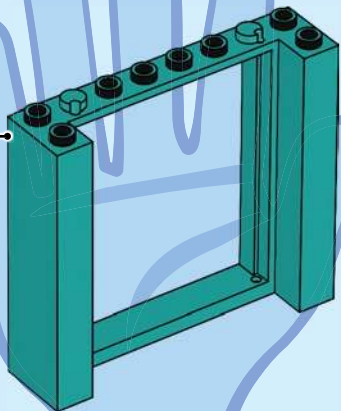
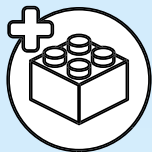


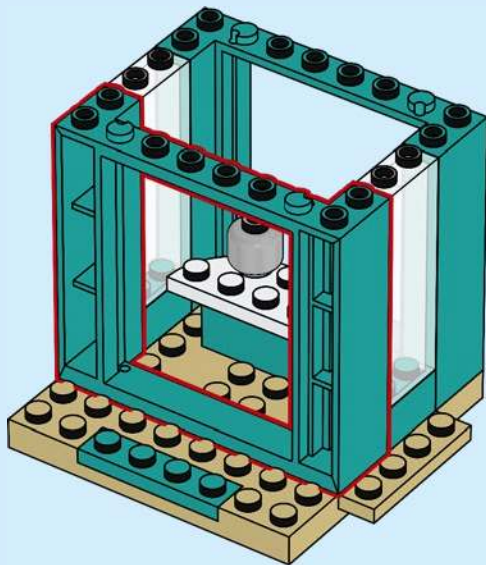


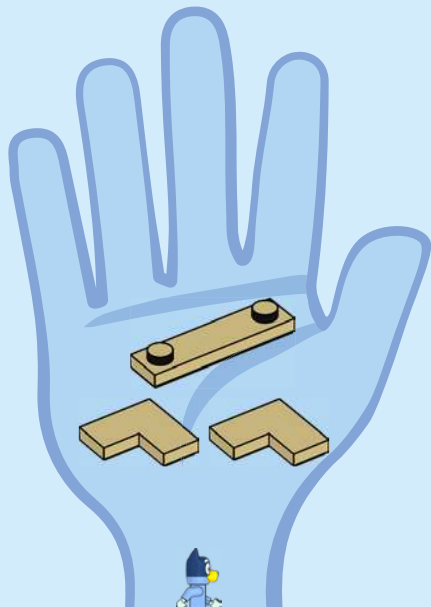


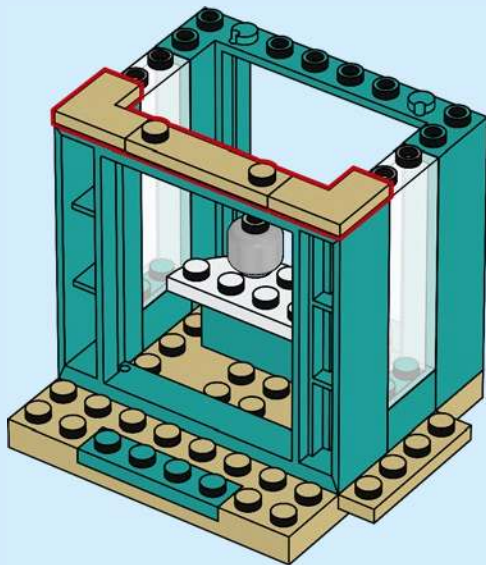


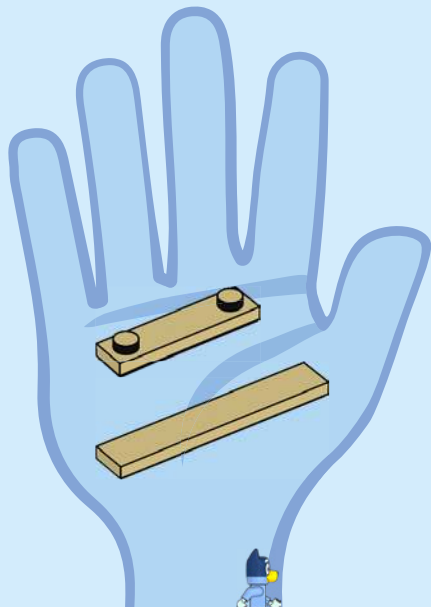


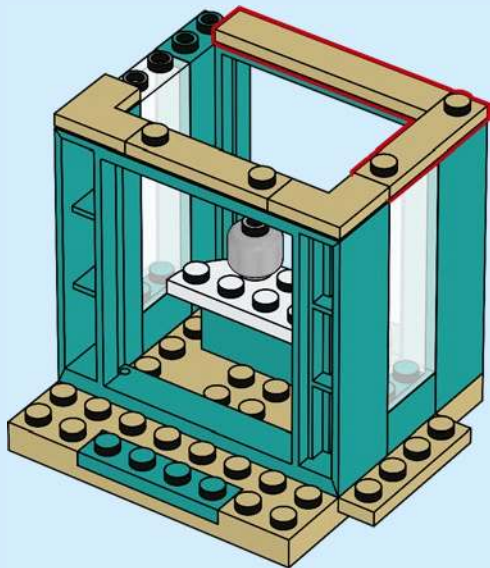


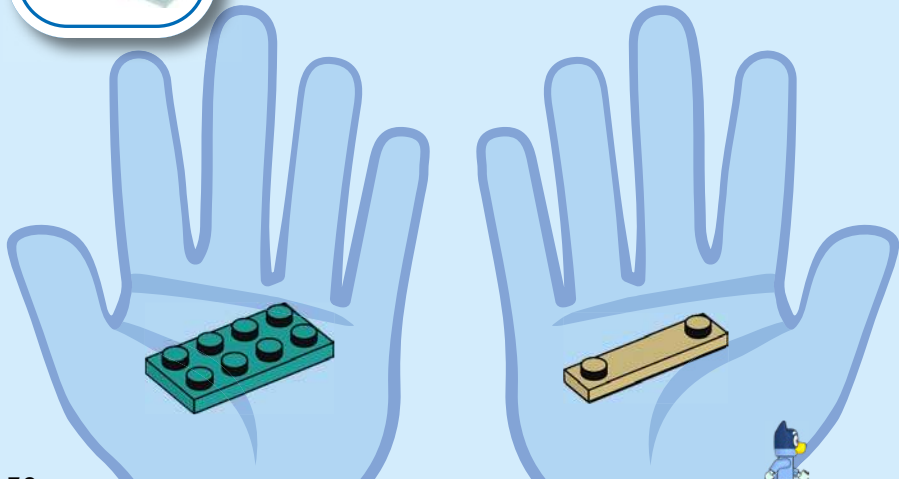


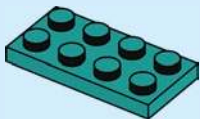


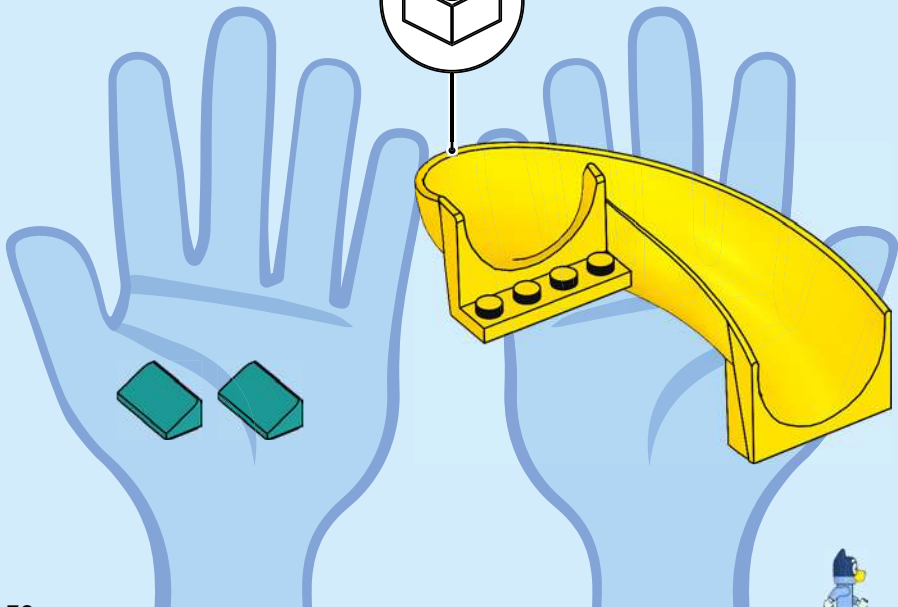
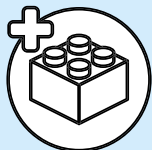


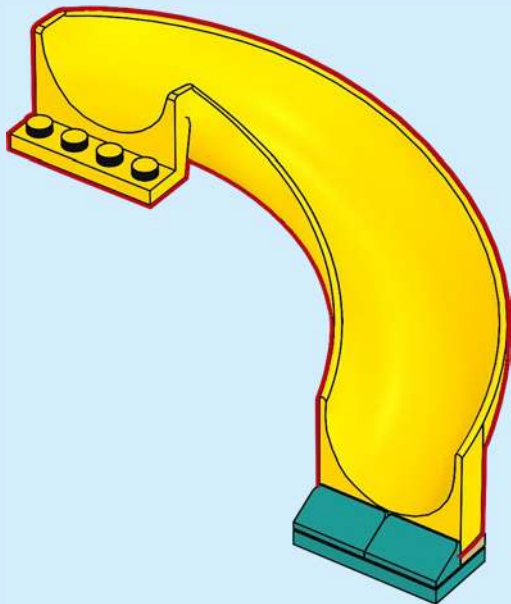
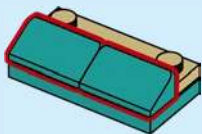




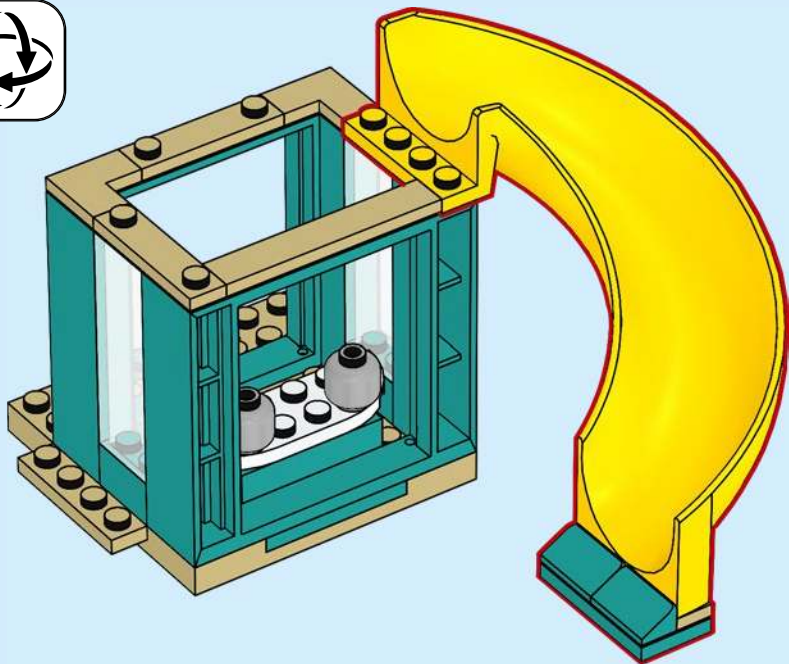


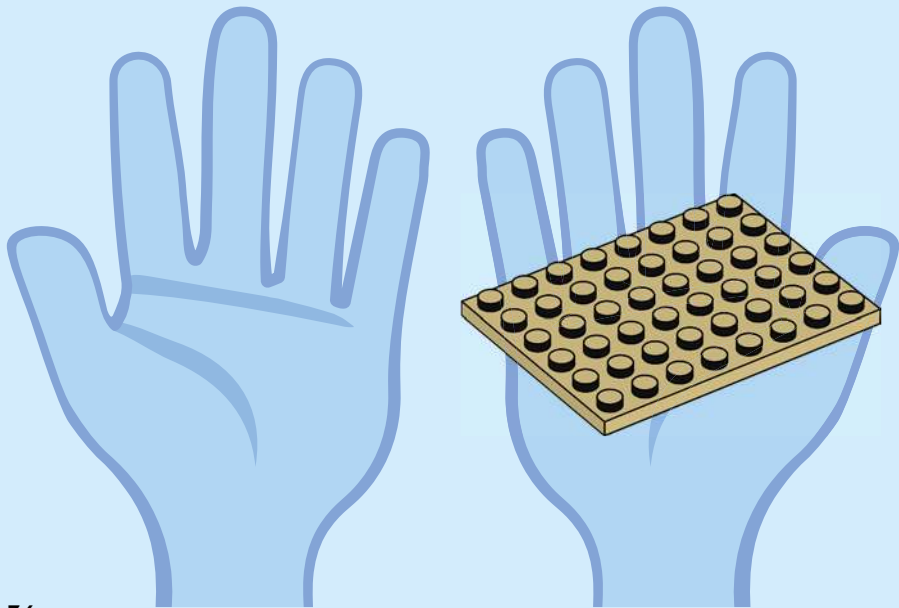


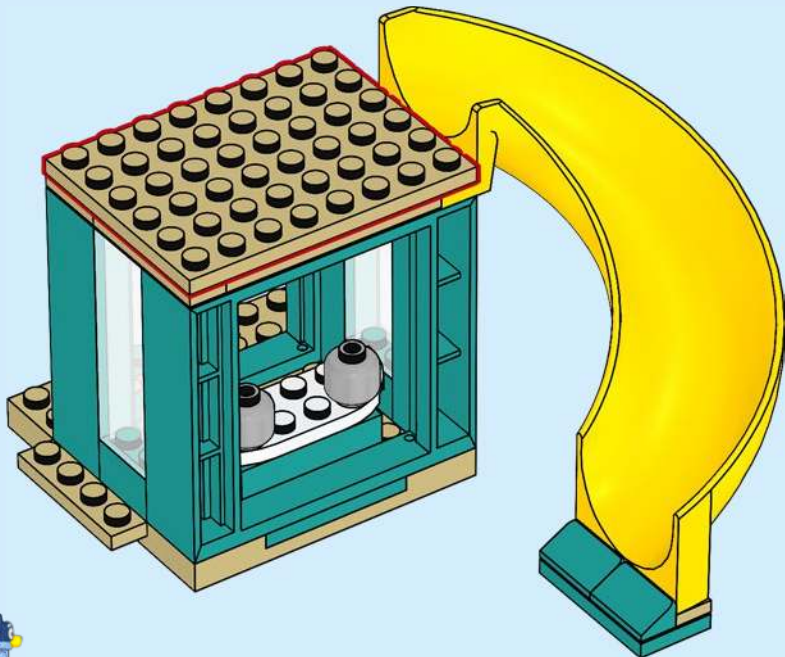


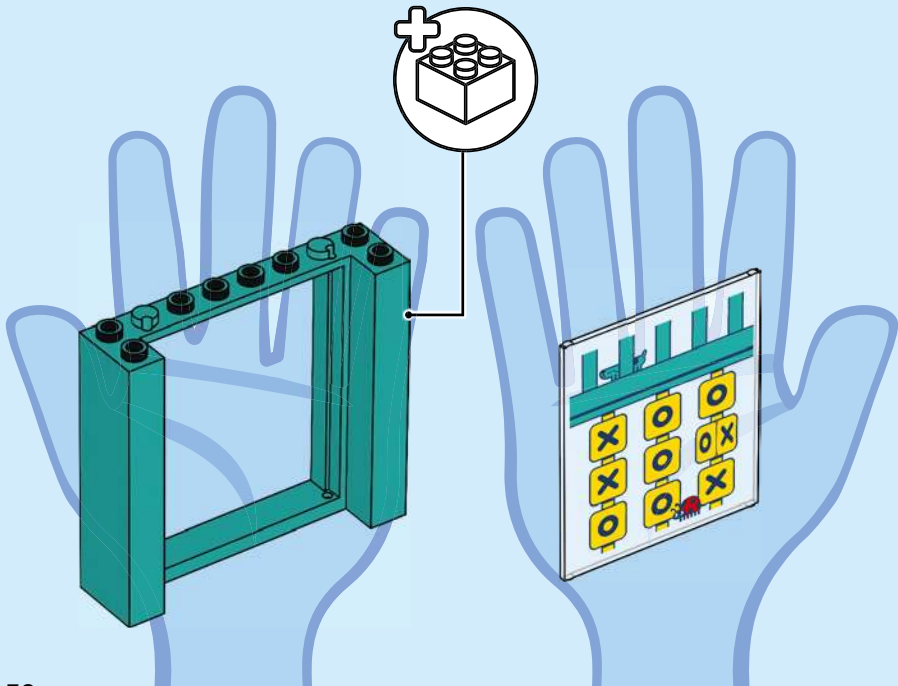


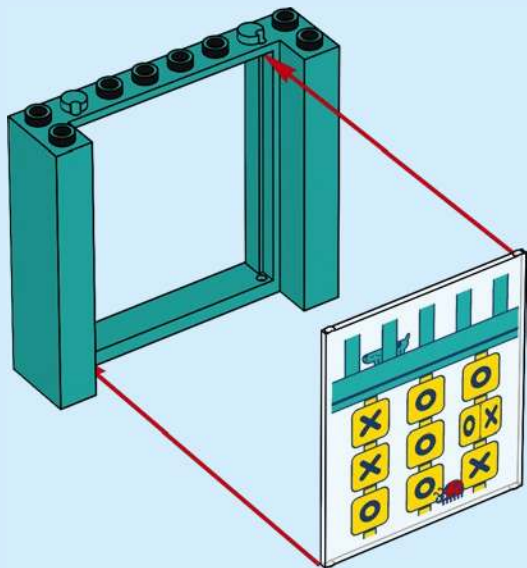


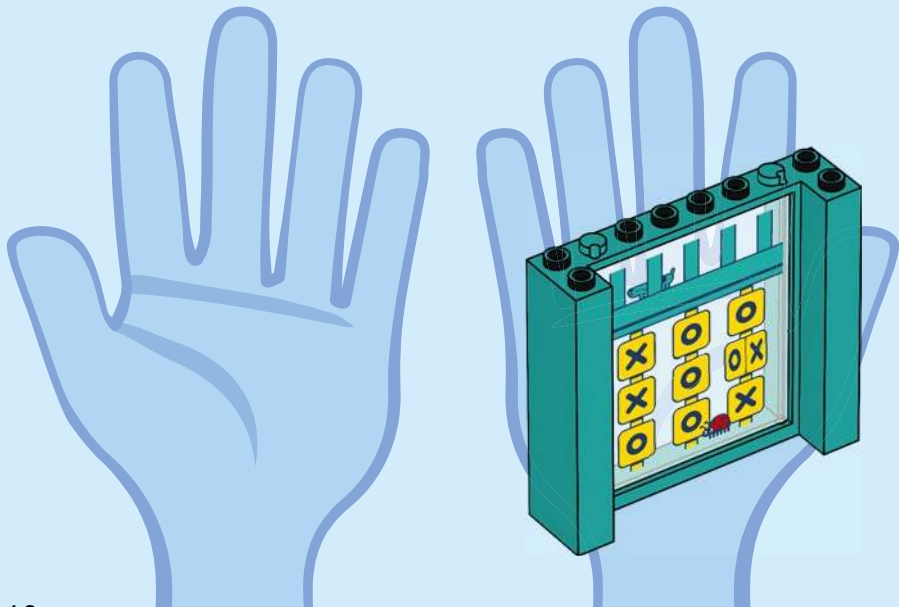


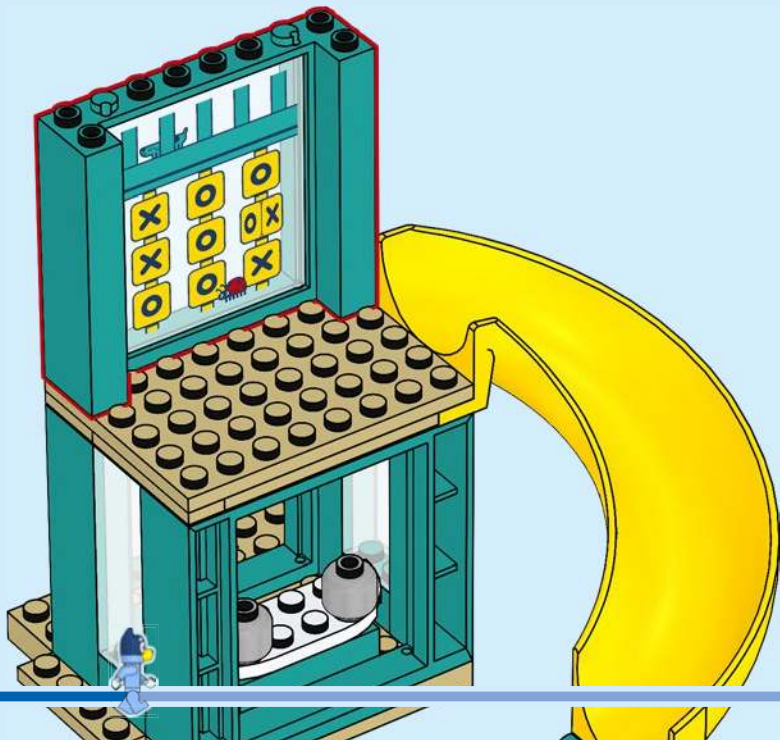


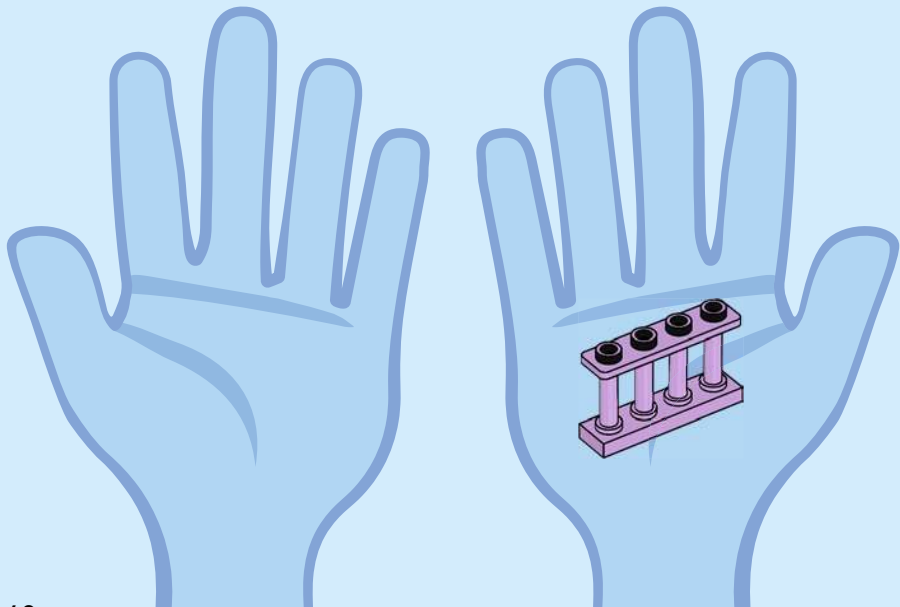


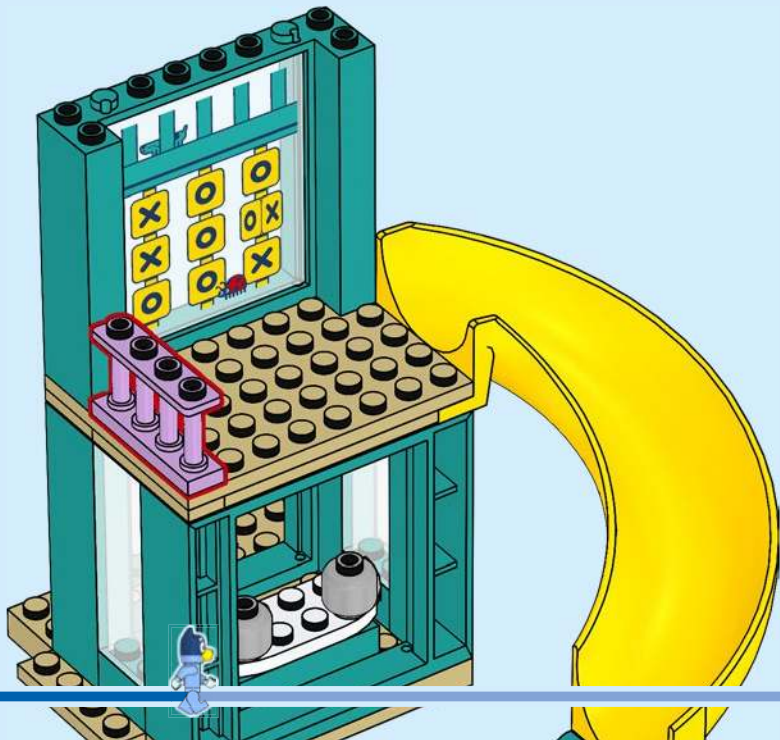


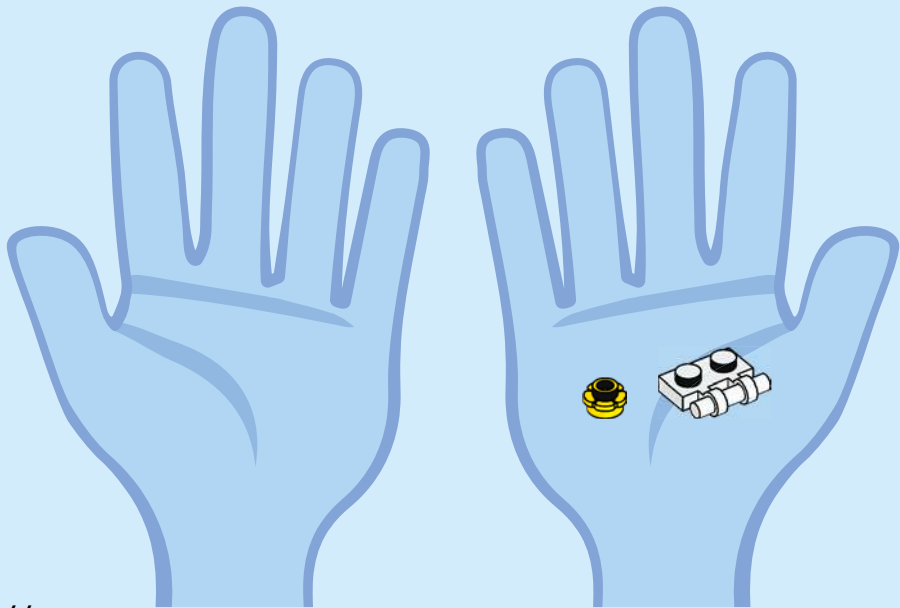




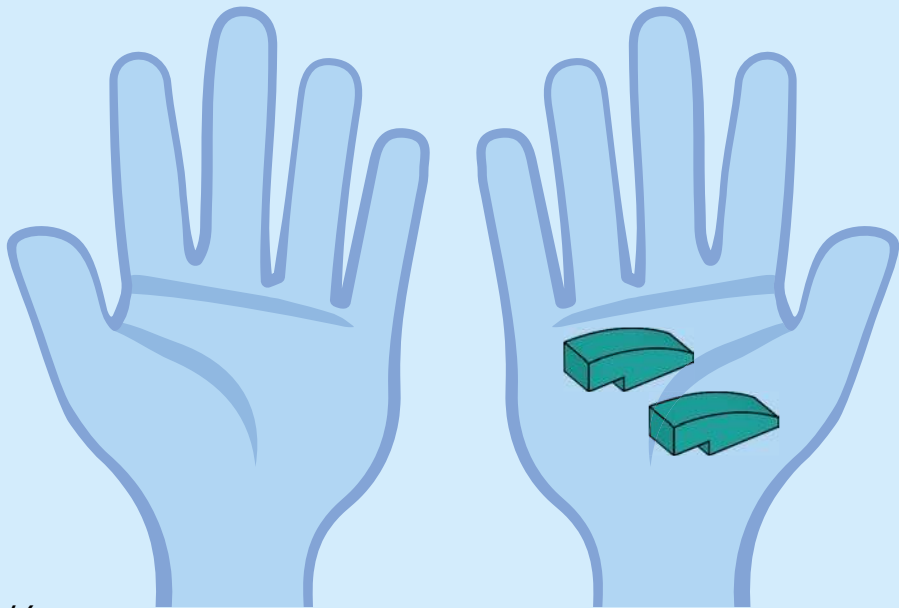


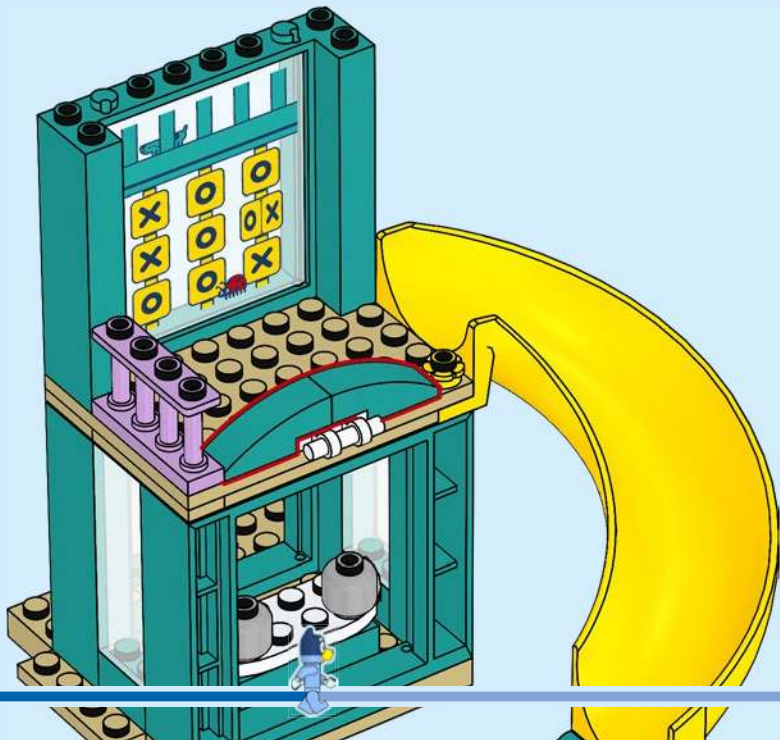


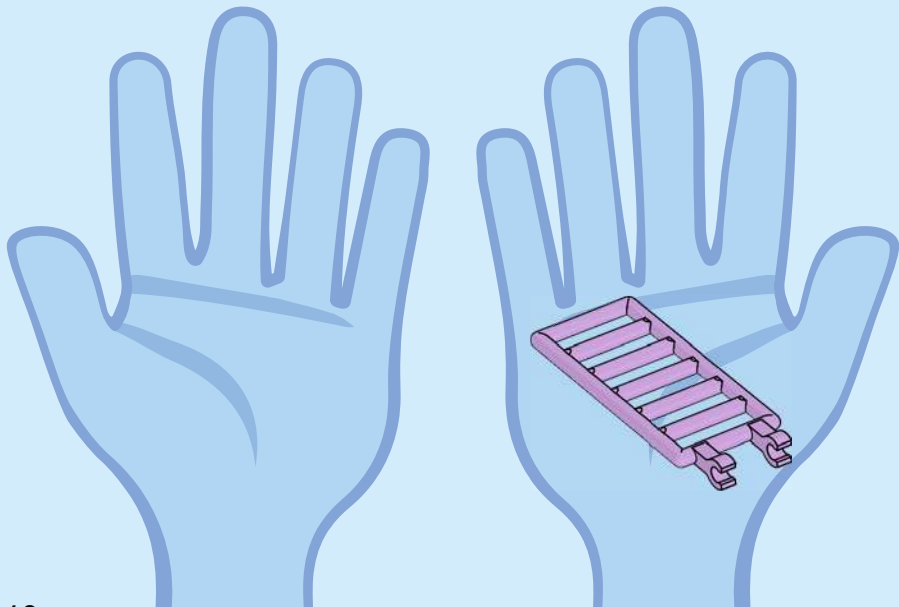


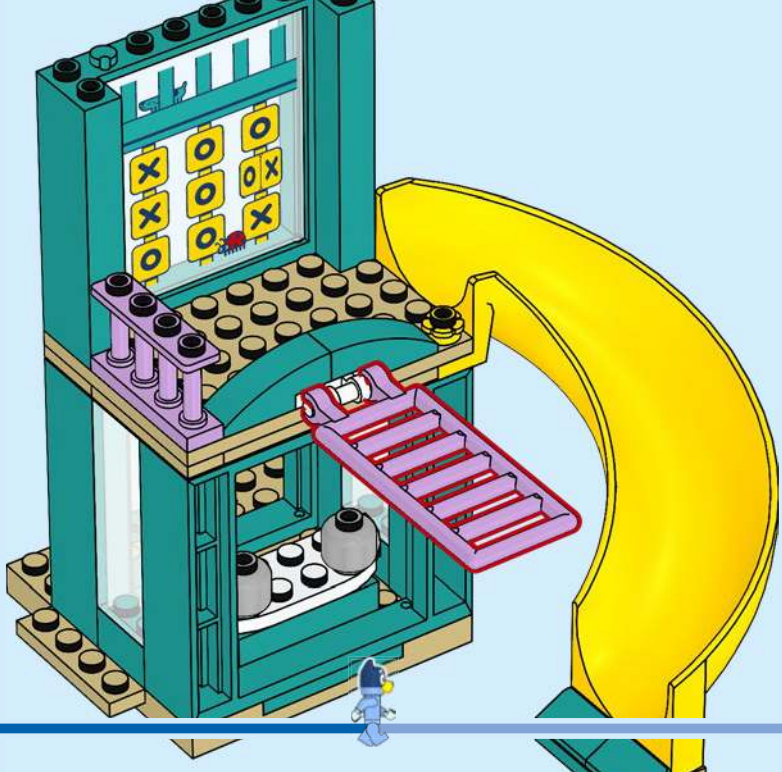


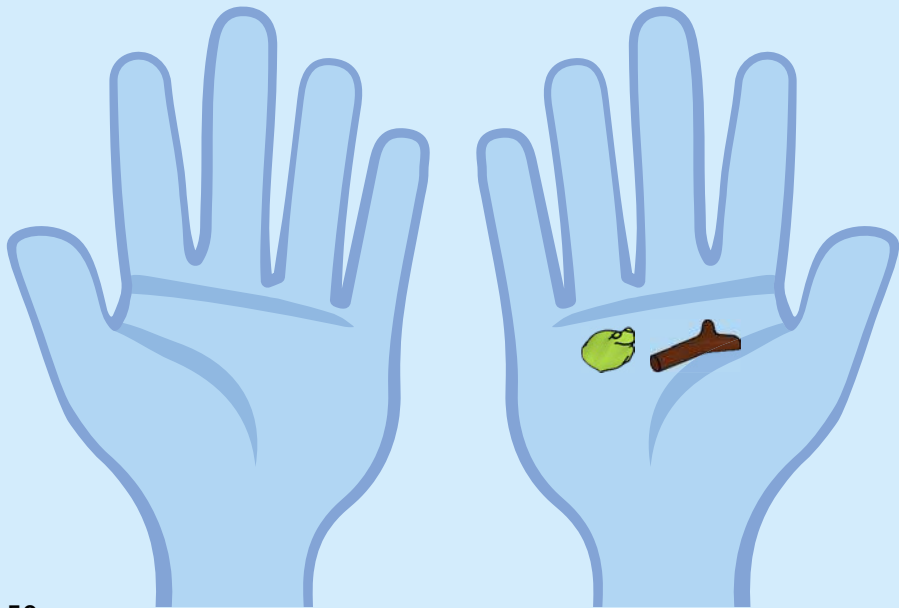




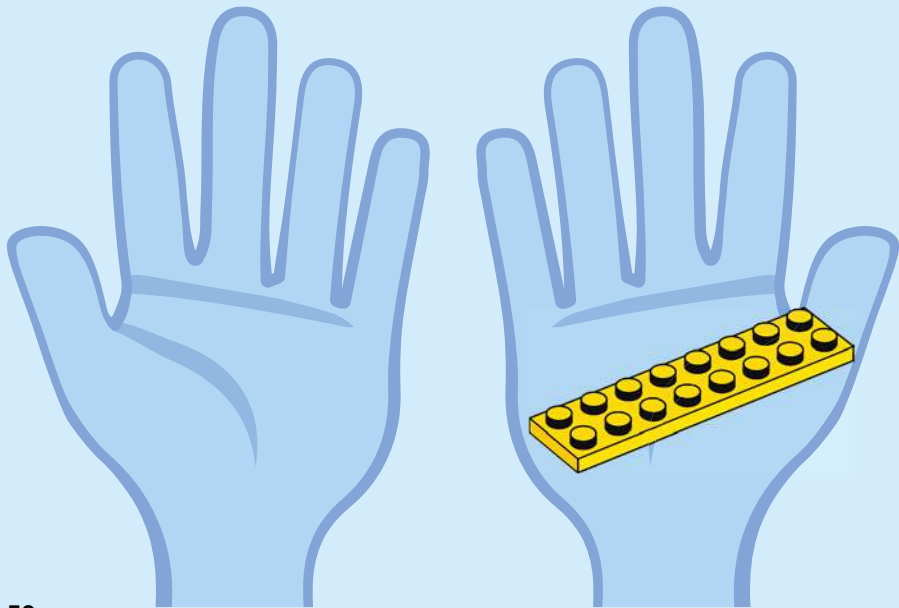


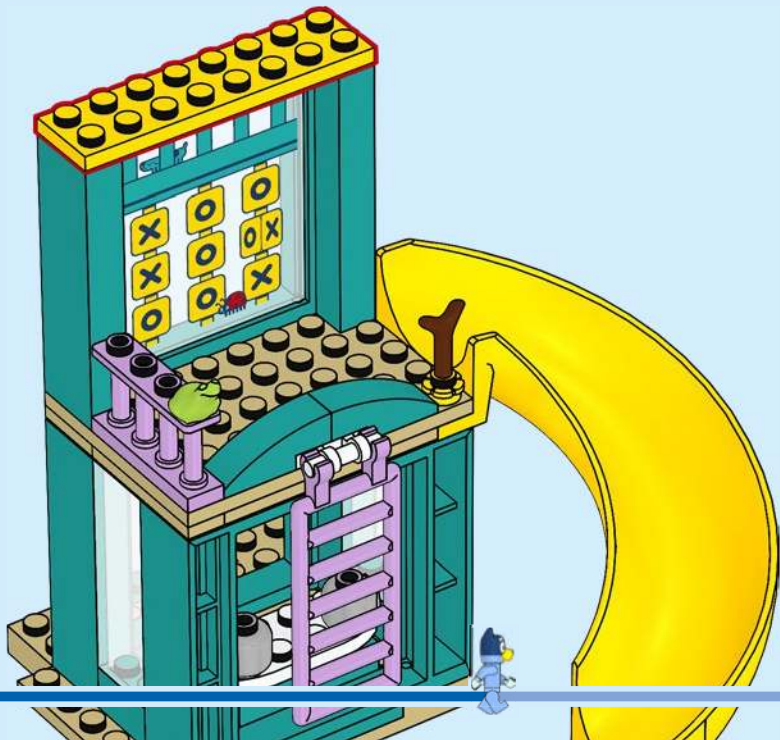


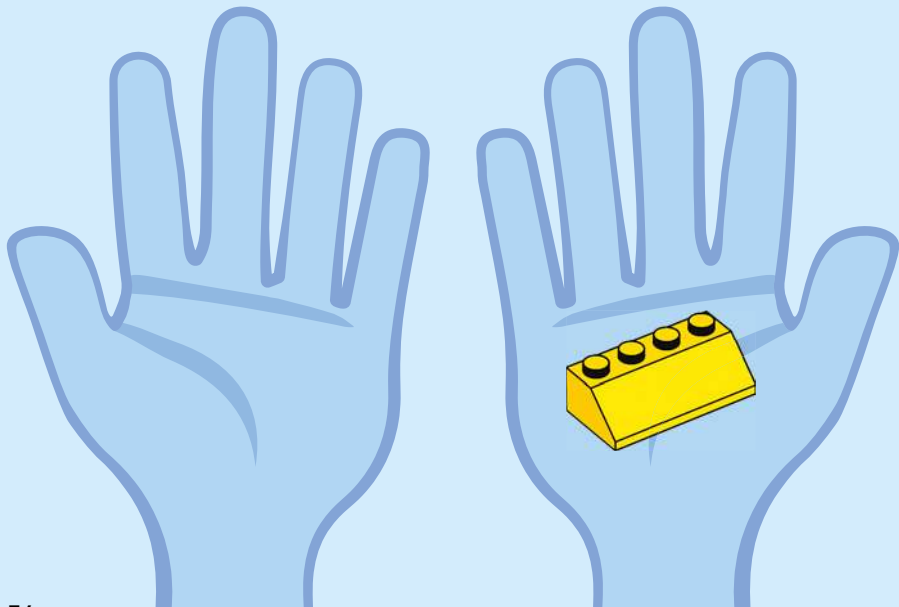


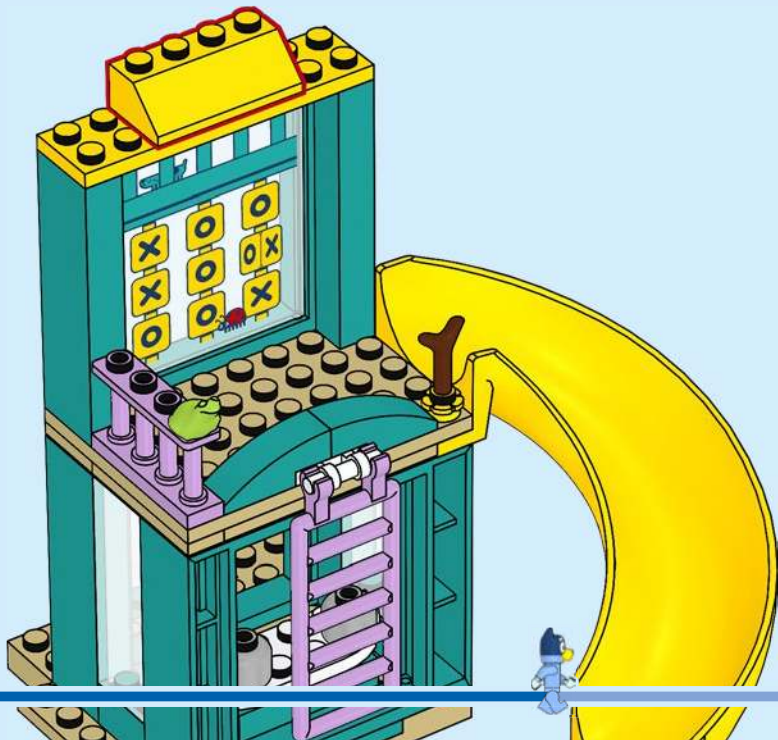


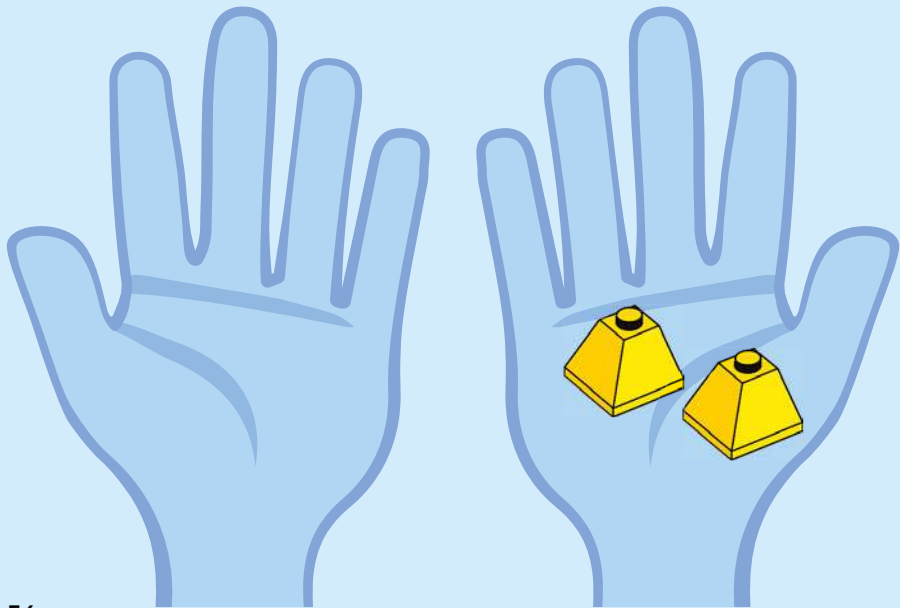


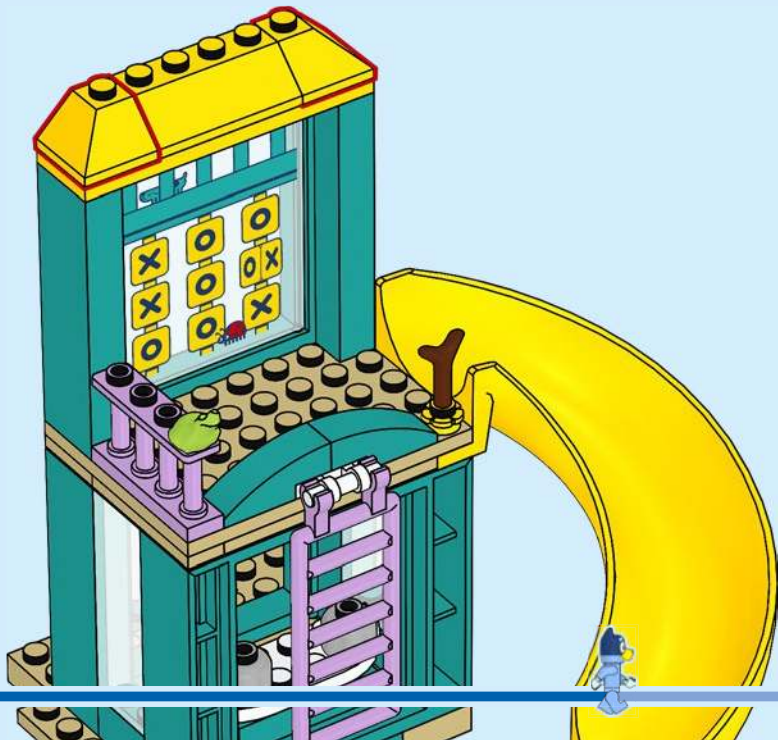


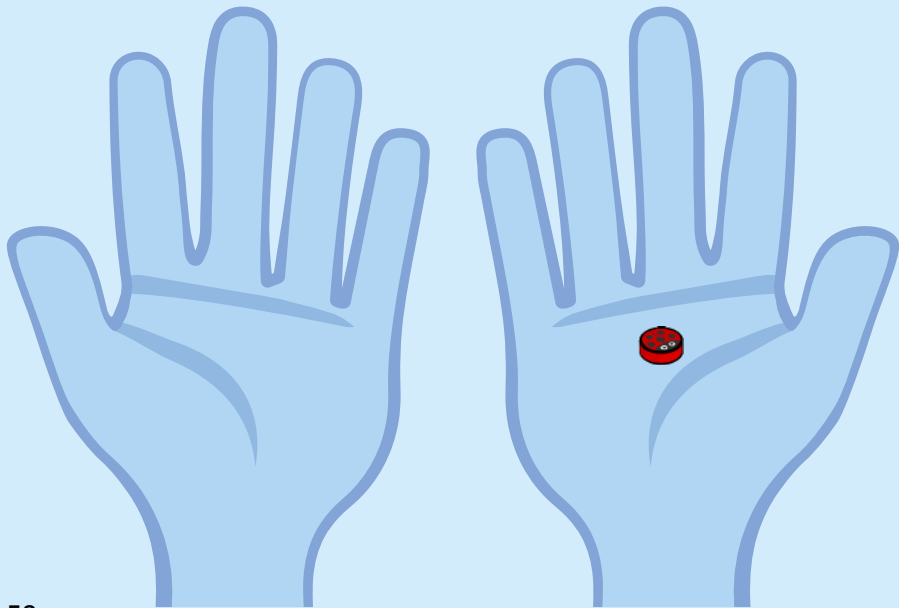


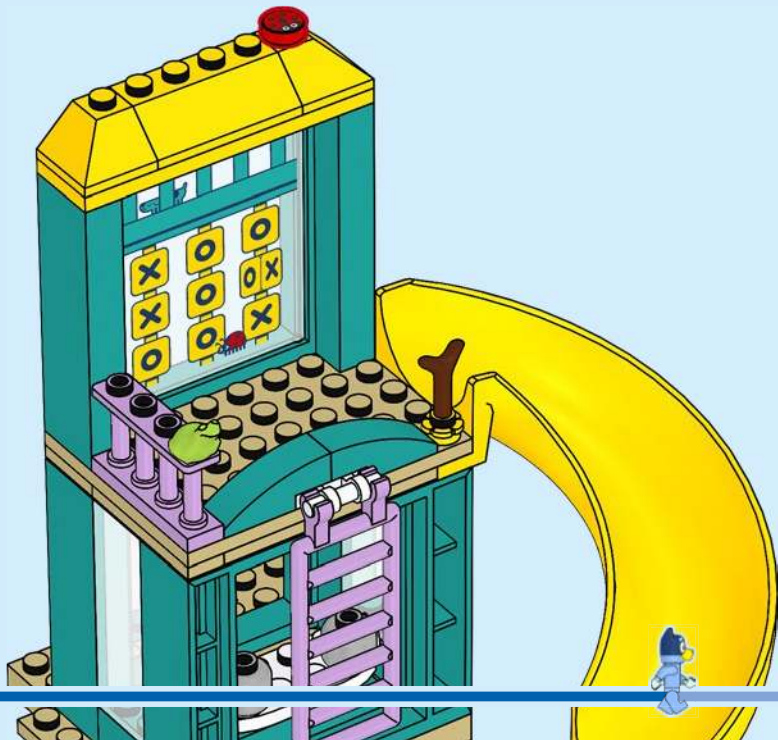


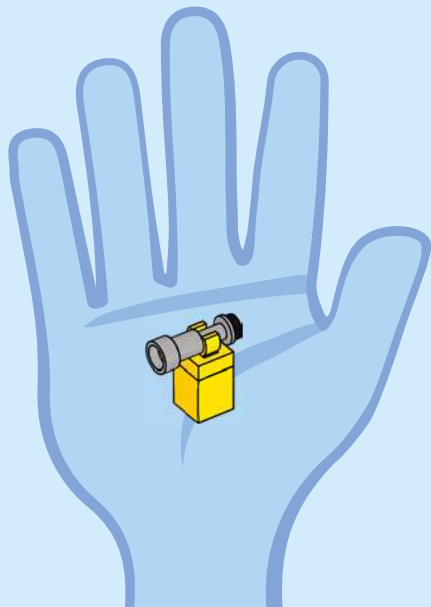


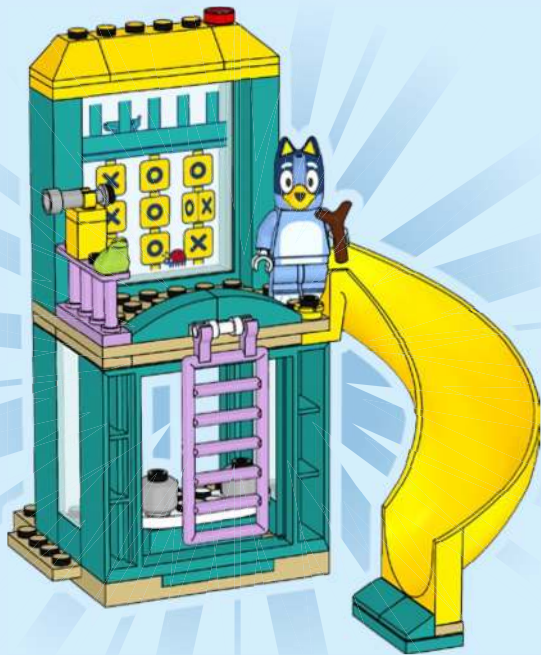


















LEGO and the LEGO logo are trademarks of the LEGO Group.
©2025 The LEGO Group.

BLUEY (word mark and character logos) are trade marks of Ludo Studio Pty Limited and are used under license. BLUEY logo © Ludo Studio Pty Limited 2018. Licensed by BBC Studios. BBC is a trade mark of the British Broadcasting Corporation and is used under license. BBC logo © BBC 1996



6580242

**Rebuild
the
World** 