



11202





[LEGO.com/sustainable-packaging](https://LEGO.com/sustainable-packaging)



**FR**  
**DONNEZ**  
OU  
**RECYCLEZ**

 OU  OU 

ASSOCIATION    MAGASIN    DÉCHÈTERIE

Adresses sur [quefairedemesdechets.fr](https://quefairedemesdechets.fr)



Q LEGO® Builder

# BUILDER



Apple and the Apple logo are trademarks of Apple Inc., registered in the U.S. and other countries and regions. App Store is a service mark of Apple Inc. Google Play and the Google Play logo are trademarks of Google LLC. Tencent and the Tencent logo are trademarks of Tencent Inc.

Q [LEGO.com/devicecheck](https://www.lego.com/devicecheck)

**EN** Ask parents' permission before going online | **DE** Eltern um Erlaubnis bitten, bevor du online gehst | **FR** Demande l'autorisation d'un parent avant d'aller en ligne | **IT** Chiedi il permesso ai tuoi genitori prima di andare online | **ES** Pídeles permiso a tus papás antes de conectarte a Internet | **PT** Pede autorização aos pais antes de acederes online | **ZH** 上网前应先征得父母的同意 | **PL** Poproś rodziców o zgodę, zanim wejdiesz do Internetu | **CS** Než půjdeš na internet, požádej rodiče o svolení | **SK** Skôr než pôjdeš na internet, vypýtaj si povolenie od rodičov | **HU** Kérj szülői engedélyt, mielőtt online csatlakoznál! | **UA** Запитуйте дозволу батьків, перш ніж користуватися інтернетом | **RO** Cere permisiunea părinților înainte de a te conecta online | **BG** Поискайте разрешение от родител, преди да влезете онлайн | **LV** Pirms došanās tiešsaistē palūdz atļauju vecākiem | **ET** Enne Interneti kasutamist küsi vanematelt luba | **LT** Prieš prisijungdami prie interneto, atsiklauskite tėvų

# EXPLORE LEGO® BLUEY DIGITAL GAMES



EXPLORE LEGO® BLUEY DIGITAL GAMES  
ENTDECKE DIE DIGITALEN LEGO® BLUEY SPIELE  
DÉCOUVREZ LES JEUX NUMÉRIQUES LEGO® BLUEY  
ESPLORA I GIOCHI DIGITALI LEGO® BLUEY  
EXPLORA LOS JUEGOS DIGITALES LEGO® BLUEY  
EXPLORA OS JOGOS DIGITAIS LEGO® BLUEY

## 探索乐高®布鲁伊数字游戏

POZNAJ GRY CYFROWE Z SERII LEGO® BLUEY  
PROZKOUMEJTE DIGITÁLNÍ HRY LEGO® BLUEY  
PRESKÚMAJTE DIGITÁLNE HRY LEGO® BLUEY  
FEDEZD FEL A DIGITÁLIS A LEGO® BLUEY  
JÁTÉKOKAT!

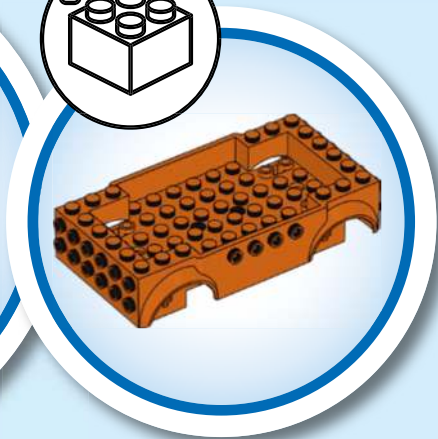
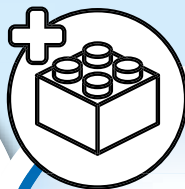
ВІДКРИЙТЕ ДЛЯ СЕБЕ ЦИФРОВІ ІГРИ  
LEGO® BLUEY

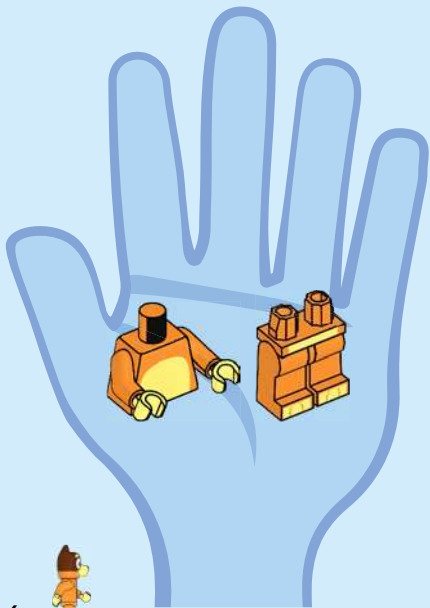
EXPLOREAZĂ JOCURILE DIGITALE LEGO® BLUEY  
OTKRIYTE DIGITALNIHTE IGRY LEGO® BLUEY  
IZPĚTI LEGO® BLUEY DIGITÁLĚS SPĚLES  
AVASTA LEGO® BLUEY DIGITÁLSEÐ MÄNGUD  
ATRAKITE SKAITMENINIUS LEGO® BLUEY  
ŽAIDIMUS

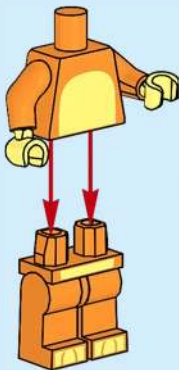
4+



Apple and the Apple logo are trademarks of Apple Inc., registered in the U.S. and other countries and regions. App Store is a service mark of Apple Inc. Google Play and the Google Play logo are trademarks of Google LLC.

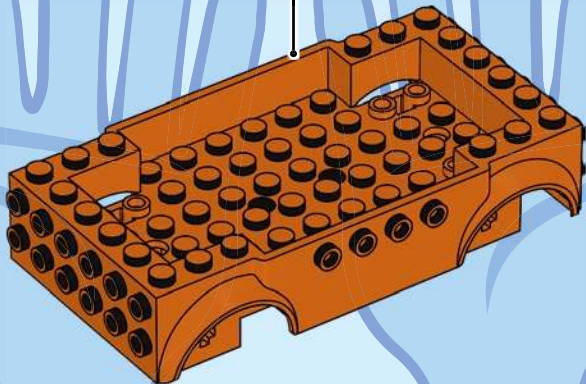
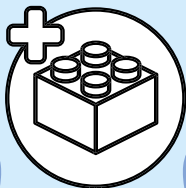


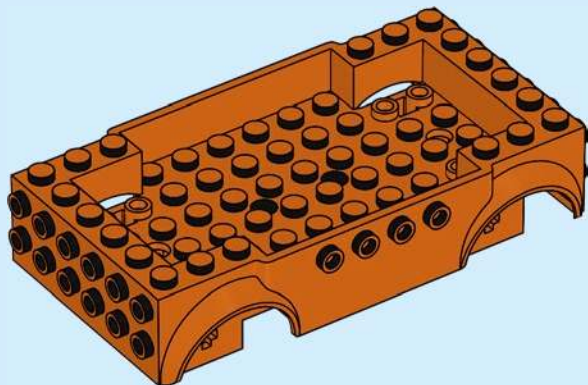


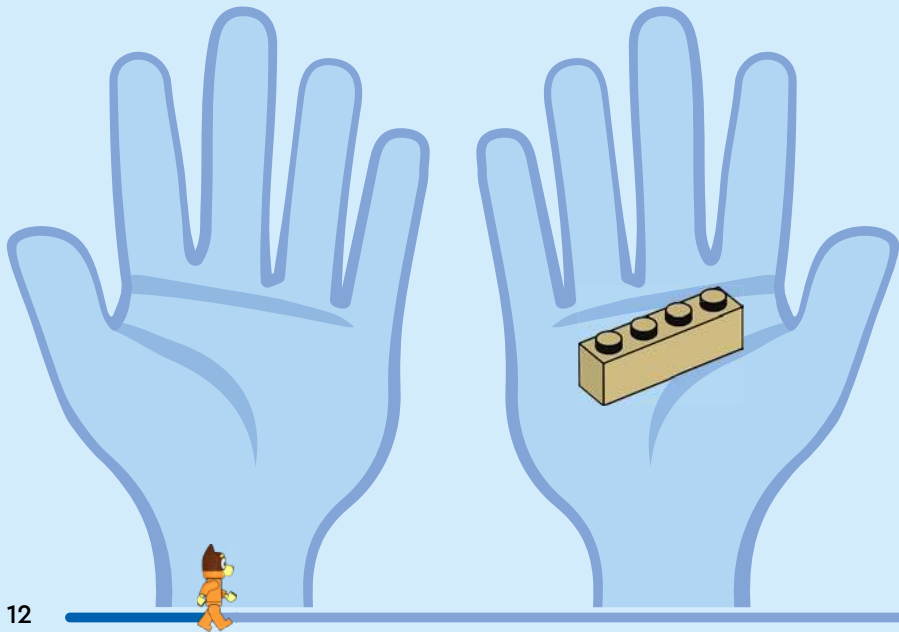


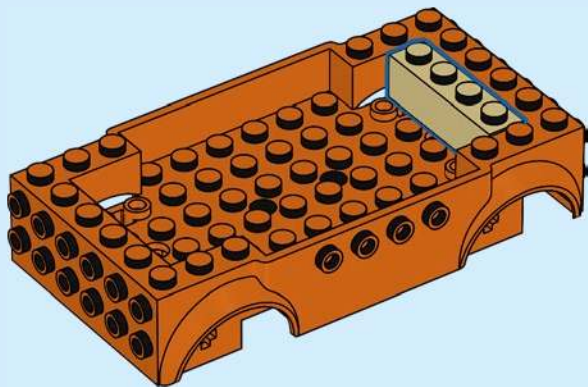


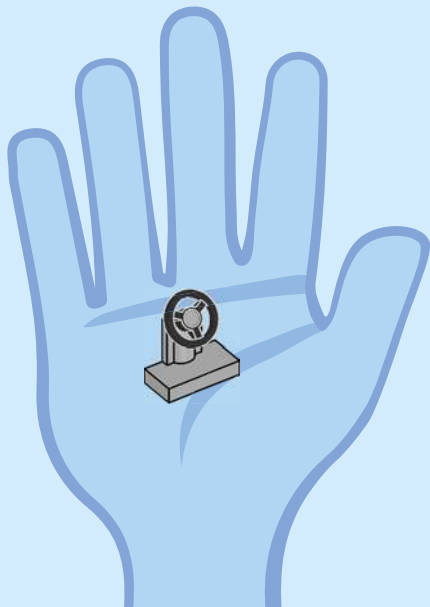


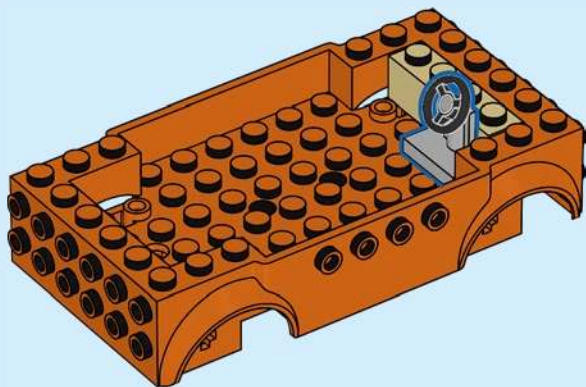


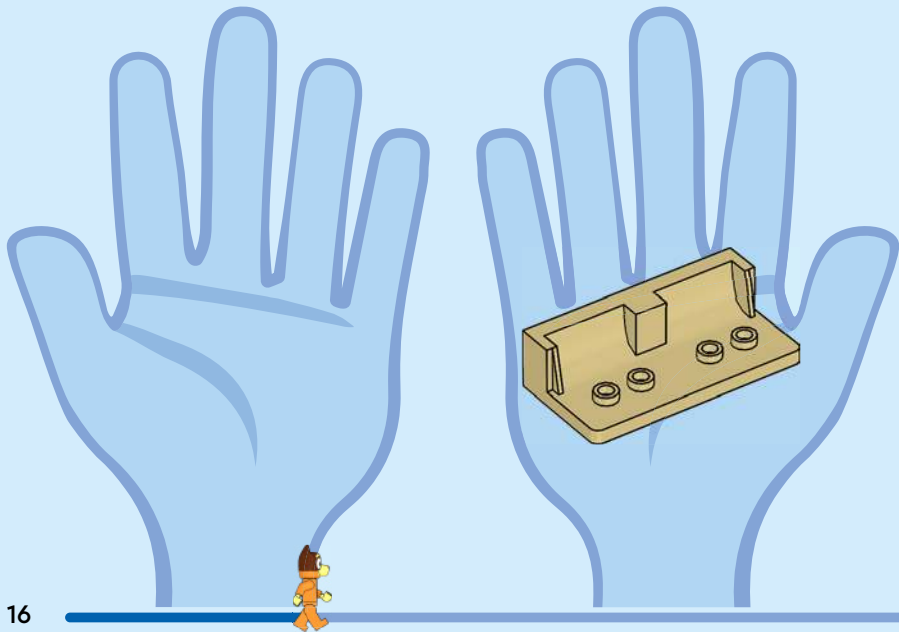


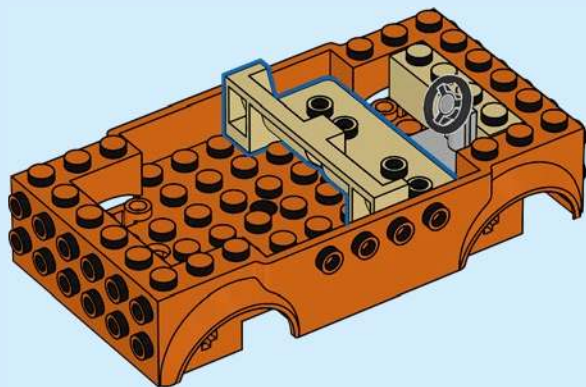


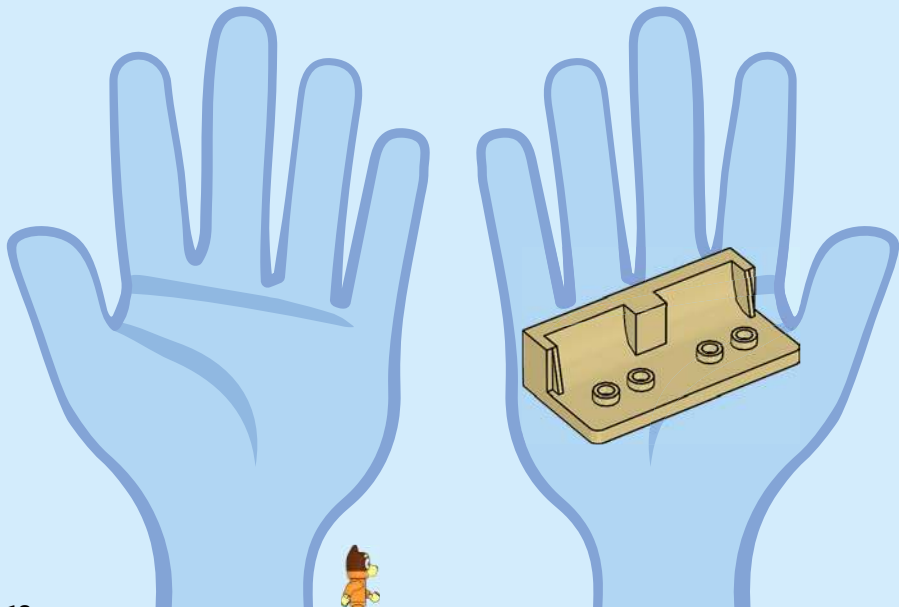


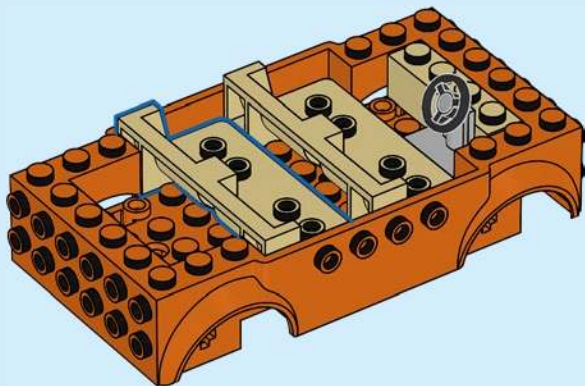


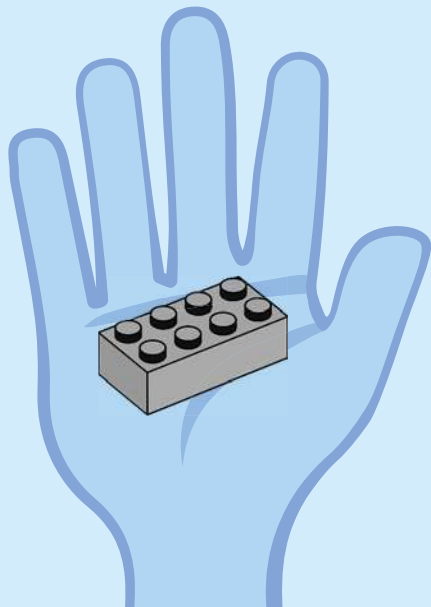


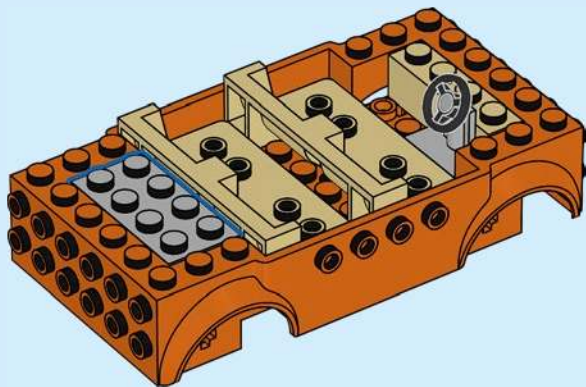


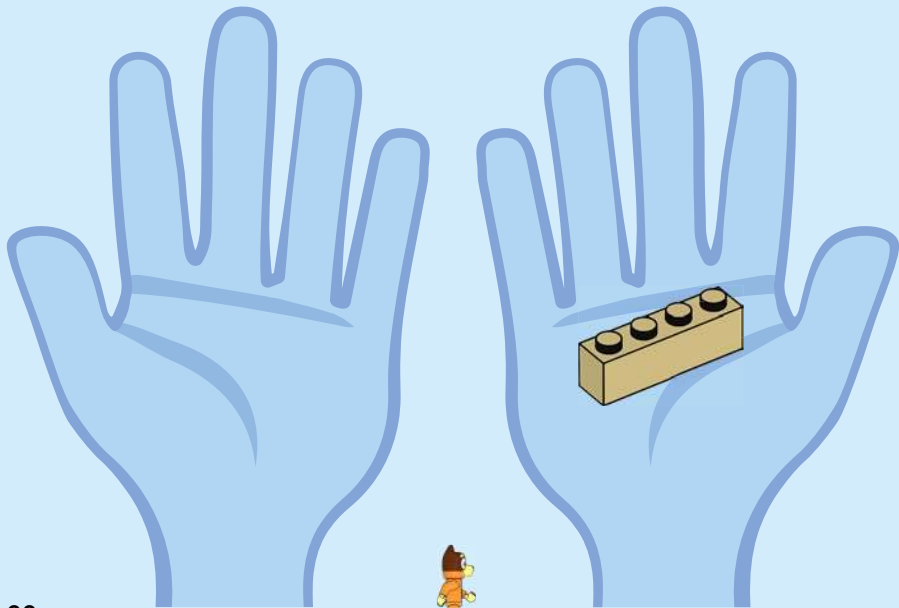


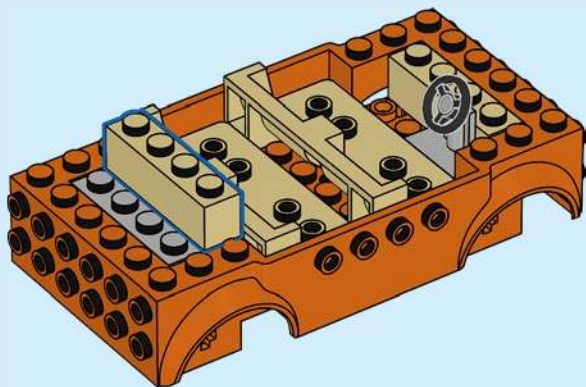


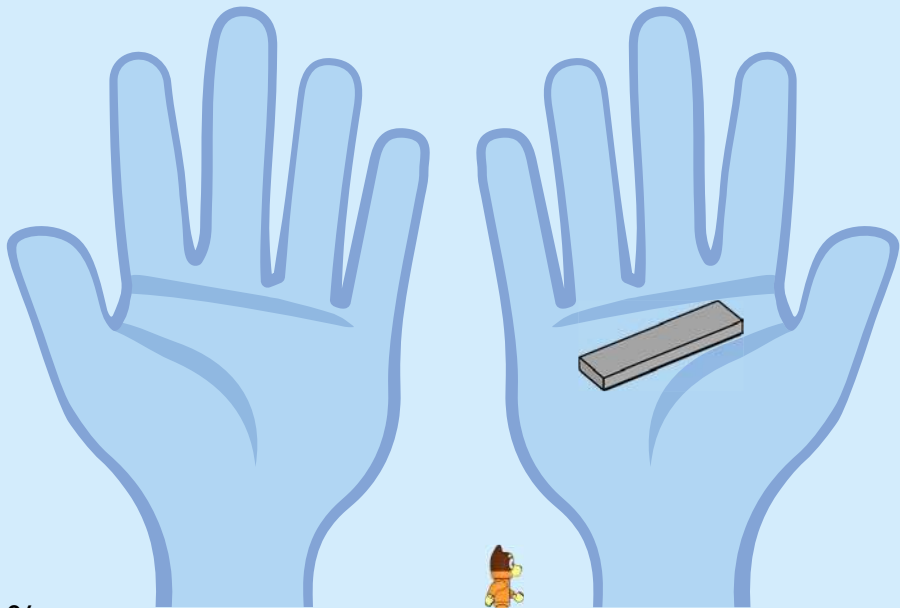


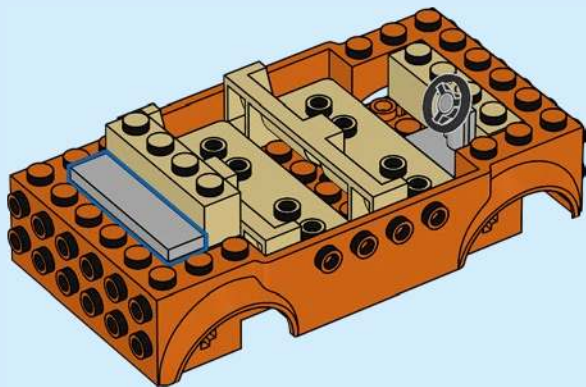


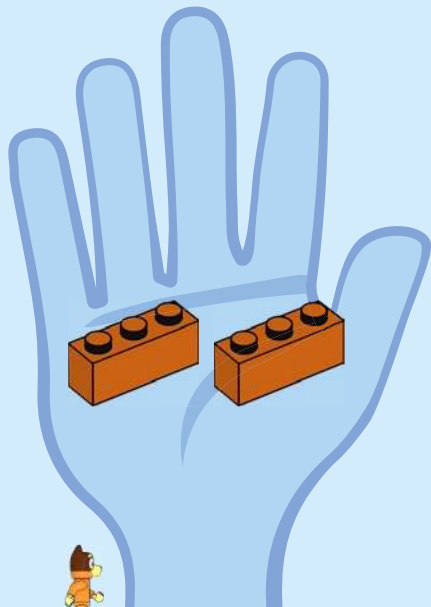
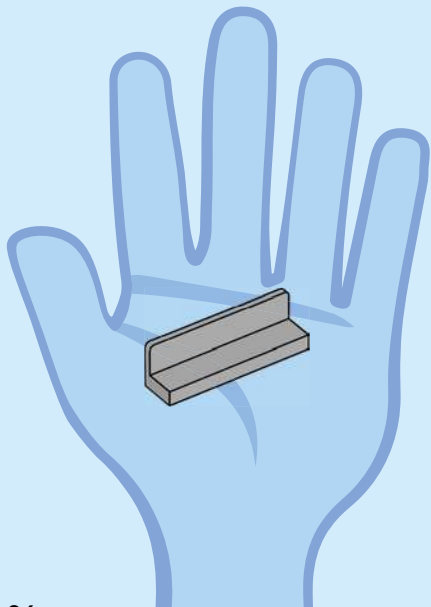


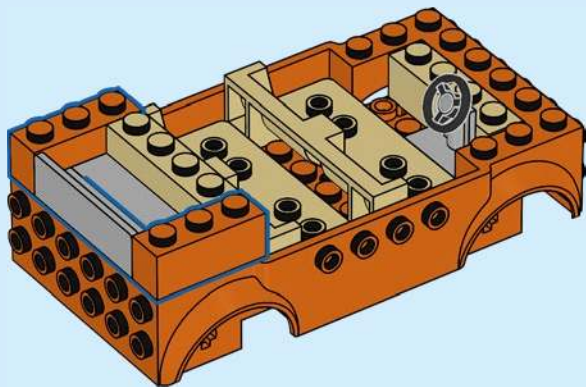


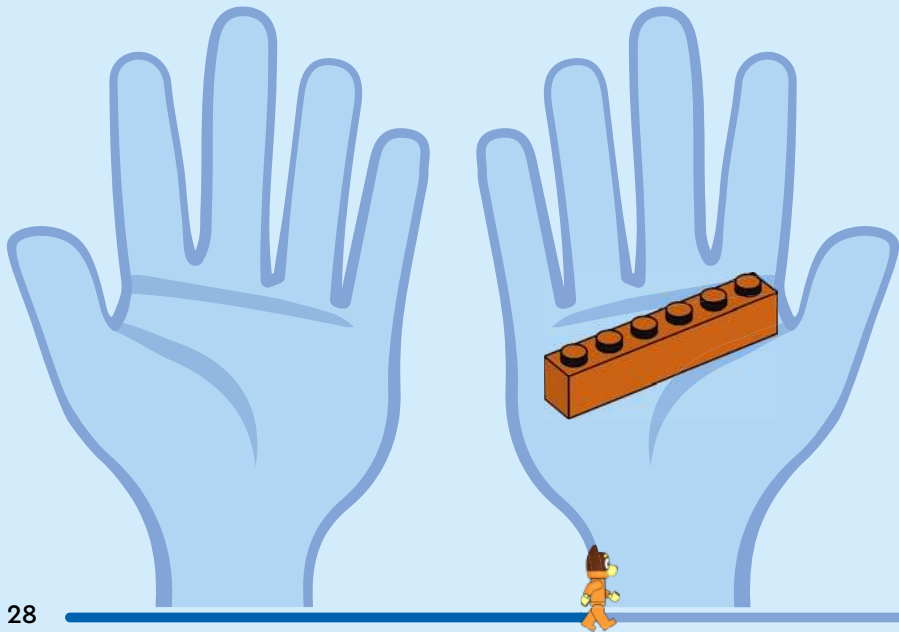


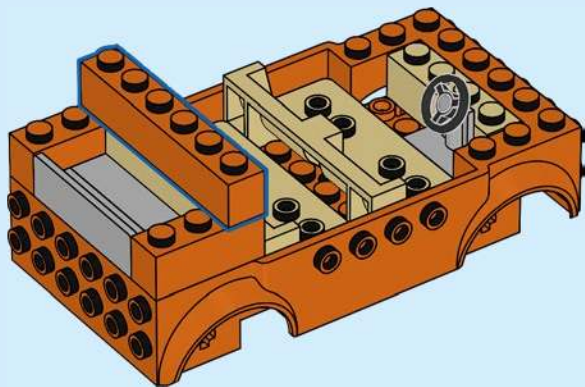


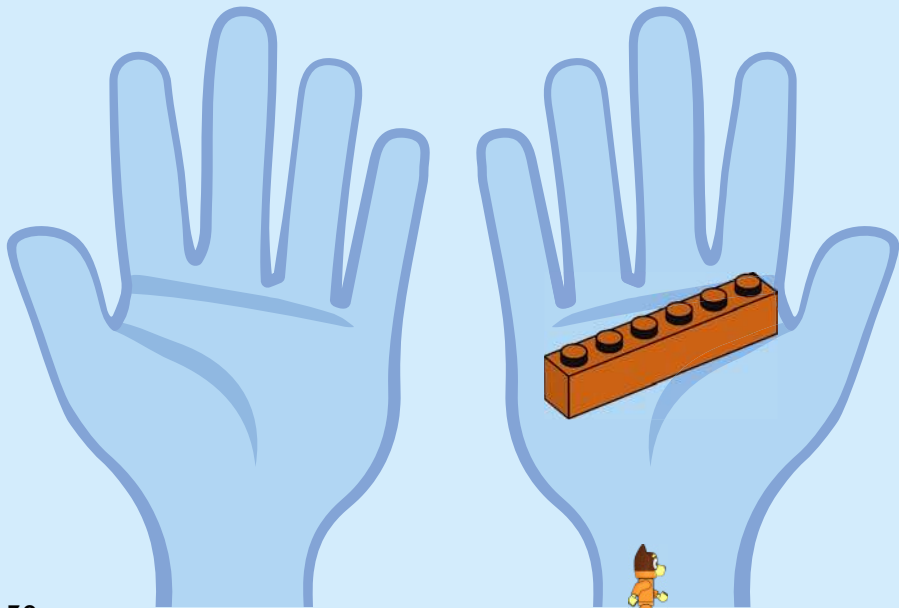


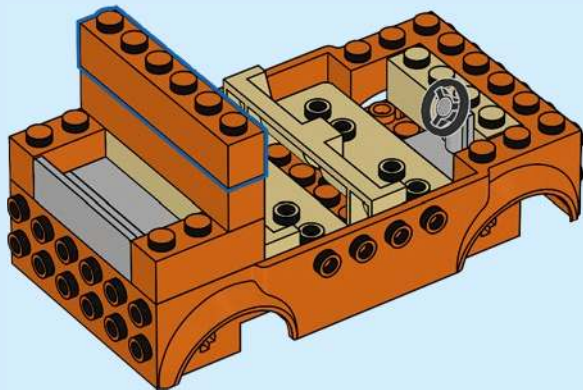


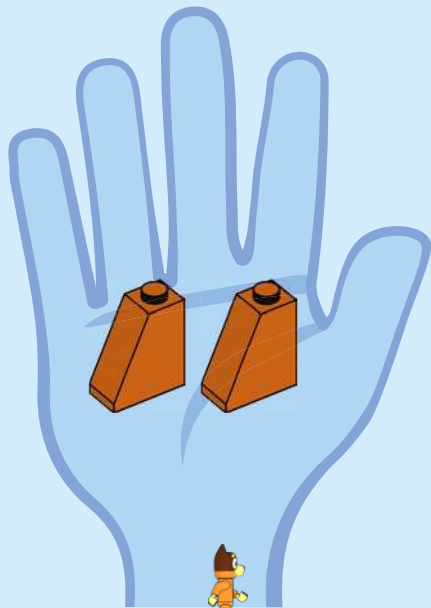


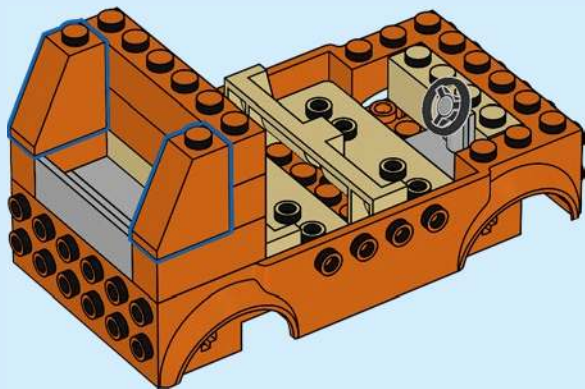


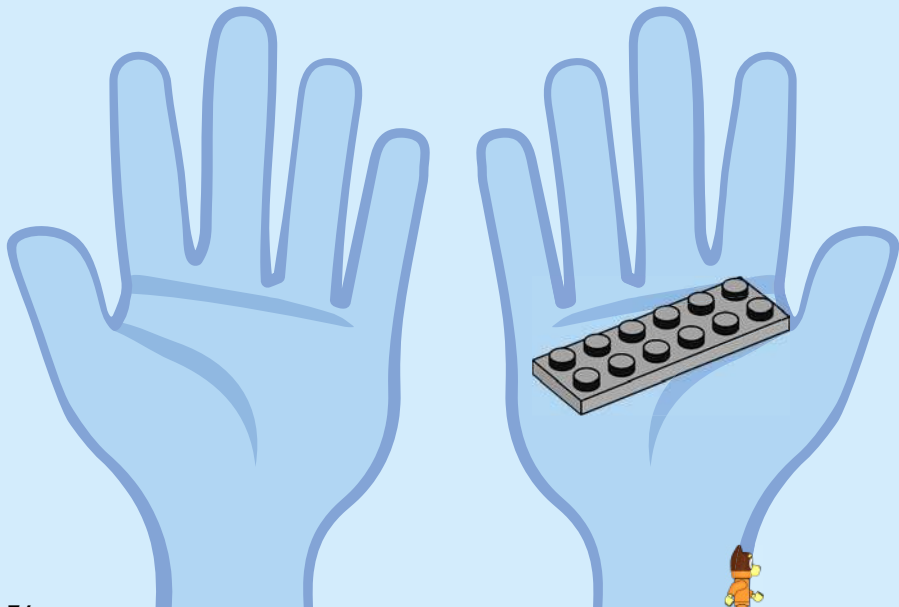


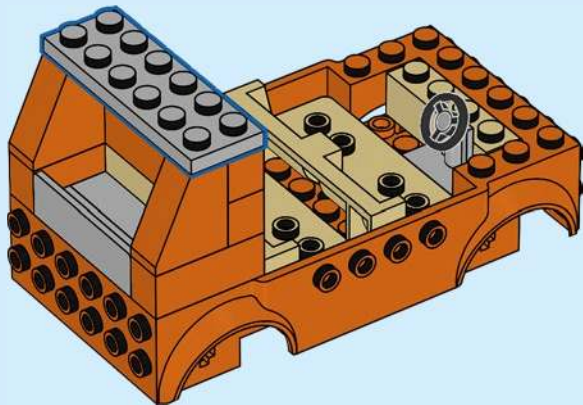


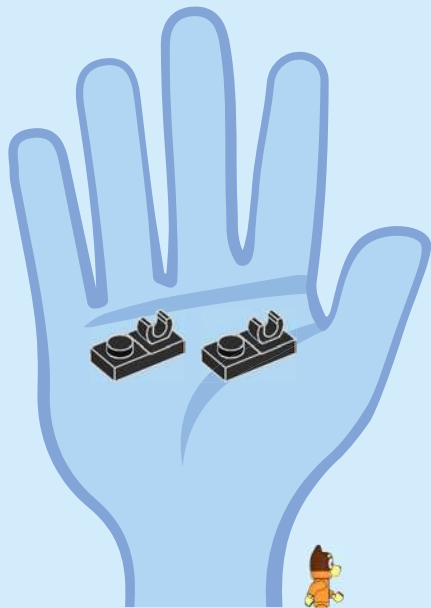


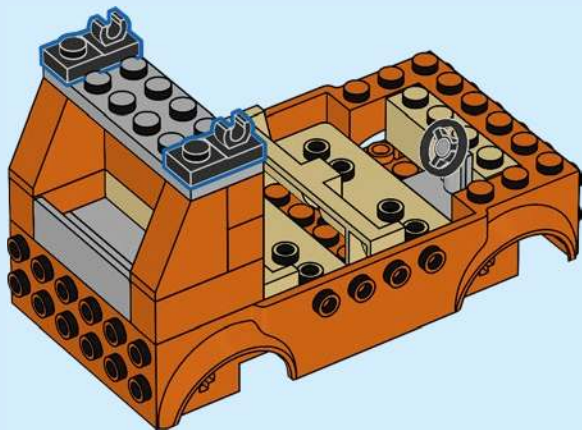


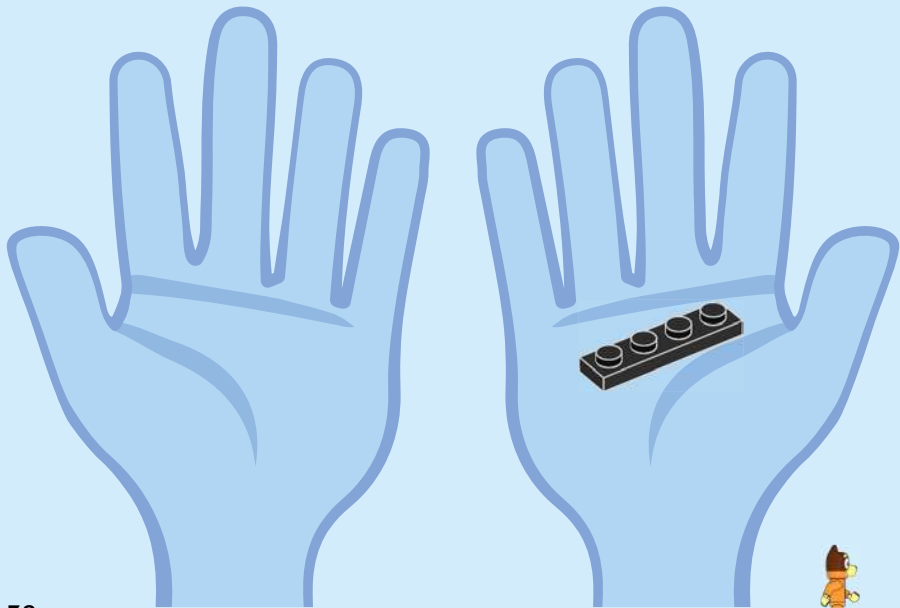


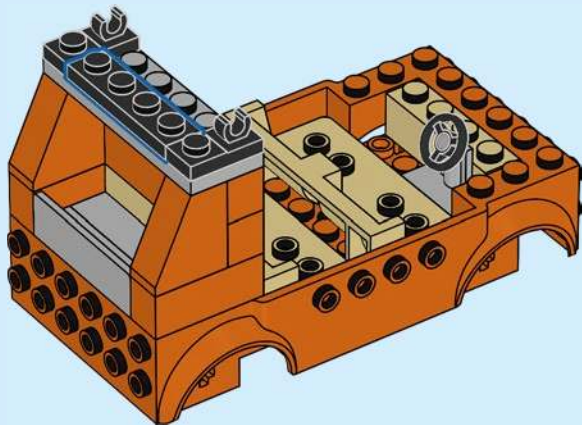


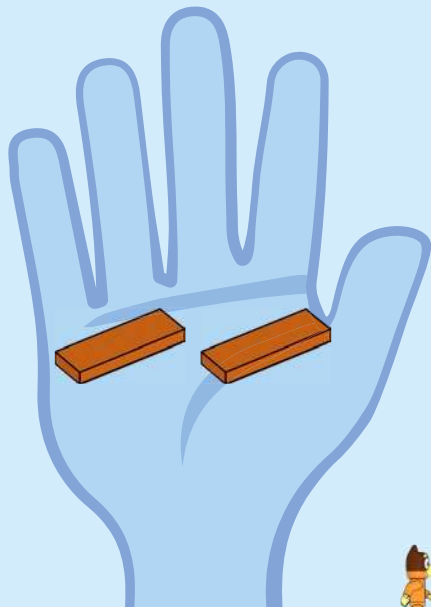


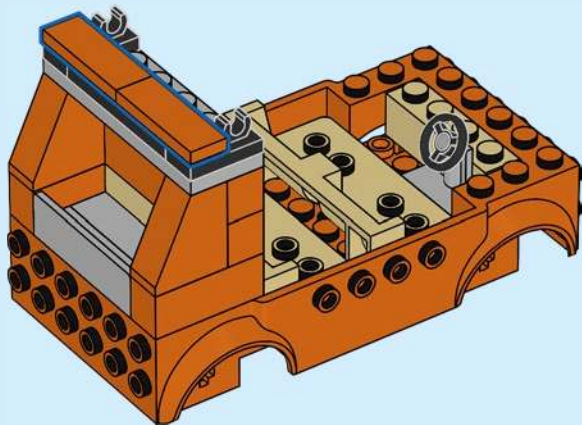


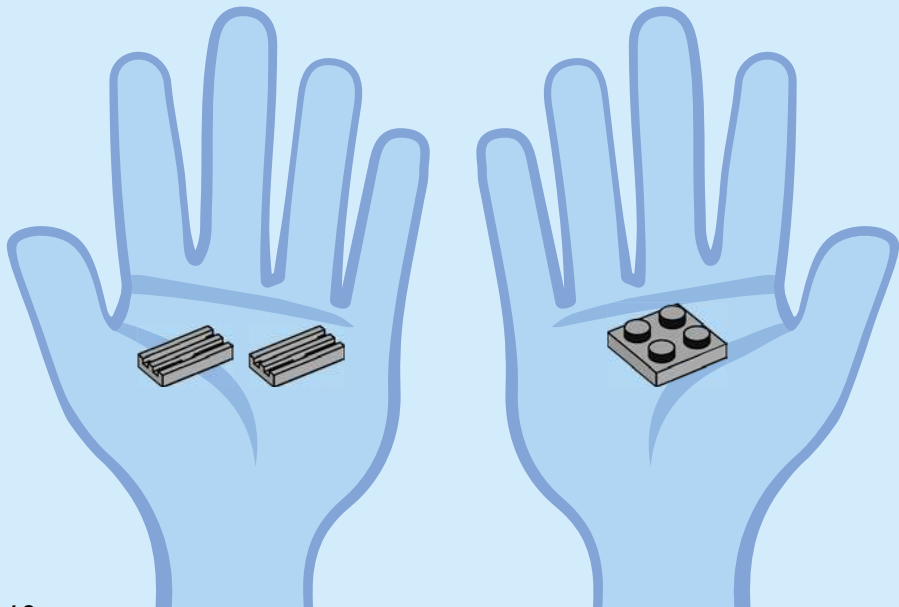


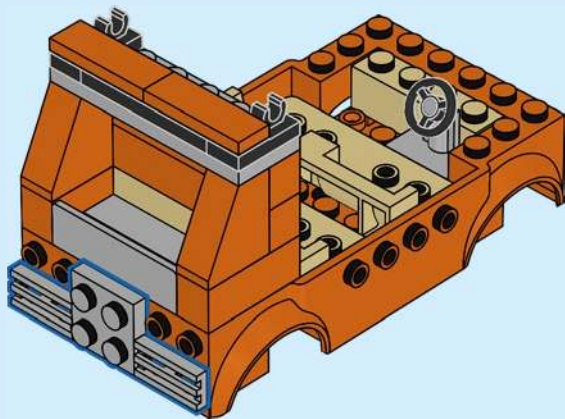


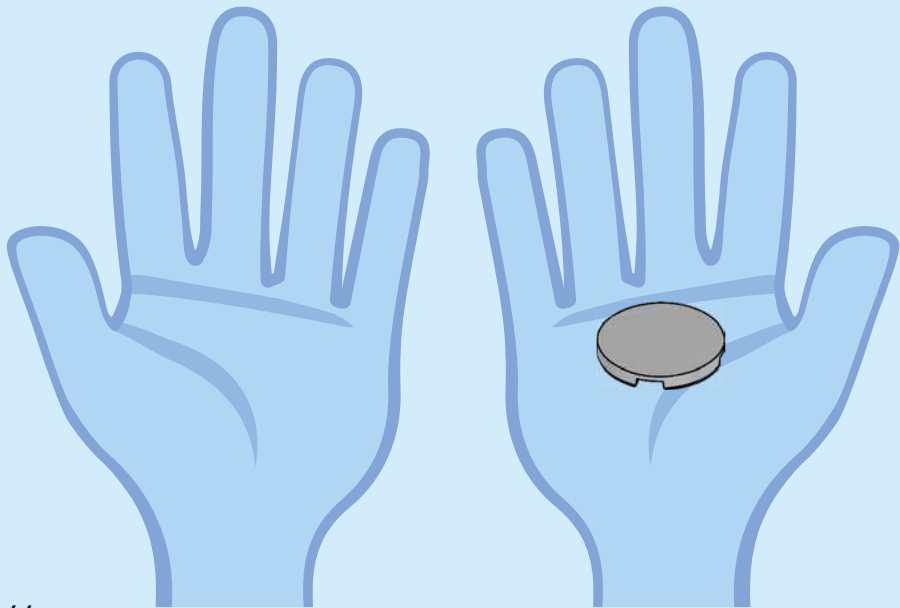


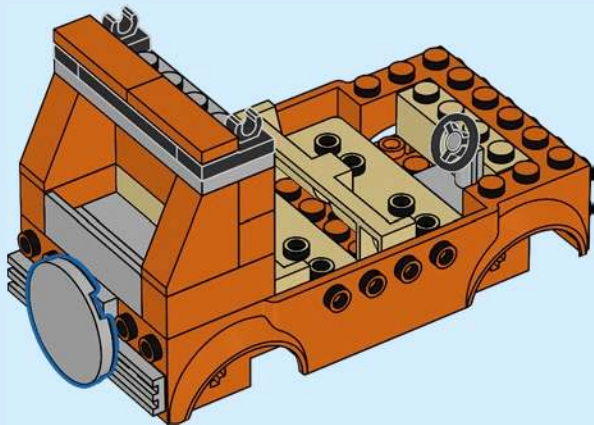


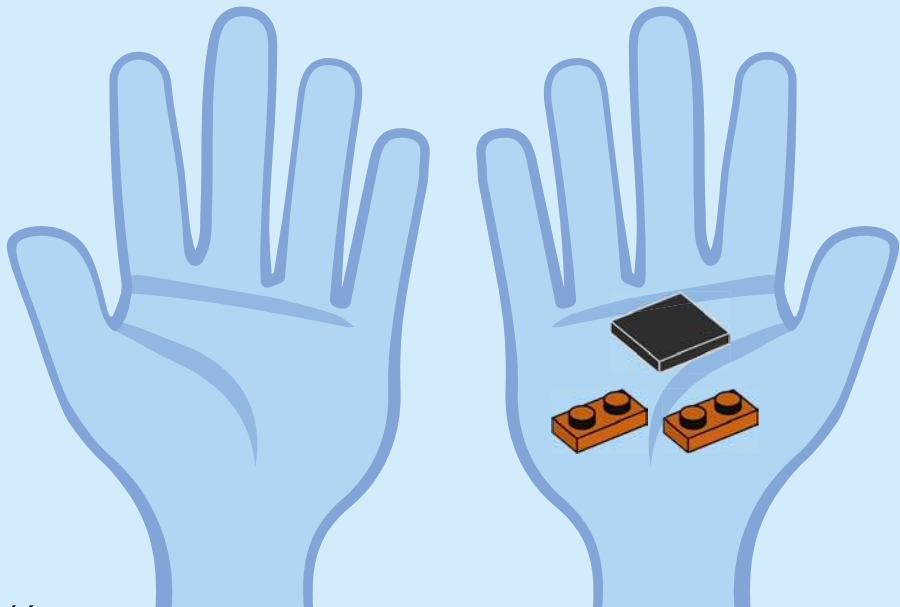


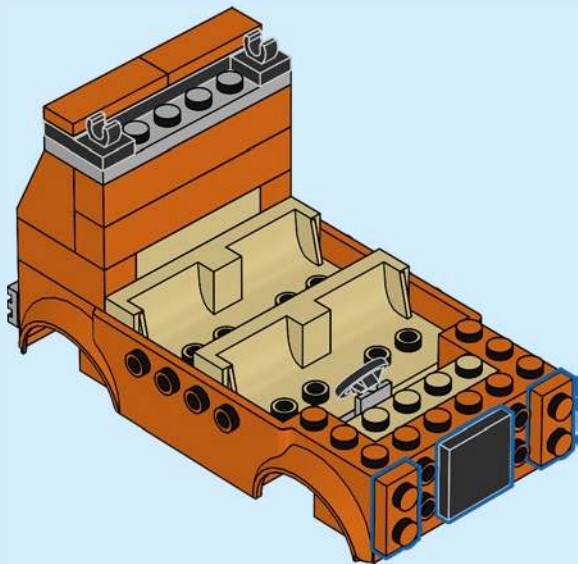


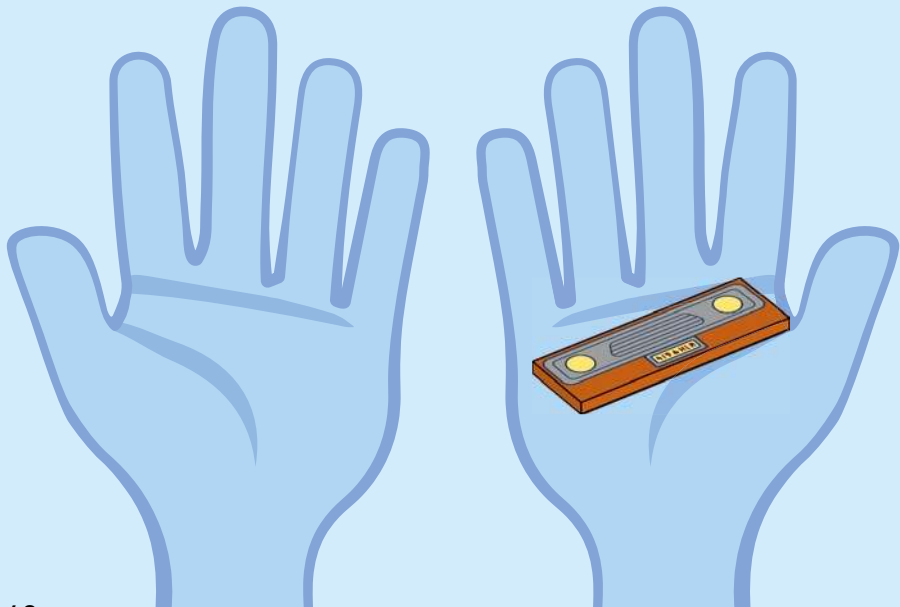


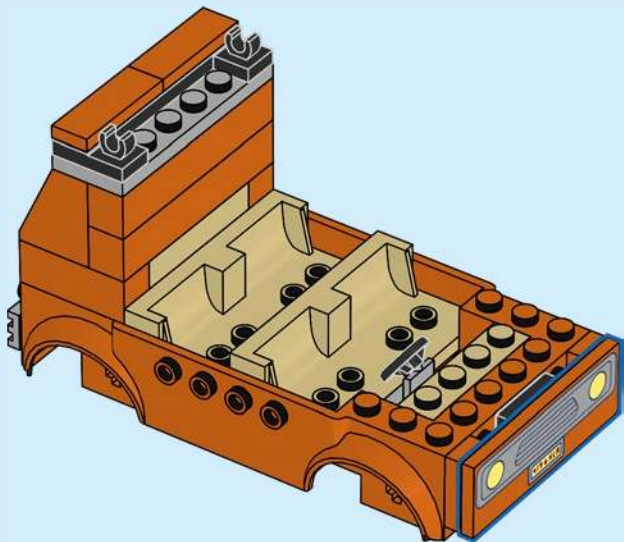


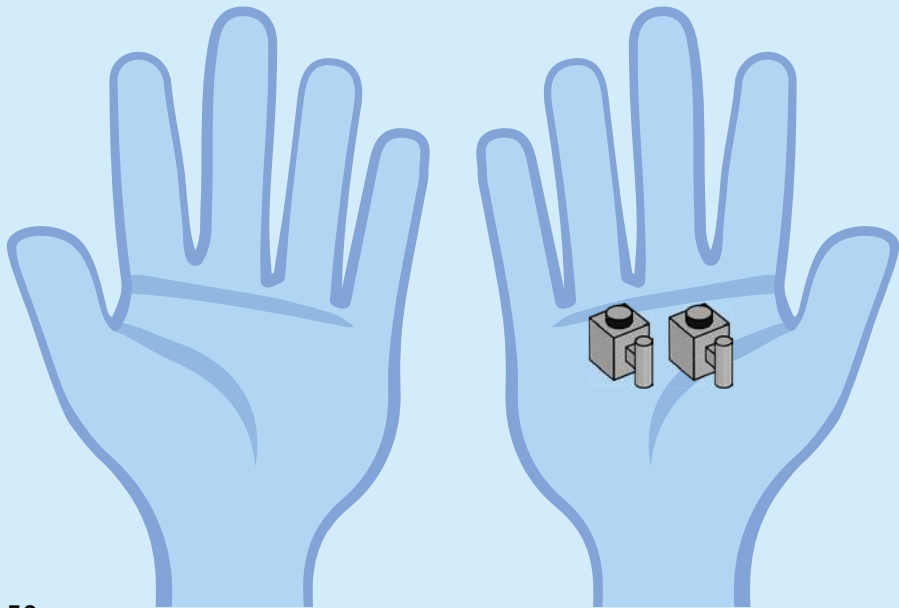


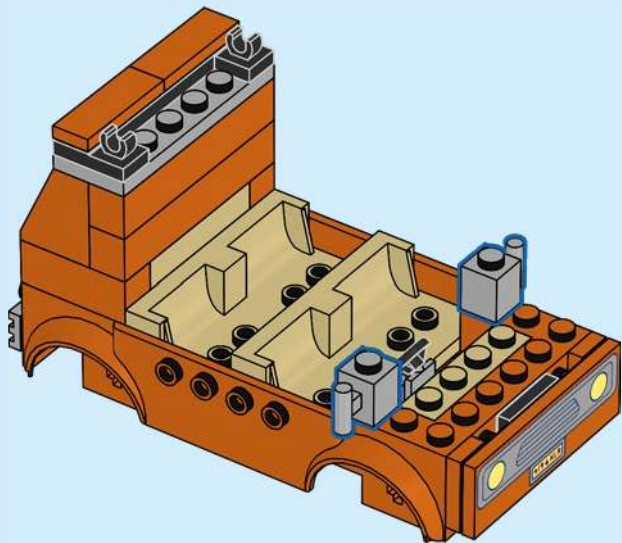


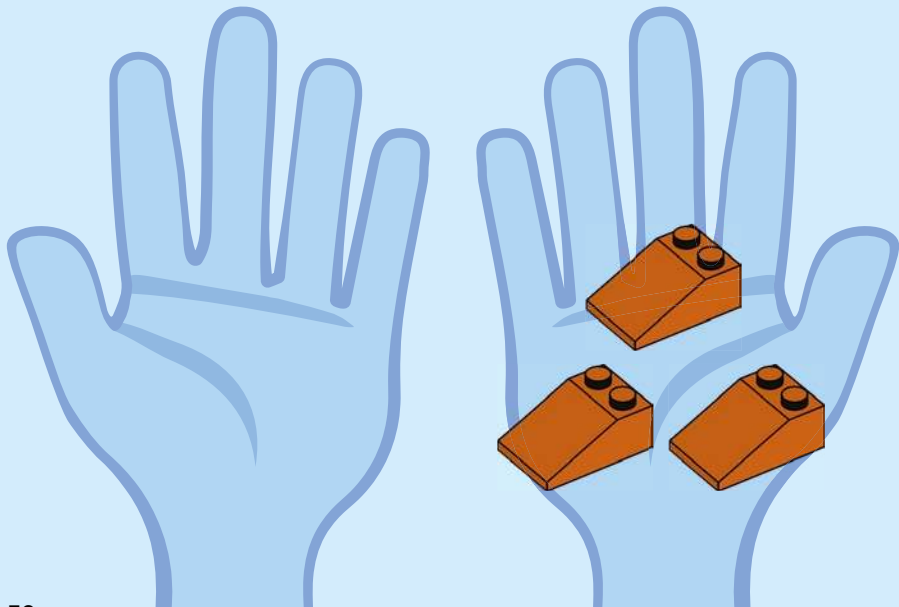


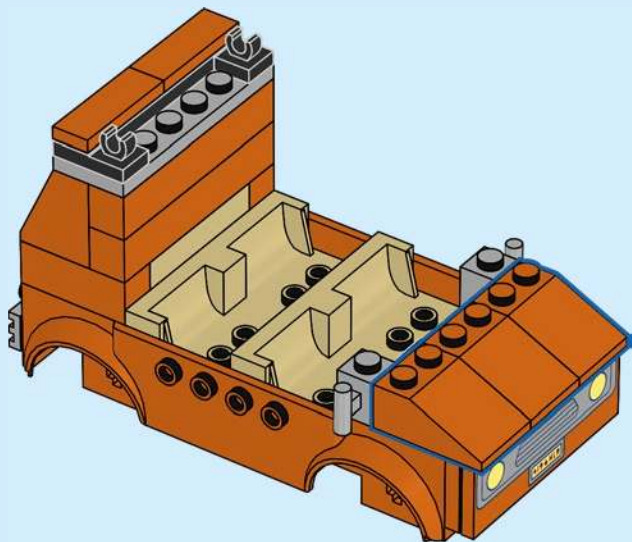


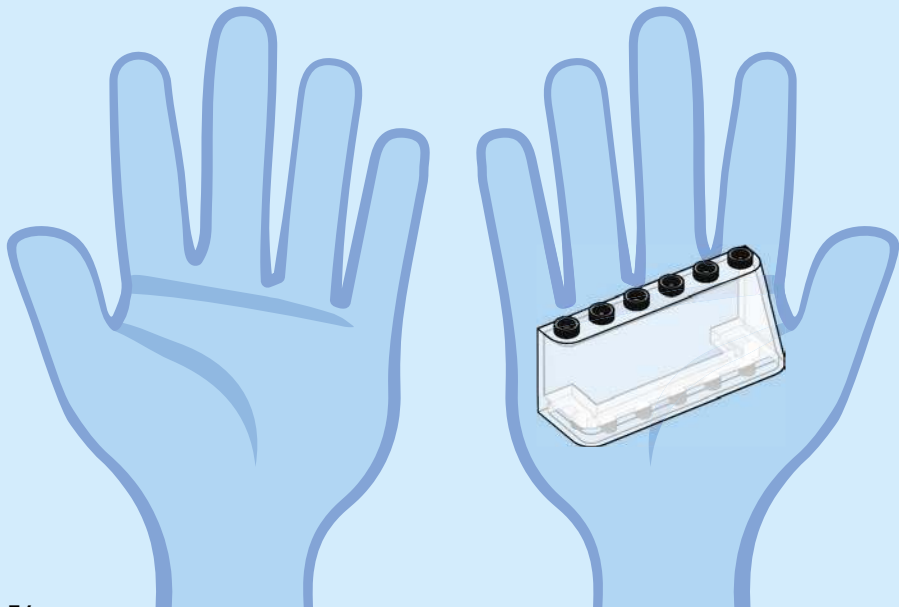


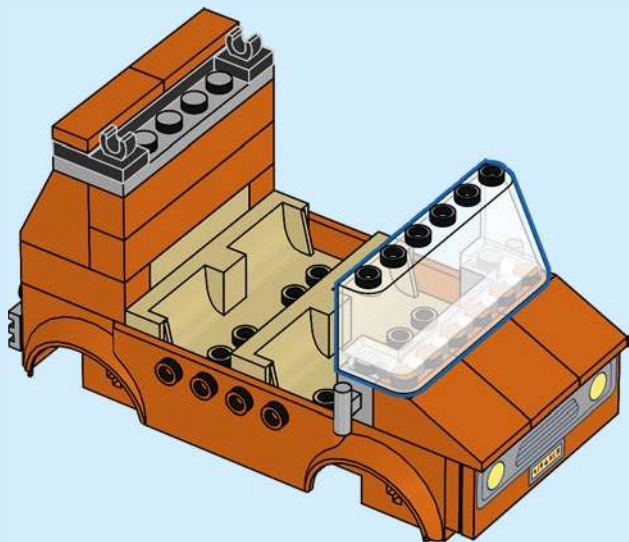


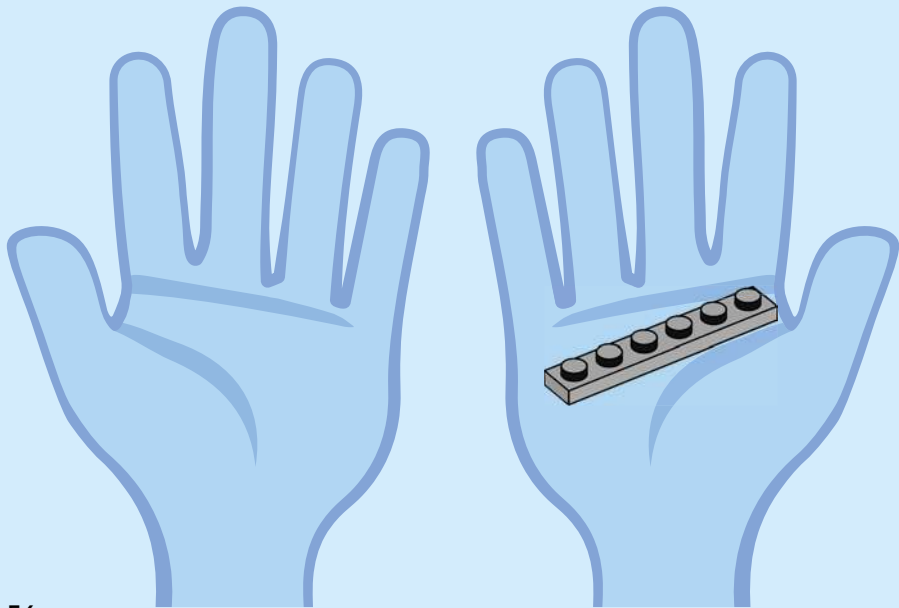


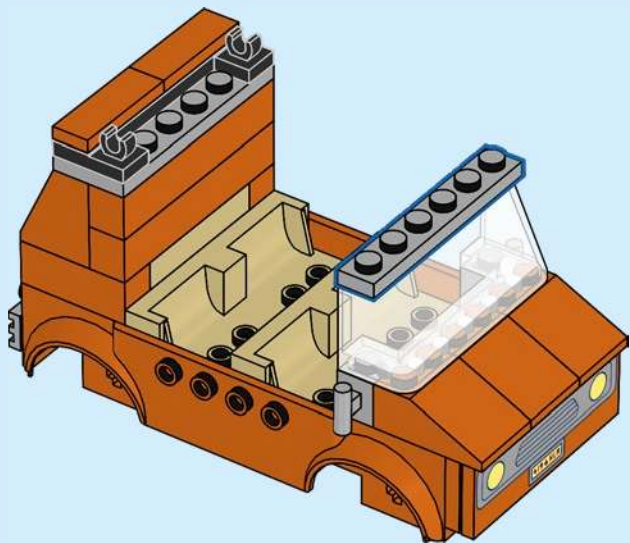


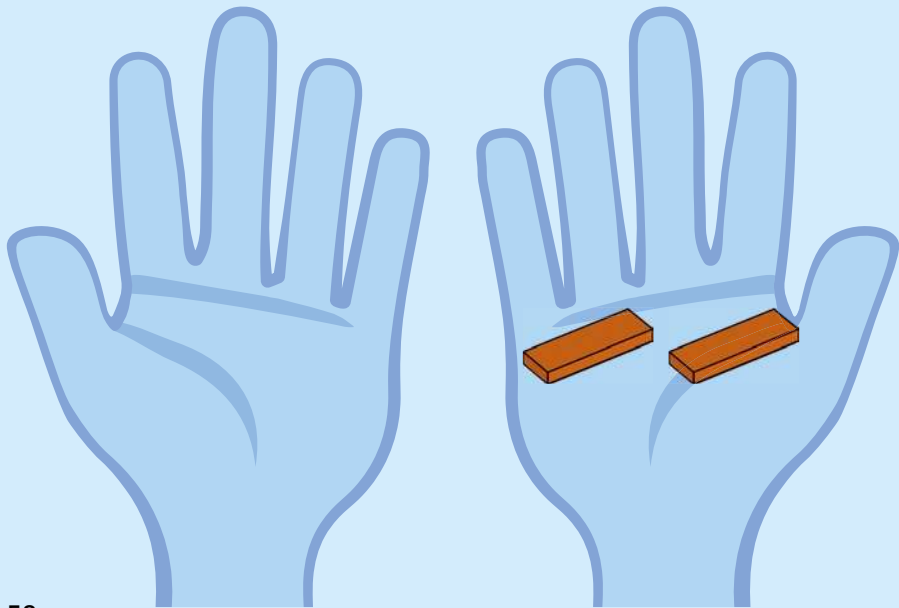


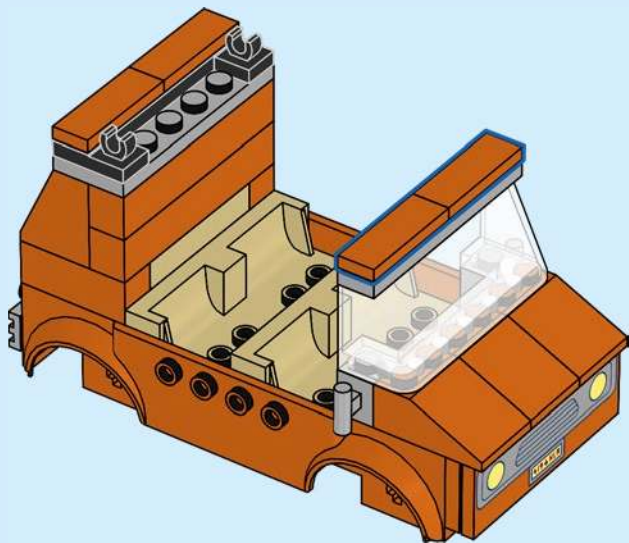


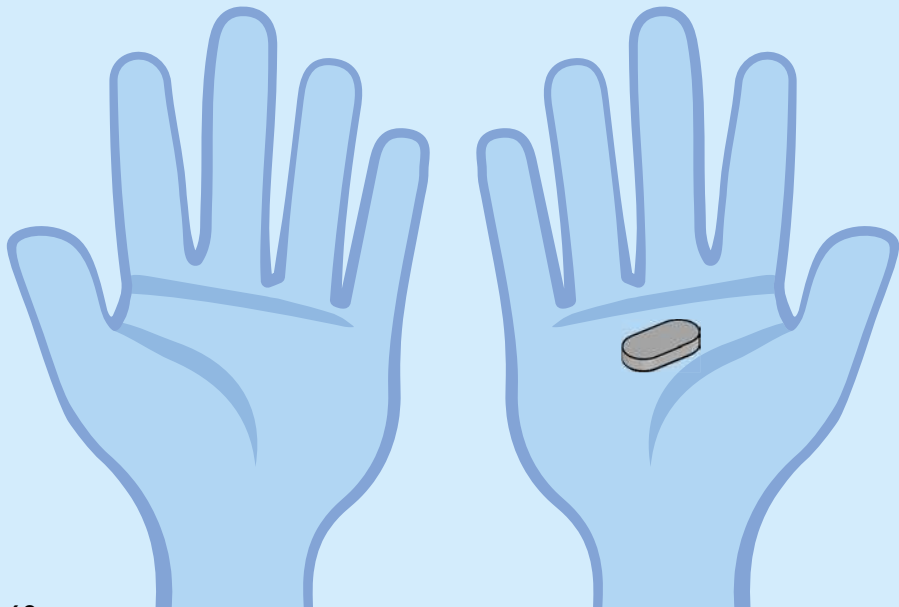


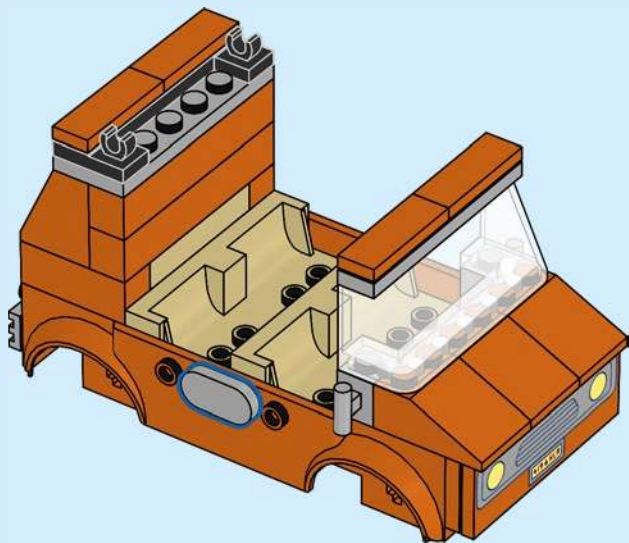


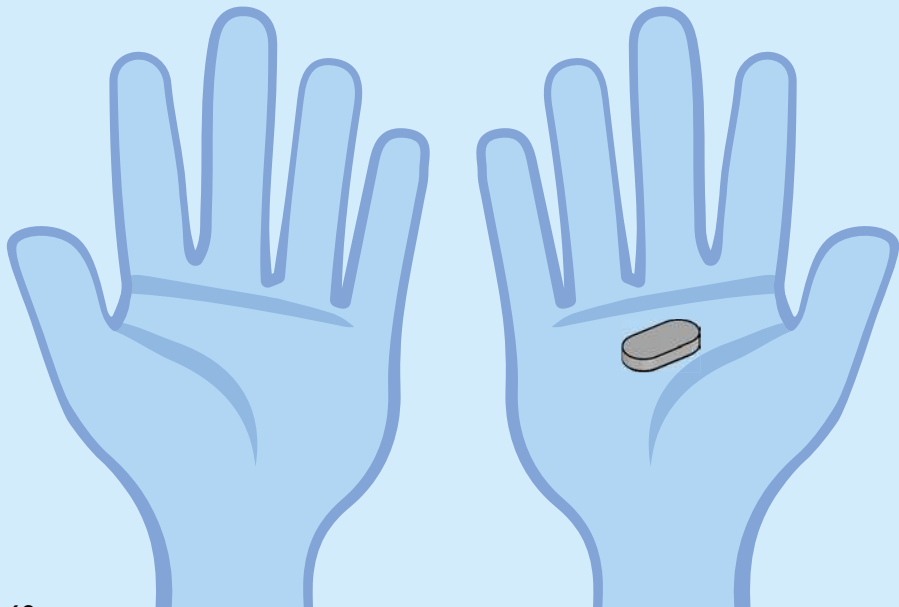


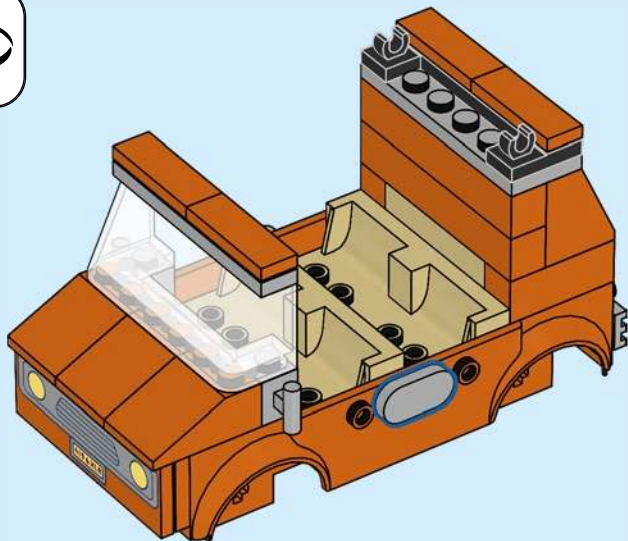


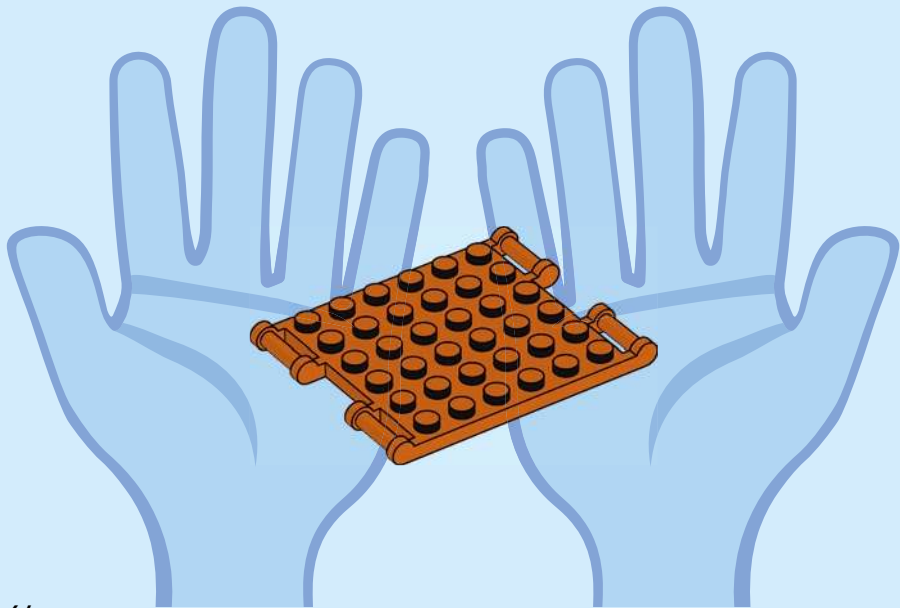


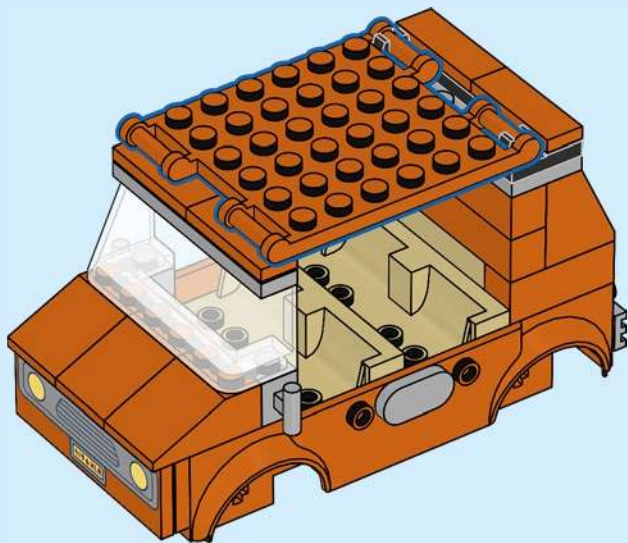


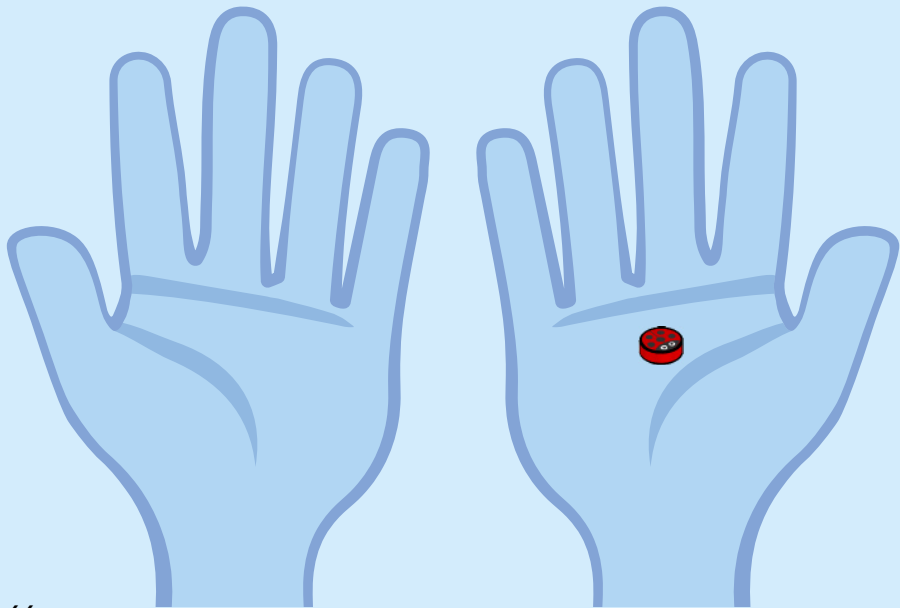


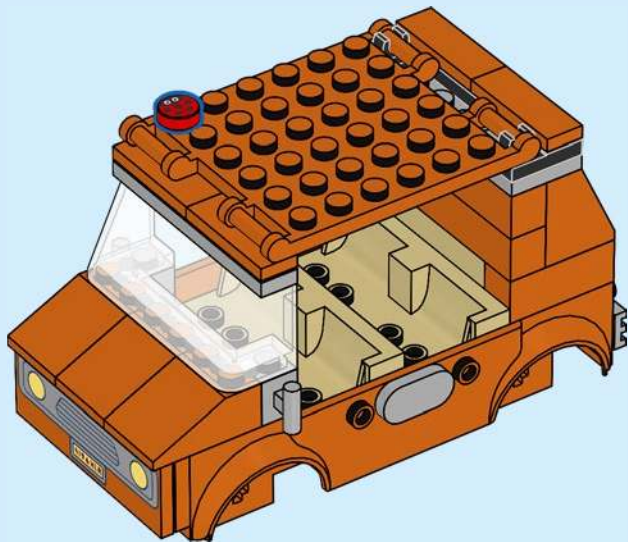




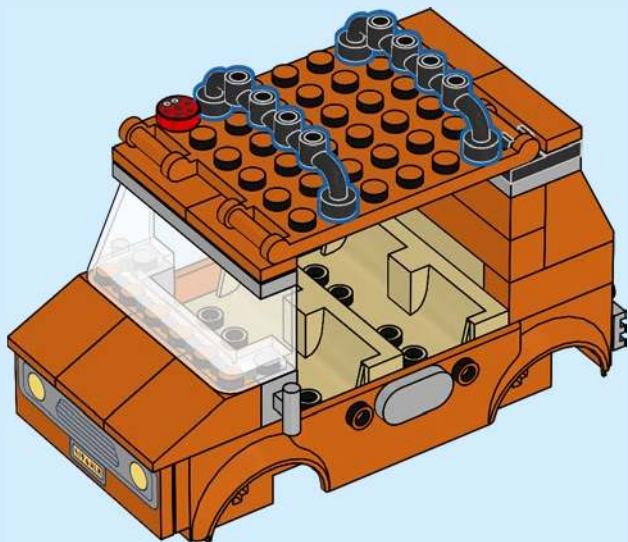


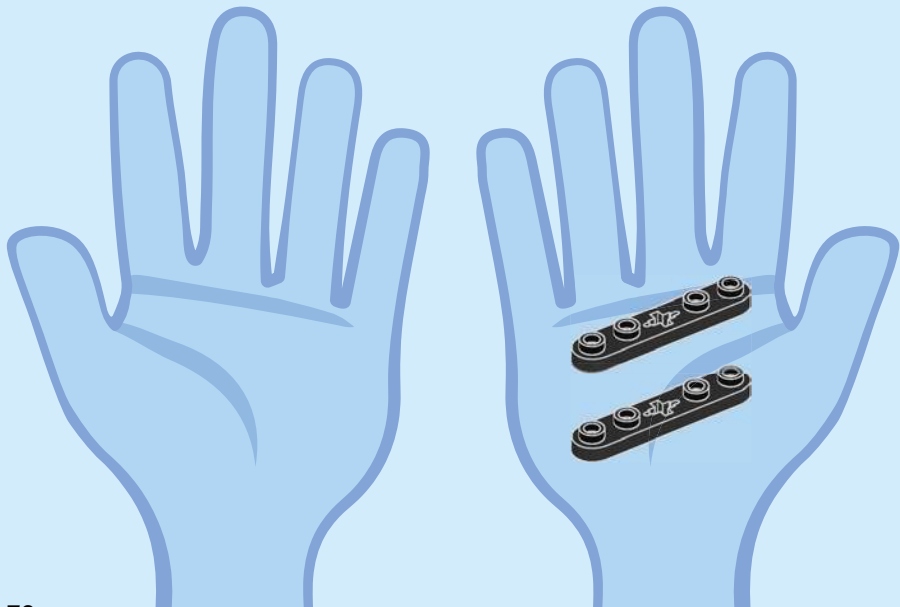


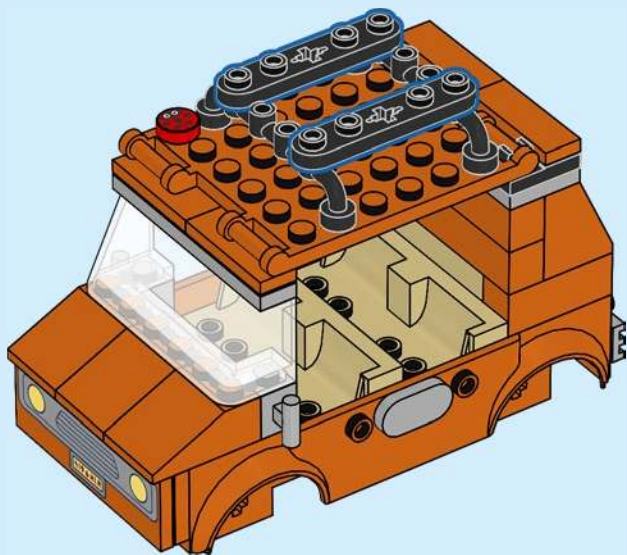


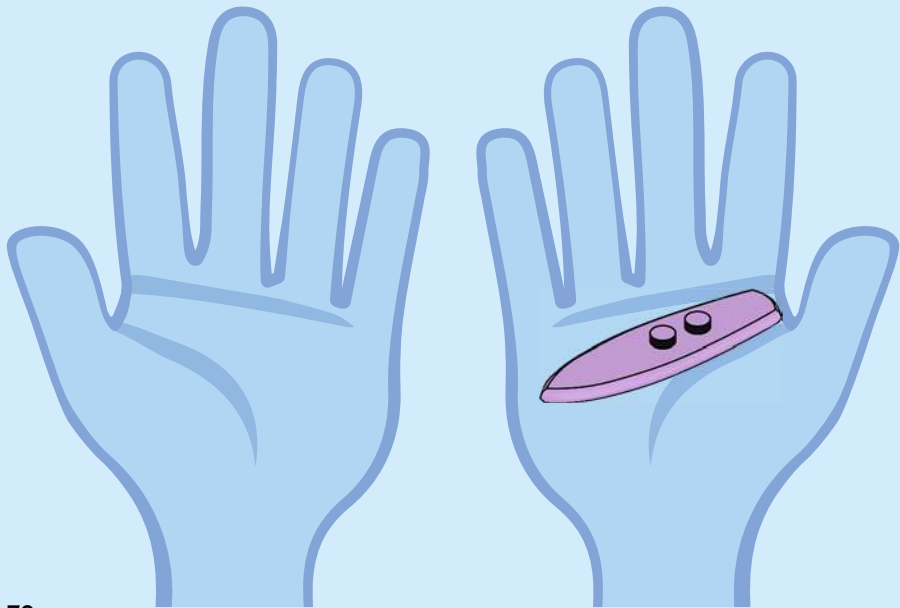


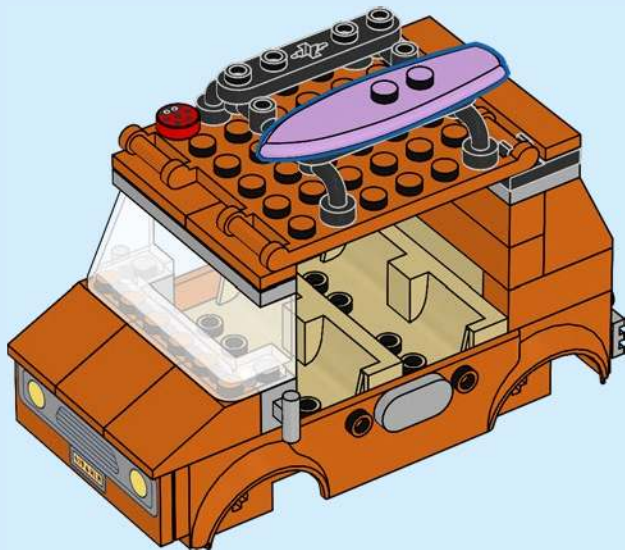




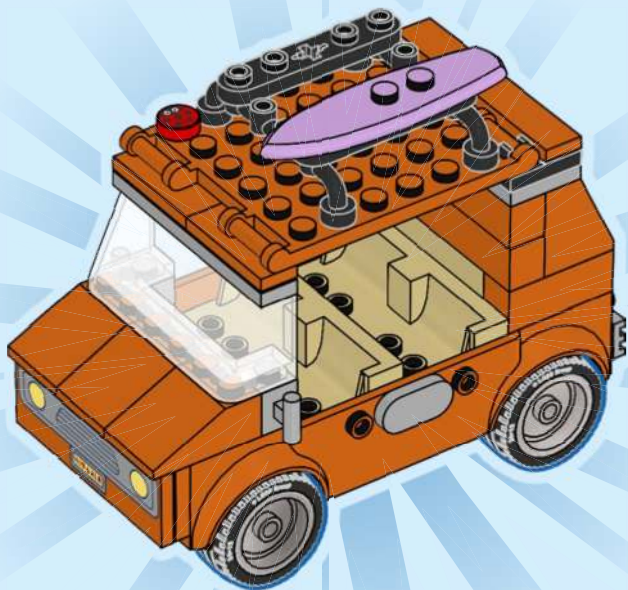


















Rebuild  
the  
World 



BBC  
STUDIOS



4+

BLUEY (word mark and character logos) are trade marks of Ludo Studio Pty Limited and are used under license. BLUEY logo © Ludo Studio Pty Limited 2018. Licensed by BBC Studios. BBC is a trade mark of the British Broadcasting Corporation and is used under license. BBC logo © BBC 1996



LEGO and the LEGO logo are trademarks of the LEGO Group.  
©2025 The LEGO Group.

BLUEY (word mark and character logos) are trade marks of Ludo Studio Pty Limited and are used under license. BLUEY logo © Ludo Studio Pty Limited 2018. Licensed by BBC Studios. BBC is a trade mark of the British Broadcasting Corporation and is used under license. BBC logo © BBC 1996



6580244

**Rebuild  
the  
World** 