

MOVA Z50 Ultra

Robot Vacuum and Mop with
Auto-Empty and Mop Self-Cleaning
User Manual



The illustrations in this manual are for reference only. Please refer to the actual product.

Contents

EN	User Manual	01
DE	Benutzerhandbuch	33
FR	Mode d'emploi	65
IT	Manuale d'uso	97

Safety Information

To avoid electric shock, fire or injury caused by improper use of the appliance, please read the user manual carefully before using the appliance and keep it for future reference.

Usage Restrictions

- This product should not be used by children younger than 8 years old nor persons with physical, sensory, intellectual deficiencies, or limited experience or knowledge without the supervision of a parent or guardian to ensure safe operation and to avoid any risks. Cleaning and maintenance shall not be performed by children without supervision.
- The appliance is only to be used with the power supply unit provided with the appliance.
- This appliance contains batteries that are only replaceable by skilled persons.
- Clear the area to be cleaned. Children shall not play with the appliance. Ensure children and pets are kept at a safe distance from the robot while it is operating.
- Do not install, charge or use the appliance in the bathrooms or around the pools.
- This product is for floor cleaning in a home environment only. Do not use it outdoors, on non-floor surfaces, or in a commercial or industrial setting.
- Ensure that the appliance operates correctly in a proper environment. Otherwise, do not use the appliance.
- If the power cord is damaged, it must be replaced by a special cord or assembly available from the manufacturer or its service agent.

Safety Information

Usage Restrictions

- Do not use the robot in an area suspended above ground level without a protective barrier.
- Do not place the robot upside down. Do not use the LDS cover, robot cover, or bumper as a handle for the robot.
- Use the robot in environments with an ambient temperature above 0°C and below 40°C. Make sure there is no liquid or sticky substance on the floor.
- To prevent damage or harm from dragging, clear any loose objects from the floor, and remove cables or power cords on the cleaning path before operating the appliance.
- Remove fragile or small items from the floor to prevent the robot from bumping into and damaging them.
- Keep hair, fingers, and other body parts away from the suction opening of the robot.
- Keep the cleaning tool out of reach of children.
- Do not operate the appliance in a room where an infant or child is sleeping.
- Do not place children, pets, or any item on top of the robot regardless of whether it is stationary or moving.
- Only clean water and the officially-approved cleaning solution can be added to the clean water tank. Do not add any other liquid such as alcohol or disinfectant. The ratio of the cleaning solution to clean water can be checked on the cleaning solution bottle. Keep the cleaning solution out of reach of children.

Safety Information

Usage Restrictions

- Do not use the robot to clean any burning objects. Do not use the robot to pick up flammable or combustible liquids, corrosive gases, or undiluted acids or solvents.
- Do not vacuum hard or sharp objects. Do not use the appliance to pick up objects such as stones, large pieces of paper or any item that may clog the appliance.
- Plug must be removed from the socket-outlet before cleaning or maintaining the appliance.
- Do not wipe the robot or the base station with a wet cloth or rinse them with any liquid. After cleaning washable parts, fully dry the parts before reinstalling and using them.
- Please use this product in accordance with the instructions in the User Manual. Users are responsible for any loss or damage that arise from improper use of this product.

Batteries and Charging

- Do not use any third-party battery or base station. The robot can only be used with the model RCZE0301 base station.
- Do not attempt to disassemble, repair, or modify the battery or the base station on your own.
- Do not place the base station near a heat source.
- Do not use a wet cloth or wet hands to wipe or clean the base station's charging contacts.

Safety Information

Batteries and Charging

- Do not improperly dispose of old batteries. Unneeded batteries should be discarded at an appropriate recycling facility.
- If the power cord becomes damaged or broken, stop using it immediately and contact after-sales service.
- Make sure the robot is turned off when being transported and kept in its original packaging if possible.
- If the robot will not be used for an extended period of time, fully charge it, then turn it off and store it in a cool, dry place. Recharge the robot at least once every 3 months to avoid over-discharging the battery.

Laser Safety Information

- The laser sensor in this product meets the IEC 60825-1:2014/EN 60825-1:2014/A11:2021 Standard for Class 1 laser products. Please avoid direct eye contact with it during use.

CLASS 1 LASER PRODUCT
CONSUMER LASER PRODUCT
EN 50689:2021



For indoor use only

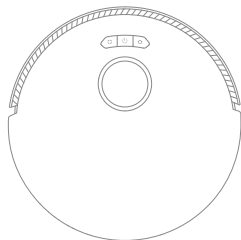


Read operator's manual

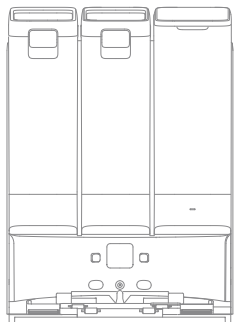
Hereby, XingKuang Innovation Technology (Suzhou) Co., Ltd. declares that the radio equipment type RLZ92CE is in compliance with Directive 2014/53/EU. The full text of the EU declaration of conformity is available at the following internet address: <https://www.mova.tech>
For detailed e-manual, please go to <https://www.mova.tech/pages/user-manuals-and-faqs>

Product Overview

Package Contents



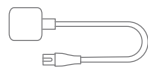
Robot



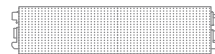
Base Station



Side Brush
(pre-installed)



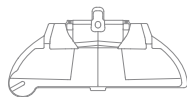
Power Cord



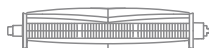
Mop Assembly
(pre-installed)



Base Station Ramp
Extension Plate
(install before use)



Washboard
(pre-installed)



Main Brush
(pre-installed)



Edge Mop Pad



Dust Bag
(pre-installed)



Cleaning Solution



Cleaning Tool
(store in the base station)

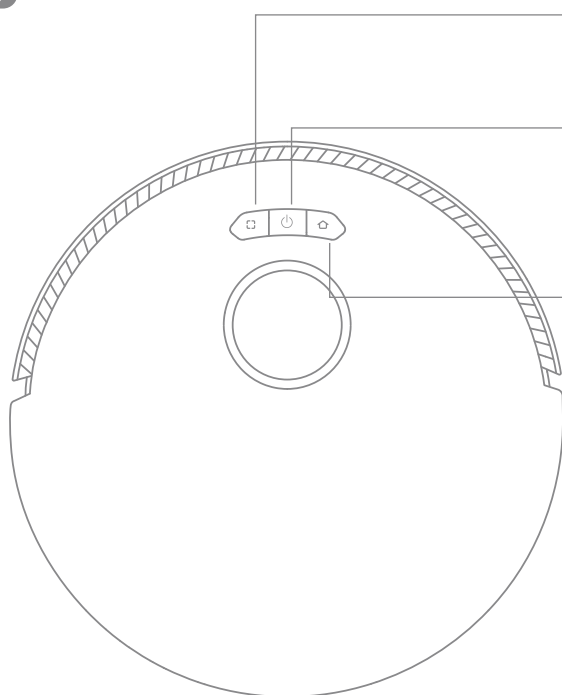


User Manual

Other Accessories

Product Overview

Robot



□ Spot Cleaning Button

- Press to start spot cleaning

⏻ Power / Clean Button

- Press and hold for 3 seconds to turn on or off
- Press to start cleaning after the robot is turned on

🏠 Dock Button

- Press to send the robot back to the base station
- Press and hold for 3 seconds to disable Child Lock

Status Indicator

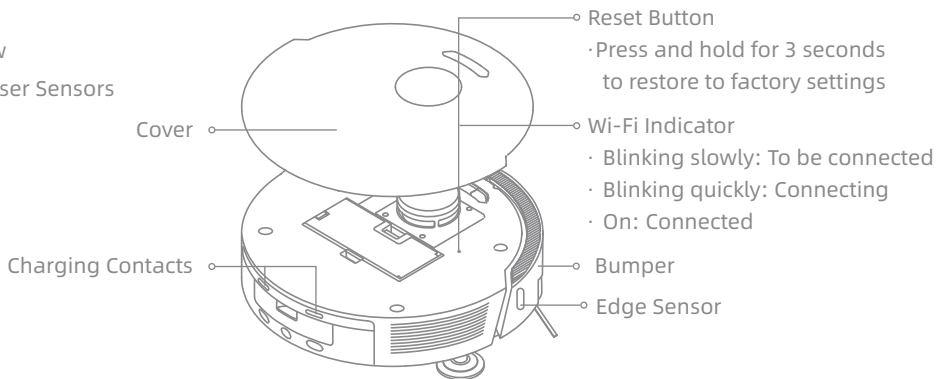
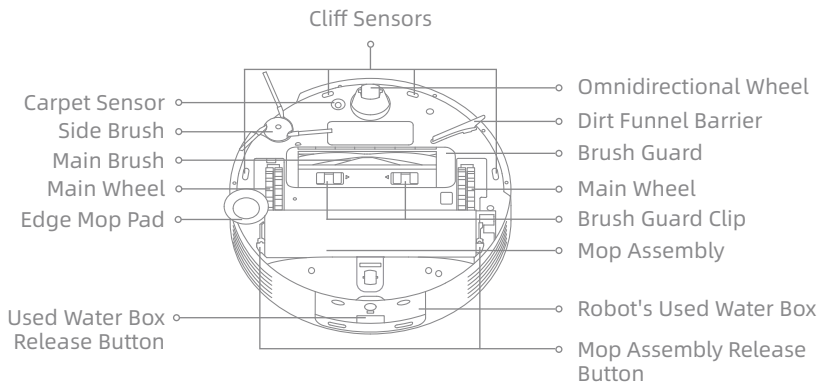
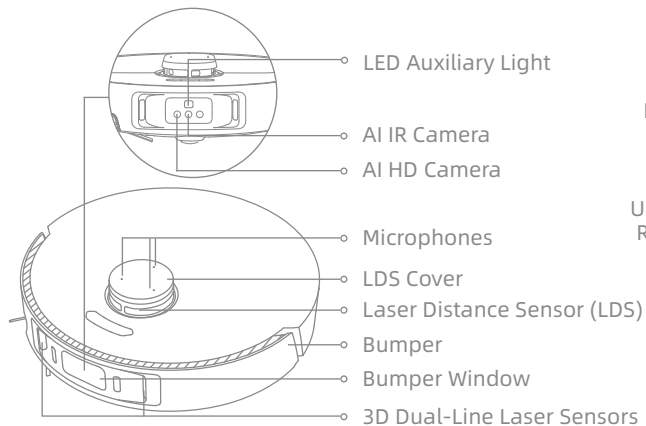
- Solid White: Cleaning or cleanup completed
- Blinking Orange: Error
- Solid Orange: Standby at low battery or paused at low battery

• **Note:** Press any button on the robot to pause while the robot is cleaning or returning to charge.

• Child Lock can be enabled/disabled through the MOVAhome App.

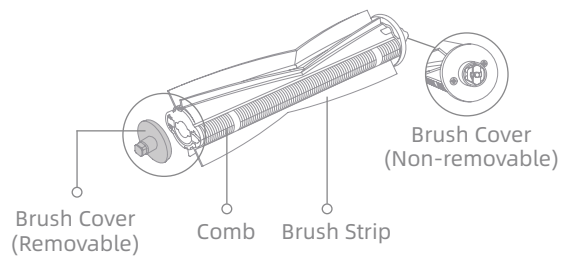
Product Overview

Robot and Sensors

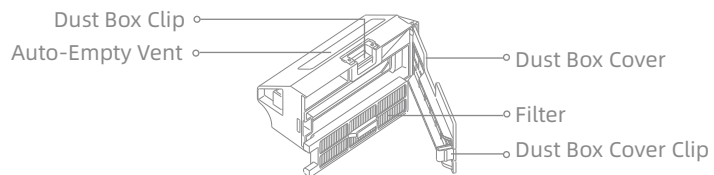


Product Overview

Main Brush

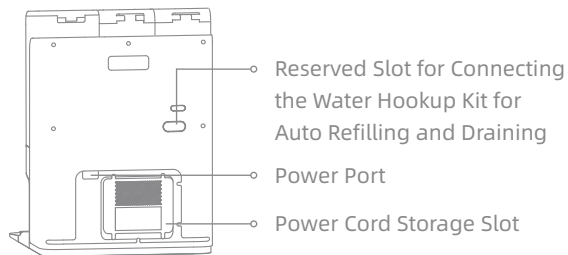
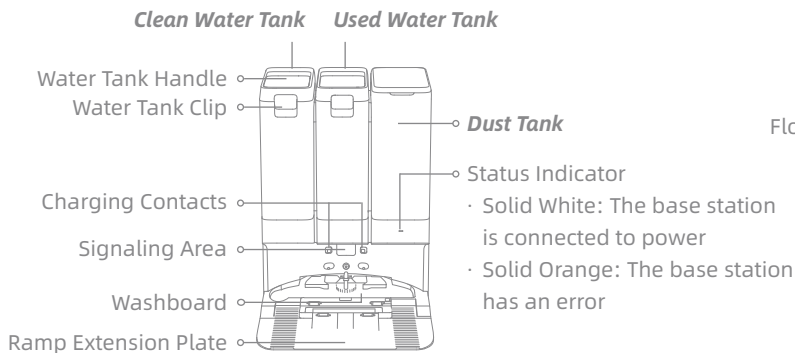


Dust Box



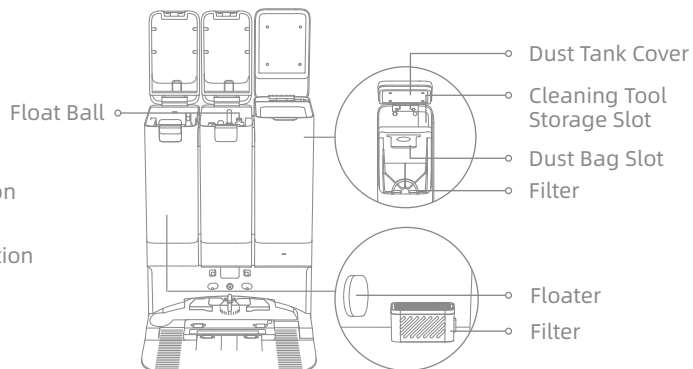
Product Overview

Base Station (external)

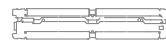


Note: The water hookup kit for auto refilling and draining needs to be purchased separately. (Only available in specific regions)

Base Station (internal)



Mop Assembly

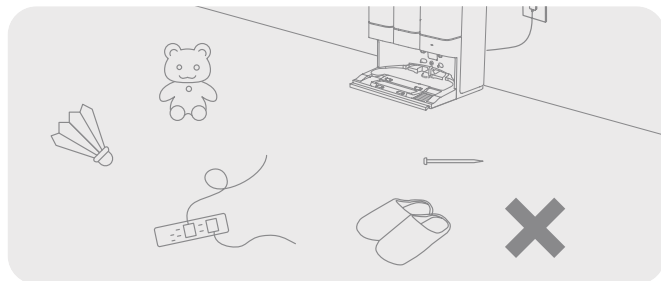


Mop Pad Holder

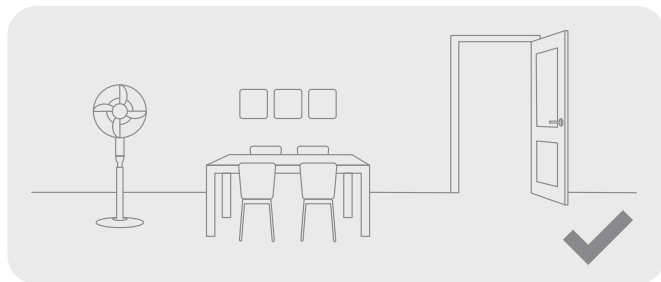


Mop Pad

Preparing Your Home



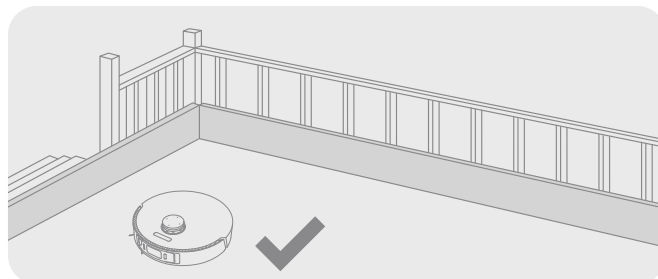
Before cleaning, please move away unstable, fragile, valuable or dangerous items, and clean up cables, cloths, toys, hard objects and sharp objects on the ground to avoid being entangled, scratched or knocked over by the robot and causing losses.



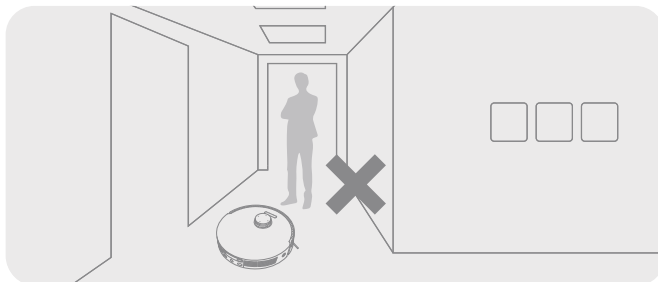
Open the door of the room to be cleaned, and put the furniture in its proper place to leave more space.

Note:

- When operating the robot for the first time, follow it around while cleaning to remove any potential obstacles in time.
- The LED auxiliary light will provide auxiliary lighting in dimly lit environments.
- Do not vacuum hard objects like stones, steel balls and toy parts, or sharp objects like construction waste, broken glass and nails, otherwise the ground may be scratched.



Before cleaning, place a physical barrier at the edge of the stairs to ensure the secure and smooth operations of the robot.

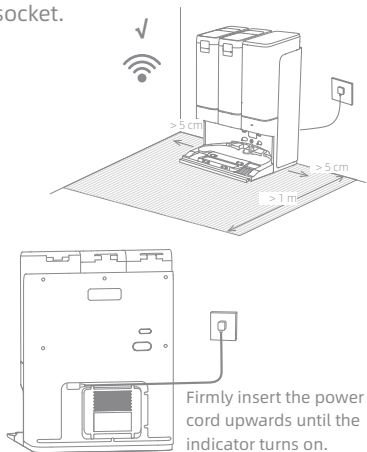


To prevent the robot from missing areas that need to be cleaned, do not stand in front of the robot, threshold, hallway, or narrow places.

Before Use

1. Place the Base Station and Connect to an Electrical Outlet

- ① Remove the protections of the base station.
- ② Place the base station in a location that is as open as possible with a good Wi-Fi signal. Leave enough space as shown in the figure and remove any objects in the shaded area. Insert the power cord into the base station and plug it into the socket.

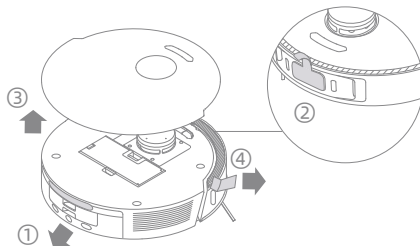


Note:

- Make sure that no objects might block the signaling area.
- To prevent water stains from wetting wood floors or carpets, placing the base station on tile floors or marble floors is recommended.

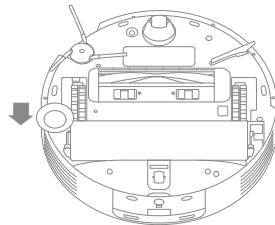
2. Remove Robot Protections

Remove the protections of the robot as shown in the below.



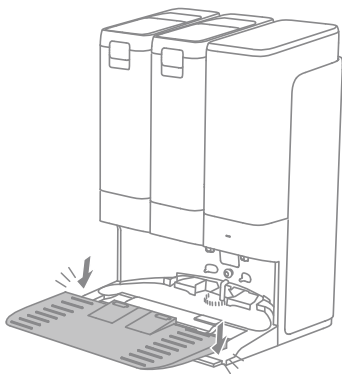
3. Install the Edge Mop Pad

Install the edge mop pad onto the back of the robot.




Before Use

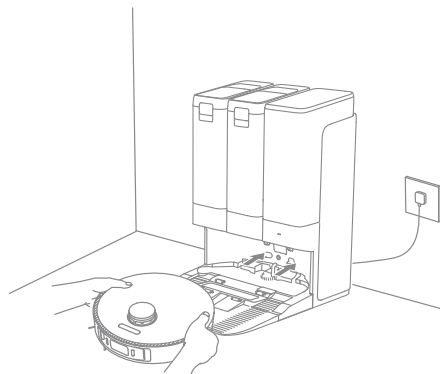
4. Install the Ramp Extension Plate



Note: Install the ramp extension plate until it clicks into place.

5. Connect the Robot to the Base Station

Press and hold the button  on the robot for 3 seconds to turn it on. Place the robot onto the base station with the mop assembly facing toward the washboard. Then you will hear a voice notification when the robot successfully connects to the base station.

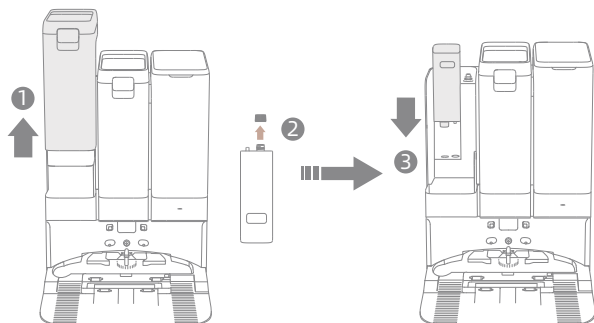


Note: It is recommended to fully charge the robot before its first use. When the robot cannot be turned on after the battery is depleted, manually connect the robot with the station to charge it.

Before Use

6. Install the Cleaning Solution

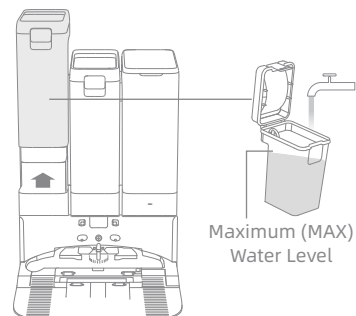
Take out the clean water tank from the base station, unscrew the cleaning solution cap, and insert the cleaning solution into the base station's slot. The cleaning solution will be added automatically during operation.



Note: Do not add any liquid other than the officially-approved cleaning solution to help prevent malfunction.

7. Add Water to the Clean Water Tank

Take out the clean water tank from the base station and fill up the tank with clean water to the maximum (MAX) water level. Then install it back into the base station.



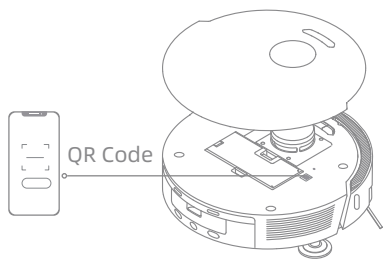
Note:

- Do not add hot water into the water tank, as this may cause the tank to become deformed.
- Prevent person and pets from drinking the water in the water tank and washboard base.

Connecting with the MOVAhome App

1. Download the MOVAhome App

Remove the robot cover and scan the QR code on the robot, or search "MOVAhome" in the app store to download and install the app.



Note:

- Only 2.4 GHz Wi-Fi is supported.
- Due to upgrades in the app software, the actual operations may differ from the directions in this manual. Please follow the instructions based on the current app version.

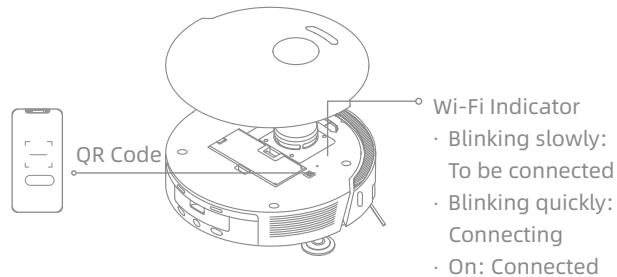
2. Add Device

Open the MOVAhome app, tap "Scan QR code to connect", and scan the same QR code on the robot again to add the device. Please follow the prompts to finish the Wi-Fi connection.

* Wi-Fi indicator starts blinking slowly and it indicates that the robot has entered the network configuration.



Note: To reset Wi-Fi, repeat step 2 and then follow the prompts to finish the Wi-Fi connection.

To disconnect the device from Wi-Fi network, press and hold the Reset button on the robot for 3 seconds.



How to Use

Turn On/Off

Press and hold the button  for 3 seconds to turn on the robot. The power indicator will remain lit. To turn off the robot, move the robot away from the base station and press and hold the button  for 3 seconds.

Fast Mapping

After configuring the network for the first time, follow the instructions in the app to quickly create a map. The robot will start mapping without cleaning. When the robot returns to the base station, the mapping process has been completed and the map will be saved automatically.

Pause/Sleep

When the robot is running, press any button to pause it.

If the robot is paused for more than 10 minutes, it automatically enters sleep mode. All indicators on the robot will turn off. Press any button on the robot, or use the app to wake up the robot.

Note: If the robot is paused and placed onto the base station, the current cleaning process will end.

Auto Resume Cleaning

If the battery is too low, the robot will automatically return to the base station to charge. After charging to the appropriate battery level, it will resume unfinished cleaning tasks.

Note: To use this function, please enable it in the app.


Do Not Disturb (DND) Mode

When the robot is set to the Do Not Disturb (DND) mode, the robot will be prevented from resuming cleaning. The DND mode is disabled by default at the factory. You can use the app to enable the DND mode or modify the DND period. The DND period is 22:00-8:00 by default.



Note:

- The scheduled cleaning tasks will be performed as usual during the DND period.
- The robot will resume cleanup where it left off after the DND period expires.

Spot Cleaning

When the robot is on standby, press briefly the button  to enable the spot cleaning mode. In this mode, the robot cleans a square-shaped area of 1.5 × 1.5 meters around it and returns to its starting point once the spot cleaning is completed.

Robot Restarting


If the robot stops responding or cannot be turned off, press and hold the button  for 10 seconds to forcefully turn it off. Then, press and hold the button  for 3 seconds to turn the robot on.

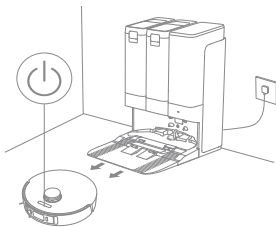
How to Use

Vacuum and Mop

Note: After installing the mop assembly, the robot will operate in "Vacuum and Mop" mode by default during its first use.

1. Start cleaning

Press the button  on the robot, or use the app to make the robot start from the base station. Then the robot will plan the optimal cleaning route and perform the cleaning task based on the created map.



Note:

- To ensure the robot easily returns to the base station after cleaning, it is recommended to make the robot start from the base station.
- The mop pads will be cleaned before the robot starts mopping, please wait patiently.
- Do not move the base station, the clean water tank, or the used water tank during operation.
- Hot water cleaning can be enabled in the app for mop pad cleaning and washboard base cleaning tasks, which applies to all modes. To prevent scalding, do not touch the washboard water outlet when the function is on.

2. Auto mop washing

When cleaning, the robot will automatically return to the base station to wash mop pads based on the mop pad cleaning frequency specified in the app. The base station will automatically empty or refill the robot's water tank and the robot will resume cleanup.

3. Automatically empty the dust box and wash and dry the mop pads

After the robot finishes a cleaning task and returns to the base station to charge, the base station will automatically empty the dust box and then wash and dry the mop pads.

Note:

- If the auto-empty function is turned off in the app, the base station will not automatically empty the dust box.
- The base station will empty the dust box according to the setting in the app.

4. Clean the used water tank

After the robot has completed its task, please clean the used water tank to prevent any odor.

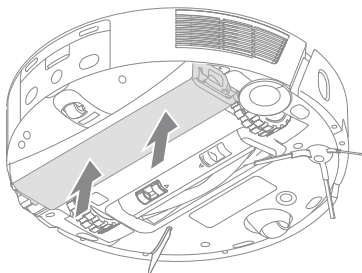
How to Use

Mop after Vacuuming

Enable the mopping after vacuuming function in the app, and the robot will automatically lift the mop assembly on the base station to vacuum the floor. Once the vacuuming is completed, the robot will return to the base station where the dust box will be emptied automatically. Then, the robot will start mopping while lowering the mop and lifting the main brush and side brush.

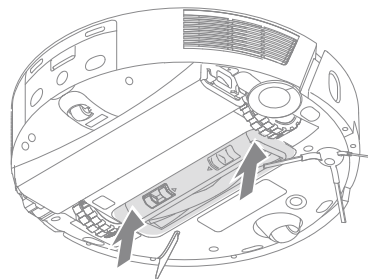
Vacuum Only

Enable the vacuuming function in the app, and the robot will automatically lift the mop assembly on the base station and start vacuuming.



Mop Only

Enable the mopping function in the app, and the robot will automatically start mopping while lowering the mop assembly and lifting the main brush and side brush.



Routine Maintenance

Parts

To keep the robot in good condition, it is recommended to refer to the accessory usage in the app or the following table for routine maintenance.

Part	Maintenance Frequency	Replacement Period
Used water tank	After each use	/
Clean water tank	Once every 2 weeks	
Main brush		Every 6 to 12 months
Dust box's filter		Every 3 to 6 months
Side brush		
Washboard	Once every month	
Base station's signaling area		
Base station's charging contacts		
Base station's auto-empty vent		
Omnidirectional wheel		
Edge sensor		
Laser distance sensor (LDS)		
3D dual-line laser sensors		

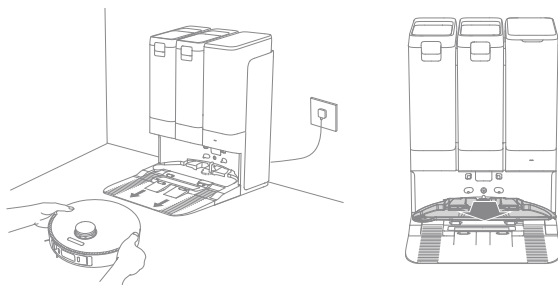
Part	Maintenance Frequency	Replacement Period
Bumper window	Once every month	/
Carpet sensor		
Cliff sensors		
LED auxiliary light		
Robot's charging contacts		
Bumper		
Robot's auto-empty vent		
Robot's automatic water refilling inlet		
Bottom of the robot		
Cleaning solution refilling port		
Dust box	Clean it as needed	
Robot's used water box		
Fluffing roller		
Dust bag	/	Every 2 to 4 months
Mop pad		Every 1 to 3 months
Edge mop pad		Every 1 to 3 months
Scale inhibitor		Every 18 to 36 months

Note: The replacement frequency will depend on your usage of the robot. If an exception occurs due to special circumstances, the parts should be replaced.

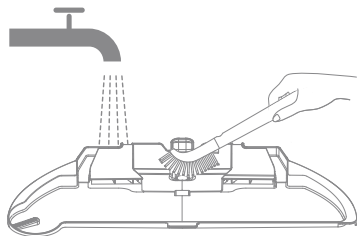
Routine Maintenance

Washboard

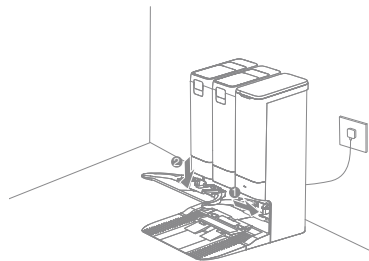
1. Take out the robot and remove the washboard while the mop pad cleaning is complete.




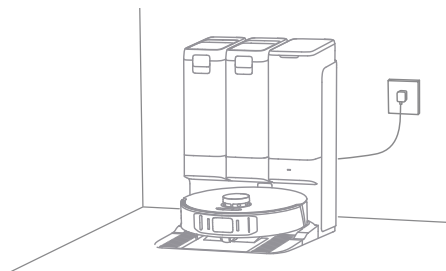
2. Rinse the washboard with clean water and wipe it clean.



3. Tilt the washboard and put it back to the base station.



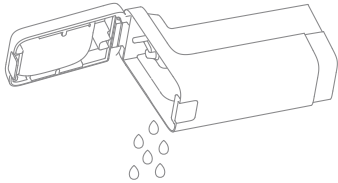
4. Use the App or press the button  to return the robot to the base station, or manually put the robot back.



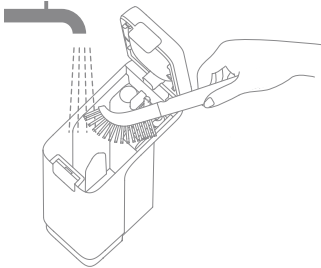
Routine Maintenance

Used Water Tank

1. Remove the used water tank, open its cover and pour out the used water.



2. Rinse the used water tank with clean water as needed, and use the provided cleaning tool to clean the inner wall of the used water tank.



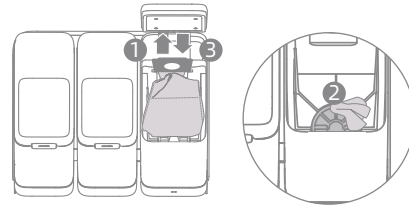
Note: The float ball in the used water tank is a movable part. Do not apply too much force when cleaning it to avoid damaging it.

Dust Bag

1. Open the dust tank cover and discard the dust bag. Wipe the filter with a dry cloth.

Note: Pulling upwards on the handle will seal the bag to prevent the dust and debris from accidentally falling out.

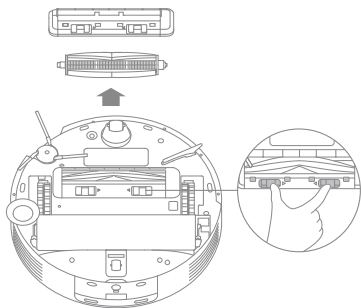
2. Install a new dust bag and reinstall the dust tank cover.



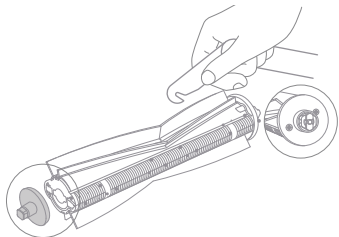
Routine Maintenance

Main Brush

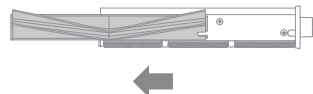
1. Press the brush guard clips inwards to remove the brush guard, and then lift the brush out of the robot.



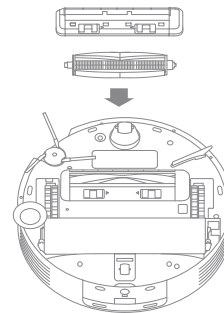
2. Pull out the square bearing end cover as shown in the figure, and then use a cleaning brush or other suitable tools to clean the foreign objects on the main brush.



3. Pull out and clean the brush strips as shown in the figure. Use a cleaning tool to clean the comb.



4. Reinstall the brush strips, brush cover, and brush in turn. Press on the brush guard to lock it in place.



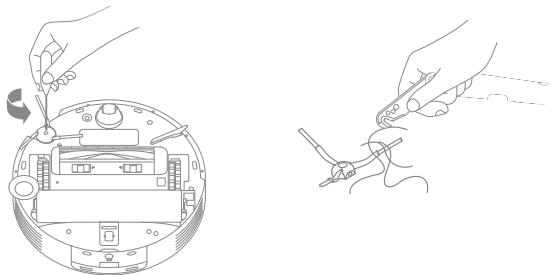
Note:

- It's recommended to remove the brush strips separately for water cleaning, but do not wash the main brush.
- If the main brush is severely tangled, please check whether the robot's dust box is full and cannot suck in hair. If so, please empty the dust box.
- Keep the main brush out of the reach of children and pets to avoid accidental injury.
- Be careful while pulling out the brush cover, removing and installing the brush strips to prevent injury.

Routine Maintenance

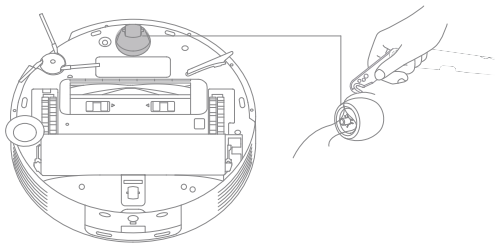
Side Brush

Unscrew the side brush with a screwdriver, clean the hair from the brush, and then screw it back on.



Omnidirectional Wheel

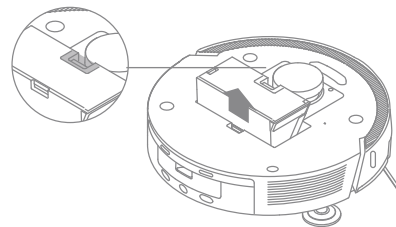
Use a tool such as a small screwdriver to separate the axle and tire of the omnidirectional wheel. Do not use excessive force.



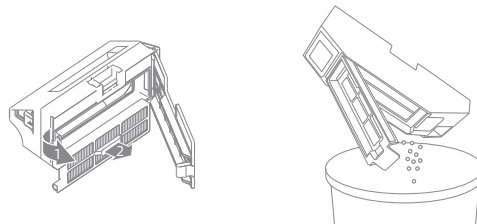
Note: Rinse the omnidirectional wheel under the running water and put it back after drying it completely.

Dust Box

1. Remove the robot cover and press the dust box clip to remove the dust box.



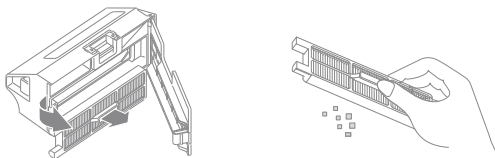
2. Open the dust box cover from the arrow position and pour out the garbage.



Routine Maintenance

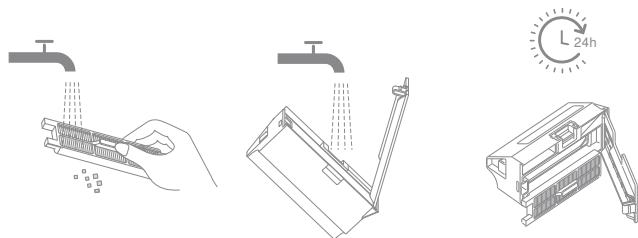
Filter

1. Remove the dust box filter, and then gently tap the basket of the filter to remove the dirt.



Note: Do not attempt to clean the filter with a brush, a finger or sharp objects to prevent damage.

2. Rinse the dust box and filter with water and dry them completely before reinstalling.

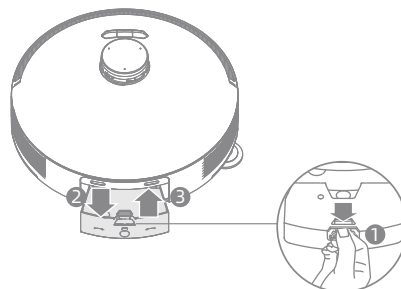


Note:

- Rinse the dust box and filter with clean water only. Do not use any detergent.
- Use the dust box and filter only when they are completely dry.

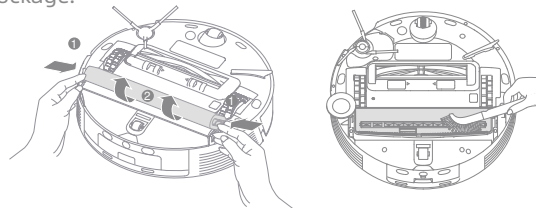
Robot's Used Water Box

Press and hold the release buttons of the used water box to remove it. Pour out the used water. Rinse the used water box with clean water, wipe it dry or dry it, and then reinstall it into the robot.



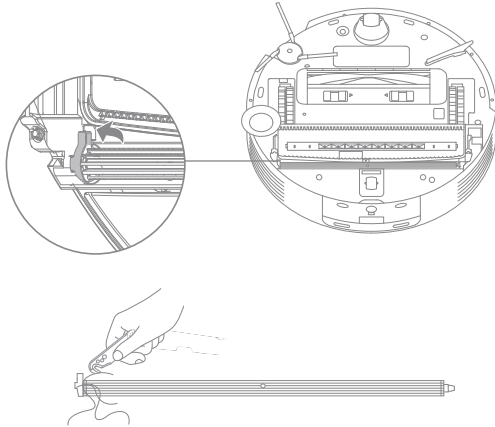
Mop Assembly's Slot and Fluffing Roller

1. Remove the mop assembly from the bottom of the robot. Clean the mop assembly's slot and filter vent to prevent blockage.



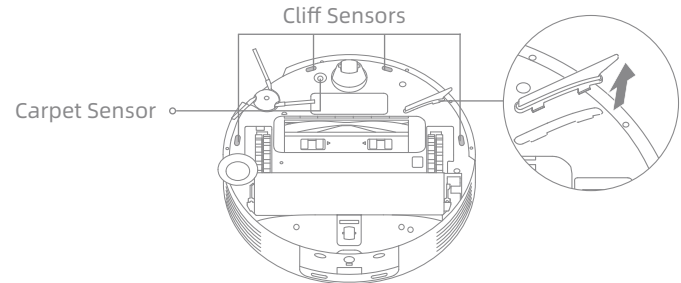
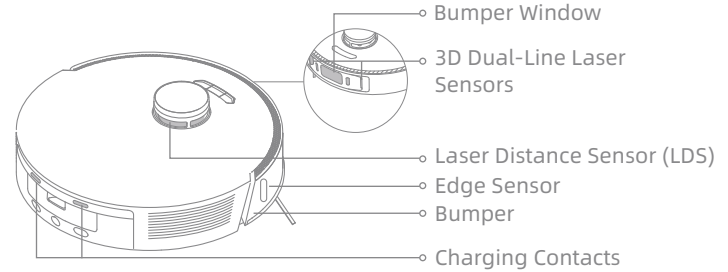
Routine Maintenance

2. Pull out the release handle gently to remove the fluffing roller as shown in the below. Clean the fluffing roller and reinstall it into the robot.

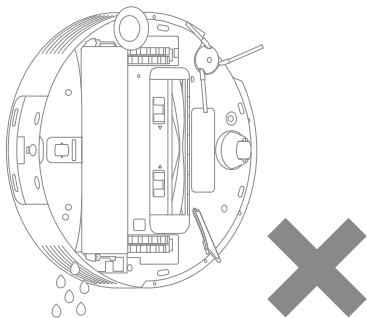


Robot Sensors and Charging Contacts

Wipe the robot sensors and charging contacts by using a soft and dry cloth, as shown in the below figure:



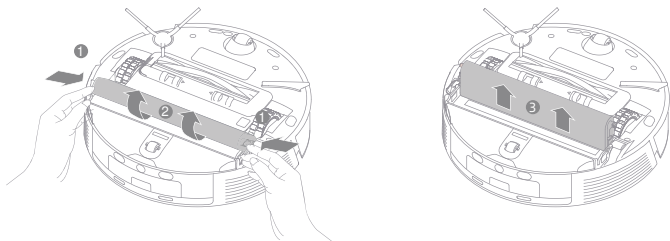
Routine Maintenance



Note: A wet cloth can damage sensitive elements within the robot and the base station. Please use a dry cloth for cleaning.

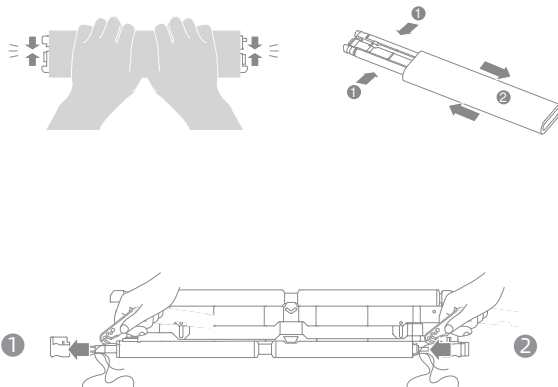
Remove the Mop Assembly

1. Press the release buttons on both ends of the mop assembly.
2. Lift the side of the mop close to the rear of the robot with both hands, and then remove the mop assembly from the robot.



Replace the Mop

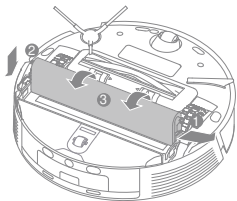
1. Grasp the mop with both hands to press the mop bracket firmly and retract the bracket.
2. When disassembling the mop, hold the mop and the bracket tightly and separate them slowly.
3. Install a new mop on the bracket, press the release buttons on both ends of the bracket to extend the bracket, and ensure that the mop is installed properly.



Routine Maintenance

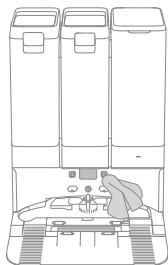
Install the Mop Assembly

1. Place the mop assembly vertically and align the ends of the mop assembly to the slots of the robot.
2. Press down the mop assembly until both sides are clicked into place.



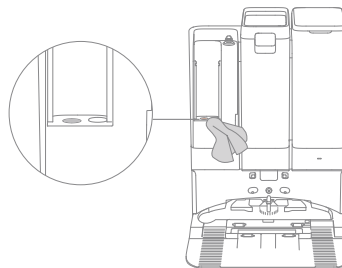
Charging Contacts

Clean the charging contacts, the signaling area and the auto-empty vents of the robot with a soft and dry cloth.



Cleaning Solution Refilling Port

If there is dirt around the cleaning solution filling port, please wipe it with a soft dry cloth.



Battery

The robot contains a high-performance lithium-ion battery pack. Make sure that the battery remains well-charged for daily use to maintain optimal battery performance. If the robot is not used for an extended period of time, turn it off and put it away. To prevent damage from over-discharging, charge the robot at least once every three months.

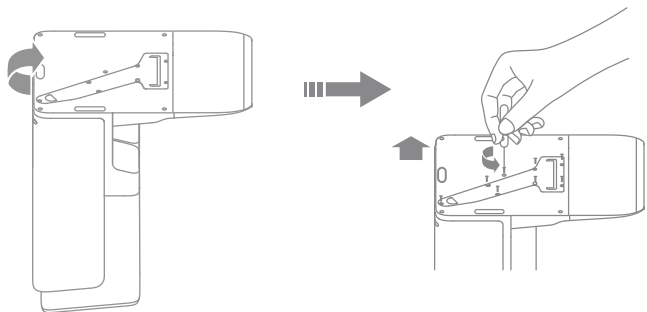
Routine Maintenance

Clean the Air Duct

If the air duct is blocked, follow the steps below to clean it.

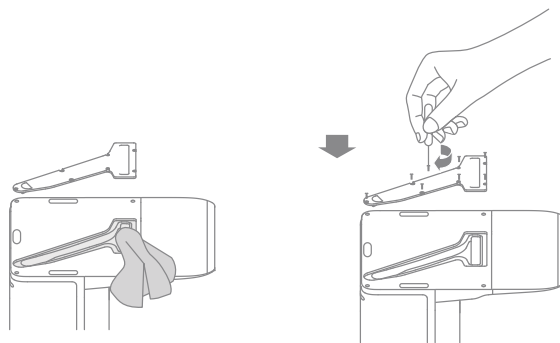
1. Turn over the base station carefully and unscrew the screws with a suitable tool to remove the air duct cover.

Note: Before maintenance, remove the water tank and wipe the water from the washboard base and water outlet to avoid water leakage.



2. Check whether the air duct is blocked by foreign objects and clean it.



3. Reinstall the air duct cover as shown in the figure.




Troubleshooting

Problem	Solution
The robot will not turn on.	<ul style="list-style-type: none"> ·The battery is low. Recharge the robot on the base and try again. ·The temperature of the battery is too low or too high. It is recommended to operate the appliance at a temperature between 32 °F (0°C) and 104 °F (40°C).
The robot will not charge.	<ul style="list-style-type: none"> ·The base station is not connected to power, please make sure both ends of its power cord are correctly plugged in. ·The contact between the charging contacts on the base station and the robot is poor, please clean the charging contacts. ·Check whether there is any foreign object at the connectors of the robot and remove the foreign object if any.
The robot fails to connect to Wi-Fi.	<ul style="list-style-type: none"> ·The Wi-Fi network password is incorrect. Make sure the password used to connect to your Wi-Fi network is correct. ·The robot does not support a 5 GHz Wi-Fi connection. Make sure the robot is connected to a 2.4 GHz Wi-Fi connection. ·The Wi-Fi signal is weak. Make sure the robot is in an area with good Wi-Fi coverage. ·The robot may not be ready to be configured. Please exit and re-enter the app, and then try again as instructed.
The robot cannot find and return to the base station.	<ul style="list-style-type: none"> ·The base station is disconnected from power or moved when the robot is not on it. Please connect the base station to the power supply or place the robot onto the base station to charge. ·There are too many obstructions around the base station. Place the base station in a more open area. ·Moving the robot may cause it to re-position itself, and it will recreate a map if re-positioning fails. If the robot is too far from the base station, it might not be able to automatically return on its own, in which case you will need to manually place the robot onto the base station. ·Wipe the signaling area on the base station to remove dust or debris.
The robot gets stuck in front of the base station and cannot return to it.	<ul style="list-style-type: none"> ·Check whether there is enough space on both sides or in front of the base station to prevent the robot from being blocked. ·The route for returning to charge is blocked, e.g. the door is closed. ·The robot may slip if the floor in front of the base station is overly wet. If so, clean the excess water before trying again. ·It is recommended to move the base station to a different place and try again. ·Make sure the ramp extension plate is installed properly.

Troubleshooting

Problem	Solution
The robot will not turn off.	<ul style="list-style-type: none"> · The robot cannot be turned off when it is charging. It is recommended to move the robot from the base station, and then press and hold the button  for 3 seconds to turn it off. · If the robot cannot be turned off by performing step 1, press and hold the button  for 10 seconds to forcibly turn off the robot. If the problem persists, please contact after-sales service.
The mop assembly is raised abnormally.	<ul style="list-style-type: none"> · Please remove the mop assembly to check if there is any foreign object stuck in it, and try to restart the robot. If the problem persists, please contact the after-sales service team.
There is water under the clean water tank or around the seal.	<ul style="list-style-type: none"> · When taking out the clean water tank, some water in the pipe may be left under the tank or around the seal. This is normal. Please wipe with a dry cloth.
The charging speed is slow.	<ul style="list-style-type: none"> · It takes about 4.5 hours to fully charge the robot when its battery is low. · If you operate the robot at temperatures outside of the specified range, the charging speed will automatically slow down to extend the battery life. · The charging contacts on both the robot and the base station may be dirty, please wipe them with a dry cloth.
The noise increases while the robot is operating.	<ul style="list-style-type: none"> · Check whether the dust box filter is clogged. If so, clean it or replace it. · A hard object may be caught in the main brushes or the dust box. Check and remove any hard object. · The main brushes or the side brush may become tangled. Check and remove any foreign objects. · Switch the suction mode to Standard or Quiet.
The robot moves without following the set route.	<ul style="list-style-type: none"> · Objects such as power cords and slippers should be organized before using the robot. · Working on wet slippery surfaces causes the main wheel to slip. It is recommended to dry the wet places before using the robot. · Wipe the bumper window and 3D dual-line laser sensors on the robot with a clean, soft cloth to keep them clean and unobstructed.

Troubleshooting

Problem	Solution
The robot misses the rooms to be cleaned.	<ul style="list-style-type: none"> ·Make sure that the doors of the rooms to be cleaned are open. ·Check whether there is a threshold higher than about 2 cm at the door of the room. The robot cannot climb over high thresholds or steps. ·The place in front of the room to be cleaned may be wet and slippery, causing the robot to slip and work abnormally. Please try drying the floor before using the robot.
The robot will not resume cleaning after charging.	<ul style="list-style-type: none"> ·Make sure that the robot is not set to the Do Not Disturb (DND) mode, which will prevent it from resuming cleaning. ·The robot will not resume cleaning after you manually place the robot on the base station or send the robot to charge via the app or the button .
The station cannot automatically empty the dust box.	<ul style="list-style-type: none"> ·Check whether the dust bag in the dust tank is full. ·If the dust bag is not full, check whether there is any obstruction at the auto-empty vents of the robot, the base station, or the dust box. If any, clean the blocked part in time.
The water level in the washboard base is abnormal.	<ul style="list-style-type: none"> ·Check whether the sewage drain outlet is blocked and clean it. ·Gently press down on the used water tank to make sure it is installed correctly. ·Check whether the seal on the used water tank is loose or not correctly installed, and manually reset it if so. If the problem persists, please contact the after-sales service team. ·Check the cleaning solution. Do not add any liquid other than the officially-approved cleaning solution.

For more support, contact us via <https://www.mova.tech>

Specifications

Robot

Model	RLZ92CE
Charging Time	Approx. 4.5 hours
Rated Voltage	14.4 V $\overline{=}$
Rated Power	75 W
Operation Frequency	2400-2483.5 MHz
Maximum Output Power	< 20 dBm

Base Station/Charging Dock

Power consumption in off mode: ≤ 0.3 W

Power consumption in standby mode: ≤ 0.5 W (within 15 minutes after the robot leaves the base station/charging dock)

Robot&Base Station/Charging Dock

The equipment does not have a standby mode or other equivalent states in terms of standby requirements, power management function, or the ability to deactivate wireless network connections due to battery maintenance needs. The power consumption of the equipment is likely to be higher than other equipment models meeting these functional requirements.

Base Station

Model	RCZE0301
Rated Input	220-240 V \sim 50-60 Hz
Rated Output	19.4 V $\overline{=}$ 3 A
Rated Power (during dust emptying)	700 W
Rated Power (during hot water cleaning)	1160 W
Rated Power (during charging and drying)	95 W

Under normal use of condition, this equipment should be kept a separation distance of at least 20 cm between the antenna and the body of the user.

Note:

- Rated Power (during hot water cleaning) is determined by the power value during the representative period (water temperature 25°C).
- Rated Power (during charging and drying) is determined by the power value during full load period.

Battery Disposal and Removal

The built-in lithium-ion battery contains substances that are hazardous to the environment. Before disposing of the battery, make sure the battery is removed by qualified technicians and discarded at an appropriate recycling facility.

- the battery must be removed from the appliance before it is scrapped;
- the appliance must be disconnected from the supply mains when removing the battery;
- the battery is to be disposed of safely.

CAUTION:

Before removing the battery, disconnect the power and run out the battery as much as possible.

Unneeded batteries should be discarded at an appropriate recycling facility.

Do not expose to high temperature environment to avoid risks of explosion.

Under abusive conditions, liquid may be ejected from the battery. If contact occurs, flush with water and seek medical help.

Removal Guide:

1. Turn over the robot, use a proper tool to remove the screws on the back of the robot, and then remove the cover.
2. Unplug the terminals between the battery and PCB board to remove the battery.

WEEE Information



All products bearing this symbol are waste electrical and electronic equipment (WEEE as in directive 2012/19/EU) which should not be mixed with unsorted household waste. Instead, you should protect human health and the environment by handing over your waste equipment to a designated collection point for the recycling of waste electrical and electronic equipment, appointed by the government or local authorities. Correct disposal and recycling will help prevent potential negative consequences to the environment and human health. Please contact the installer or local authorities for more information about the location as well as terms and conditions of such collection points.

Sicherheitshinweise

Lesen Sie die Bedienungsanleitung vor der Verwendung des Geräts sorgfältig durch und bewahren Sie sie zum späteren Nachschlagen auf, um Stromschläge, Brände oder Verletzungen durch unsachgemäßen Gebrauch des Geräts zu vermeiden.

Nutzungsbeschränkungen

- Um einen sicherer Betrieb dieses Produkts zu gewährleisten und um jegliche Risiken zu vermeiden, darf es nicht von Kindern unter 8 Jahren oder von Personen mit körperlichen, sensorischen oder intellektuellen Defiziten bzw. eingeschränkter Erfahrung oder Kenntnissen ohne die Aufsicht der Eltern oder eines Erziehungsberechtigten benutzt werden. Kinder dürfen die Reinigung und Wartung nicht ohne Aufsicht durchführen.
- Das Gerät darf nur mit dem mitgelieferten Netzteil verwendet werden.
- Dieses Gerät enthält Akkus, die nur von Fachpersonal ausgetauscht werden können.
- Räumen Sie den zu reinigenden Bereich ab. Kinder dürfen nicht mit dem Gerät spielen. Achten Sie auf einen sicheren Abstand zwischen Kindern und Haustieren und dem Roboter, während dieser in Betrieb ist.
- Das Gerät darf nicht in Badezimmern oder in der Nähe von Schwimmbecken installiert, aufgeladen oder verwendet werden.
- Dieses Produkt ist nur für die Bodenreinigung in Wohnräumen geeignet. Verwenden Sie es nicht im Freien, auf anderen Oberflächen als Bodenbeläge oder in einer gewerblichen oder industriellen Umgebung.
- Stellen Sie sicher, dass das Gerät in einer geeigneten Umgebung ordnungsgemäß funktioniert. Andernfalls dürfen Sie das Gerät nicht verwenden.
- Bei Beschädigung des Netzkabels muss es durch ein spezielles Kabel oder eine spezielle Einheit ersetzt werden, die Sie beim Hersteller oder seinem Kundendienst erhalten können.

Sicherheitshinweise

Nutzungsbeschränkungen

- Benutzen Sie den Roboter nicht in einem Bereich, der über dem Boden freisteht, ohne dass eine Schutzbarriere vorhanden ist.
- Stellen Sie den Roboter nicht auf den Kopf. Nutzen Sie die LDS-Abdeckung, die Roboterabdeckung oder den Stoßfänger nicht als Griff für den Roboter.
- Verwenden Sie den Roboter in Räumen mit einer Umgebungstemperatur von über 0 °C und unter 40 °C. Stellen Sie sicher, dass sich keine Flüssigkeiten oder klebrigen Substanzen auf dem Boden befinden.
- Entfernen Sie vor dem Betrieb des Geräts alle freistehenden Gegenstände vom Boden, sowie alle auf dem Reinigungspfad herumliegenden Kabel oder Netzkabel, um Schäden bzw. Verletzungen durch Nachziehen zu vermeiden.
- Entfernen Sie zerbrechliche oder kleine Gegenstände vom Boden, um eine Kollision des Roboters mit diesen Gegenständen und deren Beschädigung zu vermeiden.
- Halten Sie Haare, Finger und andere Körperteile von der Saugöffnung des Roboters fern.
- Bewahren Sie das Reinigungswerkzeug außerhalb der Reichweite von Kindern auf.
- Betreiben Sie das Gerät nicht in einem Zimmer mit schlafenden Säuglingen oder Kindern.
- Verhindern Sie, dass sich Kinder, Haustiere oder andere Gegenstände auf den Roboter befinden, unabhängig davon, ob er steht oder sich bewegt.
- In den Frischwasserbehälter darf nur sauberes Wasser und die offiziell zugelassene Reinigungsflüssigkeit eingefüllt werden. Fügen Sie keine anderen Flüssigkeiten wie z. B. Alkohol oder Desinfektionsmittel hinzu. Das richtige Mischungsverhältnis von Reinigungsflüssigkeit und sauberem Wasser steht auf der Flasche mit der Reinigungsflüssigkeit. Bewahren Sie die

Sicherheitshinweise

Nutzungsbeschränkungen

- Reinigungsflüssigkeit außerhalb der Reichweite von Kindern auf.
- Verwenden Sie den Roboter nicht zum Reinigen im Falle von brennenden Gegenständen. Verwenden Sie den Roboter nicht, um entflammbare oder brennbare Flüssigkeiten, ätzende Gase oder unverdünnte Säuren oder Lösungsmittel aufzusaugen.
- Keine harten oder scharfen Gegenstände aufsaugen. Verwenden Sie das Gerät nicht zum Aufsaugen von Gegenständen wie Steinen, großen Papierstücken oder anderen Gegenständen, die zur Verstopfung des Geräts führen können.
- Vor der Reinigung oder Wartung des Geräts muss der Stecker aus der Steckdose gezogen werden.
- Wischen Sie den Roboter oder die Basisstation nicht mit einem feuchten Tuch ab und spülen Sie diese nicht mit Flüssigkeiten aus. Lassen Sie die abwaschbaren Teile nach der Reinigung vollständig trocknen, bevor Sie sie wieder einbauen und benutzen.
- Verwenden Sie dieses Gerät gemäß den Anweisungen im Benutzerhandbuch. Der Benutzer ist für alle auf Grund einer unsachgemäßen Verwendung dieses Produkts entstandenen Verluste oder Schäden verantwortlich.

Akkus und Aufladen

- Verwenden Sie keine Akkus oder eine Basisstation von externen Anbietern. Der Roboter kann nur mit der Basisstation Modell RCZE0301 verwendet werden.
- Versuchen Sie nicht, den Akku oder die Basisstation selbst zu zerlegen, zu reparieren oder zu verändern.
- Stellen Sie die Basisstation nicht in der Nähe einer Wärmequelle auf.

Sicherheitshinweise

Akkus und Aufladen

- Reinigen Sie die Ladkontakte der Basisstation niemals mit einem feuchten Tuch oder nassen Händen.
- Entsorgen Sie alte Akkus nicht unsachgemäß. Nicht benötigte Batterien sollten in einer geeigneten Recyclinganlage entsorgt werden.
- Im Falle einer Beschädigung oder eines Defekts des Netzkabels stellen Sie die Verwendung sofort ein und wenden Sie sich an den Kundendienst.
- Achten Sie darauf, dass der Roboter beim Transport ausgeschaltet ist und möglichst in seiner Originalverpackung aufbewahrt wird.
- Bei längerer Nichtbenutzung des Roboters sollte er vollständig aufgeladen, danach ausgeschaltet und an einem kühlen, trockenen Ort aufbewahrt werden. Laden Sie den Roboter mindestens einmal alle 3 Monate auf, um eine Tiefentladung des Akkus zu vermeiden.

Informationen zur Lasersicherheit

- Der Lasersensor in diesem Produkt entspricht der Norm IEC 60825-1:2014/EN 60825-1:2014/A11:2021 für Laserprodukte der Klasse 1. Bei der Verwendung ist direkter Augenkontakt zu vermeiden.

LASERPRODUKT DER KLASSE 1
 LASERPRODUKT FÜR VERBRAUCHER
 EN 50689:2021



Nur für den Innenbereich geeignet



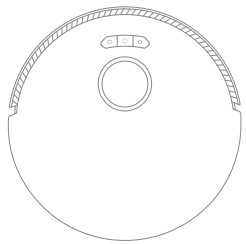
Bedienungsanleitung lesen

Hiermit erklärt XingKuang Innovation Technology (Suzhou) Co., Ltd. dass das Funkgerät des Typs RLZ92CE den Anforderungen der Richtlinie 2014/53/EU entspricht.

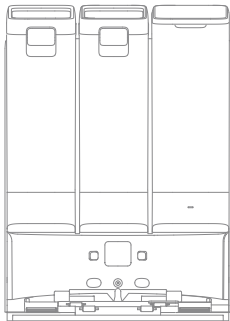
Der vollständige Wortlaut der EU-Konformitätserklärung ist unter der folgenden Internetadresse abrufbar: <https://www.mova.tech>
 Ein ausführliches elektronisches Handbuch finden Sie unter <https://www.mova.tech/pages/user-manuals-and-faqs>.

Produktübersicht

Packungsinhalt



Roboter

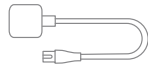


Basisstation

Sonstiges Zubehör



Seitenbürste
(vorinstalliert)



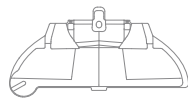
Netzkabel



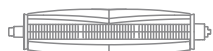
Wischmopp-Baugruppe
(vorinstalliert)



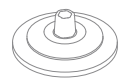
Rampenverlängerungs-
platte der Basisstation
(vor Gebrauch installieren)



Waschplatte
(vorinstalliert)



Hauptbürste
(vorinstalliert)



Kantenwischmopp



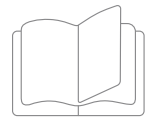
Staubbeutel
(vorinstalliert)



Reinigungsflüssigkeit



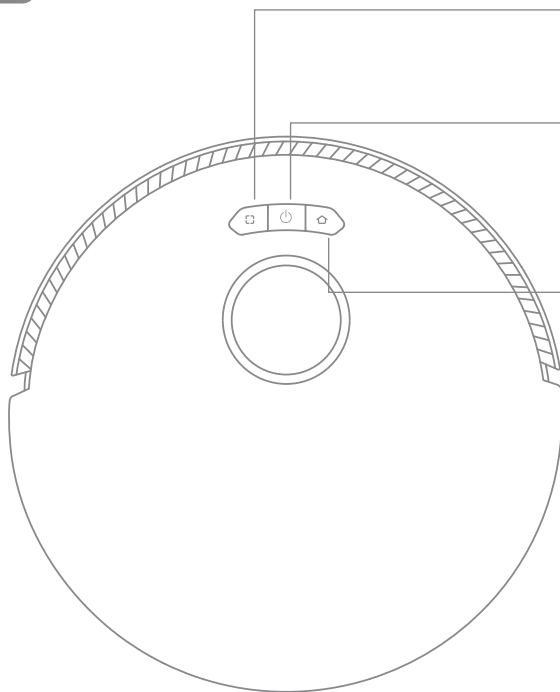
Reinigungswerkzeug
(in der Basisstation
aufbewahren)



Benutzerhandbuch

Produktübersicht

Roboter



☐ Taste für die Punktreinigung

- Drücken Sie diese Taste, um die Punktreinigung zu starten

⏻ Einschalt-/Reinigungstaste

- Halten Sie die Taste 3 Sekunden lang gedrückt, um das Gerät ein- oder auszuschalten
- Drücken Sie diese Taste, um die Reinigung nach dem Einschalten des Roboters zu starten

🏠 Dockingtaste

- Drücken Sie diese Taste für die Rückkehr des Roboters zur Basisstation
- Halten Sie die Taste 3 Sekunden lang gedrückt, um die Kindersicherung zu deaktivieren

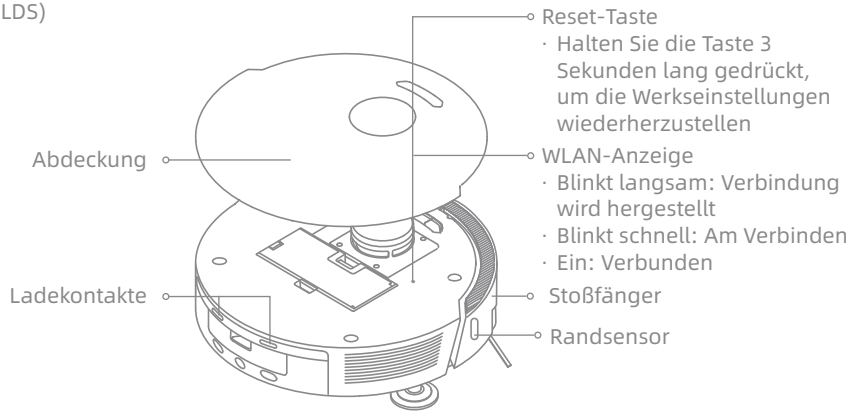
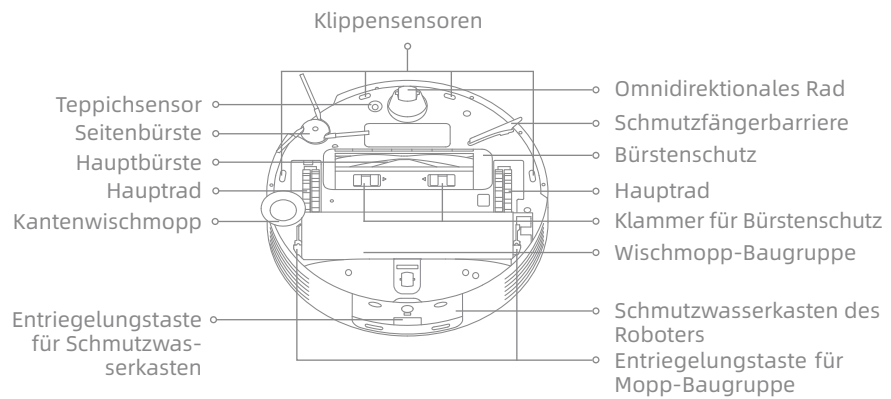
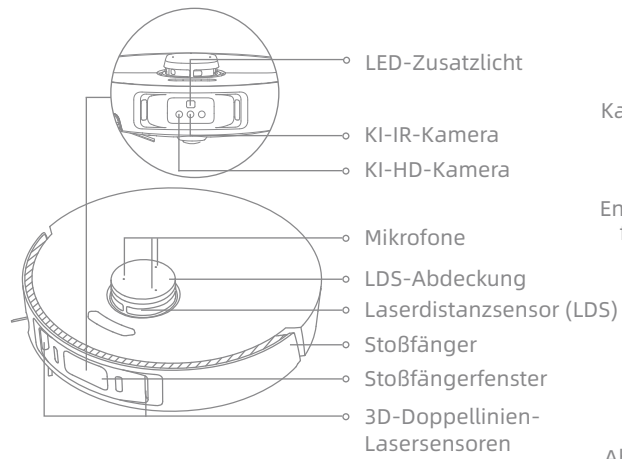
Status-Anzeige

- Leuchtet weiß: Reinigung oder Säuberung abgeschlossen
- Blinkt orange: Fehler
- Leuchtet orange: Stand-by bei niedrigem Akkustand oder angehalten bei niedrigem Akkustand

- **Hinweis:** Durch Drücken einer beliebigen Taste am Roboter können Sie den Betrieb pausieren während der Roboter reinigt oder zur Ladestation zurückkehrt.
- Die Kindersicherung kann über die MOVAhome App aktiviert/deaktiviert werden.

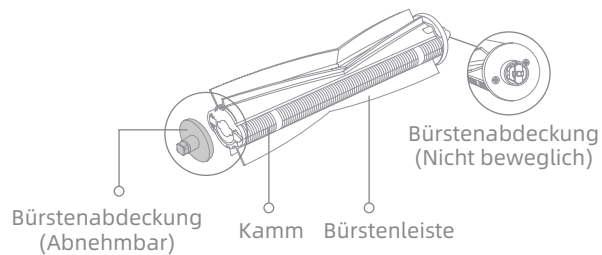
Produktübersicht

Roboter und Sensoren

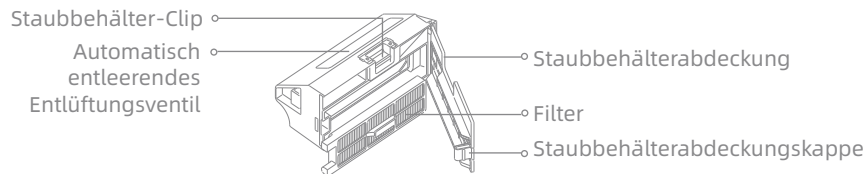


Produktübersicht

Hauptbürste



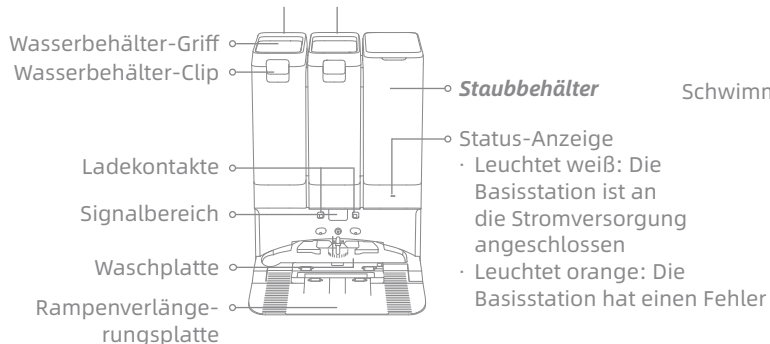
Staubbehälter



Produktübersicht

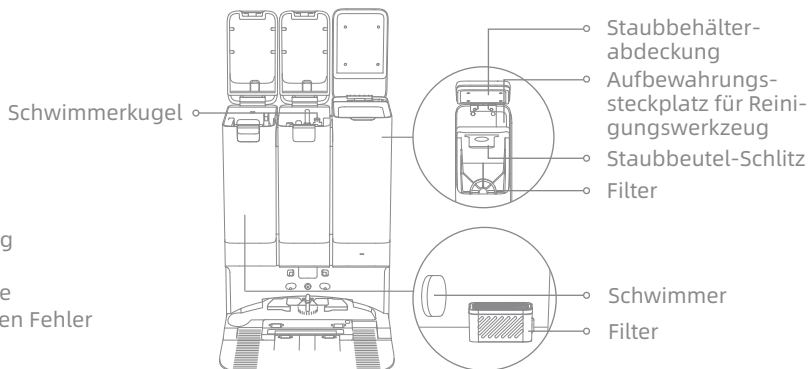
Basisstation (extern)

Frischwasserebehälter **Schmutzwasserebehälter**

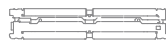


Hinweis: Das Wasseranschlusset für das automatische Nachfüllen und Entleeren muss separat erworben werden. (Nur in bestimmten Regionen verfügbar)

Basisstation (intern)



Wischmopp-Baugruppe

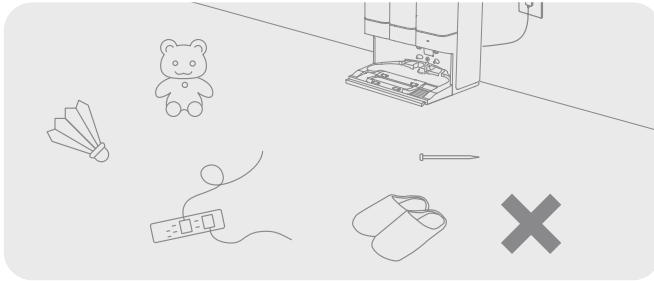


Wischpadhalter

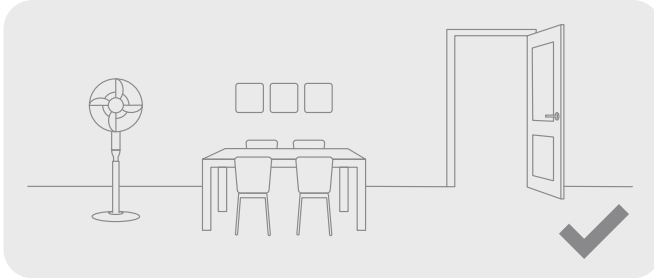


Wischpad

Vorbereitung des Zuhauses



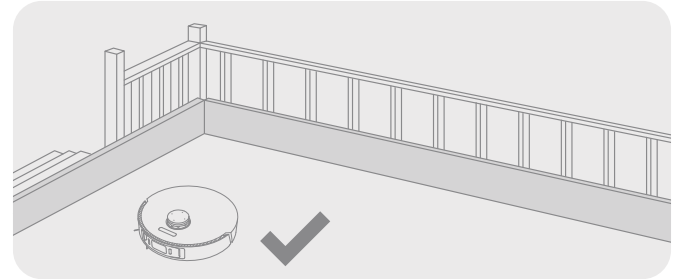
Entfernen Sie vor der Reinigung instabile, zerbrechliche, wertvolle oder gefährliche Gegenstände und räumen Sie Kabel, Tücher, Spielzeug, harte und scharfe Gegenstände vom Fußboden auf, um ein Verfangen, Zerkratzen oder Umfallen des Roboters und damit verbundene Verluste zu vermeiden.



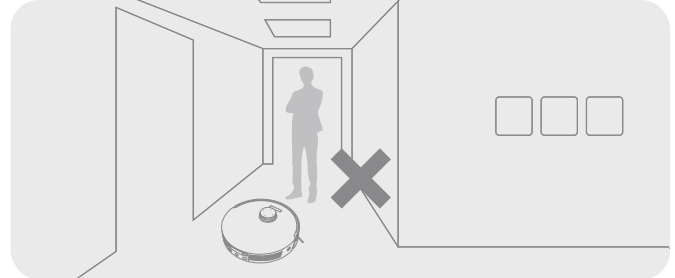
Öffnen Sie die Tür des zu reinigenden Raumes und stellen Sie die Möbel in die geeignete Position, um mehr Platz zu schaffen.

Hinweis:

- Folgen Sie dem Roboter bei der ersten Inbetriebnahme während des Reinigungsvorgangs, um mögliche Hindernisse rechtzeitig zu entfernen.
- LED-Zusatzlicht sorgt für zusätzliche Beleuchtung in schwach beleuchteten Umgebungen.
- Saugen Sie keine harten Gegenstände wie Steine, Stahlkugeln und Spielzeugteile oder scharfe Gegenstände wie Bauschutt, Glasscherben und Nägel auf, da dadurch der Boden verkratzt werden kann.



Montieren Sie vor der Reinigung die physische Barriere an den Kanten von Treppen, um dem Roboter ein reibungsloses Arbeiten zu ermöglichen.



Um zu verhindern, dass der Roboter die zu reinigenden Bereiche nicht erkennt, sollten Sie sich nicht vor dem Roboter, vor Schwellen, Fluren oder engen Stellen aufhalten.

Vor der Verwendung

1. Stellen Sie die Basisstation auf und stecken Sie den Stecker in die Steckdose

- ① Entfernen Sie die Schutzvorrichtungen an der Basisstation.
- ② Stellen Sie die Basisstation an einem möglichst freistehenden Ort mit gutem WLAN-Signal auf. Lassen Sie genügend Platz, wie in der Abbildung gezeigt, und entfernen Sie alle Objekte im schattierten Bereich. Schließen Sie das Netzkabel an die Basisstation und stecken Sie es in die Steckdose.

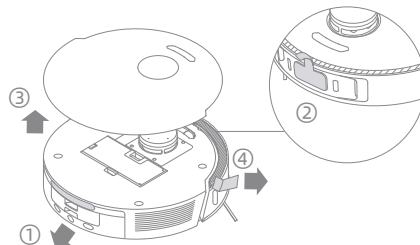


Hinweis:

- Achten Sie darauf, dass keine Gegenstände den Signalisierungsbereich blockieren.
- Um zu verhindern, dass Wasserflecken Holzböden oder Teppiche nässen, empfiehlt es sich, die Basisstation auf Fliesen- oder Marmorfußböden zu stellen.

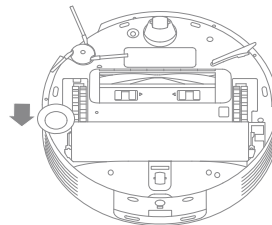
2. Schutzvorrichtungen des Roboters entfernen

Entfernen Sie die Schutzvorrichtungen des Roboters wie unten gezeigt.



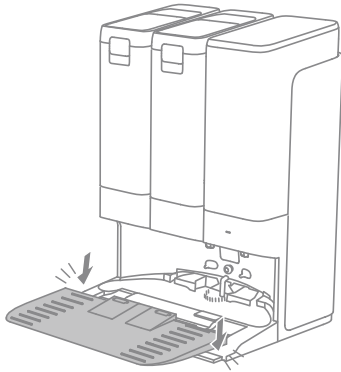
3. Installieren Sie den Kantenwischmopp

Bringen Sie den Kantenwischmopp auf der Rückseite des Roboters an.




Vor der Verwendung

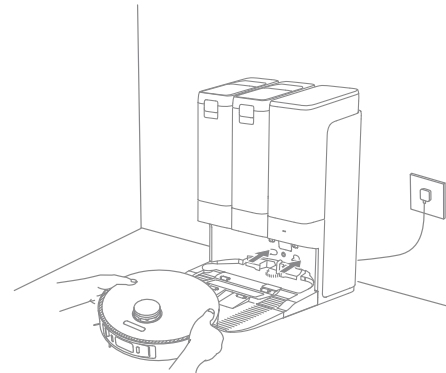
4. Installation der Rampenverlängerungsplatte



Hinweis: Bringen Sie die Rampenverlängerungsplatte an, bis sie einrastet.

5. Den Roboter mit der Ladestation verbinden

Zum Einschalten des Roboters die Taste  am Roboter drücken und 3 Sekunden lang gedrückt halten. Setzen Sie den Roboter so auf die Basisstation, dass die Mopp-Baugruppe zur Waschplatte zeigt. Anschließend hören Sie eine Sprachmeldung, wenn sich der Roboter erfolgreich mit der Basisstation verbunden hat.

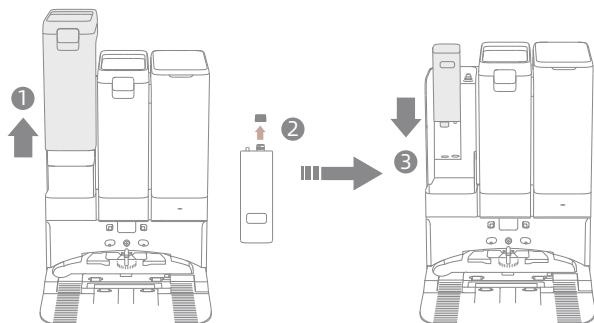


Hinweis: Es wird empfohlen, den Roboter vor der ersten Inbetriebnahme vollständig aufzuladen. Wenn sich der Roboter aufgrund eines leeren Akkus nicht einschalten lässt, verbinden Sie ihn zum Aufladen manuell mit der Basisstation.

Vor der Verwendung

6. Installieren der Reinigungsflüssigkeit

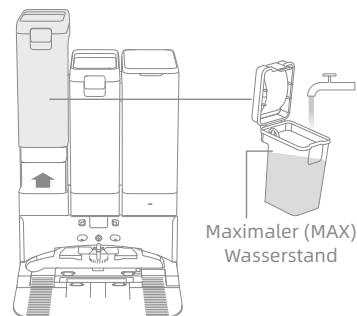
Nehmen Sie den Frischwasserbehälter aus der Basisstation, schrauben Sie den Deckel der Reinigungsflüssigkeit ab, und setzen Sie die Reinigungsflüssigkeit in die Öffnung in der Basisstation ein. Die Reinigungsflüssigkeit wird während des Betriebs automatisch zugeführt.



Hinweis: Fügen Sie keine andere Flüssigkeit als die offiziell zugelassene Reinigungslösung hinzu, um Fehlfunktionen zu vermeiden.

7. Wasser in den Frischwasserbehälter einfüllen

Nehmen Sie den Frischwasserbehälter aus der Basisstation heraus und füllen Sie den Behälter mit Frischwasser bis zur Obergrenze (MAX). Danach setzen Sie ihn wieder in die Basisstation ein.



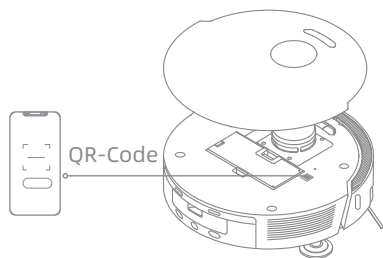
Hinweis:

- Füllen Sie kein heißes Wasser ein, da sonst der Frischwasserbehälter verformt werden kann.
- Achten Sie darauf, dass Personen und Haustiere das Wasser im Wasserbehälter und in der Waschplattenbasis nicht trinken.

Verbinden mit der MOVHome App

1. Laden Sie die MOVHome App herunter

Entfernen Sie die Abdeckung des Roboters und scannen Sie den QR-Code auf dem Roboter, oder suchen Sie im App-Store nach „MOVHome“, um die App herunterzuladen und zu installieren.



Hinweis:

- Es wird nur 2,4-GHz-WLAN unterstützt.
- Aufgrund von Aktualisierungen der App-Software kann der tatsächliche Betrieb von den Anweisungen in dieser Anleitung abweichen. Bitte folgen Sie den auf der aktuellen App-Version basierenden Anweisungen.

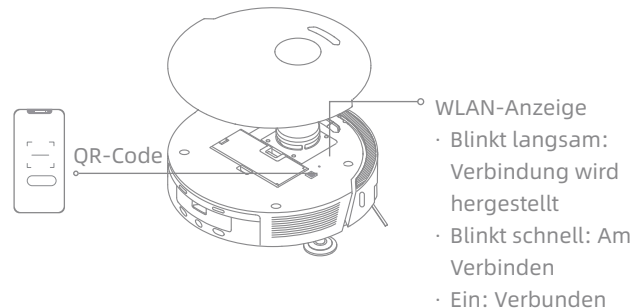
2. Gerät hinzufügen

Öffnen Sie die MOVHome App, tippen Sie auf „Scannen Sie den QR-Code zum verbinden“, und scannen Sie denselben QR-Code auf dem Roboter erneut, um das Gerät hinzuzufügen. Bitte folgen Sie den Anweisungen, um die WLAN-Verbindung herzustellen.

* Die WLAN-Anzeige beginnt langsam zu blinken und zeigt an, dass der Roboter die Netzwerkkonfiguration aktiviert hat.



Hinweis: Zum Zurücksetzen der WLAN-Verbindung wiederholen Sie Schritt 2 und folgen Sie den Anweisungen, um die WLAN-Verbindung zu erstellen.

Halten Sie die Reset-Taste am Roboter 3 Sekunden lang gedrückt, um das Gerät vom WLAN-Netzwerk zu trennen.



Benutzung

Einschalten/Ausschalten

Zum Einschalten des Roboters halten Sie die Taste  3 Sekunden lang gedrückt. Die Betriebsanzeige leuchtet weiter. Um den Roboter auszuschalten, entfernen Sie den Roboter von der Basisstation und halten Sie die Taste  3 Sekunden lang gedrückt.

Schnelle Kartenerstellung

Nach der erstmaligen Konfiguration des Netzwerks folgen Sie zur schnellen Kartenerstellung den Anweisungen in der App. Der Roboter beginnt mit der Kartenerstellung ohne Reinigung. Wenn der Roboter zur Basisstation zurückkehrt, ist die Kartenerstellung abgeschlossen und die Karte wird automatisch gespeichert.

Pause/Ruhemodus

Wenn der Roboter läuft, drücken Sie eine beliebige Taste, um ihn anzuhalten.

Wird der Roboter länger als 10 Minuten angehalten, geht er automatisch in den Ruhemodus über. Alle Anzeigen am Roboter schalten sich aus. Drücken Sie eine beliebige Taste auf dem Roboter, oder nutzen Sie die App, um den Roboter wieder in Betrieb zu nehmen.

Hinweis: Wird der Roboter ausgeschaltet und auf die Basisstation gestellt, endet die aktuelle Reinigungsaufgabe.

Reinigung automatisch fortsetzen

Wenn der Akku zu schwach ist, kehrt der Roboter automatisch zur Basisstation zum Aufladen zurück. Wenn der Akku ausreichend aufgeladen ist, setzt er die noch nicht abgeschlossenen Reinigungsaufgaben fort.

Hinweis: Zur Nutzung dieser Funktion müssen Sie diese in der App aktivieren.


Nicht-Stören-Modus (DND)

Ist der Roboter auf den Nicht-Stören-Modus (DND) eingestellt, kann er die Reinigung nicht fortsetzen. Der Nicht-Stören-Modus (DND) ist ab Werk standardmäßig deaktiviert. Sie können den Nicht-Stören-Modus (DND) über die App aktivieren oder den DND-Zeitraum ändern. Der Nicht-Stören-Zeitraum (DND) ist standardmäßig auf 22:00-8:00 Uhr eingestellt.


Hinweis:

- Die geplanten Reinigungsaufgaben werden während des Nicht-Stören-Zeitraums (DND) wie gewohnt ausgeführt.
- Der Roboter wird die Reinigung fortsetzen, wo er nach Ablauf des DND-Zeitraums aufgehört hat.

Punktreinigung

Drücken Sie im Standby-Modus des Roboters kurz die Taste  um den Punktreinigungsmodus zu aktivieren. In diesem Modus reinigt der Roboter einen quadratischen Bereich von 1,5 × 1,5 Meter um ihn herum und kehrt zu seinem Ausgangspunkt zurück, sobald die Reinigung bestimmter Bereiche abgeschlossen ist.

Roboter neu starten


Wenn der Roboter nicht mehr reagiert oder sich nicht ausschalten lässt, halten Sie die Taste  10 Sekunden lang gedrückt, um ihn zwangsweise auszuschalten. Halten Sie dann die Taste  3 Sekunden lang gedrückt, um den Roboter einzuschalten.

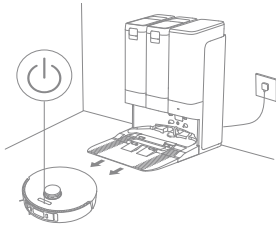
Benutzung

Staubsaugen und Wischen

Hinweis: Nach der Installation der Wischmopp-Baugruppe arbeitet der Roboter bei der ersten Verwendung standardmäßig im Modus „Staubsaugen und Wischen“.

1. Beginne mit der Reinigung

Drücken Sie die Taste  am Roboter oder nutzen Sie die App, um den Roboter von der Basisstation aus starten zu lassen. Dann plant der Roboter die optimale Reinigungsroute und führt die Reinigungsaufgabe auf der Grundlage der erstellten Karte aus.



Hinweis:

- Um eine problemlose Rückkehr des Roboters zur Basisstation nach der Reinigung zu gewährleisten, empfiehlt es sich, den Roboter von der Basisstation aus starten zu lassen.
- Der Wischmopp wird gereinigt, bevor der Roboter mit dem Wischen beginnt, bitte warten Sie mit Geduld.
- Bewegen Sie die Basisstation, den Frischwasserbehälter oder den Schmutzwasserbehälter während der Reinigung nicht.
- Die Heißwasserreinigung kann in der App für die Reinigung von Wischmopps und der Waschplatten-Basis aktiviert werden, was für alle Modi gilt. Berühren Sie den Waschplatten-Wasserauslass bei aktivierter Funktion nicht, um Verbrühungen zu vermeiden.

2. Automatisches Waschen des Wischmopps

Während der Reinigung kehrt der Roboter automatisch zur Basisstation zurück, um die Wischmopps zu waschen, je nach der in der App festgelegten Häufigkeit der Wischmoppreinigung. Die Basisstation entleert oder füllt automatisch den Wasserbehälter des Roboters auf und der Roboter setzt die Reinigung fort.

3. Automatisches Entleeren des Staubbehälters und Waschen und Trocknen der Wischmopps

Nachdem der Roboter eine Reinigungsaufgabe erledigt hat und zum Aufladen zur Basisstation zurückkehrt, entleert die Basisstation automatisch den Staubbehälter. Anschließend wäscht und trocknet sie die Mopps.

Hinweis:

- Wenn die automatische Entleerungsfunktion in der App ausgeschaltet ist, leert die Basisstation den Staubbehälter nicht automatisch.
- Die Basisstation leert den Staubbehälter gemäß der Einstellung in der App.

4. Reinigen Sie den Schmutzwasserbehälter

Nachdem der Roboter seine Aufgabe erfüllt hat, reinigen Sie bitte den Schmutzwasserbehälter, um Geruchsbildung zu vermeiden.

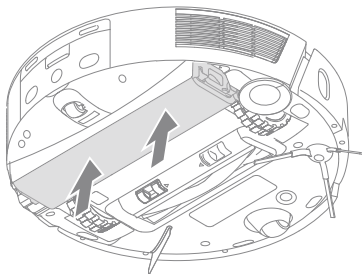
Benutzung

Wischen nach dem Staubsaugen

Aktivieren Sie in der App die Funktion „Wischen nach dem Staubsaugen“. Der Roboter hebt dann automatisch den Wischmopp an der Basisstation an und staubsaugt den Boden. Sobald das Staubsaugen beendet ist, kehrt der Roboter zur Basisstation zurück, wo der Staubbehälter automatisch geleert wird. Dann beginnt der Roboter mit dem Wischen, wobei er den Wischmopp absenkt und die Hauptbürste und die Seitenbürste anhebt.

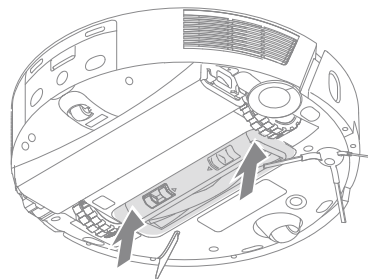
Nur Staubsaugen

Aktivieren Sie in der App die Funktion „Staubsaugen“. Der Roboter hebt dann automatisch die Mopp-Baugruppe an der Basisstation an und beginnt mit dem Staubsaugen.



Nur Wischen

Aktivieren Sie die Wischfunktion in der App, und der Roboter beginnt automatisch mit dem Wischen, während er den Mopp absenkt und die Haupt- und Seitenbürste anhebt.



Regelmäßige Wartung

Teile

Um den Roboter in einem einwandfreien Zustand zu halten, wird empfohlen, in der App oder in der folgenden Tabelle die Hinweise zur regelmäßigen Wartung des Zubehörs zu beachten.

Teil	Wartungsintervall	Häufigkeit des Austausches
Schmutzwasserbehälter	Nach jedem Gebrauch	/
Frischwasserbehälter	Einmal alle 2 Wochen	Alle 6 bis 12 Monate
Hauptbürste		
Staubbehälterfilter		Alle 3 bis 6 Monate
Seitenbürste		
Schmutzfängerbarriere		
Waschplatte	Einmal im Monat	
Signalbereich der Basisstation		
Ladekontakte der Basisstation		
Automatisch entleerendes Entlüftungsventil der Basisstation		
Omnidirektional Rad		
Randsensor		
Laserdistanzsensor (LDS)		
3D-Doppellinien-Lasersensoren		

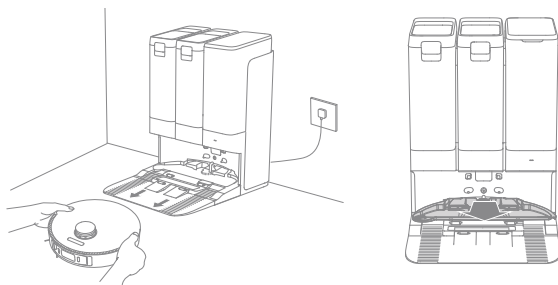
Teil	Wartungsintervall	Häufigkeit des Austausches	
Stoßfängerfenster			
Teppichsensor	Einmal im Monat	/	
Klippensensoren			
LED-Zusatzlicht			
Ladekontakte des Roboters			
Stoßfänger			
Automatisch entleerendes Entlüftungsventil des Roboters			
Öffnung für automatisches Wassernachfüllen des Roboters			
Unterseite des Roboters			
Nachfüllöffnung für die Reinigungsflüssigkeit			Beim Auswechseln der Reinigungsflüssigkeit reinigen
Staubbehälter			Nach Bedarf reinigen
Schmutzwasserkasten des Roboters			
Fusselrolle	/	Alle 2 bis 4 Monate	
Staubbeutel		Alle 1 bis 3 Monate	
Wischpad		Alle 1 bis 3 Monate	
Kantenwischarm		Alle 1 bis 3 Monate	
Kalkschutzmittel		Alle 18 bis 36 Monate	

Hinweis: Die Austauschintervalle hängen von der Nutzung des Roboters ab. Sollte durch besondere Umstände eine Ausnahme auftreten, müssen die Teile ausgetauscht werden.

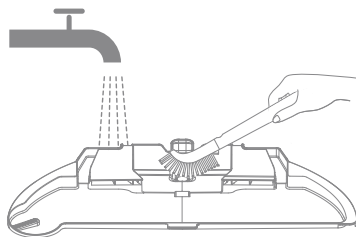
Regelmäßige Wartung

Waschplatte

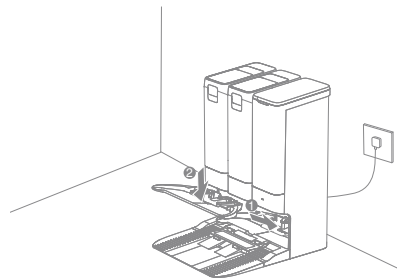
1. Nehmen Sie den Roboter heraus und entfernen Sie die Waschplatte, wenn die Reinigung des Wischpads abgeschlossen ist.




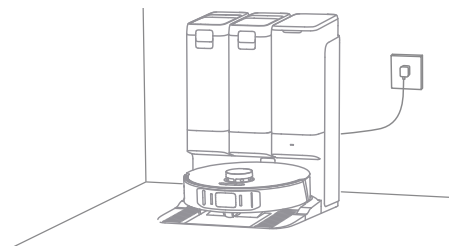
2. Spülen Sie die Waschplatte mit frischem Wasser ab und wischen Sie sie sauber.



3. Neigen Sie die Waschplatte und setzen Sie sie wieder auf die Basisstation.



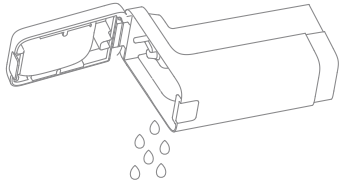
4. Verwenden Sie die App oder drücken Sie die Taste , um den Roboter zur Basisstation zurückzubringen, oder setzen Sie den Roboter manuell zurück.



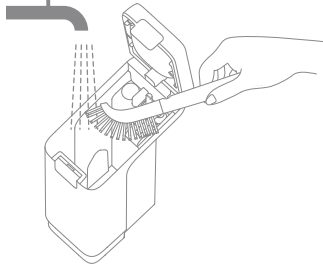
Regelmäßige Wartung

Schmutzwasserbehälter

1. Entfernen Sie den Schmutzwasserbehälter, öffnen Sie den Deckel und gießen Sie das Schmutzwasser aus.



2. Spülen Sie den Schmutzwasserbehälter mit sauberem Wasser bei Bedarf aus, und reinigen Sie die Innenwand des Schmutzwasserbehälters mit dem mitgelieferten Reinigungswerkzeug.



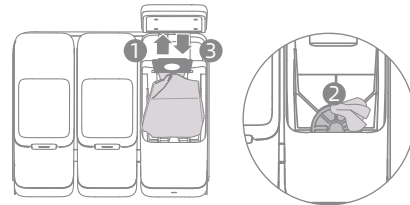
Hinweis: Die Schwimmerkugel im Schmutzwasserbehälter ist ein bewegliches Teil. Üben Sie beim Reinigen nicht zu viel Kraft aus, um sie nicht zu beschädigen.

Staubbeutel

1. Öffnen Sie die Staubbehälterabdeckung und entsorgen Sie den Staubbeutel. Wischen Sie den Filter mit einem weichen, trockenen Tuch ab.

Hinweis: Wenn Sie den Griff nach oben ziehen, wird der Beutel verschlossen, damit Staub und Schmutz nicht versehentlich herausfallen können.

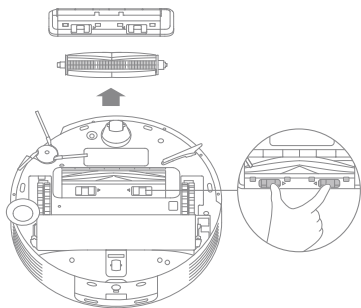
2. Setzen Sie einen neuen Staubbeutel ein und bringen Sie die Staubbehälterabdeckung wieder an.



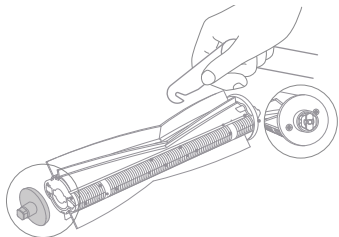
Regelmäßige Wartung

Hauptbürste

1. Drücken Sie den Bürstenschutz-Clip nach innen, um den Bürstenschutz zu entfernen und die Bürste aus dem Roboter zu heben.



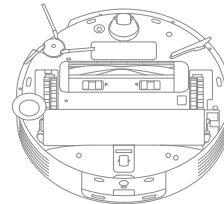
2. Ziehen Sie die quadratische Lagerabdeckung heraus, wie in der Abbildung gezeigt, und reinigen Sie dann die Hauptbürste mit einer Reinigungsbürste oder einem anderen geeigneten Werkzeug von Fremdkörpern.



3. Ziehen Sie die Bürstenleisten heraus und reinigen Sie sie wie in der Abbildung gezeigt. Reinigen Sie den Kamm mithilfe eines Reinigungswerkzeugs.



4. Setzen Sie die Bürstenleisten, die Bürstenabdeckung und die Bürste nacheinander wieder ein. Drücken Sie auf den Bürstenschutz, um ihn zu arretieren.



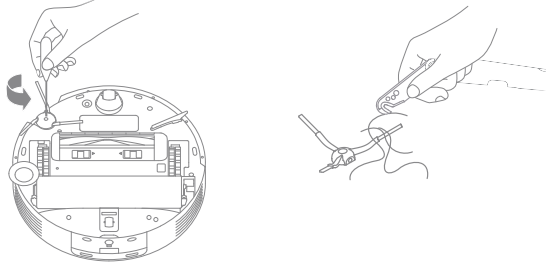
Hinweis:

- Wir empfehlen, die Bürstenleisten zur separaten Reinigung mit Wasser herauszunehmen, die Hauptbürste jedoch nicht zu waschen.
- Wenn die Hauptbürste stark verfilzt ist, prüfen Sie bitte, ob der Staubbehälter des Roboters voll ist und daher keine Haare einsaugen kann. Wenn dies der Fall ist, leeren Sie bitte den Staubbehälter.
- Bewahren Sie die Hauptbürste außerhalb der Reichweite von Kindern und Haustieren auf, um mögliche Verletzungen zu vermeiden.
- Gehen Sie beim Herausziehen der Bürstenabdeckung, Entfernen und Einsetzen der Bürstenstreifen vorsichtig vor, um Verletzungen zu vermeiden.

Regelmäßige Wartung

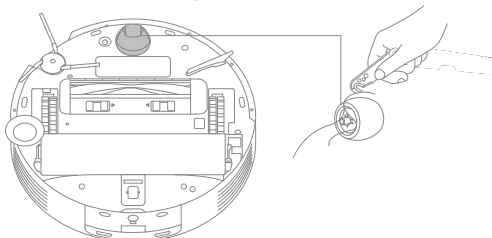
Seitenbürste

Schrauben Sie die Seitenbürste mit einem Schraubenzieher ab, reinigen Sie die Haare von der Bürste und schrauben Sie sie wieder an.



Omnidirektionales Rad

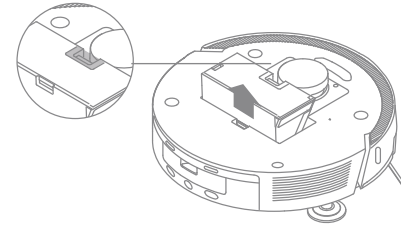
Trennen Sie die Achse und den Reifen des Rundumlaufwads mit einem Werkzeug, z. B. einem kleinen Schraubendreher. Üben Sie dabei keine übermäßige Kraft aus.



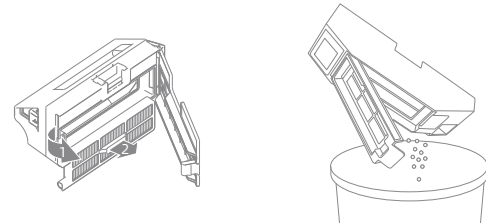
Hinweis: Spülen Sie das omnidirektionale Rad unter fließendem Wasser ab und setzen Sie es nach dem vollständigen Trocknen wieder ein.

Staubbehälter

1. Entfernen Sie die Abdeckung des Roboters und drücken Sie den Staubbehälter-Clip, um den Staubbehälter zu entfernen.



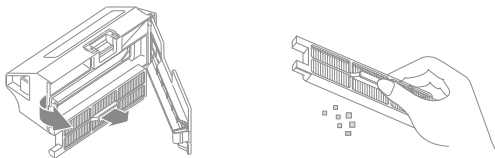
2. Öffnen Sie den Staubkastendeckel in Pfeilrichtung und schütten Sie die Abfälle aus.



Regelmäßige Wartung

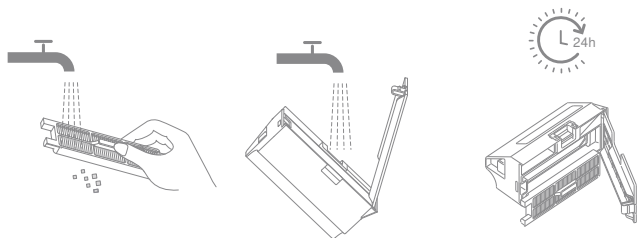
Filter

1. Nehmen Sie den Staubkastenfilter heraus und klopfen Sie leicht auf den Korb des Filters, um den Schmutz zu entfernen.



Hinweis: Reinigen Sie den Filter niemals mit einer Bürste, einem Finger oder scharfen Gegenständen, um Schäden zu vermeiden.

2. Spülen Sie den Staubbehälter und den Filter mit Wasser ab und trocknen Sie sie vor dem Einbau vollständig ab.

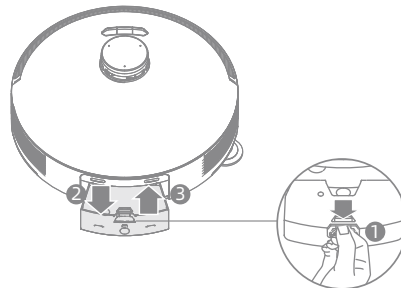


Hinweis:

- Spülen Sie den Staubbehälter und den Filter nur mit sauberem Wasser ab. Keine Reinigungsmittel verwenden.
- Verwenden Sie den Staubbehälter und den Filter nur, wenn sie vollständig trocken sind.

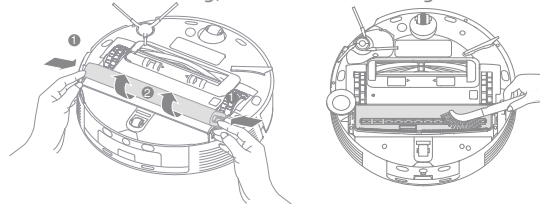
Schmutzwasserkasten des Roboters

Drücken und halten Sie die Entriegelungstasten des Schmutzwasserbehälters, um ihn zu entfernen. Gießen Sie das Schmutzwasser aus. Spülen Sie den Schmutzwasserkasten mit sauberem Wasser aus, wischen Sie ihn trocken oder trocknen Sie ihn ab. Anschließend setzen Sie ihn wieder in den Roboter ein.



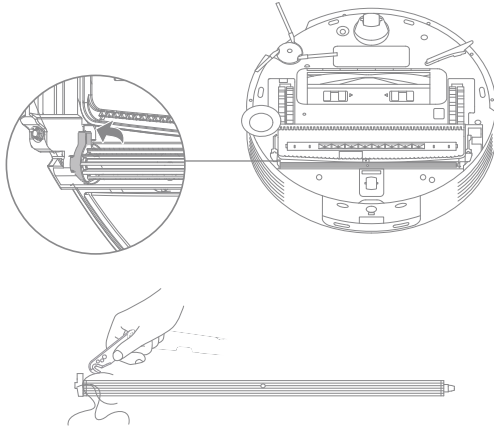
Schlitz der Mopp-Baugruppe und Fusselrolle

1. Nehmen Sie die Mopp-Baugruppe von der Unterseite des Roboters ab. Reinigen Sie den Steckplatz der Mopp-Baugruppe und die Filterentlüftung, um eine Blockierung zu vermeiden.



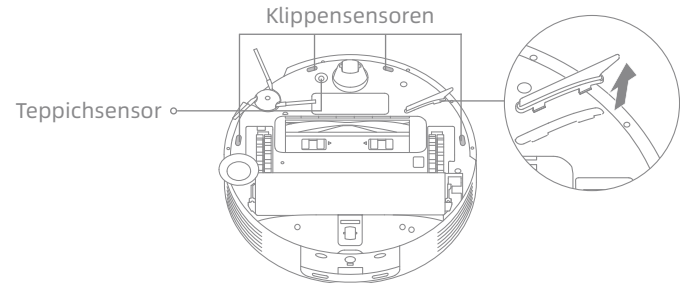
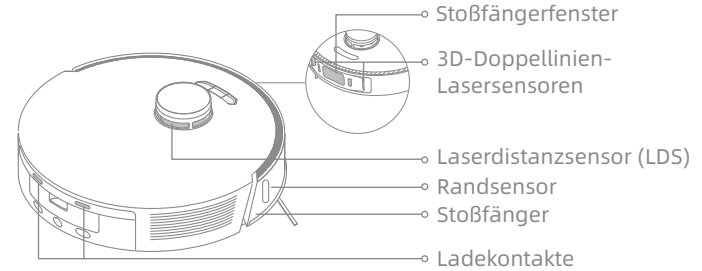
Regelmäßige Wartung

2. Ziehen Sie den Entriegelungsgriff vorsichtig heraus, um die Fusselrolle zu entfernen (siehe Abbildung unten). Reinigen Sie die Fusselrolle und setzen Sie sie wieder in den Roboter ein.

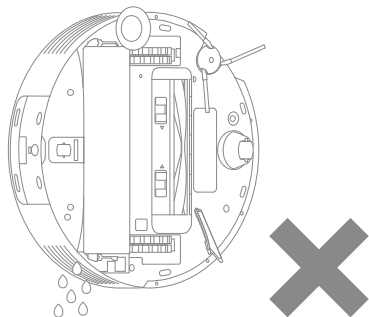


Sensoren und Ladkontakte des Roboters

Wischen Sie die Roboter-Sensoren und Ladkontakte mit einem weichen und trockenen Tuch ab, wie in der folgenden Abbildung dargestellt:



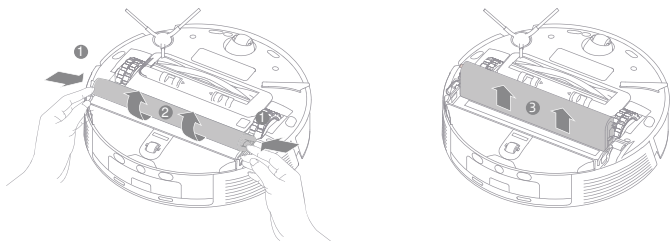
Regelmäßige Wartung



Hinweis: Ein feuchtes Tuch kann empfindliche Elemente im Inneren des Roboters und der Basisstation beschädigen. Bitte nutzen Sie ein trockenes Tuch zur Reinigung.

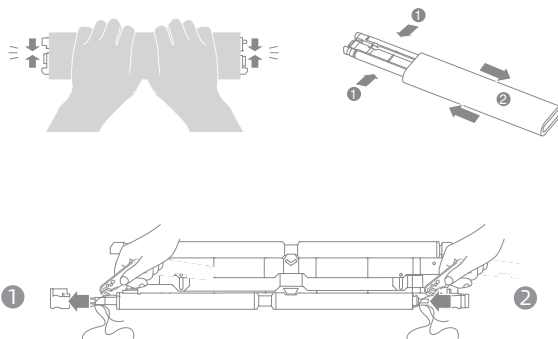
Mop-Baugruppe entfernen

1. Drücken Sie die Entriegelungstasten an beiden Enden des Wischmopps.
2. Heben Sie die Moppseite nahe der Rückseite des Roboters mit beiden Händen an und nehmen Sie die Mopp-Baugruppe aus dem Roboter.



Ersetzen des Wischmopps

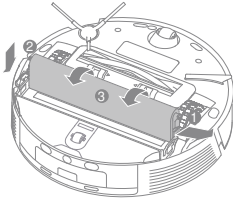
1. Fassen Sie den Wischmopp mit beiden Händen, um die Mopphalterung fest zu drücken, und ziehen Sie die Halterung zurück.
2. Halten Sie bei der Entfernung des Wischmopps den Wischmopp und die Halterung fest und trennen Sie sie vorsichtig.
3. Setzen Sie einen neuen Wischmopp auf die Halterung, drücken Sie die Entriegelungstasten an beiden Enden der Halterung, um die Halterung auszufahren, und stellen Sie sicher, dass der Wischmopp richtig eingesetzt ist.



Regelmäßige Wartung

Einsetzen der Mopp-Baugruppe

1. Setzen Sie die Mopp-Baugruppe senkrecht ein und richten Sie die Enden der Mopp-Baugruppe an den Schlitten des Roboters aus.
2. Drücken Sie die Mopp-Baugruppe nach unten, bis beide Seiten einrasten.



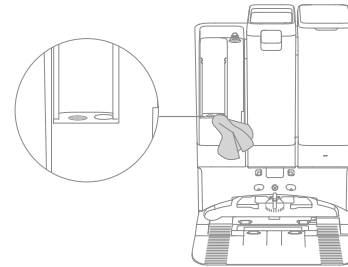
Ladekontakte

Reinigen Sie die Ladekontakte, den Signalisierungsbereich und die automatischen Entlüftungsöffnungen des Roboters mit einem weichen und trockenen Tuch.



Nachfüllöffnung für die Reinigungsflüssigkeit

Bei Verschmutzung der Nachfüllöffnung für die Reinigungsflüssigkeit wischen Sie diese mit einem weichen, trockenen Tuch ab.



Akku

Der Roboter enthält einen leistungsstarken Lithium-Ionen-Akku. Sorgen Sie bei täglichem Gebrauch um eine ausreichende Ladung des Akkus, um eine optimale Akkuleistung zu erhalten. Schalten Sie den Roboter bei längerem Nichtgebrauch aus und verstauen Sie ihn. Laden Sie den Roboter mindestens einmal alle drei Monate auf, um Schäden durch Überentladung zu vermeiden.

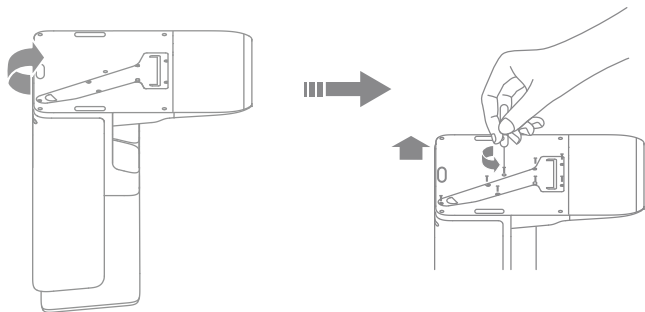
Regelmäßige Wartung

Reinigen des Luftkanals

Befolgen Sie bei einem verstopften Luftkanal die nachstehenden Schritte, um ihn zu reinigen.

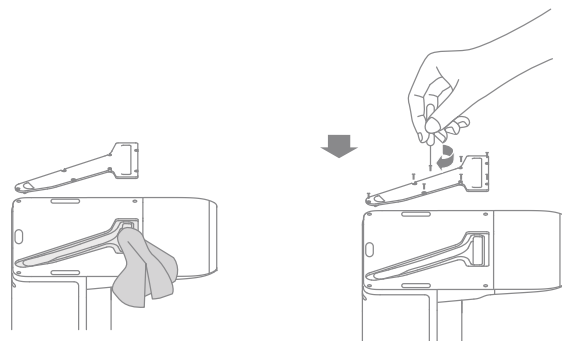
1. Drehen Sie die Basisstation vorsichtig um und lösen Sie die Schrauben mit einem geeigneten Werkzeug, um die Abdeckung des Luftkanals zu entfernen.

Hinweis: Entfernen Sie vor den Wartungsarbeiten den Wasserbehälter und wischen Sie das Wasser von der Waschplattenbasis und dem Wasserauslass ab, um ein Auslaufen des Wassers zu vermeiden.



2. Prüfen Sie, ob der Luftkanal durch Fremdkörper blockiert ist, und ggf. reinigen Sie ihn.



3. Bringen Sie die Abdeckung des Luftkanals wieder an, wie in der Abbildung gezeigt.




Fehlersuche

Problem	Lösung
Der Roboter lässt sich nicht einschalten.	<ul style="list-style-type: none"> ·Der Akku ist schwach. Laden Sie den Roboter an der Ladestation auf und versuchen Sie es dann erneut. ·Die Temperatur des Akkus ist zu niedrig oder zu hoch. Die empfohlene Betriebstemperatur des Geräts liegt zwischen 0 °C (32 °F) und 40 °C (104 °F).
Der Roboter lädt sich nicht auf.	<ul style="list-style-type: none"> ·Die Basisstation ist nicht an die Stromversorgung angeschlossen. Bitte stellen Sie sicher, dass beide Enden des Netzkabels korrekt angeschlossen sind. ·Der Kontakt zwischen den Ladekontakten an der Basisstation und dem Roboter ist schlecht, bitte reinigen Sie die Ladekontakte. ·Überprüfen Sie, ob sich an den Anschlüssen des Roboters Fremdkörper befinden, und entfernen Sie ggf. diese Fremdkörper.
Der Roboter kann keine Verbindung zum WLAN herstellen.	<ul style="list-style-type: none"> ·Das Passwort für das WLAN-Netzwerk ist falsch. Überprüfen Sie, ob das Passwort für die Verbindung mit Ihrem WLAN-Netzwerk korrekt ist. ·Der Roboter unterstützt keine 5 GHz-WLAN-Verbindung. Stellen Sie sicher, dass der Roboter mit einer 2,4-GHz-WLAN-Verbindung verbunden ist. ·Das WLAN-Signal ist schwach. Stellen Sie sicher, dass sich der Roboter in einem Gebiet mit guter WLAN-Abdeckung befindet. ·Der Roboter ist möglicherweise nicht für die Konfiguration bereit. Beenden Sie die App, starten Sie diese erneut, und versuchen Sie es dann noch einmal wie angewiesen.
Der Roboter findet nichts und kehrt zur Basisstation zurück.	<ul style="list-style-type: none"> ·Die Basisstation ist nicht an das Stromnetz angeschlossen oder wurde bewegt, während der Roboter nicht auf ihr steht. Bitte schließen Sie die Basisstation an das Stromnetz an oder stellen Sie den Roboter zum Aufladen auf die Basisstation. ·Es gibt zu viele Hindernisse um die Basisstation herum. Platzieren Sie die Basisstation in einen freistehenden Bereich. ·Wenn der Roboter bewegt wird, muss er sich möglicherweise neu positionieren, und er erstellt eine neue Karte, wenn die Neupositionierung fehlschlägt. Wenn der Roboter zu weit von der Basisstation entfernt ist, kann er möglicherweise nicht automatisch zurückkehren. In diesem Fall müssen Sie den Roboter manuell auf die Basisstation stellen. ·Wischen Sie den Signalisierungsbereich an der Basisstation ab, um Staub oder Schmutz zu entfernen.
Der Roboter bleibt vor der Basisstation stecken und kann nicht zu ihr zurückkehren.	<ul style="list-style-type: none"> ·Prüfen Sie, ob auf beiden Seiten bzw. vor der Basisstation genügend Platz vorhanden ist, um ein Blockieren des Roboters zu verhindern. ·Der Weg für die Rückkehr zum Aufladen ist blockiert, z. B. die Tür ist geschlossen. ·Der Roboter kann wegrutschen, wenn der Boden vor der Basisstation übermäßig nass ist. Wenn dies der Fall ist, entfernen Sie zunächst das überschüssige Wasser, bevor Sie es erneut versuchen. ·Es wird empfohlen, die Basisstation an einen anderen Ort zu stellen und es erneut zu versuchen. ·Vergewissern Sie sich, dass die Rampenverlängerungsplatte richtig installiert ist.

Fehlersuche

Problem	Lösung
Der Roboter lässt sich nicht ausschalten.	<ul style="list-style-type: none"> · Der Roboter kann während des Ladevorgangs nicht ausgeschaltet werden. Zum Ausschalten des Roboters wird empfohlen, ihn von der Basisstation zu entfernen und die Taste  3 Sekunden lang gedrückt zu halten. · Wenn sich der Roboter durch Ausführen von Schritt 1 nicht ausschalten lässt, halten Sie die Taste  10 Sekunden lang gedrückt, um ein Ausschalten des Roboters zu erzwingen. Wenn das Problem weiterhin besteht, wenden Sie sich bitte an den Kundendienst.
Die Wischmopp-Baugruppe ist abnormal angehoben.	<ul style="list-style-type: none"> · Bitte entfernen Sie die Mopp-Baugruppe, prüfen Sie, ob sich ein Fremdkörper darin befindet, und starten Sie den Roboter neu. Wenn das Problem weiterhin besteht, wenden Sie sich bitte an den Kundendienst.
Unter dem Frischwasserbehälter oder um die Dichtung herum befindet sich Wasser.	<ul style="list-style-type: none"> · Wenn Sie den Frischwasserbehälter herausnehmen, kann etwas Wasser in der Leitung unter dem Behälter oder um die Dichtung herum zurückbleiben. Dies ist normal. Wischen Sie es bitte mit einem trockenen Tuch ab.
Die Aufladegeschwindigkeit ist langsam.	<ul style="list-style-type: none"> · Bei niedrigem Akkuladestand dauert es etwa 4,5 Stunden, den Roboter vollständig aufzuladen. · Wenn Sie den Roboter bei Temperaturen außerhalb des angegebenen Bereichs betreiben, wird die Ladegeschwindigkeit automatisch verlangsamt, um die Lebensdauer des Akkus zu verlängern. · Die Ladekontakte sowohl am Roboter als auch an der Basisstation können verschmutzt sein, bitte wischen Sie sie mit einem trockenen Tuch ab.
Die Geräusche nehmen zu, während der Roboter in Betrieb ist.	<ul style="list-style-type: none"> · Prüfen Sie, ob der Staubbehälterfilter verstopft ist. Wenn ja, reinigen Sie ihn oder ersetzen Sie ihn. · Ein harter Gegenstand könnte in der Hauptbürsten oder im Staubbehälter eingeklemmt sein. Prüfen und entfernen Sie alle harten Gegenstände. · Die Hauptbürsten oder die Seitenbürste kann sich verheddern. Prüfen und entfernen Sie alle Fremdkörper. · Schalten Sie den Saugmodus auf Standard oder Leise.
Der Roboter bewegt sich, ohne der festgelegten Route zu folgen.	<ul style="list-style-type: none"> · Gegenstände wie Stromkabel und Hausschuhe sollten vor dem Einsatz des Roboters aufgeräumt werden. · Beim Einsatz auf nassen, rutschigen Oberflächen rutscht das Hauptrad durch. Es wird empfohlen, die nassen Stellen vor dem Einsatz des Roboters zu trocknen. · Wischen Sie das Stoßfängerfenster und die 3D-Doppellinien-Lasersensoren des Roboters mit einem sauberen, weichen Tuch ab, um sie sauber und funktionsfähig zu halten.

Fehlersuche

Problem	Lösung
Der Roboter kann die zu reinigenden Räume nicht erreichen.	<ul style="list-style-type: none"> · Stellen Sie sicher, dass die Türen der zu reinigenden Räume offen sind. · Prüfen Sie, ob die Türschwelle des Zimmers höher als ca. 2 cm ist. Der Roboter kann nicht über hohe Schwellen oder Stufen fahren. · Der Boden vor dem zu reinigenden Zimmer kann nass und rutschig sein, so dass der Roboter wegrutscht und nicht ordnungsgemäß funktioniert. Trocknen Sie den Boden, bevor Sie den Roboter benutzen.
Der Roboter nimmt die Reinigung nach dem Laden nicht wieder auf.	<ul style="list-style-type: none"> · Vergewissern Sie sich, dass der Roboter nicht auf den Nicht-Stören-Modus (DND) eingestellt ist, da er dann die Reinigung nicht fortsetzen kann. · Der Roboter setzt die Reinigung nicht fort, nachdem Sie den Roboter manuell auf die Basisstation gestellt haben oder den Roboter über die App oder durch Drücken der Taste  zum Aufladen geschickt haben.
Die Station kann den Staubbehälter nicht automatisch leeren.	<ul style="list-style-type: none"> · Prüfen Sie, ob der Staubbeutel im Staubbehälter voll ist. · Wenn der Staubbeutel nicht voll ist, prüfen Sie, ob die automatisch entleerten Entlüftungsöffnungen des Roboters, der Basisstation oder des Staubbehälters verstopft sind. Falls ja, beseitigen Sie die Verstopfung rechtzeitig.
Der Wasserstand der Waschplattenbasis ist nicht normal.	<ul style="list-style-type: none"> · Prüfen Sie, ob der Abwasserabfluss verstopft ist, und reinigen Sie ihn gegebenenfalls. · Drücken Sie vorsichtig auf Schmutzwasserbehälter, um sicherzustellen, dass er richtig installiert ist. · Überprüfen Sie, ob die Dichtung am Schmutzwasserbehälter lose oder nicht richtig installiert ist, und setzen Sie sie gegebenenfalls manuell zurück. Wenn das Problem weiterhin besteht, wenden Sie sich bitte an den Kundendienst. · Überprüfen Sie die Reinigungsflüssigkeit. Fügen Sie keine anderen Flüssigkeiten als die offiziell zugelassene Reinigungsflüssigkeit hinzu.

Bei weiteren Fragen wenden Sie sich bitte an <https://www.mova.tech>

Spezifikationen

Roboter

Modell	RLZ92CE
Ladezeit	Ca. 4,5 Stunden
Bemessungsspannung	14,4 V $\overline{=}$
Bemessungsleistung	75 W
Betriebsfrequenz	2400 - 2483,5 MHz
Maximale Ausgangsleistung	< 20 dBm

Basisstation/Ladestation

Energieverbrauch im Aus-Modus: $\leq 0,3$ W

Energieverbrauch im Standby-Modus: $\leq 0,5$ W (innerhalb von 15 Minuten, nachdem der Roboter von der Basisstation/Ladestation entfernt wurde)

Roboter&Basisstation/Ladestation

Das Gerät verfügt nicht über einen Standby-Modus oder einen anderen vergleichbaren Status hinsichtlich der Standby-Anforderungen, der Energieverwaltungsfunktion oder der Möglichkeit, drahtlose Netzwerkverbindungen wegen der erforderlichen Batteriewartung zu deaktivieren. Der Stromverbrauch des Geräts dürfte höher sein als bei anderen Modellen, die diese Funktionsanforderungen erfüllen.

Basisstation

Modell	RCZE0301
Nenneingang	220-240 V \sim 50-60 Hz
Nennausgang	19.4 V $\overline{=}$ 3 A
Bemessungsleistung (beim Staubentleeren)	700 W
Bemessungsleistung (während der Heißwasserreinigung)	1160 W
Bemessungsleistung (während des Ladens und Trocknens)	95 W

Unter normalen Einsatzbedingungen muss dieses Gerät in einem Abstand von mindestens 20 cm zwischen der Antenne und dem Körper des Benutzers gehalten werden.

Hinweis:

- Die Bemessungsleistung (während der Heißwasserreinigung) wird durch den Leistungswert während des angegebenen Zeitraums (Wassertemperatur 25 °C) bestimmt.
- Die Bemessungsleistung (beim Lade- und Trocknungsvorgang) wird durch den Leistungswert während der Vollastperiode bestimmt.

Entsorgung und Entfernung von Batterien

Die eingebaute Lithium-Ionen-Batterie enthält umweltgefährdende Substanzen. Stellen Sie vor der Entsorgung der Batterie sicher, dass die Batterie von qualifizierten Technikern entfernt und in einer geeigneten Recyclinganlage entsorgt wird.

- Der Akku muss vor der Entsorgung aus dem Gerät entfernt werden;
- Das Gerät muss beim Entfernen des Akkus vom Stromnetz getrennt werden;
- Der Akku muss sicher entsorgt werden.

ACHTUNG:

Bevor Sie den Akku entfernen, trennen Sie die Stromversorgung und lassen Sie den Akku komplett leer laufen.

Nicht benötigte Batterien sollten in einer geeigneten Recyclinganlage entsorgt werden.

Lassen Sie den Akku nicht in einer Umgebung mit extrem hohen Temperaturen, um Explosionsrisiken zu vermeiden.

Unter missbräuchlicher Verwendung kann Flüssigkeit aus der Batterie ausgestoßen werden. Wenn Sie aus Versehen anfassen, spülen Sie mit Wasser und suchen Sie medizinische Hilfe.

Anleitung zum Herausnehmen:

1. Drehen Sie den Roboter um, entfernen Sie mit einem geeigneten Werkzeug die Schrauben auf der Rückseite des Roboters und nehmen Sie dann die Abdeckung ab.
2. Lösen Sie die Klemmen zwischen dem Akku und der Leiterplatte, um den Akku zu entfernen.

WEEE-Informationen



Alle mit diesem Symbol gekennzeichneten Produkte sind Elektroschrott und Elektrogeräte (WEEE entsprechend EU-Richtlinie 2012/19/EU) und dürfen nicht mit unsortiertem Haushaltsmüll vermischt werden. Schützen Sie stattdessen Ihre Mitmenschen und die Umwelt, indem Sie Ihre zu entsorgenden Geräte an eine dafür vorgesehene, von der Regierung oder einer lokalen Behörde eingerichtete Sammelstelle zum Recycling von Elektroschrott und Elektrogeräten bringen. Eine ordnungsgemäße Entsorgung und Recycling helfen, negative Auswirkungen auf die Gesundheit von Umwelt und Menschen zu vermeiden. Wenden Sie sich bitte an den Installateur oder lokale Behörden, um Informationen zum Standort und den allgemeinen Geschäftsbedingungen solcher Sammelstellen zu erhalten.

Informations sur la sécurité

Pour éviter tout risque d'électrocution, de départ de feu ou de blessures lié à une utilisation non conforme de l'appareil, veuillez attentivement lire le mode d'emploi avant d'utiliser l'appareil et le conserver pour toute référence ultérieure.

Restrictions d'utilisation

- Ce produit ne doit pas être utilisé par des enfants âgés de moins de 8 ans et des personnes ayant un handicap physique, sensoriel ou intellectuel, ou une connaissance ou une expérience limitée sans la surveillance d'un parent ou d'un tuteur pour assurer un fonctionnement en toute sécurité et éviter les risques. Les opérations de nettoyage et d'entretien ne doivent pas être effectuées par les enfants sans supervision.
- L'appareil ne doit être utilisé qu'avec le bloc d'alimentation fourni avec l'appareil.
- Cet appareil contient des batteries qui ne peuvent être remplacées que par des personnes qualifiées.
- Dégagez la surface à nettoyer. Les enfants ne doivent pas jouer avec l'appareil. Assurez-vous que les enfants et animaux de compagnie se tiennent à distance du robot en fonctionnement.
- Évitez d'installer, de charger ou d'utiliser l'appareil dans les salles de bains ou autour des piscines.
- Ce produit est conçu pour nettoyer le sol dans un environnement domestique uniquement. Ne l'utilisez pas à l'extérieur, sur des surfaces brutes, ou dans un milieu industriel ou commercial.
- Assurez-vous que l'appareil fonctionne correctement dans un environnement approprié. Sinon, n'utilisez pas l'appareil.
- Si le cordon d'alimentation est endommagé, il doit être remplacé par un assemblage ou cordon spécial disponible auprès du fabricant ou de son réparateur agréé.

Informations sur la sécurité

Restrictions d'utilisation

- N'utilisez pas le robot dans un espace suspendu au-dessus du sol sans barrière de protection.
- Ne renversez pas le robot. N'utilisez pas le couvercle LDS, le capot du robot ou le pare-chocs comme poignée pour tenir le robot.
- Utilisez le robot dans des environnements à une température ambiante supérieure à 0 °C et inférieure à 40 °C. Assurez-vous qu'il n'y a pas de liquide ou de substance collante sur le sol.
- Pour éviter tout risque de dommage ou blessure causé par un raclement, retirez tous les objets mobiles du sol, ainsi que les câbles ou cordons d'alimentation sur l'itinéraire de nettoyage avant de faire fonctionner l'appareil.
- Retirez les objets fragiles ou de petite taille présents sur le sol pour empêcher le robot de les heurter ou de les endommager.
- Tenez les cheveux, les doigts et toute autre partie du corps éloignés de l'orifice d'aspiration du robot.
- Gardez l'outil de nettoyage hors de la portée des enfants.
- N'utilisez pas l'appareil dans une pièce où un nourrisson ou un enfant dort.
- Ne placez pas un enfant, un animal domestique ou tout objet sur le robot, qu'il soit en marche ou à l'arrêt.
- Vous pouvez uniquement verser de l'eau propre et la solution de nettoyage agréée dans le réservoir d'eau propre. N'ajoutez pas un autre liquide tel que de l'alcool ou un désinfectant. Le rapport entre la solution de nettoyage et l'eau propre figure sur le flacon de solution de nettoyage. Gardez la solution de nettoyage hors de la portée des enfants.

Informations sur la sécurité

Restrictions d'utilisation

- N'utilisez pas le robot pour nettoyer des objets qui brûlent. N'utilisez pas le robot pour ramasser des liquides combustibles ou inflammables, des gaz corrosifs ou des acides ou des solvants non dilués.
- N'aspirez pas d'objets durs ou tranchants. N'utilisez pas l'appareil pour ramasser des objets tels que des cailloux, des gros morceaux de papier ou tout objet susceptible d'obstruer l'appareil.
- La fiche doit être débranchée de la prise avant de nettoyer ou d'entretenir l'appareil.
- N'essuyez pas le robot ou la station de base avec un chiffon humide et ne les rincez pas avec un liquide. Après le nettoyage des pièces lavables, séchez-les complètement avant de les réinstaller et de les utiliser.
- Veuillez utiliser ce produit conformément aux instructions présentes dans le monde d'emploi. Les utilisateurs sont responsables de toute perte ou de tout dommage occasionné par une utilisation non conforme de ce produit.

Batteries et recharge

- N'utilisez pas de batterie ou de station de base tierce. Le robot ne peut être utilisé qu'avec la station de base RCZE0301.
- N'essayez pas de démonter, de réparer ou de modifier la batterie ou la station de base vous-même.
- Ne placez pas la station de base à proximité d'une source de chaleur.
- N'utilisez pas un chiffon mouillé ou et ne manipulez pas l'appareil les mains humides pour essuyer ou nettoyer les contacts de charge de la station de base.
- N'éliminez pas les batteries usagées de manière inappropriée. Les batteries non utilisées doivent être mises au rebut dans un centre de recyclage approprié.

Informations sur la sécurité

Batteries et recharge

- Si le cordon d'alimentation est endommagé ou coupé, arrêtez de l'utiliser immédiatement et contactez le service après-vente.
- Assurez-vous que le robot est éteint lorsque vous le transportez et rangez-le dans son emballage d'origine si possible.
- Si le robot n'est pas utilisé pendant une longue période, chargez-le complètement, puis éteignez-le et rangez-le dans un endroit sec et frais. Rechargez le robot au moins tous les 3 mois pour ne pas trop décharger la batterie.

Informations de sécurité sur le laser

- Le capteur laser de ce produit répond à la norme IEC 60825-1:2014/EN 60825-1:2014/A11:2021 des appareils à laser de classe 1. Veuillez éviter de regarder directement le laser pendant l'utilisation.

APPAREIL À LASER DE CLASSE 1

APPAREIL À LASER DESTINÉ AU GRAND PUBLIC

EN 50689:2021



Pour un usage en intérieur uniquement



Lire le mode d'emploi

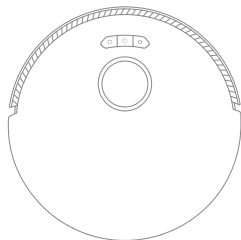
Par le présent document, XingKuang Innovation Technology (Suzhou) Co., Ltd. déclare que le modèle d'équipement radio RLZ92CE répond à la directive 2014/53/UE.

L'intégralité du texte de la déclaration UE de conformité est disponible à l'adresse Internet suivante : <https://www.mova.tech>

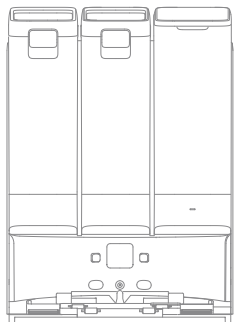
Pour obtenir le mode d'emploi électronique détaillé, veuillez consulter <https://www.mova.tech/pages/user-manuals-and-faqs>

Présentation du produit

Contenu de l'emballage



Robot

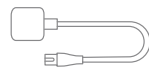


Station de base

Autres accessoires



Brosse latérale
(préinstallé)



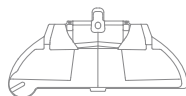
Cordon
d'alimentation



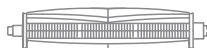
Unité de serpillière
(préinstallé)



Plaque d'extension
de rampe de la
station de base
(à installer avant utilisation)



Plaque de lavage
(préinstallé)



Brosse
principale
(préinstallé)



Serpillière de
bord



Sac à poussière
(préinstallé)



Solution de
nettoyage



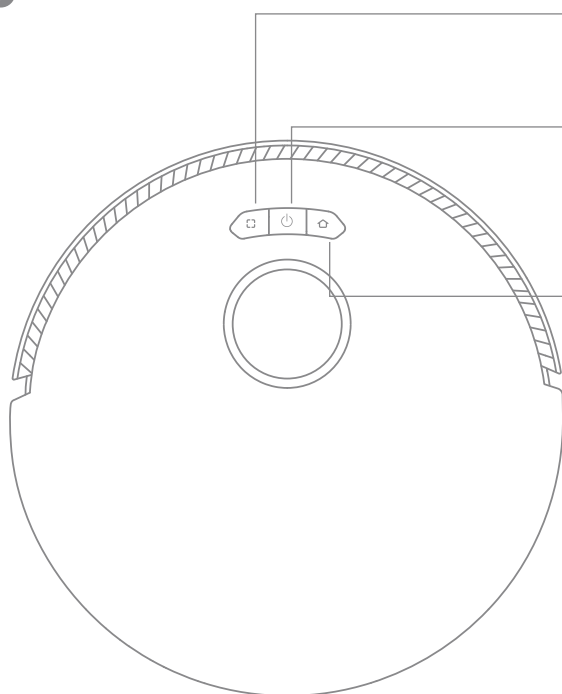
Outil de nettoyage
(à stocker dans la station de
base)



Mode d'emploi

Présentation du produit

Robot



◻ Bouton de nettoyage localisé

- Appuyez pour démarrer le nettoyage localisé

⏻ Bouton d'alimentation/nettoyage

- Appuyez et maintenez enfoncé pendant 3 secondes pour allumer ou éteindre
- Appuyez pour commencer le nettoyage une fois le robot allumé

🏠 Bouton de station d'accueil

- Appuyez pour renvoyer le robot à la station de base
- Appuyez et maintenez enfoncé pendant 3 secondes pour désactiver le Verrouillage enfants

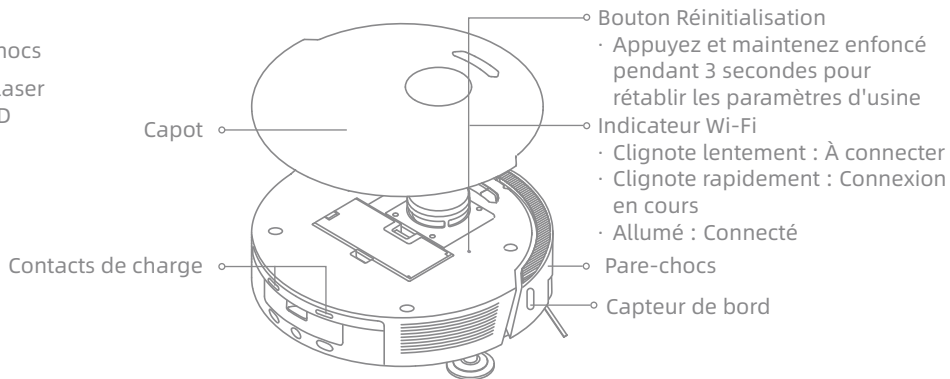
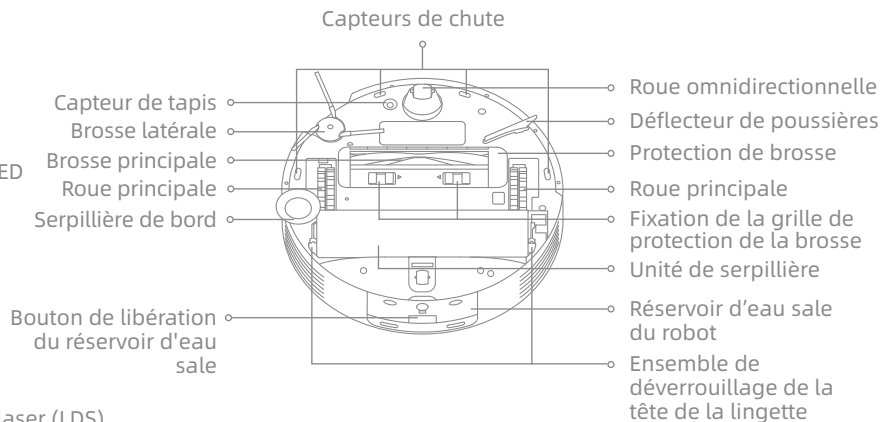
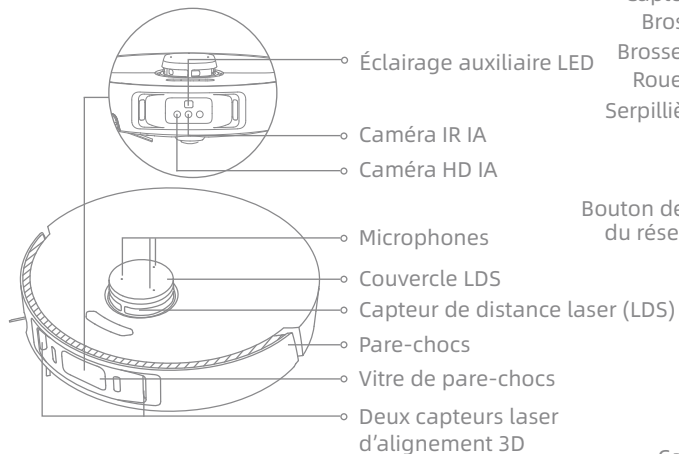
Indicateur d'état

- Blanc fixe : Nettoyage ou lavage terminé
- Orange clignotant : Erreur
- Orange fixe : En veille avec batterie faible ou en pause avec batterie faible

- **Remarque** : Appuyez sur n'importe quel bouton du robot pour faire une pause pendant que le robot nettoie ou revient pour se charger.
- Le Verrouillage enfants peut être activé/désactivé avec l'application MOVAhome.

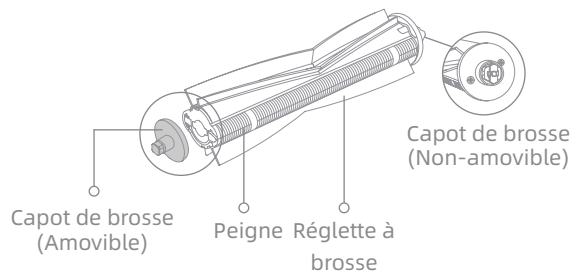
Présentation du produit

Robot et capteurs

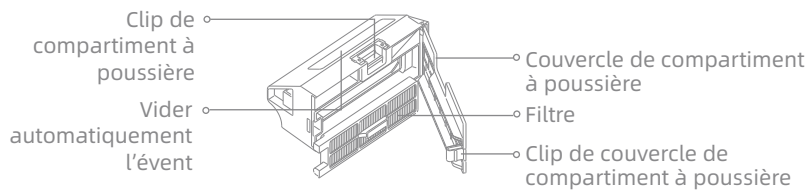


Présentation du produit

Brosse principale



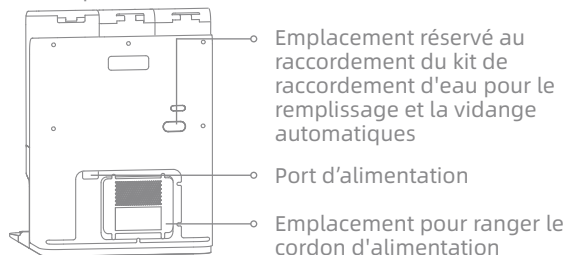
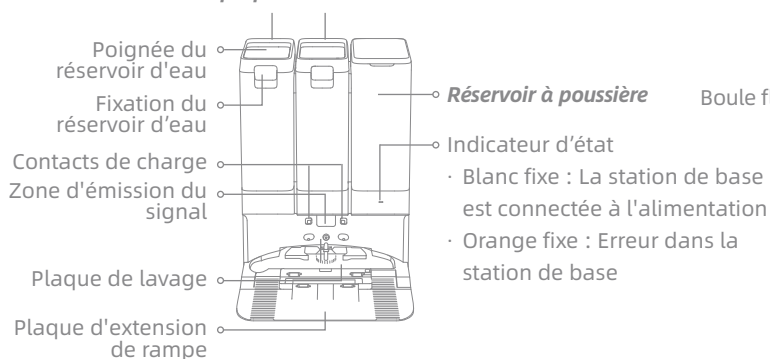
Compartiment à poussière



Présentation du produit

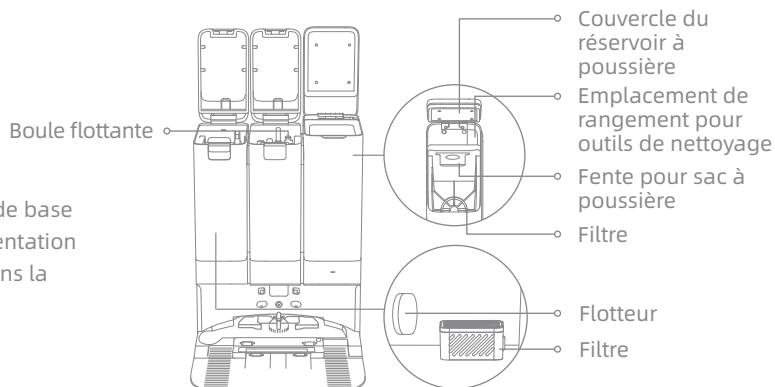
De la station de base (externe)

Réservoir d'eau propre Réservoir d'eau sale



Remarque : Le kit de raccordement à l'eau pour le remplissage et la vidange automatiques doit être acheté séparément. (Disponible uniquement dans certaines régions)

De la station de base (interne)



Unité de serpillière

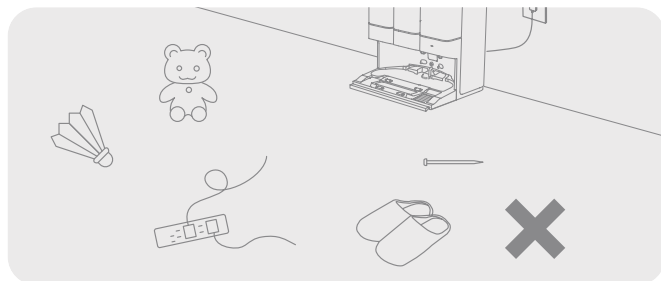


Support de serpillière

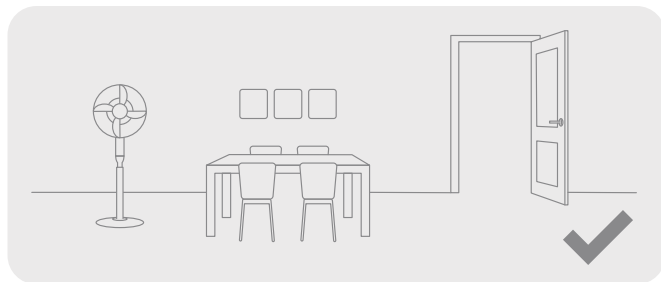


Serpillère

Préparer son intérieur



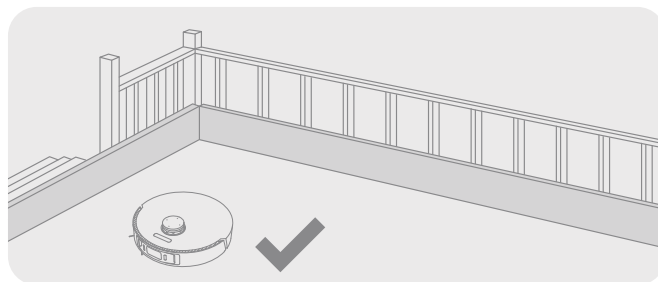
Avant de procéder au nettoyage, éloignez les objets instables, fragiles, précieux ou dangereux, et ramassez les câbles, les chiffons, les jouets, les objets durs et pointus qui se trouvent sur le sol, afin d'éviter que le robot ne les emmêle, ne les raye ou ne les renverse, ce qui entraînerait des pertes.



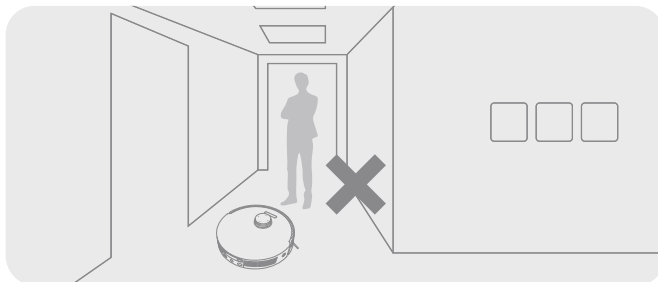
Ouvrez la porte de la pièce à nettoyer et placez les meubles dans un espace approprié pour laisser plus d'espace.

Remarque :

- À la première utilisation du robot, suivez-le pendant qu'il nettoie afin de retirer tout obstacle éventuel à temps.
- L'éclairage auxiliaire LED fournira un éclairage d'appoint dans les environnements faiblement éclairés.
- N'aspirez pas des objets durs tels que des cailloux, des boules en acier et des pièces de jouet, ou des objets tranchants tels que des déchets de construction, du verre brisé et des clous, sinon cela peut rayer le sol.



Avant le nettoyage, placez une barrière physique au bord de l'escalier pour garantir la sécurité et le bon fonctionnement du robot.

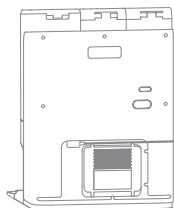
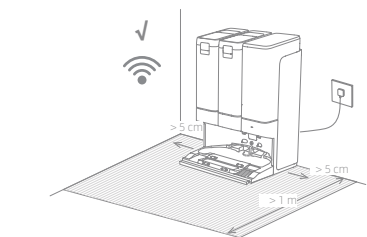


Pour permettre au robot de bien identifier les zones qui doivent être nettoyées, ne restez pas devant le robot, un seuil, un couloir ou des endroits étroits.

Avant l'utilisation

1. Placer la station de base et la brancher sur une prise électrique

- ① Retirez les protections de la station de base.
- ② Placez la station de base dans un endroit le plus dégagé possible et disposant d'un signal Wi-Fi satisfaisant. Libérez suffisamment d'espace, comme montré sur le schéma, et retirez tous les objets de la zone obscurcie. Insérez le cordon d'alimentation dans la station de base et branchez-le sur la prise.



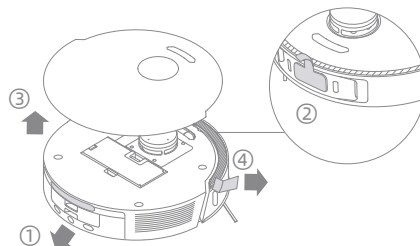
Insérez fermement le cordon d'alimentation vers le haut jusqu'à ce que l'indicateur s'allume.

Remarque :

- Assurez-vous qu'aucun objet ne bloque la zone d'émission du signal.
- Pour éviter que l'eau ne mouille les parquets ou les tapis, il est recommandé d'installer la station de base sur des sols en carrelage ou en marbre.

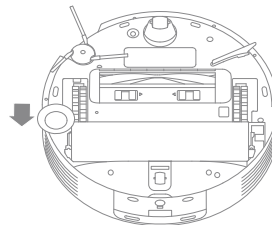
2. Retirez les protections du robot

Retirez les protections du robot comme indiqué ci-dessous.



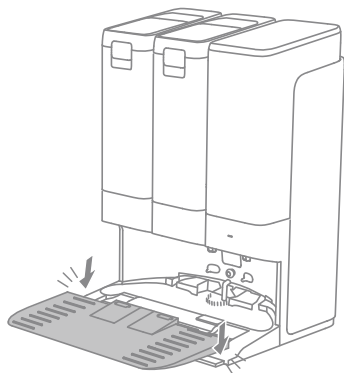
3. Installez la nouvelle serpillière

Installez le tampon à franges à l'arrière du robot.




Avant l'utilisation

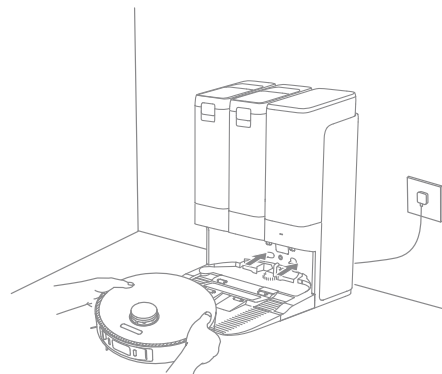
4. Installer la plaque d'extension de rampe



Remarque : Installez la plaque d'extension de la rampe jusqu'à ce qu'elle s'enclenche.

5. Connecter le robot à la station de base

Maintenez le bouton  du robot enfoncé pendant 3 secondes pour l'allumer. Placez le robot sur la station de base avec l'unité de serpillière orientée vers la planche à laver. Une notification vocale est émise lorsque le robot est bien connecté à la station de base.

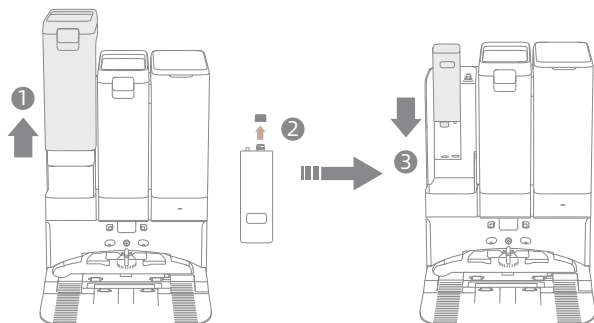


Remarque : Il est conseillé de charger complètement le robot avant la première utilisation. Quand le robot ne peut pas être activé lorsque la batterie est déchargée, connectez manuellement le robot à la station pour le recharger.

Avant l'utilisation

6. Installer la solution de nettoyage

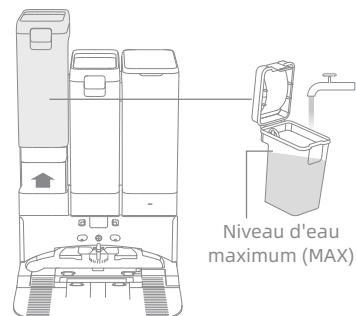
Retirez le réservoir d'eau propre de la station de base, dévissez le capuchon de la solution de nettoyage et insérez la solution de nettoyage dans la fente de la station de base. La solution de nettoyage sera automatiquement ajoutée pendant le fonctionnement.



Remarque : N'ajoutez pas de liquide autre que la solution de nettoyage approuvée pour éviter toute défaillance.

7. Verser l'eau dans le réservoir d'eau propre

Retirez le réservoir d'eau propre de la station de base et remplissez le réservoir d'eau propre jusqu'au niveau maximum (MAX). Puis remettez-le en place dans la station de base.



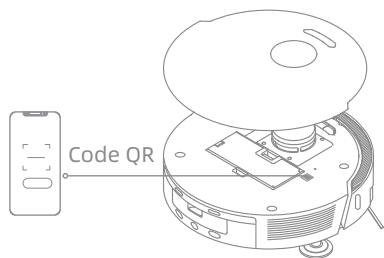
Remarque :

- Ne versez pas d'eau chaude dans le réservoir d'eau car cela peut le déformer.
- Empêchez les personnes et les animaux domestiques de boire l'eau contenue dans le réservoir d'eau et la base de la planche à laver.

Connexion avec l'application MOVAhome

1. Télécharger l'application MOVAhome

Retirez le couvercle du robot et scannez le code QR sur le robot ou recherchez « MOVAhome » dans l'App Store pour télécharger et installer l'application.



Remarque :

- Seul le réseau Wi-Fi 2,4 GHz est reconnu.
- Le logiciel d'application étant soumis à des mises à jour, les opérations réelles peuvent donc différer des instructions de ce manuel. Veuillez suivre les instructions selon la version actuelle de l'application.

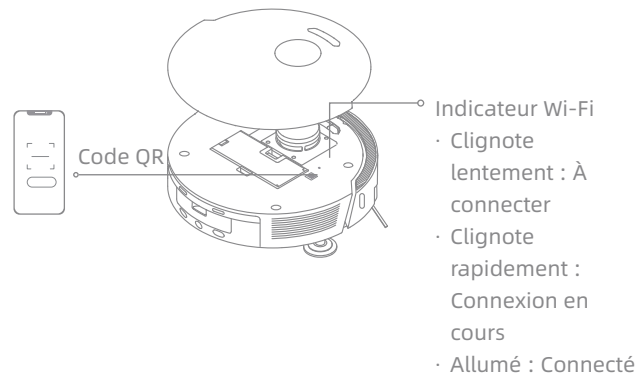
2. Ajouter un appareil

Ouvrez l'application MOVAhome, appuyez sur « Scanner le code QR pour se connecter », et scannez à nouveau le même code QR sur le robot pour ajouter l'appareil. Suivez les messages d'instructions pour terminer la connexion Wi-Fi.

* Le voyant Wi-Fi commence à clignoter lentement et indique que le robot est entré dans la configuration du réseau.



Remarque: Pour réinitialiser le Wi-Fi, répétez l'étape 2, puis suivez les instructions pour terminer la connexion Wi-Fi.

Pour déconnecter l'appareil du réseau Wi-Fi, maintenez le bouton de réinitialisation du robot enfoncé pendant 3 secondes.



Mode d'utilisation

Allumer/Éteindre

Appuyez et maintenez le bouton  enfoncé pendant 3 secondes pour activer le robot. L'indicateur d'état reste allumé. Pour éteindre le robot, éloignez-le de la station de base et maintenez le bouton  enfoncé pendant 3 secondes.

Cartographie rapide

Après avoir configuré le réseau pour la première fois, suivez les instructions de l'application pour créer rapidement une carte. Le robot commencera à cartographier sans nettoyage. Lorsque le robot retourne à la station de base, le processus de cartographie est terminé et la carte sera automatiquement enregistrée.

Pause/Veille

Lorsque le robot fonctionne, appuyez sur n'importe quel bouton pour le mettre en pause.

Si le robot est mis en pause pendant plus de 10 minutes, il passe automatiquement en mode veille. Tous les indicateurs sur le robot s'éteindront. Appuyez sur n'importe quel bouton du robot, ou utilisez l'application pour réactiver le robot.

Remarque : Si le robot est mis en pause et placé sur la station de recharge, la tâche de nettoyage en cours se terminera.

Reprise automatique du nettoyage

Si la batterie est trop faible, le robot retournera automatiquement à la station de base pour se recharger. Après avoir rechargé la batterie au niveau approprié, il reprendra les tâches de nettoyage inachevées.

Remarque : Pour utiliser cette fonction, veuillez l'activer dans l'application.


Mode Ne pas déranger (DND)

Lorsque le robot est réglé sur le mode Ne pas déranger (DND), il lui sera impossible de reprendre le nettoyage. Le mode DND est désactivé par défaut à l'usine. Vous pouvez utiliser l'application pour activer le mode DND ou modifier la période DND. La période DND est de 22h00 à 8h00 par défaut.



Remarque :

- Les tâches de nettoyage planifiées seront effectuées comme d'habitude pendant la période DND.
- Le robot reprendra le nettoyage là où il s'est arrêté à la fin de la période DND.

Nettoyage localisé

Lorsque le robot est en veille, appuyez brièvement sur le bouton  pour activer le mode de nettoyage localisé. Dans ce mode, le robot nettoie une surface carrée de 1,5 × 1,5 mètres autour de lui, et retourne à son point de départ à la fin du nettoyage localisé.

Redémarrage du robot


Si le robot ne répond plus ou ne peut pas être éteint, maintenez le bouton  enfoncé pendant 10 secondes pour l'éteindre de force. Ensuite, maintenez le bouton  enfoncé pendant 3 secondes pour allumer le robot.

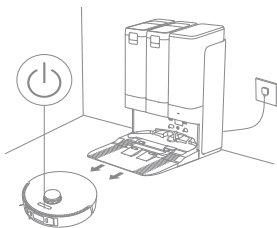
Mode d'utilisation

Aspiration et nettoyage

Remarque : Une fois l'unité de serpillière installée, le robot fonctionnera par défaut en mode « Aspiration et nettoyage » lors de sa première utilisation.

1. Commencer le nettoyage

Appuyez sur le bouton  du robot ou utilisez l'application pour faire démarrer le robot à partir de la station de base. Ensuite, le robot planifiera l'itinéraire de nettoyage optimal et effectuera la tâche de nettoyage en fonction de la carte créée.



Remarque :

- Pour s'assurer que le robot retourne facilement à la station de base après le nettoyage, il est recommandé de faire démarrer le robot à partir de la station de base.
- Les serpillières seront nettoyées avant que le robot ne commence à nettoyer, veuillez patienter.
- Ne déplacez pas la station de base, le réservoir d'eau propre, le réservoir d'eau sale pendant toute utilisation.
- Le nettoyage à l'eau chaude peut être activé dans l'application pour les tâches de nettoyage de la serpillière et de la base de la planche à laver, ce qui s'applique à tous les modes. Pour éviter les brûlures, ne touchez pas la sortie d'eau de la planche à laver lorsque la fonction est activée.

2. Lavage automatique des serpillières

Lors du nettoyage, le robot retournera automatiquement à la station de base pour laver les serpillières en fonction de la fréquence de nettoyage spécifiée des serpillières dans l'application. La station de base vide ou remplit automatiquement le réservoir d'eau du robot et le robot reprend le nettoyage.

3. Vider automatiquement le compartiment à poussière, puis laver et sécher les serpillières

Une fois que le robot a terminé une tâche de nettoyage et retourne à la station de base pour se recharger, la station de base commencera automatiquement à vider le compartiment à poussière, puis nettoiera et séchera les serpillières.

Remarque :

- Si la fonction de vidage automatique est désactivée dans l'application, la station de base ne videra pas automatiquement le compartiment à poussière.
- La station de base videra le compartiment à poussière en fonction du réglage défini dans l'application.

4. Nettoyer le réservoir d'eau sale

Une fois que le robot a terminé sa tâche, veuillez nettoyer le réservoir d'eau sale pour éviter toute odeur.

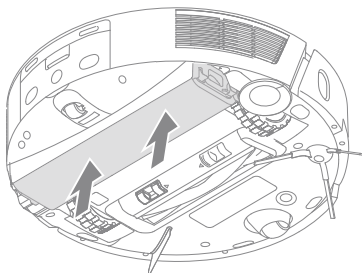
Mode d'utilisation

Nettoyage après l'aspiration

Activez la fonction de nettoyage après l'aspiration dans l'application, et le robot retirera automatiquement l'unité de serpillière sur la station de base pour aspirer le sol. Une fois l'aspiration terminée, le robot retourne à la station de base où le bac à poussière est automatiquement vidé. Ensuite, le robot commence à nettoyer en abaissant la serpillière et en soulevant la brosse principale et les brosses latérales.

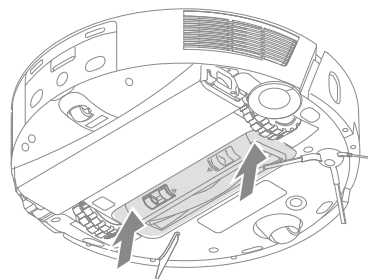
Aspiration uniquement

Activez la fonction d'aspiration dans l'application, et le robot retirera automatiquement l'unité de serpillière sur la station de base et commencera à aspirer.



Nettoyage uniquement

Activez la fonction de nettoyage dans l'application et le robot commencera automatiquement à nettoyer tout en abaissant le balai et en soulevant la brosse principale et les brosses latérales.



Entretien de routine

Pièces

Pour maintenir le robot en bon état, il est recommandé de se référer à l'utilisation des accessoires dans l'application ou au tableau suivant pour l'entretien de routine.

Pièce	Fréquence d'entretien	Période de remplacement
Réservoir d'eau sale	Après chaque utilisation	/
Réservoir d'eau propre	Une fois toutes les 2 semaines	
Brosse principale		Tous les 6 à 12 mois
Filtre du compartiment à poussière		Tous les 3 à 6 mois
Brosse latérale		
Défecteur de poussières		
Plaque de lavage	Une fois par mois	
Zone d'émission du signal de la station de base		
Contacts de charge de la station de base		
Événement de vidage automatique de la station de base		
Omnidirectionnelle		
Roue		
Capteur de bord		
Capteur de distance laser (LDS)		
Deux capteurs laser d'alignement 3D		

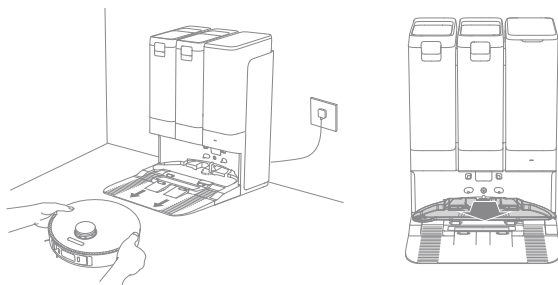
Pièce	Fréquence d'entretien	Période de remplacement
Vitre de pare-chocs	Une fois par mois	/
Capteur de tapis		
Capteurs de chute		
Éclairage auxiliaire LED		
Contacts de charge du robot		
Pare-chocs		
Événement de vidage automatique du robot		
Orifice de remplissage d'eau automatique du robot		
Dessous du robot		
Orifice de remplissage de la solution de nettoyage		
Compartiment à poussière	Nettoyez au besoin	
Réservoir d'eau sale du robot		
Rouleau plisseur		
Sac à poussière	/	Tous les 2 à 4 mois
Serpillère		Tous les 1 à 3 mois
Serpillère de bord		Tous les 1 à 3 mois
Anti-incrustant		Tous les 18 à 36 mois

Remarque : La fréquence de remplacement dépendra de votre utilisation du robot. Si une exception se produit en raison de circonstances particulières, les pièces doivent être remplacées.

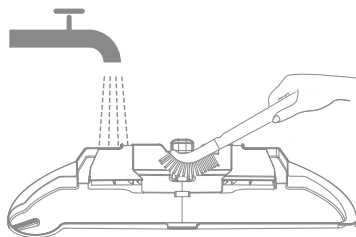
Entretien de routine

Plaque de lavage

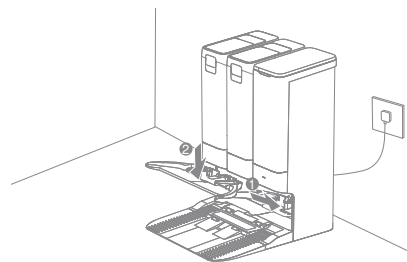
1. Sortez le robot et retirez la plaque de lavage après la fin du nettoyage de la lingette.




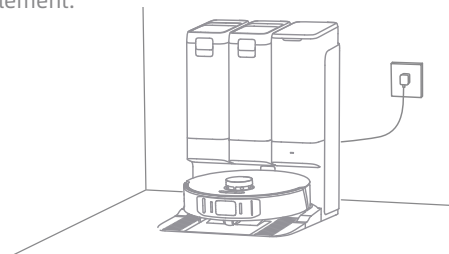
2. Rincez la plaque de lavage à l'eau claire puis essuyez-la.



3. Inclinez la plaque de lavage et replacez-la dans la station de base.



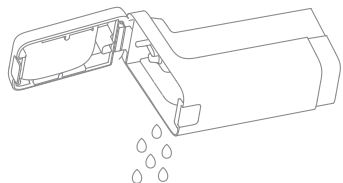
4. Utilisez l'application ou appuyez sur le bouton  pour ramener le robot à la station de base, ou replacez le robot manuellement.



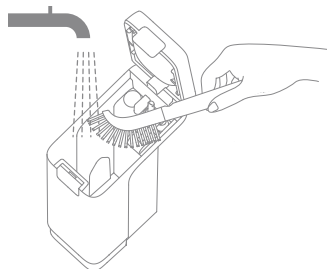
Entretien de routine

Réservoir d'eau sale

1. Retirez le réservoir d'eau sale, enlevez son couvercle et évacuez l'eau sale.



2. Rincez le réservoir d'eau sale à l'eau claire si nécessaire et utilisez l'outil de nettoyage fourni pour nettoyer la paroi intérieure du réservoir d'eau sale.



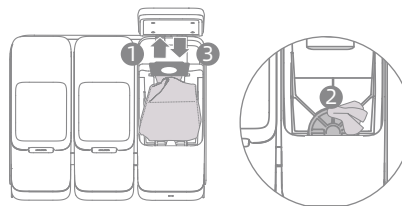
Remarque : La boule flottante dans le réservoir d'eau sale est une pièce mobile. N'appliquez pas une force excessive lorsque vous la nettoyez pour ne pas l'endommager.

Sac à poussière

1. Ouvrez le couvercle du réservoir à poussière et jetez le sac à poussière. Essuyez le filtre avec un chiffon sec.

Remarque : Tirez vers le haut sur la poignée pour verrouiller le sac et empêcher la poussière et les débris de tomber accidentellement.

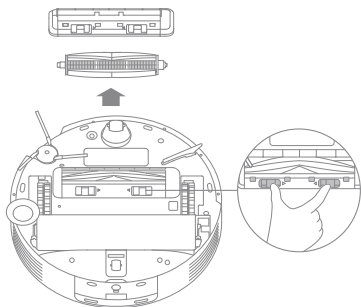
2. Installez un nouveau sac à poussière, et réinstallez le couvercle du réservoir à poussière.



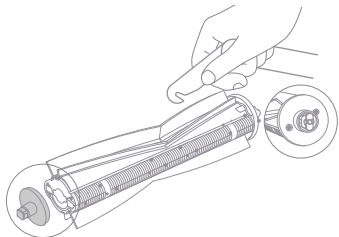
Entretien de routine

Brosse principale

1. Appuyez sur les clips de protection de brosse pour retirer la protection de brosse et soulevez les brosses pour les retirer du robot.



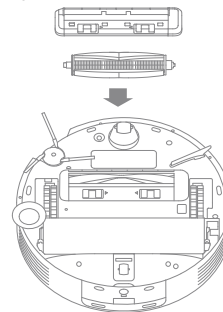
2. Retirez le couvercle de l'extrémité du roulement carré comme indiqué sur la figure, puis utilisez une brosse de nettoyage ou d'autres outils appropriés pour nettoyer les corps étrangers sur la brosse principale.



3. Retirez et nettoyez les réglettes à brosse comme illustré sur la figure. Utilisez un outil de nettoyage pour nettoyer le peigne.



4. Remettez en place les réglettes à brosse, le couvercle de brosse, puis la brosse. Poussez sur la protection de brosse pour la verrouiller en place.



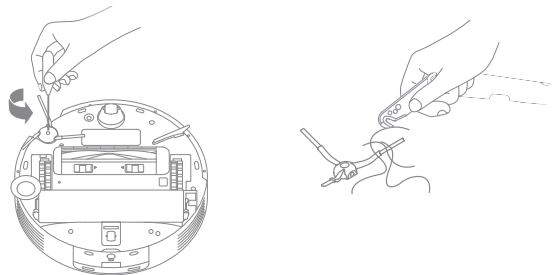
Remarque :

- Il est conseillé de retirer les bandes de brosse séparément pour le nettoyage à l'eau, mais ne lavez pas la brosse principale.
- Si la brosse principale est très emmêlée, vérifiez si le compartiment à poussière est plein et si les poils ne peuvent plus être aspirés. Dans ce cas, veuillez vider le compartiment à poussière.
- Les enfants et les animaux domestiques ne doivent pas s'approcher de la brosse principale pour éviter les blessures accidentelles.
- Soyez prudent lorsque vous retirez le couvercle de la brosse, que vous enlevez et que vous installez les bandes de brosse afin d'éviter toute blessure.

Entretien de routine

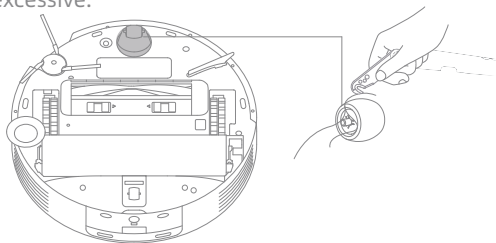
Brosse latérale

Dévissez la brosse latérale à l'aide d'un tournevis, retirez les poils de la brosse, puis revissez-la.



Roue omnidirectionnelle

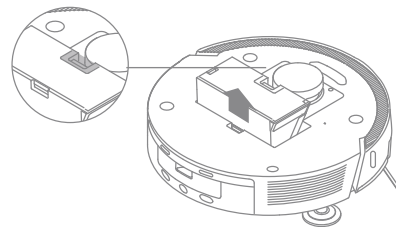
Utilisez un outil tel qu'un petit tournevis pour séparer l'essieu et le pneu de la roue omnidirectionnelle. N'utilisez pas une force excessive.



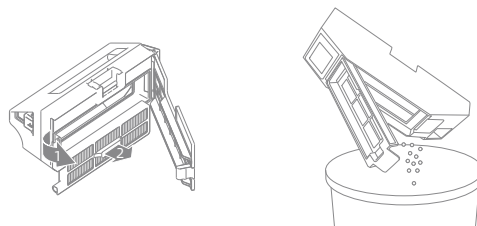
Remarque : Rincez la roue omnidirectionnelle sous l'eau courante et remettez-la après l'avoir complètement séchée.

Compartiment à poussière

1. Ouvrez le couvercle du robot et appuyez sur la fixation de compartiment à poussière pour retirer celui-ci.



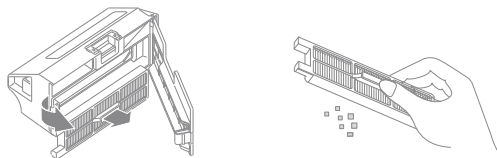
2. Ouvrez le couvercle du bac à poussière et déversez les déchets.



Entretien de routine

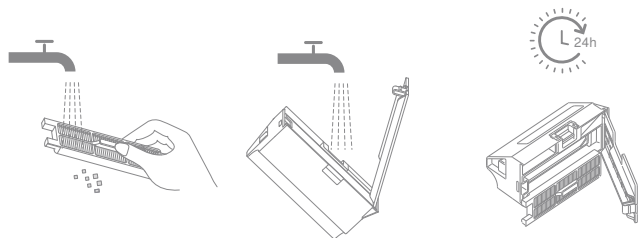
Filtre

1. Retirez le filtre du bac à poussière, puis tapotez doucement le panier du filtre pour enlever la saleté.



Remarque : N'essayez pas de nettoyer le filtre avec une brosse, les doigts ou des objets pointus pour éviter de l'endommager.

2. Rincez le compartiment à poussière et le filtre à l'eau et séchez-les complètement avant de les réinstaller.

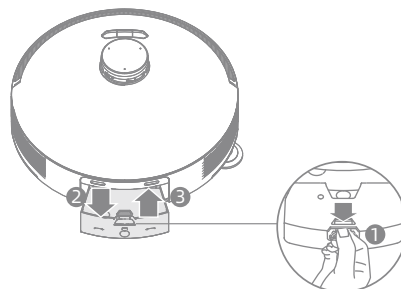


Remarque :

- Rincez le compartiment à poussière et le filtre uniquement à l'eau claire. N'utilisez aucun détergent.
- Utilisez le compartiment à poussière et le filtre uniquement lorsqu'ils sont complètement secs.

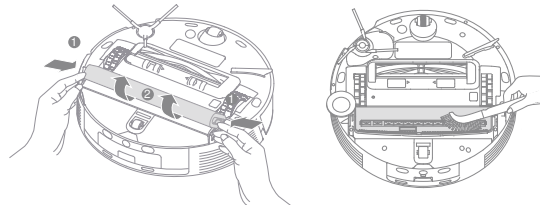
Réservoir d'eau sale du robot

Appuyez sur les boutons d'ouverture de la boîte à eau usagée et maintenez-les enfoncés pour la retirer. Videz l'eau sale. Rincez la boîte à eau usagée avec de l'eau propre, essuyez-la ou séchez-la, puis réinstallez-la dans le robot.



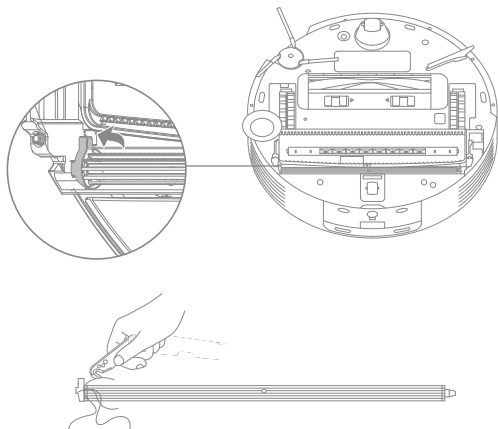
Fente de l'assemblage du balai et rouleau de rembourrage

1. Retirez l'unité de lingette en bas du robot. Nettoyez la fente de l'ensemble du balai et l'évent du filtre pour éviter qu'ils ne s'obstruent.



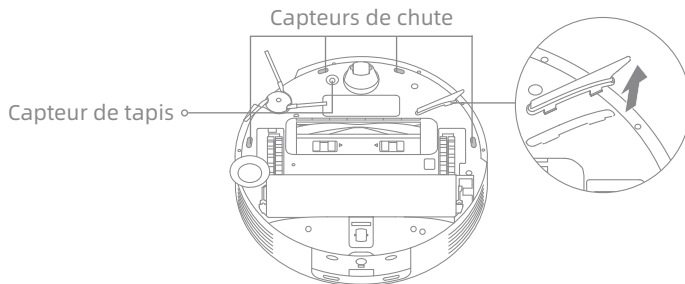
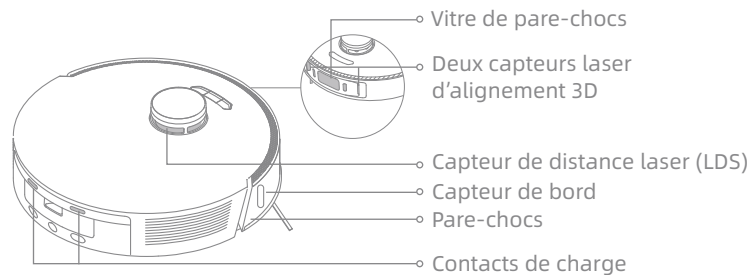
Entretien de routine

2. Tirez doucement sur la poignée de déverrouillage pour retirer le rouleau à peluches, comme indiqué ci-dessous. Nettoyez le rouleau de peluchage et réinstallez-le dans le robot.

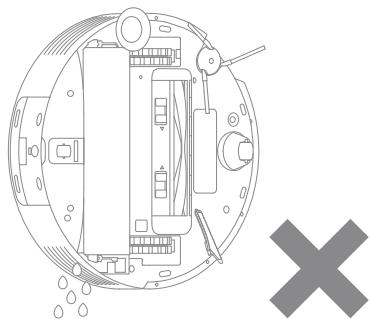


Capteurs de robot et contacts de charge

Essayez les capteurs du robot et les contacts de charge à l'aide d'un chiffon doux et sec, comme indiqué dans la figure ci-dessous :



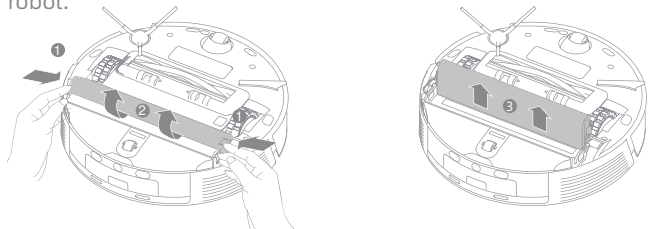
Entretien de routine



Remarque : Un chiffon humide peut endommager les éléments sensibles dans le robot et la station de base. Veuillez utiliser un chiffon sec pour le nettoyage.

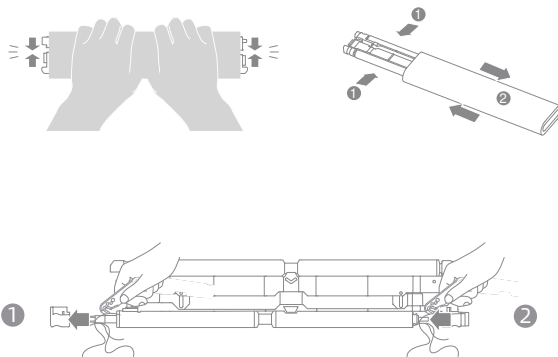
Retirez l'ensemble du balai

1. Appuyez sur les boutons de déverrouillage situés aux deux extrémités de l'ensemble du balai.
2. Soulevez des deux mains le côté de la serpillière proche de l'arrière du robot, puis retirez l'ensemble de la serpillière du robot.



Remplacez le balai

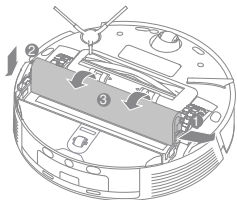
1. Saisissez la serpillière à deux mains pour appuyer fermement sur le support de la serpillière et rétracter le support.
2. Lors du démontage du balai, tenez fermement le balai et le support et séparez-les lentement.
3. Installez une nouvelle serpillière sur le support, appuyez sur les boutons de déverrouillage situés aux deux extrémités du support pour déployer ce dernier, et assurez-vous que la serpillière est correctement installée.



Entretien de routine

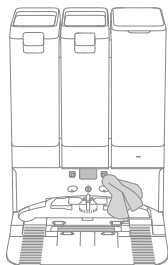
Installez l'ensemble du balai

1. Placez l'ensemble de balai à la verticale et alignez les extrémités de l'ensemble de vadrouille sur les fentes du robot.
2. Appuyez sur l'ensemble du balai jusqu'à ce que les deux côtés s'enclenchent.



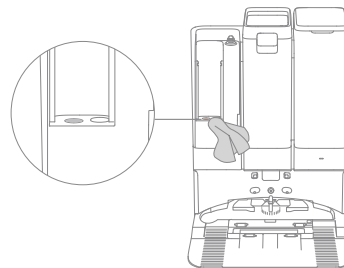
Contacts de charge

Nettoyez les contacts de charge, la zone de signalisation et les orifices de vidange automatique du robot à l'aide d'un chiffon doux et sec.



Orifice de remplissage de la solution de nettoyage

S'il y a de la saleté autour de l'orifice de remplissage de la solution de nettoyage, essuyez-le avec un chiffon doux et sec.



Batterie

Le robot contient une batterie lithium-ion haute performance. Assurez-vous que la batterie reste bien chargée pour une utilisation quotidienne afin de maintenir les performances optimales de la batterie. Si le robot n'est pas utilisé pendant une longue période, éteignez-le et rangez-le. Pour éviter tout risque de dommages lié à une décharge excessive, rechargez le robot au moins une fois tous les trois mois.

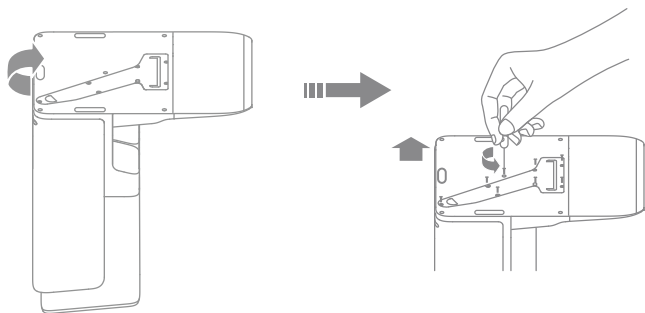
Entretien de routine

Nettoyez le conduit d'air

Si le conduit d'air est obstrué, suivez les étapes ci-dessous pour le nettoyer.

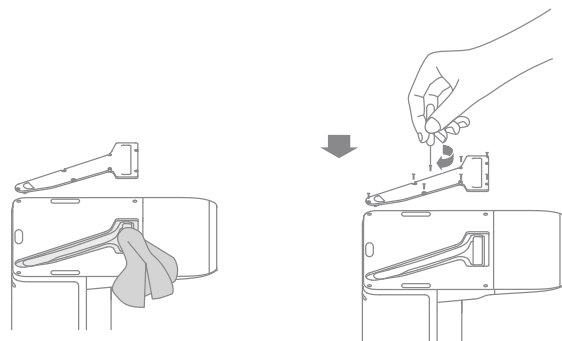
1. Retournez la station de base avec précaution et dévissez les vis à l'aide d'un outil approprié pour retirer le couvercle du conduit d'air.

Remarque : Avant l'entretien, retirez le réservoir d'eau et essuyez l'eau de la base de la planche à laver et de la sortie d'eau afin d'éviter toute fuite d'eau.



2. Vérifiez si des objets étrangers obstruent le conduit d'air et nettoyez-le.



3. Réinstallez le couvercle du conduit d'air comme indiqué sur la figure.




Dépannage

Problème	Solution
Le robot ne s'allume pas.	<ul style="list-style-type: none"> · La batterie est faible. Rechargez la batterie sur la base et réessayez. · La température de la batterie est trop basse ou trop élevée. Il est recommandé de faire fonctionner l'appareil à une température comprise entre 0 °C (32°F) et 40 °C (104°F).
Le robot ne se recharge pas.	<ul style="list-style-type: none"> · La station de base n'est pas connectée à l'alimentation, veuillez vous assurer que les deux extrémités de son cordon d'alimentation sont correctement branchées. · Le contact entre les contacts de charge sur la station de base et le robot est défaillant, veuillez nettoyer les contacts de charge. · Vérifiez la présence d'objet étranger au niveau des connecteurs du robot et retirez-le cas échéant.
Le robot ne se connecte pas au réseau Wi-Fi.	<ul style="list-style-type: none"> · Le mot de passe du réseau Wi-Fi n'est pas correct. Assurez-vous que le mot de passe utilisé pour vous connecter à votre réseau Wi-Fi est correct. · Le robot ne prend pas en charge la connexion Wi-Fi 5 GHz. Assurez-vous que le robot est relié à une connexion Wi-Fi 2,4 GHz. · Le signal Wi-Fi est faible. Assurez-vous que le robot se trouve dans une zone avec une bonne couverture Wi-Fi. · Le robot peut ne pas être prêt à être configuré. Veuillez quitter et rouvrir l'application, puis essayez à nouveau comme indiqué.
Le robot ne peut pas trouver la station de base et y retourner.	<ul style="list-style-type: none"> · La station de base est déconnectée de l'alimentation ou déplacée lorsque le robot n'est pas dessus. Veuillez connecter la station de base à l'alimentation électrique ou placer le robot sur la station de base pour le charger. · Il y a trop d'obstacles autour de la station de base. Placez la station de base dans une zone plus dégagée. · Tout déplacement du robot peut entraîner son repositionnement, il recréera alors une carte s'il n'est pas correctement repositionné. Si le robot est trop éloigné de la station de base, il peut ne pas revenir automatiquement à la station de lui-même, auquel cas vous devrez manuellement placer le robot sur la station de base. · Essuyez la zone d'émission du signal sur la station de base pour éliminer la poussière ou les débris.
Le robot reste bloqué devant la station de base et ne peut pas retourner vers elle.	<ul style="list-style-type: none"> · Assurez-vous qu'il y ait assez d'espace de chaque côté et à l'avant de la station de base pour que le robot ne soit pas bloqué. · L'itinéraire pour revenir se recharger est bloqué, par ex. la porte est fermée. · Le robot peut glisser si le sol devant la station de base est trop humide. Dans ce cas, nettoyez l'excès d'eau avant de réessayer. · Il est recommandé de déplacer la station de base dans un autre endroit et réessayez. · Assurez-vous que la plaque d'extension de rampe est correctement installée.

Dépannage

Problème	Solution
Le robot ne s'éteint pas.	<ul style="list-style-type: none"> · Le robot ne peut pas être désactivé lorsqu'il se recharge. Il est recommandé de déplacer le robot de la station de base, puis de maintenir le bouton  enfoncé pendant 3 secondes pour l'éteindre. · Si le robot ne peut pas être éteint en effectuant l'étape 1, maintenez le bouton  enfoncé pendant 10 secondes pour éteindre le robot de force. Si le problème persiste, contactez le service après-vente.
L'ensemble de serpillière ne se soulève pas normalement.	<ul style="list-style-type: none"> · Veuillez retirer l'ensemble de serpillière pour vérifier la présence d'objet étranger coincé à l'intérieur, et essayer de redémarrer le robot. Si le problème persiste, contactez l'équipe de service après-vente.
De l'eau est présente sous le réservoir d'eau propre ou autour du joint d'étanchéité.	<ul style="list-style-type: none"> · Lorsque vous retirez le réservoir d'eau propre, de l'eau contenue dans le tuyau peut être présente sous le réservoir ou autour du joint d'étanchéité. Cela est normal. Veuillez essuyer à l'aide d'un chiffon sec.
La vitesse de charge est lente.	<ul style="list-style-type: none"> · La charge complète du robot, lorsque le niveau de la batterie est bas, dure environ 4,5 heures. · Si vous utilisez le robot à des températures en dehors de la plage indiquée, la vitesse de charge ralentira automatiquement pour prolonger l'autonomie de la batterie. · Les contacts de charge sur le robot et la station de base peuvent être sales, veuillez les essuyer avec un chiffon sec.
Le bruit augmente lors du fonctionnement du robot.	<ul style="list-style-type: none"> · Vérifiez si le compartiment à poussière est bouché. Si c'est le cas, nettoyez-le ou remplacez-le. · Un objet est peut-être coincé dans les brosses principales ou le compartiment à poussière. Vérifiez et retirez l'objet. · Les brosses principales ou la brosse latérale sont peut-être bloquées. Vérifiez et retirez tous les objets étrangers. · Passez le mode d'aspiration sur Standard ou Silencieux.
Le robot se déplace sans suivre l'itinéraire défini.	<ul style="list-style-type: none"> · Les objets tels que cordons d'alimentation et pantoufles doivent être rangés avant d'utiliser le robot. · Les surfaces mouillées et glissantes peuvent faire patiner la roue principale. Il est recommandé de sécher les endroits humides avant d'utiliser le robot. · Essayez la vitre de pare-chocs et les capteurs laser d'alignement 3D sur le robot avec un chiffon propre et doux pour les maintenir propres et dégagés.

Dépannage

Problème	Solution
Le robot n'a pas trouvé les pièces à nettoyer.	<ul style="list-style-type: none"> · Assurez-vous que la porte de chaque pièce à nettoyer est ouverte. · Vérifiez la présence de seuil d'une hauteur supérieure à 2 cm environ à l'entrée de la pièce. Le robot ne peut pas franchir des marches ou des seuils hauts. · La zone devant la pièce à nettoyer est peut-être glissante et mouillée, et le robot glisse et ne fonctionne pas normalement. Séchez le sol avant d'utiliser le robot.
Le robot ne reprend pas le nettoyage après la recharge.	<ul style="list-style-type: none"> · Assurez-vous que le robot n'est pas programmé sur le mode Ne pas déranger (DND), ce qui peut l'empêcher de reprendre le nettoyage. · Le robot ne reprendra pas le nettoyage après l'avoir placé manuellement sur la station de base ou l'avoir envoyé se recharger via l'application ou le bouton .
La station ne vide pas automatiquement le compartiment à poussière.	<ul style="list-style-type: none"> · Vérifiez si le sac à poussière dans le compartiment à poussière est plein. · Si le sac à poussière n'est pas plein, vérifiez si les événements de vidage automatique du robot, de la station de base ou du compartiment à poussière ne sont pas obstrués. Si c'est le cas, dégagez la pièce bloquée.
Le niveau d'eau dans la base de la planche à laver est anormal.	<ul style="list-style-type: none"> · Vérifiez si la sortie d'évacuation des eaux usées est obstruée et nettoyez-la. · Enfoncez légèrement le réservoir d'eau sale pour vous assurer qu'il est correctement installé. · Vérifiez si le joint sur le réservoir d'eau sale est desserré ou mal installé, et fixez-le à nouveau manuellement le cas échéant. Si le problème persiste, contactez l'équipe de service après-vente. · Vérifiez la solution de nettoyage. N'ajoutez pas de liquide autre que la solution de nettoyage approuvée.

Pour toute aide supplémentaire, contactez-nous via- <https://www.mova.tech>

Caractéristiques techniques

Robot

Modèle	RLZ92CE
Temps de charge	Environ 4,5 h
Tension nominale	14,4 V ---
Puissance nominale	75 W
Fréquence de fonctionnement	2400-2483,5 MHz
Puissance de sortie maximale	< 20 dBm

Station de base/station de recharge

Consommation électrique en mode arrêt : $\leq 0,3$ W

Consommation électrique en mode veille : $\leq 0,5$ W (dans les 15 minutes une fois que le robot a quitté la station de base/station de recharge)

Robot et station de base/station de recharge

L'équipement ne dispose pas d'un mode veille ou d'autres états équivalents en termes d'exigences de veille, de fonction de gestion de l'alimentation ou de capacité à désactiver les connexions au réseau sans fil en raison des besoins d'entretien de la batterie. La consommation d'énergie de l'équipement est susceptible d'être plus élevée que celle d'autres modèles d'équipement répondant à ces exigences fonctionnelles.

Station de base

Modèle	RCZE0301
Entrée nominale	220-240 V ~ 50-60 Hz
Sortie nominale	19.4 V --- 3 A
Puissance nominale (pendant le vidage de la poussière)	700 W
Puissance nominale (pendant le nettoyage à l'eau chaude)	1160 W
Puissance nominale (pendant la charge et le séchage)	95 W

Dans des conditions normales d'utilisation, cet équipement doit être maintenu à une distance de séparation d'au moins 20 cm entre l'antenne et le corps de l'utilisateur.

Remarque :

- La puissance nominale (pendant le nettoyage à l'eau chaude) est déterminée par la valeur de puissance pendant la période représentative (température de l'eau à 25 °C).
- La puissance nominale (pendant la charge et le séchage) est déterminée par la valeur de puissance pendant la période de pleine charge.

Retrait et élimination de la batterie

La batterie lithium-ion intégrée contient des substances dangereuses pour l'environnement. Avant d'éliminer la batterie, assurez-vous qu'elle est enlevée par un technicien qualifié et déposée dans un centre de recyclage approprié.

- la batterie doit être retirée de l'appareil avant d'être mise au rebut ;
- l'appareil doit être débranché de la source d'alimentation lors du retrait de la batterie ;
- la batterie doit être mise au rebut en toute sécurité.

ATTENTION :

Avant d'enlever la batterie, débranchez l'appareil et déchargez au maximum la batterie.

Les batteries non utilisées doivent être mises au rebut dans un centre de recyclage approprié.

N'exposez pas la batterie dans un environnement à haute température pour éviter les risques d'explosion.

En cas d'usage abusif, du liquide peut s'échapper de la batterie. En cas de contact, rincez à l'eau et consultez un médecin.

Guide pour le retrait :

1. Retournez le robot, utilisez l'outil adapté pour retirer les vis à l'arrière du robot, puis enlevez le couvercle.
2. Débranchez les bornes entre la batterie et la carte de circuit imprimé pour retirer la batterie.

Informations concernant les DEEE



Tous les produits portant ce symbole sont des déchets d'équipements électriques et électroniques (DEEE d'après la directive 2012/19/UE) qui ne doivent pas être mélangés avec les ordures ménagères non triées. Vous devez protéger la santé humaine et l'environnement en déposant votre équipement usagé dans un point de collecte prévu à cet effet pour le recyclage des déchets d'équipements électriques et électroniques, désigné par le gouvernement et les autorités locales. Des procédures d'élimination et de recyclage adéquates permettent d'éviter les effets nocifs sur l'environnement et la santé humaine. Veuillez contacter l'installateur ou les autorités locales pour plus d'informations sur le site, ainsi que les modalités et conditions des points de collecte de ce type.

Informazioni sulla sicurezza

Per evitare scosse elettriche, incendi o lesioni causate da un uso improprio dell'apparecchio, leggere attentamente il manuale d'uso prima di utilizzare l'apparecchio e conservarlo per riferimenti futuri.

Restrizioni di utilizzo

- Questo prodotto non deve essere utilizzato da bambini di età inferiore a 8 anni o da persone con deficit fisici, sensoriali, intellettuali o con esperienza o conoscenze limitate senza la supervisione di un genitore o di un tutore per garantire un funzionamento sicuro ed evitare qualsiasi rischio. La pulizia e la manutenzione non devono essere eseguite da bambini senza supervisione.
- L'apparecchio deve essere utilizzato solo con l'alimentatore fornito in dotazione.
- Questo apparecchio contiene batterie che possono essere sostituite solo da personale specializzato.
- Liberare l'area da pulire. I bambini non devono giocare con l'apparecchio. Assicurarsi che bambini e animali domestici siano tenuti a distanza di sicurezza dal robot durante il suo funzionamento.
- Non installare, caricare o utilizzare l'apparecchio nei bagni o intorno alle piscine.
- Questo prodotto è destinato esclusivamente alla pulizia dei pavimenti in ambiente domestico. Non utilizzare all'aperto, su superfici non pavimentate o in ambienti commerciali o industriali.
- Assicurarsi che l'apparecchio funzioni correttamente in un ambiente adeguato. In caso contrario, non utilizzare l'apparecchio.
- Se il cavo di alimentazione è danneggiato, deve essere sostituito con un cavo o un gruppo speciale disponibile presso il produttore o il suo agente di assistenza.

Informazioni sulla sicurezza

Restrizioni di utilizzo

- Non utilizzare il robot in un'area sospesa sopra il livello del suolo senza una barriera protettiva.
- Non posizionare il robot a testa in giù. Non utilizzare il coperchio dell'LDS, il coperchio del robot o il paraurti come impugnatura del robot.
- Utilizzare il robot in ambienti con temperatura ambiente superiore a 0 °C e inferiore a 40 °C. Assicurarsi che non ci siano liquidi o sostanze appiccicose sul pavimento.
- Per evitare danni o danni da trascinamento, prima di mettere in funzione l'apparecchio, rimuovere tutti gli oggetti lasciati sul pavimento e i cavi o i fili di alimentazione che si trovano sul percorso di pulizia.
- Rimuovere gli oggetti fragili o piccoli dal pavimento per evitare che il robot li urti e li danneggi.
- Tenere capelli, dita e altre parti del corpo lontano dall'apertura di aspirazione del robot.
- Tenere lo strumento di pulizia fuori dalla portata dei bambini.
- Non mettere in funzione l'apparecchio in una stanza in cui dorme un neonato o un bambino.
- Non collocare bambini, animali domestici o altri oggetti sopra il robot, indipendentemente dal fatto che sia fermo o in movimento.
- Nel serbatoio dell'acqua pulita è possibile aggiungere solo acqua pulita e la soluzione detergente ufficialmente approvata. Non aggiungere altri liquidi come alcol o disinfettanti. Il rapporto tra la soluzione detergente e l'acqua pulita può essere controllato sul flacone della soluzione detergente. Tenere la soluzione detergente fuori dalla portata dei bambini.

Informazioni sulla sicurezza

Restrizioni di utilizzo

- Non utilizzare il robot per pulire oggetti molto caldi. Non utilizzare il robot per raccogliere liquidi infiammabili o combustibili, gas corrosivi, acidi o solventi non diluiti.
- Non aspirare oggetti duri o taglienti. Non utilizzare l'apparecchio per raccogliere oggetti come sassi, grandi pezzi di carta o qualsiasi altro oggetto che possa intasare l'apparecchio.
- La spina deve essere rimossa dalla presa di corrente prima di procedere alla pulizia o alla manutenzione dell'apparecchio.
- Non pulire il robot o la stazione base con un panno bagnato e non sciacquarli con alcun liquido. Dopo aver pulito le parti lavabili, asciugarle completamente prima di reinstallarle e utilizzarle.
- Utilizzare questo prodotto in conformità alle istruzioni contenute nel manuale d'uso. Gli utenti sono responsabili di eventuali perdite o danni derivanti dall'uso improprio di questo prodotto.

Batterie e ricarica

- Non utilizzare batterie o stazioni base di parte terza. Il robot può essere utilizzato solo con la stazione base modello RCZE0301.
- Non tentare di smontare, riparare o modificare da soli la batteria o la stazione base.
- Non collocare la stazione base vicino a una fonte di calore.
- Non utilizzare un panno o le mani bagnate per pulire i contatti di ricarica della stazione base.

Informazioni sulla sicurezza

Batterie e ricarica

- Non smaltire impropriamente le vecchie batterie. Le batterie non necessarie devono essere smaltite presso un impianto di riciclo appropriato.
- Se il cavo di alimentazione è danneggiato o rotto, interrompere immediatamente l'uso e contattare il servizio di assistenza.
- Assicurarsi che il robot sia spento durante il trasporto e, se possibile, conservato nell'imballaggio originale.
- Se il robot non viene utilizzato per un tempo prolungato, caricarlo completamente, quindi spegnerlo e conservarlo in un luogo fresco e asciutto. Ricaricare il robot almeno una volta ogni 3 mesi per evitare di scaricare eccessivamente la batteria.

Informazioni sulla sicurezza del laser

- Il sensore laser di questo prodotto è conforme alla norma IEC 60825-1:2014/EN 60825-1:2014/A11:2021 per i prodotti laser di Classe 1. Evitare il contatto diretto con gli occhi durante l'uso.

PRODOTTO LASER DI CLASSE 1
PRODOTTO LASER DI CONSUMO
EN 50689:2021



Solo per uso interno



Leggere il manuale d'uso

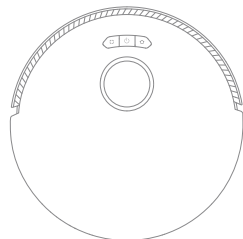
Con la presente, XingKuang Innovation Technology (Suzhou) Co., Ltd. dichiara che l'apparecchiatura radio tipo RLZ92CE è conforme alla direttiva 2014/53/UE.

Il testo completo della dichiarazione di conformità dell'UE è disponibile al seguente indirizzo internet: <https://www.mova.tech>

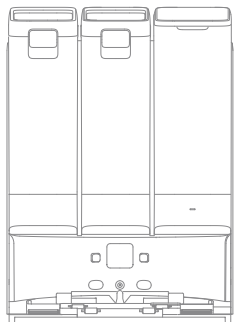
Per un manuale elettronico dettagliato, visitare il sito <https://www.mova.tech/pages/user-manuals-and-faqs>

Introduzione al Prodotto

Contenuto della confezione



Robot

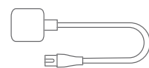


Stazione base

Altri accessori



Spazzola laterale
(preinstallata)



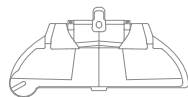
Cavo di
alimentazione



Gruppo mocio
(preinstallata)



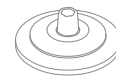
Piastra di estensione
della rampa della
stazione base
(installare prima dell'uso)



Piastra di lavaggio
(preinstallata)



Spazzola
principale
(preinstallata)



Tampone del
mocio per i bordi



Sacchetto per
la polvere
(preinstallata)



Soluzione
detergente



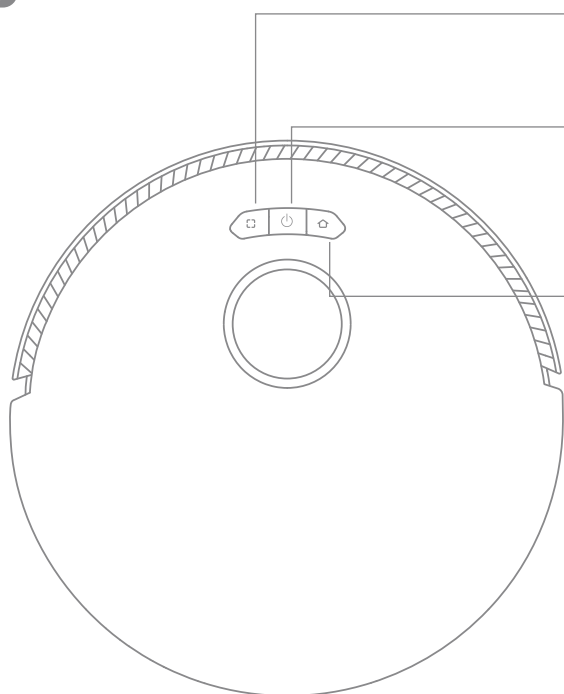
Utensile di pulizia
(riporlo nella stazione base)



Manuale d'uso

Introduzione al Prodotto

Robot



◻ Pulsante per la pulizia localizzata

- Premere per avviare la pulizia localizzata

⏻ Pulsante di accensione / pulizia

- Tenere premuto per 3 secondi per accendere o spegnere il dispositivo
- Premere per avviare la pulizia dopo l'accensione del robot

🏠 Pulsante Stazione

- Premere per rimandare il robot alla stazione base
- Tenere premuto per 3 secondi per disattivare il blocco bambini

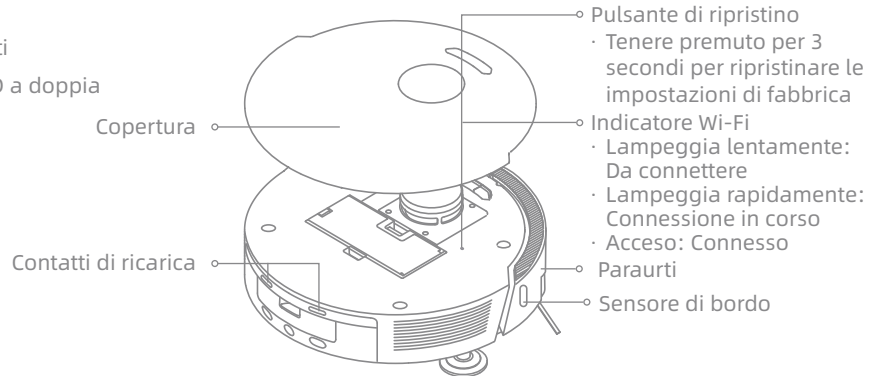
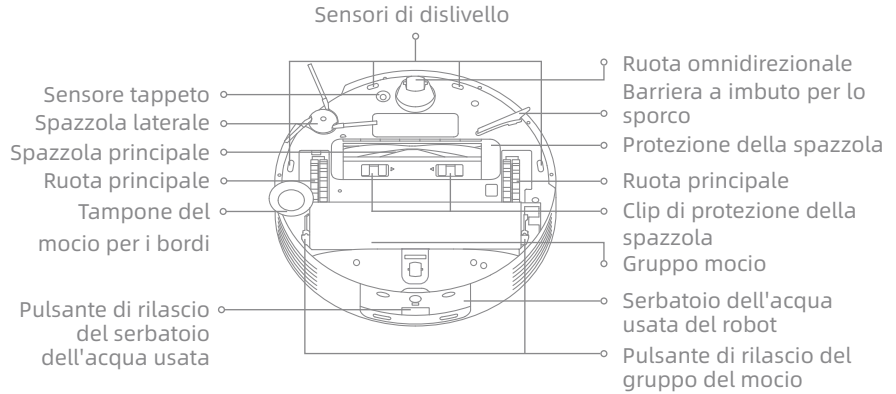
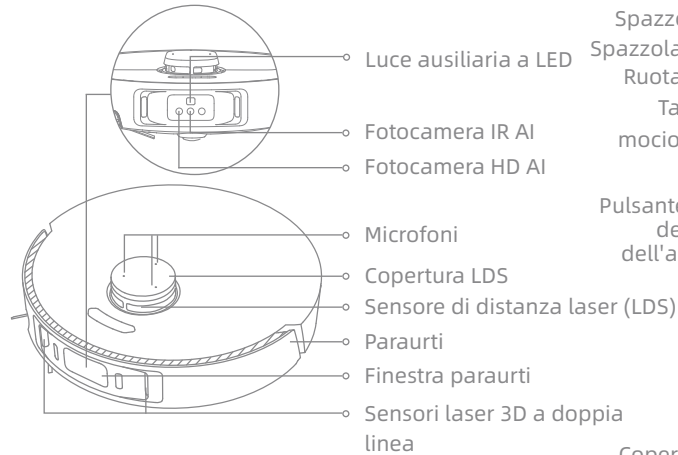
Indicatore di stato

- Bianco fisso: Pulizia o ripulitura completata
- Arancione lampeggiante: Errore
- Arancione fisso: Standby a batteria scarica o in pausa a batteria scarica

- **Nota:** Premere un pulsante qualsiasi del robot per mettere in pausa il robot durante la pulizia o la ricarica.
- Il blocco bambini può essere attivato/disattivato tramite l'App MOVAhome.

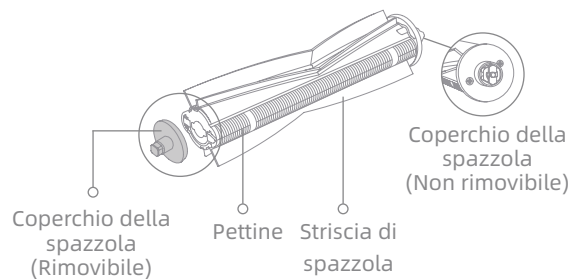
Introduzione al Prodotto

Robot e sensori

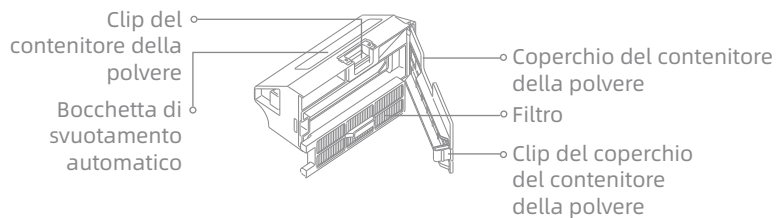


Introduzione al Prodotto

Spazzola principale



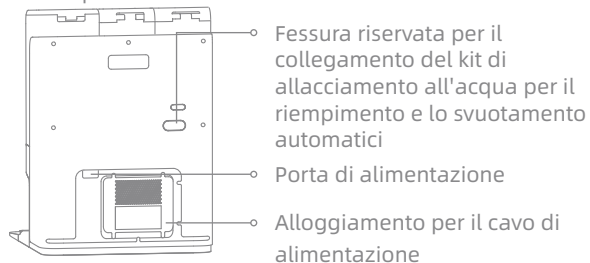
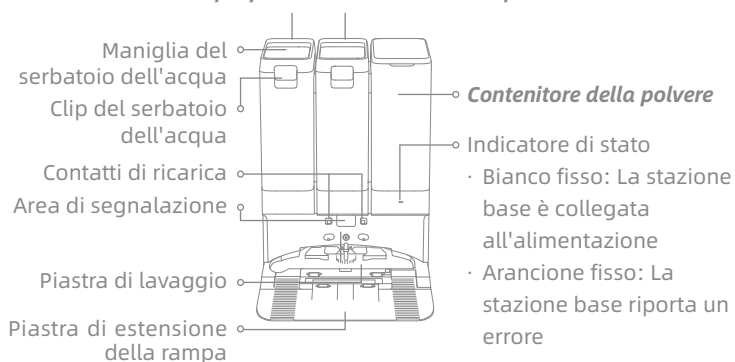
Contenitore della polvere



Introduzione al Prodotto

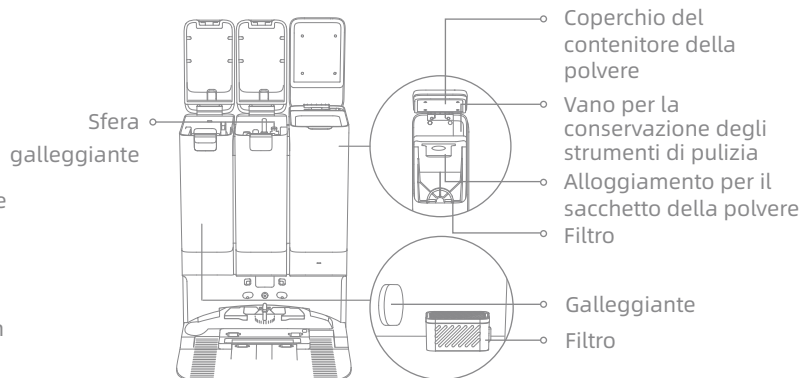
Stazione base (esterno)

Serbatoio dell'acqua pulita Serbatoio dell'acqua usata

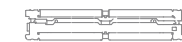


Nota: Il kit di allacciamento all'acqua per il riempimento e lo svuotamento automatico deve essere acquistato separatamente. (Disponibile solo in alcune regioni)

Informazioni sulla stazione base (interno)



Gruppo mocio

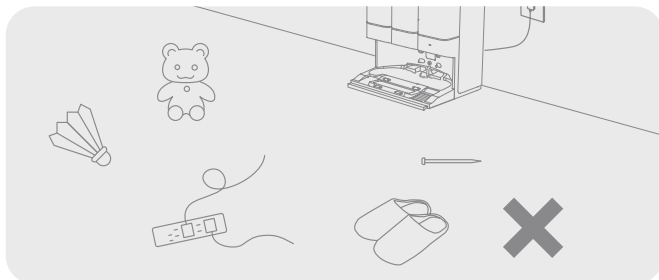


Supporto per il tampone del mocio

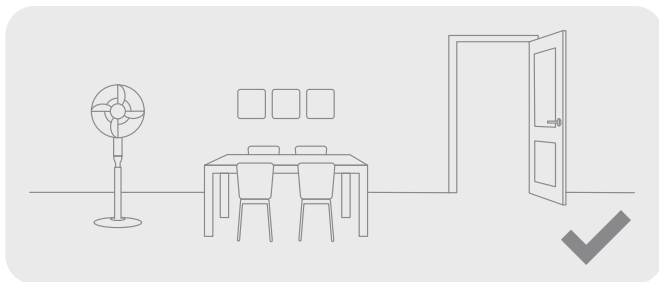


Tampone del mocio

Preparare la casa



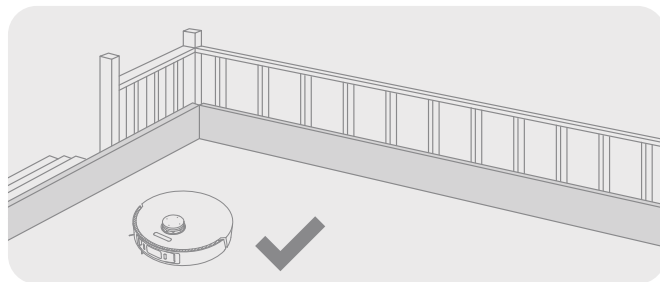
Prima di procedere alla pulizia, allontanare gli oggetti instabili, fragili, di valore o pericolosi e togliere i cavi, i panni, i giocattoli, gli oggetti duri e gli oggetti appuntiti che si trovano a terra, per evitare che il robot possa impigliarsi, graffiarsi o rovesciarsi e causare danni.



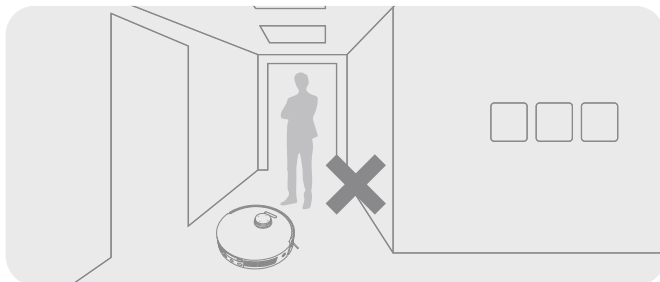
Aprire la porta della stanza da pulire e sistemare i mobili al loro posto per lasciare più spazio.

Nota:

- Quando si utilizza il robot per la prima volta, seguirlo durante la pulizia per eliminare in tempo eventuali ostacoli.
- Le luci a LED ausiliarie forniranno un'illuminazione ausiliaria negli ambienti scarsamente illuminati.
- Non aspirare oggetti duri come pietre, sfere d'acciaio e parti di giocattoli, né oggetti appuntiti come rifiuti edili, vetri rotti e chiodi, per evitare di graffiare il pavimento.



Prima della pulizia, posizionare una barriera fisica sul bordo delle scale per garantire il funzionamento sicuro e senza intoppi del robot.



Per evitare che il robot non riconosca le aree da pulire, non sostare davanti al robot, alle soglie, ai corridoi o ai luoghi angusti.

Prima dell'uso

1. Posizionare la stazione base e collegarla a una presa elettrica

- ① Rimuovere le protezioni all'interno della stazione base.
- ② Collocare la stazione base in una posizione il più possibile aperta e con un buon segnale Wi-Fi. Lasciare uno spazio sufficiente come mostrato nella figura e rimuovere gli oggetti nell'area ombreggiata. Inserire il cavo di alimentazione nella stazione base e collegarlo alla presa.

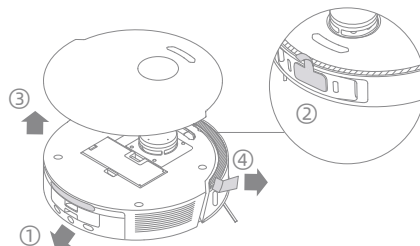


Nota:

- Assicurarsi che nessun oggetto possa bloccare l'area di segnalazione.
- Per evitare che le macchie d'acqua bagnino i pavimenti in legno o i tappeti, si consiglia di posizionare la stazione base su pavimenti in piastrelle o in marmo.

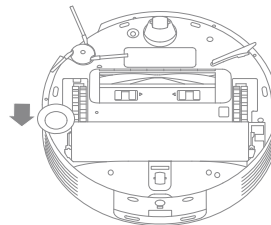
2. Rimuovere le protezioni del robot

Rimuovere le protezioni del robot come mostrato in figura.



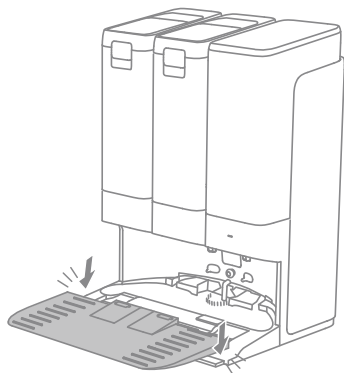
3. Installare il nuovo tampone del mocio per i bordi

Installare il tampone del mocio per i bordi sul retro del robot.




Prima dell'uso

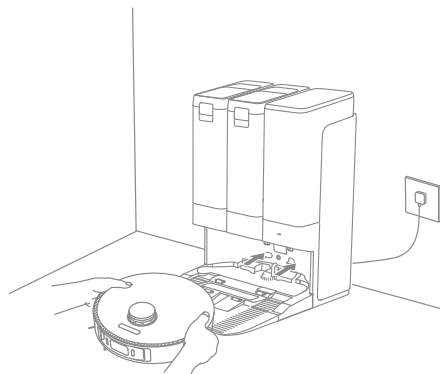
4. Installare la piastra di estensione della rampa



Nota: Installare la piastra di estensione della rampa finché non scatta in posizione.

5. Collegare il robot alla stazione base

Tenere premuto il pulsante  sul robot per 3 secondi per accenderlo. Posizionare il robot sulla stazione base con il gruppo del mocio rivolto verso la piastra di lavaggio. Quando il robot si connette con successo alla stazione base, viene emessa una notifica vocale.

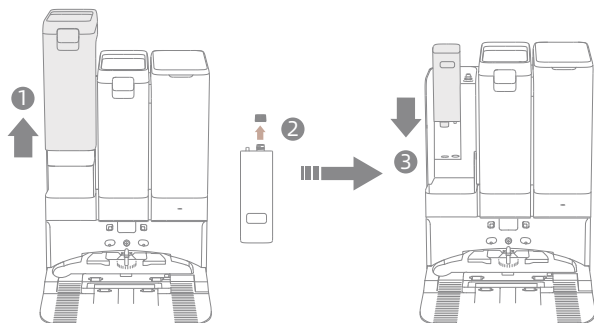


Nota: Si raccomanda di caricare completamente il robot prima del primo utilizzo. Se non è possibile accendere il robot dopo l'esaurimento della batteria, collegare manualmente il robot alla stazione per caricarlo.

Prima dell'uso

6. Installare la soluzione detergente

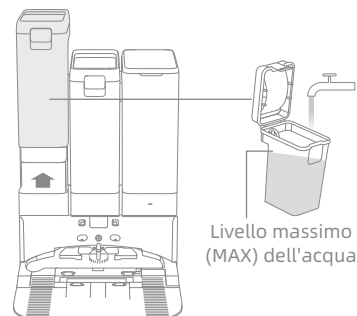
Estrarre il serbatoio dell'acqua pulita dalla stazione base, svitare il tappo della soluzione detergente e inserire la soluzione nel vano della stazione base. La soluzione detergente verrà aggiunta automaticamente durante il funzionamento.



Nota: Per evitare malfunzionamenti, non aggiungere altri liquidi oltre alla soluzione detergente ufficialmente approvata.

7. Aggiungere acqua al serbatoio dell'acqua pulita

Estrarre il serbatoio dell'acqua pulita dalla stazione base e riempirlo con acqua pulita fino alla linea del massimo (MAX). Quindi reinserirlo nella stazione base.



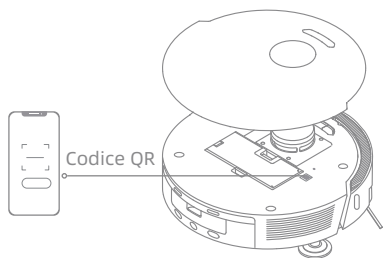
Nota:

- Non aggiungere acqua calda nel serbatoio dell'acqua per evitare che il serbatoio si deformi.
- Impedire a persone e animali domestici di bere l'acqua contenuta nel serbatoio dell'acqua e nella base di lavaggio.

Collegamento con l'App MOVAhome

1. Scaricare l'App MOVAhome

Rimuovere il coperchio del robot e scansionare il codice QR sul robot, oppure cercare "MOVAhome" nell'App Store per scaricare e installare l'app.



Nota:

- È supportato solo il Wi-Fi a 2,4 GHz.
- A causa degli aggiornamenti del software dell'app, le operazioni effettive potrebbero differire dalle indicazioni contenute nel presente manuale. Seguire le istruzioni in base alla versione attuale dell'app.

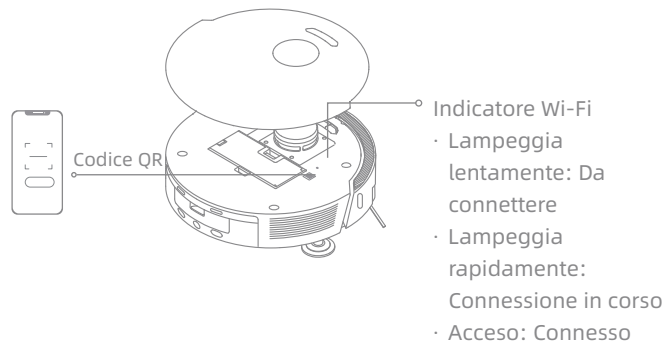
2. Aggiungere il dispositivo

Aprire l'app MOVAhome, toccare "Scansiona il codice QR per connetterti" e scansionare nuovamente lo stesso codice QR sul robot per aggiungere il dispositivo. Seguire le istruzioni per completare la connessione Wi-Fi.

* L'indicatore Wi-Fi inizia a lampeggiare lentamente e indica che il robot è entrato nella configurazione di rete.



Nota: Per ripristinare il Wi-Fi, ripetere il passo 2 e seguire le istruzioni per completare la connessione Wi-Fi.

Per scollegare il dispositivo dalla rete Wi-Fi, tenere premuto il pulsante Ripristino sul robot per 3 secondi.



Modalità d'utilizzo

Accensione/spengimento

Tenere premuto il pulsante  per 3 secondi per accendere il robot. L'indicatore di alimentazione rimane acceso. Per spegnere il robot, allontanarlo dalla stazione base e tenere premuto il pulsante  per 3 secondi.

Mappatura veloce

Dopo aver configurato la rete per la prima volta, seguire le istruzioni dell'App per creare rapidamente una mappa. Il robot inizierà a tracciare una mappa senza pulire. Quando il robot torna alla stazione base, il processo di mappatura è stato completato e la mappa viene salvata automaticamente.

Pausa/Riposo

Quando il robot è in funzione, premere un pulsante qualsiasi per metterlo in pausa.

Se il robot rimane in pausa per più di 10 minuti, entra automaticamente in modalità di riposo. Tutti gli indicatori del robot si spengono. Premere un pulsante qualsiasi del robot o utilizzare l'app per attivarlo.

Nota: Se il robot viene messo in pausa e posizionato sulla stazione di ricarica, il compito di pulizia in corso viene interrotto.

Ripresa automatica della pulizia

Se la batteria è troppo scarica, il robot torna automaticamente alla stazione base per ricaricarsi. Dopo la ricarica al livello di batteria appropriato, riprenderà le attività di pulizia non ancora concluse.

Nota: Per utilizzare questa funzione, abilitarla nell'app.


Modalità Non disturbare (DND)

Quando il robot è impostato sulla modalità Non disturbare (DND), il robot non potrà riprendere la pulizia. La modalità DND è disattivata per impostazione predefinita in fabbrica. Con l'app è possibile attivare la modalità DND o modificare il periodo di DND. Per impostazione predefinita, il periodo di DND va dalle 22:00 alle 8:00.



Nota:

- Le attività di pulizia programmate saranno eseguite come di consueto durante il periodo di DND.
- Alla scadenza del periodo di DND, il robot riprenderà la pulizia dal punto in cui l'aveva lasciata.

Pulizia localizzata

Quando il robot è in standby, premere brevemente il pulsante  per attivare la modalità di pulizia localizzata. In questa modalità, il robot pulisce un'area quadrata di 1,5 x 1,5 metri intorno a sé e torna al punto di partenza una volta completata la pulizia localizzata.

Riavvio del robot


Se il robot smette di rispondere o non può essere spento, tenere premuto il pulsante  per 10 secondi per spegnerlo. Quindi, tenere premuto il pulsante  per 3 secondi per accendere il robot.

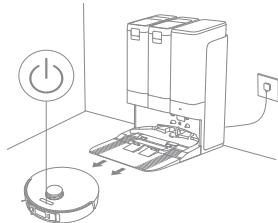
Modalità d'utilizzo

Aspirazione e lavaggio

Nota: Dopo aver installato il gruppo del mocio, il robot funzionerà in modalità "Aspirazione e Lavaggio" per impostazione predefinita durante il primo utilizzo.

1. Avvio della pulizia

Premere il pulsante  sul robot, oppure utilizzare l'app per far partire il robot dalla stazione base. Quindi il robot pianifica il percorso di pulizia ottimale ed esegue l'operazione di pulizia in base alla mappa creata.



Nota:

- Per garantire che il robot torni facilmente alla stazione base dopo la pulizia, si raccomanda di far partire il robot dalla stazione base.
- I tamponi del mocio verranno puliti prima che il robot inizi a pulire, attendere pazientemente.
- Non spostare la stazione base, il serbatoio dell'acqua pulita o il serbatoio dell'acqua usata durante il funzionamento.
- La pulizia con acqua calda può essere attivata nell'app per le attività di pulizia del tampone del mocio e della base della piastra di lavaggio, e questo vale per tutte le modalità. Per evitare scottature, non toccare l'uscita dell'acqua della piastra di lavaggio quando la funzione è attiva.

2. Lavaggio automatico del mocio

Durante la pulizia, il robot torna automaticamente alla stazione base per lavare i tamponi del mocio in base alla frequenza di pulizia degli stessi specificata nell'app. La stazione base svuoterà o riempirà automaticamente il serbatoio dell'acqua del robot e quest'ultimo riprenderà le operazioni di pulizia.

3. Svuota automaticamente il contenitore della polvere e lava e asciuga i tamponi del mocio

Dopo che il robot ha terminato un'attività di pulizia e torna alla stazione base per ricaricarsi, la stazione base svuota automaticamente il contenitore della polvere, quindi pulisce e asciuga i tamponi del mocio.

Nota:

- Se la funzione di svuotamento automatico è disattivata nell'app, la stazione base non svuoterà automaticamente il contenitore della polvere.
- La stazione base svuoterà il contenitore della polvere in base alle impostazioni dell'app.

4. Pulire il serbatoio dell'acqua usata

Dopo che il robot ha completato il suo compito, è opportuno pulire il serbatoio dell'acqua usata per evitare qualsiasi odore.

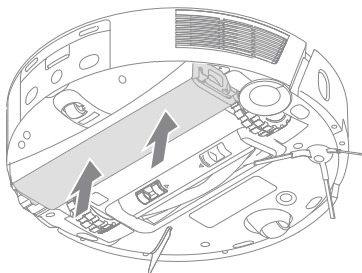
Modalità d'utilizzo

Lavare dopo aver passato l'aspirapolvere

Abilitando la funzione di lavaggio dopo l'aspirazione nell'app, il robot solleverà automaticamente il gruppo del mocio sulla stazione base per aspirare il pavimento. Al termine dell'aspirazione, il robot tornerà alla stazione base dove il contenitore della polvere sarà svuotato automaticamente. Quindi, il robot inizierà a lavare abbassando il mocio e sollevando la spazzola principale e la spazzola laterale.

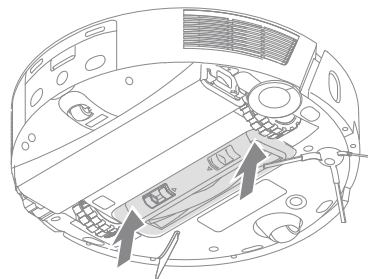
Solo aspirapolvere

Abilitare la funzione di aspirazione nell'app e il robot solleverà automaticamente il gruppo del mocio sulla stazione base e inizierà ad aspirare.



Solo lavaggio

Abilitando la funzione di pulizia nell'app, il robot inizierà automaticamente a lavare abbassando il gruppo del mocio e sollevando la spazzola principale e la spazzola laterale.



Manutenzione ordinaria

Parti di ricambio

Per mantenere il robot in buone condizioni, si raccomanda di fare riferimento all'utilizzo degli accessori nell'app o alla tabella seguente per la manutenzione ordinaria.

Parte	Frequenza di manutenzione	Periodo di sostituzione
Serbatoio dell'acqua usata	Dopo ogni utilizzo	/
Serbatoio dell'acqua pulita	Una volta ogni 2 settimane	
Spazzola principale		Ogni 6-12 mesi
Filtro del contenitore della polvere		Ogni 3-6 mesi
Spazzola laterale		
Barriera a imbuto per lo sporco		
Piastra di lavaggio	Una volta al mese	
Area di segnalazione della stazione base		
Contatti di ricarica della stazione base		
Bocchetta di svuotamento automatico della stazione base		
Omnidirezionale		
Ruota		
Sensore di bordo		
Sensore di distanza laser (LDS)		
Sensori laser 3D a doppia linea		

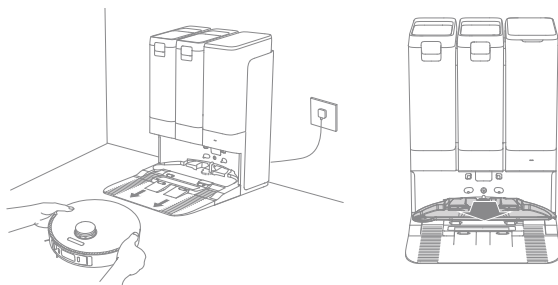
Parte	Frequenza di manutenzione	Periodo di sostituzione
Finestra paraurti		
Sensore tappeto	Una volta al mese	/
Sensori di dislivello		
Luce ausiliaria a LED		
Contatti di ricarica del robot		
Paraurti		
Bocchetta di svuotamento automatico del robot		
Ingresso per il rifornimento automatico di acqua del robot		
Fondo del robot		
Porta per il rabbocco della soluzione detergente	Pulirlo quando si rabbocca la soluzione detergente	/
Contenitore della polvere	Pulirlo se necessario	
Serbatoio dell'acqua usata del robot		
Spazzola a rullo morbida		
Sacchetto per la polvere	/	Ogni 2-4 mesi
Tampone del mocio		Ogni 1-3 mesi
Tampone del mocio per i bordi		Ogni 1-3 mesi
Anticalcare		Ogni 18-36 mesi

Nota: La frequenza di sostituzione dipende dall'utilizzo del robot. Se si verifica un'eccezione dovuta a circostanze particolari, le parti devono essere sostituite.

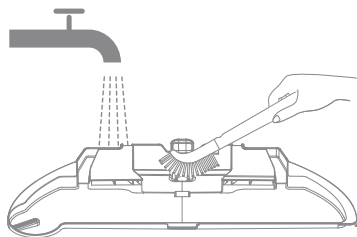
Manutenzione ordinaria

Piastra di lavaggio

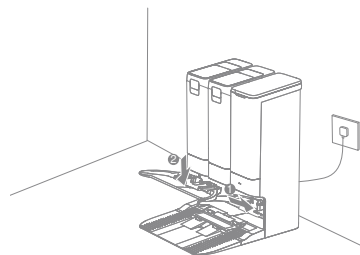
1. Estrarre il robot e rimuovere la piastra di lavaggio al termine della pulizia del tampone del mocio.



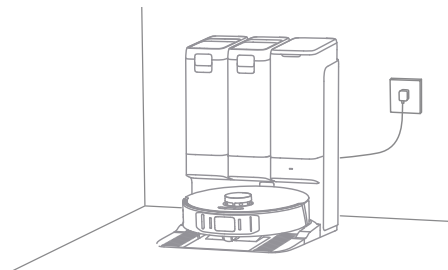
2. Sciacquare la piastra di lavaggio con acqua pulita e asciugarla.



3. Inclinare la piastra di lavaggio e rimetterla nella stazione base.



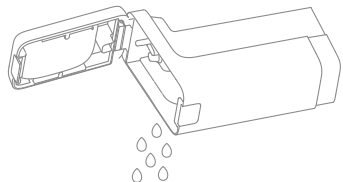
4. Utilizzare l'App o premere il pulsante  per riportare il robot alla stazione base, oppure rimetterlo a posto manualmente.



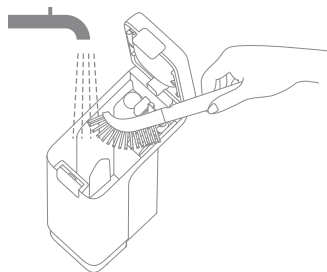
Manutenzione ordinaria

Serbatoio dell'acqua usata

1. Rimuovere il serbatoio dell'acqua usata, aprire il coperchio e versare l'acqua.



2. Sciacquare il serbatoio dell'acqua usata con acqua pulita secondo necessità e utilizzare lo strumento di pulizia in dotazione per pulire la parete interna del serbatoio.



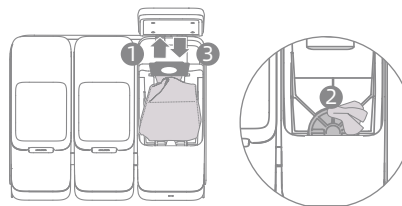
Nota: La sfera del galleggiante nel serbatoio dell'acqua usata è una parte mobile. Non applicare troppa forza durante la pulizia per evitare di danneggiarla.

Sacchetto per la polvere

1. Aprire il coperchio del contenitore della polvere e gettare il sacchetto della polvere. Pulire il filtro con un panno asciutto.

Nota: Tirando verso l'alto la maniglia, il sacchetto viene sigillato per evitare che polvere e detriti cadano accidentalmente.

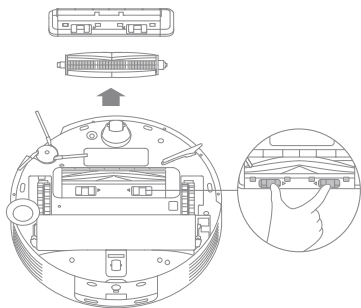
2. Installare un nuovo sacchetto per la polvere e reinstallare il coperchio del contenitore della polvere.



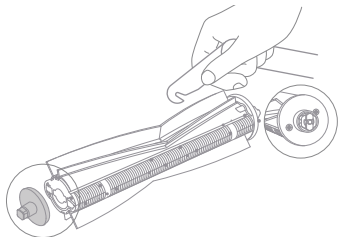
Manutenzione ordinaria

Spazzola principale

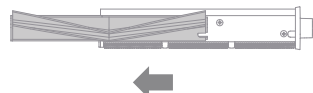
1. Premere i fermi della protezione della spazzola verso l'interno per rimuoverla e sollevare la spazzola dal robot.



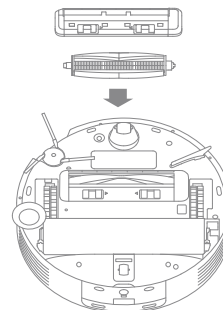
2. Estrarre il coperchio dell'estremità del cuscinetto quadrato come mostrato in figura, quindi utilizzare una spazzola per pulizia o altri strumenti adatti per pulire i corpi estranei sulla spazzola principale.



3. Estrarre e pulire le strisce di spazzola come mostrato in figura. Utilizzare un utensile di pulizia per pulire il pettine.



4. Reinstallare le strisce di spazzola, il coperchio della spazzola e poi la spazzola in sequenza. Premere sulla protezione della spazzola per bloccarla in posizione.



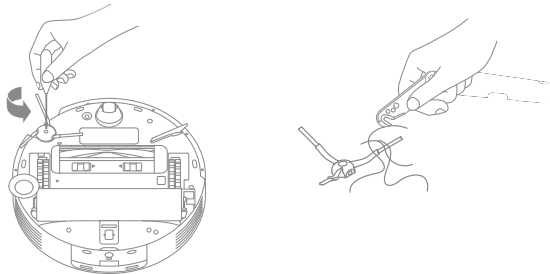
Nota:

- Si consiglia di rimuovere le strisce di spazzola separatamente per la pulizia con acqua, ma di non lavare la spazzola principale.
- Se la spazzola principale è molto aggrovigliata, verificare se il contenitore della polvere del robot è pieno e non può aspirare peli e capelli. In tal caso, svuotare il contenitore della polvere.
- Tenere la spazzola principale fuori dalla portata dei bambini e degli animali domestici per evitare infortuni accidentali.
- Prestare attenzione durante l'estrazione del coperchio della spazzola, la rimozione e l'installazione delle strisce di spazzola per evitare lesioni.

Manutenzione ordinaria

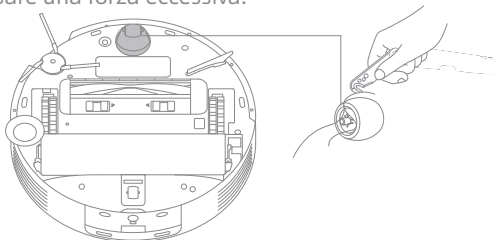
Spazzola laterale

Svitare la spazzola laterale con un cacciavite, pulire i peli dalla spazzola e riavvitarla.



Ruota omnidirezionale

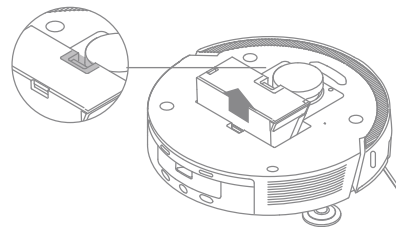
Utilizzare un utensile, ad esempio un piccolo cacciavite, per separare l'asse e il pneumatico della ruota omnidirezionale. Non usare una forza eccessiva.



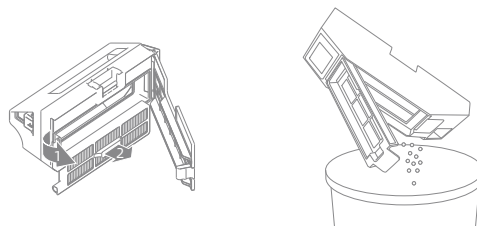
Nota: Sciacquare la ruota omnidirezionale sotto l'acqua corrente e rimontarla dopo averla asciugata completamente.

Contenitore della polvere

1. Rimuovere il coperchio del robot e premere la clip del contenitore della polvere per rimuoverlo.



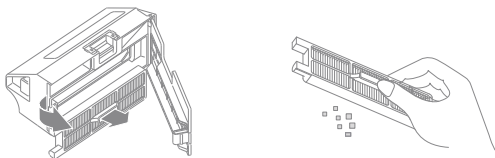
2. Aprire il coperchio del contenitore della polvere dalla posizione segnata con la freccia e svuotare lo sporco.



Manutenzione ordinaria

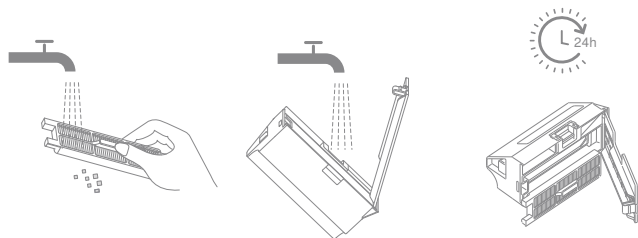
Filtro

1. Rimuovere il filtro del contenitore della polvere e picchiettare delicatamente il cestello del filtro per rimuovere lo sporco.



Nota: Non tentare di pulire il filtro con spazzole, dita o oggetti appuntiti per evitare di danneggiarlo.

2. Sciacquare il contenitore della polvere e il filtro con acqua e asciugarli completamente prima di rimontarli

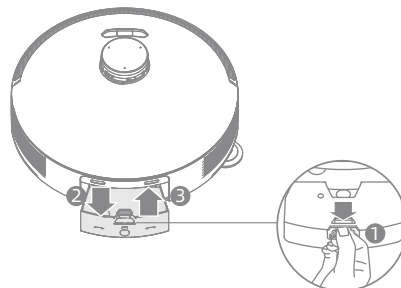


Nota:

- Sciacquare il contenitore della polvere e il filtro solo con acqua pulita. Non utilizzare alcun detergente.
- Utilizzare il contenitore della polvere e il filtro solo quando sono completamente asciutti.

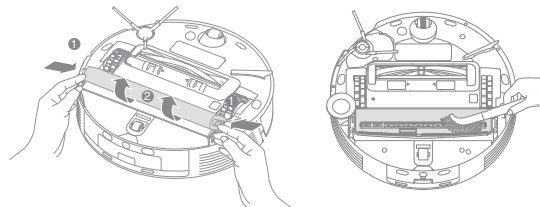
Serbatoio dell'acqua usata del robot

Tenere premuti i pulsanti di rilascio della cassetta dell'acqua usata per rimuoverla. Versare l'acqua usata. Sciacquare il contenitore dell'acqua usata con acqua pulita, asciugarlo o lasciarlo asciugare, quindi rimontarlo nel robot.



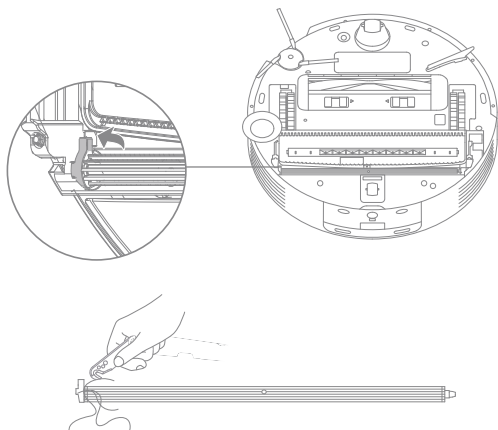
Vano del gruppo del mocio e rullo morbido di pulizia

1. Rimuovere il gruppo del mocio dal fondo del robot. Pulire il vano del gruppo del mocio e lo sfiato del filtro per evitare un'ostruzione.



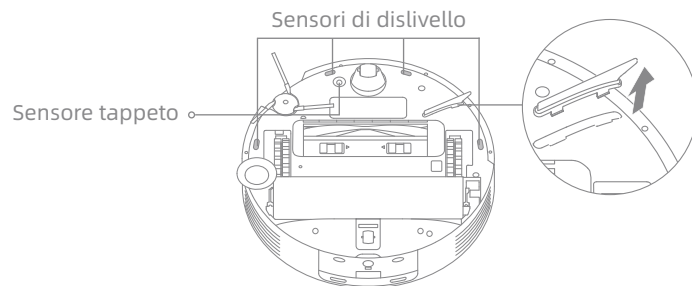
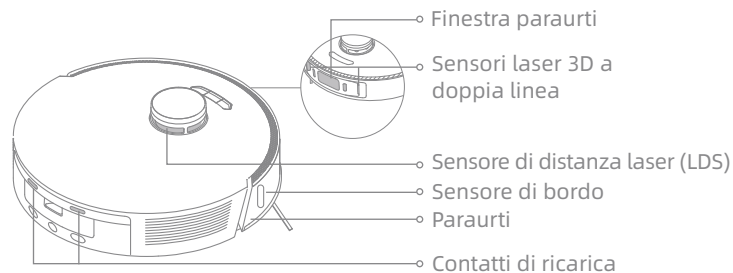
Manutenzione ordinaria

2. Estrarre delicatamente la maniglia di rilascio per rimuovere il rullo, come illustrato di seguito. Pulire il rullo e rimontarlo nel robot.

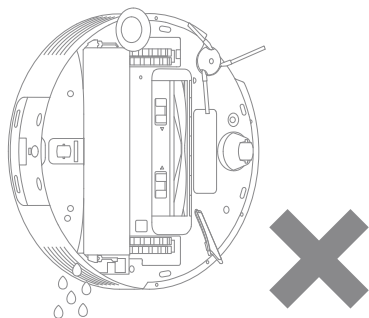


Sensori del robot e contatti di ricarica

Pulire i sensori e i contatti di ricarica del robot con un panno morbido e asciutto, come mostrato nella figura seguente:



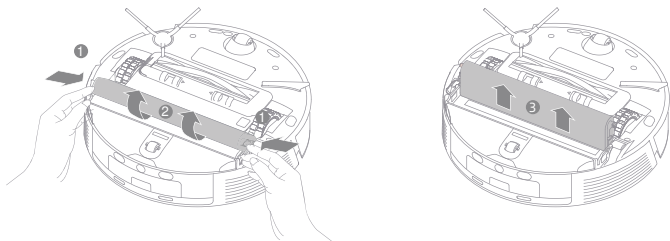
Manutenzione ordinaria



Nota: Un panno bagnato può danneggiare gli elementi sensibili del robot e della stazione base. Per la pulizia utilizzare un panno asciutto.

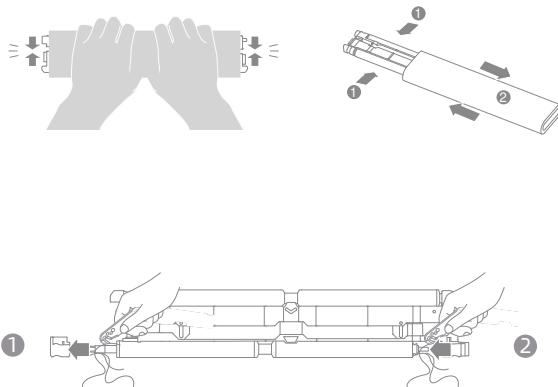
Rimuovere il gruppo del mocio

1. Premere i pulsanti di rilascio su entrambe le estremità del gruppo del mocio.
2. Sollevare il lato del mocio vicino alla parte posteriore del robot con entrambe le mani, quindi rimuovere il gruppo del mocio dal robot.



Sostituire il mocio

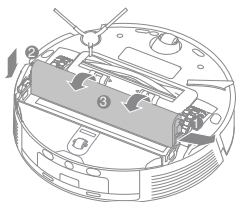
1. Afferrare il mocio con entrambe le mani per premere saldamente la staffa del mocio e ritrarre la staffa.
2. Quando si smonta il mocio, tenere il mocio e la staffa saldamente e separarli lentamente.
3. Installare un nuovo mocio sulla staffa, premere i pulsanti di rilascio su entrambe le estremità della staffa per estenderla e verificare che il mocio sia installato correttamente.



Manutenzione ordinaria

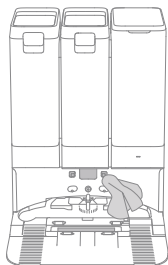
Installare il gruppo del mocio

1. Posizionare il gruppo del mocio in verticale e allineare le estremità del gruppo del mocio alle fessure del robot.
2. Premere il gruppo del mocio fino a farlo scattare in posizione entrambi i lati.



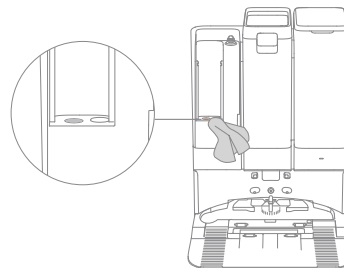
Contatti di ricarica

Pulire i contatti di ricarica, l'area di segnalazione e le fessure di autosvuotamento del robot con un panno morbido e asciutto.



Porta per il rabbocco della soluzione detergente

Se c'è sporcizia intorno alla porta di riempimento della soluzione detergente, pulirla con un panno morbido e asciutto.



Batteria

Il robot contiene una batteria agli ioni di litio ad alte prestazioni. Assicurarsi che la batteria rimanga ben carica durante l'uso quotidiano per mantenere prestazioni ottimali. Se il robot non viene utilizzato per un tempo prolungato, spegnerlo e metterlo via. Per evitare danni dovuti a scariche eccessive, caricare il robot almeno una volta ogni tre mesi.

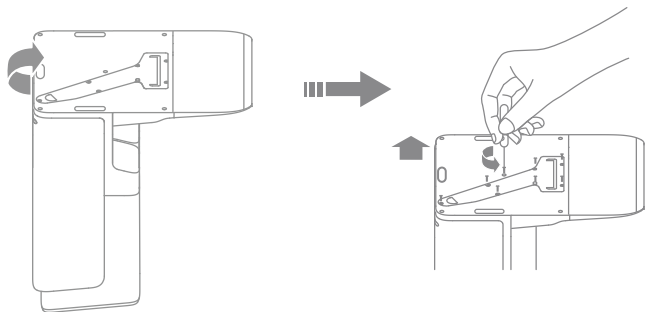
Manutenzione ordinaria

Pulire il condotto dell'aria

Se il condotto dell'aria è ostruito, seguire le istruzioni riportate di seguito per pulirlo:

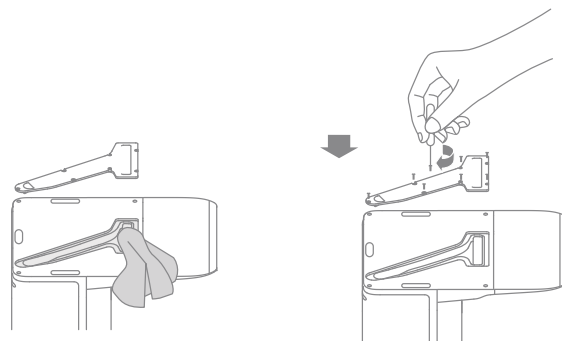
1. Girare con cautela la stazione base e svitare le viti con un attrezzo adatto per rimuovere il coperchio del condotto dell'aria.

Nota: Prima di effettuare la manutenzione, rimuovere il serbatoio dell'acqua e pulire la base della piastra di lavaggio e l'uscita dell'acqua per evitare perdite d'acqua.



2. Controllare se il condotto dell'aria è ostruito da oggetti estranei e pulirlo.



3. Rimontare il coperchio del condotto dell'aria come mostrato in figura.




Risoluzione dei problemi

Problema	Soluzione
Il robot non si accende.	<ul style="list-style-type: none"> · La batteria è scarica. Ricaricare il robot sulla base e riprovare. · La temperatura della batteria è troppo bassa o troppo alta. Si raccomanda di far funzionare l'apparecchio a una temperatura compresa tra 32 °F (0 °C) e 104 °F (40 °C).
Il robot non si carica.	<ul style="list-style-type: none"> · La stazione base non è collegata all'alimentazione, accertarsi che entrambe le estremità del cavo di alimentazione siano collegate correttamente. · Il contatto tra i contatti di ricarica della stazione base e il robot è insufficiente; pulire i contatti di ricarica. · Verificare la presenza di oggetti estranei sui connettori del robot ed eventualmente rimuoverli.
Il robot non riesce a connettersi al Wi-Fi.	<ul style="list-style-type: none"> · La password della rete Wi-Fi non è corretta. Assicurarsi che la password utilizzata per la connessione alla rete Wi-Fi sia corretta. · Il robot non supporta una connessione Wi-Fi a 5 GHz. Assicurarsi che il robot sia collegato a una connessione Wi-Fi a 2,4 GHz. · Il segnale Wi-Fi è debole. Assicurarsi che il robot si trovi in un'area con una buona copertura Wi-Fi. · Il robot potrebbe non essere pronto per essere configurato. Uscire e rientrare nell'app, quindi riprovare come indicato.
Il robot non riesce a trovare e a tornare alla stazione base.	<ul style="list-style-type: none"> · La stazione base viene scollegata dall'alimentazione o spostata quando il robot non è su di essa. Collegare la stazione base all'alimentazione o di posizionare il robot sulla stazione base per caricarlo. · Ci sono troppi ostacoli intorno alla stazione base. Posizionare la stazione base in un'area più aperta. · Lo spostamento del robot può provocare il suo riposizionamento e, se il riposizionamento non riesce, il robot ricrea una mappa. Se il robot è troppo lontano dalla stazione base, potrebbe non essere in grado di tornare automaticamente da solo, nel qual caso sarà necessario posizionare manualmente il robot sulla stazione base. · Pulire l'area di segnalazione della stazione base per rimuovere polvere o detriti.
Il robot si blocca davanti alla stazione base e non può tornare indietro.	<ul style="list-style-type: none"> · Verificare se lo spazio a disposizione su entrambi i lati o davanti alla stazione base è sufficiente per evitare che il robot venga bloccato. · Il percorso di ritorno alla carica è bloccato, ad esempio la porta è chiusa. · Il robot può scivolare se il pavimento davanti alla stazione base è troppo bagnato. In tal caso, pulire l'acqua in eccesso prima di riprovare. · Si consiglia di spostare la stazione base in un altro luogo e riprovare. · Assicurarsi che la piastra di estensione della rampa sia installata correttamente.

Risoluzione dei problemi

Problema	Soluzione
Il robot non si spegne.	<ul style="list-style-type: none"> · Il robot non può essere spento quando è in carica. Si consiglia di allontanare il robot dalla stazione base e di tenere premuto il pulsante  per 3 secondi per spegnerlo. · Se non è possibile spegnere il robot eseguendo il punto 1, tenere premuto il pulsante  per 10 secondi per spegnere forzatamente il robot. Se il problema persiste, contattare il servizio post-vendita.
Il gruppo del mocio è sollevato in modo anomalo.	<ul style="list-style-type: none"> · Rimuovere il gruppo del mocio per verificare che non vi siano oggetti estranei incastrati e provare a riavviare il robot. Se il problema persiste, contattare il servizio post-vendita.
Presenza di acqua sotto il serbatoio dell'acqua pulita o intorno alla guarnizione.	<ul style="list-style-type: none"> · Quando si estrae il serbatoio dell'acqua pulita, è possibile che rimanga dell'acqua nel tubo sotto il serbatoio o intorno alla guarnizione. Questo è normale. Pulire con un panno asciutto.
La velocità di ricarica è lenta.	<ul style="list-style-type: none"> · La ricarica completa del robot richiede circa 4,5 ore quando la batteria è scarica. · Se si utilizza il robot a temperature che non rientrano nell'intervallo specificato, la velocità di ricarica rallenterà automaticamente per prolungare la durata della batteria. · I contatti di ricarica del robot e della stazione base potrebbero essere sporchi; pulirli con un panno asciutto.
Il rumore aumenta durante il funzionamento del robot.	<ul style="list-style-type: none"> · Controllare se il filtro del contenitore della polvere è intasato. In tal caso, pulirlo o sostituirlo. · Un oggetto duro può rimanere incastrato nelle spazzole principali o nel contenitore della polvere. Controllare e rimuovere eventuali oggetti duri. · Le spazzole principali o quella laterale potrebbero incastrarsi. Controllare e rimuovere eventuali corpi estranei. · Commutare la modalità di aspirazione su Standard o Silenzioso.
Il robot si muove senza seguire il percorso impostato.	<ul style="list-style-type: none"> · Oggetti come cavi di alimentazione e pantofole devono essere messi via prima di utilizzare il robot. · Il lavoro su superfici bagnate e scivolose provoca lo slittamento della ruota principale. Si raccomanda di asciugare i punti bagnati prima di utilizzare il robot. · Pulire la finestra del paraurti e i sensori laser 3D a doppia linea del robot con un panno morbido e pulito per mantenerli puliti e non ostruiti.

Risoluzione dei problemi

Problema	Soluzione
Il robot non trova le stanze da pulire.	<ul style="list-style-type: none"> ·Assicurarsi che le porte delle stanze da pulire siano aperte. ·Verificare se la soglia della porta della stanza è più alta di circa 2 cm. Il robot non può superare soglie o gradini alti. ·Il luogo antistante la stanza da pulire potrebbe essere bagnato e scivoloso, causando lo scivolamento del robot e un funzionamento anomalo. Prima di utilizzare il robot, provare ad asciugare il pavimento.
Il robot non riprende la pulizia dopo la ricarica.	<ul style="list-style-type: none"> ·Assicurarsi che il robot non sia impostato sulla modalità Non disturbare (DND), che gli impedisce di riprendere la pulizia. ·Il robot non riprende la pulizia dopo che è stato riportato manualmente alla stazione base o inviato alla ricarica tramite l'app o il pulsante .
La stazione non può svuotare automaticamente il contenitore della polvere.	<ul style="list-style-type: none"> ·Controllare se il sacchetto della polvere nel contenitore è pieno. ·Se il sacchetto della polvere non è pieno, verificare se ci sono ostruzioni nelle bocchette di svuotamento automatico del robot, della stazione base o del contenitore della polvere. Se ci sono, pulire prontamente la parte bloccata.
Il livello dell'acqua nella base della piastra di lavaggio è anomalo.	<ul style="list-style-type: none"> ·Controllare se l'uscita dello scarico delle acque reflue è ostruita e pulirla. ·Premere delicatamente sul serbatoio dell'acqua usata per verificare che sia installato correttamente. ·Controllare se la guarnizione del serbatoio dell'acqua usata è allentata o non è installata correttamente e, in tal caso, ripristinarla manualmente. Se il problema persiste, contattare il servizio post-vendita. ·Controllare la soluzione detergente. Non aggiungere altri liquidi oltre alla soluzione detergente ufficialmente approvata.

Per ulteriore supporto, contattateci tramite <https://www.mova.tech>

Specifiche

Robot

Modello	RLZ92CE
Tempo di ricarica	Circa 4,5 ore
Tensione nominale	14,4 V $\overline{\text{---}}$
Potenza nominale	75 W
Frequenza di funzionamento	2400-2483,5 MHz
Potenza di uscita massima	< 20 dBm

Stazione base/Stazione di ricarica

Consumo energetico in modalità off: $\leq 0,3$ W

Consumo di energia in modalità standby: $\leq 0,5$ W (entro 15 minuti dopo che il robot lascia la stazione base/di ricarica)

Robot e Stazione base/Stazione di ricarica

L'apparecchiatura non dispone di una modalità di standby o di altri stati equivalenti in termini di requisiti di standby, funzione di gestione dell'alimentazione o capacità di disattivare le connessioni di rete wireless per esigenze di manutenzione della batteria. Il consumo di energia dell'apparecchiatura è probabilmente superiore a quello di altri modelli di apparecchiature che soddisfano questi requisiti funzionali.

Stazione base

Modello	RCZE0301
Ingresso nominale	220-240 V \sim 50-60 Hz
Uscita nominale	19.4 V $\overline{\text{---}}$ 3 A
Potenza nominale (durante lo svuotamento della polvere)	700 W
Potenza nominale (durante la pulizia con acqua calda)	1160 W
Potenza nominale (durante la carica e l'asciugatura)	95 W

In condizioni normali di utilizzo, questa apparecchiatura deve essere tenuta a una distanza di almeno 20 cm tra l'antenna e il corpo dell'utente.

Nota:

- La potenza nominale (durante la pulizia con acqua calda) è determinata dal valore della potenza durante il periodo rappresentativo (temperatura dell'acqua 25 °C).
- La potenza nominale (durante la carica e l'asciugatura) è determinata dal valore della potenza a pieno carico.

Smaltimento e rimozione della batteria

La batteria agli ioni di litio incorporata contiene sostanze pericolose per l'ambiente. Prima di smaltire la batteria, assicurarsi che venga rimossa da tecnici qualificati e smaltita presso un centro di riciclo appropriato.

- la batteria deve essere rimossa dall'apparecchio prima di essere rottamata;
- l'apparecchio deve essere scollegato dalla rete di alimentazione quando si rimuove la batteria;
- la batteria deve essere smaltita in modo sicuro.

CAUTELA:

Prima di rimuovere la batteria, scollegare l'alimentazione ed esaurire la batteria il più possibile.

Le batterie non necessarie devono essere smaltite presso un impianto di riciclo appropriato.

Non esporre ad ambienti ad alta temperatura per evitare rischi di esplosione.

In caso di condizioni difficili, è possibile che il liquido venga espulso dalla batteria. In caso di contatto, sciacquare con acqua e consultare un medico.

Guida alla rimozione:

1. Capovolgere il robot, utilizzare uno strumento appropriato per rimuovere le viti sul retro del robot, quindi rimuovere il coperchio.
2. Scollegare i terminali tra la batteria e la scheda PCB per rimuovere la batteria.

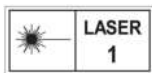
Informazioni RAEE



Tutti i prodotti contrassegnati da questo simbolo sono rifiuti di apparecchiature elettriche ed elettroniche (RAEE come da direttiva 2012/19/UE) che non devono essere mescolati con i rifiuti domestici indifferenziati. Per proteggere la salute umana e l'ambiente, invece, è necessario consegnare i rifiuti di apparecchiature a un punto di raccolta designato per il riciclaggio dei rifiuti di apparecchiature elettriche ed elettroniche, nominato dal governo o dalle autorità locali. Lo smaltimento e il riciclo corretti aiutano a prevenire potenziali conseguenze negative per l'ambiente e la salute umana. Per ulteriori informazioni sull'ubicazione e sui termini e le condizioni di tali punti di raccolta, contattare l'installatore o le autorità locali.



Move on, ventures await



For more support, contact us via <https://www.mova.tech>

Manufactured by: XingKuang Innovation Technology (Suzhou) Co., Ltd.

Made in China



EU-A03