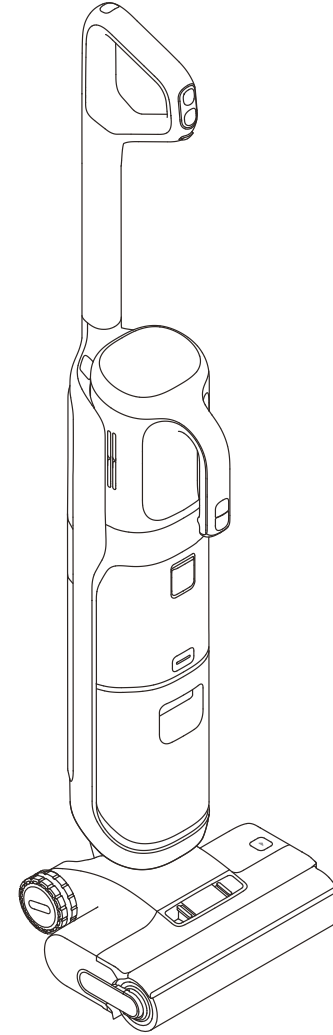


H14 Dual

Wet and Dry Vacuum



Website: <https://global.dreametech.com>
Manufactured by: Dreame Trading (Tianjin) Co., Ltd.
Made in China

YYYY-MM
EU-A01



User Manual

The illustrations in this manual are for reference only.
Please refer to the actual product.

DREAME

THANK YOU

FOR PURCHASING THIS DREAME
WET AND DRY VACUUM.

The high-quality product is engineered for optimal performance.
If you have any questions on the product, please contact us:
aftersales@dreame.tech.

Contents

EN	User Manual	001
DE	Benutzerhandbuch	026
FR	Mode d'emploi	051
IT	Manuale d'uso	076
ES	Manual de usuario	101
NL	Gebruikershandleiding	126
PT	Manual do utilizador	151



Please scan the QR code for the User Manual.

Important Safety Instructions

Please read this manual carefully before use and retain it for future reference.

When using an electrical appliance, basic precautions should always be followed, including the following:

READ ALL INSTRUCTIONS BEFORE USING (THIS APPLIANCE). Failure to follow the warnings and instructions may result in electric shock, fire and/or serious injury.

WARNING — To reduce the risk of fire, electric shock, or injury:

Usage Restrictions

- This appliance should not be used by children younger than 8 years old nor persons with physical, sensory, intellectual deficiencies, or limited experience or knowledge without the supervision of a parent or guardian to ensure safe operation and to avoid any risks. Cleaning and maintenance shall not be performed by children without supervision.
- Plastic film can be dangerous. To avoid the danger of suffocation, keep it away from children. Children shall not play with the appliance.
- Use indoors only, on non-carpeted floor surfaces such as vinyl, tile, sealed wood, etc. Be careful not to run over loose objects or the edges of area rugs. Stalling the brush may result in premature belt failure.
- Use only as described in this user guide. Use only manufacturer's recommended attachments.
- Do not expose the appliance to fire or excessive temperature. Exposure to fire or excessive temperature may cause an explosion.
- Do not use in extremely hot or cold environments (below 5°C/41°F or above 40°C/104°F). Please charge the appliance in temperature above 5°C/41°F and below 40°C/104°F.
- Do not immerse the appliance in liquid.
- Do not use to pick up flammable or combustible liquids, such as gasoline. Do not use in areas where flammable or combustible liquids may be present.
- Do not put any object into openings. Do not use the appliance when any opening is blocked. Keep free of dust, lint, hair, and anything that may inhibit air flow.
- Do not pick up toxic material (chlorine bleach, ammonia, drain cleaner, etc.). Do not pick up hard or sharp objects such as glass, nails, screws, coins, etc.
- Do not use the appliance in an enclosed space filled with vapor given off by oil-based paint, paint thinner, some moth-proofing substances, flammable dust, or other explosive or toxic vapour. Do not pick up anything that is burning or smoking, such as cigarettes, matches or hot ashes.
- Do not use the appliance without filters in place.
- Keep hair, loose clothing, fingers, and all parts of the body away from openings and moving parts of the appliance and its accessories.
- Keep ground cables away from the appliance when using it. A hazard may occur if the appliance runs over a supply cord.
- Use extra care when cleaning on stairs.

Important Safety Instructions


Maintenance and Storage

- Prevent unintentional starting. Ensure the switch is in the OFF-position before picking up or carrying the appliance. Carrying the appliance with your finger on the switch or turning on the appliance may result in an accident.
- Ensure that the appliance is placed on a horizontal surface. Do not use the appliance at the same position if the appliance is equipped with a brush roller and the handle is not completely upright. Do not store the appliance in a place where it may freeze.
- Switch off and unplug the appliance when not in use, before cleaning, maintaining or servicing it, and before connecting or disconnecting it with a moving brush.
- Do not use an appliance that is damaged or modified. A damaged or modified appliance may exhibit unpredictable behavior resulting in fire, explosion, or risk of injury.
- Do not modify or attempt to repair the appliance except as indicated in the instructions for use and care.
- Do not use the appliance with a damaged attachment (eg: charging base, supply cord etc.). If the appliance or attachment has been dropped, damaged, left outdoors, dropped into water, or is not working as it should, never attempt to operate it. Please have it repaired at an authorized service center.
- Have servicing performed by a qualified repair person using only identical replacement parts. This will ensure that the safety of the appliance is maintained.
- If the supply cord is damaged, it must be replaced by the manufacturer, its service agent or similarly qualified persons in order to avoid a hazard.

Battery and Charging

- For the purpose of recharging the appliance, only use the charging base provided with this appliance. Use only with HCBM charging base.
- Follow all charging instructions and do not charge the appliance outside of the temperature range specified in the battery as doing so increases the risk of fire.
- Charging base is equipped with drying function and only suitable for drying this appliance's brush.
- Keep the charging base cable away from heated surfaces. Do not handle the charging base plug or appliance with wet hands. To unplug, grasp the charging base plug, rather than the cable.
- Do not pull or carry charging base by cable, use cable as a handle, close door on cable, or pull cable around sharp edges or corners.
- Do not use any non-rechargeable battery pack. Failing to do so may cause the lithium-ion battery to catch fire. This appliance contains batteries that can only be replaced by qualified technicians or after-sales service.
- The lithium-ion battery pack contains substances that are hazardous to the environment. Before disposing of the appliance, please first remove the battery pack, then discard, or recycle it in accordance with local laws and regulations of the country or region it is used in.
- The appliance must be disconnected from the power supply when removing the battery. Keep batteries out of the reach of children. Never put batteries in mouth. If swallowed, contact your physician or local poison control.

Important Safety Instructions

- Under abusive conditions, never contact the battery from which the liquid may be ejected. If contact accidentally occurs, rinse with water. If liquid contacts eyes, seek medical help immediately. Liquid ejected from the battery may cause irritation or burns.
- The charging base is capable of charging the 6-cell 5000 mAh battery pack. This charging base should not be used to charge non-rechargeable batteries. Failing to do so may cause the lithium-ion battery to catch fire.
- The charging base is marked with a  icon indicating "Caution: Hot Surface." Do not touch the brush roller, hot water, or heating module of the charging base while self-cleaning with hot water.

Symbols



For indoor use only



Read operator's manual



Caution: Hot Surface



Motorized cleaning head for water suction cleaning



Detachable supply unit



WEEE Information

All products bearing this symbol are waste electrical and electronic equipment (WEEE as in directive 2012/19/EU) which should not be mixed with unsorted household waste. Instead, you should protect human health and the environment by handing over your waste equipment to a designated collection point for the recycling of waste electrical and electronic equipment, appointed by the government or local authorities. Correct disposal and recycling will help prevent potential negative consequences to the environment and human health. Please contact the installer or local authorities for more information about the location as well as terms and conditions of such collection points.

We, Dreame Trading (Tianjin) Co., Ltd., hereby declares that this equipment is in compliance with the applicable Directives, European Norms, and amendments. The full text of the EU declaration of conformity is available at the following internet address: <https://global.dreame.tech.com>

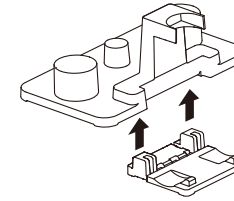
For detailed e-manual, please go to <https://global.dreame.tech.com/pages/user-manuals-and-faqs>

Product Overview

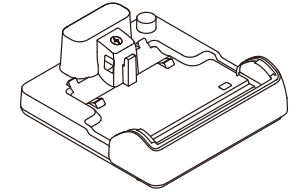
Packing List



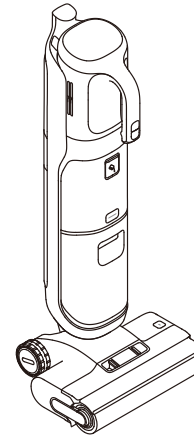
Handle



Accessory Storage Mount



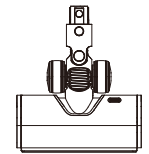
Charging Base



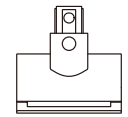
Main Body



Extension Rod



Multi-Surface Brush



Motorized Mini-Brush



Cleaning Brush



Replacement Filter



Dust Cup Assembly

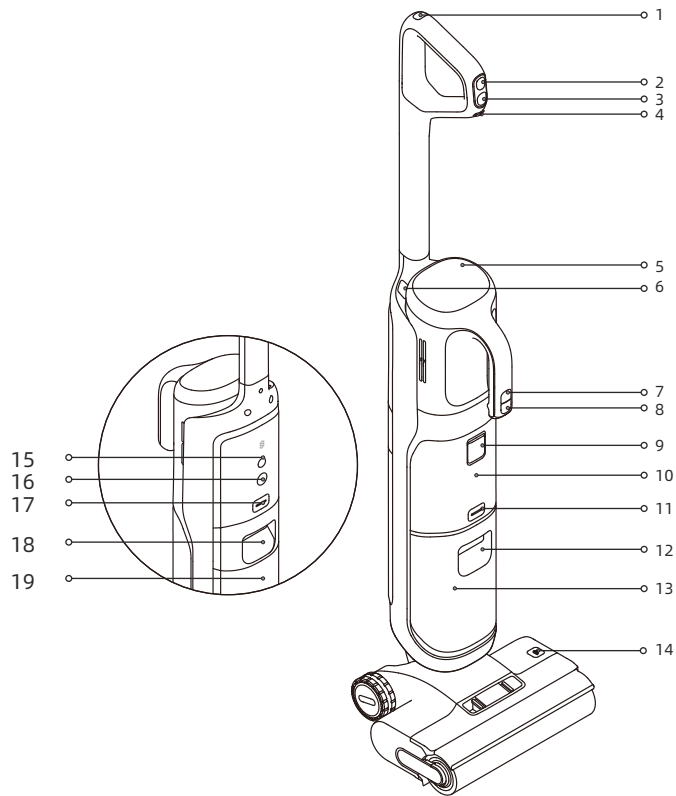


Spare Brush Roller



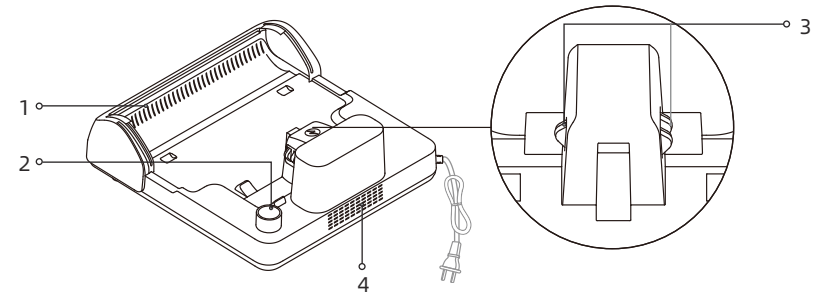
Combination Tool

Wet and Dry Vacuum



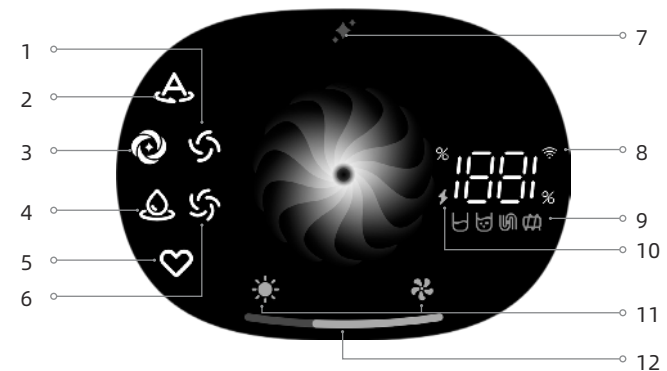
- | | | |
|---------------------------|-------------------------------------|---|
| 1. Self-Cleaning Button | 8. Handvac Power Switch | 15. Voice Prompt/Wi-Fi Button |
| 2. Mode Switch | 9. Cleaning Solution Port | <ul style="list-style-type: none"> Press briefly to activate the voice prompt or adjust the volume Press and hold to start/stop Wi-Fi setup |
| 3. Power Switch | 10. Cleaning Solution Box | 16. Omnidirectional Wheel |
| 4. Auto Distribute Switch | 11. Clean Water Tank Release Button | 17. Used Water Tank Release Button |
| 5. Display Screen | 12. Clean Water Tank Handle | 18. Used Water Tank Handle |
| 6. Handvac Release Button | 13. Clean Water Tank | 19. Used Water Tank |
| 7. Handvac Mode Switch | 14. Brush Roller Release Button | |

Charging Base



- | | |
|---------------------------|----------------------|
| 1. Air-Drying Outlet | 3. Charging Contacts |
| 2. Accessory Storage Slot | 4. Air-Drying Inlet |

Display Screen

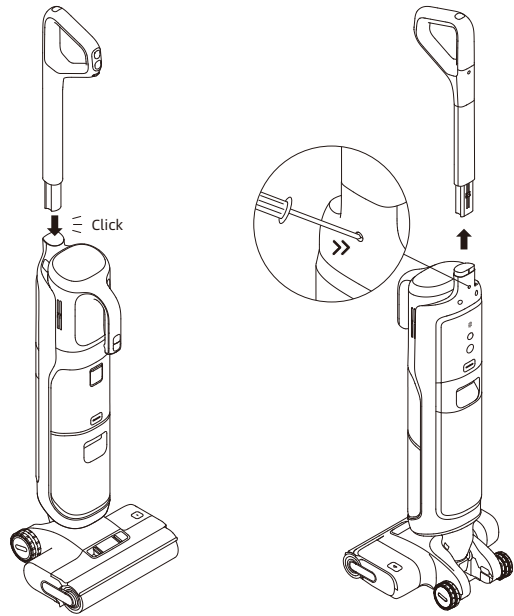


- | | | |
|--------------------------|--|---|
| 1. Handvac Standard Mode | 7. Cleaning Solution Status Indicator | 11. Drying Mode |
| 2. Auto Mode | <ul style="list-style-type: none"> Solid On: Turn on auto distribute mode Flashing: Insufficient cleaning solution | When the drying mode is on, both ☀ and 🌀 icons will illuminate. |
| 3. Turbo Mode | 8. Wi-Fi Indicator | 12. Dust Concentration Indicator/ Drying Process Indicator |
| 4. Suction Mode | 9. Error Messages | <ul style="list-style-type: none"> The color of the indicator changes with the amount of dirt in real time when in use. The indicator indicates the drying process. |
| 5. Custom Mode | 10. Charging/Low Battery Indicator | |
| 6. Handvac Turbo Mode | | |

Note: If the appliance is not working properly, the display screen will show an error message or error code. Please refer to the Error Prompts and Solutions table to find your solution.

Installing the Handle

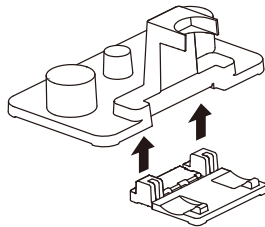
Insert the end of the handle vertically into the port on the top of the appliance as indicated until you hear a click.



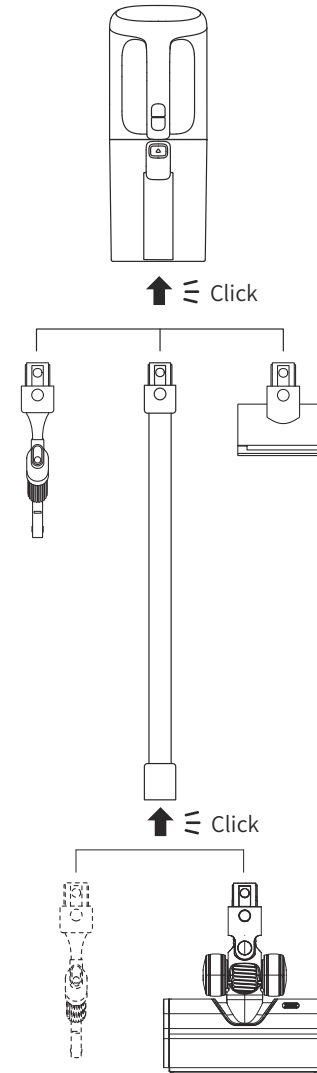
Note: To disassemble, extend a hard object into the hole of the appliance as indicated to press in the contacts and pull the handle upwards at the same time.

Installing the Accessory Storage Mount

Insert the extension plate into the bottom front of the accessory storage mount.



Installing Handvac Attachments

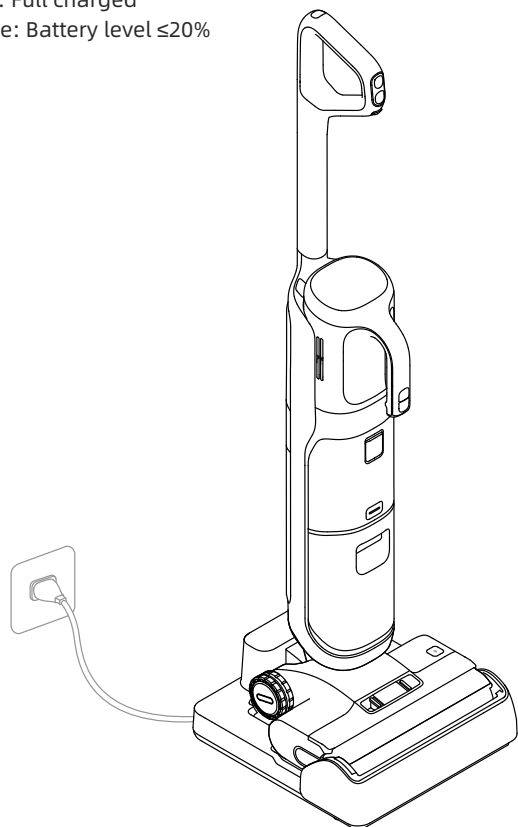


Note: Motorized mini-brush should not be used with the extension rod.

1. Place the charging base against a wall on level ground and connect it to a power source. Fully charge the appliance before first use.
2. Place the appliance on the charging base. When the number on the display screen reaches 100, the battery is fully charged.

⚡ Charging/Low Battery Indicator

- Orange Breathing: Battery level ≤20% (charging)
- Green Breathing: Battery level >20% (charging)
- Solid Green: Full charged
- Solid Orange: Battery level ≤20%

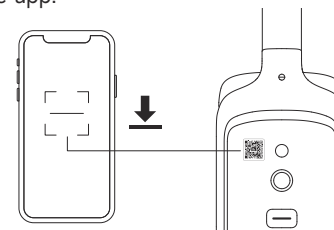


Note:

- Fully charge the appliance before first use.
- If there is no operation within 10 minutes of being fully charged, the vacuum will enter sleep mode. Please restart the appliance if you need to use it.
- To extend the battery life time, the battery keeps cooling down automatically after you have used the appliance for a long time.

1. Download the Dreamehome App

Scan the QR code on the appliance, or search "Dreamehome" in the app store to download and install the app.

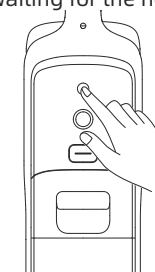
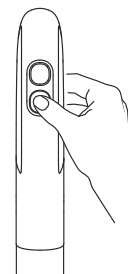


Note:


- Only 2.4 GHz Wi-Fi is supported.
- Due to upgrades in the app software, the actual operations may differ from the directions in this manual. Please follow the instructions based on the current app version.

2. Add Device

- 1 Press the power switch briefly to power on.
- 2 Press and hold the voice prompt/Wi-Fi button located on the back of the appliance to set up Wi-Fi connection. The Wi-Fi indicator pulses in white, and voice prompt says, "Waiting for the network configuration."



- 3 Open the Dreamehome app and scan the same QR code on the appliance again to add the device. Please follow the prompts to finish the Wi-Fi connection.


Wi-Fi Indicator

- Breathing: To be connected
- Blinking: Connecting/OTA upgrading
- On: Connected

Note: The appliance will exit the network connection if there is no operation for 10 minutes, or if the network connection fails. To reset Wi-Fi, please repeat the steps above and complete the connection according to the prompts in the app.

After Wi-Fi setup is complete, press and hold the voice prompt/Wi-Fi button to disable the network connection. Press and hold again to reconnect to Wi-Fi.

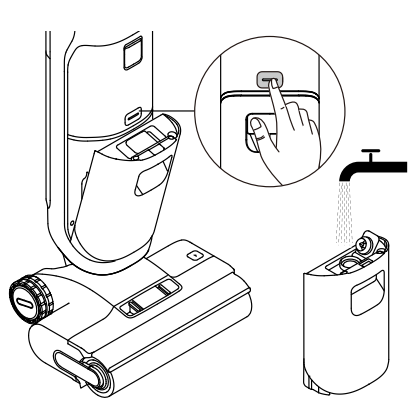
Restore Factory Settings

Press and hold the voice prompt/Wi-Fi button and the self-cleaning button for 3 seconds to restore factory settings.

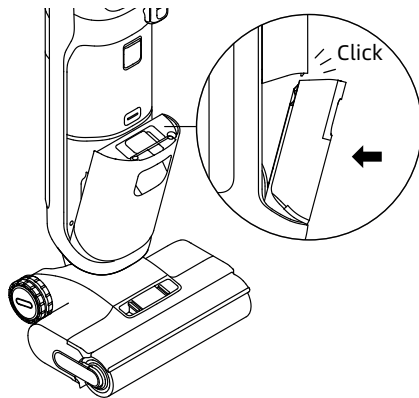
How to Use

Filling the Clean Water Tank

1. Press the Clean Water Tank release button to remove the tank. Open the tank cover and fill the tank with clean water.

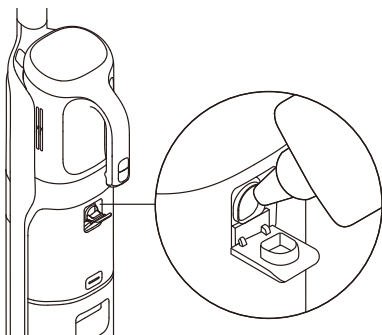



2. Install the Clean Water Tank and ensure it clicks into place.

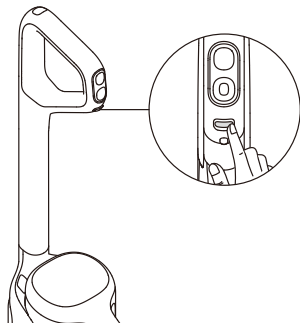


Adding Cleaning Solution


1. Open the cover of the cleaning solution box, fill it with the cleaning solution, and close the cover tightly.



2. Turn on the auto distribute switch, and then the screen  will light up. The appliance will intelligently adjust the ratio of cleaning solution to water according to the dirt on the floor to clean the floor efficiently.




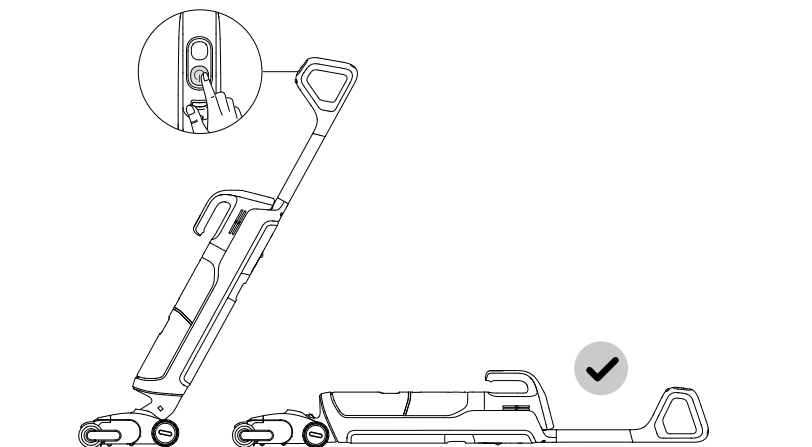
Note:

- Please add the cleaning solution directly into the cleaning solution box when in use. The appliance will adjust the dilution ratio according to the app settings and the dirt condition.
- Do not use any liquids other than the officially-approved clean solution. The cleaning solution is available on the official online store.
- The screen  flashes to indicate that the cleaning solution is exhausted. Please refill the cleaning solution in time.
- If the cleaning solution is not used temporarily, please turn off the auto distribute switch.
- When powered on for the first time, the device defaults to Auto Mode. For subsequent use, it will automatically enter the last used mode upon startup.

How to Use

Starting Cleaning

Gently step on the brush cover and recline the appliance backwards. Press the power switch  to start/stop operating. If the appliance is in the upright position while working, the current task will be suspended. The appliance is designed for lying flat at a 180-degree angle, enabling it to reach and clean under the low-profile furniture.



Note:

- Do not vacuum any foamy liquids.
- Make sure the appliance is in upright position before turning off the power while the appliance is lying flat.
- The appliance is suitable for cleaning floors, marble, tiles and other hard surfaces.
- When the appliance is in operation, do not lift it off the ground, move it or tilt it. Otherwise, the used water may flow into the motor.
- The LED lighting function is enabled by default and only lights up during floor washing. This function can be disabled through the App.
- When powered on for the first time, the device defaults to Auto Mode. For subsequent use, it will automatically enter the last used mode upon startup.

Switching Modes

Press the mode switch  to switch modes according to your needs.



Auto Mode

The appliance will intelligently adjust the suction power according to the stains on the ground.



Turbo Mode

Maximum suction power and increased water flow for stubborn stains on hard floors.



Suction Mode

Sucks up a large amount of water from the floor.



Custom mode

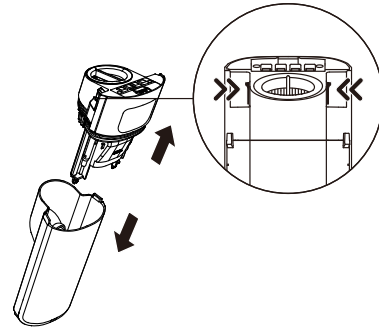
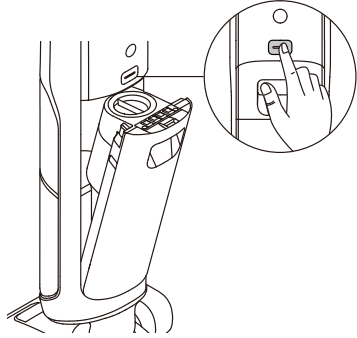
Suction power, water volume, etc. can be adjusted within the APP. The main body will start working according to the settings in the APP.

How to Use

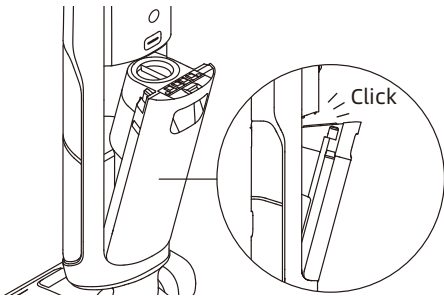
Emptying the Used Water Tank

1. Press the Used Water Tank release button to remove the tank.

2. Press the Used Water Tank cover release buttons to remove the tank cover. Pour out the used water.





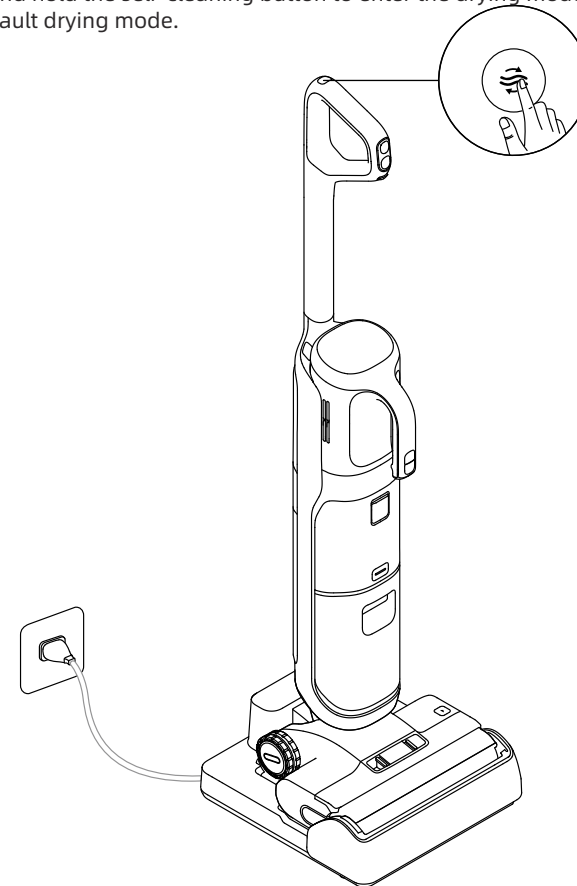
3. Re-install the Used Water Tank until you hear a click.



How to Use

Self-Cleaning With Hot Water & Drying Mode

1. Place the appliance back onto the base. Ensure that the water in the Clean Water Tank is sufficient for self-cleaning.
2. Briefly press the self-cleaning button  on the top of the handle to start/stop self-cleaning.
3. Empty the Used Water Tank after self-cleaning is completed and drying mode has been engaged. Press the button  to exit drying mode.
4. Press and hold the self-cleaning button to enter the drying mode settings and select the default drying mode.



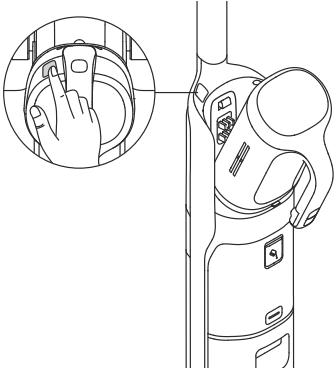
Note:

- If the auto distribute switch on, the appliance will use the cleaning solution automatically by default for self-cleaning.
- Do not touch the brush roller, hot water, or heating module of the charging base while self-cleaning with hot water.
- The self-cleaning function can be enabled only when the appliance is being charged and the battery level is more than 15%. If the battery level is lower, please charge to 15% before starting self-cleaning.

How to Use



Using Handvac

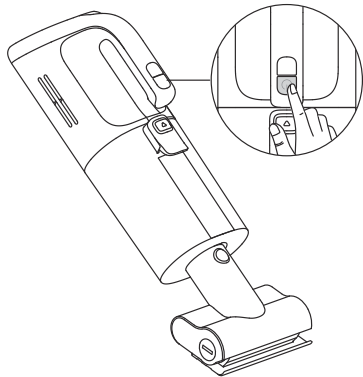
1. Press the handvac release button to remove the handvac.



2. Install the dust cup assembly and other attachments as shown in the diagram until you hear a click.



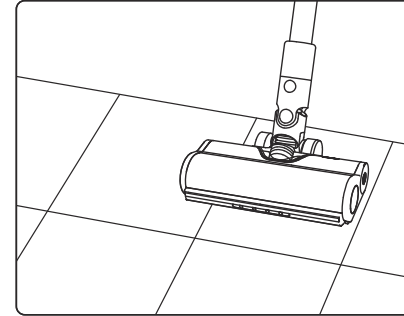
3. Briefly press the handvac power switch  to start operating. Briefly press the handvac mode switch  to switch between standard mode and turbo mode according to your needs.



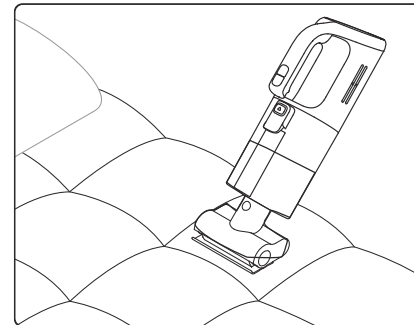
How to Use

Using Handvac Attachments

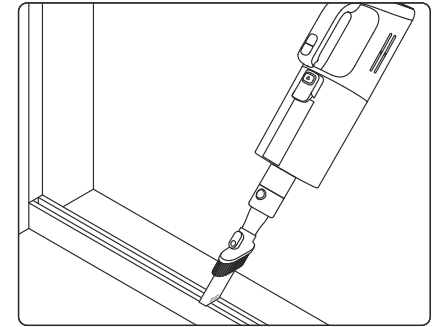
Multi-Surface Brush: Multi-Surface Brush: Suitable for vacuuming on the med/low pile carpets, tiles and floors.



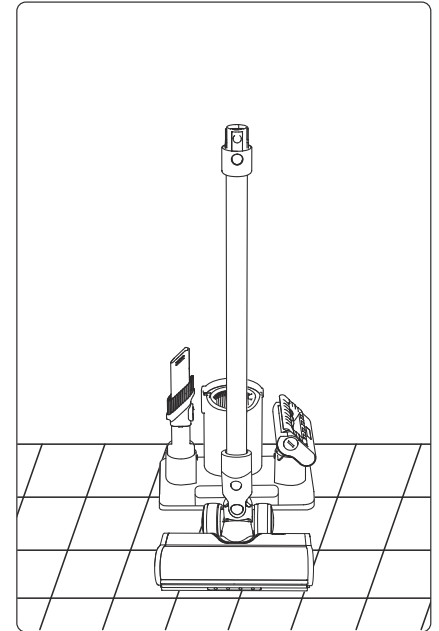
Motorized Mini-Brush: Suitable for removing dust, pet hair, and deep-seated dirt from sofas, bedding, and other fabrics.



Combination Tool: Suitable for cleaning corners of doors, windows, walls, stairs, narrow gaps, as well as dust on sofas, tabletops.



Accessory Storage Mount: When not in use, the vacuum attachments can be placed on the accessory storage mount as shown in the diagram.



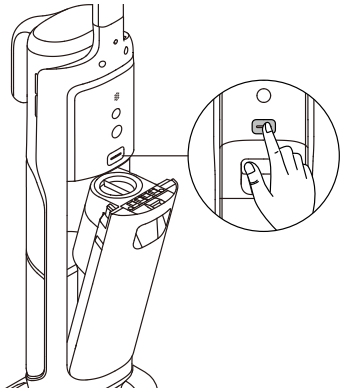
Note: Do not place the Handvac main body on the accessory storage mount to prevent damage from falling.

Tips:

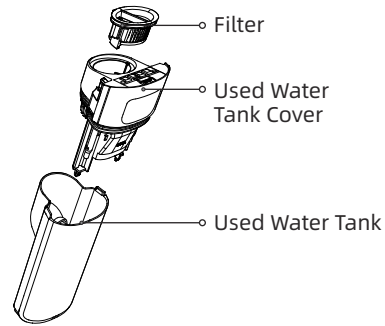
- Turn off the appliance before maintenance. Do not touch the power switch.
- Replace parts if needed. The parts must be replaced by those available from the manufacturer or its service agent.
- If the appliance is not used for an extended period, fully charge it, unplug the power plug, and store the appliance in a cool, low-humidity environment away from direct sunlight. To avoid over-discharge of the battery, charge the appliance at least once every 3 months.

Cleaning the Used Water Tank

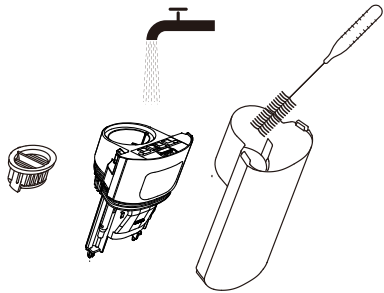
1. Press the Used Water Tank release button to remove the tank.



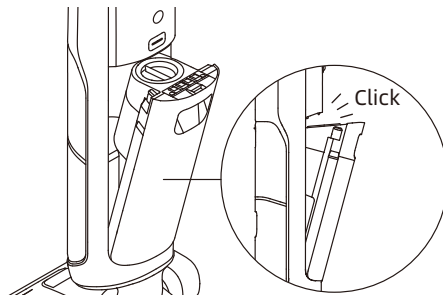
2. Press the Used Water Tank cover release buttons to remove the tank cover. Remove the filter from the Used Water Tank cover.



3. Use the provided cleaning brush to clean the inner walls of the tank.



4. Re-install the filter and the Used Water Tank cover. Then re-install the Used Water Tank until you hear a click.



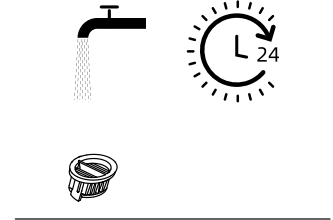
Note: It is recommended to clean the Used Water Tank in time after each use, as well as before and after the self-cleaning.

Cleaning the Filter

1. Remove the filter and gently knock off the floating dust on the surface.



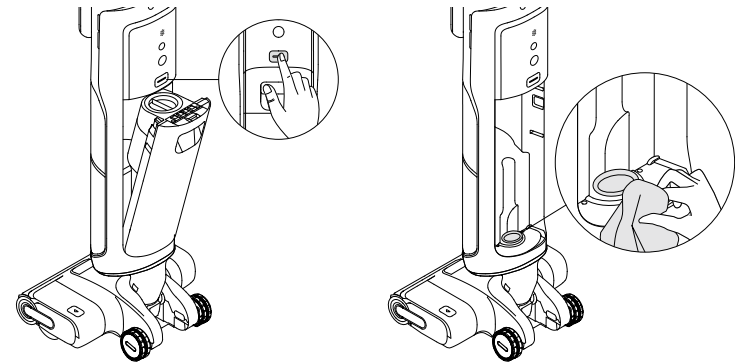
2. When the filter is dirty and needs washing, rinse it with water. It must be completely dry before use.



Note: Replacing the filter every 3 to 6 months is recommended.

Cleaning the Tube and the Dirt Sensor

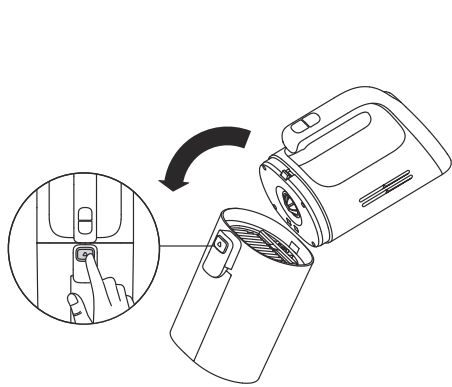
Remove the Used Water Tank. Wipe the tube and the dirt sensor with a wet cloth before use.



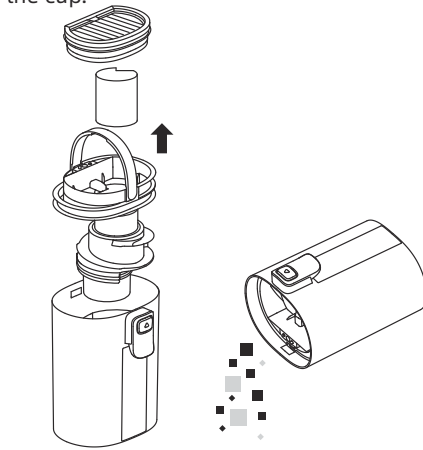
Note: Do not rinse the tube or the dirt sensor.

Cleaning the Dust Cup Assembly

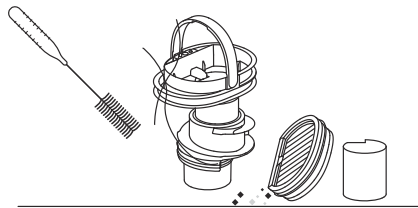
1. Press the dust cup release button and remove the cup.



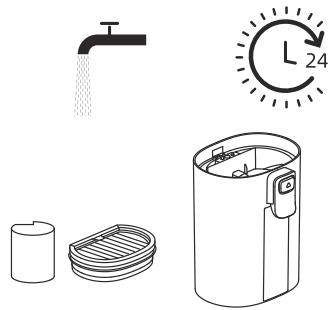
2. Take out the filter and the cyclone assembly from the dust cup, then empty the cup.



3. Tap the filter gently or clean it with the cleaning brush. Rinse the filter and the dust cup with water.

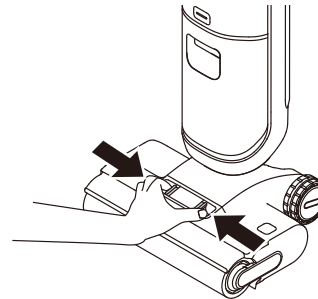


4. Rinse the filter and dust cup with clean water until clean. It must be completely dry before use.

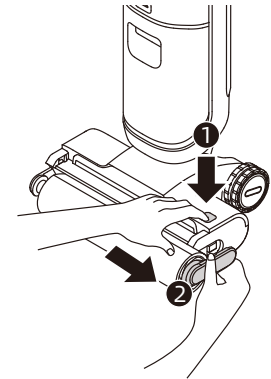


Cleaning the Brush Assembly

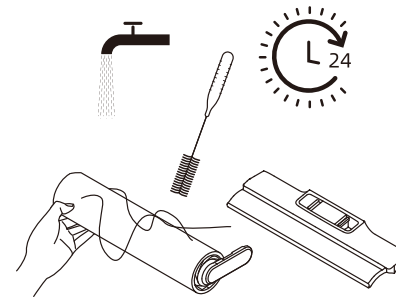
1. Press the brush roller cover release buttons to remove the brush roller cover.



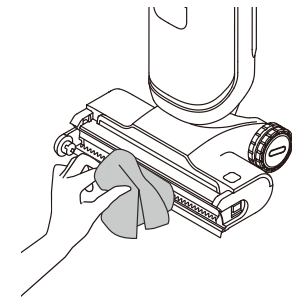
2. Press the brush roller release button and pull the handle to take out the brush roller.



3. Clear any hair and debris caught on the brush roller with the provided cleaning brush. Rinse the brush roller and the cover with clean water and dry it completely.



4. Wipe the suction inlet with a dry cloth or wet tissue. Re-install the brush roller and the brush roller cover until you hear a click.

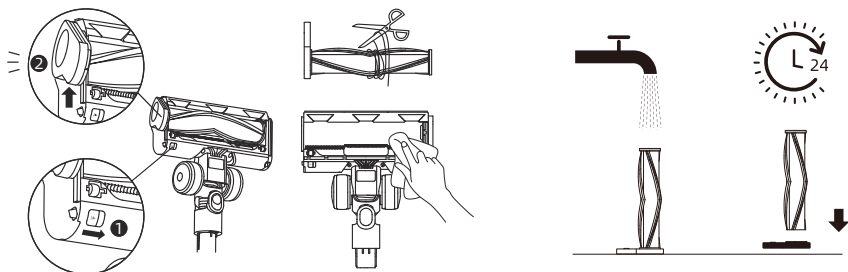


Note:

- Do not rinse the brush assembly with water.
- Clean as needed. Replacing the brush roller every 3 to 6 months is recommended.

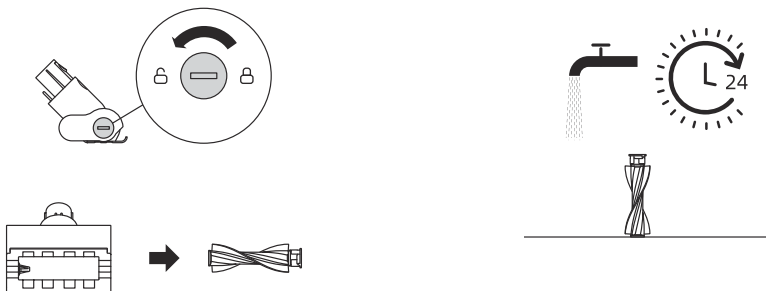
Cleaning the Multi-Surface Brush

1. Turn the lock counterclockwise until it stops, then remove the roller from the roller brush.
2. Use scissors to cut off the hairs and fibers that get stuck on the brush roller. Wipe the dust from the notch and transparent cover with a dry cloth or paper towel. Thoroughly dry before use.
3. When it is dirty, rinse the brush roller with clean water until it is clean.
4. Stand the brush roller upright for at least 24 hours until it is fully dry.
5. When replacing the roller brush, first remove the roller brush handle, then install the new roller brush and press it firmly into place.



Cleaning the Motorized Mini-Brush

1. Use a coin as illustrated to rotate the lock counterclockwise, and remove the brush roller until you hear a click.
2. When it is dirty, rinse the brush roller with clean water. Stand the brush roller upright until it is fully dry.






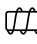


Troubleshooting

If an error occurs, the appliance will stop working. Please refer to the following table for troubleshooting. If the problem persists, please contact the customer service.

Error	Possible Cause	Solution
The appliance does not work.	The appliance is out of battery or its battery level is low.	Fully charge its battery before use.
	The appliance is in the upright position.	Recline the appliance backwards.
	Blockage activated overheat protection mode.	Clear the blockage and wait until the temperature returns normal.
	The Used Water Tank is full.	Empty the Used Water Tank.
	The parts are not installed in place.	Ensure all parts are all properly in place.
The appliance charges slowly.	The temperature of the battery is too low or too high.	Wait until the battery's temperature returns normal.
The suction power of the appliance is weak.	The filter is clogged.	Clean the filter.
	The suction inlet or tube is blocked by a foreign object.	Clean the tube and the suction inlet.
The motor is making a strange noise.	There is too much dirty water in the Used Water Tank.	Empty the Used Water Tank.
	The suction inlet is blocked.	Clear any blockage in the suction inlet.
The battery level indicator on the display screen does not light up while charging.	The charging base plug is not inserted into the electrical outlet properly.	Make sure the charging base plug is inserted in place.
	The appliance is not placed onto the charging base properly.	Make sure the appliance is placed onto the charging base properly.
No water is coming out of the appliance.	The Clean Water Tank is not properly installed in place, or the water in the Clean Water Tank is insufficient.	Re-install or fill the Clean Water Tank.
	It takes 30 seconds to dampen the brush roller.	Turn on the appliance and check again after a while.
The vent leaks water.	A collision or a sharp pull causes water to enter the motor.	Move the appliance gently back and forth while it is turned on.
	The filter is not completely dry after being cleaned.	Dry the filter completely before use.

Self-cleaning fails.	The brush roller may be jammed by large debris.	Remove the brush roller cover to check and clean the brush roller.
	The appliance is not placed onto the charging base properly.	Make sure the appliance is being charged before enabling the self-cleaning function.
	Self-cleaning cannot be enabled if the battery level is lower than 15%.	Self-cleaning can only be enabled while the appliance is being charged and the battery level is more than 15%
	The Used Water Tank is not installed in place, or the Used Water Tank is full.	Re-install or empty the Used Water Tank.
	The Clean Water Tank is not installed in place, or the water in the Clean Water Tank is insufficient.	Re-install or fill the Clean Water Tank.
Poor drying performance.	The air outlet and air inlet of the charging base may be blocked.	Check and clear the blockage of air outlet and air inlet

If the appliance is not working properly, the screen display will show an error message. Please refer to the below table to find your solution.

Error Icon	Possible Cause	Solution
	Insufficient water in the Clean Water Tank	Fill the Clean Water Tank.
	Used Water Tank not installed	Install the Used Water Tank.
	Used Water Tank full	Empty the Used Water Tank.
	Used Water Tank blocked	Clean the Used Water Tank.
	Blocked tube	Refer to the Care & Maintenance section to clean the tube and dirt sensor.
	Roller brush stuck	Clean the brush roller.
	The roller brush and tube are dirty	Place the appliance back onto the base for self-cleaning.
	Insufficient cleaning solution	Please refill the cleaning solution box.

Error Code	Possible Cause	Solution
E1-E7	Error	Restart the appliance for troubleshooting. If the problem persists, please contact customer service.
F1-F6		
H1-H6		
H7	Battery overheating	Wait until the battery's temperature returns normal, then continue to use the appliance.

Wet and Dry Vacuum Floor Washer			
Model	HHV25B	Rated Power	380 W
Rated Voltage	21.6 V ===	Charging Voltage	27 V ===
Clean Water Tank Capacity	880 mL	Used Water Tank Capacity	650 mL
Charging Time	Approx. 4 hours		
Operation Frequency	2400~2483.5 MHz	Maximum Output Power	< 20 dBm
Charging Base			
Model	HCBM	Rated Power Input*	345 W
Rated Input	220-240 V~ 50-60 Hz	Rated Output	27 V === 1.6 A
Motorized Cleaning Head			
Model	HCR9		
Rated Power	100 W	Rated Voltage	21.6 V ===

Under normal use of condition, this equipment should be kept a separation distance of at least 20cm between the antenna and the body of the user.

* The rated power refers to the power of the charging base when operating in quickly drying mode.

Power consumption in standby mode: ≤0.5W (within 15 minutes after the vacuum removed from the Charging Base)

Power consumption in standby mode: ≤0.5W (within 15 minutes after the appliance is fully charged)

Power consumption in network standby mode: ≤2W (within 15 minutes after the appliance is fully charged)

Bitte lesen Sie dieses Handbuch vor der Verwendung sorgfältig durch und bewahren Sie es zum späteren Nachschlagen auf.

Bei der Verwendung eines elektrischen Geräts sollten immer grundlegende Vorsichtsmaßnahmen beachtet werden, einschließlich der folgenden:

LESEN SIE VOR DEM GEBRAUCH (DIESES GERÄTS) ALLE ANWEISUNGEN. Die Nichtbeachtung der Warnhinweise und Anweisungen kann zu einem Stromschlag, Brand und/oder schweren Verletzungen führen.

WARNUNG – Um die Gefahr von Bränden, Stromschlägen oder Verletzungen zu verringern:

Nutzungsbeschränkungen

- Um einen sicheren Betrieb zu gewährleisten und Risiken zu vermeiden, darf dieses Produkt nicht von Kindern unter 8 Jahren, von Personen mit körperlichen, sensorischen oder geistigen Einschränkungen oder von Personen mit mangelnden Kenntnissen ohne Aufsicht eines Elternteils oder Vormunds verwendet werden. Kinder dürfen die Reinigung und Wartung nicht ohne Aufsicht durchführen.
- Kunststoffolie kann gefährlich sein. Um die Gefahr des Erstickens zu vermeiden, halten Sie sie von Kindern fern. Kinder dürfen nicht mit dem Gerät spielen.
- Verwenden Sie das Gerät nur in Innenräumen, auf nicht mit Teppichboden versehenen Böden wie Vinyl, Fliesen, versiegeltem Holz usw. Achten Sie darauf, nicht über lose Gegenstände oder Kanten von Teppichen zu fahren. Ein Abwürgen der Bürste kann zu einem vorzeitigen Ausfall des Riemens führen.
- Verwenden Sie das Gerät nur wie in dieser Bedienungsanleitung beschrieben. Verwenden Sie nur das vom Hersteller empfohlene Zubehör.
- Setzen Sie das Gerät keinem Feuer oder übermäßigen Temperaturen aus. Die Exposition gegenüber Feuer oder übermäßiger Temperatur kann eine Explosion verursachen.
- Nicht in extrem heißen oder kalten Umgebungen verwenden (unter 5 °C/41 °F oder über 40 °C/104 °F). Bitte laden Sie das Gerät bei Temperaturen über 5 °C/41 °F und unter 40 °C/104 °F auf.
- Tauchen Sie das Gerät nicht in Flüssigkeit.
- Dieses Gerät darf nicht verwendet, um brennbare oder leicht entzündliche Flüssigkeiten wie Benzin aufzunehmen. Dieses Gerät darf nicht in Bereichen verwendet werden, in denen brennbare oder leicht entzündliche Flüssigkeiten vorhanden sein können.
- Setzen Sie kein Objekt in die Öffnungen. Verwenden Sie das Gerät nicht, wenn die Öffnung blockiert ist. Halten Sie sich frei von Staub, Fusseln, Haaren und allem, was den Luftstrom behindern kann.
- Nehmen Sie kein giftiges Material auf (Chlorbleiche, Ammoniak, Abflussreiniger usw.). Heben Sie keine harten oder scharfen Gegenstände wie Glas, Nägel, Schrauben, Münzen usw. auf.
- Verwenden Sie das Gerät nicht in einem geschlossenen Raum, der mit Dämpfen gefüllt ist, die von ölhaltigen Farben, Farbverdünnern, einigen Mottenschutzmitteln, brennbarem Staub oder anderen explosiven oder giftigen Dämpfen abgegeben werden. Nehmen Sie keine brennenden oder rauchenden Gegenstände auf, wie z. B. Zigaretten, Streichhölzer oder heiße Asche.
- Verwenden Sie es nicht ohne eingesetzte Filter.
- Halten Sie Haare, lose Kleidung, Finger und alle Körperteile von den Öffnungen und beweglichen Teilen des Geräts und seines Zubehörs fern.
- Halten Sie Erdungskabel vom Gerät fern, da eine Gefahr auftreten kann, wenn das Gerät in Betrieb über ein Netzkabel läuft.
- Gehen Sie bei der Reinigung auf Treppen besonders vorsichtig vor.

Wichtige Sicherheitshinweise


Wartung und Lagerung

- Verhindern Sie ein unbeabsichtigtes Starten. Vergewissern Sie sich, dass der Schalter in der AUS-Stellung ist, bevor Sie das Gerät in die Hand nehmen oder tragen. Das Tragen des Geräts mit dem Finger auf dem Schalter oder auf dem stromführenden Gerät, das den Schalter eingeschaltet hat, trägt zu Unfällen bei.
- Stellen Sie sicher, dass das Gerät auf einer horizontalen Fläche steht. Verwenden Sie das Gerät nicht an der gleichen Stelle, wenn das Gerät mit einer Rollenbürste ausgestattet ist und der Griff nicht vollständig aufrecht steht. Lagern Sie das Gerät nicht an einem Ort, an dem es einfrieren kann.
- Schalten Sie das Gerät bei Nichtgebrauch vor dem Reinigen, Warten aus, oder bevor Sie es mit einer beweglichen Bürste anschließen oder trennen.
- Verwenden Sie kein Gerät, das beschädigt oder modifiziert ist. Beschädigte oder modifizierte Batterien können ein unvorhersehbares Verhalten zeigen, was zu Feuer, Explosion oder Verletzungsgefahr führen kann.
- Verändern Sie das Gerät nicht und versuchen Sie nicht, es zu reparieren, es sei denn, dies ist in der Gebrauchs- und Pflegeanleitung angegeben.
- Verwenden Sie das Gerät nicht mit einem beschädigten Aufsatz (z. B. Ladestation, Ladekabel usw.). Sollte das Gerät oder das Zubehörteil heruntergefallen sein, beschädigt worden sein, im Freien gelassen worden sein, ins Wasser gefallen sein oder nicht ordnungsgemäß funktionieren, versuchen Sie niemals, das Gerät zu benutzen. Lassen Sie das Gerät von einem autorisierten Servicecenter reparieren.
- Lassen Sie die Wartung von einer qualifizierten Reparaturkraft durchführen, die nur identische Ersatzteile verwendet. Dadurch wird sichergestellt, dass die Sicherheit des Produkts erhalten bleibt.
- Wenn das Netzkabel beschädigt ist, muss es durch den Hersteller, seinen Kundendienst oder ähnlich qualifizierte Fachkräfte ersetzt werden, um eine Gefährdung zu vermeiden.

Akku und Aufladen

- Zum Aufladen des Gerätes nur die mitgelieferte Ladestation verwenden. Nur mit HCBM-Ladestation verwenden.
- Befolgen Sie alle Ladeanweisungen und laden Sie das Gerät nicht außerhalb des in der Batterie angegebenen Temperaturbereichs auf, da dies die Brandgefahr erhöht.
- Die Ladestation ist mit einer Trocknungsfunktion ausgestattet und nur zum Trocknen der Bürste dieses Geräts geeignet.
- Halten Sie die Ladestation von beheizten Oberflächen fern. Fassen Sie den Stecker der Ladestation oder das Gerät nicht mit nassen Händen. Um den Netzstecker zu ziehen, greifen Sie nach dem Stecker der Ladestation und nicht nach dem Kabel.
- Ziehen oder tragen Sie die Ladestation nicht am Kabel, verwenden Sie das Kabel nicht als Griff, schließen Sie die Tür des Kabels und ziehen Sie das Kabel nicht über scharfe Kanten oder Ecken.
- Benutzen Sie keine nicht wiederaufladbaren Batterien. Bei Nichtbeachtung besteht Brandgefahr für den Lithium-Ionen-Akku. Dieses Produkt enthält Batterien, die nur durch qualifizierte Techniker oder Kundendienst ersetzt werden können.
- Der Lithium-On-Akku enthält umweltgefährdende Substanzen. Bevor Sie das Gerät entsorgen, entfernen Sie bitte zuerst den Batteriesatz, dann werfen Sie ihn oder recyceln Sie ihn gemäß den lokalen Gesetzen und Vorschriften des Landes oder der Region, in dem er verwendet wird.
- Das Gerät muss beim Entfernen der Batterie vom Netzteil getrennt werden. Batterien außerhalb der Reichweite von Kindern aufbewahren. Nehmen Sie Batterien niemals in den Mund. Im Falle des Verschluckens wenden Sie sich an Ihren Arzt oder die örtliche Giftnotrufzentrale.

Wichtige Sicherheitshinweise

- Kommen Sie unter missbräuchlichen Bedingungen niemals die Batterie in Berührung, aus der die Flüssigkeit ausgeworfen wird. Wenn die Berührung versehentlich auftritt, spülen Sie mit Wasser ab. Wenn die Flüssigkeit mit den Augen in Berührung kommt, suchen Sie sofort ärztliche Hilfe auf. Die aus der Batterie ausgestoßene Flüssigkeit kann Reizungen oder Verbrennungen verursachen.
- Die Ladestation eignet sich zum Aufladen des 6-Zellen-Akkupacks mit 5000 mAh. Diese Ladestation sollte nicht zum Laden von nicht wiederaufladbaren Batterien verwendet werden. Bei Nichtbeachtung besteht Brandgefahr für den Lithium-Ionen-Akku.
- Die Ladestation ist mit einem -Symbol gekennzeichnet, das angibt: „Vorsicht: Heiße Oberfläche.“ Berühren Sie während der Selbstreinigung mit heißem Wasser nicht die Walzenbürste, das heiße Wasser oder das Heizmodul der Ladestation.

Symbole



Nur für den Innenbereich geeignet



Bedienungsanleitung lesen



Achtung: Heiße Oberfläche



Motorisierter Reinigungskopf für Wasser Saugreinigung



Abnehmbares Netzteil



WEEE-Informationen

Alle mit diesem Symbol gekennzeichneten Produkte sind Elektroschrott und Elektrogeräte (WEEE entsprechend EU-Richtlinie 2012/19/EU) und dürfen nicht mit unsortiertem Haushaltsmüll vermisch werden. Schützen Sie stattdessen Ihre Mitmenschen und die Umwelt, indem Sie Ihre zu entsorgenden Geräte an eine dafür vorgesehene, von der Regierung oder einer lokalen Behörde eingerichtete Sammelstelle zum Recycling von Elektroschrott und Elektrogeräten bringen. Eine ordnungsgemäße Entsorgung und Recycling helfen, negative Auswirkungen auf die Gesundheit von Umwelt und Menschen zu vermeiden. Wenden Sie sich bitte an den Installateur oder lokale Behörden, um Informationen zum Standort und den allgemeinen Geschäftsbedingungen solcher Sammelstellen zu erhalten.

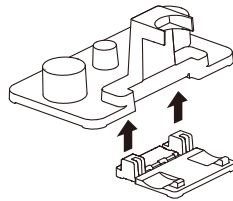
Wir, Dreame Trading (Tianjin) Co., Ltd., bestätigen hiermit, dass dieses Gerät mit den geltenden Verordnungen und europäischen Normen sowie etwaigen Ergänzungen in Einklang steht. Der vollständige Wortlaut der EU-Konformitätserklärung ist unter der folgenden Internetadresse abrufbar: <https://global.dreametech.com>

Ein detailliertes elektronisches Handbuch finden Sie unter <https://global.dreametech.com/pages/user-manuals-and-faqs>

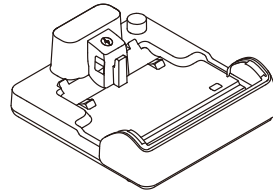
Lieferumfang



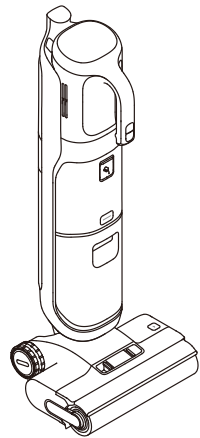
Handgriff



Wandhalterung für
Zubehör



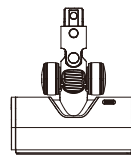
Ladestation



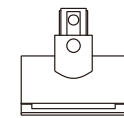
Hauptteil



Verlängerungsstange



Multiflächen-
Bürste



Motorisierte Mini-
Bürste



Reinigungsbürste



Ersatzfilter



Staubbehälter-
verbundteile

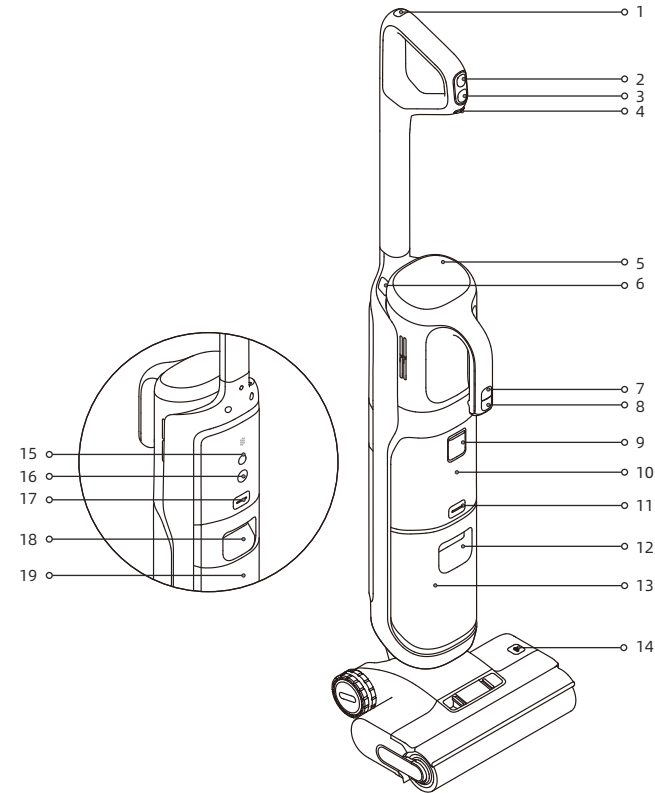


Ersatz-
Rollenbürste



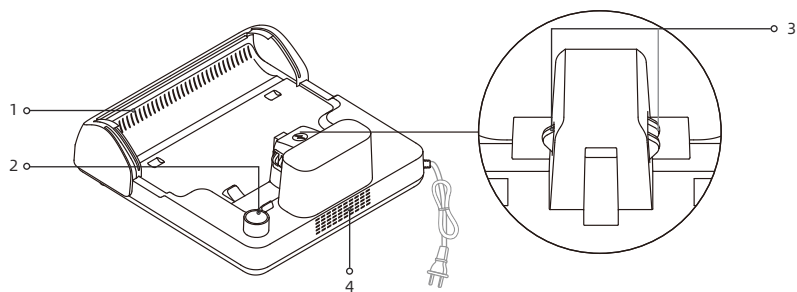
Kombi-Aufsatz

Nass- und Trockensauger



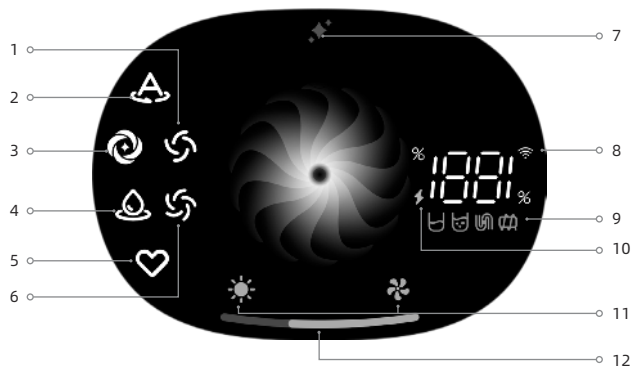
- | | | |
|--|---|--|
| 1. Selbstreinigungstaste | 8. Handstaubsauger-Netzschalter | 15. Sprachansage-/WLAN-Taste |
| 2. Modusschalter | 9. Anschluss Reinigungs-lösung | <ul style="list-style-type: none"> • Kurz drücken, um die Sprachansage zu aktivieren oder die Lautstärke einzustellen • Drücken und halten Sie die Taste, um die WLAN-Konfiguration zu starten/stoppen |
| 3. Netzschalter | 10. Reinigungslösungsbe-hälter | 16. Omnidirektionales Rad |
| 4. Schalter für automatische Verteilung
Schalter für automatische Verteilung ein-/ausschalten
Nach dem Einschalten leuchtet die Anzeige für die Reinigungslösung auf | 11. Entriegelungstaste für den Frischwasserbehälter | 17. Entriegelungstaste für Schmutzwasserbe-hälter |
| 5. Display | 12. Griff für Frischwasser-behälter | 18. Griff für Schmutzwasser-behälter |
| 6. Handstaubsauger-Entriegelungstaste | 13. Frischwasserbehälter | 19. Schmutzwasserbehälter |
| 7. Handstaubsauger-Modusschalter | 14. Entriegelungstaste für Bürstenrolle | |

Ladestation



- 1. Trocknungsluftauslass
- 2. Zubehörsteckplatz
- 3. Ladekontakte
- 4. Trocknungslufteinlass

Display

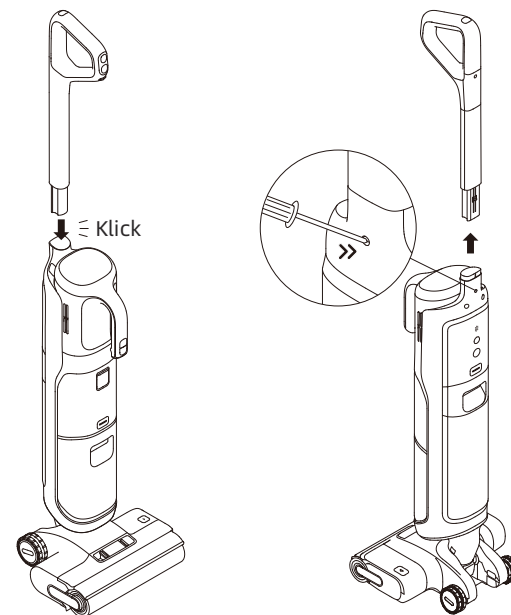


- 1. Handstaubsauger-Standardmodus
- 2. Auto-Modus
- 3. Turbomodus
- 4. Saugmodus
- 5. Benutzerdefinierter Modus
- 6. Handstaubsauger-Turbomodus
- 7. Reinigungslösung-Statusanzeige
 - Leuchtet permanent: Automatische Verteilung einschalten
 - Blinkt: Zu wenig Reinigungslösung
- 8. WLAN-Anzeige
- 9. Fehlermeldungen
- 10. Lade-/Akkustandsanzeige
- 11. Trocknungsmodus
 - Wenn der Trocknungsmodus aktiviert ist, leuchten die beiden Symbole * und * auf.
- 12. Staubkonzentrationsanzeige/Trocknungsvorgangsanzeige
 - Die Farbe der Anzeige ändert sich in Echtzeit je nach Verschmutzungsgrad, wenn das Gerät in Betrieb ist.
 - Der Indikator zeigt den Trocknungsvorgang an.

Hinweis: Wenn das Gerät nicht ordnungsgemäß funktioniert, wird auf dem Display eine Fehlermeldung oder ein Fehlercode angezeigt. Bitte sehen Sie in der Fehlermeldungs- und Lösungstabelle nach, um eine Lösung zu finden.

Installation des Griffs

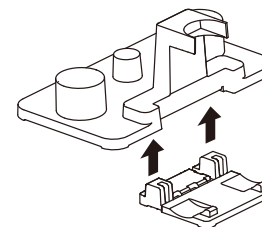
Fügen Sie das Ende der Griffbaugruppe senkrecht in die Öffnung auf der Oberseite des Geräts ein, wie angegeben, Sie werden ein Einrasten spüren.

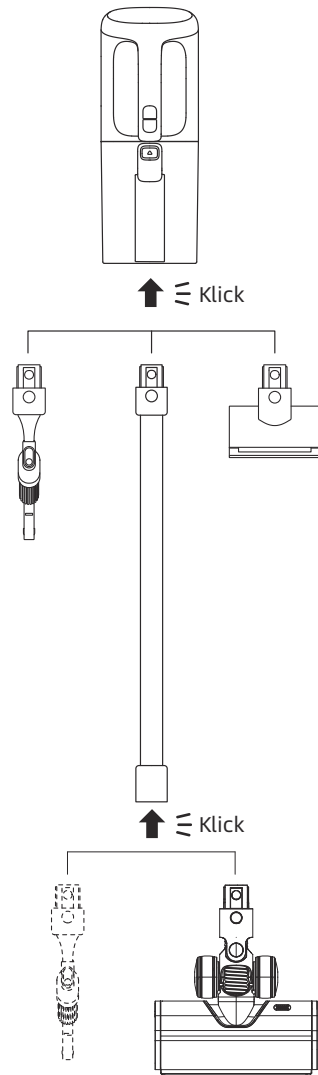


Hinweis: Zum Auseinanderbauen führen Sie einen harten Gegenstand wie angegeben in die Öffnung des Geräts ein, um die Kontakte einzudrücken, und ziehen Sie gleichzeitig den Griff nach oben.

Montage der Zubehöralterung

Setzen Sie die Erweiterungsplatte in die vordere Unterseite der Wandhalterung für Zubehör ein.



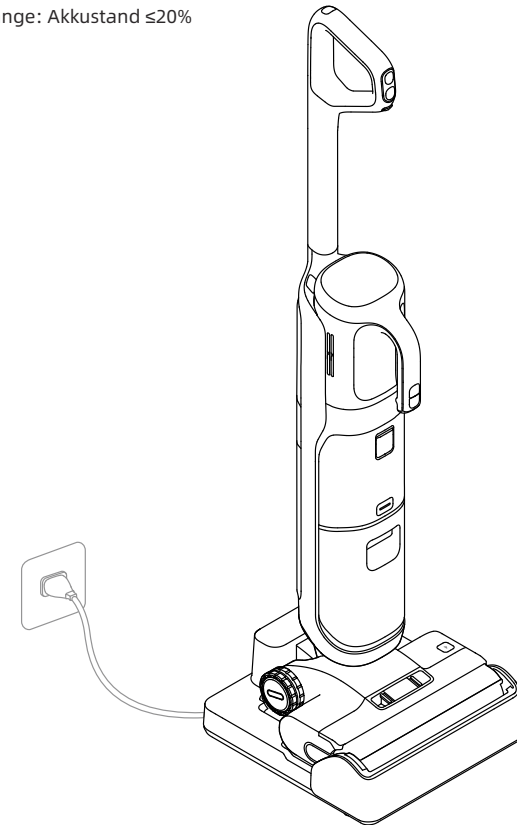
Installation von Handstaubsauger-Aufsätzen

Hinweis: Die motorbetriebene Minibürste sollte nicht mit der Verlängerungsstange verwendet werden.

1. Stellen Sie die Ladestation gegen eine Wand auf den Boden und schließen Sie sie an eine Stromquelle an. Laden Sie das Gerät vor dem ersten Gebrauch vollständig auf.
2. Stellen Sie das Gerät auf die Ladestation. Wenn die Zahl auf dem Display 100 erreicht, ist der Akku vollständig geladen.

⚡ Lade-/Akkustandsanzeige

- Leicht Orange: Akkustand $\leq 20\%$ (Aufladen)
- Leicht Grün: Akkustand $> 20\%$ (Aufladen)
- Dauerhaft grün: Voll aufgeladen
- Leuchtet orange: Akkustand $\leq 20\%$

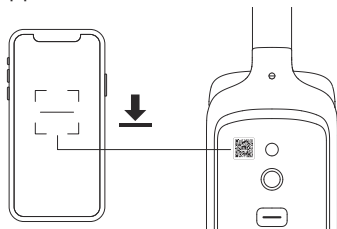
**Hinweis:**

- Laden Sie das Gerät vor dem ersten Gebrauch vollständig auf.
- Wenn innerhalb von 10 Minuten nach dem vollständigen Aufladen kein Betrieb erfolgt, wechselt der Staubsauger in den Ruhemodus. Bitte starten Sie das Gerät neu, wenn Sie es wieder benutzen möchten.
- Um die Lebensdauer des Akkus zu verlängern, kühlt sich der Akku nach längerem Gerätebetrieb automatisch ab.

Verbinden mit der „Dreamehome“ App

1. Laden Sie die Dreamehome App herunter

Scannen Sie den QR-Code auf dem Gerät oder suchen Sie im App-Store nach „Dreamehome“, um die App herunterzuladen und zu installieren.

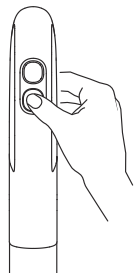


Hinweis:

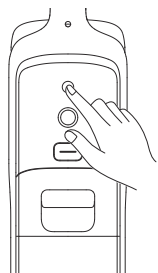
- Es wird nur 2,4-GHz-WLAN unterstützt.
- Aufgrund von Aktualisierungen der App-Software kann der tatsächliche Betrieb von den Anweisungen in dieser Anleitung abweichen. Bitte folgen Sie den auf der aktuellen App-Version basierenden Anweisungen.

2. Gerät hinzufügen

- 1 Drücken Sie kurz den Ein-/Ausschalter, um das Gerät einzuschalten.



- 2 Halten Sie die Sprachansage-/WLAN-Taste auf der Rückseite des Geräts gedrückt, um die WLAN-Verbindung einzurichten. Die WLAN-Anzeige leuchtet pulsierend in Weiß, und die Sprachansage lautet: „Warten auf die Netzwerkkonfiguration“.



- 3 Öffnen Sie die Dreamehome-App und scannen Sie denselben QR-Code auf dem Gerät erneut, um das Gerät hinzuzufügen. Bitte folgen Sie den Anweisungen, um die WLAN-Verbindung herzustellen.



WLAN-Anzeige

- Leicht: Verbindung wird hergestellt
- Blinkt: Verbinden/OTA-Aktualisierung
- Ein: Verbunden

Hinweis: Das Gerät beendet die Netzwerkverbindung, wenn es 10 Minuten lang nicht bedient wird oder wenn die Netzwerkverbindung fehlschlägt. Zum Zurücksetzen von WLAN wiederholen Sie bitte die obigen Schritte und schließen Sie die Verbindung gemäß den Aufforderungen in der App ab.

Halten Sie nach dem Abschluss der WLAN-Einrichtung die Sprachsteuerung-/WLAN-Taste gedrückt, um die Netzwerkverbindung zu deaktivieren. Erneut gedrückt halten, um die Verbindung zum WLAN wiederherzustellen.

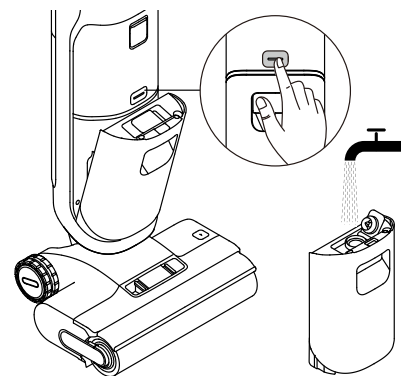
Werkseinstellungen wiederherstellen

Halten Sie die Sprachansage-/WLAN-Taste und die Selbstreinigungs-Taste 3 Sekunden lang gedrückt, um die Werkseinstellungen wiederherzustellen.

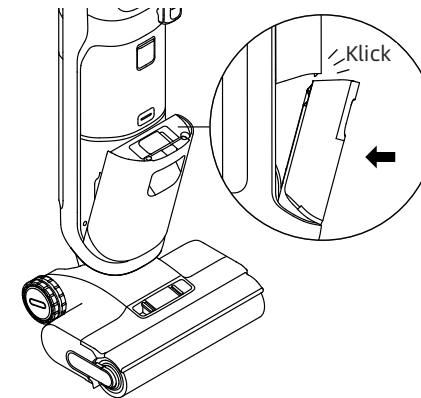
Benutzung

Befüllen des Frischwasserbehälters

1. Drücken Sie die Entriegelungstaste für den Frischwasserbehälter, um den Behälter zu entnehmen. Öffnen Sie den Behälterdeckel und füllen Sie den Behälter mit sauberem Wasser.

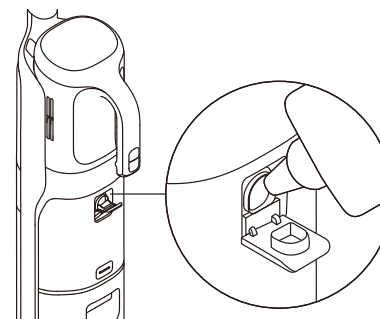


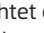
2. Setzen Sie den Frischwasserbehälter ein und achten Sie darauf, dass er einrastet.

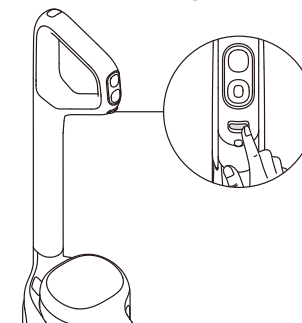


Reinigungslösung einfüllen


1. Öffnen Sie den Deckel des Reinigungslösungsbehälters, füllen Sie ihn mit der Reinigungslösung und schließen Sie den Deckel wieder fest.



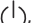
2. Schalten Sie den Schalter für automatische Verteilung ein, dann leuchtet die Anzeige  auf. Das Gerät passt das Verhältnis von Reinigungslösung und Wasser intelligent an die Verschmutzung des Bodens an, um den Boden effizient zu reinigen.

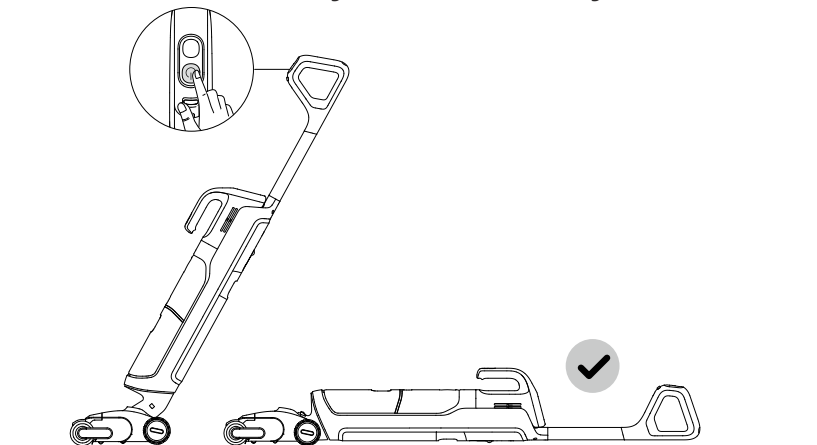


Hinweis:

- Bitte geben Sie die Reinigungslösung während des Betriebs direkt in den Reinigungslösungsbehälter. Das Gerät passt das Verdünnungsverhältnis entsprechend den App-Einstellungen und dem Verschmutzungsgrad an.
- Füllen Sie keine anderen Flüssigkeiten als die offiziell zugelassene Reinigungslösung einzu. Die Reinigungslösung ist im offiziellen Online-Store erhältlich.
- Die Anzeige  blinkt, wenn die Reinigungslösung aufgebraucht ist. Bitte füllen Sie rechtzeitig Reinigungslösung nach.
- Wenn die Reinigungslösung vorübergehend nicht verwendet wird, schalten Sie bitte den Schalter für automatische Verteilung aus.
- Bei der ersten Inbetriebnahme befindet sich das Gerät standardmäßig im Automatikmodus. Bei der weiteren Verwendung wird beim Start automatisch der zuletzt verwendete Modus aktiviert.

Reinigung wird gestartet

Treten Sie vorsichtig auf die Bürstenabdeckung und kippen Sie das Gerät nach hinten. Drücken Sie den Ein-/Ausschalter , um den Betrieb zu starten/stoppen. Wenn sich das Gerät während der Arbeit in aufrechter Position befindet, wird die aktuelle Aufgabe unterbrochen. Das Gerät ist so konstruiert, dass es in einem 180-Grad-Winkel flach liegt, sodass es auch unter flachen Möbeln gut erreicht und dort reinigen kann.



Hinweis:

- Nicht zum Saugen von schäumenden Flüssigkeiten verwenden.
- Vergewissern Sie sich, dass sich das Gerät in aufrechter Position befindet, bevor Sie den Strom ausschalten, während das Gerät flach liegt.
- Das Gerät eignet sich zur Reinigung von Böden, Marmor, Fliesen und anderen harten Oberflächen.
- Wenn das Gerät in Betrieb ist, sollte es nicht vom Boden angehoben, bewegt oder gekippt werden. Andernfalls kann das Schmutzwasser in den Motor fließen.
- Die LED-Beleuchtungsfunktion ist standardmäßig aktiviert und leuchtet nur während der Bodenreinigung auf. Diese Funktion kann über die App deaktiviert werden.
- Bei der ersten Inbetriebnahme befindet sich das Gerät standardmäßig im Automatikmodus. Bei der weiteren Verwendung wird beim Start automatisch der zuletzt verwendete Modus aktiviert.

Wechseln des Modus

Drücken Sie den Modusschalter , um den Modus nach Ihren Wünschen zu wechseln.



Auto-Modus

Das Gerät passt die Saugkraft intelligent an die Bodenverschmutzung an.



Turbomodus

Maximale Saugleistung und erhöhter Wasserdurchfluss für hartnäckige Flecken auf Hartböden.



Saugmodus

Saugt eine große Menge Wasser vom Boden auf.

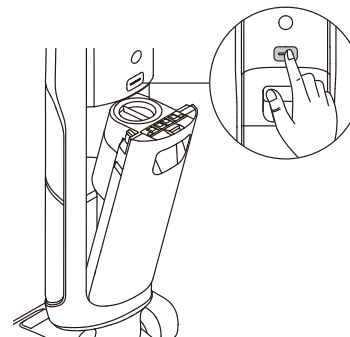


Benutzerdefinierter Modus

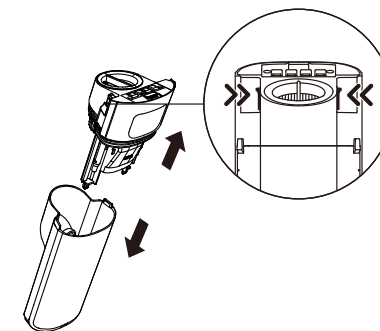
Saugleistung, Wassermenge usw. können über die APP eingestellt werden. Der Hauptteil des Geräts wird entsprechend den Einstellungen in der APP in Betrieb genommen.

Entleeren des Schmutzwasserbehälters

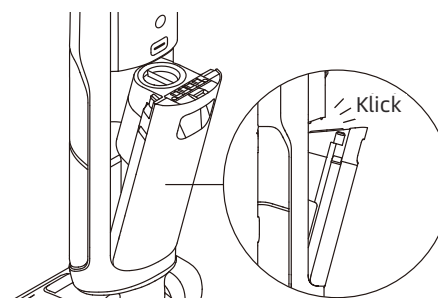
1. Drücken Sie die Entriegelungstaste für den Schmutzwasserbehälter, um den Behälter herauszunehmen.





2. Drücken Sie die Entriegelungstasten für die Schmutzwasserbehälterabdeckung, um die Behälterabdeckung zu entfernen. Gießen Sie das verschmutzte Wasser aus.

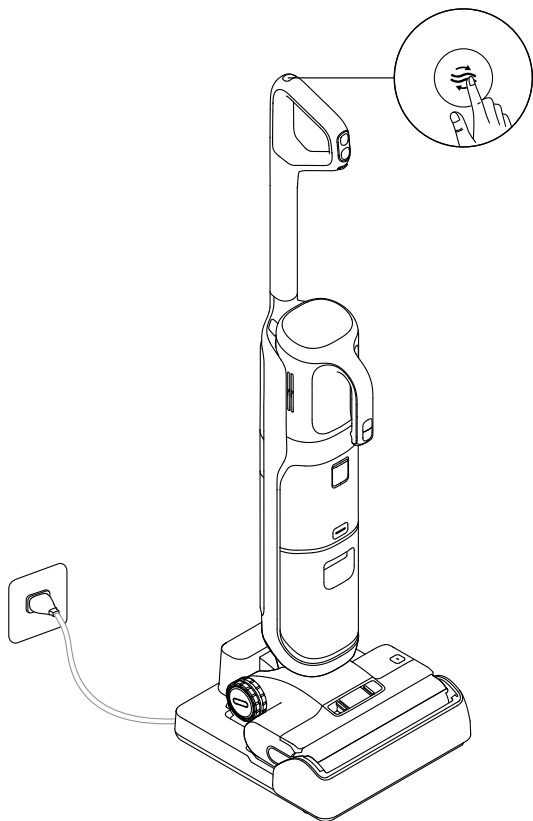


3. Setzen Sie den Schmutzwasserbehälter wieder ein, bis Sie ein Klickgeräusch hören.



Selbstreinigung mit Heißwasser und Trocknungsmodus

1. Setzen Sie das Gerät wieder auf die Basis. Stellen Sie sicher, dass der Wasserstand im Frischwasserbehälter für die Selbstreinigung ausreichend ist.
2. Drücken Sie kurz die Selbstreinigungstaste  oben am Griff, um die Selbstreinigung zu starten/ zu stoppen.
3. Entleeren Sie den Schmutzwasserbehälter, nachdem die Selbstreinigung abgeschlossen und der Trocknungsmodus aktiviert wurde. Drücken Sie die Taste , um den Trocknungsmodus zu verlassen.
4. Halten Sie die Selbstreinigungstaste gedrückt, um die Einstellungen für den Trocknungsmodus aufzurufen und den Standardtrocknungsmodus auszuwählen.

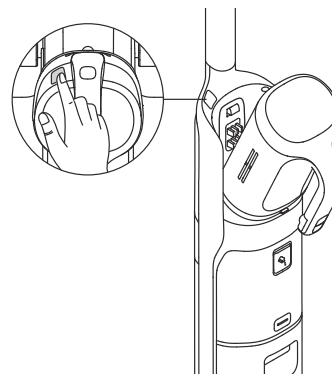


Hinweis:

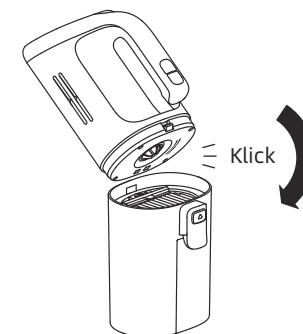
- Wenn der Schalter für automatische Verteilung aktiviert ist, verwendet das Gerät die Reinigungslösung standardmäßig automatisch für die Selbstreinigungsfunktion.
- Berühren Sie während der Selbstreinigung mit heißem Wasser nicht die Walzenbürste, das heiße Wasser oder das Heizmodul der Ladestation.
- Die Selbstreinigungsfunktion kann nur aktiviert werden, wenn das Gerät aufgeladen wird und der Akkustand mehr als 15 % beträgt. Wenn der Akkustand niedriger ist, laden Sie das Gerät bitte auf 15% auf, bevor Sie die Selbstreinigungsfunktion aktivieren.

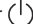
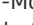
Verwendung des Handstaubsaugers

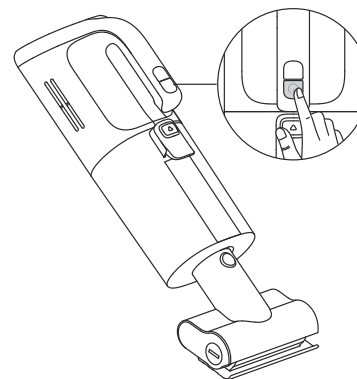
1. Drücken Sie die Handstaubsauger-Entriegelungstaste, um den Handstaubsauger zu entfernen.



2. Installieren Sie den Staubbehälter und andere Verbundteile wie im Diagramm gezeigt, bis Sie ein Klicken hören.

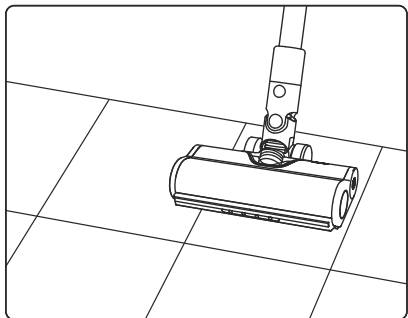


3. Drücken Sie kurz den Handstaubsauger-Netzschalter , um den Betrieb zu starten. Drücken Sie kurz den Handstaubsauger-Modus-Schalter , um je nach Bedarf zwischen Standard- und Turbo-Modus zu wechseln.

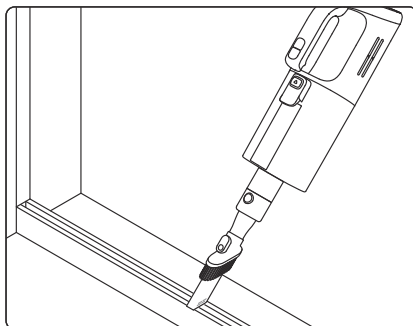


Verwendung von Handstaubsauger-Aufsätzen

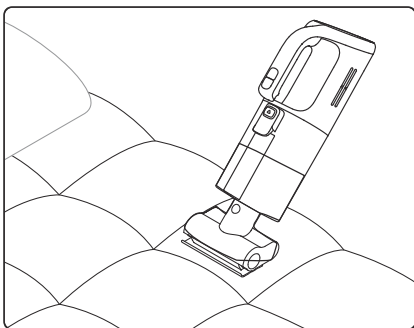
Multiflächen-Bürste: Multiflächen-Bürste: Zum Staubsaugen von mittel- und niedrigflorigen Teppichen, Fliesen und Böden geeignet.



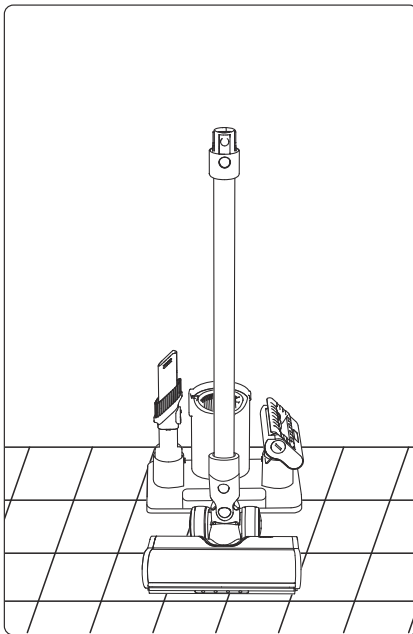
Kombi-Aufsatz: Ideal, um die Ecken von Türen, Fenstern, Wänden und Treppen sowie schmale Spalte zu reinigen und Staub auf Sofas und Tischplatten zu entfernen.



Motorisierte Mini-Bürste: Ideal, um Staub, Tierhaare und tiefsitzenden Schmutz von Sofas, Bettwäsche und anderen Textilien zu entfernen.



Wandhalterung für Zubehör: Bei Nichtgebrauch kann das Staubsauger-Zubehör auf der Wandhalterung für Zubehör platziert werden, wie in der Abbildung gezeigt.



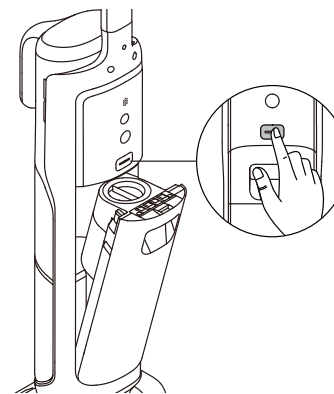
Hinweis: Platzieren Sie das Handstaubsauger-Hauptteil nicht auf der Wandhalterung für Zubehör, um Schäden durch Herunterfallen zu vermeiden.

Tipps:

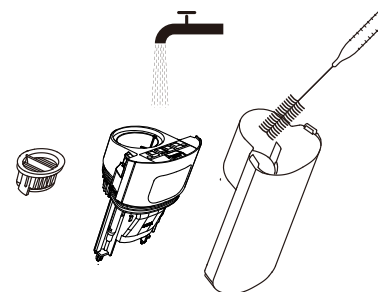
- Schalten Sie das Gerät vor der Wartung aus. Berühren Sie nicht den Ein-/Ausschalter.
- Teile müssen bei Bedarf ausgetauscht werden. Bitte verwenden Sie die vom Originalwerk vorgesehenen Teile, um Schäden am Produkt aufgrund von Ungeeignetheit zu vermeiden.
- Wenn das Gerät längere Zeit nicht verwendet wird, laden Sie es vollständig auf, ziehen Sie den Netzstecker ab und lagern Sie das Gerät in einer kühlen Umgebung mit geringer Luftfeuchtigkeit, fern von direkter Sonneneinstrahlung. Um das übermäßige Entladen des Akkus zu vermeiden, laden Sie das Gerät mindestens alle 3 Monate auf.

Reinigung des Schmutzwasserbehälters

1. Drücken Sie die Entriegelungstaste für den Schmutzwasserbehälter, um den Behälter herauszunehmen.

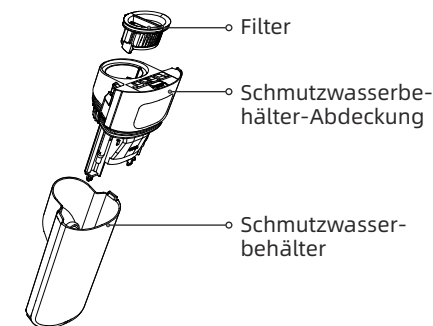


3. Reinigen Sie die Innenwände des Behälters mit der mitgelieferten Reinigungsbürste.

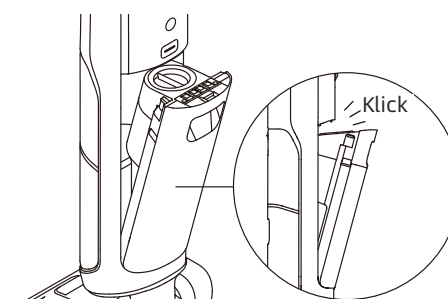


Hinweis: Es wird empfohlen, den Schmutzwasserbehälter rechtzeitig nach jedem Gebrauch sowie vor und nach der Selbstreinigung zu reinigen.

2. Drücken Sie die Entriegelungstasten für die Schmutzwasserbehälterabdeckung, um die Behälterabdeckung zu entfernen. Nehmen Sie den Filter aus der Schmutzwasserbehälter-Abdeckung.



4. Bringen Sie den Filter und die Abdeckung des Schmutzwasserbehälters wieder an. Setzen Sie anschließend den Schmutzwasserbehälter wieder ein bis Sie ein Klickgeräusch hören.

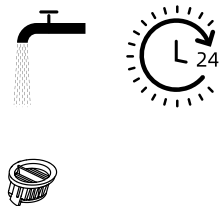


Reinigung des Filters

1. Nehmen Sie den Filter heraus und klopfen Sie den auf der Oberfläche befindlichen Staub vorsichtig ab.



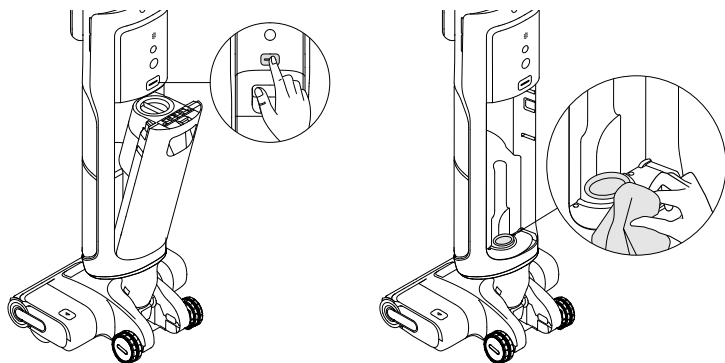
2. Bei Verschmutzung des Filters spülen Sie ihn mit Wasser ab. Vor der Verwendung muss er vollständig trocken sein.



Hinweis: Es wird empfohlen, den Filter alle 3 bis 6 Monate auszutauschen.

Reinigung des Rohres und des Schmutzsensors

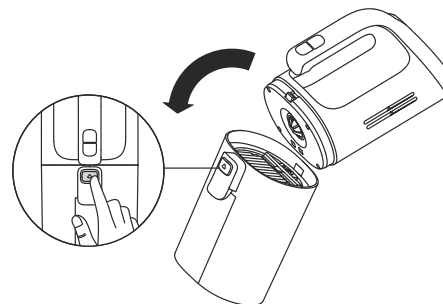
Nehmen Sie den Schmutzwasserbehälter heraus. Wischen Sie den Schlauch und den Verschmutzungssensor vor dem Gebrauch mit einem feuchten Tuch ab.



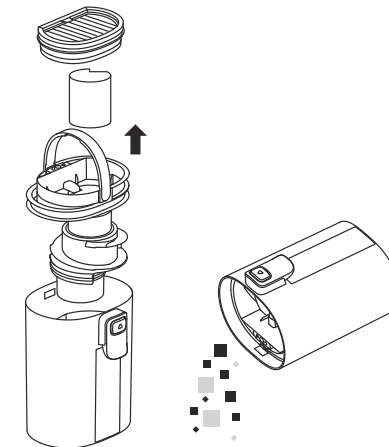
Hinweis: Spülen Sie das Rohr oder den Verschmutzungssensor nicht aus.

Reinigung der Staubbehälterverbundteile

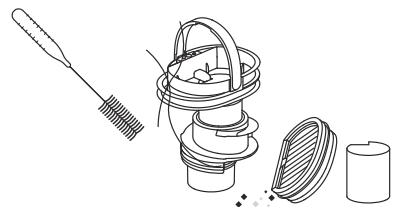
1. Drücken Sie die Taste zum Lösen des Staubbehälters und entfernen Sie ihn.



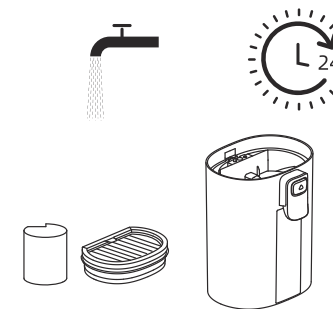
2. Nehmen Sie den Filter aus dem Deckel des Schmutzwasserbehälters heraus. Entfernen Sie den Tankdeckel und gießen Sie das Schmutzwasser aus.



3. Klopfen Sie den Filter vorsichtig aus oder reinigen Sie ihn mit der Reinigungsbürste. Spülen Sie den Filter und den Staubbehälter mit Wasser aus.

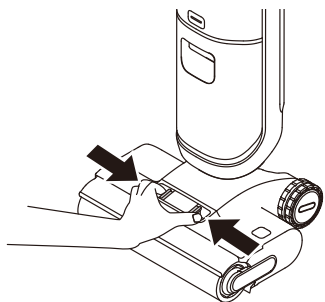


4. Spülen Sie den Staubbehälter und den Filter mit klarem Wasser aus, bis sie sauber sind. Vor der Verwendung muss er vollständig trocken sein.

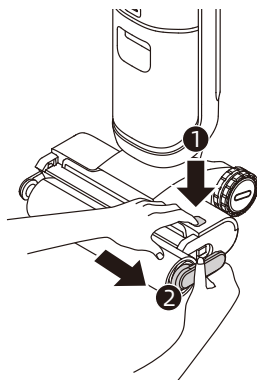


Reinigung der Walzenbürsten-Aufsätze

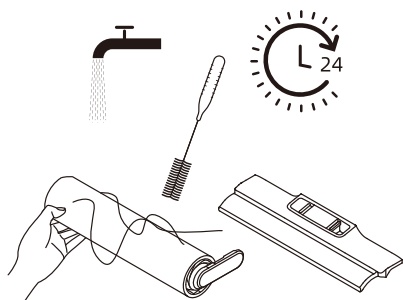
1. Drücken Sie die Entriegelungstasten für die Bürstenrollenabdeckung, um die Bürstenrollenabdeckung zu entfernen.



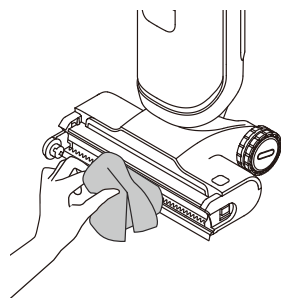
2. Drücken Sie die Entriegelungstaste für die Bürstenrolle und ziehen Sie am Griff, um die Bürstenrolle herauszunehmen.



3. Entfernen Sie mit der mitgelieferten Reinigungsbürste alle auf der Bürstenrolle befindlichen Haare und Verschmutzungen. Spülen Sie die Bürstenrolle und die Abdeckung mit sauberem Wasser ab und trocknen Sie diese vollständig.



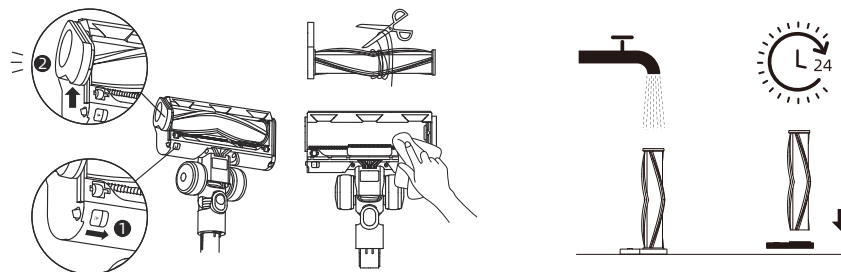
4. Wischen Sie den Saugeinlass mit einem trockenen Tuch oder einem feuchten Lappen ab. Setzen Sie die Bürstenrolle und die Bürstenrollenabdeckung wieder ein, bis Sie ein Klickgeräusch hören.



- Hinweis:
- Spülen Sie die Bürsten-Aufsätze nicht mit Wasser ab.
 - Reinigen Sie die Bürstenwalze nach Bedarf. Es wird empfohlen, die Bürstenrolle alle 3 bis 6 Monate auszutauschen.

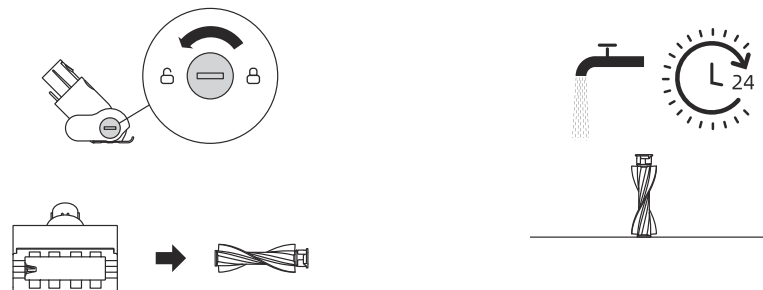
Reinigung der Multiflächen-Bürste

1. Drehen Sie die Verriegelung gegen den Uhrzeigersinn bis zum Anschlag und entfernen Sie dann die Rolle von der Bürstenrolle.
2. Verwenden Sie eine Schere, um die Haare und Fasern wegzuschneiden, die an der Bürstenwalze festhängen. Wischen Sie den Staub mit einem trockenen Tuch oder Papiertuch von der Aussparung und der transparenten Abdeckung. Lassen Sie die Bürste vor dem Gebrauch gründlich trocknen.
3. Wenn sie schmutzig ist, spülen Sie die Bürstenwalze mit sauberem Wasser ab, bis sie sauber ist.
4. Stellen Sie die Bürstenwalze mindestens 24 Stunden lang aufrecht hin, bis sie vollständig trocken ist.
5. Zum Auswechseln der Rollenbürste nehmen Sie zunächst den Griff der Rollenbürste ab, setzen dann die neue Rollenbürste ein und drücken Sie sie fest an.



Motorisierte Mini-Bürste reinigen

1. Drehen Sie die Verriegelung wie abgebildet mit einer Münze gegen den Uhrzeigersinn und ziehen Sie die Walzenbürste heraus, bis Sie ein Klicken hören.
2. Wenn sie verschmutzt ist, spülen Sie die Walzenbürste mit sauberem Wasser ab. Stellen Sie die Walzenbürste aufrecht hin, bis sie vollständig getrocknet ist.









Wenn ein Fehler auftritt, wird das Gerät nicht mehr funktionieren. Bitte beachten Sie die folgende Tabelle zur Fehlerbehebung. Wenn das Problem weiterhin besteht, wenden Sie sich bitte an den Kundendienst.

Fehler	Mögliche Ursache	Lösung
Das Gerät funktioniert nicht.	Der Akku des Geräts ist leer oder der Akkustand ist niedrig.	Laden Sie den Akku vor dem Gebrauch vollständig auf.
	Das Gerät befindet sich in der aufrechten Position.	Stellen Sie das Gerät nach hinten.
	Der Überhitzungsschutzmodus wurde durch eine Verstopfung aktiviert.	Beseitigen Sie die Verstopfung und warten Sie, bis die Temperatur wieder normal ist.
	Der Schmutzwassertank ist voll.	Den Schmutzwasserbehälter leeren.
	Die Komponenten sind nicht richtig installiert.	Vergewissern Sie sich, dass alle Komponenten richtig eingesetzt sind.
Das Gerät wird langsam aufgeladen.	Die Temperatur des Akkus ist zu niedrig oder zu hoch.	Bitte kontaktieren Sie den Kundenservice.
Die Saugleistung des Gerätes ist niedrig.	Der Filter ist verstopft.	Reinigen Sie den Filter.
	Der Saugeinlass oder -rohr ist durch	Reinigen Sie das Rohr und die Saugöffnung.
Der Motor macht ein seltsames Geräusch.	Zu viel Schmutzwasser im Schmutzwasserbehälter.	Den Schmutzwasserbehälter leeren.
	Die Hauptaugöffnung ist blockiert.	Beseitigen Sie eventuelle Verstopfungen in der Hauptaugöffnung.
Die Akkustandsanzeige auf dem Display leuchtet während des Ladevorgangs nicht auf.	Der Stecker der Ladestation ist nicht richtig in die Steckdose eingesteckt.	Stellen Sie sicher, dass der Stecker der Ladestation richtig eingesteckt ist.
	Das Gerät wird nicht richtig an die Ladestation angeschlossen.	Stellen Sie sicher, dass das Gerät richtig auf der Ladestation platziert ist.
Es kommt kein Wasser aus dem Gerät.	Der Frischwasserbehälter ist nicht ordnungsgemäß installiert, oder der Wasserstand im Frischwasserbehälter ist zu niedrig.	Setzen Sie den Frischwasserbehälter wieder ein oder füllen Sie ihn auf.
	Es dauert 30 Sekunden, um die Bürsterolle zu befeuchten.	Schalten Sie das Gerät ein und überprüfen Sie es nach einiger Zeit erneut.

Wasseraustritt an der Oberseite des Schmutzwasserbehälters.	Eine Kollision oder starkes Ziehen führt dazu, dass Wasser in den Motor gelangt.	Bewegen Sie das Gerät vorsichtig hin und her, wenn es eingeschaltet ist.
	Der Filter ist nach der Reinigung nicht vollständig trocken.	Den Filter vor Gebrauch gründlich abtrocknen.
Selbstreinigung ist fehlgeschlagen.	Ein Gegenstand verklemmt sich in der Rollenbürste.	Entfernen Sie die Bürstenrollenabdeckung, um die Bürstenrolle zu überprüfen und zu reinigen.
	Das Gerät wird nicht richtig an die Ladestation angeschlossen.	Stellen Sie sicher, dass das Gerät beim Aufladen ist, bevor Sie die Selbstreinigungsfunktion aktivieren.
	Die Selbstreinigung kann nicht gestartet werden, wenn der Batteriestand weniger als 15% beträgt.	Die Selbstreinigung kann nur aktiviert werden, während das Gerät aufgeladen wird und der Akkustand mehr als 15% beträgt.
	Der Schmutzwasserbehälter ist nicht installiert oder ist voll.	Installieren oder leeren Sie den Schmutzwasserbehälter.
	Der Frischwasserbehälter ist nicht richtig installiert, oder der Wasserstand im Frischwasserbehälter ist zu niedrig.	Setzen Sie den Frischwasserbehälter wieder ein oder füllen Sie ihn auf.
Schlechte Trocknungsleistung.	Luftauslass und Lufteinlass der Ladestation könnten vermutlich blockiert werden.	Prüfen und beseitigen Sie die Blockierung des Luftauslasses und des Lufteinlasses

Wenn das Gerät nicht ordnungsgemäß funktioniert, wird auf dem Bildschirm eine Fehlermeldung angezeigt. Schauen Sie in der folgenden Tabelle nach, um eine Lösung zu finden.

Fehler-Symbol	Mögliche Ursache	Lösung
	Zu wenig Wasser im Frischwasserbehälter	Füllen Sie den Frischwasserbehälter auf.
	Schmutzwasserbehälter ist nicht eingesetzt	Setzen Sie den Schmutzwasserbehälter ein.
	Schmutzwasserbehälter ist voll	Den Schmutzwasserbehälter leeren.
	Schmutzwasserbehälter ist blockiert	Reinigen Sie den Schmutzwasserbehälter.
	Blockierte Röhre	Reinigen Sie den Schlauch und den Verschmutzungssensor wie im Abschnitt „Pflege und Wartung“ beschrieben.
	Walzenbürste ist blockiert	Reinigen Sie die Bürstenrolle.
	Die Walzenbürste und das Rohr sind verschmutzt	Stellen Sie das Gerät zur Selbstreinigung wieder auf die Basis.
	Zu wenig Reinigungslösung	Bitte füllen Sie den Reinigungslösungsbehälter nach.

Fehlercode	Mögliche Ursache	Lösung
E1 - E7	Fehler	Zur Fehlerbehebung das Gerät neu starten. Wenn das Problem weiterhin besteht, wenden Sie sich bitte an den Kundendienst.
F1-F6		
H1 - H6		
H7	Akku-Überhitzung	Warten Sie, bis sich die Akkutemperatur wieder auf einen normalen Wert erwärmt hat, dann verwenden Sie das Gerät weiter.

Nass- und Trockensauger			
Modell	HHV25B	Nennleistung	380 W
Bemessungsspannung	21,6 V ===	Ladespannung	27 V ===
Kapazität des Frischwasserbehälters	880 ml	Kapazität des Schmutzwasserbehälters	650 ml
Ladezeit	Ca. 4 Stunden		
Betriebsfrequenz	2400~2483,5 MHz	Maximale Ausgangsleistung	< 20 dBm
Ladestation			
Modell	HCBM	Bemessungsleistungsaufnahme*	345 W
Nenneingang	220-240 V ~ 50-60 Hz	Nennausgang	27 V === 1,6 A
Motorisierter Reinigungskopf			
Modell	HCR9		
Nennleistung	100 W	Bemessungsspannung	21,6 V ===

Unter normalen Einsatzbedingungen muss dieses Gerät in einem Abstand von mindestens 20 cm zwischen der Antenne und dem Körper des Benutzers gehalten werden.

* Die Nennleistung bezieht sich auf die Leistung der Ladestation beim Betrieb im Schnelltrocknungsmodus. Stromverbrauch im Standby-Modus: ≤ 0,5 W (innerhalb von 15 Minuten nach Entfernen des Staubsaugers aus der Ladestation)

Stromverbrauch im Standby-Modus: ≤ 0,5 W (innerhalb von 15 Minuten nach vollständiger Aufladung des Geräts)

Stromverbrauch im Netzwerk-Standby-Modus: ≤ 2 W (innerhalb von 15 Minuten nach vollständiger Aufladung des Geräts)