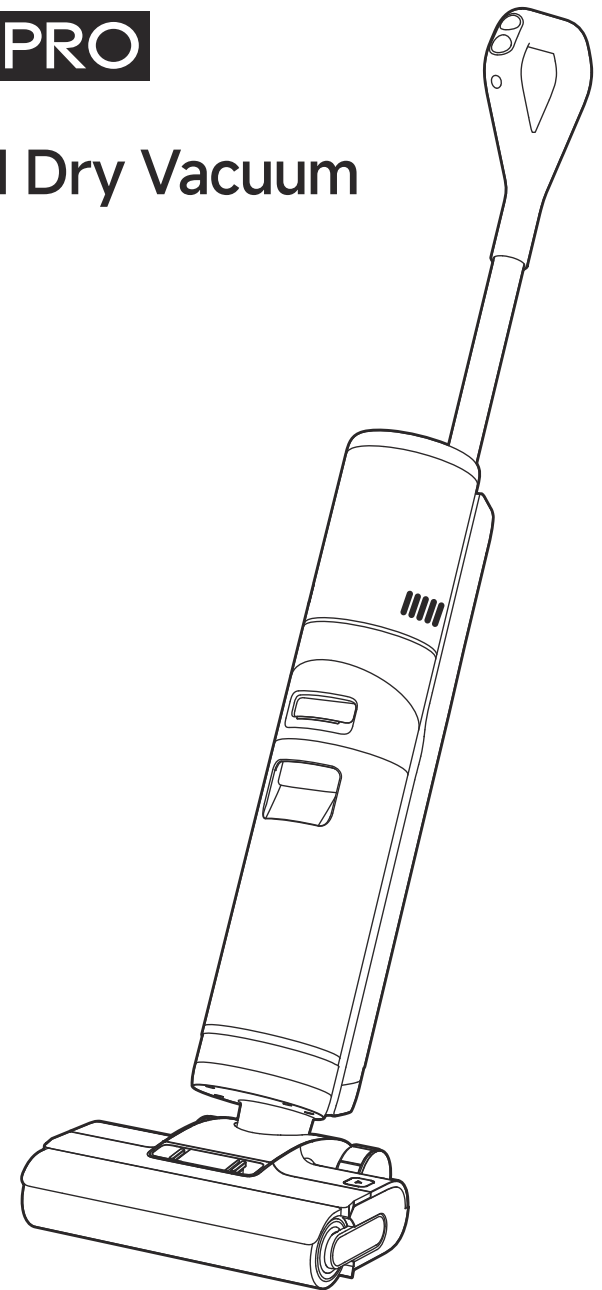


# G10 PRO

Wet and Dry Vacuum



## User Manual

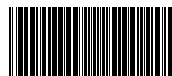
The illustrations in this manual are for reference only. Please refer to the actual product.

**DREAME**



Website: <https://global.dreame.tech.com>  
Manufactured by: Dreame Trading (Tianjin) Co.,Ltd.  
Made in China

EU-A01



# THANK YOU

## FOR PURCHASING THIS DREAME WET AND DRY VACUUM

---

The high-quality product is engineered for optimal performance.

If you have any questions on the product,  
please contact us: <https://global.dreame.tech.com/pages/contact-us>

---

## Contents

<b>EN</b> User Manual	01
<b>DE</b> Benutzerhandbuch	15
<b>FR</b> Mode d'emploi	29
<b>IT</b> Manuale dell'utente	43
<b>ES</b> Manual de usuario	57
<b>NL</b> Gebruikershandleiding	71
<b>PT</b> Manual do utilizador	85



Please scan the QR code for the User Manual.

# Important Safety Instructions

Please read this manual carefully before use and retain it for future reference.

When using an electrical appliance, basic precautions should always be followed, including the following:

READ ALL INSTRUCTIONS BEFORE USING (THIS APPLIANCE). Failure to follow the warnings and instructions may result in electric shock, fire and/or serious injury.

**WARNING** —To reduce the risk of fire, electric shock, or injury:

## Usage Restrictions

- This appliance should not be used by children younger than 8 years old nor persons with physical, sensory, intellectual deficiencies, or limited experience or knowledge without the supervision of a parent or guardian to ensure safe operation and to avoid any risks. Cleaning and maintenance shall not be performed by children without supervision.
- Plastic film can be dangerous. To avoid the danger of suffocation, keep it away from children. Children shall not play with the appliance.
- Use indoors only, on non-carpeted floor surfaces such as vinyl, tile, sealed wood, etc. Be careful not to run over loose objects or the edges of area rugs. Stalling the brush may result in premature belt failure.
- Use only as described in this user guide. Use only manufacturer's recommended attachments.
- Do not expose the appliance to fire or excessive temperature. Exposure to fire or excessive temperature may cause an explosion.
- Do not use in extremely hot or cold environments (below 5° C/41° F or above 40° C/104° F). Please charge the appliance in temperature above 5° C/41° F and below 40° C/104° F.
- Do not immerse the appliance in liquid.
- Do not use to pick up flammable or combustible liquids, such as gasoline. Do not use in areas where flammable or combustible liquids may be present.
- Do not put any object into openings. Do not use the appliance when any opening is blocked. Keep free of dust, lint, hair, and anything that may inhibit air flow.
- Do not pick up toxic material (chlorine bleach, ammonia, drain cleaner, etc.). Do not pick up hard or sharp objects such as glass, nails, screws, coins, etc.
- Do not use the appliance in an enclosed space filled with vapor given off by oil-based paint, paint thinner, some moth-proofing substances, flammable dust, or other explosive or toxic vapour. Do not pick up anything that is burning or smoking, such as cigarettes, matches or hot ashes.
- Do not use the appliance without filters in place.
- Keep hair, loose clothing, fingers, and all parts of the body away from openings and moving parts of the appliance and its accessories.
- Keep ground cables away from the appliance when using it. A hazard may occur if the appliance runs over a supply cord.
- Use extra care when cleaning on stairs.

# Important Safety Instructions

## Maintenance and Storage

- Prevent unintentional starting. Ensure the switch is in the OFF-position before picking up or carrying the appliance. Carrying the appliance with your finger on the switch or turning on the appliance may result in an accident.
- Ensure that the appliance is placed on a horizontal surface. Do not use the appliance at the same position if the appliance is equipped with a brush roller and the handle is not completely upright. Do not store the appliance in a place where it may freeze.
- Switch off and unplug the appliance when not in use, before cleaning, maintaining or servicing it, and before connecting or disconnecting it with a moving brush.
- Do not use an appliance that is damaged or modified. A damaged or modified appliance may exhibit unpredictable behavior resulting in fire, explosion, or risk of injury.
- Do not modify or attempt to repair the appliance except as indicated in the instructions for use and care.
- Do not use the appliance with a damaged attachment (eg: charging base, supply cord etc.). If the appliance or attachment has been dropped, damaged, left outdoors, dropped into water, or is not working as it should, never attempt to operate it. Please have it repaired at an authorized service center.
- Have servicing performed by a qualified repair person using only identical replacement parts. This will ensure that the safety of the appliance is maintained.

## Battery and Charging

- For the purpose of recharging the appliance, only use the charging base provided with this appliance. Use only with <YLS0251B-E260090> adapter.
- Follow all charging instructions and do not charge the appliance outside of the temperature range specified in the battery as doing so increases the risk of fire.
- Keep ground cables away from the appliance when using it, because a hazard may occur if the appliance runs over a supply cord.
- Do not pull or carry adapter by cable, use cable as a handle, close door on cable, or pull cable around sharp edges or corners.
- This appliance contains batteries that can only be replaced by qualified technicians or after-sales service.
- The lithium-ion battery pack contains substances that are hazardous to the environment. Before disposing of the appliance, please first remove the battery pack, then discard, or recycle it in accordance with local laws and regulations of the country or region it is used in.
- The appliance must be disconnected from the power supply when removing the battery. Keep batteries out of the reach of children. Never put batteries in mouth. If swallowed, contact your physician or local poison control.
- Under abusive conditions, never contact the battery from which the liquid may be ejected. If contact accidentally occurs, rinse with water. If liquid contacts eyes, seek medical help immediately. Liquid ejected from the battery may cause irritation or burns.

# Important Safety Instructions

## Symbols



For indoor use only



Read operator's manual



Detachable supply unit



WEEE Information

All products bearing this symbol are waste electrical and electronic equipment (WEEE as in directive 2012/19/EU) which should not be mixed with unsorted household waste. Instead, you should protect human health and the environment by handing over your waste equipment to a designated collection point for the recycling of waste electrical and electronic equipment, appointed by the government or local authorities. Correct disposal and recycling will help prevent potential negative consequences to the environment and human health. Please contact the installer or local authorities for more information about the location as well as terms and conditions of such collection points.

We, Dreame Trading (Tianjin) Co., Ltd., hereby declares that this equipment is in compliance with the applicable Directives, European Norms, and amendments. The full text of the EU declaration of conformity is available at the following internet address: <https://global.dreame.tech.com>

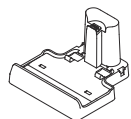
For detailed e-manual, please go to <https://global.dreame.tech.com/pages/user-manuals-and-faqs>

# Product Overview

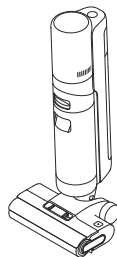
## Packing List



Handle



Charging Base



Main Body



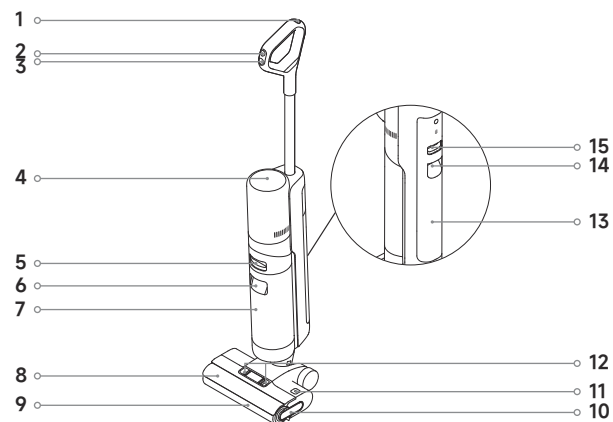
Power Adapter



Cleaning Brush

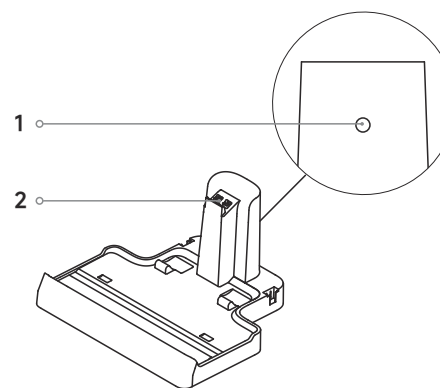
# Product Overview

## Vacuum



- |   |                                |    |                                    |    |                                 |
|---|--------------------------------|----|------------------------------------|----|---------------------------------|
| 1 | Self-Cleaning Button           | 8  | Roller Brush Cover                 | 14 | Clean Water Tank Handle         |
| 2 | Mode Switch                    | 9  | Roller Brush                       | 15 | Clean Water Tank Release Button |
| 3 | Power Switch                   | 10 | Roller Brush Handle                |    |                                 |
| 4 | Display Screen                 | 11 | Roller Brush Release Button        |    |                                 |
| 5 | Used Water Tank Release Button | 12 | Roller Brush Cover Release Buttons |    |                                 |
| 6 | Used Water Tank Handle         | 13 | Clean Water Tank                   |    |                                 |
| 7 | Used Water Tank                |    |                                    |    |                                 |

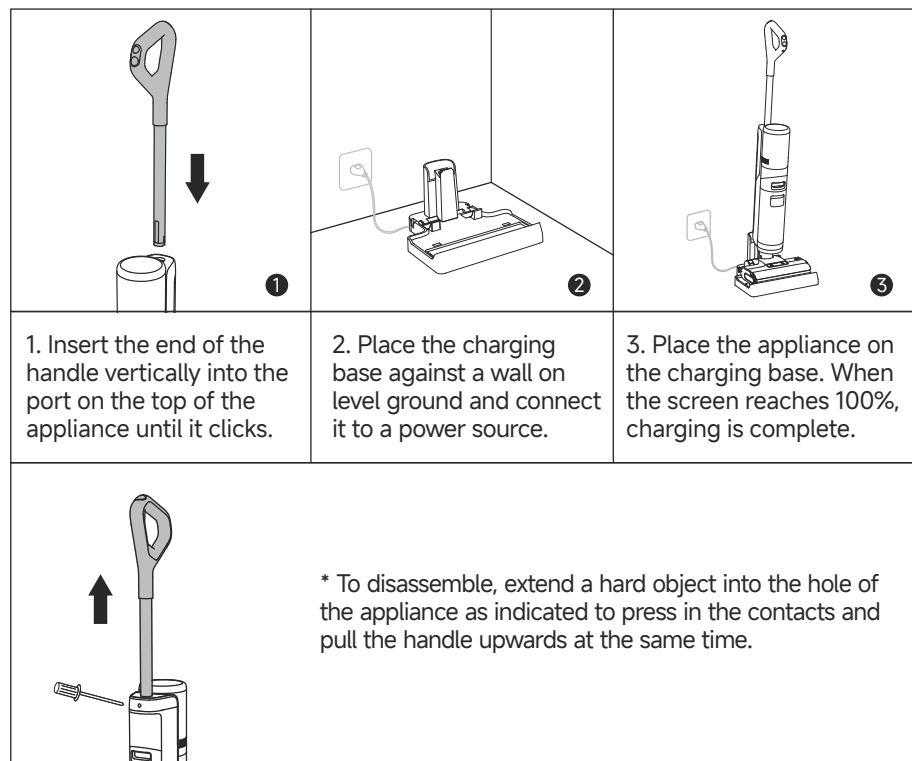
## Charging Base



1. Charging Port
2. Charging Contacts

## Installation & Charging

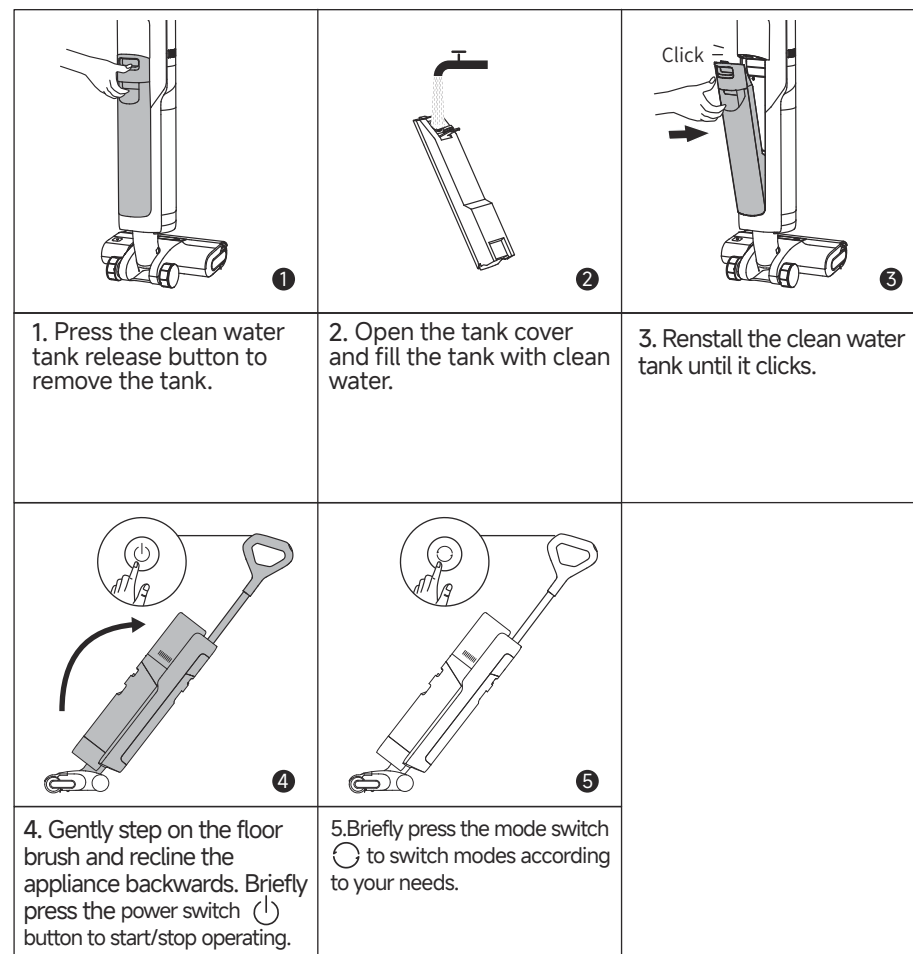
Fully charge the appliance before first use.



### Note:

- If there is no operation within 10 minutes of being fully charged, the appliance will enter sleep mode. Please restart the appliance if you need to use it.
- To extend the battery life time, the battery keeps cooling down automatically after you have used the appliance for a long time.

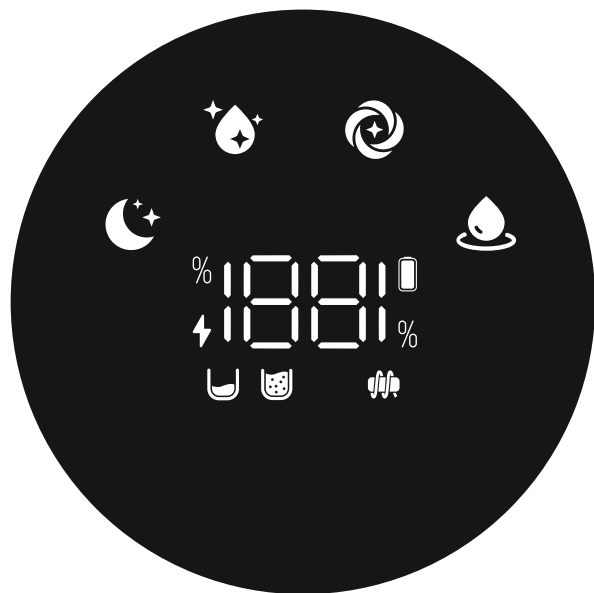
## Starting Cleaning



### Note:

- Do not vacuum any foamy liquids.
- The appliance will be suspended in the upright position while running.
- Do not recline the appliance backwards more than 140° to prevent the appliance from leaking water.
- The appliance is suitable for cleaning floors, marble, tiles and other hard surfaces.
- When the appliance is in operation, do not lift it off the ground, move it or tilt it. Otherwise, the used water may flow into the motor.
- Do not add any liquids other than the officially-approved cleaner. The cleaner can be available on the official online store. Refer to the cleaning solution label for specific usage instructions.

## Display Screen



### Quiet Mode

The appliance will maintain moderate suction power at a low noise level.



### Standard Mode

Medium suction power and water flow for routine cleaning.



### Turbo Mode

Maximum suction power and increased water flow for stubborn stains on hard floors.



### Suction Mode

Sucks up a large amount of water from the floor.



### Charging Indicator

- Orange Breathing: Battery level  $\leq 20\%$  (charging)
- Green Breathing: Battery level  $> 20\%$  (charging)
- Solid Green: Full charged



### Battery Indicator

- Solid Green: Battery level  $> 20\%$
- Solid Orange: Battery level  $\leq 20\%$



### Insufficient water in the clean water tank

Fill the clean water tank.



### The used water tank is full

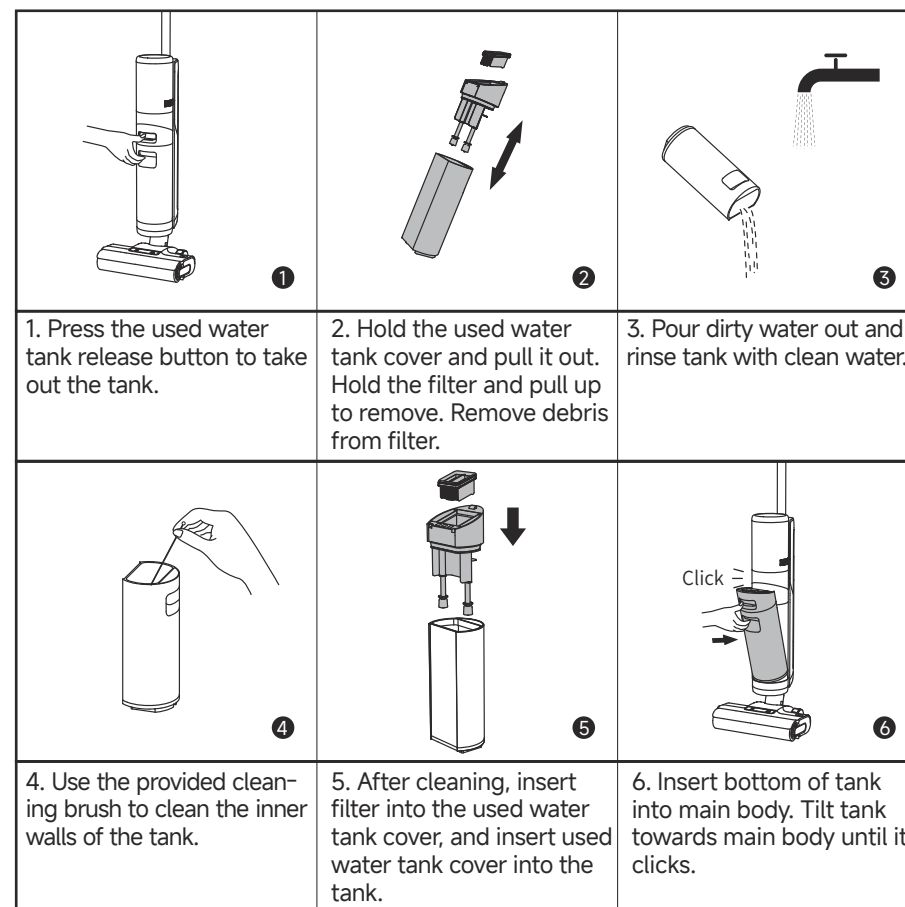
Empty the used water tank.



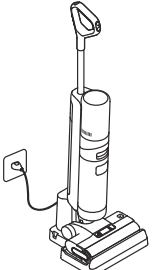
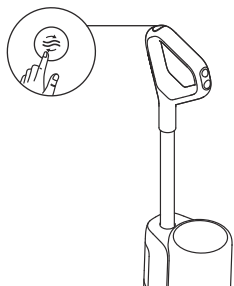


### Roller brush stuck

Clean the roller brush with the provided cleaning brush.

## Emptying the Used Water Tank



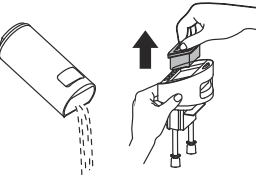

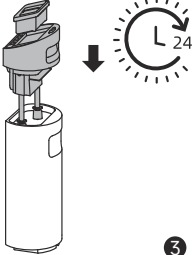
## One-Press Self-Cleaning

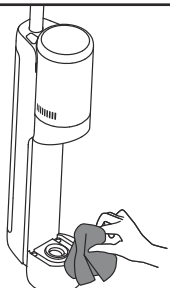
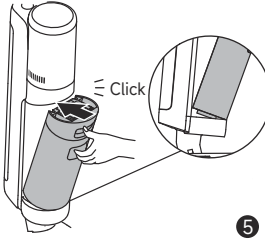
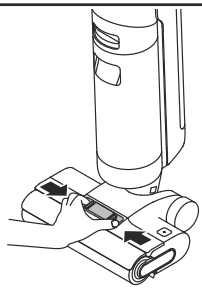
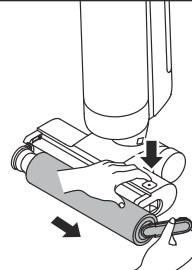
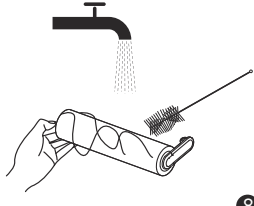
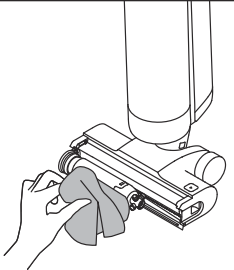
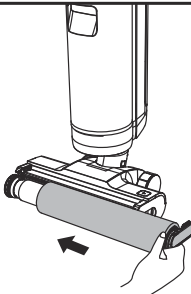
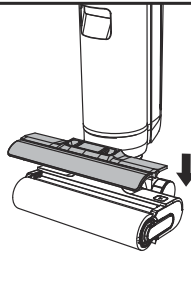
		
<p>1. Place the appliance back onto the base. Ensure that the water in the clean water tank is sufficient for self-cleaning.</p>	<p>2. Briefly press the self-cleaning button on the top of the handle to start/stop self-cleaning (Battery level <math>\geq</math> 20%).</p>	<p>3. After self-cleaning is complete, the  will light up. Empty the used water tank promptly.</p>

## Care & Maintenance

### Tips:

- Turn off the appliance before maintenance. Do not touch the power switch.
- Replace parts if needed. The parts must be replaced by those available from the manufacturer or its service agent.
- If the appliance is not used for an extended period, fully charge it, unplug the power plug, and store the appliance in a cool, low-humidity environment away from direct sunlight. To avoid over-discharge of the battery, charge the appliance at least once every 3 months.

		
<p>1. Pour dirty water out, remove the filter, and rinse the tank and tank cover with clean water.</p>	<p>2. Gently knock off the floating dust on the filter surface. When the filter is dirty and needs washing, rinse it with water.</p>	<p>3. After fully drying the filter, reinstall it into the used water tank cover. Insert used water tank cover into the tank.</p>

		
<p>4. Gently wipe the tube with a wet cloth before use. Do not rinse the tube.</p>	<p>5. Insert bottom of tank into main body. Tilt tank towards main body until it clicks.</p>	<p>6. Press the roller brush cover release button inward to remove the cover.</p>
		
<p>7. Press the roller brush release button to pop up the roller brush handle. Lift the roller brush handle to remove the roller brush.</p>	<p>8. Remove any hair or debris tangled on the roller brush with the provided cleaning brush. Rinse the roller brush with clean water.</p>	<p>9. Wipe the suction inlet with a dry cloth or wet tissue. Do not rinse the brush assembly with water.</p>
		
<p>10. After fully drying the roller brush, hold the roller brush handle and reinstall it.</p>	<p>11. Press the roller brush cover release button inwards on both sides, align the brush cover with the brush. Press down until cover clicks into place.</p>	

## Care & Maintenance

### Note:

- Replacing the filter every 3 to 6 months is recommended.
- Clean as needed. Replacing the roller brush every 3 to 6 months is recommended.

## Troubleshooting

If an error occurs, the appliance will stop working. Please refer to the following table for troubleshooting. If the problem persists, please contact customer service.

Error	Possible Cause	Solution
The appliance does not work	The appliance is out of battery or its battery level is low	Fully charge its battery before use
	The appliance is in the upright position	Recline the appliance backwards
	Blockage activated overheat protection mode	Clear the blockage and wait until the temperature returns normal
	The Used Water Tank is full	Empty the Used Water Tank
	The handle, roller brush, or Used Water Tank is not properly installed	Ensure the handle, roller brush, or Used Water Tank are all properly in place
The appliance charges slowly	The temperature of the battery is too low or too high	Wait until the battery's temperature returns normal
The suction power of the appliance is weak	The filter is clogged	Cleaning the filter
	The suction inlet or tube is blocked by a foreign object	Clean the tube and the suction inlet
The motor is making a strange noise	There is too much used water in the Used Water Tank	Empty the Used Water Tank
	The suction inlet is blocked	Clear any blockage in the suction inlet
The display screen does not light up while charging	The charging base cable is not plugged into the electrical outlet	Make sure the charging base cable is plugged in
	The appliance is not placed onto the charging base properly	Make sure the appliance is placed onto the charging base properly

## Troubleshooting

No water is coming out of the appliance	The Clean Water Tank is not properly installed in place, or the water in the Clean Water Tank is insufficient	Re-install or fill the Clean Water Tank
	It takes 30 seconds to dampen the roller brush	Turn on the appliance and check again in 30 seconds
The vent leaks water	A collision or a sharp pull causes water to enter the motor	Move the appliance gently back and forth while it is turned on
	The filter is not completely dry after being cleaned	Dry the filter completely before use
Self-cleaning fails	The roller brush may be jammed by large debris	Open the roller brush cover to check and clean the roller brush
	The appliance is not placed onto the charging base properly	Make sure the appliance is being charged before self-cleaning
	Self-cleaning cannot be enabled if the battery level is lower than 20%	The self-cleaning function can only be enabled when the appliance is being charged and the battery level is more than 20%
	The Used Water Tank is not installed in place, or the Used Water Tank is full	Re-install or empty the Used Water Tank
	The Clean Water Tank is not installed in place, or the water in the Clean Water Tank is insufficient	Re-install or fill the Clean Water Tank

For additional services, please contact us via <https://global.dreametech.com/pages/contact-us>  
 Website: <https://global.dreametech.com>

## Error Prompts and Solutions

If the appliance is not working properly, the screen display will show an error message. Please refer to the troubleshooting table to find your solution.

## Error Prompts and Solutions

Troubleshooting Code	Possible Cause	Solution
E1-E7	Error	Restart the appliance for troubleshooting. If the problem persists, please contact customer service
H1-H6		
H7	Battery overheating	Wait until the battery's temperature returns normal
E8	Blocked tube	Refer to the Care & Maintenance section to clean the tube.

## Specifications

Vacuum			
Model	HHR20A	Charging Time	approx. 4.5 hours
Rated Voltage	21.6 V $\text{---}$	Rated Power	200 W
Clean Water Tank Capacity	900 mL	Used Water Tank Capacity	700 mL
Power Adapter			
Model	YLS0251B-E260090		
Rated Input	100-240 V $\sim$ 50 /60 Hz 0.8 A Max	Rated Output	26.0 V $\text{---}$ 0.9 A
Average Active Efficiency	87.26%	Efficiency at Low Load (10%)	81.58%
No-Load Power Consumption	0.1 W	Manufacturer	Dongguan Yinli Electronics Co., Ltd.

## Battery Disposal and Removal

The built-in lithium-ion battery contains substances that are hazardous to the environment. Before disposing of the battery, make sure the battery is removed by qualified technicians and discarded at an appropriate recycling facility.

- the battery must be removed from the appliance before it is scrapped;
- the appliance must be disconnected from the supply mains when removing the battery;
- the battery is to be disposed of safely.

### Removal Guide

1. Remove the screw plug at the top of the back of the appliance and remove the screw by a screwdriver.
2. Use a proper tool to remove the display assembly and disconnect the cables.
3. Use a screwdriver to remove all the fixing screws from the body.
4. Remove the screws on the battery pack assembly and then remove the battery cover.
5. Disconnect the battery pack's connector cables and remove the battery from the battery pack assembly.

### CAUTION:

- Before removing the battery, disconnect the power and run out the battery as much as possible.
- Unneeded batteries should be discarded at an appropriate recycling facility.
- Do not expose to high temperature environment to avoid risks of explosion.
- Under abusive conditions, liquid may be ejected from the battery. If contact occurs, flush with water and seek medical help.

### Warranty

1. Dreame is liable to the consumer for any lack of conformity in material or workmanship not detectable at the time of the purchase.
2. Warranty period: please refer to the customer service office for more information. If the territory where the consumer is located has different regulations, local regulations prevail.
3. The warranty will not be applicable in the following cases:
  - a) Issues due to carelessness, use, or installation that does not comply with the instructions provided by Dreame.
  - b) Tampering and/or modifications of the product by entities or individuals not expressly authorized by Dreame.
  - c) Damage due to accidental causes and/or negligence on the part of the consumer, with particular reference to external parts.
  - d) Parts subject to wear that do not have manufacturing defects.
  - e) No valid purchasing document (receipt, invoice, or other) is provided to certify the date the product was purchased.
  - f) The model and/or numbers of the product on the purchase certificate is not consistent with the model and/or numbers shown on the product.
4. For more warranty information, please refer to the official Dreame website: <https://global.dreametech.com>.

# Wichtige Sicherheitshinweise

Bitte lesen Sie dieses Handbuch vor der Verwendung sorgfältig durch und bewahren Sie es zum späteren Nachschlagen auf.

Bei der Verwendung eines elektrischen Geräts sollten immer grundlegende Vorsichtsmaßnahmen beachtet werden, einschließlich der folgenden:

LESEN SIE VOR DEM GEBRAUCH (DIESES GERÄTS) ALLE ANWEISUNGEN. Die Nichtbeachtung der Warnhinweise und Anweisungen kann zu einem Stromschlag, Brand und/oder schweren Verletzungen führen.

**WARNUNG** – Um die Gefahr von Bränden, Stromschlägen oder Verletzungen zu verringern:

## Nutzungsbeschränkungen

- Um einen sicheren Betrieb zu gewährleisten und Risiken zu vermeiden, darf dieses Produkt nicht von Kindern unter 8 Jahren, von Personen mit körperlichen, sensorischen oder geistigen Einschränkungen oder von Personen mit mangelnden Kenntnissen ohne Aufsicht eines Elternteils oder Vormunds verwendet werden. Kinder dürfen die Reinigung und Wartung nicht ohne Aufsicht durchführen.
- Kunststoffolie kann gefährlich sein. Um die Gefahr des Erstickens zu vermeiden, halten Sie sie von Kindern fern. Kinder dürfen nicht mit dem Gerät spielen.
- Verwenden Sie das Gerät nur in Innenräumen, auf nicht mit Teppichboden versehenen Böden wie Vinyl, Fliesen, versiegeltem Holz usw. Achten Sie darauf, nicht über lose Gegenstände oder Kanten von Teppichen zu fahren. Ein Abwürgen der Bürste kann zu einem vorzeitigen Ausfall des Riemens führen.
- Verwenden Sie das Gerät nur wie in dieser Bedienungsanleitung beschrieben. Verwenden Sie nur das vom Hersteller empfohlene Zubehör.
- Setzen Sie das Gerät keinem Feuer oder übermäßigen Temperaturen aus. Die Exposition gegenüber Feuer oder übermäßige Temperatur kann eine Explosion verursachen.
- Nicht in extrem heißen oder kalten Umgebungen verwenden (unter 5 °C oder über 40 °C). Bitte laden Sie das Gerät bei Temperaturen über 5 °C und unter 40 °C auf.
- Tauchen Sie das Gerät nicht in Flüssigkeit.
- Dieses Gerät darf nicht verwendet, um brennbare oder leicht entzündliche Flüssigkeiten wie Benzin aufzunehmen. Dieses Gerät darf nicht in Bereichen verwendet werden, in denen brennbare oder leicht entzündliche Flüssigkeiten vorhanden sein können.
- Setzen Sie kein Objekt in die Öffnungen. Verwenden Sie das Gerät nicht, wenn die Öffnung blockiert ist. Halten Sie sich frei von Staub, Fusseln, Haaren und allem, was den Luftstrom behindern kann.
- Nehmen Sie kein giftiges Material auf (Chlorbleiche, Ammoniak, Abflussreiniger usw.). Heben Sie keine harten oder scharfen Gegenstände wie Glas, Nägel, Schrauben, Münzen usw. auf.
- Verwenden Sie das Gerät nicht in einem geschlossenen Raum, der mit Dämpfen gefüllt ist, die von ölhaltigen Farben, Farbverdünnern, einigen Mottenschutzmitteln, brennbarem Staub oder anderen explosiven oder giftigen Dämpfen abgegeben werden. Nehmen Sie keine brennenden oder rauchenden Gegenstände auf, wie z. B. Zigaretten, Streichhölzer oder heiße Asche.
- Verwenden Sie es nicht ohne eingesetzte Filter.
- Halten Sie Haare, lose Kleidung, Finger und alle Körperteile von den Öffnungen und beweglichen Teilen des Geräts und seines Zubehörs fern.
- Halten Sie Erdungskabel vom Gerät fern, da eine Gefahr auftreten kann, wenn das Gerät in Betrieb über ein Netzkabel läuft.
- Gehen Sie bei der Reinigung auf Treppen besonders vorsichtig vor.

# Wichtige Sicherheitshinweise

## Wartung und Lagerung



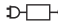

- Verhindern Sie ein unbeabsichtigtes Starten. Vergewissern Sie sich, dass der Schalter in der AUS-Stellung ist, bevor Sie das Gerät in die Hand nehmen oder tragen. Das Tragen des Geräts mit dem Finger auf dem Schalter oder auf dem stromführenden Gerät, das den Schalter eingeschaltet hat, trägt zu Unfällen bei.
- Stellen Sie sicher, dass das Gerät auf einer horizontalen Fläche steht. Verwenden Sie das Gerät nicht an der gleichen Stelle, wenn das Gerät mit einer Walzenbürste ausgestattet ist und der Griff nicht vollständig aufrecht steht. Lagern Sie das Gerät nicht an einem Ort, an dem es einfrieren kann.
- Schalten Sie das Gerät bei Nichtgebrauch vor dem Reinigen, Warten aus, oder bevor Sie es mit einer beweglichen Bürste anschließen oder trennen.
- Verwenden Sie kein Gerät, das beschädigt oder modifiziert ist. Beschädigte oder modifizierte Batterien können ein unvorhersehbares Verhalten zeigen, was zu Feuer, Explosion oder Verletzungsgefahr führen kann.
- Verändern Sie das Gerät nicht und versuchen Sie nicht, es zu reparieren, es sei denn, dies ist in der Gebrauchs- und Pflegeanleitung angegeben.
- Verwenden Sie das Gerät nicht mit einem beschädigten Aufsatz (z. B. Ladestation, Ladekabel usw.). Sollte das Gerät oder der Zubehörtel heruntergefallen sein, beschädigt worden sein, im Freien gelassen worden sein, ins Wasser gefallen sein oder nicht ordnungsgemäß funktionieren, versuchen Sie niemals, das Gerät zu benutzen. Lassen Sie das Gerät von einem autorisierten Servicecenter reparieren.
- Lassen Sie die Wartung von einer qualifizierten Reparaturkraft durchführen, die nur identische Ersatzteile verwendet. Dadurch wird sichergestellt, dass die Sicherheit des Produkts erhalten bleibt.

## Akku und Aufladen

- Zum Aufladen des Gerätes nur die mitgelieferte Ladestation verwenden. Nur mit Netzadapter <YLS0251B-E260090> verwenden.
- Befolgen Sie alle Ladeanweisungen und laden Sie das Gerät nicht außerhalb des in der Batterie angegebenen Temperaturbereichs auf, da dies die Brandgefahr erhöht.
- Halten Sie Erdungskabel vom Gerät fern, da eine Gefahr auftreten kann, wenn das Gerät in Betrieb über ein Netzkabel läuft.
- Ziehen oder tragen Sie den Adapter nicht am Kabel, wobei Sie Kabel als Griff verwenden, Tür am Kabel schließen oder Kabel um scharfe Kanten oder Ecken ziehen.
- Dieses Produkt enthält Batterien, die nur durch qualifizierte Techniker oder Kundendienst ersetzt werden können.
- Der Lithium-On-Akku enthält umweltgefährdende Substanzen. Bevor Sie das Gerät entsorgen, entfernen Sie bitte zuerst den Batteriesatz, dann werfen Sie ihn oder recyceln Sie ihn gemäß den lokalen Gesetzen und Vorschriften des Landes oder der Region, in dem er verwendet wird.
- Das Gerät muss beim Entfernen der Batterie vom Netzteil getrennt werden. Batterien außerhalb der Reichweite von Kindern aufbewahren. Nehmen Sie Batterien niemals in den Mund. Im Falle des Verschluckens wenden Sie sich an Ihren Arzt oder die örtliche Giftnotrufzentrale.
- Kommen Sie unter missbräuchlichen Bedingungen niemals die Batterie in Berührung, aus der die Flüssigkeit ausgeworfen wird. Wenn die Berührung versehentlich auftritt, spülen Sie mit Wasser ab. Wenn die Flüssigkeit mit den Augen in Berührung kommt, suchen Sie sofort ärztliche Hilfe auf. Die aus der Batterie ausgestoßene Flüssigkeit kann Reizungen oder Verbrennungen verursachen.

# Wichtige Sicherheitshinweise

## Symbole

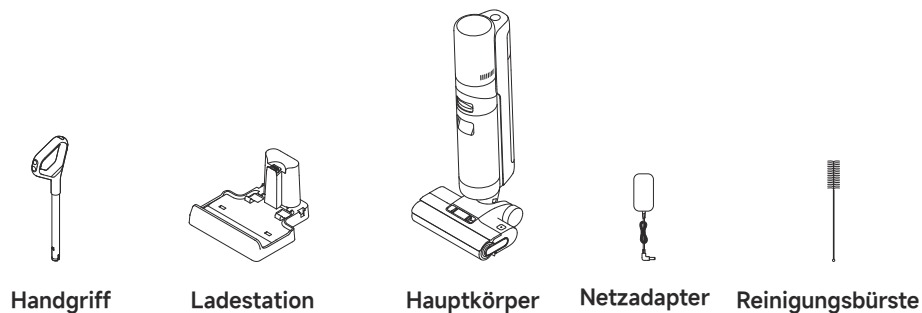
-  Nur für den Innenbereich geeignet
-  Bedienungsanleitung lesen
-  Abnehmbares Netzteil
-  WEEE-Informationen  
Alle mit diesem Symbol gekennzeichneten Produkte sind Elektroschrott und Elektrogeräte (WEEE entsprechend EU-Richtlinie 2012/19/EU) und dürfen nicht mit unsortiertem Haushaltsmüll vermischt werden. Schützen Sie stattdessen Ihre Mitmenschen und die Umwelt, indem Sie Ihre zu entsorgenden Geräte an eine dafür vorgesehene, von der Regierung oder einer lokalen Behörde eingerichtete Sammelstelle zum Recycling von Elektroschrott und Elektrogeräten bringen. Eine ordnungsgemäße Entsorgung und Recycling helfen, negative Auswirkungen auf die Gesundheit von Umwelt und Menschen zu vermeiden. Wenden Sie sich bitte an den Installateur oder lokale Behörden, um Informationen zum Standort und den allgemeinen Geschäftsbedingungen solcher Sammelstellen zu erhalten.

Wir, Dreame Trading (Tianjin) Co., Ltd., bestätigen hiermit, dass dieses Gerät mit dergeltenden Verordnungen und europäischen Normen sowie etwaigen Ergänzungen in Einklang steht. Der vollständige Wortlaut der EU-Konformitätserklärung ist unter der folgenden Internetadresse abrufbar: <https://global.dreame.tech.com>

Ein detailliertes elektronisches Handbuch finden Sie unter <https://global.dreame.tech.com/pages/user-manuals-and-faqs>

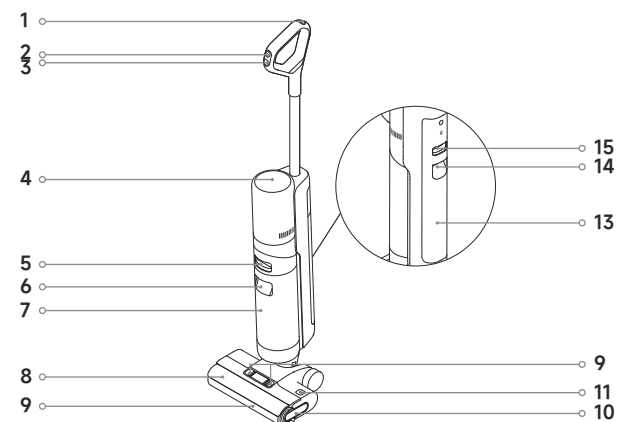
## Produktübersicht



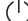
### Packliste



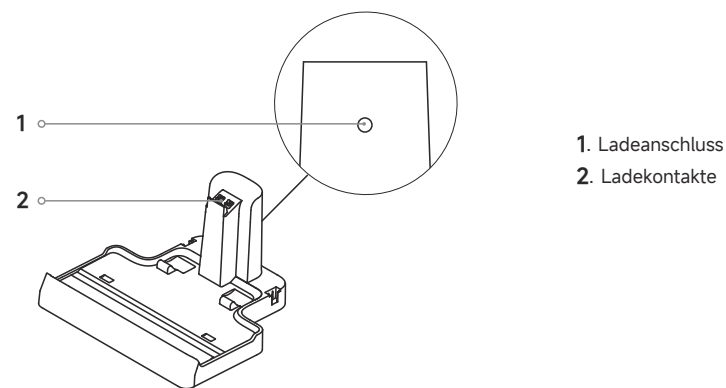
# Produktübersicht

## Staubsaugen



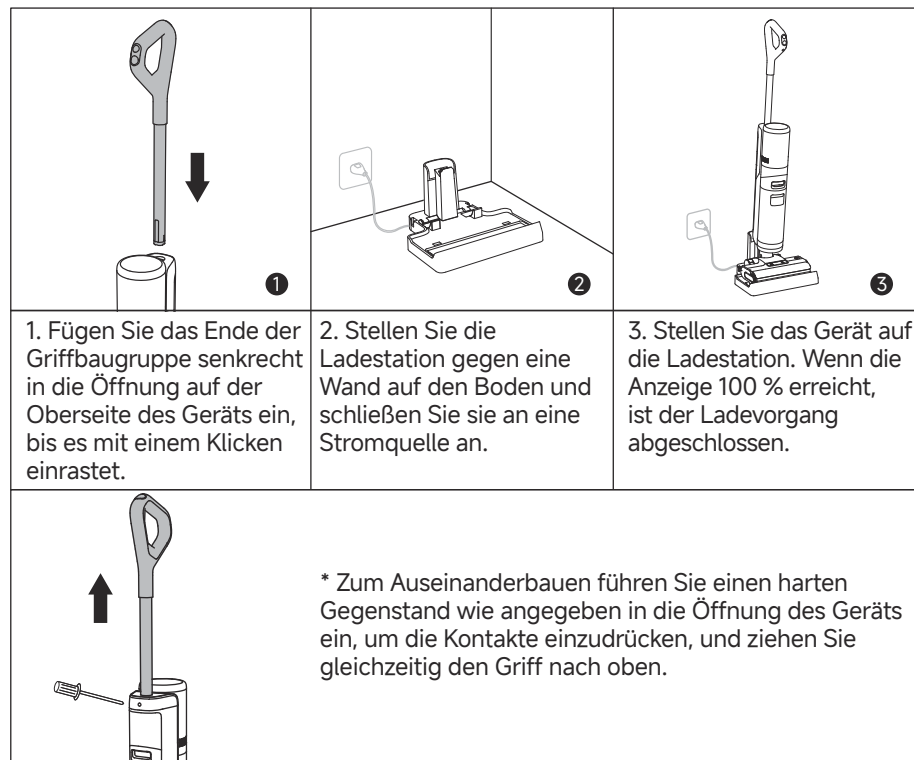
- |   |   |    |  |    |   |
|---|---|----|--|----|---|
| 1 |  Selbstreinigungstaste | 8  | Abdeckung der Walzenbürste                     | 14 | Griff für Frischwasserbehälter              |
| 2 |  Modusschalter         | 9  | Walzenbürste                                   | 15 | Entriegelungstaste für den Frischwassertank |
| 3 |  Netzschalter          | 10 | Handgriff der Walzenbürste                     |    |   |
| 4 | Bildschirm  | 11 | Walzenbürsten-Entriegelungstaste               |    |   |
| 5 | Entriegelungstaste für Schmutzwassertank  | 12 | Entriegelungstasten der Walzenbürstenabdeckung |    |   |
| 6 | Griff für Schmutzwasserbehälter-  |    |  |    |   |
| 7 | Schmutzwasserbehälter   | 13 | Frishwasserbehälter                            |    |   |

## Ladestation



# Installation und Aufladen

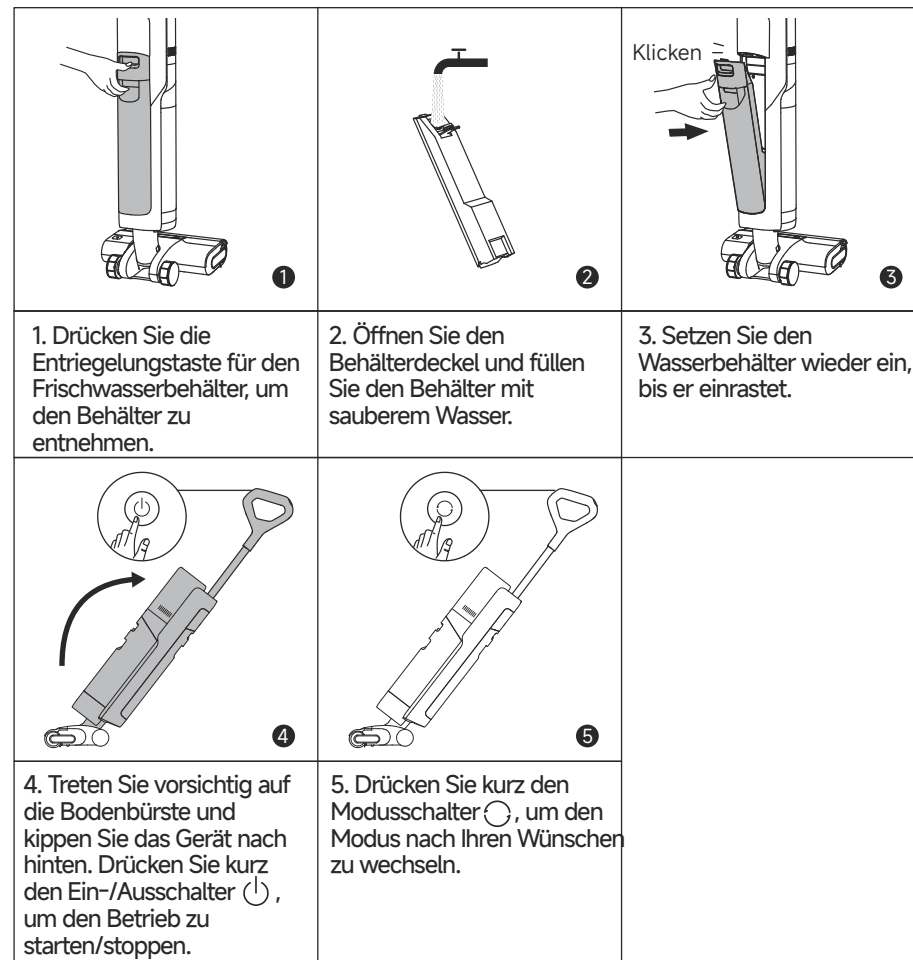
Laden Sie das Gerät vor dem ersten Gebrauch vollständig auf.



## Hinweis:

- Wenn innerhalb von 10 Minuten nach dem vollständigen Aufladen kein Betrieb erfolgt, wechselt das Gerät in den Ruhemodus. Bitte starten Sie das Gerät neu, wenn Sie es wieder benutzen möchten.
- Um die Lebensdauer des Akkus zu verlängern, kühlt sich der Akku nach längerem Gerätebetrieb automatisch ab.

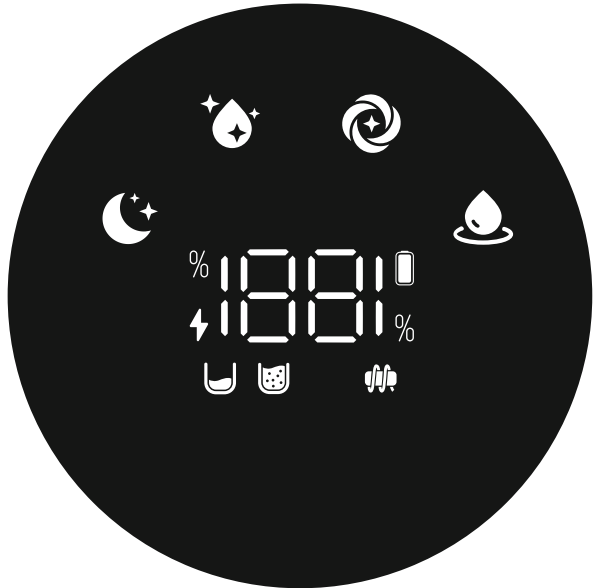
# Reinigung wird gestartet



## Hinweis:

- Verwenden Sie es nicht, zum Saugen von schäumenden Flüssigkeiten.
- Während des Betriebs wird das Gerät in aufrechter Position gehalten.
- Stellen Sie das Gerät nicht mehr als 140° nach hinten, um zu verhindern, dass Wasser austritt.
- Das Gerät eignet sich zur Reinigung von Böden, Marmor, Fliesen und anderen harten Oberflächen.
- Wenn das Gerät in Betrieb ist, heben Sie es nicht vom Boden ab, bewegen Sie es nicht und kippen Sie es nicht. Anderenfalls kann das Schmutzwasser in den Motor gelangen.
- Keine anderen Flüssigkeiten als die offiziell zugelassenen Reinigungsmittel zugeben. Der Reiniger ist im offiziellen Online-Store erhältlich. Auf dem Etikett der Reinigungslösung finden Sie spezifische Anweisungen zur Verwendung.

# Bildschirm



**Leiser Modus**  
Das Gerät hält eine moderate Saugleistung bei einem niedrigen Geräuschpegel aufrecht.

**Standardmodus**  
Mittelstarke Saugkraft und Wasserdurchfluss für die Routinereinigung.

**Turbomodus**  
Maximale Saugleistung und erhöhter Wasserdurchfluss für hartnäckige Flecken auf Hartböden.

**Saugmodus**  
Saugt eine große Menge Wasser vom Boden auf.

**Ladeindikator**

- Hauchend Orange: Akkustand ≤ 20 % (Aufladen)
- Hauchend grün: Akkustand > 20 % (Aufladen)
- Dauerhaft grün: Voll aufgeladen

**Batterieanzeige**

- Dauerhaft grün: Akkustand > 20 %
- Leuchtet orange: Akkustand ≤ 20 %

**Zu wenig Wasser im Frischwasserbehälter**  
Füllen Sie den Frischwasserbehälter auf.

**Der Schmutzwasserbehälter ist voll**  
Den Schmutzwasserbehälter leeren.

**Walzenbürste ist blockiert**  
Reinigen Sie die Walzenbürste mit der mitgelieferten Reinigungsbürste.

# Entleeren des Schmutzwasserbehälters

<p>1</p>	<p>2</p>	<p>3</p>
<p>1. Drücken Sie die Entriegelungstaste für den Schmutzwasserbehälter, um den Tank herauszunehmen.</p>	<p>2. Halten Sie die Schmutzwasserbehälter-Abdeckung fest und ziehen Sie sie heraus. Halten Sie den Filter fest und ziehen Sie ihn nach oben heraus. Entfernen Sie Verunreinigungen aus dem Filter.</p>	<p>3. Gießen Sie das Schmutzwasser aus und spülen Sie den Behälter mit sauberem Wasser aus.</p>
<p>4</p>	<p>5</p>	<p>6</p>
<p>4. Reinigen Sie die Innenwände des Behälters mit der mitgelieferten Reinigungsbürste.</p>	<p>5. Nach der Reinigung setzen Sie den Filter in die Schmutzwasserbehälter-Abdeckung ein, und setzen Sie die Schmutzwasserbehälter-Abdeckung wieder in den Behälter ein.</p>	<p>6. Setzen Sie den Boden des Behälters in den Hauptkörper ein. Kippen Sie den Behälter in Richtung des Hauptkörpers, bis er einrastet.</p>

## Selbstreinigung auf Knopfdruck

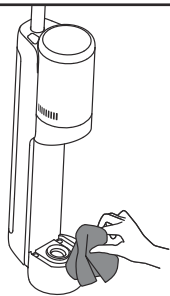
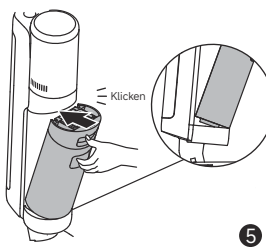
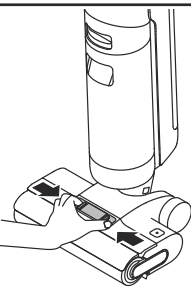
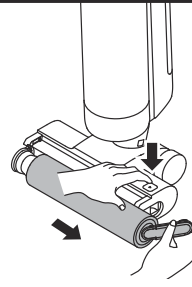

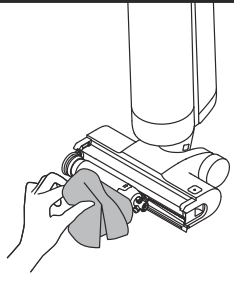
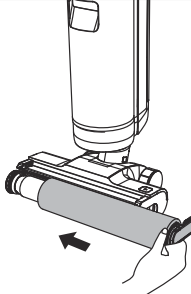
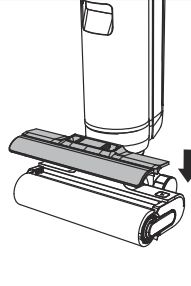
		
<p>1. Setzen Sie das Gerät wieder auf die Basis. Stellen Sie sicher, dass der Wasserstand im Frischwasserbehälter für die Selbstreinigung ausreichend ist.</p>	<p>2. Drücken Sie kurz die Selbstreinigungstaste oben auf dem Griff, um die Selbstreinigung zu starten (Akkustand <math>\geq 20\%</math>).</p>	<p>3. Nach Abschluss der Selbstreinigung leuchtet die  auf. Leeren Sie den Schmutzwasserbehälter umgehend.</p>

## Pflege und Wartung

### Tipps:

- Schalten Sie das Gerät vor der Wartung aus. Berühren Sie nicht den Ein-/Ausschalter.
- Teile müssen bei Bedarf ausgetauscht werden. Bitte verwenden Sie die vom Originalwerk vorgesehenen Teile, um Schäden am Produkt aufgrund von Ungeeignetheit zu vermeiden.
- Wenn das Gerät längere Zeit nicht verwendet wird, laden Sie es vollständig auf, ziehen Sie den Netzstecker ab und lagern Sie das Gerät in einer kühlen Umgebung mit geringer Luftfeuchtigkeit, fern von direkter Sonneneinstrahlung. Um das übermäßige Entladen des Akkus zu vermeiden, laden Sie das Gerät mindestens alle 3 Monate auf.

		
<p>1. Gießen Sie das Schmutzwasser aus, entfernen Sie den Filter und spülen Sie den Wasserbehälter und die Behälterabdeckung mit sauberem Wasser aus.</p>	<p>2. Klopfen Sie den auf der Filteroberfläche befindlichen Staub vorsichtig ab. Bei Verschmutzung des Filters spülen Sie ihn mit Wasser ab.</p>	<p>3. Nach dem vollständigen Trocknen des Filters setzen Sie ihn wieder in die Abdeckung des Schmutzwasserbehälters ein. Setzen Sie die Abdeckung des Schmutzwasserbehälters in den Behälter ein.</p>

		
<p>4. Wischen Sie den Schlauch vorsichtig vor dem Gebrauch mit einem feuchten Tuch ab. Spülen Sie den Schlauch nicht aus.</p>	<p>5. Setzen Sie den Boden des Behälters in den Hauptkörper ein. Kippen Sie den Behälter in Richtung des Hauptkörpers, bis er einrastet.</p>	<p>6. Drücken Sie die Entriegelungstaste der Bürstenrollenabdeckung nach innen, um die Abdeckung zu entfernen.</p>
		
<p>7. Drücken Sie die Walzenbürsten-Entriegelungstaste, um den Walzenbürstengriff hochzuklappen. Ziehen Sie den Walzenbürstengriff hoch, um die Walzenbürste herauszunehmen.</p>	<p>8. Entfernen Sie mit der mitgelieferten Reinigungsbürste alle Haare und Verschmutzungen, die sich auf der Walzenbürste verfangen haben. Spülen Sie die Walzenbürste mit sauberem Wasser aus.</p>	<p>9. Wischen Sie den Saugeinlass mit einem trockenen Tuch oder einem feuchten Lappen ab. Spülen Sie die Bürsten-Aufsätze nicht mit Wasser ab.</p>
		
<p>10. Nach dem vollständigen Trocknen der Walzenbürste halten Sie den Walzenbürstengriff fest und setzen ihn wieder ein.</p>	<p>11. Drücken Sie die Walzenbürstenabdeckungs-Entriegelungstaste auf beiden Seiten nach innen und richten Sie die Bürstenabdeckung an der Bürste aus. Drücken Sie nach unten, bis die Abdeckung einrastet.</p>	

## Pflege und Wartung

### Hinweis:

- Es wird empfohlen, den Filter alle 3 bis 6 Monate auszutauschen.
- Reinigen Sie die Walzenbürste nach Bedarf. Es wird empfohlen, die Walzenbürste alle 3 bis 6 Monate auszutauschen.

## Fehlersuche

Wenn ein Fehler auftritt, wird das Gerät nicht mehr funktionieren. Bitte beachten Sie die folgende Tabelle zur Fehlerbehebung. Wenn das Problem weiterhin besteht, wenden Sie sich bitte an den Kundendienst.

Fehler	Mögliche Ursache	Lösung
Das Gerät funktioniert nicht	Der Akku des Geräts ist leer oder der Akkustand ist niedrig	Laden Sie den Akku vor dem Gebrauch vollständig auf
	Das Gerät befindet sich in der aufrechten Position	Stellen Sie das Gerät nach hinten
	Der Überhitzungsschutzmodus wurde durch eine Verstopfung aktiviert	Beseitigen Sie die Verstopfung und warten Sie, bis die Temperatur wieder normal ist
	Der Schmutzwasserbehälter ist voll	Den Schmutzwasserbehälter leeren
	Der Griff, die Walzenbürste oder der Schmutzwasserbehälter ist nicht richtig installiert	Vergewissern Sie sich, dass der Griff, die Walzenbürste und der Schmutzwasserbehälter richtig eingesetzt sind
Das Gerät wird langsam aufgeladen	Die Temperatur des Akkus ist zu niedrig oder zu hoch	Warten Sie, bis sich die Temperatur des Akkus wieder normalisiert hat
Die Saugleistung des Gerätes ist niedrig	Der Filter ist verstopft	Reinigung des Filters
	Der Saugeinlass oder -rohr ist blockiert	Reinigen Sie das Rohr und die Saugöffnung
Der Motor macht ein seltsames Geräusch	Zu viel Schmutzwasser im Schmutzwasserbehälter	Den Schmutzwasserbehälter leeren
	Die Hauptaugöffnung ist blockiert	Beseitigen Sie eventuelle Verstopfungen in der Hauptaugöffnung
Die Akkustatusanzeige leuchtet während des Ladevorgangs nicht	Das Kabel der Ladestation ist nicht in die Steckdose eingesteckt	Stellen Sie sicher, dass das Kabel der Ladestation eingesteckt ist
	Das Gerät wird nicht richtig an die Ladestation angeschlossen	Stellen Sie sicher, dass das Gerät richtig auf der Ladestation platziert ist

## Fehlersuche

Es kommt kein Wasser aus dem Gerät	Der Frischwasserbehälter ist nicht ordnungsgemäß installiert, oder der Wasserstand im Frischwasserbehälter ist zu niedrig	Setzen Sie den Frischwasserbehälter wieder ein oder füllen Sie ihn auf
	Es dauert 30 Sekunden, um die Walzenbürste zu befeuchten	Schalten Sie das Gerät ein und überprüfen Sie es in 30 Sekunden erneut
Wasseraustritt an der Oberseite des Schmutzwasserbehälters	Eine Kollision oder starkes Ziehen führt dazu, dass Wasser in den Motor gelangt	Bewegen Sie das Gerät vorsichtig hin und her, wenn es eingeschaltet ist
	Der Filter ist nach der Reinigung nicht vollständig trocken	Den Filter vor Gebrauch gründlich abtrocknen
Selbstreinigung ist fehlgeschlagen	Ein Gegenstand verklemt sich in der Walzenbürste	Öffnen Sie die Walzenbürstenabdeckung, um die Walzenbürste zu überprüfen und zu reinigen
	Das Gerät wird nicht richtig an die Ladestation angeschlossen	Stellen Sie sicher, dass das Gerät vor der Selbstreinigung aufgeladen wird
	Die Selbstreinigung kann nicht gestartet werden, wenn der Batteriestand weniger als 20 % beträgt	Die Selbstreinigungsfunktion kann nur aktiviert werden, wenn das Gerät geladen ist und der Akkustand mehr als 20 % beträgt
	Der Schmutzwasserbehälter ist nicht installiert oder ist voll	Installieren oder leeren Sie den Schmutzwasserbehälter
	Der Frischwasserbehälter ist nicht richtig installiert, oder der Wasserstand im Frischwasserbehälter ist zu niedrig	Setzen Sie den Frischwasserbehälter wieder ein oder füllen Sie ihn auf

Für weitere Serviceleistungen kontaktieren Sie uns bitte über <https://global.dreamotech.com/pages/contact-us>

Website: <https://global.dreamotech.com>

## Fehlermeldungen und Lösungen

Wenn das Gerät nicht ordnungsgemäß funktioniert, wird auf dem Bildschirm eine Fehlermeldung angezeigt. Schauen Sie in der Tabelle „Fehlerbehebung“ nach, um eine Lösung zu finden.

## Fehlermeldungen und Lösungen

Code zur Fehlersuche	Mögliche Ursache	Lösung
E1 - E7	Fehler	Zur Fehlerbehebung das Gerät neu starten. Wenn das Problem weiterhin besteht, wenden Sie sich bitte an den Kundendienst
H1 - H6		
H7	Akku-Überhitzung	Warten Sie, bis sich die Temperatur des Akkus wieder normalisiert hat
E8	Blockierte Röhre	Reinigen Sie den Schlauch wie im Abschnitt „Pflege und Wartung“ beschrieben.

## Spezifikationen

Staubsaugen			
Modell	HHR20A	Ladezeit	ca. 4,5 Stunden
Bemessungsspannung	21,6 V ===	Bemessungsleistung	200 W
Kapazität des Reinwasserbehälters	900mL	Kapazität des Schmutzwasserbehälters	700 ml
Netzadapter			
Modell	YLS0251B-E260090		
Nenneingang	100–240 V ~ 50 /60 Hz 0,8 A Max.	Nennausgang	26,0 V === 0,9 A
Durchschnittliche aktive Effizienz	87,26%	Effizienz bei geringer Last (10 %)	81,58%
Stromverbrauch im Leerlauf	0,1 W	Hersteller	Dongguan Yinli Electronics Co, Ltd.

## Entsorgung und Entfernung von Batterien

Die eingebaute Lithium-Ionen-Batterie enthält umweltgefährdende Substanzen. Stellen Sie vor der Entsorgung der Batterie sicher, dass die Batterie von qualifizierten Technikern entfernt und in einer geeigneten Recyclinganlage entsorgt wird.

- die Batterie muss vor dem Verschrotten aus dem Gerät entfernt werden;
- das Gerät muss beim Ausbau der Batterie vom Netz getrennt werden;
- die Batterie muss sicher entsorgt werden.

### Anleitung zum Entfernen

1. Entfernen Sie die Verschlusschraube oben auf der Rückseite des Geräts und nehmen Sie die Schraube mit einem Schraubenzieher heraus.
2. Entfernen Sie die Display-Baugruppe mit einem geeigneten Werkzeug und trennen Sie die Kabel ab.
3. Entfernen Sie alle Befestigungsschrauben des Gehäuses mit einem Schraubendreher.
4. Entfernen Sie die Schrauben an der Akku-Baugruppe und nehmen Sie anschließend die Akku-Abdeckung ab.
5. Trennen Sie die Anschlusskabel des Akkus und nehmen Sie den Akku aus der Akku-Baugruppe heraus.

### ACHTUNG:

- Bevor Sie den Akku entfernen, trennen Sie die Stromversorgung und lassen Sie den Akku komplett leer laufen.
- Nicht benötigte Batterien sollten in einer geeigneten Recyclinganlage entsorgt werden.
- Lassen Sie den Akku nicht in einer Umgebung mit extrem hohen Temperaturen, um Explosionsrisiken zu vermeiden.
- Unter missbräuchlicher Verwendung kann Flüssigkeit aus der Batterie ausgestoßen werden. Wenn Sie aus Versehen anfassen, spülen Sie mit Wasser und suchen Sie medizinische Hilfe.

### Garantie

1. Die Garantie von Dreame gilt für Material- und Verarbeitungsfehler, die zum Zeitpunkt des Kaufs nicht zu erkennen waren.
2. Garantiezeit: Bitte wenden Sie sich für weitere Informationen an die Kundendienststelle. Gelten in der Region des Endverbrauchers andere Vorschriften, so sind die lokalen Vorschriften maßgebend.
3. Die Garantie gilt nicht in den folgenden Fällen:
  - a) Fehler durch Unachtsamkeit sowie Verwendung oder Installation, die nicht den Anweisungen von Dreame entsprechen.
  - b) Eingriffe und/oder Modifikationen am Produkt, die durch nicht ausdrücklich von Dreame autorisierte Stellen oder Personen durchgeführt wurden.
  - c) Schäden, die auf zufällige Ursachen und/oder Nachlässigkeit seitens des Verbrauchers zurückzuführen sind, insbesondere an externen Teilen.
  - d) Verschleißteile, die keine Herstellungsfehler aufweisen.
  - e) Es liegt kein gültiger Kaufbeleg (Kassenzettel, Rechnung o.ä.) vor, der das Kaufdatum des Produkts bestätigt.
  - f) Das Modell und/oder die Produktnummern auf dem Kaufbeleg stimmen nicht mit dem Modell und/oder den Nummern auf dem Produkt überein.
4. Weitere Informationen zur Garantie finden Sie auf der offiziellen Dreame Website: <https://global.dreametech.com>

## Instructions importantes de sécurité

Veillez lire attentivement ce manuel avant l'utilisation et le conserver pour référence ultérieure.

Lors de l'utilisation d'un appareil électrique, des précautions de base doivent toujours être prises, notamment les suivantes :

LISEZ TOUTES LES INSTRUCTIONS AVEC D'UTILISER (CET APPAREIL). Ces messages d'avertissement et ces instructions doivent être suivis pour éviter les risques d'électrocution, de départ de feu et d'éventuelles blessures.

**AVERTISSEMENT** — Pour éviter les risques de départ de feu, de choc électrique ou de blessures :

### Restrictions d'utilisation

- Cet appareil ne doit pas être utilisé par des enfants âgés de moins de 8 ans et des personnes ayant un handicap physique, sensoriel ou intellectuel, ou une connaissance ou une expérience limitée sans la surveillance d'un parent ou d'un tuteur pour assurer un fonctionnement en toute sécurité et éviter les risques. Les opérations de nettoyage et d'entretien ne doivent pas être effectuées par les enfants sans supervision.
- Le film plastique peut être dangereux. Pour éviter tout risque de suffocation, tenez-le à l'écart des enfants. Les enfants ne doivent pas jouer avec l'appareil.
- N'utilisez l'appareil qu'à l'intérieur, sur des surfaces de sol non recouvertes de tapis, comme le vinyle, le carrelage, le bois scellé, etc. Veillez à ne pas rouler sur des objets non fixés ou sur les bords d'un tapis. Le fait de bloquer la brosse peut entraîner une défaillance prématurée de la courroie.
- N'utilisez que ce qui est décrit dans ce guide de l'utilisateur. N'utilisez que les accessoires recommandés par le fabricant.
- N'exposez pas l'appareil au feu ou à une température excessive. L'exposition au feu ou à une température excessive peut provoquer une explosion.
- Ne pas utiliser dans des conditions de froid ou de chaleur extrêmes (moins de 5°C/41°F ou plus de 40°C/104°F). Rechargez l'appareil à une température supérieure à 5°C/41°F et inférieure à 40°C/104°F.
- Ne plongez pas l'appareil dans un liquide.
- N'utilisez pas l'appareil pour aspirer des liquides combustibles ou inflammables, tels que l'essence. N'utilisez pas l'appareil dans des zones où des liquides inflammables ou combustibles peuvent être présents.
- Ne mettez aucun objet dans les ouvertures. N'utilisez pas l'appareil lorsqu'une ouverture est bloquée. Ne laissez pas la poussière, des peluches, des cheveux ou d'autres éléments entraver la circulation de l'air.
- Ne ramassez pas de produits toxiques (eau de Javel, ammoniaque, déboucheur de canalisations, etc.). Ne ramassez pas d'objets durs ou pointus tels que du verre, des clous, des vis, des pièces de monnaie, etc.
- N'utilisez pas l'appareil dans un espace clos rempli de vapeurs de peinture à l'huile, de diluant pour peinture, de certaines substances antimites, de poussières inflammables ou d'autres vapeurs explosives ou toxiques. Ne ramassez rien qui brûle ou qui fume, comme des cigarettes, des allumettes ou des cendres chaudes.
- N'utilisez pas l'appareil si les filtres ne sont pas en place.
- Tenez les cheveux, les vêtements amples, les doigts et toutes les parties du corps éloignés des ouvertures et des parties mobiles de l'appareil et de ses accessoires.
- Éloignez les câbles de mise à la terre de l'appareil lorsque vous l'utilisez. Un danger peut survenir si l'appareil passe sur un cordon d'alimentation.
- Faites très attention lorsque vous nettoyez les escaliers.

## Instructions importantes de sécurité

### Entretien et stockage

- Empêchez tout démarrage intempestif. Assurez-vous que l'interrupteur est en position d'arrêt avant de soulever ou de transporter l'appareil. Le fait de porter l'appareil avec le doigt sur l'interrupteur ou d'allumer l'appareil peut provoquer un accident.
- Assurez-vous que l'appareil est placé sur une surface horizontale. N'utilisez pas l'appareil dans la même position si l'appareil est équipé d'une brosse à rouleau et que la poignée n'est pas complètement verticale. Ne rangez pas l'appareil dans un endroit où il risque de geler.
- Éteignez et débranchez l'appareil lorsqu'il n'est pas utilisé, avant de le nettoyer, de l'entretenir ou de le réparer, et avant de le connecter ou de le déconnecter avec une brosse en mouvement.
- N'utilisez pas un appareil endommagé ou modifié. Un appareil endommagé ou modifié peut avoir un comportement imprévisible et provoquer un incendie, une explosion ou un risque de blessure.
- Ne modifiez pas ou n'essayez pas de réparer l'appareil sauf comme indiqué dans les instructions d'utilisation et d'entretien.
- N'utilisez pas l'appareil avec un accessoire endommagé (par exemple : station de chargement, cordon d'alimentation, etc.). Si l'appareil ou l'accessoire est tombé, a été endommagé, est resté à l'extérieur, est tombé dans l'eau ou ne fonctionne pas comme il le devrait, n'essayez jamais de le faire fonctionner. Veuillez le faire réparer dans un centre de service agréé.
- Confiez l'entretien à un réparateur qualifié qui n'utilisera que des pièces de rechange identiques. Cela permet de garantir la sécurité de l'appareil.

### Batterie et mise en charge

- Pour recharger l'appareil, utilisez uniquement la station de chargement fournie avec cet appareil. Utilisez uniquement l'adaptateur <YLS0251B-E260090>.
- Suivez toutes les instructions de chargement et ne chargez pas l'appareil en dehors de la plage de température spécifiée dans la batterie, car cela augmente le risque de départ de feu.
- Éloignez les câbles de mise à la terre de l'appareil lorsque vous l'utilisez. Un danger peut survenir si l'appareil passe sur un cordon d'alimentation.
- Ne tirez pas ou ne transportez pas l'adaptateur par le câble, n'utilisez pas le câble comme une poignée, ne fermez pas de porte sur le câble et ne tirez pas le câble autour de bords ou d'angles tranchants.
- Cet appareil contient des batteries qui ne peuvent être remplacées que par des techniciens qualifiés ou des personnes du service après-vente.
- La batterie lithium-ion contient des substances dangereuses pour l'environnement. Avant de mettre l'appareil au rebut, veuillez d'abord retirer la batterie, puis la mettre au rebut ou la recycler conformément aux lois et réglementations locales du pays ou de la région où elle est utilisée.
- L'appareil doit être débranché de la source d'alimentation lors du retrait de la batterie. Tenez les batteries hors de portée des enfants. Ne mettez jamais les batteries dans la bouche. En cas d'ingestion, contactez votre médecin ou le centre antipoison local.
- Dans de mauvaises conditions, ne touchez jamais la batterie d'où le liquide pourrait être éjecté. En cas de contact accidentel, rincez à l'eau. Si le liquide entre en contact avec les yeux, consultez immédiatement un médecin. Le liquide éjecté de la batterie peut provoquer des irritations ou des brûlures.

## Instructions importantes de sécurité

### Symboles



Pour un usage en intérieur uniquement



Lire le mode d'emploi



Unité d'alimentation amovible



Informations concernant les DEEE

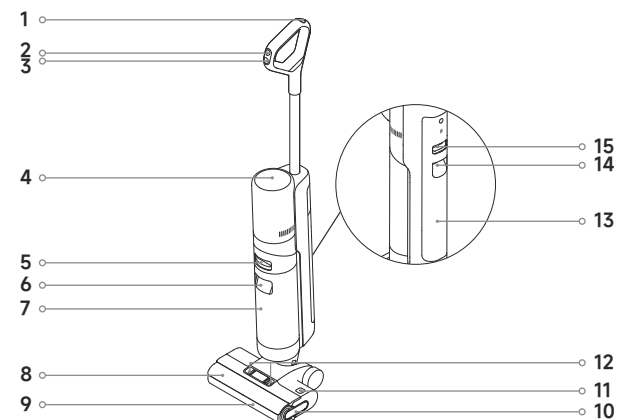
Tous les produits portant ce symbole sont des déchets d'équipements électriques et électroniques (DEEE d'après la directive 2012/19/UE) qui ne doivent pas être mélangés avec les ordures ménagères non triées. Vous devez protéger la santé humaine et l'environnement en déposant votre équipement usagé dans un point de collecte prévu à cet effet pour le recyclage des déchets d'équipements électriques et électroniques, désigné par le gouvernement et les autorités locales. Des procédures d'élimination et de recyclage adéquates permettent d'éviter les effets nocifs sur l'environnement et la santé humaine. Veuillez contacter l'installateur ou les autorités locales pour plus d'informations sur le site, ainsi que les modalités et conditions des points de collecte de ce type.

Nous, Dreame Trading (Tianjin) Co., Ltd., déclarons par la présente que cet équipement est conforme aux directives, normes européennes et amendements applicables. L'intégralité du texte de la déclaration UE de conformité est disponible à l'adresse Internet suivante : <https://global.dreametech.com>

Pour obtenir un manuel électronique détaillé, rendez-vous sur le site <https://global.dreametech.com/pages/user-manuals-and-faqs>

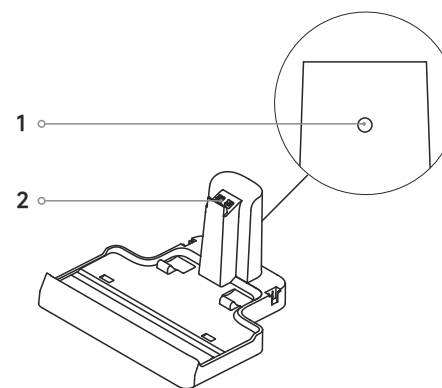
## Présentation du produit

### Aspirateur



- |   |  |    |   |    |  |
|---|--|----|---|----|--|
| 1 | Bouton de nettoyage automatique              | 8  | Couvercle de la brosse à rouleau                              | 14 | Poignée du réservoir d'eau propre              |
| 2 | Commutateur de mode                          | 9  | Brosse à rouleau  | 15 | Bouton de libération du réservoir d'eau propre |
| 3 | Interrupteur d'alimentation                  | 10 | Poignée de la brosse à rouleau                                |    |  |
| 4 | Écran d'affichage                            | 11 | Bouton de déverrouillage du rouleau-brosse                    |    |  |
| 5 | Bouton de libération du réservoir d'eau sale | 12 | Boutons de déverrouillage du couvercle de la brosse à rouleau |    |  |
| 6 | Poignée du réservoir d'eau sale              | 13 | Réservoir d'eau propre  |    |  |
| 7 | Réservoir d'eau sale                         |    |   |    |  |

### Station de chargement



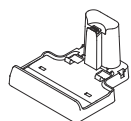
1. Port de charge
2. Contacts de charge

## Présentation du produit

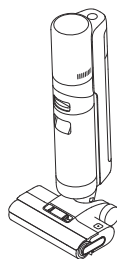
### Contenu de la livraison



Poignée



Station de chargement



Corps principal



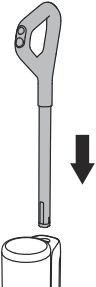
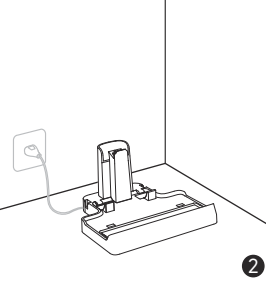
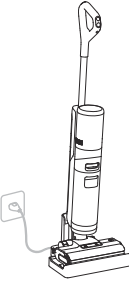
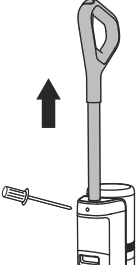
Adaptateur d'alimentation



Brosse de nettoyage

# Installation et chargement

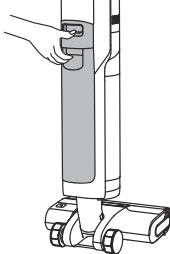

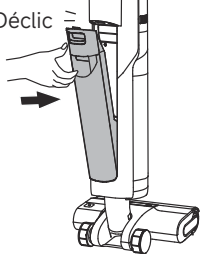
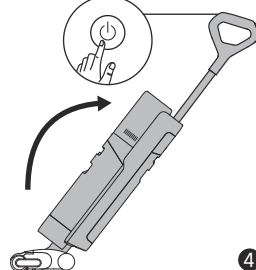
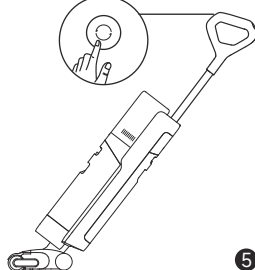
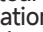

Chargez complètement l'appareil avant la première utilisation.

		
<p>1. Insérez verticalement l'extrémité de la poignée dans le port sur le dessus de l'appareil comme indiqué jusqu'à ce qu'elle s'emboîte.</p>	<p>2. Placez la station de chargement contre un mur sur un sol plat et branchez-la à une source d'alimentation.</p>	<p>3. Posez l'appareil sur la station de chargement. Lorsque l'écran atteint 100 %, la charge est terminée.</p>
<div style="display: flex; align-items: center;">  <p>* Pour le démontage, introduisez un objet dur dans le trou de l'appareil comme indiqué pour enfoncer les contacts et tirez en même temps la poignée vers le haut.</p> </div>		

## Remarque :

- Si l'appareil reste inutilisé pendant 10 minutes après la charge complète, il passe en mode veille. Veuillez redémarrer l'appareil pour l'utiliser.
- La batterie se refroidit automatiquement après une utilisation prolongée afin de prolonger sa durée de vie.

# Démarrage du nettoyage

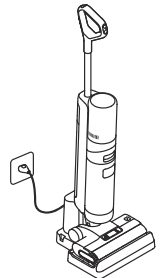
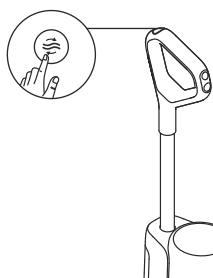
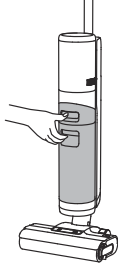

		
<p>1. Appuyez sur le bouton de libération du réservoir d'eau propre pour retirer le réservoir.</p>	<p>2. Ouvrez le couvercle du réservoir et remplissez le réservoir d'eau propre.</p>	<p>3. Réinstallez le réservoir d'eau propre jusqu'à ce qu'il s'enclenche.</p>
		
<p>4. Appuyez doucement sur la brosse à plancher avec le pied et inclinez l'appareil vers l'arrière. Appuyez brièvement sur l'interrupteur d'alimentation  pour démarrer/arrêter le fonctionnement.</p>	<p>5. Appuyez brièvement sur le commutateur de mode  pour passer d'un mode à l'autre selon vos besoins.</p>	

## Remarque :

- N'aspirez pas des liquides mousseux.
- L'appareil est suspendu en position verticale pendant qu'il fonctionne.
- N'inclinez pas l'appareil vers l'arrière à plus de 140° pour éviter tout écoulement d'eau.
- L'appareil est adapté au nettoyage des sols, du marbre, des carreaux et autres surfaces dures.
- Pendant le fonctionnement de l'appareil, évitez de le soulever du sol, de le déplacer ou de l'incliner. L'eau sale risque alors de s'écouler dans le moteur.
- N'ajoutez pas de liquide autre que le nettoyant officiellement approuvé. Le nettoyant est disponible sur la boutique en ligne officielle. Reportez-vous à l'étiquette de la solution de nettoyage pour connaître les instructions d'utilisation spécifiques.



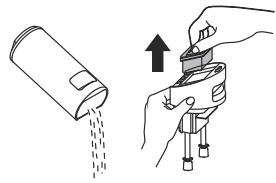

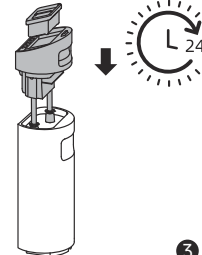
## Nettoyage automatique à une pression

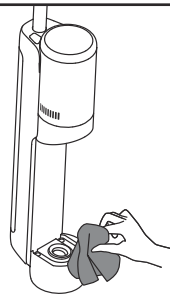
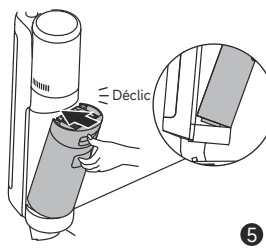
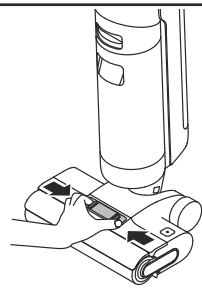
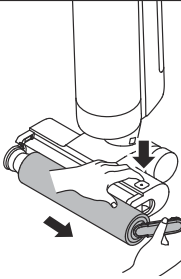

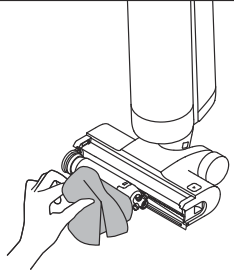
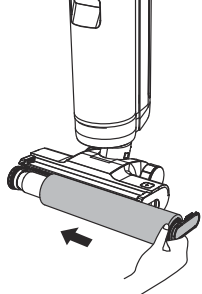
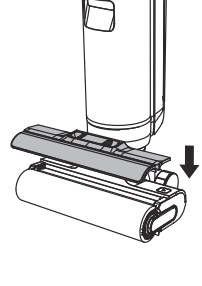
 <p>1</p>	 <p>2</p>	 <p>3</p>
<p>1. Reposez l'appareil sur la base. Assurez-vous qu'il y a suffisamment d'eau dans le réservoir d'eau propre pour le nettoyage automatique.</p>	<p>2. Appuyez brièvement sur le bouton de nettoyage automatique sur le dessus de la poignée pour démarrer/arrêter le nettoyage automatique (niveau de batterie <math>\geq 20\%</math>).</p>	<p>3. Une fois le nettoyage automatique terminé, le  s'allume. Videz rapidement le réservoir d'eau sale.</p>

## Entretien et maintenance

### Conseils :

- Éteignez l'appareil avant l'entretien. Ne touchez pas l'interrupteur d'alimentation.
- Remplacez les pièces si nécessaire. Les pièces doivent être remplacées par celles disponibles auprès du fabricant ou de son agent de service.
- Si l'appareil n'est pas utilisé pendant une longue période, chargez-le complètement, débranchez la fiche d'alimentation et rangez l'appareil dans un endroit frais, à faible humidité et à l'abri de la lumière du soleil. Pour éviter une décharge excessive de la batterie, rechargez l'appareil au moins une fois tous les 3 mois.

 <p>1</p>	 <p>2</p>	 <p>3</p>
<p>1. Videz l'eau sale, retirez le filtre et rincez le réservoir et le couvercle du réservoir avec de l'eau propre.</p>	<p>2. Éliminez délicatement la poussière flottant sur la surface du filtre. Si le filtre est sale et doit être nettoyé, rincez-le à l'eau propre.</p>	<p>3. Après avoir complètement séché le filtre, réinstallez-le dans le couvercle du réservoir d'eau sale. Insérez le couvercle du réservoir d'eau sale dans le réservoir.</p>

 <p>4</p>	 <p>5</p>	 <p>6</p>
<p>4. Essuyez délicatement le tube avec un chiffon humide avant de l'utiliser. Ne rincez pas le tube.</p>	<p>5. Insérez le bas du réservoir dans le corps principal. Inclinez le réservoir vers le corps principal jusqu'à ce qu'il s'enclenche.</p>	<p>6. Appuyez sur le bouton de déverrouillage du couvercle de la brosse à rouleau vers l'intérieur pour retirer le couvercle.</p>
 <p>7</p>	 <p>8</p>	 <p>9</p>
<p>7. Appuyez sur le bouton de déverrouillage de la brosse à rouleau pour relever la poignée de la brosse à rouleau. Soulevez la poignée de la brosse à rouleau pour retirer la brosse à rouleau.</p>	<p>8. Éliminez les cheveux ou les débris qui s'emmêlent sur la brosse à rouleau à l'aide de la brosse de nettoyage prévue à cet effet. Rincez la brosse à rouleau avec de l'eau propre.</p>	<p>9. Essuyez l'orifice d'aspiration avec un chiffon sec ou humide. Ne rincez pas l'unité de la brosse avec de l'eau.</p>
 <p>10</p>	 <p>11</p>	
<p>10. Après avoir complètement séché la brosse à rouleau, tenez la poignée de la brosse à rouleau et remettez-la en place.</p>	<p>11. Appuyez sur le bouton de déverrouillage du couvercle du rouleau-brosse vers l'intérieur des deux côtés, alignez le couvercle de la brosse avec la brosse. Appuyez jusqu'à ce que le couvercle s'emboîte.</p>	

## Entretien et maintenance

Remarque :

- Il est recommandé de remplacer le filtre tous les 3 à 6 mois.
- Nettoyez si nécessaire. Il est recommandé de remplacer le rouleau-brosse tous les 3 à 6 mois.

## Dépannage

En cas d'erreur, l'appareil s'arrête de fonctionner. Veuillez vous référer au tableau suivant pour le dépannage. Si le problème persiste, contactez le service à la clientèle.

Erreur	Cause possible	Solution
L'appareil ne fonctionne pas	L'appareil n'a plus de batterie ou son niveau de batterie est faible	Chargez complètement sa batterie avant de l'utiliser
	L'appareil est en position verticale	Inclinez l'appareil vers l'arrière
	Mode de protection contre la surchauffe activé par blocage	Éliminez l'obstruction et attendez que la température redevienne normale
	Le réservoir d'eau sale est plein	Videz le réservoir d'eau sale
	La poignée, la brosse à rouleau ou le réservoir d'eau sale n'est pas correctement installé	Assurez-vous que la poignée, la brosse à rouleau ou le réservoir d'eau sale sont tous bien en place
L'appareil se charge lentement	La température de la batterie est trop basse ou trop élevée	Attendez que la température de la batterie redevienne normale
La puissance d'aspiration de l'appareil est faible	Le filtre est bouché	Nettoyez le filtre
	L'orifice d'aspiration ou le tube est bloqué par un corps étranger	Nettoyez le tube et l'orifice d'aspiration
Le robot fait un bruit étrange	Il y a trop d'eau sale dans le réservoir d'eau sale	Videz le réservoir d'eau sale
	L'orifice d'aspiration est bloqué	Éliminez tout blocage dans l'orifice d'aspiration
L'écran d'affichage ne s'allume pas lors de la charge	La fiche de la station de chargement n'est pas insérée correctement dans la prise électrique	Assurez-vous que la fiche de la station de chargement est bien insérée
	L'appareil n'est pas correctement placé sur la station de chargement	Assurez-vous que l'appareil est correctement placé sur la station de chargement

## Dépannage

Il n'y a pas d'eau qui sort de l'appareil	Le réservoir d'eau propre n'est pas correctement installé ou le niveau d'eau dans le réservoir d'eau propre est insuffisant	Réinstallez ou remplissez le réservoir d'eau propre
	Il faut 30 secondes pour humidifier la brosse à rouleau	Allumez l'appareil et vérifiez à nouveau dans 30 secondes
Fuite d'eau par l'orifice	Un choc ou une traction brutale provoque l'entrée d'eau dans le moteur	Déplacez doucement l'aspirateur d'avant en arrière pendant qu'il est allumé
	Le filtre n'est pas complètement sec après avoir été nettoyé	Séchez complètement le filtre avant de l'utiliser
Échec du nettoyage automatique	La brosse à rouleau est peut-être bloquée par de gros débris	Ouvrez le couvercle de la brosse à rouleau pour vérifier et nettoyer la brosse à rouleau
	L'appareil n'est pas correctement placé sur la station de chargement	Assurez-vous que l'appareil est chargé de procéder au nettoyage automatique
	Le nettoyage automatique ne peut pas être activé si le niveau de la batterie est inférieur à 20 %	La fonction de nettoyage automatique ne peut être activée que lorsque l'appareil est en charge et que le niveau de la batterie est supérieur à 20 %
	Le réservoir d'eau sale n'est pas installé à sa place ou le réservoir d'eau sale est plein	Réinstallez ou videz le réservoir d'eau sale
	Le réservoir d'eau propre n'est pas installé à sa place ou le niveau d'eau dans le réservoir d'eau propre est insuffisant	Réinstallez ou remplissez le réservoir d'eau propre

Pour obtenir des services supplémentaires, veuillez nous contacter via <https://global.dreametech.com/pages/contact-us>

Site Web : <https://global.dreametech.com>

## Messages d'erreur et solutions

Si l'appareil ne fonctionne pas correctement, l'écran affichera un message d'erreur. Veuillez vous référer au tableau de dépannage pour corriger le problème.

## Messages d'erreur et solutions

Code de dépannage	Cause possible	Solution
E1-E7	Erreur	Redémarrez l'appareil pour le dépannage. Si le problème persiste, contactez le service à la clientèle
H1-H6		
H7	Surchauffe de la batterie	Attendez que la température de la batterie redevienne normale
E8	Tube bouché	Voir la section Entretien et maintenance pour nettoyer le tube.

## Caractéristiques techniques

Aspirateur			
Modèle	HHR20A	Temps de charge	Environ 4,5 h
Tension nominale	21,6 V ===	Puissance nominale	200 W
Capacité du réservoir d'eau propre	900 ml	Capacité du réservoir d'eau sale	700 ml
Adaptateur d'alimentation			
Modèle	YLS0251B-E260090		
Entrée nominale	100 - 240 V ~ 50 -60 Hz 0,8 A Max	Sortie nominale	26,0 V === 0,9 A
Efficacité active moyenne	87,26 %	Rendement à faible charge (10 %)	81,58 %
Consommation à vide	0,1 W	Fabricant	Dongguan Yinli Electronics Co., Ltd.

## Retrait et élimination de la batterie

La batterie lithium-ion intégrée contient des substances dangereuses pour l'environnement. Avant d'éliminer la batterie, assurez-vous qu'elle est enlevée par un technicien qualifié et déposée dans un centre de recyclage approprié.

- la batterie doit être retirée de l'appareil avant d'être mise au rebut ;
- l'appareil doit être déconnecté du réseau électrique lors du retrait de la batterie ;
- la batterie doit être mise au rebut en toute sécurité.

### Guide de retrait

1. Retirez le bouchon vissé en haut à l'arrière de l'appareil et retirez la vis à l'aide d'un tournevis.
2. Utilisez un outil approprié pour retirer l'écran et débrancher les câbles.
3. Utilisez un tournevis pour retirer toutes les vis de fixation du boîtier.
4. Retirez les vis de l'assemblage de la batterie, puis retirez le couvercle de la batterie.
5. Débranchez les câbles de connexion de la batterie et retirez la batterie de l'assemblage de la batterie.

### ATTENTION :

- Avant d'enlever la batterie, débranchez l'appareil et déchargez au maximum la batterie.
- Les batteries non utilisées doivent être mises au rebut dans un centre de recyclage approprié.
- N'exposez pas la batterie à un environnement à haute température pour éviter les risques d'explosion.
- En cas de mauvaise manipulation, du liquide peut s'échapper de la batterie. En cas de contact, rincez à l'eau et consultez un médecin.

### Garantie

1. Dreame est responsable envers le consommateur de tout défaut de conformité de matériau ou de fabrication non détectable au moment de l'achat.
2. Période de garantie : veuillez contacter le bureau de service après-vente pour obtenir plus d'informations. Si le territoire où se situe le client est soumis à des réglementations différentes, les réglementations locales prévalent.
3. La garantie ne s'applique pas dans les cas suivants :
  - a) Problèmes dus à la négligence, à l'utilisation ou à l'installation non conforme aux instructions fournies par Dreame.
  - b) Altération et/ou modification du produit par des entités ou des personnes non expressément autorisées par Dreame.
  - c) Dommages dus à des causes accidentelles et/ou à une négligence de la part du consommateur, en particulier en ce qui concerne les parties extérieures.
  - d) Pièces d'usure qui ne présentent pas de défaut de fabrication.
  - e) Absence de document d'achat valide (reçu, facture ou autre) fourni pour certifier la date d'achat du produit.
  - f) Modèle et/ou numéros du produit figurant sur le certificat d'achat ne correspondant pas au modèle et/ou aux numéros figurant sur le produit.
4. Pour plus d'informations sur la garantie, veuillez consulter le site officiel de Dreame : <https://globaldreameotech.com>