

GXTrust.

FORTA
USER GUIDE

WIRELESS GAMING HEADSET
FOR PLAYSTATION®5 CONSOLES



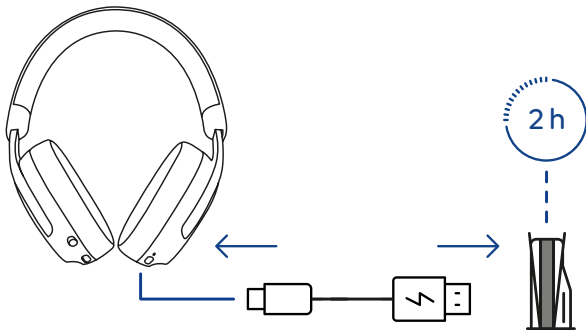
CHARGE & CONNECT

Laden & verbinden | Charger & connector | Carica e connetti
Cargary conectar | Ładuj i połącz

1

CHARGE OR RECHARGE

Aufladen oder wieder aufladen | Charger ou recharger
Caricare o ricaricare | Cargar o recargar | Naładuj lub doładuj

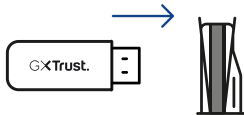


2

CONNECT THE USB RECEIVER

USB-Empfänger anschließen | Connectez le récepteur USB

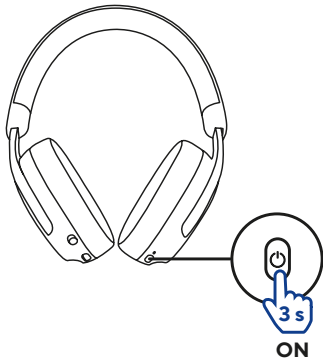
Collega il ricevitore USB | Conecta el receptor USB | Podłącz odbiornik USB



3

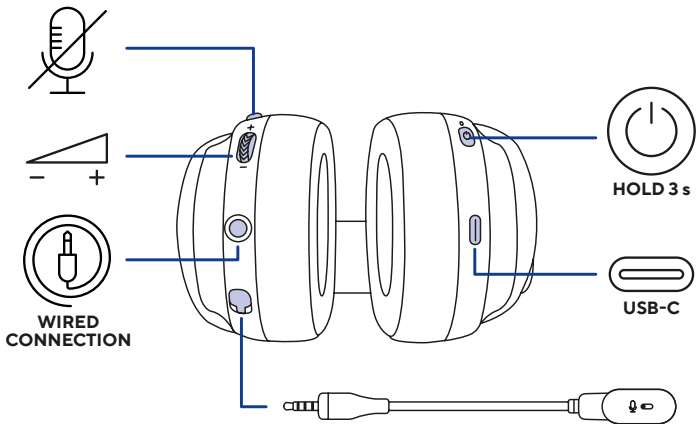
TURN THE HEADSET ON

Schalten Sie das Headset ein | Allumez le casque | Accendi le cuffie
Enciende los auriculares | Włącz zestaw słuchawkowy



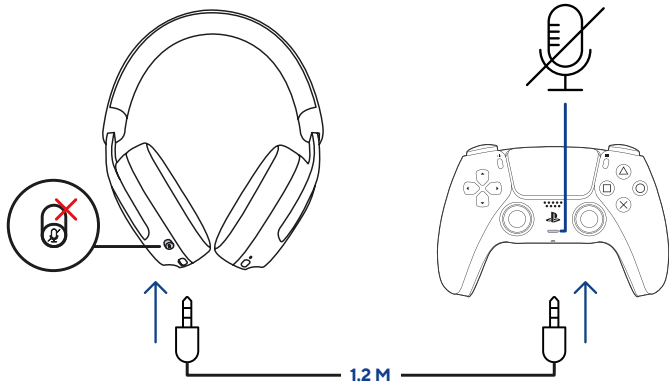
ON-EAR CONTROLS

Ohrmuschelsteuerung | Commandes sur l'oreillette | Controlli sull'auricolare | Controles en la orejera | Sterowanie nausznikowe



WIRED CONNECTION

Verkabelte Verbindung | Connexion filaire | Connessione cablata
Conexión por cable | Połączenie przewodowe



FAQ

WWW.TRUST.COM/25977/FAQ

Trust International BV - Laan van Barcelona 600 - 3317DD, Dordrecht, The Netherlands

©2026 Trust. All rights reserved.

All rights reserved. “PS” and “PlayStation” are registered trademarks or trademarks of Sony Interactive Entertainment Inc. All other trademarks are the property of their respective owners. Manufactured and distributed under license from Sony Interactive Entertainment.