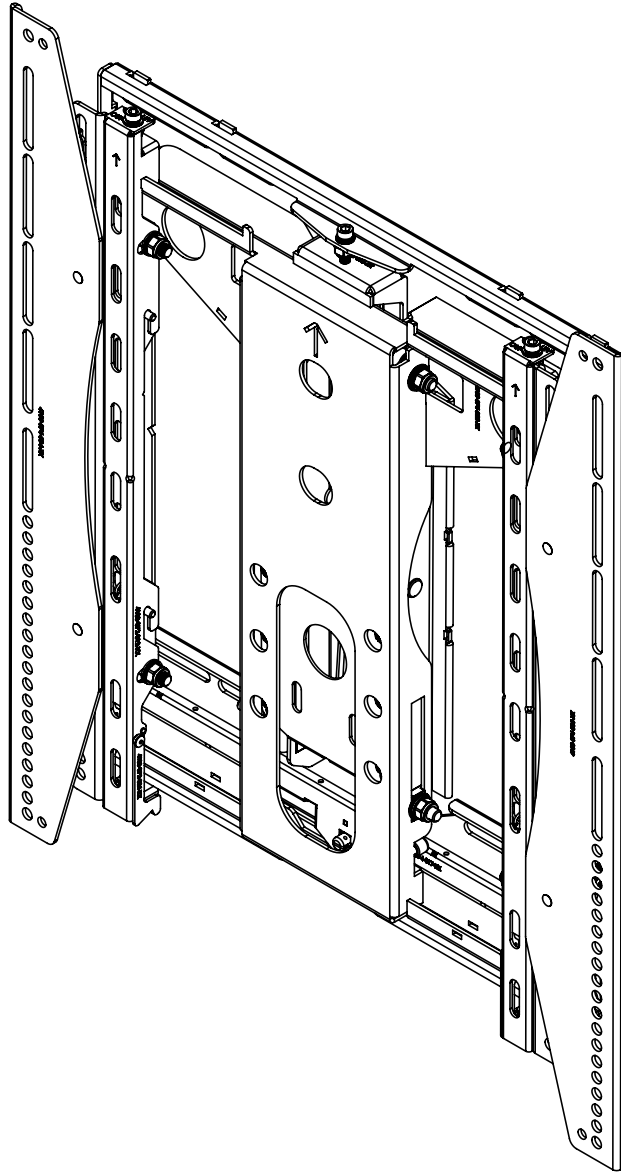


PFW 6885

Installation Guide

Installationsanleitung, Guía de Instalación, Guida de Installazione, Guide d'Installation, Installatie gids



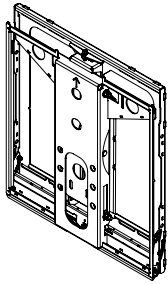
PFW 6885

Installation Guide

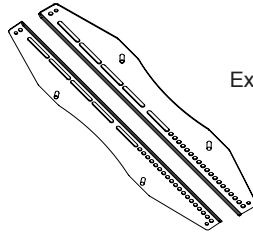
Installationsanleitung, Guía de Instalación, Guida de Installazione, Guide d'Installation, Installatie gids

Maximum Flat Panel Weight:
100 lb. / 45.35 kg.

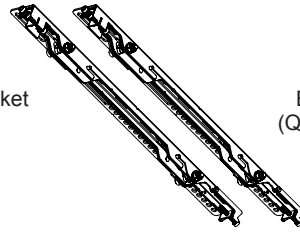
Included Components



Wall Mount
(Qty 1)



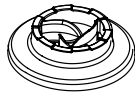
Extension Bracket
(Qty 1 Pair)



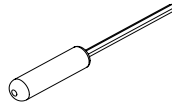
Bracket
(Qty 1 Pair)



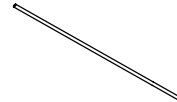
5/16" Flat Washers
(Qty 4)



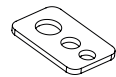
Universal Spacers
(Qty 8)



M5 Allen Driver
(Qty 1)



Thread Depth Indicator
(Qty 1)



Universal Washers
(Qty 4)



5/16" x 3" Lag Bolts
(Qty 4)



Finned Anchors
(Qty 4)



M8 Washers
(Qty 4)



M8 Nylon Nut
(Qty 4)

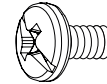
M4 x 12mm (Qty 4)



M6 x 12mm (Qty 4)



M8 x 12mm (Qty 4)



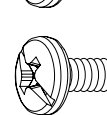
M4 x 16mm (Qty 4)



M6 x 16mm (Qty 4)



M8 x 16mm (Qty 4)



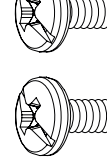
M4 x 25mm (Qty 4)



M6 x 25mm (Qty 4)



M8 x 16mm (Qty 4)



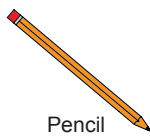
M8 x 25mm (Qty 4)



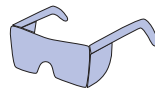
Required for installation



Electronic Stud Finder



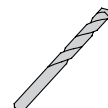
Pencil



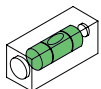
Protective Eyewear



M6 or 1/4" Drill Bit



3/8" Masonry Drill Bit



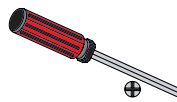
Level



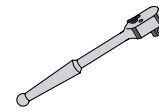
Hammer



13mm or 1/2" Socket



Phillips Head Screwdriver



Socket Wrench



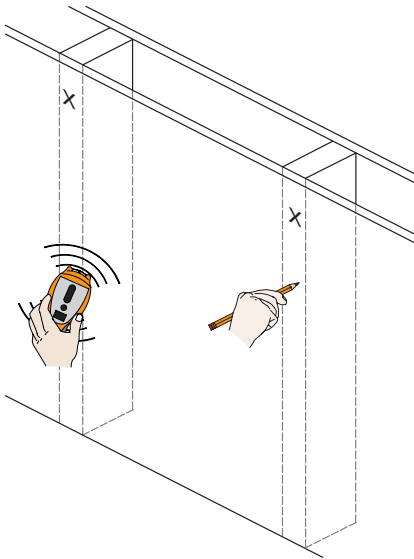
Portable Drill

PFW 6885 Installation Guide

Installationsanleitung, Guía de Instalación, Guida de Installazione, Guide d'Installation, Installatie gids

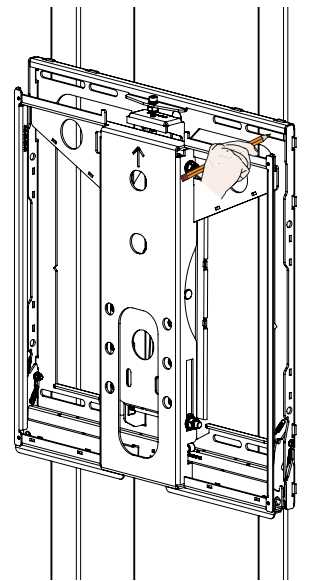
Wood Stud Installation

1



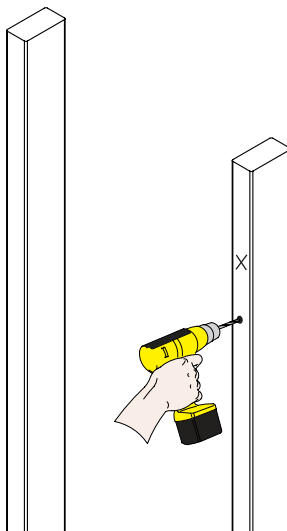
- 1) Use a stud finder to determine the wall studs in the vicinity of the mount.
- 2) Use a pencil to mark each of the wall studs.

2



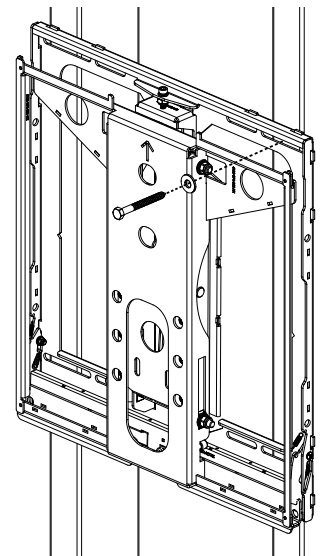
Use a pencil to mark the upper right mounting location of the wall stud.

3



Drill a "pilot hole" using a M6 or 1/4" drill bit on the stud that was marked on the upper right.

4

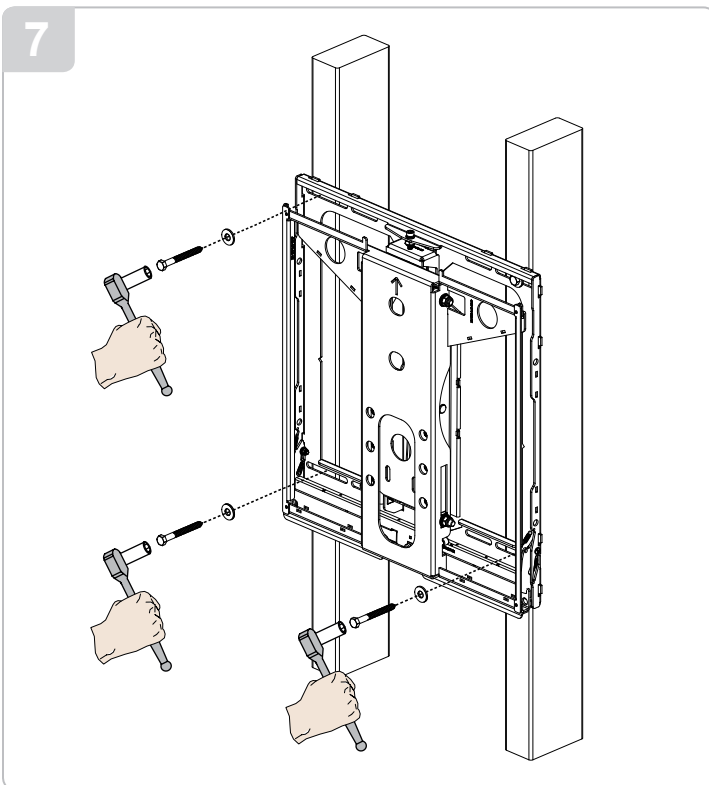
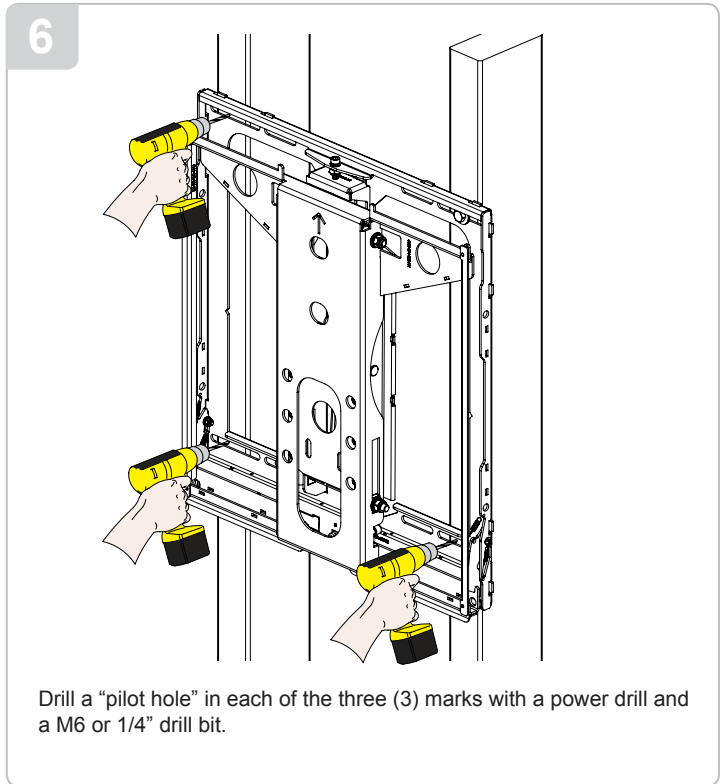
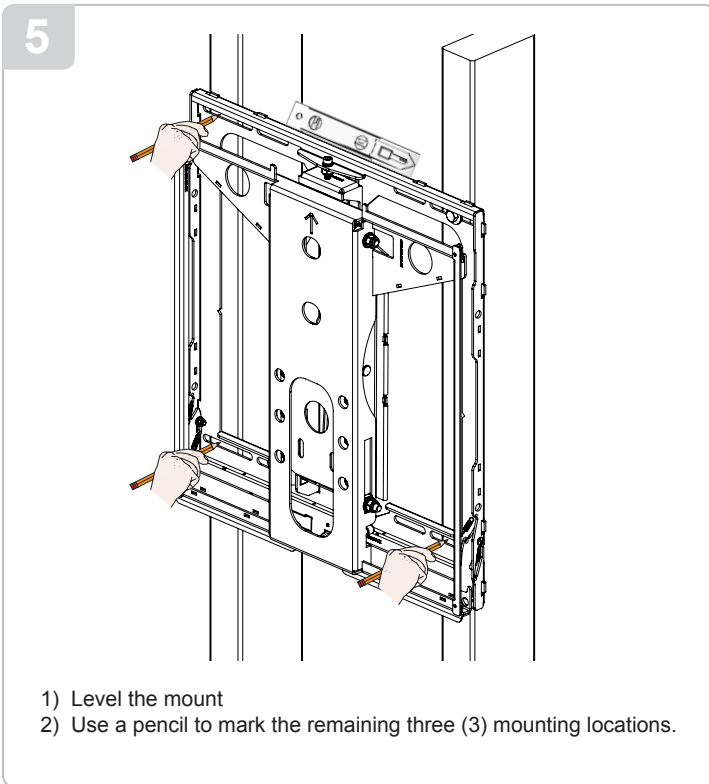


- 1) Place the mount against the wall and align it with the pilot hole.
- 2) Insert one (1) 5/16" x 3" lag bolt and one (1) 5/16" washer into the upper right pilot hole.
- 3) Use a socket wrench and a 13mm or 1/2" socket to tighten the lag bolt.

PFW 6885

Installation Guide

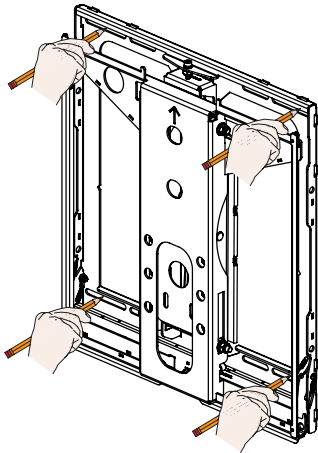
Installationsanleitung, Guía de Instalación, Guida de Installazione, Guide d'Installation, Installatie gids



 Do not over tighten the lag bolts

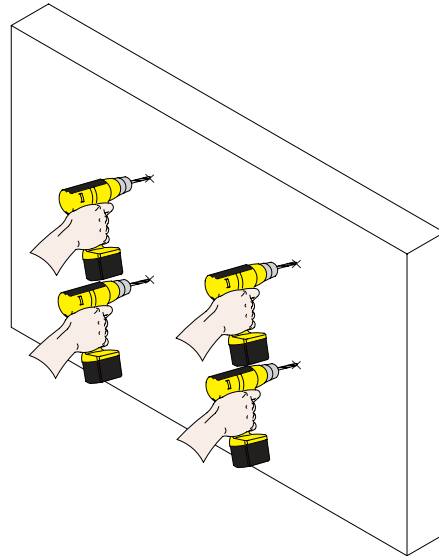
Concrete Wall Installation

8



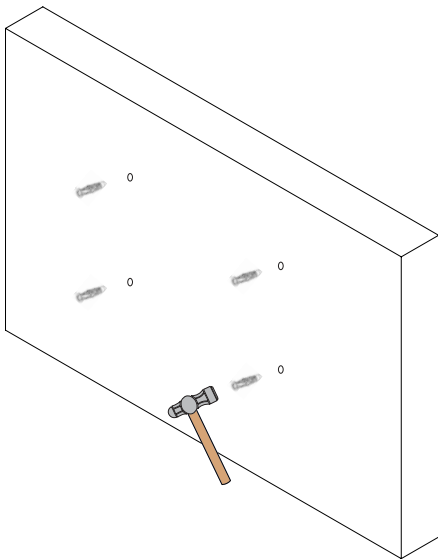
Two people recommended for this step; one person to level the mount and another person to mark the mounting locations.

9



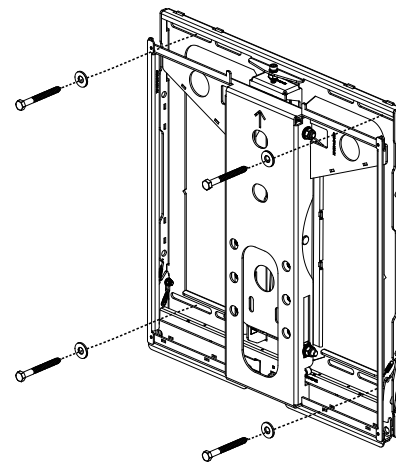
Drill a "pilot hole" in each of the four (4) mark areas with a 3/8" masonry drill bit.

10



Insert the Finned Anchors into each hole. Lightly tap each Finned Anchors into place with a hammer.

11



Insert the lag bolts and washers into the Finned Anchors. Tighten all lag bolts using a socket wrench and 1/2" or 13mm socket.

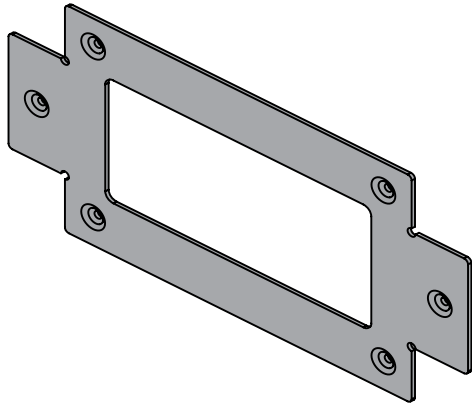
PFW 6885

Installation Guide

Installationsanleitung, Guía de Instalación, Guida de Installazione, Guide d'Installation, Installatie gids

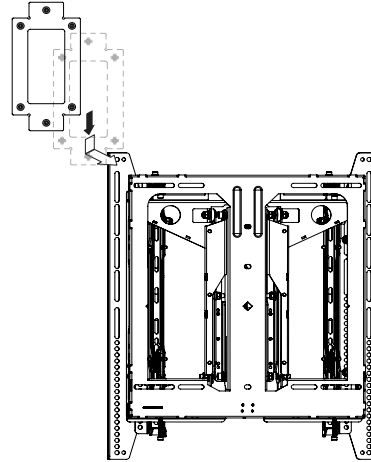
Installing OPTIONAL Model Specific Spacers


12



PFW 6885 dedicated flat-panel spacers are engineered with the knowledge that aligning each flat-panel on a large wall is time consuming and costly. **These model-specific spacers** are available for most flat-panels, which significantly reduces the installation time. (Call Customer Service to inquire about model specific spacers.)

13

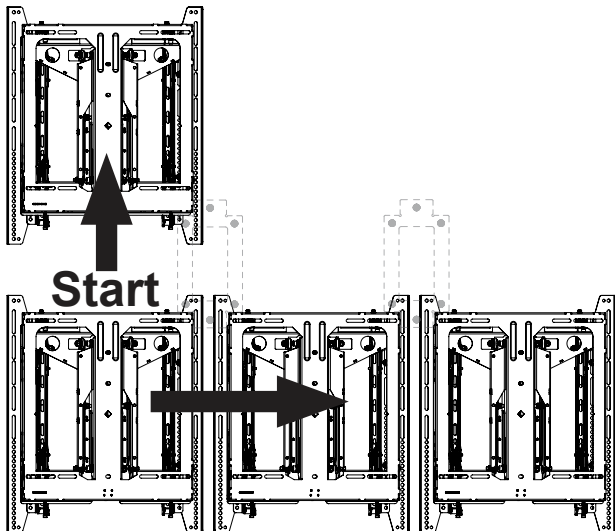


 This spacer is shown for illustration purposes only. Your spacer may look different depending on the display model you are installing.

- 1) Once your PFW 6885 is mounted in the desired location and is level, align your spacer to the top left or right (depending on your install direction) corner register tabs of your mount.

You may use commercially available hardware to secure the spacer to the wall during installation (depending on the wall material). You may utilize the same spacer for multiple PFW 6885 installations.

13



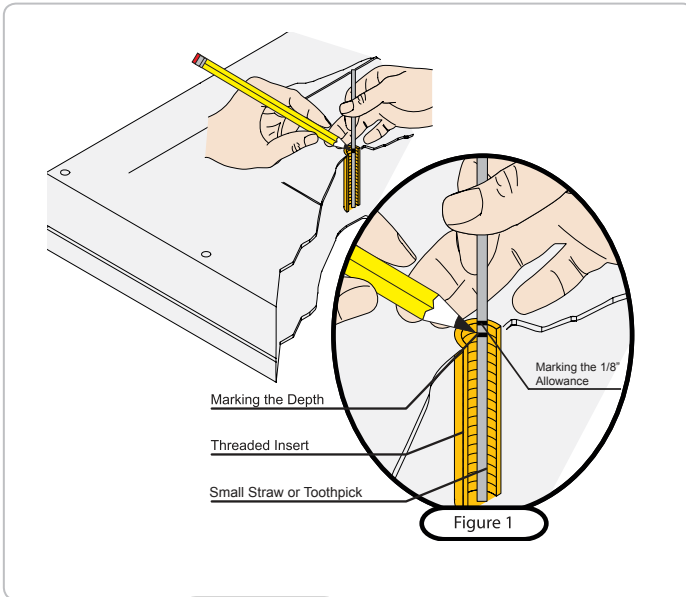
Multiple PFW 6885 mounts can be installed using model specific spacers. Simply repeat step one when installing each of the surrounding PFW 6885 mounts. Use one spacer for each 2x2 installation by mounting it to the wall, or utilize the same spacer as many times needed to complete an unlimited PFW 6885 large matrix video wall.

1. Make sure the spacer is plumb and level and mark each corner where the PFW 6885 will be mounted (or secure to the wall). It is best to start from the bottom corner and work your way up.
2. Install the second mount working in a horizontal direction.
3. Ensure that the mount remains plumb and level.
4. Repeat this step for each mount horizontally
5. To install multiple rows, place spacer between previously installed PFW 6885 on the bottom row. Make sure the spacer is plumb and level, mark the corners (or secure to the wall) to be sure of where the PFW 6885 should be and secure your mount to the wall.

PFW 6885 Installation Guide

Installationsanleitung, Guía de Instalación, Guida de Installazione, Guide d'Installation, Installatie gids

Selecting the Mounting Hardware



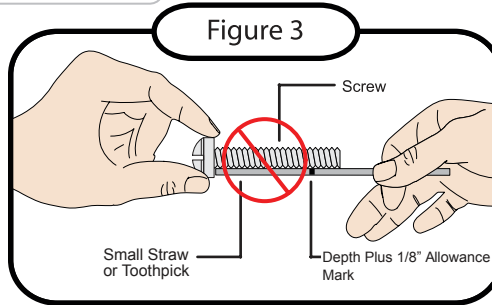
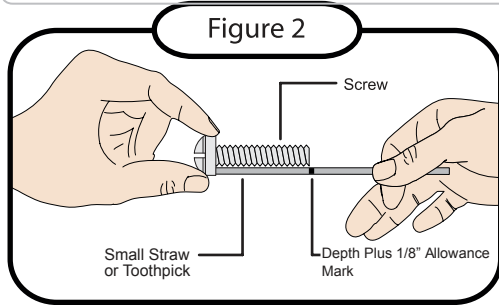
- 1) Insert a small straw or toothpick into the threaded inserts found on the back of the flat-panel.
- 2) Use a pencil to mark the depth of the threaded insert on the small straw or toothpick.
- 3) Mark the straw or toothpick 1/8" above the depth of the threaded insert, as shown in Figure 1.
- 4) Insert the small straw or toothpick into the remaining threaded inserts to compare and verify their depth using the straw or toothpick's 1/8" allowance mark.
- 5) Locate the correct diameter screw for the threaded insert.



If the screw you selected is longer than the 1/8" allowance mark on the small straw or toothpick, as shown in Figure 2 and Figure 3, do not use this screw. The screw length must not bypass the mark.

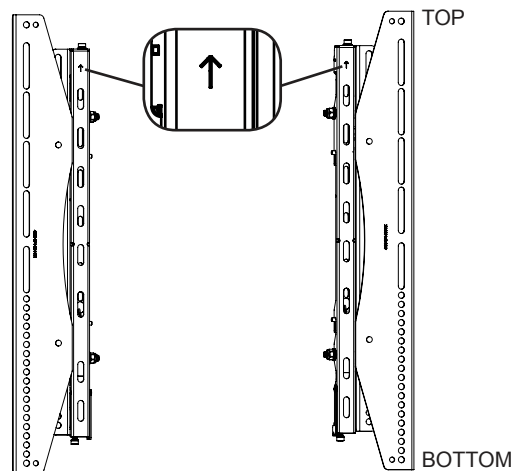
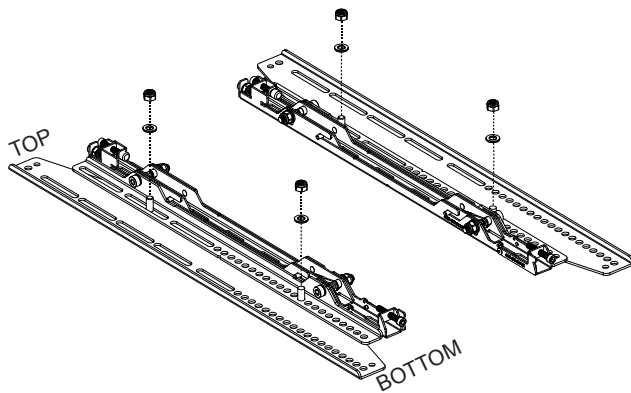
- 6) Test each size of the screws provided.

The correct screws should thread easily into the mounting point and not pull out when tension is applied.



Securing the Adapters

Optional adapters are available with your PFW 6885 mount.
Secure the adapters to the PFW 6885 brackets with the supplied
(4) M8 washers and (4) M8 nuts.

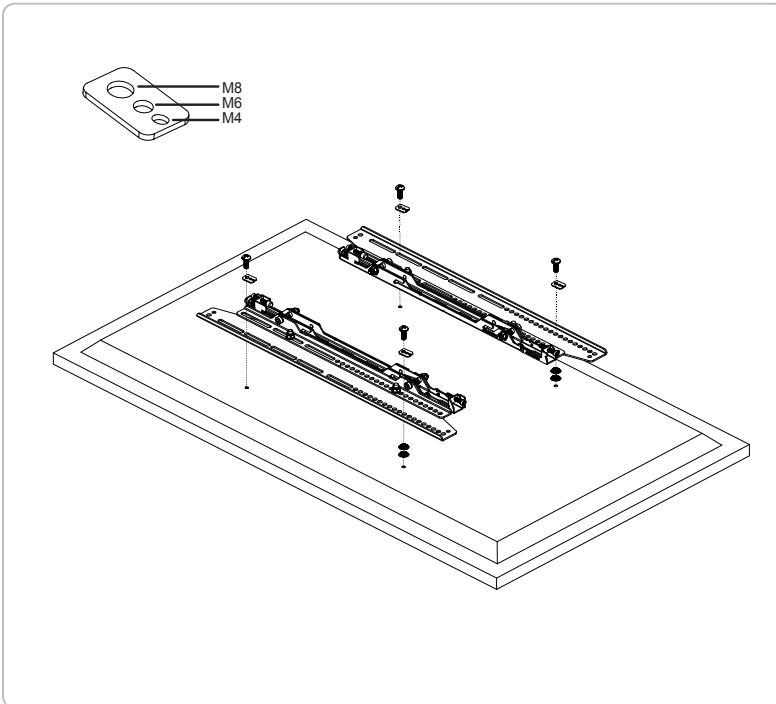


PFW 6885



Installation Guide

Installationsanleitung, Guía de Instalación, Guida de Installazione, Guide d'Installation, Installatie gids

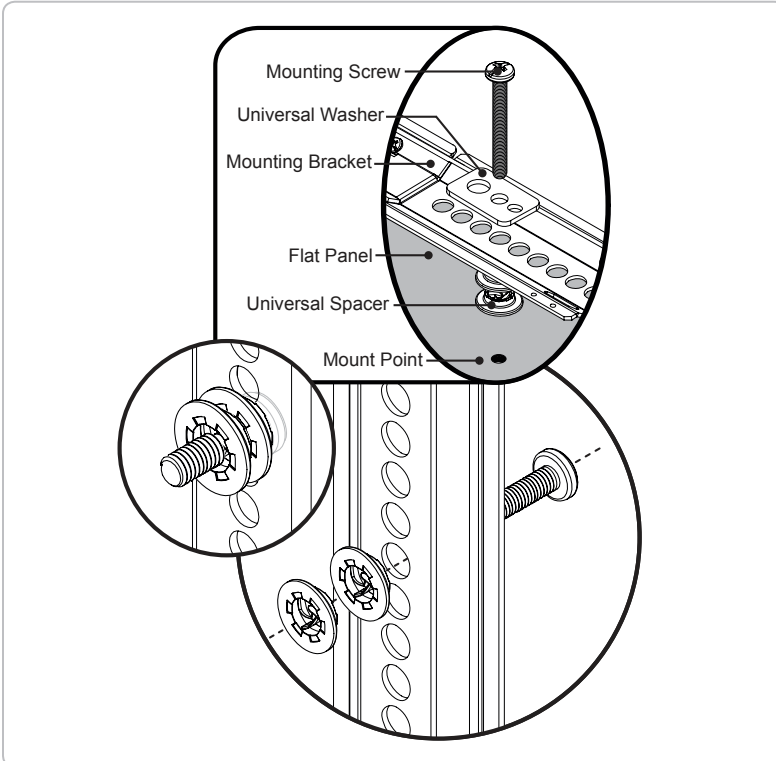
Universal Washer Installation





Universal Washers are designed to accommodate the various M4, M6, and M8 hole sizes required by flat-panels.

-  Do not place excessive pressure on the back of the flat-panel, as this may damage your flat-panel.
-  The Universal Washer must be installed between the head of the mounting screw and the mounting bracket as shown.

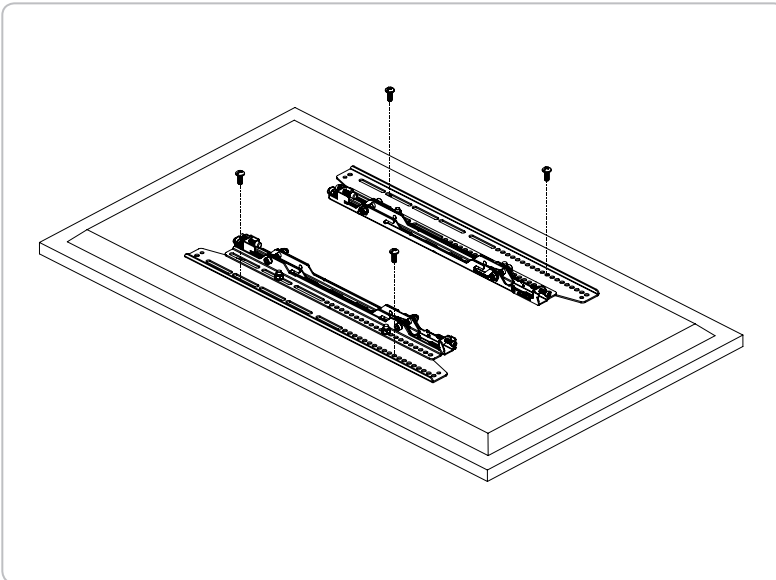
Universal Spacer Installation



Universal Spacers allow you to attach the mounting bracket to flat-panels which have recessed or uneven mount points. Each Universal Spacer adds 1/4" to the distance between the mounting bracket and your flat-panel.

-  The Universal Spacers must be stacked and oriented as shown.
-  The Universal Spacers must only be installed between the mounting bracket and your flat-panel.

Attaching the Mounting Brackets to the Flat-Panel



- 1) Secure each mounting bracket to your flat-panel by inserting a minimum of two (2) screws per bracket.



Do not over tighten the mounting hardware.



Make sure the directional arrows on the mounting brackets are facing up.

NOTE: For smaller vesa bolt patterns, reverse the mounting brackets.

- 2) Before tightening the screws, push the bracket up to remove slack from the bracket, then tightened the screw.

Attaching the Flat-Panel to the Mount

Mounting bracket adjustments are factory pre-set (see **Note**).

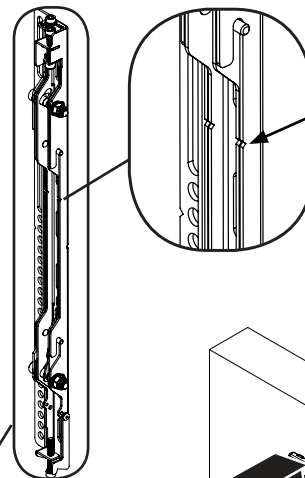


This section requires two people.

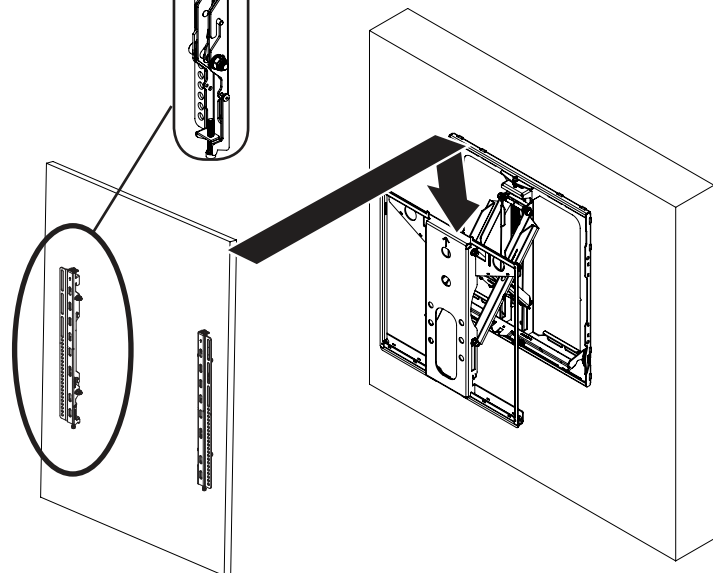
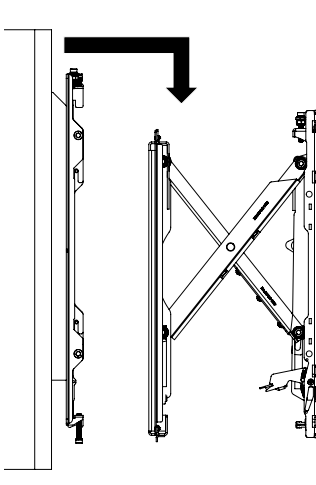


Do not release your flat-panel until you are certain that top and bottom hooks of both mounting brackets are securely seated on the upper and lower mounting rails of the wall panel.

- 1) Raise the flat-panel past the top and bottom mounting rails on the wall panel.
- 2) Slide the flat-panel down slowly, keeping it close to the wall.
- 3) Engage the top and bottom mounting brackets to the rails of the mount.



Note: These registers must align prior to installation. They are factory set. Check to determine proper alignment



PFW 6885

Installation Guide

Installationsanleitung, Guía de Instalación, Guida de Installazione, Guide d'Installation, Installatie gids

Post-Installation Adjustments

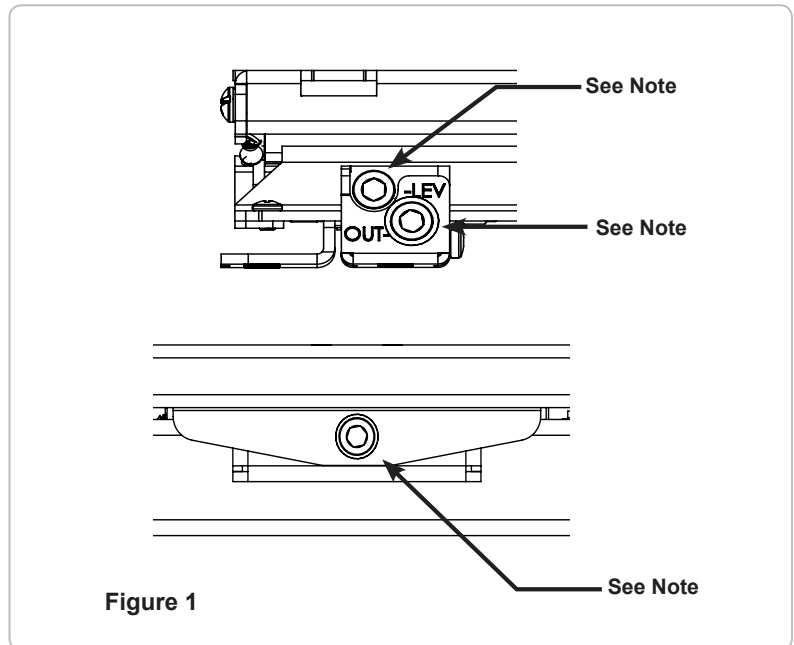
The PFW 6885 has a set of post-installation adjustments on each mounting bracket (Figure 1).

Use the M5 Allen Driver (supplied) to fine-tune adjust.


Make sure the the locking safety screws are loosened before making adjustments.

Note: Screws have a limited travel adjustment.

Do not overtighten or over adjust the screw to avoid damage to threaded holes.




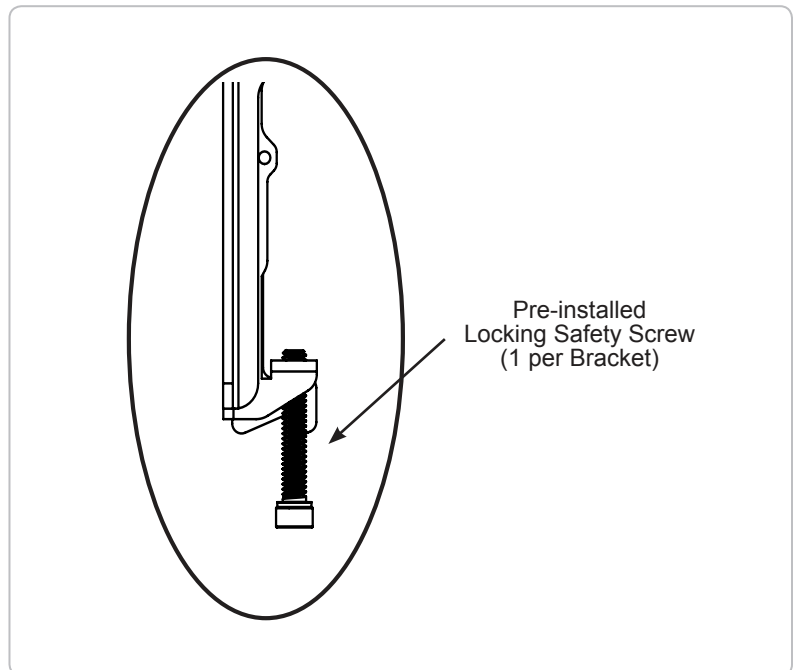
Locking Safety Screw Installation

 The locking safety screws keep the flat-panel from being accidentally dislodged from the PFW 6885. Locate the pre-installed security locking safety screw at the bottom of each of the mounting brackets.

- 1) Use the M5 Allen driver (supplied) to tighten the locking safety screw.

Note: Tighten screw to surface, then tighten 1/4" turn

 Do not over tighten the locking safety screws.



PFW 6885 Installation Guide

Installationsanleitung, Guía de Instalación, Guida de Installazione, Guide d'Installation, Installatie gids

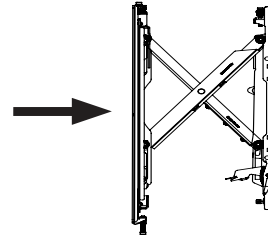
Move Inward



Left Control



Right Control



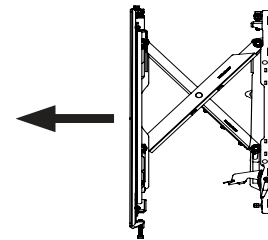
Move Outward



Left Control



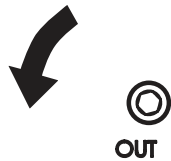
Right Control



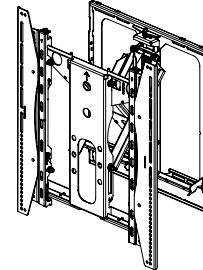
Tilt Left



Left Control



Right Control



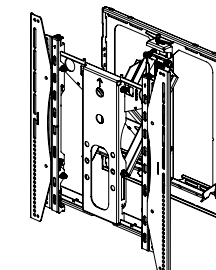
Tilt Right



Left Control



Right Control

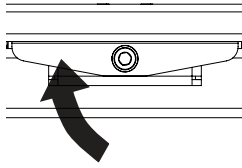


PFW 6885

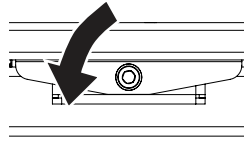
Installation Guide

Installationsanleitung, Guía de Instalación, Guida de Installazione, Guide d'Installation, Installatie gids

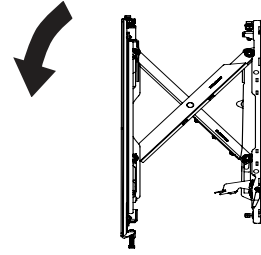
Positive / Negative Tilt



Negative Tilt control



Positive Tilt Control



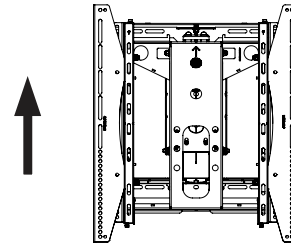
Post Leveling (Up)



Left Control



Right Control



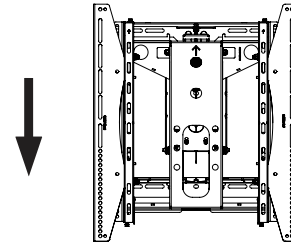
Post Leveling (Down)



Left Control



Right Control



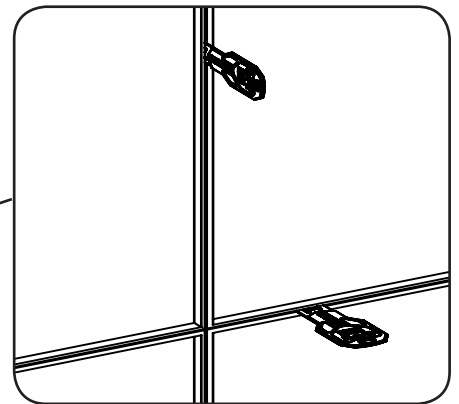
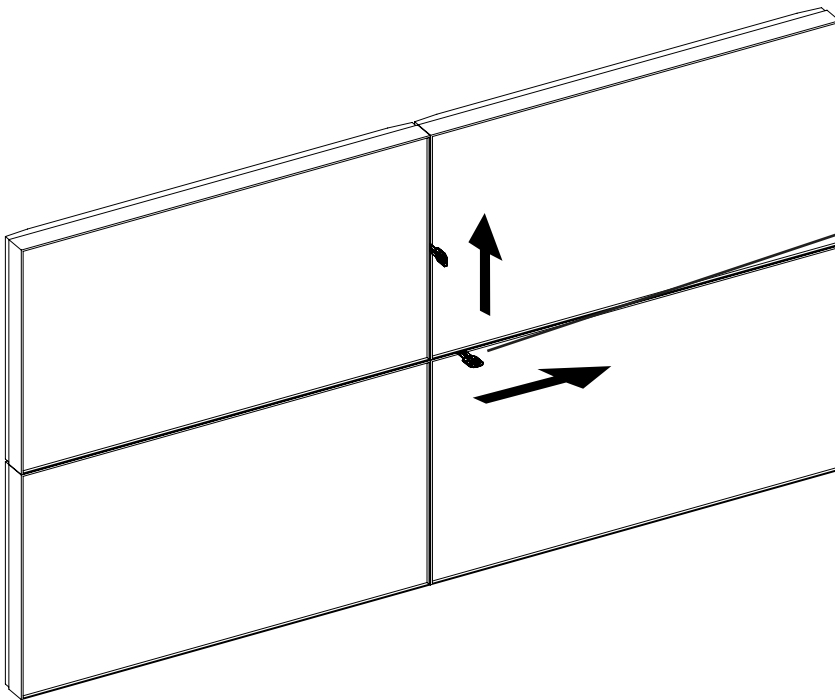
PFW 6885 Installation Guide

Installationsanleitung, Guía de Instalación, Guida de Installazione, Guide d'Installation, Installatie gids

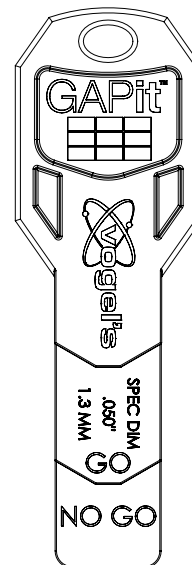
Use the **GAPit GO/No Go Gauge (supplied with model specific spacer)** as a final step in the process to inspect and adjust the gap to **prevent costly replacement and extend the lifespan of the displays.**



Damage happens when weight is transferred to the ultra-thin bezels of video wall installations, if the recommended gap specifications of .050" is not maintained vertically and horizontally. This results in image distortion, and costly repairs and replacement.



1. Swipe GAPit along vertical gap
2. Inspect for .050" gap & adjust if needed
3. Swipe GAPit along horizontal gap
4. Inspect for .050" gap & adjust if needed



PFW 6885

Installation Guide

Installationsanleitung, Guía de Instalación, Guida de Installazione, Guide d'Installation, Installatie gids

Maintenance

- 1) Push evenly in the front of the PFW 6885 to release the single latch spring lock (Figure 1).

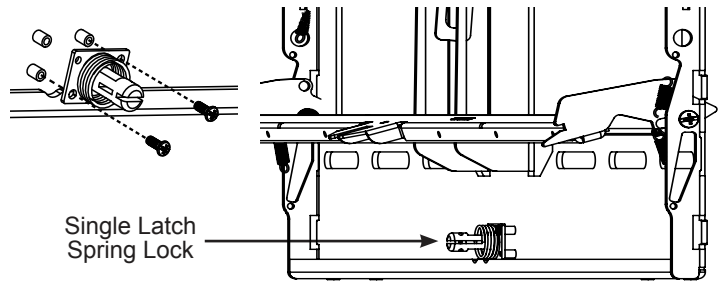
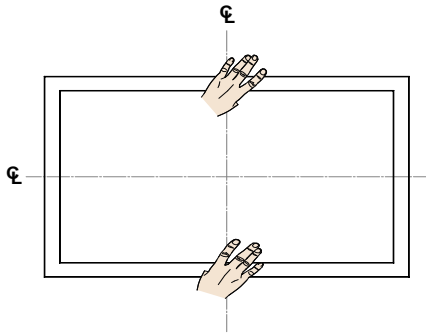


Figure 1

Servicing

- 1) Slowly pull the front of the PFW 6885 to extend the scissor arms (Figure 2).
- 2) Loosen the locking safety screws on both mounting brackets.
- 3) Tilt up the bottom of the flat-panel, then set their kickstands against the bottom tubing of the mount (Figures 2 & 3).

You can now reach behind the flat-panel for maintenance and servicing or replacement. After servicing, make sure the spring lock is locked again in the mount's closed position.

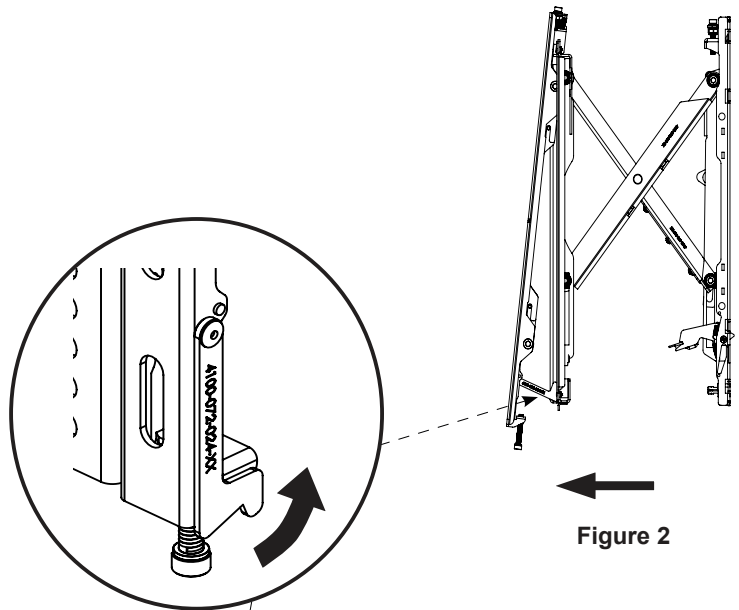


Figure 2

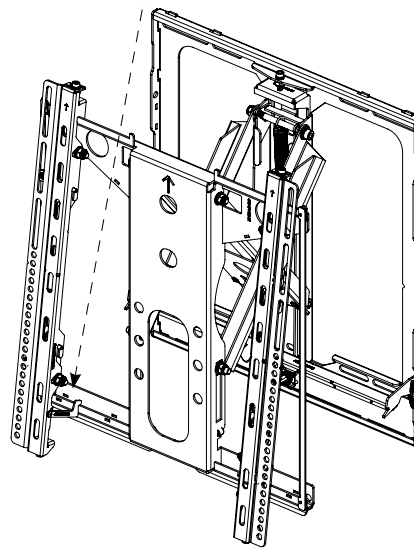


Figure 3

Note: Shown without adapters for clarity.