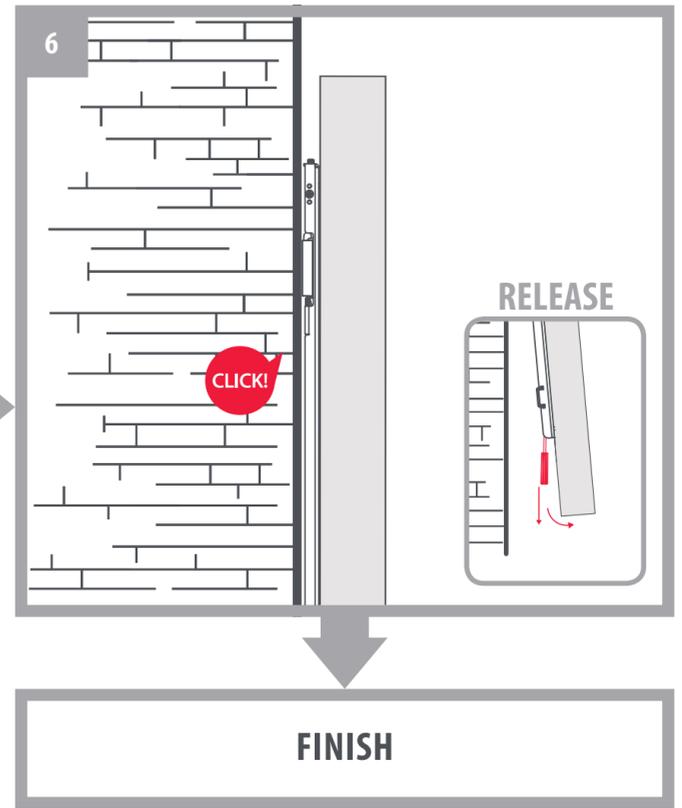
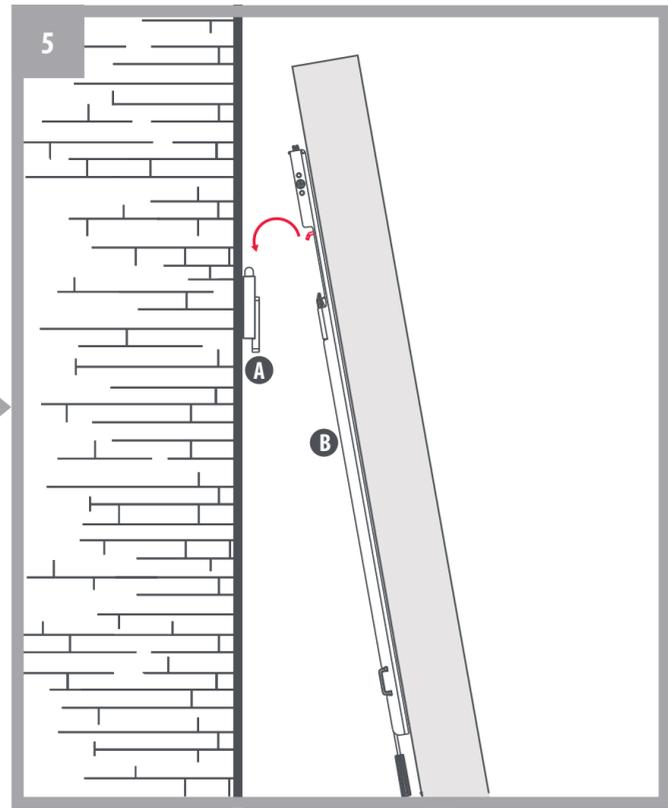
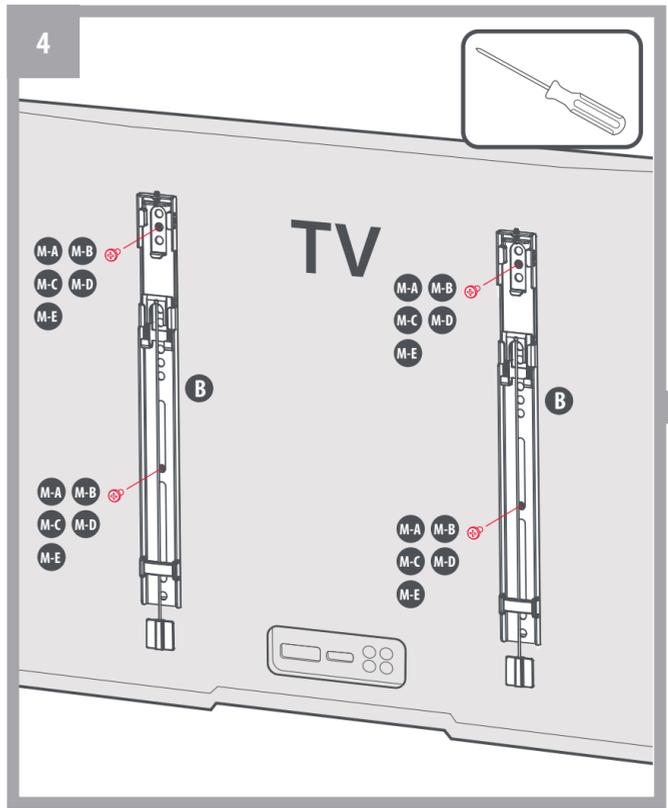
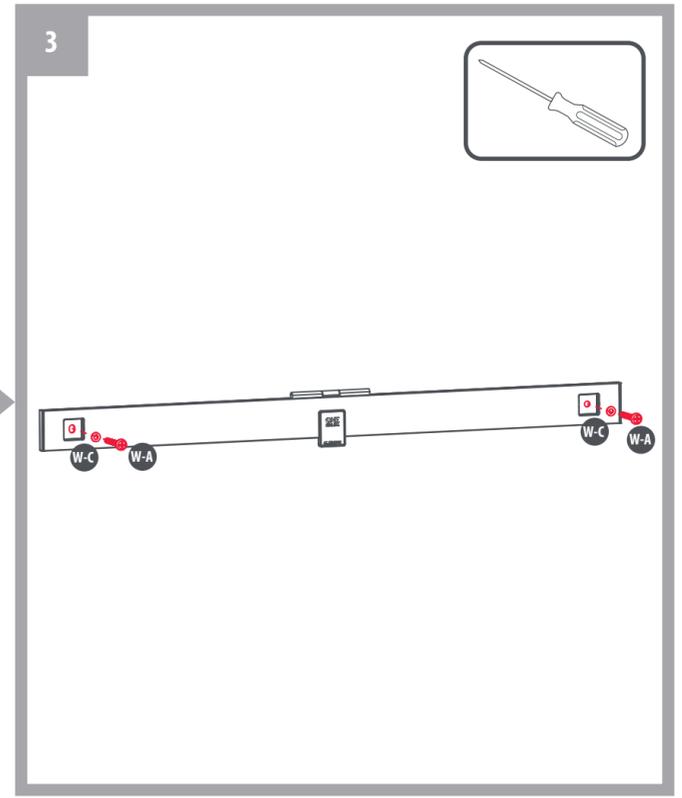
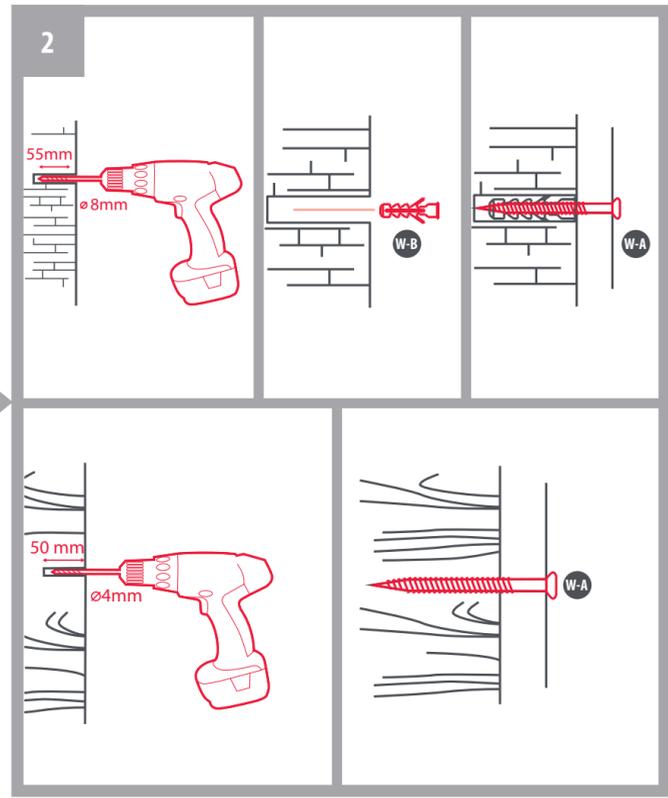
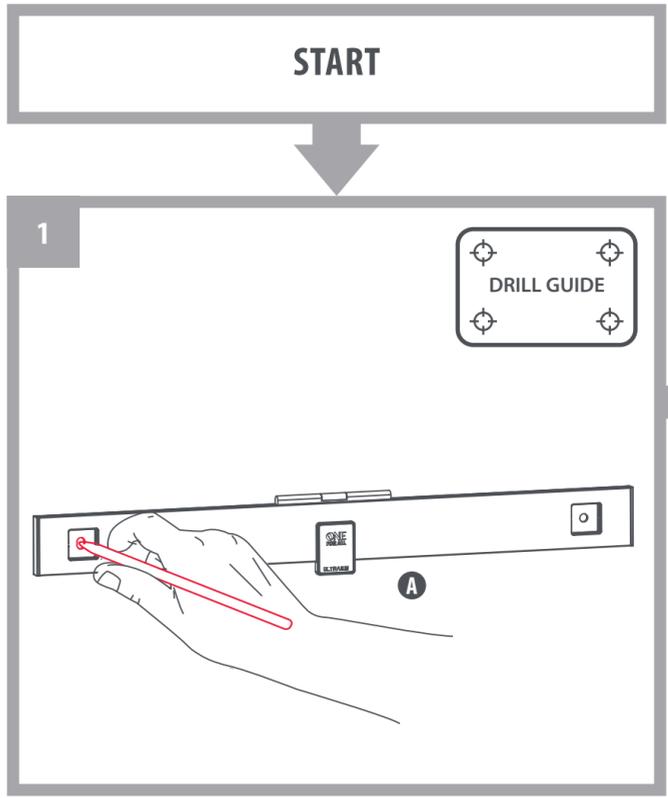


- W-A 2 x ST5.5X50mm
- W-B 2 x ø8X36mm
- W-C 2 x D6

- M-A 4 x M5x14mm
- M-B 4 x M6x14mm
- M-C 4 x M6x30mm
- M-D 4 x M8x30mm
- M-E 4 x M8x50mm
- M-F 4 x D6
- M-G 8 x ø15xø8x5mm
- M-H 8 x ø15xø8x15mm

WM6611
10953
Universal Electronics BV - Europe & International
P.O. Box 3332, 7500 DH Enschede
The Netherlands
RDY1300916



FINISH