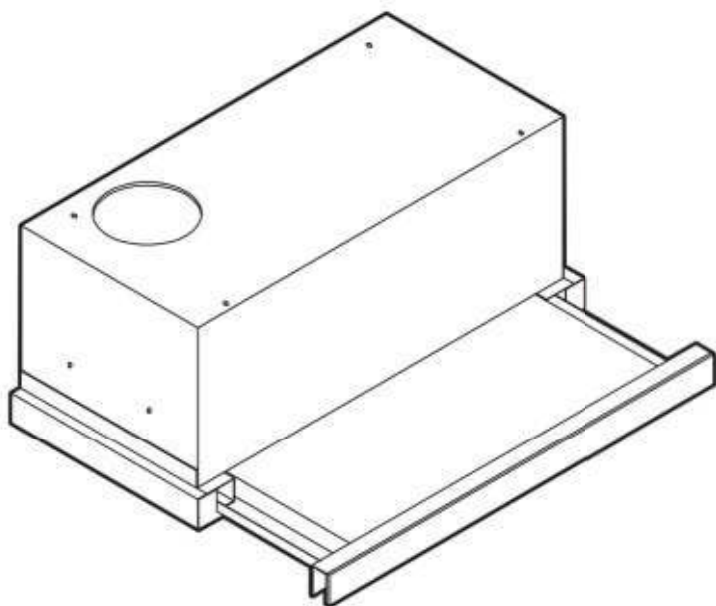
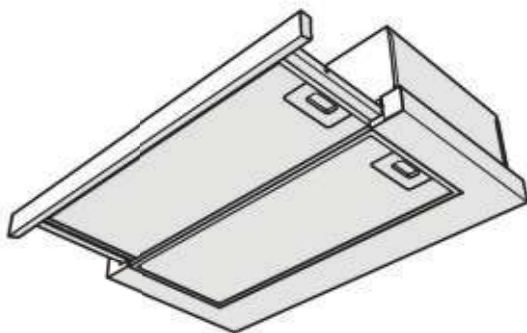


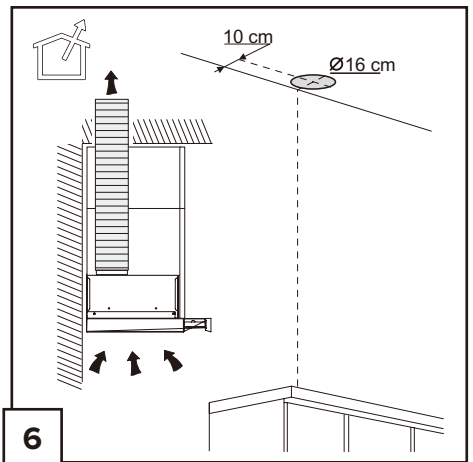
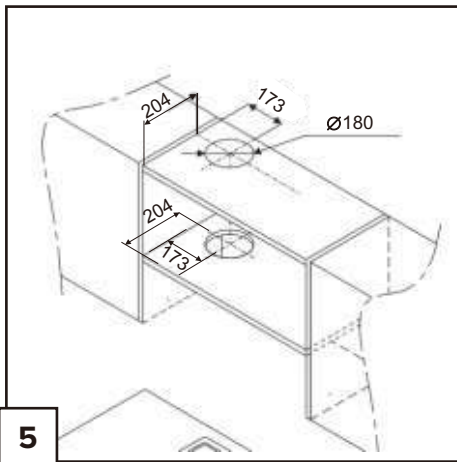
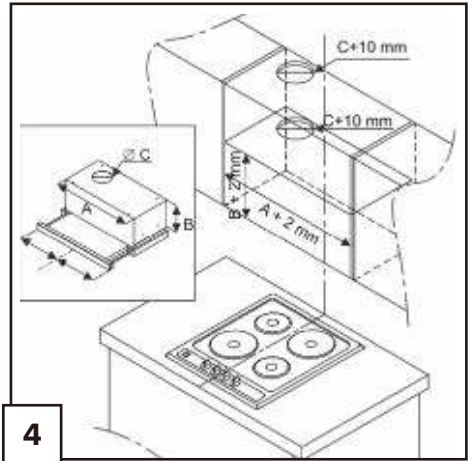
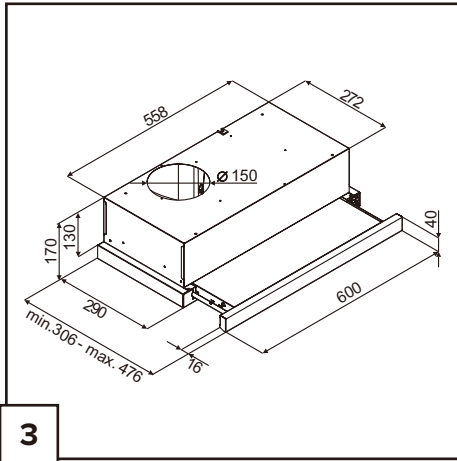
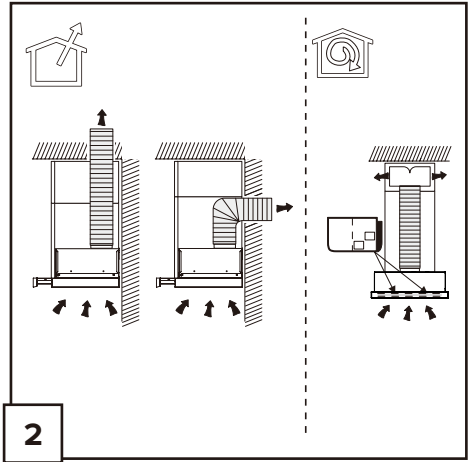
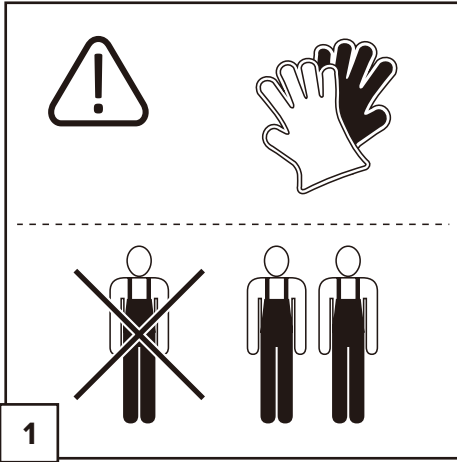
Cooker hood
Кухонная вытяжка
Асүй сорып шығаруышы

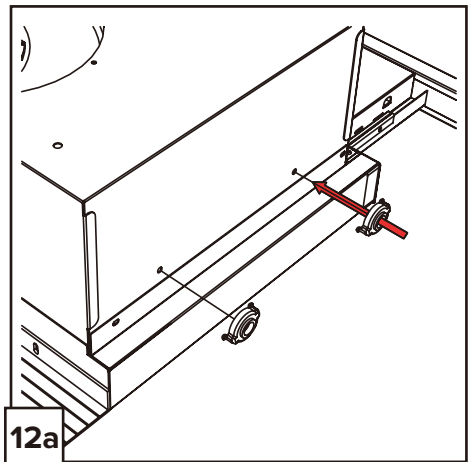
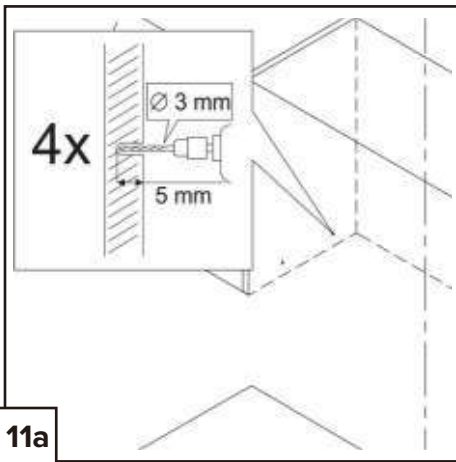
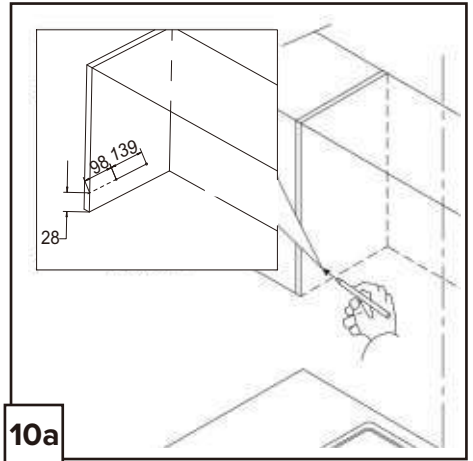
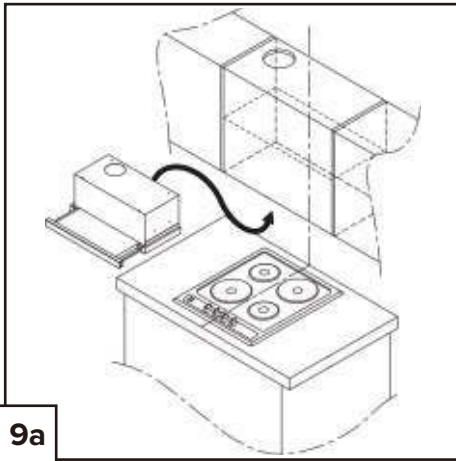
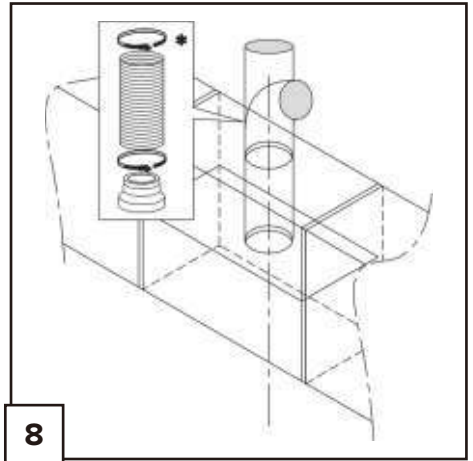
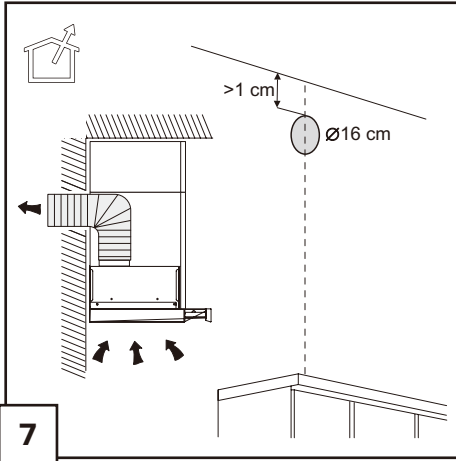


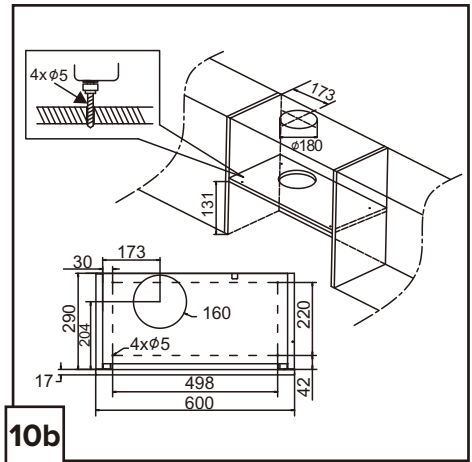
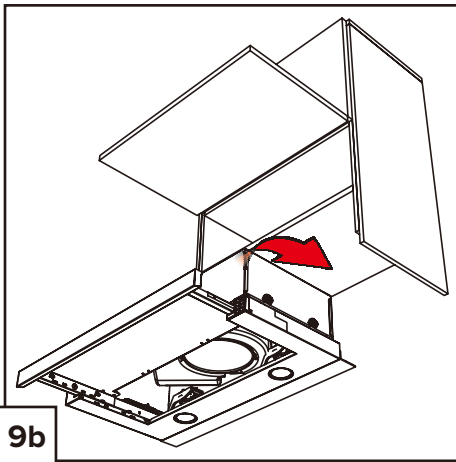
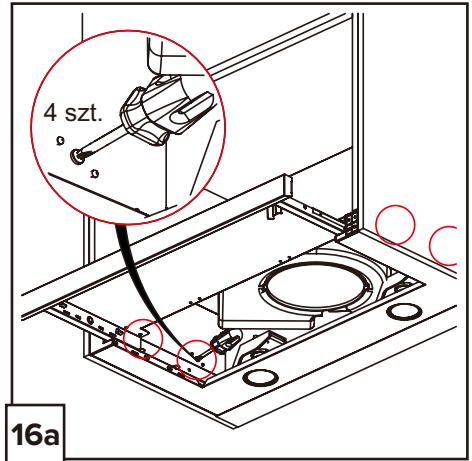
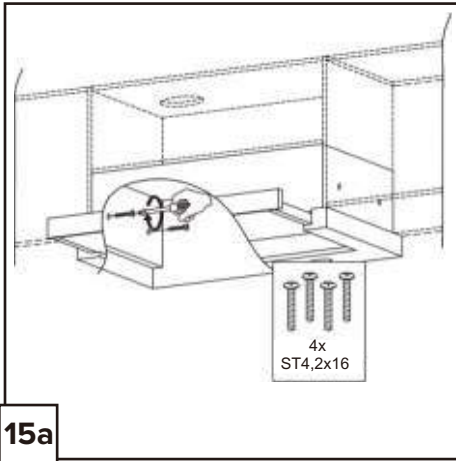
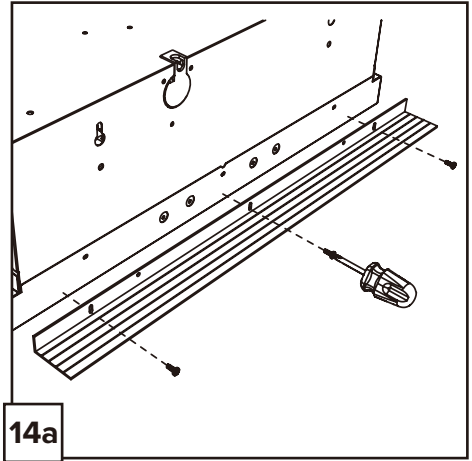
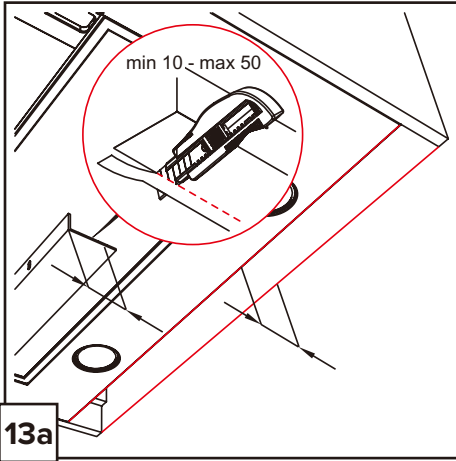
TH60E3X
TH62E3X
TH60E3B
TH60E3W
TH62E4X
TH62E4BG
TH64E3BG
TH64E3SGB
TH64E4BG

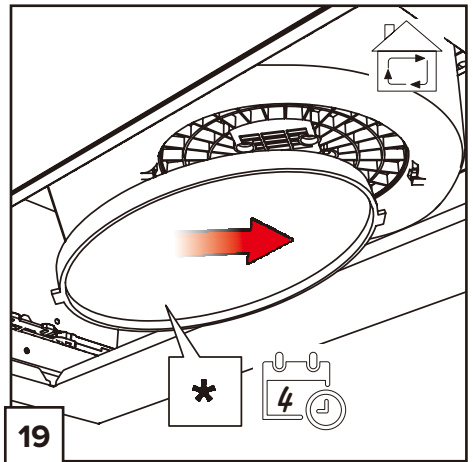
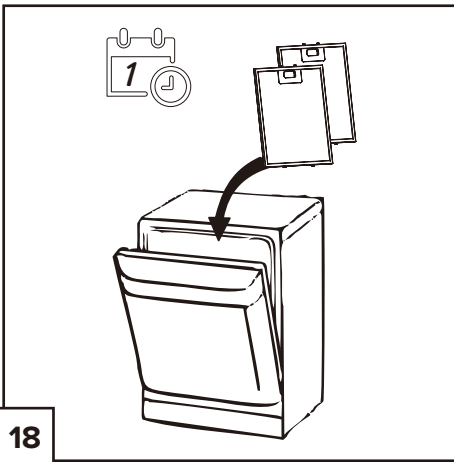
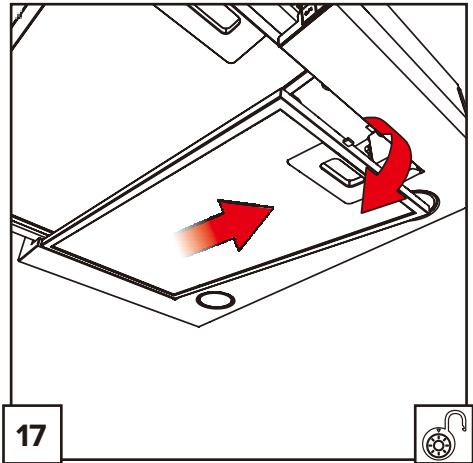
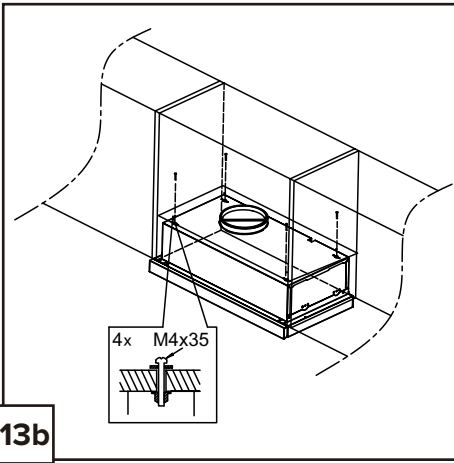
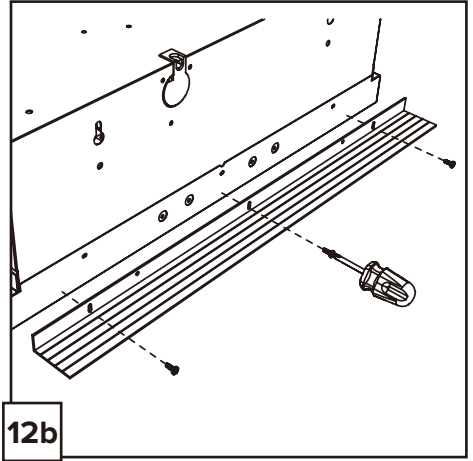
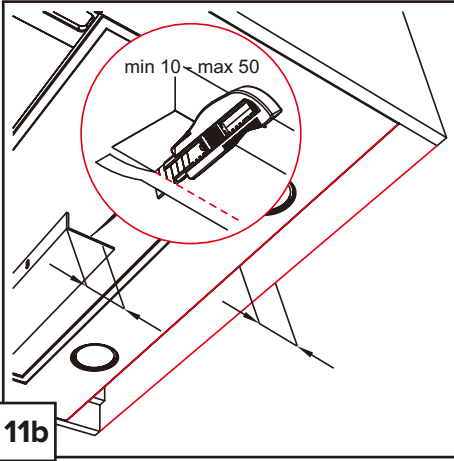


EN - COOKER HOOD	7
BG - АСПИРАТОР	12
BiH - KUHINJSKA NAPA	17
CS - DIGESTOŘ	22
DE - DUNSTABZUGSHAUBE	27
DA - EMHÆTTER	32
EL - ΑΠΟΡΡΟΦΗΤΗΡΑΣ ΚΟΥΖΙΝΑΣ	37
ES - CAMPANA EXTRACTORA	42
ET - PLIIDIKUBU	47
FI - LIESITUULETIN	52
FR - HOTTE	57
HR - KUHINJSKA NAPA	62
HU - PÁRAELSZÍVÓ	67
IT - CAPPA ASPIRANTE	72
KZ - АС ҮЙ АУА СОРҒЫШЫ	77
LT - GARTRAUKIS	82
LV - TVAIKA NOSŪCĒJS	87
MK - АСПИРАТОР	92
NO - VENTILATOR	97
PL - OKAP WYCIĄGOWY	102
PT - EXAUSTOR	107
RO - HOTĂ	112
RU - КУХОННАЯ ВЫТЯЖКА	117
SK - ODSÁVAČ PÁR	122
SLO - KUHINJSKA NAPA	127
SQ - ASPIRATOR KUZHINE	132
SRB(MNE) - KUHINJSKI ASPIRATOR	137
SV - KÖKSFLÄKT	142
UK - КУХОННА ВИТЯЖКА	147









EN - COOKER HOOD

Closely follow the instructions set out in this manual. All responsibility, for any eventual inconveniences, damages or fires caused by not complying with the instructions in this manual, is declined. The hood is conceived for the suction of cooking fumes and steam and is destined only for domestic use.

The hood can look different to that illustrated in the drawings in this booklet. The instructions for use, maintenance and installation, however, remain the same.

- ! It is important to conserve this booklet for consultation at any moment. In the case of sale, cession or move, make sure it is together with the product.
- ! Read the instructions carefully: there is important information about installation, use and safety.
- ! Do not carry out electrical or mechanical variations on the product or on the discharge conduits.
- ! Before proceeding with the installation of the appliance verify that there are no damaged all components. Otherwise contact your dealer and do not proceed with the installation.

Note: the elements marked with the symbol “(*)” are optional accessories supplied only with some models or elements to purchase, not supplied.



CAUTION

WARNING! Do not connect the appliance to the mains until the installation is fully complete.

Before any cleaning or maintenance operation, disconnect hood from the mains by removing the plug or disconnecting the mains electrical supply.

Always wear work gloves for all installation and maintenance operations.

The appliance is not intended for use by children or persons with impaired physical, sensorial or mental faculties, or if lacking in experience or knowledge, unless they are under supervision or have been trained in the use of the appliance by a person responsible for their safety.

This appliance is designed to be operated by adults, children should be monitored to ensure that they do not play with the appliance.

This appliance is designed to be operated by adults. Children should not be allowed to tamper with the controls or play with the appliance.

Never use the hood without effectively mounted grating!

The hood must NEVER be used as a support surface unless specifically indicated.

The premises where the appliance is installed must be sufficiently ventilated, when the kitchen hood is used together with other gas combustion devices or other fuels.

The ducting system for this appliance must not be connected to any existing ventilation system which is being used for any other purpose such as discharging exhaust fumes from appliances burning gas or other fuels.

The flaming of foods beneath the hood itself is severely prohibited.

The use of exposed flames is detrimental to the filters and may cause a fire risk, and must therefore be avoided in all circumstances.

Any frying must be done with care in order to make sure that the oil does not overheat and ignite. Accessible parts of the hood may become hot when used with cooking appliance.

With regards to the technical and safety measures to be adopted for fume discharging it is important to closely follow the regulations provided by the local authorities.


The hood must be regularly cleaned on both the inside and outside (AT LEAST ONCE A MONTH).

This must be completed in accordance with the maintenance instructions provided in this manual). Failure to follow the instructions provided in this user guide regarding the cleaning of the hood and filters will lead to the risk of fires. Do not use or leave the hood without the lamp correctly mounted due to the possible risk of electric shocks.

We will not accept any responsibility for any faults, damage or fires caused to the appliance as a result of the non-observance of the instructions included in this manual.

This appliance is marked according to the European directive 2012/19/EC on Waste Electrical and Electronic Equipment (WEEE). By ensuring this product is disposed of correctly, you will help prevent potential negative consequences for the environment and human health, which could otherwise be caused by inappropriate waste handling of this product.



The symbol  on the product, or on the documents accompanying the product, indicates that this appliance may not be treated as household waste. Instead it should be taken to the appropriate collection point for the recycling of electrical and electronic equipment. Disposal must be carried out in accordance with local environmental regulations for waste disposal. For further detailed information regarding the process, collection and recycling of this product, please contact the appropriate department of your local authorities or the local department for household waste or the shop where you purchased this product.

Appliance designed, tested and manufactured according to:

- Safety: EN/IEC 60335-1; EN/IEC 60335-2-31, EN/IEC 62233.
- Performance: EN/IEC 61591; ISO 5167-1; ISO 5167-3; ISO 5168; EN/IEC 60704-1; EN/IEC 60704-2-13; ISO 3741; EN 50564; IEC 62301.
- EMC: EN 55014-1; CISPR 14-1; EN 55014-2; CISPR 14-2; EN/IEC 61000-3-2; EN/IEC 61000-3-3.

Suggestions for a correct use in order to reduce the environmental impact: Switch ON the hood at minimum speed when you start cooking and kept it running for few minutes after cooking is finished. Increase the speed only in case of large amount of smoke and vapour and use boost speed(s) only in extreme situations. Replace the charcoal filter(s) when necessary to maintain a good odour reduction efficiency. Clean the grease filter(s) when necessary to maintain a good grease filter efficiency. Use the maximum diameter of the ducting system indicated in this manual to optimize efficiency and minimize noise.

Additional Installation Specifications:

Use only the fixing screws supplied with the product for installation or, if not supplied, purchase the correct screws type. Use the correct length for the screws which are identified in the Installation Guide.

In case of doubt, consult an authorised service assistance centre or similar qualified person.

WARNING! Failure to install the screws or fixing device in accordance with these instructions may result in electrical hazards.

USE

The hood is designed to be used either for exhausting or filter version.



DUCTING VERSION

In this case the fumes are conveyed outside of the building by means of a special pipe connected with the connection ring located on top of the hood.

Attention! The exhausting pipe is not supplied and must be purchased apart. Diameter of the exhausting pipe must be equal to that of the connection ring.

In the horizontal runs the exhausting pipe must be slightly slanted (about 10°) and directed upwards to vent the air easily from the room to the outside.

Attention! If the hood is supplied with active charcoal filter, then it must be removed.

Connect the hood and discharge holes on the walls with a diameter equivalent to the air outlet (connection flange).

Using the tubes and discharge holes on walls with smaller dimensions will cause a diminution of the suction performance and a drastic increase in noise.

Any responsibility in the matter is therefore declined.

- ! Use a duct of the minimum indispensable length.
- ! Use a duct with as few elbows as possible (maximum elbow angle: 90°).
- ! Avoid drastic changes in the duct cross-section.
- ! Use a duct as smooth as possible inside.
- ! The duct must be made of certified material.



FILTER VERSION

One active charcoal filter is needed for this and can be obtained from your usual retailer.

The filter removes the grease and smells from the extracted air before sending it back into the room through the upper outlet grid.

INSTALLATION

The minimum distance between the supporting surface for the cooking equipment on the hob and the lowest part of the range hood must be not less than 50cm from electric cookers and 65cm from gas or mixed cookers.

If the instructions for installation for the gas hob specify a greater distance, this must be adhered to.



ELECTRICAL CONNECTION

The mains power supply must correspond to the rating indicated on the plate situated inside the hood. If provided with a plug connect the hood to a socket in compliance with current regulations and positioned in an accessible area, after installation. If it not fitted with a plug (direct mains connection) or if the plug is not located in an accessible area, after installation, apply a double pole switch in accordance with standards which assures the complete disconnection of the mains under conditions relating to over-current category III, in accordance with installation instructions.

Warning! Before re-connecting the hood circuit to the mains supply and checking the efficient function, always check that the mains cable is correctly assembled.

The hood is provided with a special power cable ; if the cable is damaged, request a new one from Technical Service.

MOUNTING

Very heavy product; hood handling and installation must be carried out by at least two persons. Before beginning installation:

- Check that the product purchased is of a suitable size for the chosen installation area.
- Remove the charcoal (*) filter/s if supplied (see also relative paragraph). This/these is/are to be mounted only if you want to use the hood in the filtering version.
- Check (for transport reasons) that there is no other supplied material inside the hood (e.g. packets with screws (*), guarantees (*), etc.), eventually removing them and keeping them.
- If possible, disconnect and move freestanding or slide-in range from cabinet opening to provide easier access to rear wall/ceiling. Otherwise put a thick, protective covering over countertop, cooktop or range to protect from damage and debris. Select a flat surface for assembling the unit. Cover that surface with a protective covering and place all canopy hood parts and hardware in it.
- In addition check whether near the installation area of the hood (in the area accessible also with the hood mounted) an electric socket is available and it is possible to connect a fumes discharge device to the outside (only suction version).
- Carry out all the masonry work necessary (e.g. installation of an electric socket and/or a hole for the passage of the discharge tube).

Expansion wall plugs are provided to secure the hood to most types of walls/ceilings. However, a qualified technician must verify suitability of the materials in accordance with the type of wall/ceiling. The wall/ceiling must be strong enough to take the weight of the hood. Do not tile, grout or silicone this appliance to the wall. Surface mounting only.

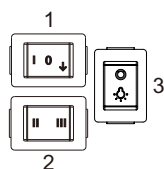
OPERATION


Use the high suction speed in cases of concentrated kitchen vapours. It is recommended that the cooker hood is switched on for 5 minutes prior to cooking and left in operation during cooking and for approximately another 15 minutes after terminating cooking. Below described three types of operation.



ROCKER SWITCH

The hood operation is controlled by (three) switches, which are located on each side. They are visible when the telescopic front is ejected.

The telescopic hood is equipped with a limit switch. Every time you eject the telescopic front, the hood will start operating on the previously set gear.






1. 0 – Turn off the hood.
I – hood operating on speed level 1.
↓ – shift to enable motor speed II or motor speed III.
2. II – hood operating on speed level 2 (when switch 1 in position ↓) .
III – hood operating on speed level 3 (when switch 1 in position ↓).
3. O /  – Light ON / OFF.

The button labeled as  is used to turn the light ON or OFF. The lighting in the hood works independently of the hood engine. Pressing the  will not trigger the hood motor.

When the front panel is returned to the closed position, the limit switch turns off the hood motor and also turns off the light. If the hood motor and light switch are already in ON state, the hood motor will start operating and the lights will turn on, when the front panel is pulled out.





BUTTON CONTROL



- ① – Hood operation ON / OFF. When pressing the button, the hood will start to operate on speed level 1.
-  – Press the Speed 2 button to start the motor with speed 2.
-  – Press the Speed 3 button to start the motor with speed 3.
-  – Light button to switch the light ON. Press again to switch the light OFF.

TOUCH CONTROL



- ① – Press the On/Off button to start selecting the motor speeds.
-  – Press the Speed 1 button to start the motor with speed 1.
-  – Press the Speed 2 button to start the motor with speed 2.
-  – Press the Speed 3 button to start the motor with speed 3.
-  – Press the Light button to switch the light ON. Press again to switch the light OFF.

MAINTENANCE

ATTENTION! Before performing any maintenance operation, isolate the hood from the electrical supply by switching off at the connector and removing the connector fuse.

Or if the appliance has been connected through a plug and socket, then the plug must be removed from the socket.

CLEANING

The cooker hood should be cleaned regularly (at least with the same frequency with which you carry out maintenance of the fat filters) internally and externally. Clean using the cloth dampened with neutral liquid detergent. Do not use abrasive products. **DO NOT USE ALCOHOL!**

WARNING: Failure to carry out the basic cleaning recommendations of the cooker hood and replacement of the filters may cause fire risks. Therefore, we recommend observing these instructions. The manufacturer declines all responsibility for any damage to the motor or any fire damage linked to inappropriate maintenance or failure to observe the above safety recommendations.

GREASE FILTER

Traps cooking grease particles. The grease filter must be cleaned once a month using non aggressive detergents, either by hand or in the dishwasher, which must be set to a low temperature and a short cycle. When washed in a dishwasher, the grease filter may discolour slightly, but this does not affect its filtering capacity. To remove the grease filter, press it and pull it down.

CHARCOAL FILTER (FILTER VERSION ONLY)

It absorbs unpleasant odours caused by cooking. The saturation of the charcoal filter occurs after more or less prolonged use, depending on the type of cooking and the regularity of cleaning of the grease filter. In any case it is necessary to the cartridge at least every four months. The charcoal filter may NOT be washed or regenerated.

REPLACING LAMPS

The hood is equipped with a lighting system based on LED technology. The LEDs guarantee an optimum lighting, a duration up to 10 times as long as the traditional lamps and allow to save 90% electrical energy.

Attention!

For replacement of the LEDs, contact the technical service.

ENERGY SAVING TIPS

- 1) When you start cooking, switch on the cooker hood at minimum speed, to control moisture and remove cooking odor.
- 2) Increase the range hood speed only when the amount of vapor makes it necessary.
- 3) Keep range hood filter(s) clean to optimize grease and odor efficiency.

Следвайте стриктно инструкциите в това ръководство. Не носим отговорност за възникнали неудобства, щети или пожари, причинени от неспазване на инструкциите в това ръководство. Аспираторът е създаден за отвеждане на пушеци и пара, възникващи в процеса на готвене, и е предназначен само за домашна употреба.

Аспираторът може да изглежда по различен начин спрямо илюстрациите в това ръководство. Инструкциите за употреба, поддръжка и монтаж обаче остават същите.

- ! Важно е да съхраните тази книжка за консултация във всеки един момент. В случай на продажба, прехвърляне или преместване, се уверете, че тя придружава продукта.
- ! Прочетете инструкциите внимателно: те съдържат важна информация относно монтажа, употребата и безопасността.
- ! Не извършвайте никакви електрически или механични промени по продукта или отвеждащите тръби.
- ! Преди да започнете монтажа на уреда, се уверете, че няма повредени компоненти. В противен случай уведомете своя дилър и не започвайте монтаж.

Забележка: Елементите, маркирани със символа “(*)”, са опционални аксесоари, предоставяни само с някои модели, или елементи, които не са предоставени и трябва да бъдат закупени.



ВНИМАНИЕ

ПРЕДУПРЕЖДЕНИЕ! Не свързвайте уреда към електрическата мрежа, докато монтажът не е изцяло завършен.

Преди почистване или поддръжка изключете аспиратора от електрическата мрежа, като извадите щепсела или прекъснете електрическото захранване.

Винаги носете работни ръкавици при извършване на дейности по монтажа или поддръжката.

Уредът не е предназначен за употреба от деца или лица с намалени физически, сетивни или умствени способности или без опит и познания, освен ако не са наблюдавани или инструктирани относно употребата на уреда от лице, отговорно за тяхната безопасност.

Този уред е предназначен за ползване от възрастни. Децата трябва да бъдат нагледжани, за да се уверите, че не си играят с уреда.

Този уред е предназначен за ползване от възрастни. На децата не трябва да се разрешава да си играят с копчетата за управление или уреда.

Никога не използвайте аспиратора без ефективно монтирана решетка!

Аспираторът НИКОГА не трябва да се използва като опорна повърхност, освен ако не е изрично указано.

Помещенията, в които се монтира уредът, трябва да бъдат с достатъчно добра вентилация, когато кухненският аспиратор се използва заедно с други уреди, работещи с газ или други горива.

Тръбопроводната система на този уред не трябва да бъде свързвана към друга съществуваща вентилационна система, която се използва за друга цел като отвеждане на дима от уреди, работещи с газ или други горива.

Фламбирането на храни под самия аспиратор е строго забранено.

Откритите пламъци са вредни за филтрите и могат да причинят риск от пожар, затова трябва да бъдат избягвани при всякакви обстоятелства.

Всяко пържене трябва да бъде извършвано внимателно, за да е сигурно, че мазнината няма да прегрее и да се запали. Достъпните части на аспиратора могат да се нагорещят при работа с готварски уреди.

С оглед на техническите и предпазните мерки, които трябва да бъдат приложени за отвеждането на дима, е важно да се следват строго разпоредбите на местните власти.

Аспираторът трябва да бъде редовно почистван както отвътре, така и отвън (НАЙ-МАЛКО ВЕДНЪЖ МЕСЕЧНО).


Това трябва да се извършва в съответствие с инструкциите за поддръжка, предоставени в това ръководство. Неспазването на инструкциите, предоставени в това ръководство на потребителя, относно почистването на аспиратора и филтрите, ще доведе до риск от пожар.

Не използвайте и не оставяйте аспиратора без правилно монтирана лампа поради възможния риск от токов удар.

Ние не носим отговорност за никакви повреди, щети или пожари, причинени на уреда, в резултат на неспазване на инструкциите, включени в това ръководство.

Този уред има маркировка съгласно европейска директива 2002/96/EC относно изхвърлянето на използвано електрическо и електронно оборудване (WEEE). Като предадете този продукт на правилното място, вие ще помогнете за предотвратяване на негативните последици за околната среда и човешкото здраве, които биха възникнали при изхвърлянето му на неподходящо място.



Символът  върху продукта или върху документите, придружаващи продукта, указва, че този уред не трябва да се третира като битов отпадък. Вместо това той трябва да бъде предаден в съответния събирателен пункт за рециклиране на електрически и електронни уреди. Изхвърлянето трябва да се извършва в съответствие с местните екологични разпоредби за изхвърляне на излезли от употреба уреди.

За допълнителна информация относно обработването, събирането и рециклирането на този продукт, моля, обърнете се към съответния отдел на вашите местни власти, към местната служба за битови отпадъци или към магазина, от който сте закупили този продукт.

Уредът е проектиран, тестван и произведен съгласно:

- Безопасност: EN/IEC 60335-1; EN/IEC 60335-2-31, EN/IEC 62233.
- Експлоатационни показатели: EN/IEC 61591; ISO 5167-1; ISO 5167-3; ISO 5168; EN/IEC 60704-1; EN/IEC 60704-2-13; ISO 3741; EN 50564; IEC 62301.
- Електромагнитна съвместимост: EN 55014-1; CISPR 14-1; EN 55014-2; CISPR 14-2; EN/IEC 61000-3-2; EN/IEC 61000-3-3.

Предложения за правилна употреба за по-малко въздействие върху околната среда: Включвайте аспиратора на минимална степен, когато започвате да готвите и го оставяйте да работи няколко минути след приключване на готвенето. Увеличавайте степента само в случай на голямо количество дим и пара и използвайте висока степен(и) само в извънредни ситуации. Сменяйте филтъра/те с активен въглен, когато е необходимо, за да поддържате ефективното намаляване на миризмите. Почиствайте филтъра/те с активен въглен, когато е необходимо, за да поддържате ефективното намаляване на миризмите. Използвайте максималния диаметър на тръбопроводната система, указан в това ръководство, за да оптимизирате ефективността и да минимизирате шума.

Допълнителни спецификации за монтажа:

Използвайте само фиксиращите винтове, предоставени с продукта за монтажа или, ако няма предоставени, купете правилен тип винтове. Използвайте винтове с правилна дължина, както е указано в ръководството за монтаж.

В случай на съмнение се консултирайте с одобрен обслужващ център или подобно квалифицирано лице.

ПРЕДУПРЕЖДЕНИЕ! Ако не монтирате винтовете или фиксиращите елементи съгласно тези инструкции, има опасност от електрически удар.

УПОТРЕБА

Аспираторът е предназначен да бъде използван във версия за отвеждане или за филтриране.



Версия за отвеждане

В този случай димът се отвежда извън сградата чрез специална тръба, свързана с пръстена, разположен в горната част на аспиратора.

Внимание! Отвеждащата тръба не се предоставя и трябва да бъде закупена отделно. Диаметърът на отвеждащата тръба трябва да бъде равен на този на свързващия пръстен.

В хоризонталните участъци отвеждащата тръба трябва да бъде леко под наклон (около 10°) и насочена нагоре, за да отвежда въздуха лесно от помещението навън.

Внимание! Ако аспираторът е оборудван с филтър с активен въглен, той трябва да бъде отстранен.

Свържете аспиратора и отвеждащите отвори в стените с диаметър, равен на отвора за въздух (свързващ фланец).

Използването на тръби и отвеждащи отвори в стените с по-малък диаметър ще намали ефективността на отвеждане и драстично ще увеличи шума.

Не носим отговорност за проблеми, свързани с неспазване на горното изискване.

- ! Използвайте тръбопровод с минималната задължителна дължина. Използвайте тръбопровод с възможно най-малък брой огъвания (максимален ъгъл на огъване: 90°)
- ! Избягвайте сериозни промени в напречното сечение на тръбопровода.
- ! Използвайте тръбопровод, максимално гладък от вътрешната страна.
- ! Тръбопроводът трябва да бъде от сертифициран материал.



Версия с филтър

За това е необходим един филтър с активен въглен и с него можете да се сдобие от обичайния си търговец. Филтърът отстранява мазнините и миризмите от извлечения въздух, преди да го върне обратно в помещението през решетката на горния отвор.

МОНТАЖ

Минималното разстояние между опорната повърхност за готварското оборудване на плота и най-ниската част на аспиратора трябва да бъде не по-малко от 50 см за електрически готварски печки и не по-малко от 65 см за газови или комбинирани готварски печки.

Ако инструкциите за монтаж на газов плот изискват по-голямо разстояние, то трябва да бъде спазено.



Електрическо свързване

Електрическото захранване трябва да отговаря на стойностите, указани на табелката с производствени данни, разположена от вътрешната страна на аспиратора. Ако е предоставен щепсел, след монтажа свържете аспиратора с контакт, отговарящ на актуалните разпоредби, и разположен на достъпно място. Ако не е предоставен щепсел (директно свързване с електрическата мрежа) или ако контактът не е разположен на достъпно място, след монтажа поставете двуполушен прекъсвач в съответствие със стандартите, който осигурява пълно изключване от мрежата при условията, свързани с категория III за защита от свръх ток, съгласно инструкциите за монтаж.

Предупреждение! Преди да свържете отново веригата на аспиратора към електрическата мрежа и да проверите ефективната ѝ работа, винаги проверявайте дали захранващият кабел е правилно свързан.

Аспираторът е свързан със специален захранващ кабел; ако кабелът е повреден, поискайте нов от Техническо обслужване.

Монтаж

Много тежък продукт; боравенето и монтажът на аспиратора трябва да се извършват от поне две лица. Преди началото на монтажа:

- Проверете дали закупеният продукт е с подходящ размер за избраното за монтажа място.
- Отстранете филтъра(ите) с активен въглен (*), ако е(са) предоставен(и) (вж. също съответния параграф). Той/те трябва да се монтира само ако искате да използвате аспиратора във версия с филтър.
- Проверете (по причини, свързани с транспорта) дали няма други предоставени материали вътре в аспиратора (напр. пакети с винтове (*), гаранции (*) и др.), отстранете ги и ги запазете.
- Ако е възможно, изключете и преместете свободно стоящите или вградените уреди от шкафа, за да осигурите по-лесен достъп до задната стена/тавана. В противен случай поставете дебело защитно покритие върху работния или готварския плот, за да го защитите от повреди или отломки. Изберете равна повърхност за сглобяване на уреда. Покрийте повърхността със защитно покритие и поставете всички части на аспиратора върху нея.
- Допълнително проверете дали има електрически контакт близо до мястото на монтажа (достъпен и след като аспираторът бъде монтиран) и дали е възможно да се свърже устройство за отвеждане на дима навън (само при версия с отвеждане).
- Извършете цялата необходима зидарска работа (напр. монтиране на електрически контакт и/или отвор за преминаване на отвеждащата тръба).

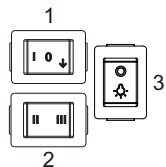
Предоставени са дюбели за закрепване на аспиратора към повечето типове стени/тавани. Въпреки това квалифициран техник трябва да провери пригодността на материалите в съответствие с типа стена/таван. Стената/таванът трябва да са достатъчно издръжливи да понесат теглото на аспиратора. Не зазидвайте, не циментирайте и не закрепвайте със силикон уреда към стената. Разрешен е монтаж само на повърхността.

РАБОТА

Използвайте високата степен на мощност в случаите на силна пара. Препоръчително е да включвате абсорбатора 5 минути преди готвене и да работи около 15 минути след готвене. Долу са описани трите типа работа.

КЛЮЧ

Работата на абсорбатора се управлява от три ключа, разположени от всяка страна. Те са видими, когато телескопичната част е изтеглена напред. Телескопичният абсорбатор е оборудван с ограничителен ключ. Всеки път, когато изтеглите телескопичната част, абсорбаторът ще започне работа с последната зададена мощност.



- 0 – Изключете абсорбатора.
I – абсорбаторът работи на степен 1.
↓ – превключете за степен II или степен III.
- II – уредът работи на степен 2 (когато ключ 1 е в позиция ↓).
III – уредът работи на степен 3 (когато ключ 1 е в позиция ↓).
- / ☼ – Осветление ВКЛ / ИЗКЛ.

Бутонът, маркиран с ☼, се използва за включване и изключване на осветлението. Осветлението на абсорбатора работи независимо от мотора му. С натискане на ☼ няма да задействате мотора.

Когато предният панел се върне в затворена позиция, ограничителният ключ изключва мотора и спира осветлението. Ако моторът на абсорбатора и осветлението са включени, моторът ще започне работа, а осветлението ще свети, когато панелът бъде изтеглен напред.

УПРАВЛЕНИЕ С КОПЧЕТА



- ① – ВКЛ/ИЗКЛ на абсорбатора. При натискане на бутона, уредът ще започне работа на степен 1.
- ☼ – Натиснете бутона за степен 2 и уредът ще започне работа на степен 2.
- ☼ – Натиснете бутона за степен 3 и уредът ще започне работа на степен 3.
- ☼ – Натиснете бутона за осветление, за да включите осветлението. Натиснете отново, за да изключите осветлението.

СЕНЗОРНО УПРАВЛЕНИЕ



- ① – Натиснете бутон ВКЛ/ИЗКЛ за да започнете да избирате степени на мощност.
- ☼ – Натиснете бутона за степен 1, за да включите мотора на степен 1.
- ☼ – Натиснете бутона за степен 2, за да включите мотора на степен 2.
- ☼ – Натиснете бутона за степен 3, за да включите мотора на степен 3.
- ☼ – Натиснете бутона за осветление, за да включите осветлението. Натиснете отново, за да изключите осветлението.

ПОДДРЪЖКА

ВНИМАНИЕ! Преди каквато и да било дейност по поддръжката, изключете аспиратора от електрическата мрежа като изключите конектора и отстраните предпазителя на конектора.

Или, ако аспираторът е свързан чрез щепсел в контакта, извадете щепсела от контакта.

Почистване

Аспираторът трябва да се почиства редовно (най-малкото със същата честота, с която извършвате поддръжката на филтъра за мазнини) отвътре и отвън. Почистете, като използвате кърпа, навлажнена с неутрален течен почистващ препарат. Не използвайте абразивни продукти. **НЕ ИЗПОЛЗВАЙТЕ АЛКОХОЛ!**

ПРЕДУПРЕЖДЕНИЕ: Неспазването на основните препоръки за почистване на аспиратора и смяна на филтрите може да създаде опасност от пожар. Затова препоръчваме спазването на тези инструкции. Производителят не поема никаква отговорност за щети по мотора или щети от пожар, свързани с неправилна поддръжка или неспазване на горните препоръки за безопасност.

Филтри

Металният филтър за мазнини улавя мазните частици от готвенето. Филтърът за мазнини трябва да се почистват веднъж месечно с неагресивни почистващи препарати, или на ръка, или в съдомиялна, която трябва да бъде настроена на ниска температура и кратък цикъл. Когато се мие в съдомиялна машина, филтърът за мазнини може да се обезцвети, но това не се отразява на филтриращата му способност. За да извадите филтъра за мазнини, изтеглете дръжката за освобождаване на пружината.

Филтърът с активен въглен (само при версия с филтър) поема неприятните миризми, предизвикани от готвенето. Напояването на филтъра с активен въглен се случва след дълга употреба, в зависимост от типа готвене и редовното почистване на филтъра за мазнини. При всички случаи е необходимо да сменят патрона най-малко на всеки четири месеца. Филтърът с активен въглен НЕ трябва да се мие или регенерира.

Смяна на крушка

Аспираторът е оборудван със система за осветление, базирана на LED технология. Светодиодите гарантират оптимално осветление с продължителност 10 пъти по-голяма от традиционните крушки и позволяват 90% пестене на електрическа енергия.

ВНИМАНИЕ!

! За подмяна се обърнете към сервиза за техническо обслужване.

Съвети за пестене на енергия

- 1) Когато започнете да готвите, включвайте аспиратора на минимална степен, за да контролирате влагата и отстраняването за миризмите от готвенето
- 2) Увеличавайте степента на аспиратора само когато количеството пара го изисква
- 3) Поддържайте филтъра(ите) чисти за оптимална ефективност при отстраняването на мазнини и миризми.

Strogo se pridržavajte uputa koje donosi ovaj priručnik. Proizvođač otklanja bilo kakvu odgovornost za eventualne nesreće, štete ili požar, do kog bi moglo da dođe ako se ne pridržavate uputstava koje donosi ovaj priručnik. Kuhinjska napa projektovana je za odvođenje dima i pare koji nastaju kod kuhanja, i namijenjena je isključivo za upotrebu u domaćinstvu.

Izgled nape može da se razlikuje od slika u ovom priručniku. Bez obzira na to, uputstva za upotrebu, održavanje i montažu ostaju nepromijenjena.

- ! Važno je da sačuvate ovaj priručnik kako biste mogli da ga konsultujete u svakom trenutku. U slučaju da prodate odnosno poklonite ovaj proizvod, ili da se preselite, gledajte da priručnik uvijek izručite zajedno sa proizvodom.
- ! Pažljivo pročitajte uputstva: u njima se nalaze važne informacije o instalaciji, upotrebi i bezbjednosti.
- ! Nemojte raditi nikakve mehaničke ili električne prerade (prepravljanja), odnosno zahvate na proizvodu ili na odvodnim crijevima za izbacivanje pare.
- ! Prije montaže aparata provjerite jesu li sve komponente stige neoštećene. Ako otkrijete da je neki sastavni dio oštećen, pozovite svog trgovca, a aparat nemojte nikako instalirati.

Napomena: Pojednosti koje su označene znakom zvjezdice "(*)" spadaju u opcionalan pribor koji je priložen samo sa određenim modelima, ili je na raspolaganju kao dodatna oprema, koja nije priložena ka aparatu.



PAŽNJA!

Upozorenje! Aparat nemojte spajati na električnu mrežu sve dok niste kompletno završili sa instaliranjem.

Prije bilo kakvog čišćenja ili održavanja, iskopčajte kuhinjsku napu iz električne mreže vadeći utikač ili isključivši opšti kućni prekidač/skopku, odnosno osigurač.

Kod svih radova na instalaciji i montaži te održavanju nape, uvijek nosite zaštitne rukavice.

Ovaj aparat nije namijenjen za upotrebu osobama (uključivši i djecu) smanjenih fizičkih, motoričkih ili duševnih sposobnosti, odnosno osobama bez potrebnih iskustava ili znanja, izuzev ako su pod nadzorom osoba zaduženih za njihovu bezbjednost, koje će im pružiti potrebnu pomoć i uputstva za bezbjedno rukovanje uređajem.

Aparat je namijenjen odraslim osobama. Trebate paziti na malu djecu i nemojte im dozvoliti da se igraju aparatom.

Aparat je namijenjen odraslim osobama. Nemojte dozvoliti djeci da se igraju s upravljačkim elementima aparata ili sa samim aparatom.

Na upotrebljavajte nikada kuhinjsku napu ako pregrada ili mrežica na njoj nije pravilno montirana!

Ne upotrebljavajte NIKADA napu kao podlogu na koju ćete stavljati predmete ukoliko to nije izričito dozvoljeno.

Prostorija treba da ima izdašno provjetranje kada se kuhinjska napa koristi istovremeno s drugim aparatima u kojima sagorijeva zemni gas ili neko drugo gorivo.

Sistem za odvajanje para i mirisa iz ovog aparata ne smije biti proveden u cijev koja se koristi za izbacivanje dimova koje proizvode ostali aparati, koji za svoj rad koriste gas ili neko drugo gorivo.

Strogo se zabranjuje flambiranje, odnosno upotreba otvorenog plamena za pripremanje hrane ispod nape.

Korištenje nekontrolisanog otvorenog plamena je štetno za filtere i može da izazove požar, te ga u svakom slučaju treba izbjegavati.

Držite pod kontrolom postupak pri prženju kako biste izbjegli da se pregrijano ulje zapali.

Neki dijelovi mogu se znatno zagrijati kada se koriste zajedno sa aparatima za kuhanje.

Što se tiče tehničkih mjera kojih se treba pridržavati u vezi izduvnih gasova i dima, strogo se pridržavajte propisa nadležnih lokalnih organa.

Kuhinjsku napu treba često i redovito čistiti i prati i izvana i iznutra (BAREM JEDNOM MJESEČNO).

Napu čistite u skladu sa svime što je navedeno u uputstvima za održavanje koje donosi ovaj priručnik. Nepoštivanje propisa o čišćenju nape i zamjene i čišćenja filtra povećava opasnost od požara.

Napu nemojte koristiti niti ostavljati bez nadzora a da niste pravilno montirali osvjjetljenje, jer postoji rizik od električnog udara.

Proizvođač otklanja bilo kakvu odgovornost zbog eventualnih oštećenja, povreda ili požara koje bi mogao izazvati aparat ili koji bi nastali na aparatu, a koji proizlaze iz nepoštivanja uputstava koje donosi ovaj priručnik.

Ovaj aparat je označen u skladu s Evropskom Direktivom 2002/96/EC o otpadnoj električnoj i elektronskoj opremi (Waste Electrical and Electronic Equipment - WEEE). Provjerite jeste li proizvod otpremili na otpad i zbrinuli u skladu s lokalnim propisima, čime ćete doprinijeti ka sprečavanju i otklanjanju eventualnih negativnih posljedica za životnu sredinu i za zdravlje ljudi.



Simbol na proizvodu ili na njegovoj ambalaži označuje da tim proizvodom ne smijete postupati kao i sa ostalim kućanskim otpadom. Umjesto toga, uređaj je potrebno uručiti prikladnim zbirnim mjestima za recikliranje električne i elektroničke opreme. Ispravnim zbrinjavanjem odsluženog uređaja pridonosite ka sprečavanju negativnih posljedica za životnu sredinu i zdravlje ljudi, koje bi inače mogle da se pojave u slučaju nepravilnog rukovanja otpadom ovog proizvoda. Za detaljnije informacije o recikliranju ovog proizvoda molimo vas da kontaktirate lokalne organe, komunalnu službu za odvoz kućanskog otpada ili prodavnicu u kojoj ste kupili proizvod.

Aparat je dizajniran, ispitan i izrađen u skladu s narednim standardima odnosno propisima:

- Bezbjednost: EN/IEC 60335-1; EN/IEC 60335-2-31, EN/IEC 62233.
- Efikasnost djelovanja: EN/IEC 61591; ISO 5167-1; ISO 5167-3; ISO 5168; EN/IEC 60704-1; EN/IEC 60704-2-13; ISO 3741; EN 50564; IEC 62301.
- EMC (elektromagnetska kompatibilnost): EN 55014-1; CISPR 14-1; EN 55014-2; CISPR 14-2; EN/IEC 61000-3-2; EN/IEC 61000-3-3.

Preporuke za pravilnu uporabu da bi smanjili utjecaj na okoliš: UPUTITE napu u rad na minimalnoj brzini kada započinjete s kuhanjem. Ostavite je da radi još nekoliko minuta nakon što ste završili s kuhanjem. Brzinu odnosno stepen rada povećajte samo u slučaju veće količine dima i pare, a izrazito jak stepen rada, odnosno visoku brzinu koristite isključivo u krajnjim slučajevima. Po potrebi zamijenite ugljene filtre (odnosno ugljeni filter), kako biste održali dobru učinkovitost uklanjanja neprijatnih mirisa. Po potrebi očistite filtere za masnoću (odnosno filter za masnoću), kako biste sačuvali njihovu učinkovitost. Koristite odvodna crijeva najvećeg prečnika, navedenog u ovom priručniku, jer će tako efikasnost biti optimalna, a buka minimalna.

Dodatne specifikacije u vezi instalacije nape:

Za instalaciju nape koristite samo šarafe za pričvršćenje koji su priloženi k aparatu. Ako šarafi nisu priloženi, trebate kupiti šarafe odgovarajućeg tipa. Koristite pravilnu dužinu šarafa, u skladu s podacima u Uputstvu za montažu.

Ako se dvoumite, posavjetujte se s ovlaštenim serviserom, centrom za pomoć korisnicima, ili s nekom drugom odgovarajuće osposobljenom osobom.

UPOZORENJE! Ako šarafe ili okove za montažu nape ne montirate u skladu s ovim uputstvima može nastati opasnost električnog udara.

UPOTREBA

Napa je izrađena tako da se može koristiti bilo u odvodnoj ili u recirkulacijskoj (filter) verziji.



Odvodna verzija

U ovom se slučaju para i mirisi izbacuju napolje uz pomoć posebnog izduvnog crijeva za odvod koji se pričvršćuje na spojnu prirubnicu na gornjem dijelu nape.

Upozorenje! Odvodno crijevo nije priloženo s opremom te treba da se kupi. Prečnik odvodnog crijeva treba da je jednak prečniku spojne prirubnice.

U horizontalnom dijelu, crijevo treba lagano da se penje prema gore (otprilike 10°) na način da na što lakše moguć način izbacuje zrak napolje.

Pažnja! Ako je kuhinjska napa opremljena karbonskim filterima, njih treba ukloniti.

Povežite kuhinjsku napu i otvore u zidu za odvajanje para i mirisa s istim prečnikom otvora za zrak na napi (spojna prirubnica).

Korištenje crijeva i otvora za izbacivanje na zidu koji imaju manji prečnik, smanjuje sposobnost usisavanja te će dovesti do znatnog povećanja buke.

Stoga otklanjamo bilo kakvu odgovornost u vezi s takvim slučajevima.

- ! Odvodno crijevo koje koristite treba da bude što kraće.
- ! Kada instalirate odvodno crijevo, gledajte da ima minimalni mogući broj pregiba. Najveći dozvoljeni ugao savinuća iznosi 90°.
- ! Izbjegavajte drastične promjene prečnika crijeva.
- ! Koristite crijeva koja imaju što je moguće glađu unutrašnjost.
- ! Materijal od kojeg je napravljeno crijevo za odvod zraka treba da bude odobren odgovarajućim certifikatima.



Filterska (recirkulacijska) varijanta

Za ovu varijantu trebate vam ugljeni filter, kog možete nabaviti u trgovini s kućanskim aparatima. Filter će očistiti usisani zrak od masnoća i mirisa, te će ga očišćenog ponovno vratiti u prostoriju kroz izlazne otvore na gornjoj strani aparata.

Postavljanje

Minimalni razmak između nosive podloge za posuđe na uređaju za kuhanje i najnižeg dijela kuhinjske nape ne smije da bude manji od 50 cm kada se radi o električnim štednjacima, a 65 cm u slučaju plinskih ili kombinovanih štednjaka.

Ukoliko uputstva za instalaciju aparata na gas govore da je potreban veći razmak, trebate se pridržavati propisanog razmaka.



Spajanje na električnu instalaciju

Napon električne mreže treba odgovarati specifikacijama napona koji je naveden na natpisnoj pločici koja se nalazi u unutrašnjosti kuhinjske nape. Ukoliko se na priključnom kابلu nalazi montiran utikač, povežite kuhinjsku napu preko utičnice koja udovoljava važećim propisima, i koja je postavljena na pristupačnom mjestu čak i nakon instalacije.

Ako priključni kabl nije opremljen utikačem (direktno povezivanje s mrežom) ili utičnica nije postavljena na pristupačnom mjestu nakon instalacije, treba ugraditi dvopolan prekidač koji je u skladu sa standardima i koji obezbjeđuje kompletno izolovanje aparata od električne mreže u uslovima kategorije III o previsokom naponu, u skladu s propisima o instalaciji.

Upozorenje! Prije nego što kuhinjsku napu priključite na električnu mrežu te provjerite pravilno funkcioniranje, uvijek provjerite je li priključni kabl bio pravilno montiran.

Način montaže

Aparat je veoma težak. U postavljanju i rukovanju napom prilikom njene instalacije neka učestvuju barem dvije osobe.

Prije nego što počnete s postavljanjem:

- Provjerite da li proizvod koji ste kupili ima dimenzije koje odgovaraju mjestu koje ste odabrali za instalaciju.
- Uklonite aktivni karbonski filter ukoliko je priložen (pogledati poglavlje koje se odnosi na to). Ugljene filtere treba montirati samo ukoliko koristite kuhinjsku napu u filterskoj izvedbi.
- Provjerite da se u unutrašnjosti nape možda ne nalazi kakav materijal ili drugi predmeti (koji bi tamo mogli da padnu tokom transporta, na primjer kese sa šarafima, garancijski list, itd.), te ih po potrebi izvadite i sačuvajte.
- Ukoliko je moguće, iskopčajte i pomjerite slobodno stojeći štednjak ili namještaj koji je ispod ili u blizini zone na koju se postavlja kuhinjska napa kako bi se olakšao pristup plafonu ili zidu na koji se postavlja napa. Ukoliko to nije moguće, preko površine za kuhanje ili preko štednjaka prebacite deblju zaštitnu prevlaku, kako bi zaštitili sve ono što bi moglo biti oštećeno prilikom postavljanja nape. Za sastavljanje aparata odaberite ravnu površinu i pokrijte je zaštitnim pokrivačem, na kog stavite sve dijelove kuhinjske nape i materijal za njenu montažu.
- Uvjerite se da se u blizini zone u kojoj ćete instalirati kuhinjsku napu (u zoni u kojoj je moguć pristup i kad ste završili s montiranjem nape) nalazi i utičnica za struju i da je moguće spajanje na instalaciju za odvajanje para i mirisa na otvoreno (samo za usisnu verziju).
- Obavite sve potrebne zidarske radove (na primjer instaliranje električne utičnice i/ili otvora za prolazak izduvnog crijeva).

Kuhinjska napa ima priložene zidne plastične uloške (tiple) za pričvršćivanje koji su prikladni za skoro sve zidove ili plafone. Bez obzira na to, neka kvalifikovani stručnjak ipak utvrdi prikladnost materijala obzirom na vrstu zida ili plafona. Zid ili plafon treba da je dovoljno čvrst kako bi podnio težinu kuhinjske nape.

Ovaj aparat nemojte pokušavati montirati na zid odnosno ugraditi ga koristeći pločice, fugirnu masu odnosno žbuku ili korištenjem silikonskog kita. Aparat je namijenjen isključivo površinskoj montaži.

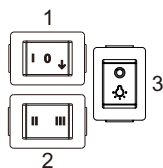
FUNKCIONIRANJE APARATA

Visoku brzinu usisavanja koristite samo u slučaju velike koncentracije pare i dima u toku kuhanja. Savjetujemo vam da usisavanje uputite 5 minuta prije nego što ćete početi s kuhanjem, i da ostavite napu da radi još otprilike 15 minuta nakon što ste završili s kuhanjem. U nastavku su opisana tri načina rada.

PREGIBNI PREKIDAČ

Radom nape upravljate pomoću tri prekidača koji se nalaze na bočnim stranicama aparata. Prekidači su vidljivi kada izvučete teleskopsku prednju ploču.

Teleskopska napa opremljena je graničnim prekidačem. Svaki puta kada izvučete teleskopsku čeonu ploču, napa započinje s radom na posljednjoj podešenoj snazi rada.



- 0 – Napa je isključena.
I – Napa radi na 1. stepenu snage.
↓ – Prebacite prekidač u taj položaj, čime omogućujete .
2. ili 3. stepen snage rada.
- II – Rad nape na 2. stepenu snage (kada je prekidač 1 u položaju ↓).
III – Rad nape na 3. stepenu snage (kada je prekidač 1 u položaju ↓).
- O / ⚡ – Uključenje/isključenje osvjetljenja.

Tipkom označenom simbolom ⚡, uključite ili isključite osvjetljenje. Osvjetljenje nape funkcioniše neovisno o radu motora nape. Pritiskom na tipku ⚡ pokrećete rad motora nape.

Kada ponovno zatvorite teleskopsku čeonu ploču, granični prekidač zaustavlja rad motora nape i isključuje osvjetljenje.

Ako su motor nape i prekidač za osvjetljenje već uključeni, kada izvučete prednju ploču motor nape se pokreće, a osvjetljenje se uključuje.

UPRAVLJANJE TIPKAMA



- ① – Uključenje/isključenje rada nape. Pritiskom na tipku napa započinje s radom na 1. brzini (odnosno na prvom stepenu snage).
- ⚡ – Pritiskom na tipku za 2. brzinu pokreće se rad motora na 2. brzini.
- ⚡ – Pritiskom na tipku za 3. brzinu pokreće se rad motora na 3. brzini.
- ⚡ – Pritiskom na tu tipku uključuje se osvjetljenje. Za isključenje osvjetljenja ponovno pritisnite istu tipku.

UPRAVLJANJE DODIROM



- ① – Pritiskom na senzorsku tipku za upućivanje u rad/isključenje omogućujete biranje brzine rada motora.
- ⚡ – Pritiskom na tipku za 1. brzinu pokreće se rad motora na 1. brzini.
- ⚡ – Pritiskom na tipku za 2. brzinu pokreće se rad motora na 2. brzini.
- ⚡ – Pritiskom na tipku za 3. brzinu pokreće se rad motora na 3. brzini.
- ⚡ – Pritiskom ove senzorske tipke palite svjetlo, odnosno osvjetljenje nape. Za isključenje osvjetljenja ponovno pritisnite istu tipku.

ODRŽAVANJE

Upozorenje! Prije bilo kakvog postupka čišćenja ili održavanja, iskopčajte kuhinjsku napu iz napajanja električnom strujom na način da izvadite utikaču ili isključite glavni prekidač odnosno osigurač kućne instalacije.

Ako je aparat priključen na električnu mrežu preko utičnice, izvucite utikač iz utičnice.

Čišćenje

Kuhinjsku napu treba često čistiti (barem isto tako često kao i filtere za uklanjanje masnoće), kako s unutrašnje tako i sa spoljašnje strane. U tu svrhu koristite ovlaženu krpu s neutralnim deterdžentom. Izbjegavajte upotrebu grubih odnosno abrazivnih proizvoda za čišćenje. **NEMOJTE KORISTITI ALKOHOL!**

UPOZORENJE: Ako ne poštujuete osnovne preporuke u vezi čišćenja aparata i pravila o zamjeni filtera, povećava se rizik od požara. Stoga se preporučuje pridržavanje navedenih uputstava.

Proizvođač otklanja bilo kakvu odgovornost za eventualne štete nastale na motoru, ili štete koje bi nastale zbog požara izazvanog kao posljedica neodgovarajućeg održavanja ili neuvažavanja gore navedenih bezbjednosnih predostrožnosti.

Filteri

Metalni filter za masnoću zadržava čestice masnoće koje se stvaraju prilikom kuhanja.

Taj filter za masnoću treba čistiti jednom mjesečno koristeći neagresivne deterdžente, bilo ručno ili u mašini za pranje posuđa, u kom slučaju treba izabrati program pranja s kratkim ciklusom i na niskoj temperaturi.

Ako filter perete u mašini za pranje posuđa, možda ćete opaziti manju promjenu ili gubitak boje, što ni u kom slučaju ne utječe na učinkovitost filtera.

Da biste skinuli filter za uklanjanje masnoće povucite feder ručicu koja se otkaçi.

Ugljeni filter (samo za filtersku izvedbu nape) zadržava neugodne mirise koji se stvaraju prilikom kuhanja.

Nakon duže upotrebe dolazi do zasićenja filtera – ovisno o načinu kuhanja i o učestalosti čišćenja filtera za masnoću. U svakom slučaju kasetu ugljenog filtera treba zamijeniti na svaka četiri mjeseca. Ugljeni filter NIJE dozvoljeno prati ili regenerisati.

Zamjena sijalice

Napa je opremljena sistemom za osvjetljenje koji se zasniva na LED tehnologiji. LED sijalice omogućuju optimalnu osvjetljenost, njihov životni vijek je 10 puta duži od životnog vijeka uobičajenih sijalica, a istovremeno omogućuju i 90 % uštede električne energije.

Upozorenje!

! Svezi sa zamjenom, obratite se tehničkoj potpori.

Savjeti za štednju energije

- 1) Na početku kuhanja uputite napu u rad na minimalnoj brzini rada, kako bi kontrolisali vlagu i odvajali mirise koji nastaju tokom kuhanja.
- 2) Brzinu rada nape povećajte samo kada je to neophodno zbog količine para i hlapova.
- 3) Za optimalnu efikasnost uklanjanja masnoća i mirisa održavajte čistoću svih filtera nape.

Dodržujte přesně pokyny uvedené v tomto návodu. Zříkáme se veškeré odpovědnosti za případné problémy, škody nebo požár způsobené nedodržením pokynů v tomto návodu. Digestoř je určena k odsávání výparů a páry a je určena pouze k použití v domácnosti.

Vzhled digestoře se může lišit od zobrazeného na výkresech v této brožuře. Pokyny k použití, údržbě a instalaci se však nemění.

- ! Je důležité si tuto brožuru uschovat k okamžitému nahlédnutí. V případě prodeje, postoupení nebo stěhování zajistěte, aby byla stále u výrobku.
- ! Pokyny si přečtěte pozorně: obsahují základní informace o instalaci, použití a bezpečnosti
- ! Neprovádějte žádné elektrotechnické ani mechanické změny na výrobku nebo na vypouštěcích potrubích.
- ! Před zahájením instalace spotřebiče ověřte, zda nejsou poškozeny žádné jeho součásti. V opačném případě se obraťte na svého prodejce a v instalaci nepokračujte.

Poznámka: prvky označené symbolem „(*)“ představují volitelné příslušenství a dodávají se pouze s některými modely nebo je nutné tyto prvky dokoupit, nedodávají se s výrobkem.



POZOR

VAROVÁNÍ! Dokud není instalace dokončena, nepřipojte spotřebič k elektrické síti.

Před jakýmkoli čištěním nebo údržbou odpojte digestoř od sítě tím, že vytáhnete zástrčku nebo odpojte síťový zdroj.

Při všech montážních a údržbových pracích mějte vždy nasazené pracovní rukavice.

Přístroj není určen k tomu, aby jej obsluhovaly děti nebo osoby s poruchami tělesných, sensorických nebo duševních schopností, nebo pokud nemají zkušenosti či znalosti, pokud nejsou pod dohledem nebo pokud nebyly vyškoleny v používání tohoto spotřebiče osobou odpovědnou za jejich bezpečnost.

Tento spotřebič je určen k tomu, aby jej obsluhovaly dospělé osoby. Děti by měly být pod dohledem s cílem zajistit, aby si se spotřebičem nehrály.

Tento spotřebič je určen k obsluze dospělými osobami. Dětem je nutné zakázat, aby manipulovaly s ovládacími prvky nebo si se spotřebičem hrály.

Digestoř nikdy nepoužívejte bez řádně namontované mřížky!

Digestoř NIKDY nepoužívejte jako odkládací plochu, pokud tak není výslovně uvedeno.

Jestliže se kuchyňská digestoř používá společně s jinými zařízeními spalujícími plyn či jiná paliva, musí být prostory, kde je spotřebič nainstalován, dostatečně větrané.

Potrubní systém pro tento spotřebič nesmí být připojen k žádnému stávajícímu ventilačnímu systému, který se používá k jakémukoli jinému účelu, například k odsávání výfukových plynů ze spotřebičů spalujících plyn či jiná paliva.

Pod digestoři se přísně zakazuje příprava potravin na otevřeném ohni (např. flambování).

Používání otevřeného ohně poškozuje filtry a může způsobit riziko požáru, a proto je nutné se mu za všech okolností vyhnout.

Veškeré smažení je třeba provádět s opatrností, abyste se olej nepřehřál a nevnítíl. Přístupné díly digestoře se mohou při použití s varným spotřebičem zahřívát.

Pokud jde o technická a bezpečnostní opatření, která mají být při odsávání výparů přijata, je důležité pečlivě dodržovat předpisy, které vydaly místní úřady.

Digestoř je třeba pravidelně čistit jak uvnitř, tak zvenku (NEJMÉNĚ JEDNOU MĚSÍČNĚ).


Je třeba tak činit v souladu s pokyny pro údržbu uvedenými v tomto návodu). Nedodržení pokynů uvedených v tomto návodu týkajících se čištění digestoří a filtrů vede k nebezpečí vzniku požáru.

Nepoužívejte ani nenechávejte digestoř bez řádně namontovaného osvětlení z důvodu možného rizika úrazu elektrickým proudem.

Nepřebíráme žádnou odpovědnost za jakékoli poruchy, škody nebo požár způsobené spotřebičem v důsledku nedodržení pokynů obsažených v tomto návodu.

Tento spotřebič je označen podle evropské směrnice 2002/96/ES o odpadních elektrických a elektronických zařízeních (WEEE). Tím, že zajistíte řádnou likvidaci tohoto výrobku, pomůžete předcházet možným negativním dopadům na životní prostředí a lidské zdraví, které by jinak mohly vzniknout při nevhodném nakládání s tímto výrobkem.



Tento symbol  na výrobku nebo na dokladech přiložených k výrobku označuje, že s tímto spotřebičem nelze nakládat jako s komunálním odpadem. Namísto toho je nutné jej dopravit na příslušné sběrné místo určené k recyklaci elektrických a elektronických zařízení. Likvidace musí být provedena v souladu s místními ekologickými předpisy pro likvidaci odpadu.

Další podrobnosti týkající se procesu, sběru a recyklace tohoto výrobku vám poskytne příslušné oddělení místních úřadů nebo místní oddělení pro komunální odpad nebo prodejna, kde jste tento výrobek zakoupili.

Spotřebič je zkonstruován, zkoušen a vyroben podle:

- Bezpečnost: EN/IEC 60335-1; EN/IEC 60335-2-31, EN/IEC 62233.
- Výkon: EN/IEC 61591; ISO 5167-1; ISO 5167-3; ISO 5168; EN/IEC 60704-1; EN/IEC 60704-2-13; ISO 3741; EN 50564; IEC 62301.
- EMC: EN 55014-1; CISPR 14-1; EN 55014-2; CISPR 14-2; EN/IEC 61000-3-2; EN/IEC 61000-3-3.

Tipy na správné používání s cílem snížit dopady na životní prostředí: Na začátku vaření zapnete digestoř na minimální výkon a nechte ji běžet i několik minut po ukončení vaření. Zvyšte výkon pouze v případě velkého množství kouře a páry a maximální výkon používejte pouze v extrémních situacích. Pokud je to nezbytné, vyměňte filtr (filtry) s aktivním uhlím, abyste zachovali dobrou účinnost omezování zápachů. V případě potřeby vyčistíte tukový filtr (filtry), aby se zachovala dobrá účinnost tukového filtru. Použijte maximální průměr potrubí uvedený v tomto návodu, abyste optimalizovali účinnost a minimalizovali hluk.

Další specifikace pro instalaci:

K instalaci použijte pouze upevňovací šrouby dodávané s výrobkem, nebo pokud nejsou dodány, správný typ šroubů si zakupte. U šroubů, které jsou uvedené v příručce pro instalaci, použijte správnou délku.

V případě pochybností se obraťte na autorizované servisní středisko nebo na osobu s podobnou kvalifikací.

VAROVÁNÍ! Při nedodržení instalace šroubů nebo upevňovacích zařízení v souladu s těmito pokyny může dojít ke vzniku elektrického nebezpečí.

POUŽITÍ

Digestoř je zkonstruována k použití v provedení buď pro odsávání nebo pro filtraci.



Provedení pro odsávání

V tomto případě se výpary odvádějí mimo budovu pomocí speciální trubky, která je připojena pomocí připojovacího kroužku umístěného na horní části digestoře.

Pozor! Odsávací trubka se nedodává a je třeba ji zakoupit. Průměr odsávací trubky se musí shodovat s průměrem připojovacího kroužku.

V horizontálních vedeních musí mít odsávací trubka mírný sklon (přibližně 10°) a musí směřovat směrem vzhůru, aby vzduch snadno unikal z místnosti směrem ven.

Pozor! Pokud se digestoř dodává s filtrem s aktivním uhlím, je nutné jej demontovat.

Spojte digestoř a vypouštěcí otvory na stěnách s průměrem odpovídajícím výstupu vzduchu (připojovací příruba).

Použití trubek a vypouštěcích otvorů na stěnách s menšími rozměry způsobí snížení sacího výkonu a drastický nárůst hluku.

V této věci se proto zříkáme veškeré odpovědnosti.

- ! Použijte potrubí o minimální nepostradatelné délce.
- ! Použijte potrubí s co nejmenším počtem kolem (maximální úhel kolena: 90°).
- ! Vyhňte se drastickým změnám průřezu potrubí.
- ! Použijte potrubí, které má uvnitř co možná nejhladší povrch.
- ! Potrubí musí být vyrobeno z certifikovaného materiálu.



Provedení pro filtraci

Pro tento účel je třeba jeden filtr s aktivním uhlím a lze jej získat od vašeho obvyklého prodejce.

Filtr z odváděného vzduchu odstraňuje mastnotu a zápachy a pak jej posílá zpět do místnosti přes horní výstupní mřížku.

INSTALACE

Minimální vzdálenost mezi opěrnou plochou pro varné zařízení na varné desce a nejnižší částí digestoře nesmí být menší než 50 cm u elektrických sporáků a 65 cm u plynových nebo smíšených sporáků.

Pokud pokyny k instalaci plynové varné desky stanovují větší vzdálenost, je nutné ji dodržet.



Elektrické připojení

Hodnoty napájení z elektrické sítě musí odpovídat na hodnotám na štítku umístěném uvnitř digestoře. Pokud je k dispozici zástrčka, připojte digestoř k zásuvce v souladu s platnými předpisy a po instalaci ji umístěte do přístupného prostoru. Pokud zástrčka není k dispozici (přímé připojení k síti) nebo pokud není zástrčka umístěna v přístupném prostoru, použijte dvojpólový přepínač v souladu s normami, který zajistí úplné odpojení od sítě za podmínky přepětí kategorie III, v souladu s pokyny k instalaci.

Varování! Před opětovným připojením obvodu digestoře k síti a kontrolou efektivní funkce vždy zkontrolujte, zda je síťový kabel správně sestaven.

Digestoř je opatřena speciálním napájecím kabelem. Jestliže je tento kabel poškozený, vyžádejte si od Technického servisu nový.

Montáž

Jedná se o velmi těžký výrobek, manipulaci s digestoři a její montáž musí provádět nejméně dvě osoby. Před zahájením instalace:

- Zkontrolujte, zda má zakoupený výrobek pro zvolené místo instalace vhodné rozměry.
- Demontujte filtr (filtry) (*) s aktivním uhlím, pokud je dodán (viz také příslušný odstavec). Tento filtr (filtry) se montuje pouze v případě, že chcete použít digestoř v provedení pro filtraci.
- Zkontrolujte (z důvodu přepravy), že se v digestoři nenachází žádný jiný dodávaný materiál (např. sáčky se šrouby (*), záruky (*), atd.), případně je vyjměte a uschovejte.
- Je-li to možné, s otvoru pro skříň odpojte a přesuňte samostatně stojící nebo zasunovací sporák, abyste usnadnili přístup k zadní stěně / stropu. V opačném případě na kuchyňskou linku, varnou desku nebo sporák položte silnou ochrannou krytinu, abyste zajistili ochranu před poškozením a nečistotami. K sestavení spotřebiče zvolte rovnou plochu. Zakryjte tuto plochu ochrannou krytinou a položte na ni všechny součásti digestoře a montážní vybavení.
- Kromě toho zkontrolujte, zda se v blízkosti místa instalace digestoře (v oblasti přístupné také při namontované digestoři) nachází elektrická zásuvka a zda je možné připojit zařízení pro odsávání výparů do venkovního prostoru (pouze provedení pro odsávání).
- Proveďte veškeré potřebné práce na zdivu (např. instalaci elektrické zásuvky a / nebo otvoru pro průchod vypouštěcí trubky).

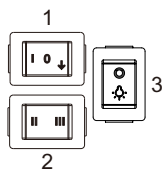
K upevnění digestoře na většinu typů stěn / stropů slouží hmoždinky. Avšak vhodnost materiálů podle typu stěny / stropu musí ověřit kvalifikovaný technik. Stěna / strop musí mít dostatečnou pevnost k udržení váhy digestoře. Tento spotřebič neupevňujte ke stěně pomocí dlaždic, cementové kaše ani silikonu. Montáž pouze na povrch.


OBSLUHA

Použijte nejvyšší stupeň výkonu v případě silné koncentrace kuchyňských výparů. Doporučujeme zapnout odsavač 5 minut před vařením a nechat v provozu dalších 15 minut po dokončení vaření k dokonalému odstranění pachů a výparů. Niže jsou popsány tři způsoby fungování.

VYPÍNAČE

Odsavač má 3 vypínače, které se nacházejí na každé straně. Vypínače jsou dostupné, když je přední teleskopická část odsavače vysunuta. Teleskopický odsavač má koncový spínač. Vždy, když vysunete přední teleskopický panel, odsavač začne fungovat v předchozím nastavení.



1. 0 – Vypnutý odsavač.
I – rychlost odsávání 1.
↓ – přepnete na otáčky motoru II nebo otáčky motoru III.
2. II – rychlost odsávání 2 (když vypínač 1 je v pozici ↓).
III – rychlost odsávání 3 (když vypínač 1 je v pozici ↓).
3. O /  – světlo ON / OFF.

Tlačítko označené jako  , slouží k zapnutí nebo vypnutí světla. Osvětlení odsavače funguje nezávisle na odsávání.





Stisknutím tlačítka  espuštíte odsávání.

Když teleskopický přední panel vrátíte do zasunuté pozice, automaticky se vypne odsávání i osvětlení.

Pokud je vypínač světla a odsavače již v pozici zapnuto, oba začnou fungovat ihned po vytažení předního panelu.






TLAČÍTKA



-  – Provoz zapnuto / vypnuto. Po stisknutí tlačítka začne odsavač pracovat s rychlostí 1.
-  – Stisknutím tlačítka Rychlost 2, spustíte motor s rychlostí 2.
-  – Stisknutím tlačítka Rychlost 3, spustíte motor s rychlostí 3.
-  – Stisknutím tlačítka Světlo ZAPNETE světlo. Opětovným stisknutím světlo Vypnete.

Dotykové ovládací prvky



-  – Stiskněte tlačítko Zapnuto /Vypnuto a můžete začít volit rychlosti.
-  – Stisknutím tlačítka Rychlost 1, spustíte motor s rychlostí 1.
-  – Stisknutím tlačítka Rychlost 2, spustíte motor s rychlostí 2.
-  – Stisknutím tlačítka Rychlost 3, spustíte motor s rychlostí 3.
-  – Stisknutím tlačítka Světlo ZAPNETE světlo. Opětovným stisknutím světlo Vypnete.

ÚDRŽBA

POZOR! Před zahájením jakékoliv údržby odpojte digestoř od elektrické sítě vypnutím u konektoru a vyjmutím pojistky konektoru.

Nebo je-li spotřebič připojen pomocí zástrčky a zásuvky, je nutné zástrčku ze zásuvky vytáhnout.

Čištění

Vnitřek i vnějšek digestoře je třeba pravidelně čistit (přínejmenším stejně často jako provádíte údržbu tukového filtru). K čištění používejte hadřík navlhčený neutrálním tekutým čistícím přípravkem. Nepoužívejte brusné přípravky.

NEPOUŽÍVEJTE LÍH!

VAROVÁNÍ: Nedodržení základních pokynů k čištění digestoře a výměnu filtrů může způsobit vznik požáru. Proto vám doporučujeme tyto pokyny dodržovat. Výrobce odmítá veškerou odpovědnost za případná poškození motoru nebo škody způsobené požárem související s nevhodnou údržbou nebo nedodržením výše uvedených bezpečnostních doporučení.

Filtry

Kovový tukový filtr zachytává částice mastnoty z vaření. Tukový filtr je třeba čistit jednou za měsíc pomocí neagresivních čistících přípravků, a to ručně nebo v myčce nádobí, která musí být nastavena na nízkou teplotu a krátký cyklus. Při mytí v myčce se může tukový filtr odbarvit, ale nemá to vliv na jeho filtrační výkon. Tukový filtr vyjmete vytážením rukojeti k uvolnění pružiny.

Filtr s aktivním uhlím (pouze provedení pro filtraci) pohlcuje nepříjemné zápachy vznikající při vaření. K nasycení filtru s aktivním uhlím dochází po delším používání, v závislosti na typu vaření, a pravidelnosti čištění tukového filtru. V každém případě je nutné kazetu vyměňovat nejméně jednou za čtyři měsíce. Filtr s aktivním uhlím se NESMÍ mýt nebo regenerovat.

Výměna světel

Digestoř je osazena systémem osvětlení založeným na technologii LED. LED diody zaručují optimální osvětlení, trvající až 10krát déle než tradiční světla a umožňují ušetřit 90 % elektrické energie.

Pozor!

! Pro výměny se obraťte na servisní službu.

Tipy pro úsporu elektrické energie

- 1) Když začnete vařit, zapněte digestoř na minimální výkon s cílem omezit vlhkost a odstranit zápach z vaření
- 2) Zvyšte výkon digestoře pouze tehdy, když to vyžaduje množství výparů
- 3) Udržujte filtr (filtry) digestoře v čistotě, abyste optimalizovali účinnost zachycování tuků a zápachů.

Bitte befolgen Sie strikt die Anweisungen aus diesem Handbuch. Der Hersteller übernimmt keine Haftung für eventuelle Unannehmlichkeiten, Schäden oder Brand, die aufgrund der Nichtbeachtung der Anweisungen in diesem Handbuch entstehen. Die Dunstabzugshaube ist für die Absaugung von Rauch und Dampf während des Kochens. Sie ist nur für den Gebrauch im Haushalt bestimmt.

Das Aussehen der Dunstabzugshaube kann von den Zeichnungen in diesem Handbuch abweichen. Ungeachtet dessen bleiben die Bedienungsanleitung, Wartung und Installation unverändert.

- ! Bewahren Sie dieses Handbuch auf, damit Sie es jederzeit erneut lesen können. Falls Sie das Gerät einem neuen Besitzer übergeben, sorgen Sie bitte dafür, dass er das Handbuch erhält.
- ! Lesen Sie dieses Handbuch sorgfältig durch, da es wichtige Sicherheitshinweise sowie Informationen zur Installation und zum Gebrauch enthält.
- ! Führen Sie keine elektrischen oder mechanischen Eingriffe bzw. Einstellungen am Gerät oder am Abluftschlauch durch.
- ! Überprüfen Sie vor dem Installieren des Geräts, ob alle Komponenten unbeschädigt sind. Falls Sie feststellen, dass eine Komponente beschädigt ist, wenden Sie sich an Ihre Händler und installieren Sie das Gerät nicht.

Bemerkung: Die mit dem Symbol (*) gekennzeichneten Elemente sind zusätzliches Zubehör, das nur bei einigen Modellen vorhanden ist oder als zusätzliches Zubehör erhältlich sind und nicht im Lieferumfang des Geräts enthalten sind.



ACHTUNG!

HINWEIS! Schließen Sie das Gerät erst dann an das Stromnetz an, nachdem die Installation vollständig abgeschlossen ist. Bevor Sie die Dunstabzugshaube reinigen oder warten, trennen Sie sie vom Stromnetz, indem Sie den Stecker des Anschlusskabels aus der Steckdose ziehen oder die Hauptsicherung abschalten.

Tragen Sie bei Installations- oder Wartungsarbeiten immer Schutzhandschuhe.

Das Gerät ist nicht zum Gebrauch durch Personen (einschließlich Kindern) mit verminderten physischen, sensorischen oder geistigen Fähigkeiten oder mangelnden Erfahrungen bzw. Kenntnissen bestimmt, ausgenommen sie bedienen das Gerät unter entsprechender Aufsicht oder berücksichtigen die Anweisungen von einer für ihre Sicherheit verantwortlichen Person.

Das Gerät ist für den Gebrauch durch Erwachsene bestimmt. Erlauben Sie kleinen Kindern nicht, mit dem Gerät zu spielen.

Das Gerät ist für den Gebrauch durch Erwachsene bestimmt. Erlauben Sie Kindern nicht, mit den Bedienelementen des Geräts oder mit dem Gerät selbst zu spielen.

Gebrauchen Sie die Dunstabzugshaube niemals ohne das montierte Gitter!

Verwenden Sie die Haube NIEMALS als Trag- oder Stützfläche, es sei denn, dies ist ausdrücklich erlaubt.

Wenn im Raum, in dem die Dunstabzugshaube installiert ist, auch andere verwendet werden, in denen Erdgas oder andere Brennstoffe verbrannt werden, muss der Raum ausreichend belüftet sein.

Das System zum Absaugen von Dämpfen aus diesem Gerät darf nicht an ein vorhandenes Lüftungssystem angeschlossen werden, das bereits zu anderen Zwecken verwendet wird, z. B. für die Ableitung von Gasen, die bei der Verbrennung von Gas oder anderen Brennstoffen entstehen.

Das Flammbieren bzw. die Verwendung von offenem Feuer direkt unter der Dunstabzugshaube ist strengstens verboten.

Die Verwendung von offenem Feuer kann die Filter beschädigen und ein Brandrisiko verursachen, deswegen sollten Sie offenes Feuer unter allen Umständen vermeiden.

Achten Sie beim Frittieren darauf, dass sich das Öl nicht überhitzt und sich entzündet. Die zugänglichen Teile der Dunstabzugshaube können sich beim Betrieb des unter der Haube befindlichen Kochgeräts stark erhitzen.

Hinsichtlich der technischen und Sicherheitsmaßnahmen für die die Ableitung von Dämpfen ist es wichtig, die von den örtlichen Behörden festgelegten Regeln strikt einzuhalten.

Das Gerät sollte regelmäßig von innen und außen gereinigt werden (MINDESTENS EINMAL IM MONAT).


Gebrauchen Sie das Gerät ausschließlich zu dem in diesem Handbuch angeführten Zweck. Falls Sie die Anweisungen zur Reinigung von Dunstabzugshauben und Filtern aus diesem Handbuch nicht befolgen, kann es zu Brandgefahr kommen.

Verwenden Sie die Dunstabzugshaube nicht ohne das entsprechend eingebaute Leuchtmittel, da sonst die Gefahr eines Stromschlags besteht.

Der Hersteller übernimmt keine Haftung für eventuelle Fehler, Schäden oder Brände, die aufgrund der Nichtbeachtung der Anweisungen in diesem Handbuch entstehen.

Das Gerät ist in Einklang mit der europäischen Richtlinie 2002/96/EG über die Entsorgung von Elektrik- und Elektronikaltgeräten gekennzeichnet. Durch vorschriftsmäßige Entsorgung des Geräts tragen Sie zur Vermeidung von eventuellen schädlichen Einflüssen auf die Umwelt und Gesundheit der Menschen bei, die bei einer unvorschriftsmäßigen Entsorgung des ausgedienten Geräts entstehen würden.



Das Symbol  auf dem Produkt oder in der Begleitdokumentation weist darauf hin, dass das Gerät nicht als normaler Haushaltsabfall zu behandeln ist, sondern an einer geeigneten Sammelstelle für das Recycling von Elektro- und Elektronikaltgeräten abgegeben werden muss.

Entsorgen Sie das Gerät gemäß den örtlichen Umweltschutzbestimmungen für die Entsorgung von Abfällen.

Wenden Sie sich für weitere detaillierte Informationen zum Umbau, Sammeln und zur Wiederverwertung dieses Produkts an die zuständige Abteilung Ihrer örtlichen Behörden, an den örtlichen Entsorgungsdienst oder an den Händler, bei dem Sie dieses Produkt gekauft haben.

Das Gerät wurde gemäß folgenden Normen bzw. Vorschriften entwickelt, getestet und hergestellt.

- Sicherheit EN/IEC 60335-1; EN/IEC 60335-2-31, EN/IEC 62233.
- Betriebseffizienz: EN/IEC 61591; ISO 5167-1; ISO 5167-3; ISO 5168; EN/IEC 60704-1; EN/IEC 60704-2-13; ISO 3741; EN 50564; IEC 62301.
- EMC (elektromagnetische Verträglichkeit): EN 55014-1; CISPR 14-1; EN 55014-2; CISPR 14-2; EN/IEC 61000-3-2; EN/IEC 61000-3-3.

Empfehlungen zum richtigen Gebrauch, der die Umweltbelastung reduziert: Schalten Sie die Dunstabzugshaube auf die Mindestgeschwindigkeit, sobald Sie mit dem Kochen beginnen. Lassen Sie die Dunstabzugshaube nach Beendigung des Kochvorgangs noch ein paar Minuten laufen. Erhöhen Sie die Lüftergeschwindigkeit nur bei starker Rauch- und Dampfentwicklung; verwenden Sie hohe Lüftergeschwindigkeit nur in extremen Fällen. Ersetzen Sie bei Bedarf die den Kohlefilter, um eine gute Wirksamkeit bei der Beseitigung von unangenehmen Gerüchen zu gewährleisten. Reinigen Sie bei Bedarf den Fettfilter, um einen guten Wirkungsgrad zu erhalten. Verwenden Sie den in diesem Handbuch angeführten Abluftschlauch mit maximalem Durchmesser, da dies optimal ist und den Geräuschpegel reduziert.

Zusätzliche Spezifikationen für die Installation:

Verwenden Sie bei der Installation nur die Befestigungsschrauben, die dem Gerät beigelegt sind. Falls die Schrauben nicht beigelegt sind, kaufen Sie die entsprechenden Schrauben. Verwenden Sie nur die im Handbuch angeführten Schrauben.

Wenden Sie sich im Zweifelsfall an einen autorisierten Kundendienst, an das Kundendienstcenter oder an eine andere entsprechend qualifizierte Person.

HINWEIS! Falls Sie die Schrauben oder die Montageteile nicht gemäß den Anweisungen aus diesem Handbuch installieren, besteht die Gefahr eines Stromschlags.

GEBRAUCH

Diese Dunstabzugshaube ist so konstruiert, dass sie entweder zum Abluft- oder Filterbetrieb verwendet werden kann.



Abluftbetrieb

Bei dieser Variante werden die Dämpfe über einen speziellen Abluftschlauch, der mit einem Anschlussflansch am oberen Teil der Haube verbunden wird, ins Freie abgeleitet.

Achtung! Der Abluftschlauch ist nicht beigelegt und muss separat gekauft werden. Der Durchmesser des Abluftschlauchs sollte gleich groß sein wie der Durchmesser des Anschlussflansches.

Im waagerechten Bereich muss der Schlauch leicht nach oben (ca. 10 °) gebogen sein, damit der Austritt der Luft aus dem Raum nach außen erleichtert wird.

Achtung! Falls die Dunstabzugshaube mit Kohlefiltern ausgestattet ist, müssen diese entfernt werden.

Verwenden Sie für die Verbindung der Haube mit der Abluftöffnung einen Schlauch dessen Durchmesser dem Durchmesser der Austrittsöffnung an der Haube entspricht (Anschlussflansch).

Falls der Durchmesser des Abluftschlauchs oder die Wandöffnung kleiner ist, ist die Saugkraft geringer und die Betriebsgeräusche sind wesentlich lauter.

Für solche Fälle übernimmt der Hersteller keine Haftung.

- ! Der Abluftschlauch soll so kurz wie möglich sein.
- ! Sorgen Sie beim Einsetzen des Abluftschlauchs dafür, dass der Schlauch so wenig wie möglich geknickt wird. Der maximale Knickwinkel beträgt 90°.
- ! Vermeiden Sie größere Abweichungen vom Durchmesser des Abluftschlauchs.
- ! Die Innenfläche des Abluftschlauchs sollte so glatt wie möglich sein.
- ! Das Material des Abluftschlauchs muss die entsprechenden Zertifikate besitzen.



Umluftbetrieb

Für diese Variante benötigen Sie einen Kohlefilter, den Sie im Einzelhandel für Haushaltsgeräte kaufen können.

Der Filter entfernt Fett und Gerüche aus der eingesaugten Luft; die gereinigte Luft strömt durch die Austrittsöffnungen auf der Oberseite des Geräts wieder in den Raum zurück.

INSTALLATION

Der Mindestabstand zwischen dem Kochfeld und dem untersten Teil der Dunstabzugshaube muss bei Elektrokochfeldern mindestens 50 cm und bei Gas- oder Kombi-Kochfeldern mindestens 65 cm betragen.

Falls in der Installationsanleitung für Gaskochfelder ein größerer Abstand angegeben ist, sollten Sie diesen berücksichtigen.



Anschluss an das Stromnetz

Die Elektroinstallation in Ihrem Haushalt muss den Angaben auf dem Typenschild im Inneren der Haube entsprechen. Falls am Netzkabel des Geräts ein Stecker angeschlossen ist, stecken Sie diesen in eine Steckdose, die den gültigen Vorschriften entspricht, und die so installiert ist, dass der Stecker nach der Installation leicht zugänglich ist. Falls das Netzkabel des Geräts nicht mit einem Stecker ausgestattet ist (direkter Anschluss an das Stromnetz) oder wenn die Steckdose nach der Installation nicht leicht zugänglich ist, muss gemäß den Normen ein zweipoliger Schalter installiert werden, um sicherzustellen, dass das Gerät unter den Bedingungen der Überspannungskategorie III im Einklang mit den Installationsanweisungen eine vollständige Trennung vom Stromnetz gewährleistet.

Warnung Bevor Sie die Dunstabzugshaube an das Stromnetz anschließen und deren Betrieb überprüfen, sollten Sie sich immer vergewissern, dass das Netzkabel richtig angeschlossen ist. .

Die Dunstabzugshaube ist mit einem speziellen Anschlusskabel ausgestattet. Falls dieses beschädigt ist, fordern Sie bitte ein neues Anschlusskabel vom Kundendienst an.

Art der Aufstellung

Das Gerät ist sehr schwer. Bei der Handhabung und Installation der Dunstabzugshaube sollten mindestens zwei Personen zusammenarbeiten. Vor der Installation:

- Prüfen Sie, ob das gekaufte Produkt dem ausgewählten Installationsbereich entspricht.
- Entfernen Sie den Kohlefilter (*), falls dieser beigelegt ist (siehe entsprechenden Absatz im Handbuch). Installieren Sie den Kohlefilter nur, wenn Sie das Gerät im Umluftbetrieb verwenden.
- Prüfen Sie, ob sich im Inneren der Dunstabzugshaube Materialien oder Gegenstände befinden (die eventuell beim Transport herausgefallen sind, z. B. Schraubenpackungen (*), Garantiekarte (*) usw.), und entfernen Sie diese.
- Wenn möglich, trennen Sie den Standherd vom Stromnetz bzw. bewegen Sie den Einbauherd in die Nische zwischen die Küchenelemente, um den Zugang zur Wand bzw. zur Decke zu erleichtern. Falls dies nicht möglich sein sollte, legen Sie eine dicke Schutzabdeckung über das Kochfeld oder den Herd, um ihn vor Beschädigung und Fremdkörpern

zu schützen. Wählen Sie zur Montage des Geräts eine ebene Unterlage aus. Legen Sie eine Schutzdecke auf die Unterlage, auf der Sie alle Teile der Dunstabzugshaube und alle Befestigungsteile montieren.

- Überprüfen Sie außerdem, ob sich eine Steckdose in der Nähe des Aufstellungsortes der Dunstabzugshaube befindet (welcher nach dem Einbau der Dunstabzugshaube leicht zugänglich ist) und ob eine Steckdose zum Anschluss des Geräts und eine Abluftöffnung für den Abluftschlauch vorhanden ist.
- Führen Sie alle notwendigen Bauarbeiten (z.B. Installation einer Steckdose und/oder Öffnung für den Abluftschlauch) durch.

Zur Befestigung der Dunstabzugshaube an die Wand bzw. an die Decke sind entsprechende Dübel beigelegt. Trotzdem muss ein entsprechend befähigter Fachmann die Eignung der Materialien hinsichtlich der Beschaffenheit der Wand bzw. der Decke überprüfen. Die Wand bzw. die Decke muss eine ausreichende Festigkeit besitzen, um das Gewicht der Dunstabzugshaube auszuhalten. Versuchen Sie nicht, das Gerät an der Wand bzw. bündig an einer gefliesten Wand mit Fugenmasse, Gips oder Silikonkitt zu befestigen. Das Gerät ist nur für die Aufputzmontage vorgesehen.

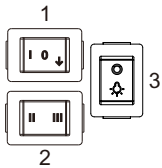
BEDIENUNG

Verwenden Sie hohe Lüftergeschwindigkeiten nur bei hohen Dampfkonzentrationen, die während des Kochens entstehen. Es wird empfohlen, die Dunstabzugshaube 5 Minuten vor dem Kochen einzuschalten, während des Kochens laufen zu lassen und nach Beendigung des Kochvorgangs noch etwa 15 Minuten laufen zu lassen. In der Folge sind drei Betriebsarten beschrieben.

KIPPSCHALTER

Die Dunstabzugshaube wird mit drei Schaltern eingestellt, die sich an der Seite des Geräts befinden. Die Schalter werden sichtbar, sobald die Frontplatte herausgezogen wird.

Ausziehbare Dunstabzugshaube mit Begrenzungsschalter. Jedes Mal, wenn die Frontplatte herausgezogen wird, schaltet sich der Lüfter mit den zuletzt eingestellten Einstellungen ein.



1. 0 – Dunstabzugshaube ausschalten.
I – Betrieb auf Stufe 1.
↓ – Schalter in diese Position stellen, um die Leistungsstufe 2 oder 3 zu ermöglichen.
2. II – Betrieb auf Stufe 2 (wenn der Schalter 1 in der Position ↓ steht).
III – Betrieb auf Stufe 3 (wenn der Schalter 1 in der Position ↓ steht).
3. 0 / ⚡ – Ein-/Ausschalten der Beleuchtung.

Mit der Taste mit dem Symbol ⚡ wird die Beleuchtung ein- bzw. ausgeschaltet. Die Beleuchtung ist nicht mit dem Betrieb des Lüfters verbunden. Durch Drücken der Taste ⚡ wird der Lüfter eingeschaltet.

Sobald die ausziehbare Frontplatte geschlossen wird, schaltet der Begrenzungsschalter den Lüfter und die Beleuchtung aus. Wenn der Lüfter und der Beleuchtungsschalter bereits eingeschaltet sind, beginnt der Lüfter mit dem Betrieb und die Beleuchtung wird eingeschaltet, sobald die Frontplatte herausgezogen wird.

BEDIENUNG MIT SENSORTASTEN



- ① – Einschalten/Ausschalten der Dunstabzugshaube Bei Betätigung der Taste schaltet sich der Lüfter auf Stufe 1 ein.
- ☼ – Drücken Sie die Taste für die Stufe 2, um die Geschwindigkeit des Lüfters auf die Stufe 2 einzustellen.
- ☼ – Drücken Sie die Taste für die Stufe 3, um die Geschwindigkeit des Lüfters auf die Stufe 3 einzustellen.
- ⚡ – Schalten Sie die Beleuchtung durch Drücken dieser Taste ein. Drücken Sie noch einmal diese Taste, um die Beleuchtung auszuschalten.

STEUERUNG DURCH BERÜHRUNG



① – Drücken Sie die EIN/AUS-Sensortaste, um die Lüftergeschwindigkeit einzustellen.

☰ – Drücken Sie die Taste für die Stufe 1, um die Geschwindigkeit des Lüfters auf die Stufe 1 einzustellen.

☷ – Drücken Sie die Taste für die Stufe 2, um die Geschwindigkeit des Lüfters auf die Stufe 2 einzustellen.

☹ – Drücken Sie die Taste für die Stufe 3, um die Geschwindigkeit des Lüfters auf die Stufe 3 einzustellen.

⦿ – Drücken Sie diese Sensortaste, um die Beleuchtung einzuschalten. Drücken Sie noch einmal diese Taste, um die Beleuchtung auszuschalten.

INSTANDHALTUNG

ACHTUNG! Trennen Sie die Haube vor Beginn von Wartungsarbeiten oder Eingriffen vom Stromnetz, indem Sie sie am Anschluss ausschalten oder die entsprechende Sicherung abschalten.

Falls das Gerät an eine Steckdose angeschlossen ist, ziehen Sie den Stecker des Anschlusskabels aus der Steckdose.

Reinigung

Die Dunstabzugshaube sollte, sowohl von innen als auch von außen, regelmäßig gereinigt werden (mindestens so oft wie der Fettfilter). Reinigen Sie das Gerät mit einem weichen Tuch, das mit einem neutralen Reinigungsmittel angefeuchtet ist. Verwenden Sie zum Reinigen des Geräts keine groben bzw. scheuernden Reinigungsmittel. **VERWENDEN SIE ZUM REINIGEN DES GERÄTS KEINEN ALKOHOL!**

HINWEIS: Falls Sie die grundlegenden Empfehlungen zum Reinigen der Dunstabzugshaube und zum Austausch der Filter ignorieren, kann es zu Brandgefahr kommen. Daher empfehlen wir Ihnen, diese Anweisungen zu befolgen. Der Hersteller übernimmt keine Haftung für Schäden am Motor oder Schäden, die durch einen Brand verursacht werden, wenn solche Schäden auf unzureichende Wartung oder Nichteinhaltung der obigen Sicherheitsempfehlungen zurückzuführen sind.

Filter

Der Fettfilter aus Metall fängt Fettpartikel ein, die beim Kochen freigesetzt werden. Der Fettfilter sollte einmal im Monat mit nicht aggressiven Reinigungsmitteln gereinigt werden, entweder manuell oder in der Spülmaschine mit einem kurzen Programm und bei niedriger Temperatur. Wenn Sie den Fettfilter in der Geschirrspülmaschine reinigen, kann er sich leicht entfärben, was jedoch seine Filtrierkapazität nicht beeinflusst. Um den Fettfilter zu entfernen, ziehen Sie am Federhebel.

Der Kohlefilter (nur bei der Umluftvariante) saugt unangenehme Gerüche auf, die während des Kochens entstehen. Nach längerem Gebrauch tritt eine Sättigung des Kohlefilters auf - je nach Kochmethode und Häufigkeit der Reinigung des Fettfilters. Jedenfalls sollte die Kohlefilterpatrone alle vier Monate ausgetauscht werden. Der Kohlefilter darf NICHT gewaschen oder regeneriert werden.

Austausch des Leuchtmittels

Die Dunstabzugshaube ist mit einem LED-Beleuchtungssystem ausgestattet. Die LED-Leuchtmittel bieten eine optimale Ausleuchtung, ihre Lebensdauer ist 10-mal höher als die Lebensdauer von normalen Leuchtmitteln, während sie gleichzeitig 90% Energieeinsparungen ermöglichen.

Achtung!

! Um die Leds mit neuen zu ersetzen, setzen Sie sich bitte mit dem Kundendienst in Verbindung.

Tipps zum Energiesparen

- 1) Schalten Sie, sobald Sie mit dem Kochen beginnen, die Dunstabzugshaube mit der niedrigsten Geschwindigkeit ein, um die Feuchtigkeit zu kontrollieren und die beim Kochen entstehenden Gerüche abzuleiten.
- 2) Erhöhen Sie die Lüftergeschwindigkeit nur, wenn es zu einem hohen Dampfaufkommen kommt.
- 3) Um eine optimale Wirkung bei der Beseitigung von Fett und Gerüchen zu erreichen, halten Sie den Filter immer sauber.

Følg brugsanvisningen nøje. Producenten påtager sit intet ansvar for fejl, skader eller brand, som skyldes manglende overholdelse af instruktionerne i brugsanvisningen. Emhætten er beregnet til udsugning af mados og damp fra køkkenet i private husholdninger.

Emhætten kan se anderledes ud end illustreret i brugsanvisningen. Instruktionerne vedrørende montering, brug og vedligehold er dog de samme.

- ! Gem brugsanvisningen til eventuel senere brug. Hvis du sælger eller overdrager emhætten til andre, skal brugsanvisningen følge med.
- ! Læs brugsanvisningen grundigt. Den indeholder vigtige oplysninger om installation, brug og sikkerhed.
- ! Du må ikke foretage elektriske eller mekaniske ændringer på apparatet og på aftrækskanalen.
- ! Før du installerer produktet, skal du kontrollere, at ingen af delene er beskadigede. Hvis de er, skal du kontakte forhandleren og vente med at installere produktet.

Bemærk! Dele markeret med * er ekstraudstyr, som kun følger med visse modeller, eller som skal købes separat.



FORSIGTIG:

ADVARSEL: Apparatet må ikke sluttes til lysnettet, før det er færdigmonteret.

Afbryd apparatet fra lysnettet, inden du rengør eller vedligeholder det.

Brug altid arbejdshandsker i forbindelse med montering og vedligehold.

Dette apparat må ikke bruges af personer (herunder børn) med nedsatte fysiske, sensoriske eller mentale evner eller af personer med manglende erfaring og kendskab, medmindre de er under opsyn eller blevet instrueret i at bruge apparatet af en person, der er ansvarlig for deres sikkerhed.

Apparatet er beregnet til at blive betjent af voksne. Sørg for, at børn ikke leger med apparatet.

Apparatet skal betjenes af voksne. Lad ikke børn lege med betjeningspanelet eller apparatet.

Apparatet må ikke bruges, medmindre det er monteret korrekt.

Emhætten må aldrig bruges som afsætnings- eller støtteflade, medmindre det udtrykkeligt fremgår af brugsanvisningen.

Sørg for tilstrækkelig udluftning i køkkenet, hvis der anvendes apparater, som drives af gas eller brændstof.

Apparatet må ikke sluttes til eksisterende aftrækskanaler, der bruges som skorsten for gas-, brændstof eller brændefyrede apparater.

Det er forbudt at flambe mad under emhætten.

Brug af åben ild under emhætten kan medføre beskadigelse af eller brand i filtrene og skal derfor undgås.

Pas på, at madolie ikke overophedes og antændes under madlavningen. Emhætten kan blive meget varm på undersiden i forbindelse med madlavning.

Overhold de gældende nationale regler for montering af apparatet for at sikre en effektiv og sikker bortledning af røg og em fra madlavningen.

Emhætten skal rengøres regelmæssigt og mindst en gang om måneden både udvendigt og indvendigt.

Dette skal udføres i henhold til instruktionerne i brugsanvisningen. Hvis rengøringsinstruktionerne for emhætten og filtrene ikke overholdes, kan det medføre risiko for brand.


For at undgå elektrisk stød må emhætten ikke bruges eller efterlades, uden at pæren er monteret korrekt.

Vi påtager os intet ansvar for fejl, skader på apparatet og brand som følge af, at instruktionerne i brugsanvisningen ikke følges.

Dette udstyr er mærket i henhold til EU direktiv 2002/96/EØF om Affald fra elektriske og elektroniske produkter (WEEE).

Bortskaf produktet korrekt, så du kan være med til at forebygge skader på miljøet og menneskers sundhed.



Symbol ,  som findes på produktet eller i den medfølgende dokumentation, angiver, at produktet ikke må bortskaffes sammen med almindeligt husholdningsaffald. Det skal derimod afleveres på en miljøstation, som er godkendt til håndtering af

elektrisk og elektronisk udstyr. Bortskaffelse skal ske i overensstemmelse med lokale standarder for affaldsbortskaffelse. Hvis du ønsker yderligere oplysninger om, hvordan apparatet genvindes, kan du henvende dig hos kommunen, en genbrugsstation eller forretningen, hvor du købte apparatet.

Apparatet er designet, testet og fremstillet i henhold til:

- Sikkerhed: EN/IEC 60335-1; EN/IEC 60335-2-31, EN/IEC 62233.
- Ydelse: EN/IEC 61591; ISO 5167-1; ISO 5167-3; ISO 5168; EN/IEC 60704-1; EN/IEC 60704-2-13; ISO 3741; EN 50564; IEC 62301.
- EMC: EN 55014-1; CISPR 14-1; EN 55014-2; CISPR 14-2; EN/IEC 61000-3-2; EN/IEC 61000-3-3.

Forslag til korrekt brug for at reducere miljøbelastningen: Tænd for emhætten på den laveste hastighed, når du starter tilberedningen, og lad den køre nogle få minutter efter endt tilberedning. Indstil kun emhætten på højere hastigheder, hvis der udvikles megen mados eller damp. Brug kun boost-hastigheder i ekstreme situationer. Udskift kulfilteret/kulfiltrene, når det er nødvendigt, for at emhætten stadig kan fjerne lugt fra luften. Udskift kulfilteret/kulfiltrene, når det er nødvendigt, for at emhætten stadig kan fjerne fedt fra luften. Brug en aftrækskanal med den maksimale diameter for at optimere effektiviteten og minimere støjen.

Yderligere installationsoplysninger:

Brug kun de medfølgende skruer til installationen, eller køb egnede skruer, hvis der ikke medfølger skruer til emhætten. Brug skruer med den korrekte længde som beskrevet i installationsanvisningen.

Hvis du er i tvivl, skal du rådføre dig med en fagmand.

ADVARSEL: Hvis skruer og beslag ikke monteres korrekt i henhold til anvisningerne, kan det medføre risiko for elektrisk stød.

Brug

Emhætten kan enten bruges med aftræk eller med filter.



Med aftræk

På denne model ledes røg ud af bygningen ved hjælp af røret, som skal forbindes med studsens øverst på emhætten.

Vigtigt! Aftræksrøret medfølger ikke og skal købes separat. Aftræksrørets diameter skal passe til diameteren på studsens.

Hvis røret i princippet skal føres vandret, skal det i stedet have en hældning på cirka 10° opad, så luften lettere kan føres ud i det fri.

Vigtigt! Hvis emhætten er forsynet med et aktivt kul-filter, skal dette fjernes.

Forbind emhætten og aftrækskullet i væggen med en slange eller et rør med en tilsvarende diameter.

Hvis du bruger rør eller slanger med en mindre diameter, kan det forringe emhættens sugeevne og øge støjniveauet.

Producenten påtager sig intet ansvar i den forbindelse.

- ! Aftrækskanalen skal være så kort som muligt.
- ! Aftrækskanalen skal have så få bøjninger som muligt (maks. vinkel: 90°).
- ! Undgå væsentlige ændringer i aftrækskanalen.
- ! Aftrækskanalens inderside skal være så glat og jævn som muligt.
- ! Aftrækskanalen skal være udført i et egnet materiale.



Model med filter

Der skal monteres et aktiv kul-filter. Dette kan købes hos din forhandler.

Filteret fjerner fedt og lugt fra luften, før luften cirkuleres tilbage i rummet gennem emhættens overside.

INSTALLATION

Afstanden mellem kogepladen og emhættens laveste del skal være mindst 50 cm for elkogeplader og 65 cm for gaskogeplader.

Hvis monteringsanvisningerne for gaskogepladen angiver en større minimumsafstand, skal denne overholdes.



Elektrisk tilslutning

Emhætten skal tilsluttes en strømforsyning, som stemmer overens med oplysningerne på typeskiltet indvendigt i emhætten. Hvis emhætten er forsynet med en stikprop, skal denne sættes i en godkendt stikkontakt og altid være tilgængelig. Hvis emhætten ikke er forsynet med en stikprop (direkte tilslutning), eller hvis stikproppen ikke er tilgængelig efter tilslutning, skal emhætten tilsluttes af en autoriseret elektriker i henhold til de gældende regler.

Advarsel! Før strømmen slås til, og emhættens funktion efterprøves, skal du altid kontrollere, at ledningen er samlet og tilsluttet korrekt.

Emhætten er forsynet med en særlig ledning. Hvis den bliver beskadiget, skal den erstattes med en ny med samme specifikationer.

Montering

Apparatet er meget tungt. Vær mindst to personer om at udføre installationen. Før installationen:

- Kontroller, at apparatet passer i størrelsen til installationsstedet.
- Fjern aktiv kul-filteret (hvis det medfølger og er installeret). Aktiv kul-filtre skal kun bruges, hvis emhætten skal bruges til recirkulation.
- Kontroller, om der er andet (emballage, brugsanvisninger, pakker med monteringsdele) i apparatet, og tag dem i givet fald ud.
- Fjern om muligt eventuelle hvidevarer foran eller under monteringsstedet, så I nemmere kan komme til. Alternativt skal du lægge et tæppe eller lignende over bordplade og kogeplade for at beskytte dem mod snavs fra installationen. Saml apparatet på en plan flade. Læg et tæppe ud, og anbring emhætten og alle dele på det.
- Kontroller, at der er en ledig stikkontakt i nærheden af monteringsstedet, og at det er muligt at slutte emhættens aftræk til en egnet aftrækskanal (kun ved aftræk).
- Foretag alt nødvendigt håndværkerarbejde (f.eks. etablering af stikkontakt og gennemføring af aftrækskanal).

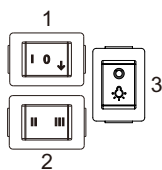
Der medfølger rawlplugs til sikker montering i de fleste typer lofter og vægge. Hvis du er i tvivl, bør du rådføre dig med en fagmand for at sikre, at emhætten monteres forsvarligt. Væggen eller loftet skal være stærk nok til at bære emhættens vægt. Emhætten må ikke monteres på væggen med silikone, murlim eller spartelmasse. Den er ikke beregnet til indbygning i væggen.

BETJENING

Brug høj udsugningshastighed, hvis der er megen røg i køkkenet. Det anbefales, at emhætten tændes 5 minutter før madlavning, er tændt under madlavning og først slukkes cirka 15 minutter efter endt madlavning. Der er tre måder at betjene emhætten på.

SKYDEKNAP

Emhætten styres af tre kontakter, som er placeret på hver side. De er synlige, når det udtrækelige frontpanel er trukket ud. Udtrækket er forsynet med et stop. Når du trækker emhætten ud, tændes den på det senest valgte hastighedstrin.



- 0 – Sluk for emhætten.
I – Tænd for emhætten på hastighedstrin 1.
↓ – for at skifte til hastighedstrin II og III.
- II – Emhætten kører på hastighedstrin 2 (når knap 1 er i positionen ↓) .
III – Emhætten kører på hastighedstrin 3 (når knap 1 er i positionen ↓) .
- O / ⚙️ – Tænder og slukker for lyset.

Knappen mærket ⚙️ tænder og slukker for lyset. Lyset i emhætten fungerer uafhængigt af emhættens motor. Hvis du trykker på knappen ⚙️, påvirker det ikke emhættens motor.

Når frontpanelet skubbes ind i lukket position, slukker stopkontakten for emhættens motor og lys.

Hvis knapperne til emhættens motor og lys er i tændt position, tændes emhætten og lyset automatisk, når frontpanelet trækkes ud.

BETJENING MED KNAPPER



⓪ – Tænd/sluk for emhætten. Når du trykker på knappen, tændes emhætten på hastighedstrin 1.

⚙️ – Tryk på knappen 2 for at tænde emhætten på hastighedstrin 2.

⚙️ – Tryk på knappen 3 for at tænde emhætten på hastighedstrin 3.

⚙️ – Tryk på knappen med dette symbol for at tænde for lyset. Tryk på knappen igen for at slukke for lyset.

TOUCH-BETJENING



⓪ – Tryk på tænd/sluk-knappen at tænde for apparatet, så du kan vælge hastighedstrin.

⚙️ – Tryk på knappen 1 for at tænde emhætten på hastighedstrin 1.

⚙️ – Tryk på knappen 2 for at tænde emhætten på hastighedstrin 2.

⚙️ – Tryk på knappen 3 for at tænde emhætten på hastighedstrin 3.

⚙️ – Tryk på knappen med dette symbol for at tænde for lyset. Tryk på knappen igen for at slukke for lyset.

Vedligeholdelse

BEMÆRK! Afbryd emhætten fra lysnettet ved at slukke for stikkontakten eller slå relæet fra, før du udfører vedligeholdelsesarbejde på emhætten.

Hvis emhætten er tilsluttet en stikkontakt, skal du afbryde emhætten fra lysnettet ved at trække stikket ud af stikkontakten.

Rengøring

Emhætten skal regelmæssigt rengøres indvendigt og udvendigt (mindst lige så ofte, som du vedligeholder fedtfilterne). Brug en fugtig klud og et mildt rengøringsmiddel. Brug ikke slibende rengøringsmidler. **Brug ikke alkohol.**

ADVARSEL: Hvis du ikke overholder disse grundlæggende anbefalinger for rengøring og udskiftning af filtre, kan det medføre risiko for brand. Du bør derfor overholde disse anbefalinger. Producenten fraskriver sig ethvert ansvar for skader på motoren eller brand som følge af mangelfuld vedligeholdelse og rengøring eller manglende overholdelse af ovenstående sikkerhedsforskrifter.

Filtre

Fedtfilteret af metal opfanger fedtpartiklerne. Fedtfilteret skal rengøres en gang om måneden med milde rengøringsmidler, enten ved vask i hånden eller i opvaskemaskine ved lav temperatur og kort programvarighed. Fedtfilteret kan blive let misfarvet ved vask i opvaskemaskine. Dette påvirker dog ikke filterets kapacitet. Træk i det fjederbelastede udløsergreb for at afmonteret fedtfilteret.

Aktiv kul-filter (kun filterversion) absorberer ubehagelige lugte fra madlavningen. Aktiv kul-filteret mættes efter nogen tids brug, afhængigt af brugsmønstret, og af hvor ofte du rengør fedtfilteret. Det er nødvendigt at udskifte aktiv kul-filteret mindst hver fjerde måned. Aktiv kul-filteret må IKKE vaskes eller genbruges.

Udskiftning af pærer

Emhætten er forsynet med LED-belysning. LED-lyskilderne giver optimal belysning i op til 10 gange så lang tid og sparer samtidigt op til 90% energi i forhold til konventionelle lyskilder.

Advarsel!

! Ved udskiftning bedes man kontakte den tekniske servicetjeneste.

Energispareråd

- 1) Tænd emhætten på laveste hastighed, når du starter med at lave mad, så du fjerner fugt og mados fra køkkenet.
- 2) Brug kun højere hastigheder, når det er nødvendigt i forhold til mængden af mados og damp.
- 3) Hold emhættens filtre rene, så den yder bedst muligt.

Ακολουθήστε προσεκτικά τις οδηγίες που περιγράφονται σε αυτό το εγχειρίδιο. Κάθε ευθύνη για τυχόν δυσχέρειες, ζημιές ή φωτιές που προκλήθηκαν από μη συμμόρφωση με τις οδηγίες του εγχειριδίου απορρίπτεται. Ο απορροφητήρας έχει σχεδιαστεί για την αναρρόφηση αναθυμιάσεων μαγειρέματος και ατμού, και προορίζεται μόνο για οικιακή χρήση.

Ο απορροφητήρας ίσως φαίνεται διαφορετικός από τις εικόνες αυτού του φυλλαδίου. Ωστόσο, οι οδηγίες χρήσης, συντήρησης και εγκατάστασης παραμένουν οι ίδιες.

- ! Είναι σημαντικό να φυλάξετε το εγχειρίδιο ώστε να το συμβουλευέστε ανά πάσα στιγμή. Σε περίπτωση πώλησης, μεταβίβασης ή μετακόμισης, βεβαιωθείτε ότι το φυλλάδιο είναι μαζί με το προϊόν.
- ! Διαβάστε προσεκτικά τις οδηγίες: υπάρχουν βασικές πληροφορίες σχετικά με την εγκατάσταση, τη χρήση και την ασφάλεια.
- ! Μην εκτελείτε ηλεκτρικές ή μηχανικές αλλαγές στο προϊόν ή τους αγωγούς εκκένωσης.
- ! Πριν προχωρήσετε στην εγκατάσταση της συσκευής, βεβαιωθείτε ότι δεν έχουν υποστεί ζημιά τα εξαρτήματα. Διαφορετικά επικοινωνήστε με τον αντιπρόσωπο και μην προχωρήσετε στην εγκατάσταση.

Σημείωση: Τα στοιχεία που σημειώνονται με το σύμβολο "(*)" είναι προαιρετικά εξαρτήματα που παρέχονται μόνο με ορισμένα μοντέλα ή πρόκειται για εξαρτήματα προς αγορά, τα οποία δεν παρέχονται.



ΠΡΟΣΟΧΗ

ΠΡΟΕΙΔΟΠΟΙΗΣΗ! Μην συνδέσετε τη συσκευή στην πρίζα μέχρι να ολοκληρωθεί η εγκατάσταση.

Πριν από οποιαδήποτε εργασία καθαρισμού ή συντήρησης, αποσυνδέστε τον απορροφητήρα από το ρεύμα, βγάζοντας το καλώδιο από την πρίζα ή αποσυνδέοντας τον από το ηλεκτρικό δίκτυο.

Να φοράτε πάντοτε γάντια εργασίας σε κάθε βήμα εγκατάστασης και συντήρησης.

Η συσκευή δεν προορίζεται για χρήση από παιδιά ή άτομα με σωματικές, αισθητηριακές ή ψυχικές διαταραχές, ή άτομα που δεν διαθέτουν εμπειρία ή γνώση, εκτός εάν είναι υπό επίβλεψη ή έχουν εκπαιδευτεί στη χρήση της συσκευής από άτομο υπεύθυνο για την ασφάλειά τους.

Αυτή η συσκευή έχει σχεδιαστεί ώστε να χρησιμοποιείται από ενήλικες, τα παιδιά θα πρέπει να είναι υπό επίβλεψη ώστε να μην παίζουν με τη συσκευή.

Αυτή η συσκευή έχει σχεδιαστεί ώστε να χρησιμοποιείται από ενήλικες. Μην επιτρέπτε στα παιδιά να παραβιάζουν τα χειριστήρια ή να παίζουν με τη συσκευή.

Ποτέ μην χρησιμοποιείτε τον απορροφητήρα εάν δεν είναι σωστά τοποθετημένο το πλέγμα!

Ο απορροφητήρας δεν πρέπει ΠΟΤΕ να χρησιμοποιείται ως επιφάνεια στήριξης, εκτός εάν υπάρχει ειδική σήμανση.

Οι χώροι εγκατάστασης της συσκευής πρέπει να είναι επαρκώς αεριζόμενοι όταν χρησιμοποιείται ο απορροφητήρας κουζίνας μαζί με άλλες συσκευές καύσης αερίου ή άλλων καυσίμων.

Το σύστημα αγωγών για αυτή τη συσκευή δεν πρέπει να συνδέεται με κανένα υπάρχον σύστημα εξαερισμού που χρησιμοποιείται για οποιονδήποτε άλλο σκοπό, όπως η απόρριψη καυσαερίων από συσκευές καύσης αερίου ή άλλων καυσίμων.

Η χρήση ανοιχτής φωτιάς για το μαγείρεμα κάτω από τον απορροφητήρα απαγορεύεται αυστηρά.

Η χρήση ανοιχτής φλόγας είναι επιζήμια για τα φίλτρα και μπορεί να προκαλέσει κίνδυνο πυρκαγιάς, συνεπώς πρέπει να αποφεύγεται σε κάθε περίπτωση.

Το τηγάνισμα πρέπει να γίνει με προσοχή για να βεβαιωθείτε ότι το λάδι δεν υπερθερμαίνεται και δεν αναφλέγεται. Τα προσβάσιμα μέρη του απορροφητήρα ίσως ζεσταθούν κατά τη χρήση με τη συσκευή μαγειρέματος.

Όσον αφορά τα τεχνικά μέτρα και τα μέτρα ασφαλείας που πρέπει να υιοθετηθούν για την αναρρόφηση καπνού, είναι σημαντικό να ακολουθούνται στενά οι κανονισμοί που προβλέπονται από τις τοπικές αρχές.

Ο απορροφητήρας πρέπει να καθαρίζεται τακτικά τόσο εσωτερικά όσο και εξωτερικά (ΤΟΥΛΑΧΙΣΤΟΝ ΑΝΑ ΜΗΝΑ).


(Το παρόν πρέπει να συμπληρώνεται σύμφωνα με τις οδηγίες συντήρησης που παρέχονται σε αυτό το εγχειρίδιο). Εάν δεν ακολουθήσετε τις οδηγίες που παρέχονται σε αυτόν τον οδηγό χρήσης σχετικά με τον καθαρισμό του απορροφητήρα και των φίλτρων, θα υπάρξει κίνδυνος πυρκαγιάς.

Μη χρησιμοποιείτε και μην αφήνετε τον απορροφητήρα χωρίς σωστή τοποθέτηση της λυχνίας λόγω ενδεχόμενου κινδύνου ηλεκτροπληξίας.

Δεν αποδεχόμαστε καμία ευθύνη για τυχόν βλάβες, ζημιές ή φωτιές που προκλήθηκαν στη συσκευή ως αποτέλεσμα της μη τήρησης των οδηγιών που περιλαμβάνονται σε αυτό το εγχειρίδι

Αυτή η συσκευή επισημαίνεται σύμφωνα με την ευρωπαϊκή οδηγία 2002/96/EC για τα Απόβλητα Ειδών Ηλεκτρικού και Ηλεκτρονικού Εξοπλισμού (WEEE). Εξασφαλίζοντας ότι το προϊόν αυτό απορρίπτεται σωστά, θα αποτρέψετε τυχόν αρνητικές συνέπειες για το περιβάλλον και την ανθρώπινη υγεία, οι οποίες θα μπορούσαν να προκληθούν από ακατάλληλο χειρισμό των αποβλήτων αυτού του προϊόντος.



Το σύμβολο  στο προϊόν ή τα συνοδευτικά έγγραφα του προϊόντος υποδηλώνει ότι η συσκευή δεν πρέπει να αντιμετωπίζεται όπως τα οικιακά απορρίμματα. Θα πρέπει να μεταβείτε στο κατάλληλο σημείο συλλογής και ανακύκλωσης ηλεκτρικού και ηλεκτρονικού εξοπλισμού. Η απόρριψη πρέπει να γίνεται σύμφωνα με τους τοπικούς περιβαλλοντικούς κανονισμούς για τη διάθεση των αποβλήτων.

Για περισσότερες πληροφορίες σχετικά με τη διαδικασία συλλογής και ανακύκλωσης του προϊόντος, επικοινωνήστε με το αρμόδιο τμήμα των τοπικών αρχών ή με το τοπικό τμήμα οικιακών απορριμμάτων ή το κατάστημα από το οποίο αγοράσατε αυτό το προϊόν.

Συσκευή σχεδιασμένη, δοκιμασμένη και κατασκευασμένη σύμφωνα με:

- Ασφάλεια: EN/IEC 60335-1; EN/IEC 60335-2-31, EN/IEC 62233.
- Απόδοση: EN/IEC 61591; ISO 5167-1; ISO 5167-3; ISO 5168; EN/IEC 60704-1; EN/IEC 60704-2-13; ISO 3741; EN 50564; IEC 62301.
- EMC: EN 55014-1; CISPR 14-1; EN 55014-2; CISPR 14-2; EN/IEC 61000-3-2; EN/IEC 61000-3-3.

Προτάσεις για σωστή χρήση ώστε να μειώσετε τις περιβαλλοντικές επιπτώσεις: Ανοίξτε τον απορροφητήρα στην ελάχιστη ταχύτητα όταν αρχίσετε το μαγείρεμα και αφήστε τον να λειτουργεί για λίγα λεπτά μετά το τέλος του μαγειρέματος. Αυξήστε την ταχύτητα μόνο σε περίπτωση μεγάλης ποσότητας καπνού και ατμού και χρησιμοποιήστε την ενίσχυση ταχύτητας μόνο σε ακραίες καταστάσεις. Αντικαταστήστε το φίλτρο ή τα φίλτρα άνθρακα όταν είναι απαραίτητο για να διατηρήσετε την καλή απόδοση μείωσης των οσμών. Καθαρίστε τα φίλτρα λίπους όταν είναι απαραίτητο για να διατηρήσετε την καλή απόδοση του φίλτρου λίπους. Χρησιμοποιήστε τη μέγιστη διάμετρο του συστήματος αγωγών που αναφέρεται σε αυτό το εγχειρίδιο για να βελτιστοποιήσετε την απόδοση και να ελαχιστοποιήσετε τον θόρυβο.

Πρόσθετες προδιαγραφές εγκατάστασης:

Χρησιμοποιήστε μόνο τις βίδες στερέωσης που παρέχονται μαζί με το προϊόν για την εγκατάσταση ή, εάν δεν παρέχονται, αγοράστε τον σωστό τύπο βιδών. Χρησιμοποιήστε το σωστό μήκος για τις βίδες όπως προσδιορίζεται στον Οδηγό Εγκατάστασης.

Σε περίπτωση αμφιβολίας, συμβουλευτείτε ένα εξουσιοδοτημένο κέντρο εξυπηρέτησης πελατών ή κάποιον εξειδικευμένο τεχνικό.

ΠΡΟΕΙΔΟΠΟΙΗΣΗ! Εάν δεν εγκαταστήσετε τις βίδες ή τη συσκευή στερέωσης σύμφωνα με αυτές τις οδηγίες, μπορεί να προκληθεί ηλεκτρικός κίνδυνος.

ΧΡΗΣΗ

Ο απορροφητήρας έχει σχεδιαστεί για λειτουργία απορρόφησης ή φιλτραρίσματος.



Λειτουργία απορρόφησης

Σε αυτή την περίπτωση ο καπνός μεταφέρεται έξω από το χώρο μέσω ενός ειδικού σωλήνα συνδεδεμένου με τον δακτύλιο σύνδεσης που βρίσκεται στην κορυφή του απορροφητήρα.

Προσοχή! Ο σωλήνας απορρόφησης δεν παρέχεται και πρέπει να αγοραστεί χωριστά. Η διάμετρος του σωλήνα πρέπει να είναι ίση με τη διάμετρο του δακτυλίου σύνδεσης.

Στις οριζόντιες συνδέσεις, ο σωλήνας απορρόφησης πρέπει να είναι ελαφρώς κεκλιμένος (περίπου 10°) και να κατευθύνεται προς τα πάνω για να απομακρύνει εύκολα τον αέρα από το δωμάτιο προς τα έξω.

Προσοχή! Αν ο απορροφητήρας είναι εφοδιασμένος με φίλτρο ενεργού άνθρακα, τότε πρέπει να αφαιρεθεί.

Συνδέστε τον απορροφητήρα και τις σπές εκκένωσης στον τοίχο με διάμετρο αντίστοιχη με την έξοδο του αέρα (φλάντζα σύνδεσης).

Η χρήση του σωλήνα και των σπών εξόδου στον τοίχο με μικρότερες διαστάσεις θα προκαλέσει μείωση της απόδοσης αναρρόφησης και δραστική αύξηση του θορύβου.

Επομένως, οποιαδήποτε ευθύνη για το ζήτημα απορρίπτεται

! Χρησιμοποιήστε έναν αγωγό ελάχιστου απαραίτητου μήκους

! Χρησιμοποιήστε έναν αγωγό με όσο το δυνατόν λιγότερες γωνίες (μέγιστη γωνία: 90°)

! Αποφύγετε τις δραστικές αλλαγές στην διατομή του αγωγού.

! Χρησιμοποιήστε έναν αγωγό όσο το δυνατόν πιο ομαλό στο εσωτερικό.

! Ο αγωγός πρέπει να είναι κατασκευασμένος από πιστοποιημένο υλικό.



Λειτουργία φίλτρου

Απαιτείται φίλτρο ενεργού άνθρακα και μπορείτε να το προμηθευτείτε από ένα συνηθισμένο κατάστημα λιανικής πώλησης.

Το φίλτρο αφαιρεί το λίπος και τις μυρωδιές από τον εξαγόμενο αέρα πριν τον στείλει πίσω στο δωμάτιο μέσω του ανώτερου πλέγματος εξόδου.

ΕΓΚΑΤΑΣΤΑΣΗ

Η ελάχιστη απόσταση μεταξύ της επιφάνειας στήριξης για τον εξοπλισμό μαγειρέματος στην εστία και το κατώτατο σημείο του απορροφητήρα πρέπει να είναι τουλάχιστον 50 cm για τις ηλεκτρικές κουζίνες και 65 cm για κουζίνες αερίου ή μικτές κουζίνες.

Εάν οι οδηγίες εγκατάστασης για την εστία αερίου καθορίζουν μεγαλύτερη απόσταση, πρέπει να τηρούνται.



Ηλεκτρική σύνδεση

Η τροφοδοσία ρεύματος πρέπει να αντιστοιχεί στην ονομαστική ένδειξη που αναγράφεται στην πινακίδα που βρίσκεται στον απορροφητήρα. Εάν είναι εφοδιασμένος με βύσμα, συνδέστε τον απορροφητήρα σε πρίζα σύμφωνα με τους ισχύοντες κανονισμούς, και βεβαιωθείτε πως θα είναι σε προσεγγιστική περιοχή μετά την εγκατάσταση. Εάν δεν έχει τοποθετηθεί βύσμα (άμεση σύνδεση δικτύου) ή εάν η πρίζα δεν βρίσκεται σε προσβάσιμο σημείο, μετά την εγκατάσταση, τοποθετήστε έναν διακόπτη διπλού πόλου σύμφωνα με τα πρότυπα που εξασφαλίζουν την πλήρη αποσύνδεση δικτύου υπό συνθήκες που αφορούν την κατηγορία III προστασίας από υπερβολική τάση, σύμφωνα με τις οδηγίες εγκατάστασης.

Προειδοποίηση! Πριν επαναλάβετε τη σύνδεση του κυκλώματος του απορροφητήρα με την παροχή ηλεκτρικού ρεύματος και τον έλεγχο της λειτουργίας απόδοσης, βεβαιωθείτε πρώτα ότι το καλώδιο τροφοδοσίας είναι σωστά τοποθετημένο.

Ο απορροφητήρας διαθέτει ειδικό καλώδιο τροφοδοσίας. Αν το καλώδιο είναι κατεστραμμένο, ζητήστε ένα νέο από την Τεχνική Υπηρεσία.

Στήριξη

Πολύ βαριά συσκευή. Ο χειρισμός και η εγκατάσταση του απορροφητήρα πρέπει να γίνει από τουλάχιστον δύο άτομα. Πριν ξεκινήσετε την εγκατάσταση:

- Βεβαιωθείτε ότι το προϊόν που αγοράσατε έχει το κατάλληλο μέγεθος για την επιλεγμένη περιοχή εγκατάστασης.
- Αφαιρέστε το φίλτρο άνθρακα (*) αν υπάρχει (βλ. επίσης σχετική παράγραφο). Τοποθετήστε το ξανά αργότερα μόνο εάν θέλετε να χρησιμοποιήσετε τον απορροφητήρα στη λειτουργία φίλτρου.
- Ελέγξτε (για λόγους μεταφοράς) ότι δεν υπάρχει άλλο παρεχόμενο υλικό μέσα στον απορροφητήρα (π.χ. πακέτα με βίδες (*), εγγυήσεις (*) κ.λπ.), αφαιρώντας και κρατώντας τα.
- Εάν είναι δυνατόν, αποσυνδέστε και μετακινήστε τα ελεύθερα ή εντοιχισμένα έπιπλα από το άνοιγμα του ντουλαπιού για να έχετε ευκολότερη πρόσβαση στον πίσω τοίχο / οροφή. Σε αντίθετη περίπτωση, τοποθετήστε ένα παχύ, προστατευτικό κάλυμμα πάνω από τον πάγκο, την εστία ή τον φούρνο για προστασία από ζημιές και σκουπίδια. Επιλέξτε μια επίπεδη επιφάνεια για τη συναρμολόγηση της μονάδας. Καλύψτε την επιφάνεια με προστατευτικό κάλυμμα και τοποθετήστε επάνω όλα τα μέρη και τα εξαρτήματα του απορροφητήρα.

- Επιπροσθέτως, ελέγξτε αν υπάρχει κοντά στην περιοχή εγκατάστασης του απορροφητήρα (στην περιοχή που θα είναι προσβάσιμη μετά την εγκατάσταση του απορροφητήρα) μια ηλεκτρική πρίζα και εάν είναι δυνατή η σύνδεση μιας συσκευής εκκένωσης καπνού (μόνο λειτουργία αναρρόφησης).
- Εκτελέστε όλες τις απαιτούμενες εργασίες τοιχοποιίας (π.χ. τοποθέτηση ηλεκτρικής πρίζας και / ή οπής για τη διέλευση του σωλήνα εκκένωσης).

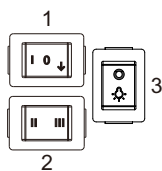
Τα βύσματα διαστολής παρέχονται για να στερεώσουν τον απορροφητήρα στους περισσότερους τύπους τοίχων / οροφών. Ωστόσο, ένας εξειδικευμένος τεχνικός πρέπει να επαληθεύσει την καταλληλότητα των υλικών σύμφωνα με τον τύπο τοίχου / οροφής. Ο τοίχος / οροφή πρέπει να είναι αρκετά ισχυρός για να αντέξει το βάρος του απορροφητήρα. Μην στηρίζετε την συσκευή στον τοίχο με πλακάκια, σοβά ή σιλικόνη. Η τοποθέτηση να γίνεται μόνο στην εξωτερική επιφάνεια.

ΛΕΙΤΟΥΡΓΙΑ

Χρησιμοποιήστε την υψηλή ταχύτητα απορρόφησης σε περιπτώσεις συμπτυκνωμένων ατμών κουζίνας. Συνιστάται να ενεργοποιείται ο απορροφητήρας 5 λεπτά πριν από το μαγείρεμα, να παραμείνει σε λειτουργία κατά τη διάρκεια του μαγειρέματος και για περίπου άλλα 15 λεπτά μετά το τέλος του μαγειρέματος. Παρακάτω περιγράφονται τρεις τύποι λειτουργίας.

ΤΑΛΑΝΤΕΥΟΜΕΝΟΣ ΔΙΑΚΟΠΤΗΣ

Η λειτουργία του απορροφητήρα ελέγχεται από (τρεις) διακόπτες, οι οποίοι βρίσκονται σε κάθε πλευρά. Είναι ορατοί όταν είναι σηκωμένη η τηλεσκοπική πρόσοψη. Ο τηλεσκοπικός απορροφητήρας διαθέτει έναν τερματικό διακόπτη. Κάθε φορά που σηκώνετε την τηλεσκοπική πρόσοψη, ο απορροφητήρας θα αρχίσει να λειτουργεί με την τελευταία ταχύτητα στην οποία είχε ρυθμιστεί.



1. 0 – απενεργοποίηση απορροφητήρα.
I – ο απορροφητήρας λειτουργεί στην ταχύτητα 1.
↓ – μετατόπιση για να ενεργοποιηθεί η ταχύτητα II ή η ταχύτητα III.
2. II – ο απορροφητήρας λειτουργεί στην ταχύτητα 2 (όταν ο διακόπτης 1 βρίσκεται στη θέση ↓).
III – ο απορροφητήρας λειτουργεί στην ταχύτητα 3 (όταν ο διακόπτης 1 βρίσκεται στη θέση ↓).
3. 0 / ⏻ – Ενεργοποίηση/ Απενεργοποίηση λυχνίας.

Το πλήκτρο με την σήμανση ⏻ χρησιμοποιείται για να ΑΝΑΨΕΙ ή να ΣΒΗΣΕΙ η λυχνία. Ο φωτισμός του απορροφητήρα λειτουργεί ανεξάρτητα από τον κινητήρα της συσκευής. Πατώντας το κουμπί ⏻ δεν θα ενεργοποιηθεί ο κινητήρας του απορροφητήρα.

Όταν η πιεσόμενη πρόσοψη κλείσει, ο τερματικός διακόπτης απενεργοποιεί τον κινητήρα και επίσης σβήνει το φως.

Εάν ο κινητήρας του απορροφητήρα και ο διακόπτης της λυχνίας είναι ήδη ΕΝΕΡΓΟΠΟΙΗΜΕΝΑ, ο κινητήρας της συσκευής θα αρχίσει να λειτουργεί και το φως θα ανάψει μόλις σηκωθεί η πρόσοψη.

ΠΙΝΑΚΑΣ ΕΛΕΓΧΟΥ



⏻ – ΕΝΕΡΓΟΠΟΙΗΣΗ / ΑΠΕΝΕΡΓΟΠΟΙΗΣΗ λειτουργίας απορροφητήρα. Όταν πιέσετε το κουμπί, η συσκευή θα αρχίσει να λειτουργεί στην ταχύτητα 1.

⏻ – Πατήστε το κουμπί Ταχύτητα 2 για να λειτουργήσει ο κινητήρας στην ταχύτητα 2.

⏻ – Πατήστε το κουμπί Ταχύτητα 3 για να λειτουργήσει ο κινητήρας στην ταχύτητα 3.

⏻ – Κουμπί Φωτισμού. Πατήστε για να ανάψει το φως της συσκευής. Πατήστε ξανά για να σβήσετε το φως.

ΠΛΗΚΤΡΑ ΑΦΗΣ



ⓘ – Πιέστε το πλήκτρο ΕΝΕΡΓΟΠΟΙΗΣΗ/ ΑΠΕΝΕΡΓΟΠΟΙΗΣΗ για να ξεκινήσετε την επιλογή των ταχυτήτων του κινητήρα.

⌂ – Πιέστε το κουμπί Ταχύτητα 1 για να λειτουργήσει ο κινητήρας στην ταχύτητα 1.

⌂ – Πιέστε το κουμπί Ταχύτητα 2 για να λειτουργήσει ο κινητήρας στην ταχύτητα 2.

⌂ – Πιέστε το κουμπί Ταχύτητα 3 για να λειτουργήσει ο κινητήρας στην ταχύτητα 3.

⌂: – Πιέστε το κουμπί Φως για να ανάψετε το φως. Πιέστε ξανά για να σβήσετε το φως.

ΣΥΝΤΗΡΗΣΗ

ΠΡΟΣΟΧΗ! Πριν εκτελέσετε οποιαδήποτε εργασία συντήρησης, απομονώστε τον απορροφητήρα από την παροχή ηλεκτρικού ρεύματος αποσυνδέοντας το καλώδιο και αφαιρώντας την ασφάλεια.

Ή εάν η συσκευή έχει συνδεθεί μέσω βύσματος και υποδοχής, θα πρέπει να βγει το καλώδιο από την πρίζα.

Καθάρισμα

Ο απορροφητήρας πρέπει να καθαρίζεται τακτικά (τουλάχιστον με την ίδια συχνότητα με τον οποίο πραγματοποιείτε τη συντήρηση του φίλτρου λίπους) εσωτερικά και εξωτερικά. Καθαρίστε χρησιμοποιώντας ένα υγρό ύφασμα με ουδέτερο υγρό απορρυπαντικό. Μην χρησιμοποιείτε λειαντικά προϊόντα. **ΜΗ ΧΡΗΣΙΜΟΠΟΙΕΙΤΕ ΑΛΚΟΟΛ!**

ΠΡΟΕΙΔΟΠΟΙΗΣΗ: Εάν δεν εκτελέσετε τις βασικές οδηγίες καθαρισμού του απορροφητήρα και της αντικατάστασης των φίλτρων, ενδέχεται να προκληθεί κίνδυνος φωτιάς. Επομένως, συνιστάται η τήρηση αυτών των οδηγιών. Ο κατασκευαστής δεν φέρει καμία ευθύνη για τυχόν ζημιές στον κινητήρα ή οποιαδήποτε ζημιά από φωτιά που συνδέεται με ακατάλληλη συντήρηση ή μη τήρηση των παραπάνω συστάσεων ασφαλείας.

Φίλτρα

Το μεταλλικό φίλτρο λίπους παγιδεύει τα σωματίδια λίπους. Το φίλτρο λίπους πρέπει να καθαρίζεται μία φορά το μήνα χρησιμοποιώντας μη επιθετικά απορρυπαντικά, είτε με το χέρι είτε στο πλυντήριο πιάτων, το οποίο πρέπει να ρυθμιστεί σε χαμηλή θερμοκρασία και σε σύντομο κύκλο. Όταν πλένεται σε πλυντήριο πιάτων, το φίλτρο λίπους μπορεί να αποχρωματιστεί, αλλά αυτό δεν επηρεάζει την ικανότητα φίλτραρίσματός του. Για να αφαιρέσετε το φίλτρο λίπους, τραβήξτε τη λαβή απελευθέρωσης του ελατηρίου.

Το φίλτρο άνθρακα (μόνο λειτουργία φίλτρου) απορροφά τις δυσάρεστες οσμές που προκαλούνται από το μαγείρεμα. Ο κορεσμός του φίλτρου άνθρακα πραγματοποιείται μετά από παρατεταμένη χρήση, ανάλογα με τον τύπο μαγειρέματος και την κανονικότητα του καθαρισμού του φίλτρου λίπους. Σε κάθε περίπτωση είναι απαραίτητο να αντικαθιστάτε το δοχείο τουλάχιστον κάθε τέσσερις μήνες. Το φίλτρο άνθρακα ΔΕΝ μπορεί να πλυθεί ούτε να καθαριστεί.

Αντικατάσταση λαμπτήρων

Ο απορροφητήρας διαθέτει σύστημα φωτισμού με τεχνολογία LED. Οι λαχνίες LED εγγυώνται τον βέλτιστο φωτισμό, με διάρκεια μέχρι και 10 φορές όσο οι παραδοσιακοί λαμπτήρες, επιτρέποντας την εξοικονόμηση έως και 90% της ηλεκτρικής ενέργειας.

ΠΡΟΕΙΔΟΠΟΙΗΣΗ!

! Για την αντικατάστασή τους, επικοινωνήστε με την υπηρεσία τεχνικής υποστήριξης.

Συμβουλές εξοικονόμησης ενέργειας

- 1) Όταν αρχίσετε το μαγείρεμα, ενεργοποιήστε τον απορροφητήρα στην ελάχιστη ταχύτητα, για να ελέγξετε την υγρασία και να αφαιρέσετε τις μυρωδιές από το μαγείρεμα
- 2) Αυξήστε την ταχύτητα του απορροφητήρα μόνο όταν η ποσότητα του ατμού το καθιστά απαραίτητο
- 3) Φροντίστε να καθαρίζετε τα φίλτρα του απορροφητήρα για να βελτιστοποιήσετε την απόδοση κατά του λίπους και των οσμών.

ES - CAMPANA EXTRACTORA

Siga las instrucciones en este manual sistemáticamente. El fabricante no se hace responsable de un posible inconveniente, daño o incendio que pudiera resultar del incumplimiento de las instrucciones de este manual. La campana está diseñada para la extracción de humo y vapor que se produce durante la cocción, y está destinada únicamente para uso doméstico o en el hogar.

La apariencia de la campana puede diferir de los dibujos en este folleto. Sin embargo, las instrucciones de uso, mantenimiento e instalación permanecen sin cambios.

- ! Guardar este manual para que pueda volver a leerlo en cualquier momento. Si vende, regala o mueve el aparato, asegúrese de que la guía del usuario siempre esté incluida.
- ! Leer cuidadosamente las instrucciones, ya que contienen información esencial sobre la instalación, el uso y la seguridad.
- ! No realizar intervenciones eléctricas o mecánicas ni tampoco ajustes en el aparato o en los tubos de escape o en los colectores.
- ! Antes de instalar el aparato, compruebe que todos los componentes no estén dañados. Si descubre que algún componente está dañado, llame a su distribuidor y no instale el aparato.

Nota: Los elementos marcados con el símbolo "(*)" son accesorios adicionales que se incluyen solo en algunos modelos o están disponibles como accesorios y no se suministran con el aparato.



¡ATENCIÓN!

¡ADVERTENCIA! No conectar el aparato a la red eléctrica hasta que se complete la instalación.

Antes de limpiar o mantener la campana extractora, desconéctela de la toma de corriente retirando el enchufe de la toma de corriente o apagando el fusible principal.

Siempre use guantes protectores durante todos los trabajos de instalación o mantenimiento.

El aparato no está diseñado para ser utilizado por niños o personas con capacidad física, sensorial o mental reducida o con falta de experiencia o conocimiento, a menos que el aparato se utilice bajo la supervisión adecuada o como lo indiquen las personas a cargo de su seguridad.

El aparato está destinado a ser utilizado por adultos. No permita que los niños pequeños jueguen con el aparato.

El aparato está destinado a ser utilizado por adultos. No permita que los niños jueguen con los controles del aparato o el aparato.

¡Nunca utilice la campana extractora sin el filtro bien instalado!

NUNCA utilice la campana como soporte o superficie de apoyo a menos que esté explícitamente permitido.

Si en la habitación donde está instalada la campana extractora, también se utilizan dispositivos o aparatos en los que se quema gas natural u otro combustible, dicha habitación debe tener suficiente ventilación.

El sistema de extracción de vapor de este aparato no debe conectarse al sistema de ventilación existente, que ya se utiliza para algún otro propósito, por ejemplo, para la extracción de gases producidos por la combustión de gas u otros combustibles.

Está estrictamente prohibido el flambear o el uso de fuego abierto directamente debajo de la campana extractora.

El uso de la llama abierta puede dañar los filtros y causar un incendio, por lo que debe evitarse bajo cualquier circunstancia.

Al freír tenga cuidado de que el aceite no se sobrecaliente y se encienda. Las partes accesibles de la campana pueden calentarse durante el funcionamiento del aparato de cocina ubicado debajo de la campana.

En cuanto a las medidas técnicas y de seguridad para la evaporación de vapores, es importante seguir estrictamente las reglas determinadas por las autoridades locales.

La campana extractora debe limpiarse regularmente tanto desde el interior como desde el exterior (POR LO MENOS UNA VEZ AL MES).


Limpie la campana extractora de acuerdo con las instrucciones de mantenimiento de este manual. Si no sigue las instrucciones en este manual con respecto a la limpieza de la campana extractora y de los filtros, puede haber riesgo de incendio.

No utilice la campana extractora o no deje la campana extractora sin la bombilla correctamente instalada, de lo contrario, podría producirse una descarga eléctrica.

El fabricante se exime de cualquier responsabilidad por defectos, daños o incendios que puedan surgir en el dispositivo debido al incumplimiento de las instrucciones de este manual.

El aparato está marcado de acuerdo con la Directiva Europea 2002/96/CE sobre residuos de equipos eléctricos y electrónicos. Al tener cuidado de eliminar este producto adecuadamente, contribuirá a prevenir los efectos dañinos para el medio ambiente y la salud humana que, de lo contrario, podrían resultar del manejo inadecuado de este producto una vez finalizada su vida útil.



El símbolo  en el producto o en la documentación adjunta indica que el aparato no debe tratarse como un desecho doméstico, sino que debe entregarse en un punto de recolección adecuado para el reciclaje de equipos eléctricos y electrónicos. Deseche el aparato de acuerdo con las normas ambientales locales para la eliminación de residuos.

Para obtener información más detallada sobre la recuperación, recolección y reciclaje de este producto, comuníquese con el departamento correspondiente de la autoridad local competente, el servicio local de gestión de residuos domésticos o la tienda donde adquirió este producto.

El aparato está diseñado, probado y fabricado de acuerdo con las siguientes normas o regulaciones:

- Seguridad: EN/IEC 60335-1; EN/IEC 60335-2-31, EN/IEC 62233.
- Prestación: EN/IEC 61591; ISO 5167-1; ISO 5167-3; ISO 5168; EN/IEC 60704-1; EN/IEC 60704-2-13; ISO 3741; ISO 50564; IEC 62301.
- EMC (compatibilidad electromagnética) EN 55014-1; CISPR 14-1; EN 55014-2; CISPR 14-2; EN/IEC 61000-3-2; EN/IEC 61000-3-3.

Sugerencias para un uso correcto con el fin de reducir el impacto ambiental: ENCENDER la campana a la velocidad mínima cuando empiece a cocinar y manténgala en marcha durante unos minutos después de haber acabado de cocinar. Aumente la velocidad solo si se produjera una gran cantidad de humo y vapor y use la velocidad o velocidades turbo solo en situaciones extremas. Si es necesario, reemplace los filtros de carbón (o el filtro de carbón) para mantener una buena eficiencia en la eliminación de olores desagradables. Si es necesario, limpie los filtros de grasa (o el filtro de grasa) para mantener una buena eficiencia. Utilice el diámetro máximo del sistema de conductos indicado en este manual, para optimizar el rendimiento y minimizar el ruido.

Especificaciones de instalación adicionales:

Durante la instalación, solo use los tornillos para el ajuste que se adjuntan al aparato. Si los tornillos no están incluidos, compre los tornillos del tipo apropiado. Use los tornillos del largo apropiado de acuerdo con la información en la Guía de instalación.

En caso de duda, póngase en contacto con un taller de reparación autorizado, un centro de ayuda al cliente u otra persona debidamente cualificada.

¡ADVERTENCIA! Si no instala los tornillos o los accesorios de montaje de acuerdo con estas instrucciones, puede ocurrir un riesgo de descarga eléctrica.

USO

La campana extractora está diseñada para ser utilizada tanto en el modelo de extracción al exterior como por el modelo de filtrado.



Modelo de extracción

El humo es evacuado hacia el exterior a través de un tubo de escape introducido en el reborde de conexión que se encuentra en la parte superior de la campana.

¡Atención! El tubo de escape no se suministra y se debe comprarse por separado. El diámetro del tubo de escape debe ser el mismo que el diámetro del reborde.

En la sección horizontal, el tubo debe estar ligeramente inclinado hacia arriba (aproximadamente 10°) para que el aire se extraiga fácilmente de la habitación.

¡Atención! Si la campana está equipada con filtros de carbón, deben retirarse.

Para la conexión entre la campana y la abertura en la pared para la extracción de vapor, usar un tubo con un diámetro igual al diámetro de la abertura de salida en la campana (reborde de conexión).

Si el diámetro del tubo o la abertura de la pared es menor, la potencia de succión será menor y el ruido aumentará significativamente.

Para tales casos, el fabricante se deslinda de cualquier responsabilidad.

- ! Utilice un tubo de extracción de aire cuya longitud sea la mínima indispensable.
- ! Utilice un tubo de extracción con el menor número posible de curvas. El ángulo máximo de la curva debe ser de 90°.
- ! Evite los cambios drásticos en la sección del tubo de extracción de aire.
- ! La superficie interior del tubo de extracción debe ser lo más lisa posible.
- ! El tubo de extracción de aire debe estar fabricado de un material con los certificados apropiados.



Versión de filtro

Para esta versión, necesita un filtro de carbón, que puede obtenerse en la tienda de electrodomésticos.

El filtro elimina la grasa y los olores del aire filtrado, y luego el aire purificado regresa a la habitación a través de las ranuras de salida en la parte superior del aparato.

INSTALACIÓN

La distancia mínima entre la superficie de cocción y la parte más baja de la campana no debe ser inferior a 45cm en el caso de las cocinas eléctricas y de 50cm en el caso de las cocinas a gas o mixtas.

Si las instrucciones para la instalación del dispositivo para cocinar con gas especifican una distancia mayor, hay que tener esto en consideración.



Conexión eléctrica

La tensión de red debe corresponder con la tensión indicada en la etiqueta colocada en el interior de la campana extractora. Si es suministrada con un enchufe, conectar la campana a una toma de corriente conforme a las normas en vigor y colocarlo en una zona accesible, aun después de la instalación. Si no es suministrada con enchufe (conexión directa a la red eléctrica) o si la toma no es posible situarla en un lugar accesible, aun después de la instalación, se debe colocar un interruptor bipolar de acuerdo con las normativas, para asegurarse la desconexión completa a la red eléctrica en el caso de la categoría de alta tensión III, conforme con las reglas de instalación.

¡Advertencia! Asegúrese siempre de que el cable de alimentación esté instalado correctamente antes de volver a conectar la fuente de alimentación a la red eléctrica y verificar su funcionamiento.

La campana extractora está equipada con un cable de conexión especial; si este está dañado, solicite uno nuevo al departamento de reparaciones.

Tipo de instalación

El aparato es muy pesado. Al menos dos personas deben cooperar en el manejo de la campana extractora y su instalación.

Antes de comenzar la instalación:

- Comprobar que el producto comprado sea del tamaño apropiado de acuerdo con el área de instalación seleccionada.
- Retirar los filtros de carbón o el filtro de carbón (*), si se suministra (consulte el párrafo correspondiente). Instale los filtros de carbón (o el filtro de carbón) solo si usa la campana en versión de filtrado.
- Asegúrese de que no haya ningún material u otro elemento dentro de la campana (que podría caerse en el curso del transporte, por ejemplo, paquetes con tornillos (*), la garantía (*), etc.) y, si es necesario, retírelos.
- Si es posible, desconecte y mueva la cocina independiente o la cocina, que puede introducirse en el nicho entre los elementos de la cocina para facilitar el acceso a la pared detrás de la cocina o hasta el techo. Si esto no es posible, coloque una cubierta protectora gruesa sobre la cocina o estufa para protegerla de daños y objetos extraños. Elija una base plana para la instalación del aparato. Cubra esta base con una capa protectora sobre la cual colocar todas las partes de la campana extractora y las partes para fijarla.
- Además, verifique si hay una toma cerca del lugar donde desea instalar la campana extractora (en un lugar al que se

podrá acceder incluso después de la instalación de la campana), y si es posible conectarla a la instalación, que drenará el vapor libremente.

- Realizar todos los trabajos de construcción necesarios (p. ej., instalar una toma eléctrica y/o un orificio para el tubo de salida).

Para montar la campana extractora en la mayoría de los tipos de paredes o techos se adjuntan soportes de pared. Sin embargo, un experto debidamente capacitado debe verificar si los materiales son los adecuados dependiendo de la clase o del tipo de pared/techo. Pared o el techo debe ser lo suficientemente fuerte para soportar el peso de la campana extractora. No intente colocar este aparato en la pared o instalarlo con azulejos, compuestos de lechada, revoque o masilla de silicona. El aparato está destinado únicamente para montaje superficial.

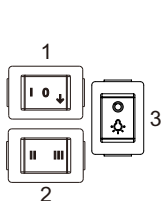
FUNCIONAMIENTO

Utilice la alta velocidad de extracción solamente en caso de altas concentraciones de vapor durante la cocción. Le recomendamos encender el extractor 5 minutos antes de comenzar a cocinar para que funcione todo el tiempo durante la cocción y déjelo funcionando aproximadamente 15 minutos más después de terminar de cocinar. A continuación se describen tres modos de funcionamiento.

INTERRUPTOR BASCULANTE

El funcionamiento del extractor es regulado con tres interruptores que se encuentran a los costados del aparato. Son visibles al extraer la placa frontal.

El extractor extraíble está equipado con un interruptor limitador. Cada vez que extrae la placa frontal el extractor comienza a funcionar con la última potencia configurada.



1. 0 – Apagado del extractor
I – Funcionamiento del extractor en el 1° nivel de potencia.
↓ – Coloque el interruptor en esta posición para configurar el nivel 2 o 3 de potencia de funcionamiento.
2. II – Funcionamiento del extractor en el 2° nivel de potencia (cuando el interruptor 1 se encuentra en la posición ↓).
III – Funcionamiento del extractor en el 3° nivel de potencia (cuando el interruptor 1 se encuentra en la posición ↓).
3. O / – Encendido/apagado de la iluminación.

Con el botón marcado con el símbolo se enciende o apaga la iluminación. La iluminación en el extractor funciona independientemente del motor del extractor. Presionando el botón se enciende el motor del extractor.

Cuando cierra nuevamente la placa frontal extraíble, el interruptor limitador apaga el motor del extractor y apaga la luz.

Si el motor del extractor y el interruptor para iluminación ya están encendidos, el motor del extractor comenzará a funcionar y la iluminación se encenderá cuando extraiga la placa frontal.

FUNCIONES DE LOS BOTONES



- ① – Encendido/apagado del extractor. Al presionar el botón el extractor comenzará a funcionar con velocidad 1 (1° nivel de velocidad).
- Presione el botón para la velocidad 2, para activar el funcionamiento del motor con el 2° nivel de velocidad.
- Presione el botón para la velocidad 3, para activar el funcionamiento del motor con el 3° nivel de velocidad.
- Presionando este botón se enciende la iluminación. Para apagarla presione nuevamente el mismo botón.

BOTONES TÁCTILES



① – Presione el botón con sensor para el encendido/apagado para posibilitar la selección de la velocidad del funcionamiento del motor.

☞ – Presione el botón para la velocidad 1, para activar el 1° nivel de velocidad .

☞ – Presione el botón para la velocidad 2 , para activar el 2° nivel de velocidad del motor

☞ – Presione el botón para la velocidad 3, para activar el 3° nivel de velocidad del motor

☞: – Presione este botón con sensor para activar la luz o la iluminación. Para apagarla presione nuevamente este botón.

MANTENIMIENTO

¡ATENCIÓN! Desconectar la campana extractora de la red eléctrica antes de realizar cualquier trabajo de mantenimiento u operación apagándola en la conexión y retirando el fusible del conector.

Si el aparato está conectado a una toma de corriente a través de un enchufe, sacar el enchufe de la toma.

Limpeza

La campana extractora debe limpiarse regularmente (al menos con la misma frecuencia que la limpieza del filtro de grasa), tanto desde el interior como desde el exterior. Limpiar con un paño humedecido con un limpiador neutro. No utilice limpiadores abrasivos. **¡NO USE ALCOHOL!**

ADVERTENCIA: Si ignora las recomendaciones básicas para limpiar la campana y reemplazar los filtros, puede haber un riesgo de incendio. Por lo tanto, le recomendamos que siga estas instrucciones. El fabricante no se hace responsable por daños al motor o daños resultantes de un incendio si dichos daños se deben a un mantenimiento inadecuado o al incumplimiento de las recomendaciones de seguridad mencionadas anteriormente.

Filtros

El **filtro antigrasa metálico** atrapa las partículas de grasa que se liberan durante la cocción. El filtro antigrasa metálico debe limpiarse una vez al mes con detergentes no agresivos, manualmente o bien en lavavajillas a bajas temperaturas y con ciclo breve. Con el lavado en el lavavajilla el filtro antigrasa metálico puede desteñirse pero sus características de filtrado no cambian absolutamente. Para desmontar el filtro antigrasa, tirar de la manija de desenganche de muelle.

El **filtro de carbón** (solo en la versión de filtro) absorbe los olores desagradables que se producen durante la cocción. Después de un uso prolongado, se produce la saturación del filtro, dependiendo del método de cocción y la frecuencia de limpieza del filtro de grasa. En cualquier caso, el cartucho del filtro de carbón debe ser reemplazado cada cuatro meses. El filtro de carbón NO se permite lavar o regenerar.

Sustitución de las lámparas

La campana viene provista de un sistema de iluminación basado en la tecnología LED. Los LEDS garantizan una iluminación óptima, una duración hasta 10 veces mayor de las lámparas tradicionales y permiten aborrra el 90% de energía eléctrica.

¡ADVERTENCIA!

Para la sustitución dirigirse al servicio asistencia técnica.

Consejos para el ahorro de energía

- 1) Al comenzar a cocinar, encienda la campana a la velocidad mínima para controlar la humedad y quitar los olores que se producen durante la cocción.
- 2) Aumente la velocidad de operación de la campana solo cuando sea necesario debido a la cantidad de vapores.
- 3) Para mantener la eficiencia óptima de eliminación de grasa y olores, mantenga la limpieza del filtro o los filtros de campanas.

Järgige selles juhendis toodud juhtnööre. Selles kasutusjuhendis sisalduvate juhtnööride eiramisest põhjustatud ebamugavuste, kahjude või põlengute eest lasub vastutus kasutajal. Kubu on mõeldud toiduvalmistamisel tekkiva auru ja suitsu imemiseks ning ainult kodus kasutamiseks.

Kubu võib erineda siin toodud kujutistest. Kasutus-, hooldus- ja paigaldusjuhised on siiski samad.

- ! Brošüür tuleb alles hoida, et seda saaks vajaduse korral alati lugeda. Seadme müümisel, loovutamisel või mujale viimisel peab brošüür sellega kindlasti kaasas olema.
- ! Tutvuge juhistega põhjalikult: need sisaldavad olulist teavet paigaldamise, kasutamise ja ohutuse kohta.
- ! Ärge muutke toote või selle väljalaskevade elektrilist või mehaanilist ehitust.
- ! Enne seadme paigaldamist veenduge, et ükski osa ei oleks viga saanud. Kui on, võtke ühendust edasimüüjaga ja ärge paigaldamisega alustage.

NB! Sümboliga (*) märgitud komponendid on lisatarvikud, mis tarnitakse ainult teatavate mudelite või komponentide ostmisel, mitte koos tootega.



ETTEVAATUST!

HOIATUS! Ärge seadet elektrivõrku ühendage enne, kui see on täielikult paigaldatud.

Enne kubu puhastamist või hooldamist ühendage see elektrivõrgust lahti, eemaldades pistiku või lülitades elektritoite välja. Paigaldus- ja hooldustööde ajal kandke alati töökindaid.

Käesolev seade ei ole mõeldud kasutamiseks lastele ega piiratud füüsiliste, sensoorsete või vaimsete võimete ega asjakohaste kogemuste ja teadmisteta isikutele, välja arvatud juhul, kui nende ohutuse eest vastutav isik on andnud neile seadme ohutu kasutamise kohta juhiseid või kui seadet kasutatakse nimetatud isiku järelevalve all.

Seade on mõeldud kasutamiseks täiskasvanutele; lapsi tuleb jälgida, veendumaks et nad seadmega ei mängi.

Seade on mõeldud kasutamiseks täiskasvanutele. Lastel ei tohi lasta juhtnuppe rikkuda ega seadmega mängida.

Kubu ei tohi kasutada ilma korralikult kinnitatud võreta!

Kubu ei tohi KUNAGI kasutada toetuspinnana, välja arvatud juhul, kui on konkreetselt osutatud teisiti.

Ruumis, kuhu kubu paigaldatakse, peab olema piisav ventilatsioon, kui seadet kasutatakse koos muude gaasipõletusseadmetega või kütustega.

Seadme torusüsteemi ei tohi ühendada olemasoleva ventilatsioonisüsteemiga, mida kasutatakse mingil muul otstarbel, näiteks selleks, et gaasi või muud kütust põletavatest seadmetest heitgaase välja juhtida.

Kubu all toidu leegiga põletamine on rangelt keelatud.

Lahtise tule kasutamine kahjustab filtrit ja on tuleohtlik ning seega tuleb seda kõigi asjaolude korral vältida.

Praadimisel tuleb olla ettevaatlik, et õli ei kuumeneks üle ega süttiks. Kubu ligipääsetavad osad võivad kooğiseadmeid kasutades muutuda kuumaks.

Auru eraldamisel rakendatavate tehniliste ja ohutusmeetmete osas tuleb täpselt järgida kohaliku omavalitsuse kehtestatud eeskirju.

Kubu tuleb korrapäraselt seest ja väljast puhastada (VÄHEMALT KORD KUUS).


See tuleb teostada vastavalt lisatud hooldusjuhistele. Kasutusjuhendis toodud kubu ja filtrite puhastamist käsitlevate juhtnööride eiramisel tekib põlenguohu.

Ärge kasutage ega jätke kubu selliselt, et pirnid ei ole korrektselt paigaldatud – elektrilöögi oht.

Me ei võta vastutust seadmega seotud rikete, kahjude ega põlengute eest, mis tulenevad kasutusjuhendis sisalduvate juhtnööride eiramisest.

Seade on märgistatud vastavalt Euroopa elektri- ja elektroonikaseadmete jäätmete (WEEE) direktiivile 2012/96/EL. Õige jäätmekäitluse tagamisega aitate vältida võimalikke kahjulikke tagajärgi loodusele ja inimeste tervisele, mida selle seadme väär äraviskamine võib kaasa tuua.



Sümbol  tootel või sellega kaasas olevates dokumentides tähendab, et toodet ei tohi käidelda olmeprügina. Selle asemel tuleb see viia elektriliste ja elektrooniliste seadmete kogumiseks ettenähtud jäätmejaama. Seadme utiliseerimine peab toimuma vastavalt kohalikele jäätmekäitluseeskirjadele.

Täiendava teabe saamiseks tootega seotud jäätmete kogumise ja ringlussevõtu korra kohta võtke ühendust kohaliku omavalitsuse vastava osakonnaga või olemprügiga tegeleva kohaliku ametiga või kauplusega, kust te toote ostsite.

Seade on konstrueeritud, toodetud ja seda on katsetatud vastavalt järgmistele standarditele.

- Ohutus: EN/IEC 60335-1; EN/IEC 60335-2-31, EN/IEC 62233.
- Jõudlus: EN/IEC 61591; ISO 5167-1; ISO 5167-3; ISO 5168; EN/IEC 60704-1; EN/IEC 60704-2-13; ISO 3741; EN 50564; IEC 62301.
- Elektromagnetiline ühilduvus: EN 55014-1; CISPR 14-1; EN 55014-2; CISPR 14-2; EN/IEC 61000-3-2; EN/IEC 61000-3-3.

Soovitused õigeks, keskkonnamõju vähendavaks kasutuseks: toitu valmistama asudes lülitage kuhu sisse minimaalsel kiirusel ja jätke see pärast lõpetamist mõneks minutiks tööle. Suurendage kiirust ainult siis, kui suitsu ja auru tekib suures koguses ning kasutage maksimaalset kiirust ainult erakorralises olukorras. Asendage söefilter (-filtrid), kui on vaja parandada lõhnaeemaldamise tõhusust. Puhastage rasvafilter (-filtrid), kui on vaja parandada rasvafiltri tõhusust. Kasutage selles juhendis toodud maksimaalse läbimõõduga ventilatsioonikanaleid, et optimeerida tõhusust ja vähendada müra.

Täiendavad paigaldamisjuhised

Kasutage ainult koos tootega tarnitud kruvisid, kui need puuduvad, ostke õiget tüüpi kruvid. Kasutage õige pikkusega kruvisid, lähtudes paigaldamisjuhendist.

Kahtluste korral pidage nõu volitatud teeninduskeskuse või muu kvalifitseeritud isikuga.

HOIATUS! Kui kruvide või kinnitusseadme paigaldamisel ei järgita käesolevaid juhiseid, on elektrilöögi oht.

KASUTUS

Kuhu on mõeldud kasutamiseks kas väljalaskesüsteemi või filtriga versioon.



Äratõmbesüsteemiga versioon

Aur viiakse hoonest kuhu peal asuva ühendusrõnga külge kinnitatud spetsiaalse toru kaudu välja.

NB! Väljalasketoru ei kuulu komplekti, vaid tuleb eraldi osta. Väljalasketoru läbimõõt peab vastama ühendusrõngale.

Kui torud kulgevad horisontaalselt, siis peab väljalasketoru olema kerge kalde all (umbes 10°) ja ülespoole suunata, et õhu saaks ruumist välja juhtida.

NB! Kui kuhul on aktiivsöefilter, siis tuleb see eemaldada.

Kuhu ja tühjenemisavad ühendada seinaga läbimõõduga, mis vastab õhuväljalaskeavale (ühendusäärik).

Seintel väiksema läbimõõduga torude ja tühjenemisavade kasutamine vähendab inimesjõudu ja suurendab oluliselt müra.

Seega tootja selle eest vastutust ei võta.

! Toru peab olema minimaalse hädavajaliku pikkusega.

! Kasutage võimalikult sirget toru (maksimaalne põlvnurk: 90 °).

! Vältige toru ristõikes järske muutusi.

! Kasutage seest võimalikult siledat toru.

! Toru peab olema valmistatud sertifitseeritud materjalist.



Filtriga versioon

Selleks on vajalik üks aktiivsöefilter, mille leiata kauplusest.

Filter eemaldab väljuvast õhust rasva ja lõhnad enne, kui see ülemise väljalaskevõru kaudu kööki tagasi tuleb.

PAIGALDAMINE

Minimaalne kaugus pliidil olevate pannide/pottide tugipinna ja kuhu põhja vahel peab elektripliididel olema vähemalt 50 cm ning gaasi- ja segapliididel 65 cm.

Kui gaasipliidi kasutusjuhendis on ette nähtud suurem kaugus, siis tuleb seda järgida.



Elektriühendus

Põhitoiteallikas peab vastama kuhu siseküljel oleval andmeplaadil näidatud väärtusele. Kui kuhu on varustatud pistikuga, ühendage see pärast paigaldamist ligipääsetavas kohas oleva pesaga, järgides kehtivaid eeskirju. Kui kuhul pistikut ei ole (ühendatakse otse vooluvõrku) või kui see ei asu ligipääsetavas kohas, kasutage pärast paigaldamist kooskõlas normidega ja vastavalt paigaldusjuhiste toepeltistikupesa, mis tagab III kategooria ülevoolu korral täieliku vooluvõrgust lahtiühendamise.

Hoiatus!! Enne kuhu vooluvõrguga uuesti ühendamist ja selle töötamise kontrollimist veenduge, et peajuhe oleks õigesti paigaldatud.

Kuhu on varustatud spetsiaalse toitejuhtmega; kui kaabel on viga saanud, küsige tehnilisest hoolduskeskusest uus.

Paigaldamine

Toode on väga raske. Selle käsitsemiseks ja paigaldamiseks on vaja vähemalt kahte inimest. Enne paigaldama asumist:

- veenduge, et ostetud toode oleks valitud paigaldusala jaoks sobiva suurusega.
- Eemaldage söefilter (söefiltrid) (*), kui see (need) on komplektis (vt ka vastavat jaotist), Laske filter paigaldada üksnes siis, kui soovite kuhu filtrirežiimiga kasutada.
- Kontrollige, ega transportimisel ei ole kubesse jäänud muid esemeid (näiteks pakendeid kruvidega (*), garantiilehte (*)) jms), eemaldage need ja hoidke alles.
- Võimaluse korral ühendage lahti ja viige kaugemale kapid ja tööpinnad, et tagaseinale/laele lihtsam ligi pääseda oleks, Kui seda ei ole võimalik teha, katke tööpind, pliit või kapid paksu materjaliga, et neid kahjustuste ja prügi eest kaitsta. Valige seadme kokkupanemiseks ühetasane pind. Katke pind kaitsematerjaliga ja asetage sellele kõik kuhu osad ja tööriistad.
- Lisaks kontrollige, kas kuhu paigaldamiskoha lähedal (kohas, millele pääseb ligi ka pärast kuhu paigaldamist) on elektripesa ja kas välja on võimalik ühendada gaasitõmbeseade (ainult imemisega kuhu puhul).
- Teostage müüritööd (näiteks pistikupesa paigaldamiseks ja/või augu tegemiseks tõmbetoru jaoks).

Kubuga on kaasas jämenevad seinatüübid, millega saab kuhu peaaegu igat tüüpi seinale/lakke kinnitada. Kvalifitseeritud tehnik peab siiski kontrollima, kas materjalid seinala/tüübile sobivad. Sein/lagi peab olema piisavalt tugev, et kuhu raskust kanda. Seadme seinale kinnitamiseks ei tohi kasutada plaate, krohvi ega silikooni. Ainult pindmontaaž.

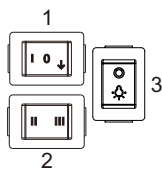
KASUTAMINE

Kontsentreerunud köögiaurude korral kasutage kõrget imikiirust. Enne toiduvalmistamist soovitatakse pliidikuhu 5 minutiks sisse lülitada ja jätta tööle toiduvalmistamise ajaks ja umbes 15 minutiks pärast selle lõpetamist. Allpool kirjeldatakse kolme kasutusviisi.

KIIKLÜLITI

Kuhu tööd juhitakse kolme lülitiga, mis asuvad kummalgi pool kuhu. Need on nähtavad, kui esipaneeli teleskooppikendus välja tõmmata.

Teleskoopiinne kuhu on varustatud piirlülitiga. Iga kord, kui te teleskooppikenduse välja tõmbate, hakkab kuhu varem seatud kiirusega tööle.



1. 0 – kubu väljalülitamine.
I – kubu kiiruse 1. aste.
↓ – II või III mootorikiirusele lülitamine.
2. II – kubu kiiruse 2. aste (kui lülitati 1 on asendis ↓).
III – kubu kiiruse 3. aste (kui lülitati 1 on asendis ↓).
3. – valgustus SEES/VÄLJAS.

Nuppu kasutatakse valgustuse SISSE/VÄLJA lülitamiseks. Kubu valgustus töötab kubu mootorist sõltumatult. Nupule vajutamine kubu mootorit ei käivita.

Kui esipaneel on suletud asendis, lülitab piirlüliti kubu mootori ja ühtlasi valgustuse välja. Kui kubu mootori ja valgustuse lülitati on juba SISSELÜLITATUD asendis, siis hakkab kubu mootor tööle ja valgustus süttib, kui esipaneel välja tõmmatakse.

NUPPUDE JUHTIMINE



- kubu SISSE-/VÄLJALÜLITATUD. Nupule vajutamisel hakkab kubu tööle kiiruse 1. astmel.
- Vajutage 2. kiiruse nuppu, et käivitada mootor 2. kiirusel.
- Vajutage 3. kiiruse nuppu, et käivitada mootor 3. kiirusel.
- Valgusnupp valgustuse SISSE lülitamiseks. Valgustuse VÄLJA lülitamiseks vajutage nuppu veel üks kord.

PUUTEKA JUHTIMINE



- Mootori kiiruse valimiseks vajutage sisse-väljalülitamisnuppu.
- Vajutage 1. kiiruse nuppu, et käivitada mootor 1. kiirusel.
- Vajutage 2. kiiruse nuppu, et käivitada mootor 2. kiirusel.
- Vajutage 3. kiiruse nuppu, et käivitada mootor 3. kiirusel.
- Vajutage valgusnuppu valgustuse SISSE lülitamiseks. Valgustuse VÄLJA lülitamiseks vajutage nuppu veel üks kord.

HOOLDUS

NB! Enne hooldust isoleerige kubu elektritoitest, lülitades konektori välja ja eemaldades selle kaitsme. Kui kubu on ühendatud pistiku ja pesaga, siis eemaldage pistik pesast.

Puhastamine

Kubu tuleb korrapäraselt seest ja väljast puhastada (vähemalt sama sageli, kui te rasvafiltrit hooldate). Kasutage puhastamiseks neutraalses pesuvedelikus niisutatud lappi. Ärge kasutage abrasiivseid vahendeid. **ALKOHOLI EI TOHI KASUTADA!**

HOIATUS! Kui kubu vastavalt soovitudele ei puhastata ja filtreid ei asendata, võib tekkida põlengu oht. Seetõttu soovime juhtnõre järgida. Tootja ei vastuta mootori kahjustuste ega põlengute eest, kui nende põhjuseks on vale hooldamine või eespool kirjeldatud ohutussoovituste eiramine.

Filtrid

Metallist rasvafilter püüab kinni toidu valmistamisel tekkivad rasvaosakesed. Rasvafiltrit peab puhastama kord kuus nõrgatoimelise pesuvahendiga või käsitsi või nõudepesumasinas madalal temperatuuril ja kasutades lühikest tsüklit. Nõudepesumasinas pesemisel võib rasvafilter värvi muuta, kuid see ei mõjuta selle filtrimisomadusi. Rasvafiltri eemaldamiseks tõmmake vedruga vabastushooba.

Sõefilter (ainult filtriga versioon) imeb toiduvalmistamisel tekkivaid ebameeldivaid lõhnasid. Pikemaajalisel kasutamisel sõefilter ummistub, sõltuvalt toiduvalmistamise viisidest ja rasvafiltri puhastamise sagedusest. Igal juhul tuleb salv vähemalt kord nelja kuu jooksul välja vahetada. Sõefiltrit EI TOHI pesta ega regenereerida.

Asenduslambid

Pliidikubu on varustatud LED-tehnoloogial põhineva valgustussüsteemiga. LED-lambid tagavad optimaalse valgustuse ja kestavad tavapäraste pirnidega võrreldes kuni 10 korda kauem ning võimaldavad säästa 90% elektrienergiast.

HOIATUS!

Pirnide väljavahetamiseks pöörduge teeninduskeskuse poole.

Energia säästmise nipid

- 1) Toitu valmistama asudes lülitage kubu sisse minimaalsel kiirusel, et juhtida niiskust ja eemaldada toiduvalmistamise lõhnad.
- 2) Suurendage kubu imemiskiirust ainult siis, kui auru kogus selle vajalikuks teeb.
- 3) Hoidke kubu filter (filtrid) puhtana, et rasva ja lõhnade eemaldamine oleks optimaalne.

Noudata tiukasti tässä käsikirjassa asetettuja ohjeita. Emme ota mitään vastuuta mahdollisista haitoista, vahingoista tai tulipaloista, jotka ovat seurausta tässä käsikirjassa olevien ohjeiden noudattamatta jättämisestä. Liesituuletin on suunniteltu ruoanlaitossa syntyvien käryjen ja höyryn imemiseen, ja se on tarkoitettu ainoastaan yksityiskäyttöön.

Liesituuletin voi näyttää erilaiselta verrattuna tässä vihkosessa esitettyihin piirustuksiin. Käyttö-, huolto- ja asennusohjeet ovat kuitenkin samat.

- ! On tärkeää säilyttää tämä vihkonen myöhempiä tarkastelua varten millä hetkellä tahansa. Myynnin, luovutuksen tai siirron tapauksessa varmista, että se seuraa tuotteen mukana.
- ! Lue ohjeet huolellisesti: ohjeissa on tärkeitä tietoja asennuksesta, käytöstä ja turvallisuudesta.
- ! Älä tee sähköisiä tai mekaanisia muutoksia tuotteeseen tai sen poistokanaviin.
- ! Tarkasta, että kaikki laitteen osat ovat vahingoittumattomat ennen kuin asennat sen. Jos näin ei ole, ota yhteyttä jälleenmyyjäsi, äläkä asenna tuotetta.

Huomaa: symbolilla "(*)" merkityt osat ovat valinnaisia varusteita, jotka toimitetaan vain tiettyjen mallien kohdalla tai jotka on ostettava erikseen.



VAROITUS

VAROITUS! Älä liitä laitetta sähköverkkoon ennen kuin asennus on täysin valmis.

Irrota liesituuletin ennen kaikkia puhdistus- tai huoltotoimenpiteitä sähköverkosta irrottamalla pistoke tai erottamalla sähköverkon sähkönsyöttö.

Pidä aina työkaluina asennus- ja huoltotoimenpiteissä.

Laitetta ei ole tarkoitettu lasten tai sellaisten henkilöiden käyttöön, joiden fyysinen tai henkinen toimintakyky tai aistit ovat rajoittuneet tai joilla ei ole kokemusta tai tietoa laitteen käytöstä, muutoin kuin heidän turvallisuudestaan vastaavan henkilön valvonnassa tai opastuksella.

Tämä laite on suunniteltu aikuisten käytettäväksi, lapsia on valvottava, jotta he eivät leikkisi laitteella.

Tämä laite on suunniteltu aikuisten käytettäväksi. Älä anna lasten peukaloida ohjaimia tai leikkiä laitteen kanssa.

Älä milloinkaan käytä liesituuletinta ilman oikein asennettua ritilää!

Liesituuletinta EI MILLOINKAAN saa käyttää tukipintana, ellei näin ole erityisesti kehoitettu.

Laitteen asennuspaikan on oltava riittävän hyvin tuuletettu, kun liesituuletinta käytetään yhdessä muiden kaasulla tai muilla polttoaineilla toimivien laitteiden kanssa.

Laitteen putkijärjestelmää ei saa liittää mihinkään muuhun tuuletusjärjestelmään, jota käytetään muihin tarkoituksiin, kuten pakokaasujen poistamiseen laitteista, jotka toimivat kaasulla tai muilla polttoaineilla.

Ruokien liekittäminen liesituulettimen alla on kiellettyä.

Avotulen käyttö on haitallista suodattimille ja voi aiheuttaa tulipalon vaaran, joten siitä on vältettävä kaikissa olosuhteissa.

Paistettaessa on aina noudatettava varovaisuutta, jotta varmistetaan, että öljy ei ylikuumene ja syty palamaan.

Liesituulettimen käsiksi päästävät osat voivat kuumentua, kun niitä käytetään keittolaitteiden kanssa.

Jotta käryjen poistoa koskevia teknisiä ja turvallisuusmääräyksiä noudatettaisiin, on tärkeää noudattaa tarkoin paikallisten viranomaisten antamia säädöksiä.

Liesituuletin täytyy puhdistaa säännöllisesti sekä sisältä että ulkoa (VÄHINTÄÄN KERRAN KUUKAUDESSA).

Tämä täytyy suorittaa tässä käsikirjassa annettujen huolto-ohjeiden mukaisesti). Virhe näiden tässä käyttöoppaassa olevien ohjeiden noudattamisessa liesituulettimen ja suodattimien puhdistusta koskien johtavat tulipalojen vaaraan.


Älä käytä liesituuletinta tai jätä sitä päälle, jos sen lamppua ei ole asennettu oikein; on olemassa sähköiskun vaara.

Emme vastaa mistään laitteelle aiheutuneesta viasta, vahingosta, tai tulipalosta, joka on seurausta tämän käyttöoppaan sisältämien ohjeiden noudattamatta jättämisestä.

Tämä tuote on merkitty Euroopan parlamentin ja neuvoston sähkö- ja laiteromusta antaman direktiivin 2002/96/EY mukaisesti. Varmistamalla tämän tuotteen hävittäminen oikealla tavalla autat välttämään ihmisten terveydelle ja ympäristölle

mahdollisesti aiheuttavia haitallisia seuraamuksia, jotka tämän tuotteen jätteiden epäasianmukainen käsittely saattaa muussa tapauksessa aiheuttaa.



Tuotteessa tai tuotteen asiakirjoissa oleva merkki  osoittaa, että laitetta ei saa käsitellä kotitalousjätteenä. Sen sijaan se on toimitettava sopivaan sähkö- ja elektroniikkalaiteromulle tarkoitettuun keräyspisteeseen. Jätteiden hävittämisessä on noudatettava asiaa koskevia paikallisia ympäristönsuojelumääräyksiä.

Lisätietoja tuotteen käsittelystä, keräämisestä ja kierrätyksestä voit pyytää jätehuollosta vastaavilta paikallisilta viranomaisilta, jätehuoltoyritykseltä tai liikkeestä, josta ostit tuotteen.

Laitte on suunniteltu, testattu ja valmistettu seuraavien standardien mukaisesti:

- Turvallisuus: EN/IEC 60335-1; EN/IEC 60335-2-31, EN/IEC 62233.
- Suorituskyky: EN/IEC 61591; ISO 5167-1; ISO 5167-3; ISO 5168; EN/IEC 60704-1; EN/IEC 60704-2-13; ISO 3741; EN 50564; IEC 62301.
- EMC: EN 55014-1; CISPR 14-1; EN 55014-2; CISPR 14-2; EN/IEC 61000-3-2; EN/IEC 61000-3-3.

Ehdotuksia tuotteen käyttämiseksi tavalla, joka vähentää sen ympäristövaikutuksia: Kytke liesituuletin PÄÄLLE miniminopeudella aloittaessasi ruoanlaiton ja anna sen käydä muutama minuutti sen jälkeen, kun olet lopettanut ruoanlaiton. Nosta nopeutta ainoastaan, jos käryä ja höyryä on paljon, ja käytä lisätehonopeutta (-nopeuksia) vain äärimmäisissä tilanteissa. Vaihda hiilisuoatatin (-suodattimet) tarvittaessa hyvän hajujen poistotehokkuuden ylläpitämiseksi. Puhdista rasvasuoatatin (-suodattimet) tarvittaessa hyvän rasvan suodatustehokkuuden ylläpitämiseksi. Käytä tässä oppaassa mainittua imujärjestelmän enimmäishalkaisijaa poistotehon optimoimiseksi ja melun minimoimiseksi.

Asennusta koskevia lisätietoja:

Käytä asennuksessa ainoastaan tuotteen mukana toimitettuja kiinnitysruuveja, tai jos toimitukseen ei sisälly ruuveja, osta oikeantyyppiset ruuvit. Käytä oikeanpituisia ruuveja, pituus on ilmoitettu asennusohjeissa.

Jos et ole varma, ota yhteyttä valtuutettuun huoltokeskukseen tai vastaavaan pätevään tahoon.

VAROITUS! Jos ruuveja ei asenneta tai laitetta kiinnitetä tämän ohjeen mukaisesti, seurauksena voi olla sähkötapaturmia.

KÄYTTÖ

Liesituuletin on suunniteltu käytettäväksi joko käryt poistavana tai suodattavana versiona.



Poistava versio

Käryt siirretään rakennuksen ulkopuolelle erityistä putkea pitkin, joka on liitetty liesituulettimen yläosassa olevalla liitäntärenkaalla.

Huomautus! Poistoputkea ei toimiteta, ja se täytyy ostaa erikseen. Poistoputken halkaisijan on vastattava liitäntärenkaan halkaisijaa.

Vaakasuurilla osuiksilla poistoputken on oltava hieman kalteva (noin 10°) ja suunnattu ylöspäin, jotta ilma poistuisi tehokkaasti huoneesta.

Huomautus! Jos liesituuletin toimitetaan aktiivihiilisuoatattimen kanssa, silloin se täytyy poistaa.

Liitä liesituuletin ja seinällä olevat poistoaukot halkaisijaltaan yhtä suureen ilman poistoaukkoon (liitäntälaippa).

Käytettäessä putkia ja seinällä olevia poistoaukkoja, joiden halkaisijat ovat pienemmät, seurauksena on imutehon heikkeneminen ja voimakas melun lisääntyminen.

Emme vastaa millään tavoin tällaisten ratkaisujen seurauksista.

! Käytä mahdollisimman lyhyttä hormia.

! Käytä kanavaa niin vähillä käyrillä kuin mahdollista (suurin käyriskulma: 90°)

! !Vältä jyrkkiä muutoksia hormin poikkileikkauksessa.

! Käytä hormia, joka on sisältä niin sileä kuin mahdollista.

! Hormin on oltava valmistettu sertifioidusta materiaalista.



Suodatinversio

Versioon tarvitaan yksi aktiivihiiisuodatin, joka on saatavana tavalliselta jälleenmyyjältäsi.

Suodatin poistaa rasvan ja hajut imetystä ilmasta ja syöttää sen sitten takaisin huoneeseen ylempään poistoritilän kautta.

ASENNUS

Keittotasolla olevien keittoastioiden tukipinnan ja liesituulettimen alhaisimman osan välinen pienin etäisyys ei saa olla alle 50 cm sähkökeittotasojen ja 65 cm kaasui- tai monitoimikeittotasojen kohdalla.

Jos kaasukeittotasoa asennusohjeissa on määritetty suurempi etäisyys, sitä on noudatettava.



Sähköliitäntä

Verkkovirran täytyy vastata liesituulettimen sisäpuolella sijaitsevalla levyllä osoitettua arvoa. Jos laite on varustettu pistokkeella, liitä liesituuletin asennuksen jälkeen määräystenmukaiseen pistorasiaan, johon pääsee helposti käsiksi. Jos asennuksen jälkeen laitetta ei ole kiinnitetty pistokkeen kanssa (suora sähköverkon liitäntä), tai jos pistoke ei sijaitse luoksepäästävällä alueella, käytä standardien mukaista kaksinapaista kytkintä, mikä varmistaa sähköverkon täyden irrotuksen asennusohjeiden mukaisesti olosuhteissa, jotka liittyvät ylivirtaluokkaan III.

Varoitus! Ennen kuin liität liesituulettimen uudelleen verkkovirtaan ja tarkastat, toimiiko se tehokkaasti, tarkasta aina, että virtajohto on asennettu oikein.

Liesituuletin on varustettu erikoisvirtajohdolla; jos johto on vaurioitunut, tilaa uusi teknisestä palvelusta.

Asennus

Erittäin painava tuote; liesituulettimen käsittelyyn ja asennukseen vaaditaan aina vähintään kaksi henkilöä. Ennen kuin aloitat asennuksen:

- Tarkasta, että ostettu tuote on sopivan kokoinen asennuspaikkaan.
- Poista hiiisuodattimet (*), jos sellaiset sisältyvät toimitukseen (katso myös vastaava luku). Se/ne on asennettava ainoastaan, jos haluat käyttää liesituuletinta suodattavana versiona.
- Tarkasta, ettei liesituulettimen sisällä ole (kuljetusyistä) mitään muuta materiaalia (esim. ruuvipaketteja (*), takuupapereita (*), jne.), jotka on mahdollisesti poistettava ja säilytettävä.
- Mikäli mahdollista, irrota ja poista erillinen tai siirrettävissä oleva liesi keittiökaluksen aukosta, jotta takaseinään/kattoon pääsisi paremmin käsiksi. Laita muussa tapauksessa työtason, keittotason tai liedien päälle paksu suojapeite sen suojaamiseksi vaurioitumiselta ja lialta. Valitse tasainen pinta laitteen kokoamiseksi, Peitä pinta suojapeiteellä ja aseta kaikki liesituulettimen osat ja kiinnityskappaleet sen päälle.
- Tarkasta myös, onko liesituulettimen asennusalueen lähellä (alueella, johon pääsee käsiksi myös liesituulettimen ollessa asennettuna) käytettävissä pistorasia, ja voidaanko ulkopuolelle liittää kärnypoistolaitte (vain imevä malli).
- Tee vaadittavat asennustyöt (esim. pistorasian asentaminen ja/tai reiän tekeminen poistoputkea varten vaadittavalle kanavalle).

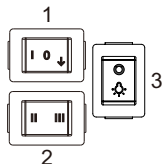
Laajennuseinänpistokkeet on tarkoitettu kiinnittämään liesituulettimen useimman tyyppisiin seiniin/välikattoihin. Kuitenkin pätevä teknikon on varmistettava, että materiaalit soveltuvat kyseessä oleville seinä-/kattotyypeille käytettäviksi. Seinän/välikaton täytyy olla riittävän vahva kantamaan liesituulettimen paino. Älä kiinnitä laitetta seinään laatoilla, laastilla tai silikonilla. Vain pinta-asennus.

KÄYTTÖ

Käytä voimakasta imutehoa, jos keittiössä on voimakasta käryä. Suosittelemme käynnistämään liesituulettimen 5 minuuttia ennen ruoanlaittoa ja jättämään sen käyntiin ruoanlaiton ajaksi sekä vielä noin 15 minuutiksi ruoanlaiton lopettamisen jälkeen. Alla on kuvattu kolme käyttötapaa.

KEINUVIPUKYTKIN

Liesituuletinta ohjataan (kolmella) kytkimellä, jotka sijaitsevat molemmilla puolilla. Ne näkyvät, kun teleskooppietuosa vedetään ulos. Liesituulettimessa on rajakytkin. Aina kun teleskooppietuosa vedetään ulos, liesituuletin käynnistyy aiemmin säädetylle nopeudelle.



- 0 – Sammuta liesituuletin.
I – liesituuletin toimii nopeustasolla 1.
↓ – vaihto moottorin nopeudelle II tai III.
- II – liesituuletin toimii nopeustasolla 2 (kun kytkin 1 on asennossa ↓) .
III – liesituuletin toimii nopeustasolla 3 (kun kytkin 1 on asennossa ↓) .
- O / -O- – Valo PÄÄLLÄ / POIS PÄÄLTÄ.

Painikkeella -O- kytketään valo PÄÄLLE tai POIS. Liesituulettimen valo toimii liesituulettimen moottorista riippumatta. Painamalla -O- liesituulettimen moottori ei käynnisty.

Kun etupaneeli palautetaan suljettuun asentoon, rajakytkin sammuttaa liesituulettimen moottorin sekä valon.

Jos liesituulettimen moottori ja valo ovat jo PÄÄLLÄ, liesituulettimen moottori käynnistyy ja valo syttyy, kun etupaneeli vedetään ulos.

PAINIKEOHJAUS



- ① – Liesituuletin PÄÄLLE / POIS PÄÄLTÄ. Kun painiketta painetaan, liesituuletin käynnistyy nopeustasolla 1.
- ☞ – Painamalla nopeuden 2 painiketta moottori käynnistyy nopeudella 2.
- ☞ – Painamalla nopeuden 3 painiketta moottori käynnistyy nopeudella 3.
- O- – Valopainike kytkee valon PÄÄLLE. Sammuta valo painamalla sitä uudelleen.

KOSKETUSOHJAUS



- ① – Painamalla virtapainiketta siirryt moottorin nopeuksien valintaan.
- ☞ – Painamalla nopeuden 1 painiketta moottori käynnistyy nopeudella 1.
- ☞ – Painamalla nopeuden 2 painiketta moottori käynnistyy nopeudella 2.
- ☞ – Painamalla nopeuden 3 painiketta moottori käynnistyy nopeudella 3.
- O- – Painamalla valopainiketta valo kytkeytyy PÄÄLLE. Sammuta valo painamalla sitä uudelleen.

HUOLTO

HUOMIO! Ennen kuin suoritat laitteelle mitään huoltotoimenpiteitä, erota liesituuletin sähkönsyötöstä kytkemällä se pois päältä kytkimellä ja poistamalla kytkimen sulake.

Tai jos laite on kytketty pistokkeen ja pistorasian kautta, pistoke on irrotettava pistorasiasta.

Puhdistus

Liesituuletin täytyy puhdistaa säännöllisesti (vähintään samalla tiheydellä kuin suoritat rasvasuodattimien huollon) sisäisesti ja ulkoisesti. Puhdista liinalla, joka on kostutettu neutraalilla nestemäisellä pesuaineella. Älä käytä hankaavia tuotteita. **ÄLÄ KÄYTÄ ALKOHOLIA!**

VAROITUS: Jos liesituulettimen puhdistamista ja suodattimien vaihtoa koskevia perussuosituksia ei noudateta asianmukaisesti, voi seurauksena olla tulipalon vaara. Suosittelemme siis noudattamaan ohjeita. Valmistaja ei ota minkäänlaista vastuuta moottorin vaurioitumisesta tai tulipalosta johtuvista vaurioista, jotka ovat seurausta epäasianmukaisesta huollosta tai turvallisuusohjeiden noudattamatta jättämisestä.

Suodattimet

Metallinen rasvasuodatin kokoaa paistorasvan hiukkaset. Rasvasuodatin on puhdistettava kerran kuukaudessa miedolla pesuaineella, joko käsin tai astianpesukoneessa, johon on asetettava alhainen lämpötila ja lyhyt pesuohjelma. Pestäessä astianpesukoneessa rasvasuodatin voi värjäytyä, mutta tämä ei vaikuta sen suodatuskykyyn. Irrota rasvasuodatin vetämällä jousen vapautuskahvasta.

Hiilisuodatin (vain suodatinmalli) imee ruoanlaitossa syntyvät epämiellyttävät hajut. Suodatin kyllästyy epäpuhtauksilla pidempiaikaisen käytön jälkeen, riippuen ruoanlaittovasta ja siitä, kuinka usein rasvasuodatin puhdistetaan. Panos on kuitenkin vaihdettava vähintään neljän kuukauden välein. Hiilisuodatinta WI voi pestä tai puhdistaa.

Lamppujen vaihtaminen

Liesituuletin on varustettu LED-teknologiaan perustuvalla valojärjestelmällä. LEDit takaavat optimaalisen valaistuksen, ja ne kestävät jopa 10 kertaa pidempään kuin perinteiset lamput ja mahdollistavat jopa 90 prosentin sähkön säästön.

HUOMIO!

Ota yhteys tekniseen tukeen kun lamput on vaihdettava.

Energiansäästövihteitä

- 1) Kun aloitat ruoanlaiton, kytke liesituuletin miniminopeudelle syntyvän kosteuden ja hajujen poistamiseksi.
- 2) Nosta liesituulettimen nopeutta ainoastaan, jos käryjen määrä vaatii sitä.
- 3) Pidä liesituulettimen suodatin (suodattimet) puhtaana rasvan- ja hajunpoiston tehokkuuden optimoimiseksi.

Veillez suivre scrupuleusement les instructions de cette notice. Le constructeur décline toute responsabilité pour tout inconvénient, dommage ou incendie résultant du non-respect des consignes figurant dans ce manuel. La hotte est prévue pour aspirer les fumées et vapeurs de cuisson et elle est destinée exclusivement à un usage ménager.

La hotte peut avoir un aspect différent de celui qui est représenté dans les illustrations de ce mode d'emploi, cependant les instructions pour l'utilisation, l'entretien et l'installation restent identiques.

- ! Conservez ce manuel pour pouvoir le consulter à tout moment. En cas de vente, de cession ou de déménagement, veillez à ce qu'il reste avec l'appareil.
- ! Lisez attentivement cette notice : elle comporte des informations importantes sur l'installation, l'utilisation et la sécurité.
- ! N'effectuez pas de modifications électriques ou mécaniques sur l'appareil ou sur le conduit d'évacuation.
- ! Avant d'installer l'appareil, vérifiez qu'aucun élément n'est endommagé. Si c'était le cas, contactez votre revendeur et ne procédez pas à l'installation.

Note : les éléments pourvus d'un astérisque (*) sont des accessoires optionnels fournis uniquement avec certains modèles ou des pièces non fournies qui doivent être achetées à part.



MISE EN GARDE

ATTENTION ! Ne raccordez pas l'appareil au circuit électrique tant que l'installation n'est pas complètement terminée.

Avant toute opération de nettoyage ou d'entretien, mettez la hotte hors tension en débranchant la prise secteur ou, en cas de raccordement permanent, en désarmant le disjoncteur.

Mettez des gants de protection avant d'effectuer toute opération d'installation et d'entretien.

Cet appareil n'est pas prévu pour les enfants ou les personnes à capacités physiques, sensorielles ou mentales réduites ou manquant d'expérience et de connaissances. Elles ne pourront l'utiliser que sous la surveillance d'un adulte responsable de leur sécurité et après avoir été mises au courant de son fonctionnement.

La hotte est prévue pour des adultes. Surveillez les enfants afin qu'ils ne jouent pas avec l'appareil ou avec ses commandes. Ne mettez jamais la hotte en marche si la grille n'est pas bien en place.

Ne déposez AUCUN objet sur la hotte sauf si cela est expressément autorisé.

Quand la hotte fonctionne en même temps que d'autres appareils à gaz ou autres combustibles, la cuisine doit disposer d'une ventilation suffisante.

L'air aspiré par la hotte ne doit jamais être expulsé dans le conduit d'évacuation des fumées de combustion dégagées par des appareils fonctionnant au gaz ou autres combustibles.

Il est formellement interdit de flamber les aliments sous la hotte.

Évitez de laisser brûler une flamme nue sous la hotte, car cela peut endommager les filtres et provoquer un incendie.

Surveillez vos fritures en permanence, car la graisse ou l'huile surchauffée peut prendre feu.

Les parties accessibles de la hotte peuvent devenir assez chaudes quand les appareils de cuisson sont en marche.

En ce qui concerne les mesures techniques de sécurité pour l'évacuation des fumées, respectez strictement les réglementations et normes en vigueur dans votre pays.

La hotte doit être régulièrement nettoyée, aussi bien à l'intérieur qu'à l'extérieur (AU MOINS UNE FOIS PAR MOIS), et ceci en respectant les instructions d'entretien fournies dans ce manuel. Le non-respect des consignes concernant le nettoyage de la hotte ainsi que le remplacement et le nettoyage des filtres peut entraîner un risque d'incendie.

Afin d'éviter tout risque de choc électrique, n'utilisez pas la hotte si les lampes ne sont pas bien en place.

Nous déclinons toute responsabilité pour tout dysfonctionnement, dommage ou incendie résultant du non-respect des consignes figurant dans cette notice.



Ce symbole  figure sur le produit ou sur son emballage en application de la directive européenne 2002/96/CE sur les Déchets d'Équipement Électrique et Électronique (DEEE). Cette directive sert de règlement cadre à la reprise, au recyclage

et à la valorisation des appareils usagés dans toute l'Europe. Ce produit doit donc faire l'objet d'une collecte sélective. Lorsque vous ne l'utiliserez plus, remettez-le à un service de ramassage spécialisé ou à une déchèterie qui traite les DEEE ; vous contribuerez ainsi à éviter des conséquences néfastes pour la santé et l'environnement. Pour tout renseignement sur la mise au rebut et le recyclage de ce produit, veuillez contacter la mairie ou le service de la propreté de votre commune, ou encore le magasin dans lequel vous l'avez acheté.

Cet appareil a été développé, testé et fabriqué conformément aux normes suivantes :

- Sécurité : EN/IEC 60335-1; EN/IEC 60335-2-31, EN/IEC 62233.
- Performances : EN/IEC 61591; ISO 5167-1; ISO 5167-3; ISO 5168; EN/IEC 60704-1; EN/IEC 60704-2-13; ISO 3741; EN 50564; IEC 62301.
- Compatibilité électromagnétique : EN 55014-1; CISPR 14-1; EN 55014-2; CISPR 14-2; EN/IEC 61000-3-2; EN/IEC 61000-3-3.

Suggestions pour une utilisation correcte afin de réduire l'impact sur l'environnement : mettez la hotte en marche à la vitesse minimale lorsque vous commencez à cuisiner et laissez-la fonctionner quelques minutes après la fin de la cuisson. Augmentez la vitesse uniquement en cas de fumée et de vapeur importantes et n'utilisez la fonction booster que dans des situations extrêmes. Remplacez le ou les filtre(s) à charbon quand cela est nécessaire pour que les odeurs soient éliminées. Nettoyez le(s) filtre(s) à graisse quand cela est nécessaire pour maintenir son/leur efficacité. Concernant la gaine d'évacuation, choisissez le diamètre maximum indiqué dans ce manuel pour optimiser l'efficacité et minimiser le bruit.

Consignes supplémentaires pour l'installation

Pour l'installation, utilisez uniquement les vis de fixation fournies avec le produit ou, à défaut, achetez des vis appropriées. Elles doivent avoir la longueur indiquée dans le Guide d'installation.

En cas de doute, consultez le service après-vente agréé ou une personne qualifiée.

ATTENTION ! Si les vis ou le dispositif de fixation ne sont pas installés conformément à ces instructions, cela peut entraîner des risques électriques.

UTILISATION

La hotte peut fonctionner en mode évacuation ou en mode recyclage.



Version évacuation

Dans ce cas, les vapeurs de cuisson sont expulsées vers l'extérieur à travers un tuyau d'évacuation qui est fixé à un raccord cylindrique monté sur la partie supérieure de la hotte.

Attention ! Le tuyau d'évacuation n'est pas fourni et doit être acheté à part. Son diamètre doit être égal à celui du raccord cylindrique.

Sur son parcours horizontal, le tuyau doit être légèrement incliné vers le haut (10° environ) de façon à expulser l'air plus facilement vers l'extérieur.

Attention ! Si la hotte est équipée d'un filtre à charbon, il faudra le retirer.

Le tuyau d'évacuation raccordé à la hotte et les trous percés dans les murs pour le passage du tuyau doivent avoir le même diamètre que la sortie d'air. S'ils ont un diamètre inférieur, cela entraînera une diminution des performances d'aspiration et une nette augmentation du bruit. Nous déclinons toute responsabilité à cet égard.

! Le tuyau ne doit pas être plus long que nécessaire.

! Les coudes du tuyau doivent être les moins nombreux possibles (angle maximum du coude : 90°).

! Évitez les variations excessives de la section du tuyau.

! Utilisez un tuyau le plus lisse possible sur sa partie interne.

! Le matériau du tuyau doit être conforme aux normes.



Version recyclage

Il convient d'utiliser un filtre à charbon actif, disponible auprès de votre revendeur habituel.

L'air aspiré sera dégraissé et désodorisé avant d'être refoulé dans la pièce à travers la grille supérieure.

INSTALLATION

La hotte ne doit pas être installée à moins de 50 cm au-dessus d'une table de cuisson électrique et à moins de 65 cm d'une table à gaz ou mixte.

Si la notice d'utilisation d'une cuisinière ou d'une table de cuisson à gaz prévoit une distance supérieure, il faudra suivre ces recommandations.



Raccordement électrique

La tension et la fréquence du réseau électrique de votre habitation doivent correspondre à la tension et à la fréquence indiquées sur la plaque signalétique apposée à l'intérieur de l'appareil. Si la hotte comporte un cordon secteur, enfoncez fermement la fiche dans une prise murale qui devra être conforme aux réglementations et normes en vigueur ; cette prise devra demeurer accessible après l'installation. Si la hotte n'est pas équipée d'un cordon secteur, ou si la prise murale ne se trouve pas dans une zone accessible après installation, l'appareil devra être raccordé directement au réseau électrique ; il faudra alors, conformément aux règles de l'art, prévoir un disjoncteur bipolaire normalisé, capable de séparer complètement l'appareil du circuit électrique en cas de surtension de catégorie III.

Attention : avant de reconnecter la hotte au réseau électrique et de contrôler son bon fonctionnement, vérifiez toujours que le câble d'alimentation est installé correctement.

La hotte est pourvue d'un câble d'alimentation spécial ; s'il est endommagé, il faudra en commander un neuf auprès du service après-vente.

Pose

L'appareil est très lourd ; il faut prévoir au moins deux personnes pour le manipuler et l'installer.

Avant de commencer l'installation :

- Vérifiez que le produit acheté a les dimensions adéquates pour être installé à l'emplacement choisi.
- Enlevez le(s) filtre(s) à charbon actif (*) s'ils sont fournis (voir également le chapitre "Entretien"). Il faudra les remettre en place uniquement si l'on utilise la hotte en mode recyclage.
- Vérifiez qu'il ne reste pas de petit matériel à l'intérieur de la hotte (sachet de vis (*), carte de garantie (*), etc. Si c'est le cas, retirez-les et conservez-les.
- Enlevez si possible les meubles qui encadrent la hotte et se trouvent au-dessous d'elle afin d'accéder plus facilement au mur ou au plafond où elle sera fixée. Si ce n'est pas possible, étalez une toile épaisse sur la table de cuisson, le plan de travail et les meubles adjacents pour les protéger des dégâts éventuels et des salissures. Choisissez une surface plane pour assembler l'appareil. Couvrez cette surface d'une protection, puis placez-y la hotte et toutes les pièces fournies.
- Vérifiez s'il existe, à proximité de l'emplacement destiné à la hotte, une prise de courant qui restera accessible quand l'appareil sera installé. Assurez-vous également qu'il est possible de raccorder la hotte à une gaine d'évacuation débouchant à l'extérieur de l'habitation (uniquement si vous voulez utiliser l'appareil en mode évacuation).
- Réalisez tous les travaux préparatoires (installation d'une prise secteur, perçage d'un trou pour le passage du tuyau d'évacuation des vapeurs).

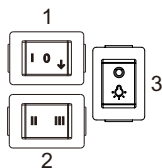
La hotte est livrée avec des chevilles à expansion permettant de la fixer solidement à la plupart des murs et plafonds. Il est cependant conseillé qu'un technicien qualifié vérifie si les chevilles et vis sont appropriées pour votre mur/plafond. Le mur ou le plafond doit être suffisamment solide pour supporter le poids de la hotte. Ne carrez pas la hotte et n'y posez pas de joint en silicone ou autre matière ; elle doit être simplement fixée au mur.

FUNCTIONNEMENT

En cas de concentration de vapeurs dans la cuisine, utilisez la vitesse d'aspiration maximale. Il est recommandé de mettre la hotte en marche 5 minutes avant la cuisson et de l'arrêter 15 minutes après la fin de la cuisson. Trois types d'opération sont décrits ci-dessous.

COMMUTATEURS À BASCULE

Le fonctionnement de la hotte est commandé par (trois) commutateurs situés de chaque côté. Ils sont visibles lorsque vous tirez le tiroir vers l'avant. La hotte télescopique est équipée d'un interrupteur fin de course. Chaque fois que vous tirez le tiroir, la hotte démarre à la vitesse réglée précédemment.



- 0 – Hotte à l'arrêt.
I – La hotte fonctionne à la vitesse 1.
↓ – Pour faire passer le moteur à la vitesse II ou III.
- II – La hotte fonctionne à la vitesse 2 (si le commutateur 1 est sur la position ↓).
III – La hotte fonctionne à la vitesse 3 (si le commutateur 1 est sur la position ↓).
- 0 / I / II – MARCHE/ARRÊT de l'éclairage

Le bouton I / II / III sert à ALLUMER ou ÉTEINDRE l'éclairage. Ce dernier fonctionne indépendamment du moteur de la hotte. En appuyant sur I / II / III vous ne ferez pas démarrer le moteur de la hotte.

Lorsque vous ramenez le tiroir en position fermée, l'interrupteur fin de course arrête le moteur de la hotte et éteint également l'éclairage.

Si le moteur de la hotte et le commutateur d'éclairage sont déjà en position MARCHE, le moteur démarre et l'éclairage s'allume lorsque vous tirez le tiroir.

TOUCHES DE COMMANDE



- ① – Touche MARCHE/ARRÊT. Lorsque vous appuyez sur cette touche, la hotte se met en marche à la vitesse 1.
- ☞ – Appuyez sur la touche Vitesse 2 pour faire démarrer le moteur à la vitesse 2.
- ☞ – Appuyez sur la touche Vitesse 3 pour faire démarrer le moteur à la vitesse 3.
- ☞ – Touche Éclairage pour ALLUMER la lumière. Pour l'ÉTEINDRE, appuyez de nouveau sur cette touche.

COMMANDES TACTILES



- ① – Appuyez d'abord sur la touche MARCHE/ARRÊT pour pouvoir sélectionner la vitesse du moteur.
- ☞ – Appuyez sur la touche Vitesse 1 pour faire démarrer le moteur à la vitesse 1.
- ☞ – Appuyez sur la touche Vitesse 2 pour faire démarrer le moteur à la vitesse 2.
- ☞ – Appuyez sur la touche Vitesse 3 pour faire démarrer le moteur à la vitesse 3.
- ☞ – Appuyez sur la touche Éclairage pour ALLUMER la lumière. Pour l'ÉTEINDRE, appuyez de nouveau sur cette touche.

ENTRETIEN

ATTENTION : avant toute opération de nettoyage ou d'entretien, mettez l'appareil hors tension en débranchant le cordon secteur ou, en cas de raccordement permanent, en désarmant le disjoncteur, ou encore en retirant le fusible.

Nettoyage

La hotte doit être nettoyée régulièrement à l'intérieur et à l'extérieur (au moins à la même fréquence que les filtres à graisse). Utilisez pour cela une éponge douce et un détergent liquide neutre. Évitez tout produit abrasif. **N'UTILISEZ PAS D'ALCOOL** !

ATTENTION : si vous n'observez pas les recommandations concernant le nettoyage de la hotte et le remplacement des filtres, vous pouvez vous exposer à un risque d'incendie.

La responsabilité du constructeur ne peut en aucun cas être engagée dans le cas de dommages au moteur ou d'incendie résultant d'un entretien négligeant ou du non-respect des consignes de sécurité précédemment mentionnées.

Filtres

Le filtre métallique à graisse retient les particules grasses provenant de la cuisson. Ce filtre doit être nettoyé une fois par mois avec un détergent non agressif, à la main ou dans le lave-vaisselle en sélectionnant un programme court à température modérée. Le nettoyage en lave-vaisselle peut décolorer le filtre à graisse, mais ceci n'altère nullement son efficacité. Pour enlever le filtre à graisse, tirez la petite poignée à ressort.

Le filtre à charbon actif (version recyclage uniquement) neutralise les odeurs désagréables de cuisson. Il est saturé au bout d'une longue durée d'utilisation, en fonction du type de cuisson que vous pratiquez et de la régularité du nettoyage du filtre à graisse. Dans tous les cas, il faut remplacer la cartouche au moins tous les 4 mois. Le filtre à charbon ne DOIT PAS être lavé ou régénéré.

Remplacement des lampes

La hotte est équipée de lampes à LED qui garantissent un éclairage optimal, durent dix fois plus longtemps que les ampoules traditionnelles et permettent d'économiser 90% d'électricité.

Lorsque vous les remplacez, choisissez exclusivement des ampoules LED avec un culot E14.

ATTENTION !

Pour le remplacement, s'adresser au service d'assistance technique.

Conseils pour les économies d'énergie

- 1) Lorsque vous commencez à cuisiner, mettez la hotte en marche à la vitesse minimale afin d'éliminer les vapeurs et les odeurs de cuisson.
- 2) Augmentez la vitesse d'aspiration uniquement en cas de fumées et de vapeurs importantes ;
- 3) Maintenez les filtres en bon état de propreté pour qu'ils capturent avec efficacité les fumées et les odeurs.

Strogo se pridržavajte uputa koje donosi ovaj priručnik. Proizvođač otklanja bilo kakvu odgovornost za eventualne nezgode, štete ili požar, do kojega bi moglo doći zbog nepoštivanja uputa koje donosi ovaj priručnik. Kuhinjska napa je projektirana za odvođenje dima i pare koji nastaju tijekom kuhanja, i namijenjena je isključivo za kućansku uporabu.

Izgled nape može se razlikovati od skica i crteža u ovoj knjižici. Bez obzira na to, upute za uporabu, održavanje i montažu ostaju nepromijenjena.

- ! Važno je sačuvati ovaj priručnik kako biste ga mogli konzultirati u svakom trenutku. U slučaju da prodate ovaj proizvod, poklonite ili da se preselite, uvjerite se da on bude uvijek zajedno sa proizvodom.
- ! Pažljivo pročitajte uputstva: u njima se nalaze važne informacije o instalaciji, uporabi i sigurnosti.
- ! Nemojte izvršavati nikakve mehaničke ili električne varijacije (izmjene), odnosno zahvate na proizvodu ili na odvodnim cijevima za izbacivanje pare.
- ! Prije instalacije aparata provjerite da li ste primili sve komponente neoštećene. Ako otkrijete da je neki sastavni dio oštećen, pozovite svog trgovca, a aparat nemojte instalirati.

Napomena: Pojediniosti koje su označene znakom "*" su opcionalni pribor koji je priložen samo određenim modelima, ili je na raspolaganju kao dodatna oprema, koja nije priložena k aparatu.



POZOR!

Pozor! Ne priključujte aparat na električnu mrežu sve dok niste kompletno završili sa instaliranjem.

Prije bilo kakvog čišćenja ili održavanja, iskopčajte kuhinjsku napu iz električne mreže vadeći utikač ili isključujući opći kućni prekidač/sklopku, odnosno osigurač.

Tijekom svih radova na instalaciji i montaži te održavanju nape, uvijek nosite zaštitne rukavice.

Ovaj aparat nije namijenjen uporabi od strane djece ili osoba koje imaju smanjene fizičke, mentalne ili osjetne sposobnosti, i kojima nedostaje iskustva i saznanja, osim ako nisu pod nadzorom osoba koje su odgovorne za njihovu sigurnost, koje će ih poučiti o sigurnoj rabi aparata.

Aparat je namijenjen odraslim osobama. Trebate paziti na malu djecu i nemojte im dozvoliti da se igraju aparatom.

Aparat je namijenjen odraslim osobama. Nemojte dozvoliti djeci da se igraju s upravljačkim elementima aparata ili sa samim aparatom.

Na upotrebljavajte nikada kuhinjsku napu ako pregrada ili mrežica na njoj nije pravilno montirana!

Ne upotrebljavajte NIKADA napu kao podlogu na koju ćete polagati predmete ukoliko to nije jasno naglašeno.

Prostorija treba imati dovoljno provjetranje, kada se kuhinjska napa koristi istovremeno s drugim aparatima u kojima sagorijeva zemni plin ili neko drugo gorivo.

Sustav za odvajanje hlapova iz ovog aparata ne smije biti proveden u cijev koja se koristi za izbacivanje dimova koje proizvode ostali aparati, koji za svoj rad koriste plin ili neko drugo gorivo.

Strogo se zabranjuje flambiranje, odnosno uporaba otvorenog plamena za pripremanje hrane ispod nape.

Korištenje nekontroliranog otvorenog plamena je štetno za filtre te može izazvati požar, te bi ga u svakom slučaju trebalo izbjegavati.

Držite pod kontrolom postupak pri prženju kako biste izbjegli da se pregrijano ulje zapali.

Neki dijelovi se mogu znatno zagrijati kada se koriste zajedno sa aparatima za kuhanje.

Što se tiče tehničkih mjera kojih se treba pridržavati s obzirom na dimove, strogo se pridržavajte pravilnika nadležnih lokalnih vlasti.

Kuhinjsku napu treba često i redovito čistiti i prati i izvana i iznutra (BAREM JEDANPUT NA MJESEK).

Napu čistite u skladu sa svime što je navedeno u uputstvima za održavanje koje donosi ovaj priručnik. Nepoštivanje propisa o čišćenju nape i zamjene i čišćenja filtra povećava opasnost od požara.

Ne upotrebljavajte niti ne ostavljajte kuhinjsku napu, a da niste pravilno montirali osvjetljenje, jer postoji rizik od električnog udara.

Proizvođač otklanja bilo kakvu odgovornost radi eventualnih nepravilnosti, štete ili požara koje bi mogao izazvati aparat ili koji bi nastali na aparatu, a koje proizlaze iz nepoštivanja uputstava koje donosi ovaj priručnik.

Ovaj aparat je označen u skladu s Europskom Direktivom 2002/96/EC o otpadnoj električnoj i elektronskoj opremi (Waste Electrical and Electronic Equipment - WEEE). Provjerite jeste li proizvod otpremili na otpad i zbrinuli u skladu s lokalnim propisima, čime ćete doprinijeti k sprječavanju i otklanjanju eventualnih negativnih posljedica za životnu sredinu i za zdravlje ljudi.



Simbol na proizvodu ili na njegovoj ambalaži označuje da s tim proizvodom ne smijete postupati kao s ostalim kućanskim otpadom. Umjesto toga, uređaj je potrebno uručiti prikladnim zbirnim mjestima za recikliranje električne i elektroničke opreme. Ispravnim zbrinjavanjem odsluženog uređaja pridonosite sprječavanju negativnih posljedica za životnu sredinu i zdravlje ljudi, koje bi se inače mogle pojaviti u slučaju neodgovarajućeg rukovanja otpadom ovog proizvoda. Za detaljnije informacije o recikliranju ovog proizvoda molimo vas da kontaktirate lokalne vlasti, komunalnu službu za odvoz kućanskog otpada ili prodavaonicu u kojoj ste kupili proizvod.

Aparat je dizajniran, ispitan i izrađen u skladu sa sljedećim standardima odnosno propisima:

- Sigurnost: EN/IEC 60335-1; EN/IEC 60335-2-31, EN/IEC 62233.
- Učinkovitost djelovanja: EN/IEC 61591; ISO 5167-1; ISO 5167-3; ISO 5168; EN/IEC 60704-1; EN/IEC 60704-2-13; ISO 3741; EN 50564; IEC 62301.
- EMC (elektromagnetska kompatibilnost): EN 55014-1; CISPR 14-1; EN 55014-2; CISPR 14-2; EN/IEC 61000-3-2; EN/IEC 61000-3-3.

Preporuke za pravilnu uporabu da bi smanjili utjecaj na okoliš: UPUTITE napu u rad na minimalnoj brzini kada započinjete s kuhanjem. Ostavite je da radi još nekoliko minuta nakon što ste završili s kuhanjem. Brzinu odnosno stupanj rada povećajte samo u slučaju veće količine dima i pare, a izrazito jak stupanj rada, odnosno visoku brzinu koristite isključivo u krajnjim slučajevima. Po potrebi zamijenite ugljene filtre (odnosno ugljeni filter), kako biste sačuvali dobru učinkovitost odstranjivanja neprijatnih mirisa. Po potrebi očistite filtre za masnoću (odnosno filter za masnoću), kako biste sačuvali njihovu učinkovitost. Koristite odvodne cijevi s najvećim promjerom, navedenim u ovom priručniku, jer će tako učinkovitost biti optimalna, a buka minimalna.

Dodatne specifikacije u vezi instalacije nape:

Za instalaciju nape koristite samo vijke za pričvršćenje koji su priloženi k aparatu. Ako vijci nisu priloženi, trebate kupiti vijke odgovarajućeg tipa. Koristite pravilnu dužinu vijaka, u skladu s podatcima u Uputama za montažu.

Ako se dvoumite posavjetujte se s ovlaštenim servisierom, centrom za pomoć korisnicima, ili s nekom drugom odgovarajuće osposobljenom osobom.

UPOZORENJE! Ako vijke ili okove za pričvršćenje ne montirate u skladu s tim uputama može nastati opasnost električnog udara.

UPORABA

Napa je izrađena tako da se može koristiti bilo u odvodnoj ili u filterskoj verziji.



Odvodna verzija

U ovom se slučaju para i dim izbacuju vani uz pomoć posebne cijevi za odvod koja se pričvršćuje za spojnu priрубnicu na gornjem dijelu nape.

Upozorenje! Odvodna cijev nije priložena s opremom te se treba kupiti. Promjer odvodne cijevi treba biti jednak promjeru priključne priрубnice.

U vodoravnom dijelu, cijev se treba lagano podizati prema gore (otprilike 10°) na način da izbací što je lakše moguće zrak prema vani.

Pozor! Ako je kuhinjska napa opremljena karbonskim filterima, oni se trebaju ukloniti.

Povežite kuhinjsku napu i otvore u zidu za odvajanje dima odnosno plinova s istim promjerom otvora za zrak na napi (spojna priрубnica).

Korištenje cijevi i otvora za izbacivanje na zidu koje imaju manji promjer će smanjiti sposobnost usisavanja te će dovesti do znatnog povećanja buke.

Stoga otklanjamo bilo koju odgovornost u svezi s takvim slučajevima.

- ! Koristite odvodnu cijev koja treba biti što kraća.
- ! Kada instalirate odvodnu cijev gledajte da ima minimalni mogući broj pregiba. Najveći dozvoljeni kut zavoja iznosi 90°.
- ! Izbjegavajte drastične promjene veličine promjera cijevi.
- ! Koristite cijevi koje imaju što je moguće glađu unutrašnjost.
- ! Materijal od kojeg je napravljena cijev za odvod zraka treba biti odobren odgovarajućim certifikatima.



Filtarska varijanta

Za ovu varijantu treba vam ugljeni filtar, kojeg možete nabaviti u trgovini s kućanskim aparatima. Filtar će očistiti usisavani zrak od masnoća i mirisa, te će očišćenog ponovno vratiti u prostoriju kroz izlazne otvore na gornjoj strani aparata.

Postavljanje

Minimalna udaljenost između nosive podloge za posude na uređaju za kuhanje i najnižeg dijela kuhinjske nape ne smije biti niža od 50cm kada se radi o električnim štednjacima , a 65 cm u slučaju plinskih ili kombiniranih štednjaka.

Ukoliko uputstva za instalaciju aparata na plin govore da je potrebno održavati veću udaljenost, trebate ih se pridržavati.



Priključenje na električnu instalaciju

Napon električne mreže treba odgovarati specifikacijama napona koji je naveden na tipskoj pločici koja se nalazi u unutrašnjosti kuhinjske nape. Ukoliko je na priključnom kabelu utikač, povežite kuhinjsku napu preko utičnice koja zadovoljava važeće propise na snazi i koja je postavljena na pristupačnom mjestu čak i nakon instalacije.

Ako priključni kabel nije opremljen utikačem (direktno povezivanje s mrežom) ili utikač nije postavljen na pristupačnom mjestu nakon instalacije, treba ugraditi dvopolan prekidač koji je u skladu sa standardima i koji osigurava kompletno iskopčavanje aparata od električne mreže u uvjetima kategorije III o previsokom naponu , u skladu s pravilima o instalaciji.

Upozorenje! Prije nego što kuhinjsku napu ponovno priključite na električnu mrežu te provjerite pravilno funkcioniranje, uvijek provjerite je li priključni kabel bio pravilno montiran.

Način montaže

Aparat je vrlo težak. U postavljanju i rukovanju napom prilikom njene instalacije neka učestvuju barem dvije osobe.

Prije nego što počnete s postavljanjem:

- Provjerite da li proizvod koji ste kupili ima dimenzije koje odgovaraju mjestu koje ste odabrali za instalaciju.
- Uklonite aktivni karbonski filtar ukoliko je priložen (pogledati poglavlje koje se odnosi na to). Ugljene filtre treba montirati samo ukoliko koristite kuhinjsku napu u filtarskoj verziji.
- Provjerite da se u unutrašnjosti nape ne nalazi možda kakav materijal ili drugi predmeti (koji bi tamo mogli pasti tijekom prijevoza (primjerice vrećice s vijcima, garancijski list, itd.) , te ih po potrebi izvadite i sačuvajte.
- Ukoliko je moguće, iskopčajte i pomaknite slobodno stojeći štednjak ili namještaj koji je ispod ili u blizini zone na koju se postavlja kuhinjska napa kako bi se olakšao pristup stropu ili zidu na koji se postavlja napa. Ukoliko to nije moguće, preko površine za kuhanje ili preko štednjaka prebacite deblju zaštitnu prevlaku, kako bi zaštitili sve ono što bi moglo biti oštećeno prilikom postavljanja nape. Za sastavljanje aparata odaberite ravnu površinu i pokrijte je zaštitnim pokrivačem, na kojega stavite sve dijelove kuhinjske nape i materijal za njeno pričvršćivanje.
- Uvjerite se da se u blizini zone u kojoj ćete instalirati kuhinjsku napu (u zoni u kojoj je moguć pristup i kad ste završili s montiranjem nape) nalazi i utičnica za struju i da je moguće povezati se s instalacijom za odvajanje dimova na otvoreno (samo za usisnu verziju).
- Obavite sve potrebne zidarske radove (primjerice instaliranje električne utičnice i/ili otvora za prolazak ispušne cijevi).

Kuhinjska napa ima priložene zidne plastične uloške za pričvršćivanje koji su prikladni za skoro sve zidove ili stropove. Bez obzira na to, kvalificirani stručnjak treba utvrditi prikladnost materijala obzirom na vrstu zida ili stropa. Zid ili strop treba biti dovoljno čvrst kako bi podnio težinu kuhinjske nape.

Nemojte pokušavati ovaj aparat pričvrstiti na zid odnosno ugraditi ga pomoću pločica, fugirne mase odnosno žbuke ili sa silikonskim kitom. Aparat je namijenjen isključivo površinskoj montaži.

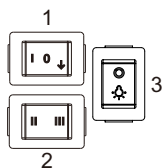
UPRAVLJANJE

Visoku brzinu usisavanja koristite samo u slučaju velike koncentracije pare i dima tijekom kuhanja. Savjetujemo da usisavanje uputite 5 minuta prije nego što počnete s kuhanjem i da ostavite napu da radi još otprilike 15 minuta nakon što ste završili s kuhanjem. U nastavku su opisana tri načina rada.

PREGIBNI (OZIBNI) PREKIDAČ

Radom nape upravljate pomoću tri prekidača koji se nalaze na bočnim stranicama aparata. Prekidači su vidljivi kada izvučete teleskopsku čelnu ploču.

Teleskopska napa opremljena je graničnim prekidačem. Svaki puta kada izvučete teleskopsku čelnu ploču, napa započinje s radom na posljednjoj ugođenoj snazi rada.



- 0 – Napa je isključena.
I – Napa radi na 1. stupnju snage.
↓ – Prebacite prekidač u taj položaj, čime omogućujete.
2. ili 3. stupanj snage rada.
- II – Rad nape na 2. stupnju snage (kada je prekidač 1 u položaju ↓).
III – Rad nape na 3. stupnju snage (kada je prekidač 1 u položaju ↓).
- O / ⚡ – Uključenje/isključenje osvjetljenja.

Tipkom označenom s simbolom ⚡, uključite ili isključite osvjetljenje. Osvjetljenje nape djeluje neovisno o radu motora nape. Pritiskom na tipku ⚡ upućujete u rad motor nape.

Kada ponovno zatvorite teleskopsku čelnu ploču, granični prekidač zaustavlja rad motora nape i isključuje osvjetljenje.

Ako su motor nape i prekidač za osvjetljenje već uključeni, kada izvučete čelnu ploču motor nape će se uputiti, a osvjetljenje će se uključiti.

UPRAVLJANJE TIPKAMA



- ① – Uključenje/isključenje rada nape. Pritiskom na tipku napa započinje s radom na 1. brzini (odnosno na prvom stupnju snage).
- ⚡ – Pritiskom na tipku za 2. brzinu uključuje se rad motora na 2. brzini.
- ⚡ – Pritiskom na tipku za 3. brzinu uključuje se rad motora na 3. brzini.
- ⚡ – Pritiskom na tu tipku uključuje se osvjetljenje. Za isključenje osvjetljenja ponovno pritisnite tu tipku.

UPRAVLJANJE NA DODIR



- ① – Pritiskom na senzorsku tipku za upućivanje u rad/isključenje omogućujete odabir brzine rada motora.
- ⚡ – Pritiskom na tipku za 1. brzinu uključuje se rad motora na 1. brzini.
- ⚡ – Pritiskom na tipku za 2. brzinu uključuje se rad motora na 2. brzini.
- ⚡ – Pritiskom na tipku za 3. brzinu uključuje se rad motora na 3. brzini.
- ⚡ – Pritiskom ove senzorske tipke upalite svjetlo, odnosno osvjetljenje nape. Za isključenje osvjetljenja ponovno pritisnite tu tipku.

ODRŽAVANJE

Upozorenje! Prije bilo kakvog postupka čišćenja ili održavanja, iskopčajte kuhinjsku napu iz napajanja električnom strujom na način da izvadite utičnicu ili isključite glavni prekidač odnosno osigurač kućne instalacije.

Ako je aparat priključen na električnu mrežu preko utičnice, izvucite utikač iz utičnice.

Čišćenje

Kuhinjsku napu treba često čistiti (barem isto tako često kao i filtre za uklanjanje masnoće), kako s unutrašnje tako i s vanjske strane. U tu svrhu koristite ovlaženu krpu s neutralnim deterdžentom. Izbjegavajte uporabu grubih odnosno abrazivnih proizvoda za čišćenje. NEMOJTE KORISTITI ALKOHOL!

UPOZORENJE: Ako ne poštujuete osnovne preporuke glede čišćenja aparata i pravila o zamjeni filtera povećava se rizik od požara. Stoga se preporučuje poštivanje navedenih uputstava.

Proizvođač otklanja bilo kakvu odgovornost za eventualne štete nastale na motoru, ili štete koje bi nastale zbog požara izazvanog kao posljedica neodgovarajućeg održavanja ili neuvažavanja gore navedenih sigurnosnih predostrožnosti.

Filtri

Metalni filter za masnoću zadržava čestice masnoće koje se stvaraju prilikom kuhanja.

Taj filter za masnoću treba čistiti jednom mjesečno koristeći neagresivne deterdžente, bilo ručno ili u perilici posuda, u kojem slučaju morate izabrati program pranja s kratkim ciklusom i na niskoj temperaturi.

Ako filter perete u perilici za posuđe, možda ćete opaziti manju promjenu ili gubitak boje, što ni u kom slučaju ne utječe na učinkovitost filtra.

Da biste skinuli filter za uklanjanje masnoće povucite ručicu na oprugu koja se otkvači.

Ugljeni filter (samo za filtarsku izvedbu nape) zadržava neugodne mirise koji se stvaraju prilikom kuhanja.

Nakon duže uporabe dolazi do zasićenja filtra – ovisno o načinu kuhanja i o učestalosti čišćenja filtra za masnoću. U svakom slučaju kasetu ugljenog filtra treba zamijeniti na svaka četiri mjeseca. Ugljeni filter NIJE dozvoljeno prati ili regenerirati.

Zamjena žarulje

Napa je opremljena sustavom za osvjetljenje koji se zasniva na LED tehnologiji. LED žarulje omogućuju optimalno osvjetljenje, njihov životni vijek je 10 puta duži od životnog vijeka uobičajenih žarulja, a istovremeno omogućuju i 90 % uštede električne energije.

UPOZORENJE!

Svezi sa zamjenom, obratite se tehničkoj potpori.

Savjeti za štednju energije

- 1) Na početku kuhanja uputite napu u rad na minimalnoj brzini rada, kako bi kontrolirali vlagu i odvajati mirise koji nastaju tijekom kuhanja.
- 2) Brzinu rada nape povećajte samo kada je to neophodno potrebno zbog količine hlapova.
- 3) Za optimalnu učinkovitost odstranjivanja masnoće i mirisa održavajte čistoću filtra odnosno svih filtera nape.

Kövesse szigorúan az útmutatóban szereplő utasításokat. A gyártó visszautasítja a felelősséget az olyan esetleges kellemetlenségekért, károkért vagy tüzesetekért, amelyek az útmutatóban foglaltak be nem tartásából erednek. Az elszívó a főzés közben keletkező gázok és pára elszívására szolgál, kizárólag háztartásban használható.

Az elszívó eltérhet az útmutatóban szereplő ábrákon látható modellektől. A készülék használatára, karbantartására és beszerelésére vonatkozó utasítások viszont azonosak.

- ! Őrizz meg az útmutatót, mert később is szüksége lehet rá. Mellékelje az útmutatót a készülékhez, ha eladja, elajándékozza vagy átköltözteti az elszívót.
- ! Olvassa át figyelmesen az útmutatót: lényeges információkat tartalmaz a készülék üzembe helyezéséről és használatáról valamint a biztonságról.
- ! Ne végezzen elektromos vagy mechanikus átalakításokat a terméken vagy a csatlakozó kábelben.
- ! A készülék üzembe helyezése előtt győződjön meg arról, hogy az alkatrészek nincsenek-e megsérülve. Ha sérülést észlel, vegye fel a kapcsolatot a kereskedővel és ne folytassa az üzembe helyezés folyamatát.

Megjegyzés: a "(*)" jellel jelölt elemek olyan opcionális kiegészítők, amelyek csak egyes modelleknél állnak rendelkezésre, vagy külön vásárolhatók meg, nem részei az alap-csomagnak.



FIGYELEM

FIGYELMEZTETÉS! Ne csatlakoztassa a készüléket a hálózatra az üzembe helyezés teljes befejezése előtt.

A készülék tisztításának vagy karbantartásának megkezdése előtt áramtalanítsa a készüléket a villásdugó konnektorból történő kihúzásával vagy a fő elektromos kapcsoló kikapcsolásával.

Az üzembe helyezési és karbantartási műveletek elvégzésekor mindig viseljen védőkesztyűt.

A készüléket nem használhatják gyerekek vagy csökkent fizikális, érzékszervi vagy mentális képességekkel rendelkezők, illetve olyan személyek, akik nem rendelkeznek a szükséges tapasztalattal és tudással, kivéve, ha felügyeletük biztosított, vagy ha megfelelő útmutatást kaptak a biztonságukról felelős személy részéről a készülék használatát illetően.

A készülék felnőttek részéről történő használatra készült, a gyerekeket felügyelni szükséges, hogy ne játszhassanak a készülékkel.

A készülék felnőttek részéről történő használatra készült. A gyerekeknek nem szabad megengedni, hogy játsszanak a készülékkel és annak vezérlő gombjait babrálják.

Soha ne használja az elszívót megfelelően felszerelt rács nélkül!

Az elszívót SOHA nem szabad támasz felületként használni, kivéve, ha erre külön utasítás van.

A készüléket jól szellőző helyiségben kell elhelyezni, főként ha az elszívót más, gázt vagy egyéb anyagot égető berendezéssel együtt használjuk.

A készülék elvezető rendszerét nem szabad egy már meglévő, más célokra (gázt vagy egyéb anyagot égető berendezések égéstermékeinek elvezetésére) használt szellőzőrendszerbe csatlakoztatni,

Az elszívó alatt ételeket flambírozni szigorúan tilos.

A lángok kárt okozhatnak a szűrőkben és tüzet idézhetnek elő, ezért az ilyen tevékenység minden körülmények között kerülendő.

A sütés során elővigyázatosnak kell lenni, hogy az olaj ne hevüljön túl és ne kapjon lángra. Az elszívó elérhető részei felforrósodhatnak a tűzhely használata közben.

A gázok elvezetésével kapcsolatos technikai és biztonsági intézkedések vonatkozásában fontos a helyi hatóságok előírásainak betartása.

Az elszívót rendszeresen tisztítani kell kívül és belül egyaránt (LEGALÁBB HAVONTA EGYSZER).


Ezt az útmutatóban ismertetett karbantartási utasításoknak megfelelően kell elvégezni. Az útmutatóban szereplő, az elszívó és a szűrők tisztítására vonatkozó utasítások be nem tartása tűzveszélyt idézhet elő.

Az elszívót ne használja és ne hagyja magára úgy, hogy az izzó nincs megfelelően behelyezve, mert ez áramütés veszélyével járhat.

A gyártó nem vállalja a felelősséget az olyan hibákért, károkért vagy tüzesetekért, amelyek az útmutatóban foglaltak be nem tartásának eredményeként következnek be.

A készülék a 2002/96/EC számú, hulladék elektromos és elektronikus berendezésekről szóló (WEEE) európai uniós irányelvnek megfelelően van jelölve. A termék megfelelő ártalmatlanításával hozzájárulhat azon, a környezet és az emberi egészség szempontjából potenciálisan negatív következmények megelőzéséhez, amelyek a termék nem megfelelő ártalmatlanítása miatt következhetnek be.



A terméken  vagy a hozzá mellékelte dokumentumokon feltüntetett ábra azt jelzi, hogy a készüléket nem szabad közönséges háztartási hulladékként kezelni, hanem egy, az elektromos és elektronikus berendezések újrahasznosításáért felelős gyűjtőhelyen kell leadni. Az ártalmatlanítást a helyi, hulladékkezelésre vonatkozó környezetvédelmi előírásoknak megfelelően kell elvégezni.

Az ilyen termékek begyűjtésére és újrahasznosítására vonatkozó további részletes információkért forduljon a helyi hatóságok megfelelő osztályához, a hulladékkezelésért felelős helyi szolgáltatóhoz vagy az üzlethez, ahol a terméket megvásárolta.

A készülék az alábbi szabványoknak megfelelően került kialakításra, tesztelésre és gyártásra:

- Biztonság: EN/IEC 60335-1; EN/IEC 60335-2-31, EN/IEC 62233.
- Teljesítmény: EN/IEC 61591; ISO 5167-1; ISO 5167-3; ISO 5168; EN/IEC 60704-1; EN/IEC 60704-2-13; ISO 3741; EN 50564; IEC 62301.
- EMC: EN 55014-1; CISPR 14-1; EN 55014-2; CISPR 14-2; EN/IEC 61000-3-2; EN/IEC 61000-3-3.

Javaslatok a megfelelő használatra a környezeti hatások csökkentése érdekében: a főzés megkezdésekor minimális sebességfokozaton kapcsolja be az elszívót és a főzés befejeztével is hagyja még néhány percig működni. Csak akkor növelje a sebességet, ha nagy mennyiségű füst és gőz képződik, illetve csak extrém helyzetekben használja az intenzív sebesség-fokozato(ka)t. A szagelszívás hatékonysága érdekében szükség esetén cserélje ki a szénzsűrő(ke)t. A zsírszűrő hatékony működésének biztosítása érdekében tisztítsa meg a zsírszűrő(ke)t, ha szükséges. A hatékonyság optimalizálása és a zaj minimalizálása érdekében használja a maximális átmérőjű elvezető rendszert, az útmutatóban leírtaknak megfelelően.

Az üzembe helyezésre vonatkozó további utasítások:

Az üzembe helyezéshez kizárólag a termékhez mellékelte rögzítő csavarokat használja, vagy, ha nincsenek mellékelve ilyen csavarok, szerezzze be a megfelelő típusúakat. Az üzembe helyezési útmutatóban ismertetett csavarokhoz a megfelelő hosszúságot használja.

Ha kétségei vannak, vegye fel a kapcsolatot a márkaszervizzel vagy egy megfelelően képzett szakemberrel.

FIGYELMEZTETÉS! Ha a csavarok vagy a rögzítő szerkezet nem az útmutatóban leírtaknak megfelelően kerül felhelyezésre, elektromos veszélyhelyzetek következhetnek be.

HASZNÁLAT

Az elszívó kéménybe köthető vagy filteres változatban is használható.



Kéménybe köthető változat

Ebben az esetben a gázok egy, az elszívó tetején található csatlakozó gyűrűhöz csatlakoztatott speciális csövön keresztül távoznak az épületen kívülre.

Figyelem! Az elvezető cső nem tartozéka a készüléknek és külön kell megvásárolni. Az elvezető cső átmérője meg kell hogy egyezzen a csatlakozó gyűrű átmérőjével.

Vízszintesen az elvezető csövet enyhén (körülbelül 10°) ferdén kell elhelyezni és felfelé irányítani, hogy a levegő könnyen távozni tudjon a helyiségből.

Figyelem! Ha az elszívóhoz aktív szénzsűrő is tartozik, azt el kell távolítani.

Az elszívót és az elvezető nyílásokat a levegő kimenettel (csatlakozó perem) azonos átmérővel csatlakoztassa a falra.

Kisebb méretű csövek és elvezető nyílások alkalmazása esetén a szívás hatékonysága kisebb lesz és drasztikusan növekedni fog a zajszint. Az ebből eredő hibákért a gyártó nem vállal felelősséget.

- ! A minimálisan szükséges hosszúságú elvezető csövet használjon!
- ! A csövet a lehető legkevesebb könyökkel használja (maximális könyökszög: 90°)
- ! Kerülje a drasztikus módosításokat a cső keresztmetszetében.
- ! Olyan csövet használjon, ami belülről a lehető legsimább.
- ! A cső bevizsgált anyagból kell hogy legyen.



Filteres változat

Ehhez a változathoz szükség van egy aktív szénzsűrőre, ami a márkakereskedőtől beszerezhető.

A filter eltávolítja a zsíradékokat és a szagokat a beszívott levegőből, mielőtt az visszajutna a helyiségbe a felső kivezető rácson keresztül.

ÜZEMBE HELYEZÉS

A főzőlap felső felülete és az elszívó legalsó része közötti minimális távolság nem lehet 50 cm-nél kevesebb elektromos tűzhelyek esetében, illetve 65 cm-nél kevesebb gáz vagy vegyes tűzhelyek esetében.

Ha a gáz főzőlap üzembe helyezési útmutatójában ennél nagyobb távolság van előírva, azt kell betartani.



Elektromos csatlakoztatás

A hálózat meg kell hogy feleljen a készülék belsejében elhelyezett adattáblán feltüntetett értékeknek. Ha a készülékhez villásdugó is tartozik, azt csatlakoztassa egy, az előírásoknak megfelelő és az üzembe helyezést követően is hozzáférhető aljzatba. Ha a készülék nem rendelkezik villásdugóval (közvetlen csatlakoztatás), vagy ha a villásdugó az üzembe helyezést követően nem hozzáférhető, alkalmazzon egy szabványos, kétpólusú kapcsolót, ami lehetővé teszi a készülék teljes lekapcsolását az áramköről III. kategóriájú túláram esetén, az üzembe helyezésre vonatkozó utasításoknak megfelelően.

Figyelmeztetés! Mielőtt az elszívó áramkörét ismét a hálózatra csatlakoztatná, és ellenőrizné annak hatékony működését, mindig ellenőrizze, hogy a hálózati kábel megfelelően van-e összeállítva.

Az elszívó speciális csatlakozó kábellel rendelkezik; ha a kábel megsérül, igényeljen újat a márkaszerviztől.

Felszerelés

Nagyon nehéz termék; az elszívó mozgatásához és üzembe helyezéséhez legalább két személy szükséges. Az üzembe helyezés megkezdése előtt:

- Ellenőrizze, hogy a megvásárolt termék mérete megfelel-e a kiválasztott helynek.
- Vegye ki a szénzsűrő(ke)t (*), ha van(nak) ilyen(ek) a készülékben (lásd az erre vonatkozó bekezdést is). Ez(ek) használata csak akkor szükséges, ha filteres változatban szeretné használni az elszívót.
- Ellenőrizze, hogy (a szállítás miatt) nincsenek-e egyéb tartozékok az elszívó belsejében (pl. csavarokat tartalmazó zacskók (*), garancialevelek (*), stb.). Ha vannak, távolítsa el és őrizze meg azokat.
- Ha lehetséges, áramtalanítsa és mozdítsa el a szabadon álló vagy becsúsztható tűzhelyet az elszívó leendő helye alól, hogy könnyebb legyen a hozzáférés a hátsó falhoz / plafonhoz. Ha ez nem lehetséges, helyezzen egy vastag, védő fedelet a munkalap, főzőlap vagy tűzhely fölé, hogy védve legyenek a károsodásról és a törmeléktől. Az egység összeállításához válasszon vízszintes felületet. Takarja le a felületet és helyezze rá az elszívó részeit.
- Ezen felül ellenőrizze, hogy az elszívó leendő helye közelében (ahol a felszerelést követően is hozzáférhető lesz) található-e aljzat és hogy van-e lehetőség a gázok elvezetésére szolgáló berendezés felszerelésére kültéren (csak elszívós változat).
- Végezze el a szükséges kőműves munkákat (pl. konnektor felszerelése és/vagy lyuk kialakítása az elvezető csőnek).

A készülékhez tágulásszabályozós fali csatlakozók vannak mellékelve – ezek segítségével biztosítható az elszívó rögzítése a legtöbb típusú falhoz/plafonhoz. Ugyanakkor az anyagok megfelelőségét szakember kell hogy ellenőrizze a fal/plafon típusának függvényében. A fal/plafon elég teherbírása elégséges kell hogy legyen ahhoz, hogy elbírja az elszívó súlyát. A készüléket ne csempével, habarccsal vagy szilikonnal rögzítse a falhoz. Kizárólag felületre szerelés.

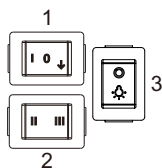
MŰKÖDÉS

A nagy szívóerejű sebességet koncentrált konyhai gőzök esetén használja. Javasolt a konyhai elszívót a főzés megkezdése előtt 5 perccel bekapcsolni és a főzés végeztével még körülbelül 15 percig működtetni. A háromféle működési mód leírása alább olvasható.

BILLENŐKAPCSOLÓ

Az elszívó három gombbal működtethető, amelyek a készülék egyes oldalain találhatóak meg. Akkor válnak láthatóvá, amikor a teleszkópos első lap ki van nyitva.

A teleszkópos elszívó rendelkezik egy végállás-kapcsolóval. A teleszkópos első lap minden egyes kinyitásakor a korábban beállított sebességfokozaton kezd el működni.



- 0 – Az elszívó kikapcsolása.
I – az elszívó működtetése 1-es sebességfokozaton.
↓ – váltás II-es vagy III-as sebességfokozathoz.
- II – az elszívó működtetése 2-es sebességfokozaton (az 1-es kapcsoló ↓ pozícióban van).
III – az elszívó működtetése 3-as sebességfokozaton (az 1-es kapcsoló ↓ pozícióban van).
- / ·⊙ – Világítás BE / KI kapcsolása.

A ·⊙ -val jelölt gomb a világítás BE és KI kapcsolására szolgál. Az elszívó világítása a motortól függetlenül működik. A ⊙ gomb megnyomása nincs kihatással a motor működésére.

Az első lap bezárásakor a végállás-kapcsoló nemcsak motort, hanem a világítást is kikapcsolja. Ha az elszívó motorja és a világítás kapcsoló már bekapcsolt állapotban vannak az első lap kinyitásakor, a motor azonnal működésbe lép, és a világítás is bekapcsol.

VEZÉRLŐGOMBOK



- – Az elszívó BE / KI kapcsolása. A gomb megnyomásakor az elszívó 1-es sebességfokozaton kezd el működni.
- ↓ – A 2-es fokozat gombjának megnyomására a motor 2-es sebességfokozaton kezd el működni.
- ⚙ – A 3-as fokozat gombjának megnyomására a motor 3-as sebességfokozaton kezd el működni.
- ⊙ – A gomb megnyomására a világítás bekapcsol. A világítás kikapcsolásához nyomja meg ismét a gombot.

ÉRINTÉSRE REAGÁLÓ VEZÉRLÉS



- – A motor valamelyik sebességfokozatának elindításához nyomja meg a be/kikapcsolás gombot.
- ↓ – A motor 1-es sebességfokozaton történő működtetéshez nyomja meg az 1-es gombot.
- ⚙ – A motor 2-es sebességfokozaton történő működtetéshez nyomja meg az 2-es gombot.
- ⚙ – A motor 3-as sebességfokozaton történő működtetéshez nyomja meg az 3-as gombot.
- ⊙ – A gomb megnyomására a világítás bekapcsol. A világítás kikapcsolásához nyomja meg ismét a gombot.

KARBANTARTÁS

FIGYELEM! Bárminemű karbantartási művelet megkezdése előtt válassza le a készüléket a hálózatról a csatlakozónál történő kikapcsolással és a csatlakozó biztosítékának eltávolításával.

Vagy ha a készülék villásdugó és aljzat segítségével került csatlakoztatásra, húzza ki a villásdugót az aljzataból.

Tisztítás

Az elszívót rendszeresen kell tisztítani (legalább olyan gyakorisággal, mint a zsírszűrő karbantartását) – belülről és kívülről egyaránt. A tisztításhoz használjon folyékony, semleges tisztítószerbe áztatott rongyot. Ne használjon súroló hatású termékeket. **NE HASZNÁLJON ALKOHOLT!**

FIGYELMEZTETÉS: Az elszívó tisztításának és a szűrők cseréjének elmulasztása tűzveszéllyel járhat. Ezért javasolt a utasítások betartása. A gyártó nem vállal felelősséget a fenti biztonsági utasítások be nem tartásából vagy a nem megfelelően elvégzett karbantartásból eredő motor-meghibásodásokért vagy tűzkárokat.

Szűrők

A fém zsírszűrő felfogja a főzés során keletkező zsiradékot. A zsírszűrőt havonta egyszer kell tisztítani, kímélő tisztítószert segítségével, kézzel vagy mosogatógéppben, amit alacsony hőfokra és rövid programra kell beállítani. Mosogatógéppben történő tisztítás esetén a zsírszűrő elszíneződhet, de ez nem befolyásolja a működés hatékonyságát. A zsírszűrő eltávolításához, húzza meg a rugó kioldó fogantyúját.

A szénszűrő (csak a filteres változatnál) semlegesíti a főzés során keletkező kellemetlen szagokat. Hosszabb használat után a **szénszűrő** telítődik – ez függ a főzés típusától és a zsírszűrő tisztításának gyakoriságától. A kazettát legalább négyhavonta cserélni szükséges. A szénszűrő **NEM** mosható és nem felújítható.

Az izzók cseréje

Az elszívó LED technológián alapuló világító rendszerrel rendelkezik. A LED lámpák optimális megvilágítást tesznek lehetővé és élettartamuk akár tízszerese lehet a hagyományos izzókének, valamint 90%-os energia-megtakarítást is lehetővé tesznek. .

FIGYELMEZTETÉS!

Izzócseré esetén forduljon szakszervízhez.

Energiatakarékossági tippek

- 1) A főzés megkezdésekor minimális sebesség-fokozaton működtesse az elszívót a nedvesség szabályozása és a főzés közben keletkező szagok semlegesítése érdekében.
- 2) Csak akkor növelje a sebesség-fokozatot, ha a keletkező pára mennyisége miatt ez szükségesé válik.
- 3) Tartsa tisztán az elszívó szűrőit, a hatékony zsír és szagelszívás érdekében.

Seguire attentamente le istruzioni di questo manuale. Il produttore declina ogni responsabilità per eventuali inconvenienti, danni o incendi che potrebbero derivare dall'inosservanza delle istruzioni contenute in questo manuale. La cappa è destinata all'aspirazione del fumo e del vapore che si formano durante la cottura ed è destinata esclusivamente all'uso domestico.

L'aspetto della cappa potrebbe differire dai disegni di questo opuscolo. Tuttavia, le istruzioni per l'uso, la manutenzione e l'installazione rimangono invariate.

- ! Conservare questa guida in modo da poterla rileggere in qualsiasi momento. Se si vende l'apparecchio, o lo si regala o lo si trasporta, assicurarsi che sia sempre accompagnato dal manuale d'istruzioni.
- ! Leggere attentamente le istruzioni poiché contengono informazioni essenziali sull'installazione, l'uso e la sicurezza.
- ! Non eseguire interventi elettrici o meccanici né effettuare adattamenti sull'apparecchio o sui tubi di aspirazione o sui condotti.
- ! Prima di installare l'apparecchio, verificare che tutti i componenti non siano danneggiati. Se si riscontra che un componente è danneggiato, contattare il rivenditore e non installare l'apparecchio.

Nota: Gli elementi contrassegnati dal simbolo "(*)" sono accessori aggiuntivi inclusi solo in alcuni modelli o sono disponibili come accessori supplementari e non forniti con l'apparecchio.



ATTENZIONE!

AVVISO! Non collegare l'apparecchio alla rete elettrica fino al completamento dell'installazione.

Prima di pulire o fare operazioni di manutenzione della cappa aspirante, scollegarla dalla presa elettrica rimuovendo la spina dalla presa o spegnendo il fusibile principale.

Indossare sempre guanti protettivi durante tutti i lavori di installazione o di manutenzione.

L'apparecchio non è destinato all'uso da parte di bambini o persone con ridotte capacità fisiche, sensoriali o mentali o persone con scarsa esperienza o conoscenza, a meno che l'apparecchio non venga utilizzato sotto la supervisione appropriata o secondo le istruzioni delle persone responsabili della loro sicurezza.

L'apparecchio è destinato all'uso da parte di adulti. Non permettere ai bambini piccoli di giocare con l'apparecchio.

L'apparecchio è destinato all'uso da parte di adulti. Non permettere ai bambini di giocare con i comandi dell'apparecchio o con lo stesso apparecchio.

Non usare mai cappe senza una griglia correttamente montata!

Non utilizzare MAI la cappa come superficie portante o ausiliare se non esplicitamente consentito.

Se nella stanza in cui è installata la cappa si utilizzano anche congegni o apparecchi in cui viene bruciato gas naturale o altro combustibile, tale stanza deve avere una ventilazione sufficiente.

Il sistema di deviazione dei vapori di questo apparecchio non deve essere collegato a un sistema di ventilazione esistente che viene già utilizzato per altri scopi, ad esempio per lo scarico di gas prodotti dalla combustione di gas o altri combustibili.

Il flambé ossia fare le fiammate cucinando direttamente sotto la cappa è severamente vietato.

L'uso di fiammate danneggia i filtri e può causare il rischio di incendio, quindi bisogna evitarle in tutte le circostanze.

Quando si frigge, fare particolare attenzione che l'olio non si surriscaldi e si infiammi. Le parti accessibili della cappa poste sotto la stessa cappa potrebbero surriscaldarsi durante il funzionamento dell'apparecchio.

Per quanto riguarda le misure tecniche e di sicurezza per la deviazione dei vapori, è importante seguire scrupolosamente le regole definite dalle autorità locali.

La cappa deve essere pulita regolarmente sia dall'interno che dall'esterno (ALMENO UNA VOLTA AL MESE).


Pulire la cappa seguendo le istruzioni di manutenzione di questo manuale. Se non si seguono le istruzioni di questo manuale relative alla pulizia di cappe e filtri, potrebbe verificarsi il rischio di incendio.

Non usare cappe o non lasciare le cappe senza una lampadina montata correttamente, altrimenti potrebbe verificarsi il rischio di scosse elettriche.

Il produttore declina ogni responsabilità per eventuali difetti, danni o incendi che possono verificarsi nell'apparecchio a causa della mancata osservanza delle istruzioni contenute in questo manuale.

L'apparecchio è contrassegnato in conformità con la Direttiva europea 2002/96/CE sui Rifiuti di apparecchiature elettriche ed elettroniche. Facendo attenzione a smaltire correttamente questo prodotto, si contribuisce a prevenire effetti dannosi sull'ambiente e sulla salute umana che potrebbero essere causati da un trattamento inappropriato di questo prodotto alla fine del suo periodo di utilità.



Il simbolo  sul prodotto o sulla documentazione di accompagnamento indica che l'apparecchio non deve essere trattato come rifiuto domestico, ma deve essere consegnato in un punto di raccolta appropriato per il riciclaggio di apparecchiature elettriche ed elettroniche. Smaltire l'apparecchio in conformità con le normative ambientali locali per lo smaltimento dei rifiuti.

Per ulteriori informazioni dettagliate sul trattamento, la raccolta e il riciclaggio di questo prodotto, contattare il dipartimento competente presso l'autorità locale competente, o il servizio locale di gestione dei rifiuti domestici, o rivolgersi al negozio in cui è stato acquistato questo prodotto.

L'apparecchio è progettato, testato e fabbricato in conformità con i seguenti standard o regolamenti:

- di sicurezza: EN/IEC 60335-1; EN/IEC 60335-2-31, EN/IEC 62233.
- di efficienza di funzionamento: EN/IEC 61591; ISO 5167-1; ISO 5167-3; ISO 5168; EN/IEC 60704-1; EN/IEC 60704-2-13; ISO 3741; EN 50564; IEC 62301.
- di compatibilità elettromagnetica (EMC): EN 55014-1; CISPR 14-1; EN 55014-2; CISPR 14-2; EN/IEC 61000-3-2; EN/IEC 61000-3-3.

Raccomandazioni per un uso corretto per ridurre l'impatto ambientale: ACCENDERE la cappa alla velocità minima quando si inizia a cucinare. Lasciarla funzionare ancora per alcuni minuti dopo aver terminato la cottura. Aumentare la velocità ossia il livello di funzionamento solo in caso di una grande quantità di fumo e vapore, usare la funzione particolarmente elevata ossia l'alta velocità solo in casi estremi. Se necessario, sostituire i filtri /il filtro al carbone attivo per mantenere una buona efficienza nella rimozione degli odori sgradevoli. Se necessario pulire i filtri antigrasso per mantenere una buona efficienza degli stessi. Utilizzare tubi della cappa aspirante col diametro grande come riportato in questo manuale, poiché ciò consentirà un'efficacia ottimale e il rumore sarà minimo.

Ulteriori specifiche di installazione:

Durante l'installazione, utilizzare solo le viti per il fissaggio in dotazione con l'apparecchio. Se le viti non sono in dotazione, acquistare viti del tipo appropriato. Utilizzare le viti lunghe appropriate in base alle informazioni delle Istruzioni sull'installazione.

In caso di dubbi, contattare un riparatore autorizzato, un centro assistenza o un altro tecnico adeguatamente qualificato.

ATTENZIONE! Se non si installano le viti o le guarnizioni di montaggio in conformità con queste istruzioni, potrebbe verificarsi il rischio di scosse elettriche.

USO

La cappa è progettata in modo tale da poter essere utilizzata sia in versione a sfiato che a filtri.



Versione a sfiato

In questo caso, il fumo si scarica all'esterno tramite un tubo speciale collegato alla flangia di collegamento situata nella parte superiore della cappa.

Attenzione! Il tubo di sfiato non è in dotazione e deve essere acquistato separatamente. Il diametro del tubo di sfiato deve essere uguale al diametro della flangia di collegamento.

Nella sezione orizzontale, il tubo deve essere leggermente inclinato verso l'alto (di circa 10°) in modo che l'aria possa essere facilmente scaricata dall'interno verso l'esterno.

Attenzione! Se la cappa è dotata di filtri/filtro al carbone, devono essere rimossi.

Per il collegamento della cappa con l'apertura nella parete per lo sfiato dei vapori, utilizzare un tubo flessibile di diametro uguale al diametro dell'apertura di uscita sulla cappa (flangia di collegamento).

Se il diametro del tubo o l'apertura della parete sono più piccoli, la potenza di aspirazione sarà inferiore e il rumore aumenterà in modo significativo.

Per tali casi, il produttore declina ogni responsabilità.

- ! Il tubo di sfiato dell'aria deve essere il più corto possibile.
- ! Quando si inserisce il tubo di sfiato, assicurarsi che ci siano il meno pieghe possibile. L'angolo massimo consentito è di 90°.
- ! Evitare di effettuare grandi modifiche nel taglio del tubo di sfiato.
- ! La superficie interna del tubo di sfiato deve essere il più liscia possibile.
- ! Il tubo di sfiato deve essere fatto di un materiale con certificati appropriati.



Versione a filtro

Questa versione necessita di un filtro a carbone che si può comprare in un negozio di elettrodomestici.

Il filtro rimuove il grasso e gli odori dall'aria aspirata, poi l'aria purificata ritorna nell'ambiente attraverso le fessure di uscita sul lato superiore dell'apparecchio.

INSTALLAZIONE

La distanza minima tra la superficie portante di cottura e la parte inferiore della cappa non deve essere inferiore a 50 cm nel caso di piani di cottura elettrici, o 65 cm nel caso di piani a gas o combinati.

Se nelle istruzioni di installazione del piano cottura a gas viene indicata una distanza maggiore, tenere in considerazione questa.



Collegamento alla rete elettrica

L'impianto elettrico deve essere conforme alle specifiche riportate sulla targhetta identificativa situata all'interno della cappa. Se sul cavo di alimentazione della cappa è installata una spina, collegare la cappa tramite una presa conforme alle normative applicabili ed installarla in modo che possa essere facilmente accessibile dopo l'installazione. Se il cavo di alimentazione non è dotato di spina (collegamento diretto alla rete), o se la presa non è facilmente accessibile dopo l'installazione, è necessario installare un interruttore bipolare conforme alle norme che garantisca che l'apparecchio sia completamente scollegato dalla rete elettrica nelle condizioni di sovratensione della classe III, in conformità con le istruzioni di installazione.

Attenzione! Assicurarsi sempre che il cavo di alimentazione sia installato correttamente prima di ricollegare la cappa alla corrente elettrica e controllarne il suo funzionamento.

La cappa è dotata di un cavo di collegamento speciale; se questo è danneggiato, richiedere un nuovo servizio al centro assistenza.

Genere di installazione

L'apparecchio è molto pesante. Maneggiando la cappa devono collaborare almeno due persone. Prima di iniziare l'installazione:

- Verificare che il prodotto acquistato abbia le dimensioni appropriate in base all'area di installazione selezionata.
- Rimuovere i filtri/il filtro al carbone attivo (*) se forniti (vedere il paragrafo relativo). Installare i filtri/il filtro al carbone attivo solo se si usa la cappa con la versione a filtro.
- Accertarsi se all'interno della cappa ci sia del materiale o altri oggetti (che potrebbero cadere nel corso del trasporto, ad esempio bustine con le viti (*), fogli di garanzia (*), ecc.) e, se necessario, rimuoverli.
- Se possibile, scollegare e spostare la cucina o la cucina indipendente, che può essere spinta nella nicchia tra gli elementi della cucina, per facilitare l'accesso alla parete del piano cottura e al soffitto. Se ciò non è possibile, posizionare una copertura protettiva spessa sul piano cottura o sulla cucina per proteggere da danni e oggetti estranei. Scegliere una base piatta per montare l'apparecchio. Coprire questa base con un rivestimento protettivo sul quale posizionare tutte le parti della cappa e le parti per il fissaggio.
- Inoltre, controllare se nelle vicinanze del punto in cui si prevede di installare la cappa (un punto che sia accessibile anche dopo l'installazione completa della cappa), sia a disposizione una presa elettrica, e se è possibile il collegamento all'impianto che scaricherà i vapori verso l'esterno.
- Eseguire prima tutti i lavori di costruzione necessari (ad es. montaggio di una presa elettrica e/o di un tubo di sfiato).

Per fissare la cappa sono in dotazione degli inserti per il muro adatti per la maggior parte dei tipi di pareti o soffitti. Tuttavia, un tecnico esperto abilitato a ciò deve verificare l'idoneità dei materiali in base al tipo o genere di parete/soffitto. La parete e il soffitto devono essere abbastanza forti da sostenere il peso della cappa. Non tentare di collocare o di montare questo apparecchio su una parete con piastrelle, con massa per le fughe, o con stucco in gesso o silicone. L'apparecchio è destinato esclusivamente al montaggio in superficie.

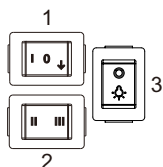
GESTIONE

Utilizzare un'alta velocità di aspirazione solo in presenza di un'alta concentrazione di vapore durante la cottura. Si consiglia di accendere la cappa 5 minuti prima di iniziare la cottura, di lasciarla funzionare durante la cottura e di tenerla accesa per altri circa 15 minuti dopo la fine della cottura. Di seguito vengono descritte tre modalità di funzionamento.

INTERRUTTORE A PULSANTE

Il funzionamento della cappa è gestito da tre interruttori situati ai lati dell'apparecchio. Sono visibili quando si tira fuori il frontalino estraibile.

La cappa aspirante è dotata di un interruttore finecorsa. Ogni volta che il frontalino estraibile viene tirato fuori, la cappa inizia a funzionare con la potenza impostata l'ultima volta.



1. 0 – Disattivazione della cappa.
I – Funzionamento della cappa al 1° livello di aspirazione.
↓ – Posizionare l'interruttore in questa posizione per abilitare il 2° o il 3° livello di aspirazione.
2. II – Funzionamento della cappa al 2° livello di aspirazione (quando l'interruttore 1 è nella posizione ↓).
III – Funzionamento della cappa al 3° livello di aspirazione (quando l'interruttore 1 è nella posizione ↓).
3. O / ⚡ – Uključenje/isključenje osvjjetljenja.

Usare il tasto contrassegnato dal simbolo ⚡ per accendere o spegnere l'illuminazione. L'illuminazione della cappa funziona indipendentemente dal motore della cappa. Premendo il tasto ⚡ si attiva il motore della cappa.

Quando si richiude il frontalino estraibile, il finecorsa disattiva il motore della cappa e spegne l'illuminazione.

Se il motore della cappa e l'interruttore dell'illuminazione sono già accesi, quando il frontalino viene tirato fuori il motore della cappa inizierà a funzionare e l'illuminazione si accenderà.

COMANDI COI TASTI



- ① – Accendere/spegnere la cappa. Premendo il tasto la cappa inizierà a funzionare alla 1° velocità (ossia al 1° livello di aspirazione).
- ☞ – Premendo il tasto per la 2° velocità il motore si attiva alla 2° velocità.
- ☞ – Premendo il tasto per la 3° velocità il motore si attiva alla 3° velocità.
- ⚡ – Premendo questo tasto si accende l'illuminazione. Premere di nuovo questo tasto per spegnere l'illuminazione.

COMANDI TOUCH (a sfioro)



① – Sfiore il tasto touch per accendere/spengere; dopo aver acceso il funzionamento, si può scegliere la velocità del motore.

☞ – Sfiorendo il tasto touch per la 1° velocità il motore si attiva alla 1° velocità.

☞ – Sfiorendo il tasto touch per la 2° velocità il motore si attiva alla 2° velocità.

☞ – Sfiorendo il tasto touch per la 3° velocità il motore si attiva alla 3° velocità.

💡 – Sfiorendo questo tasto touch si accende l'illuminazione. Sfiore di nuovo questo tasto per spegnere l'illuminazione.

MANUTENZIONE

ATTENZIONE! Scollegare la cappa dalla rete elettrica prima di qualsiasi intervento di manutenzione o operazione, disattivando la connessione e rimuovendo il fusibile del connettore.

Se l'apparecchio è collegato a una rete elettrica tramite una presa, rimuovere la spina dalla presa.

Pulizia

La cappa deve essere pulita regolarmente (almeno tanto spesso quanto pulite il filtro antigrasso), sia dall'interno che dall'esterno. Pulire con un panno inumidito con un detergente neutro. Non usare detersivi ruvidi o abrasivi. **NON USARE ALCOOL!**

AVVERTENZA: se non si tengono in considerazione i consigli di base sulla pulizia della cappa e la sostituzione dei filtri, potrebbe verificarsi il rischio di incendio. Pertanto si consiglia di seguire queste istruzioni. Il produttore declina ogni responsabilità per danni al motore o danni derivanti da un incendio se tale danno o danni sono dovuti a una manutenzione inadeguata o alla mancata osservanza delle raccomandazioni di sicurezza sopra riportate.

Filtri

Il **filtro antigrasso** cattura particelle di grasso che vengono rilasciate durante la cottura. Il filtro antigrasso deve essere pulito una volta al mese con detersivi non aggressivi, manualmente o in lavastoviglie con un programma corto, a bassa temperatura. Se il filtro viene lavato in lavastoviglie può scolorire ma ciò non influenza sull'efficienza di filtrazione. Rimuovere il filtro antigrasso tirando la leva a molla.

Il **filtro al carbone attivo** (solo per la versione a filtro) assorbe gli odori sgradevoli che si formano durante la cottura. Dopo un uso prolungato il filtro si ostruisce –secondo il metodo di cottura e la frequenza di pulizia del filtro antigrasso. In ogni caso, la cartuccia del filtro a carbone attivo deve essere sostituita ogni quattro mesi. I filtri al carbone attivo non possono essere lavati o riutilizzati.

Sostituzione delle lampadine

La cappa è dotata di un sistema di illuminazione a LED. Le lampadine a LED forniscono un'illuminazione ottimale, la loro aspettativa di vita è 10 volte più lunga della normale durata delle lampadine comuni, mentre allo stesso tempo consentono un risparmio energetico del 90%.

ATTENZIONE!

Per la sostituzione rivolgersi al servizio assistenza tecnica.

Consigli per risparmiare energia

- 1) Quando si inizia a cucinare accendere la cappa alla velocità minima per controllare l'umidità e aspirare gli odori che si formano durante la cottura.
- 2) Aumentare la velocità di funzionamento della cappa solo quando necessario in base alla quantità di vapore.
- 3) Per mantenere un'efficienza ottimale di rimozione di grassi e degli odori, mantenere puliti il filtro o i filtri della cappa.

Осы пайдалану жөніндегі нұсқаулықтың нұсқауларын дәл орындаңыз! Өндіруші осы нұсқаулық нұсқауларын орындамау салдарынан туындаған ақауларға, залалға және өртке жауап бермейді. Аспап үй жағдайында тама дайындау кезінде пайда болатын түтін мен буды бұру үшін қолданылады.

Аспап осы нұсқаулықтағы суреттерде берілген аспаптан дизайны бойынша өзгеше болуы мүмкін. Бұл ретте осы нұсқаулықта берілген пайдалану, техникалық қызмет көрсету және монтаждау жөніндегі нұсқауларды орындаңыз.

- ! Нұсқаулықты аспапқа жақын жерде ұстаңыз. Нұсқаулық пен қоса берілетін құжаттамаларды міндетті түрде сақтап қойыңыз. Аспапты жаңа иегерге беру кезінде осы құжаттарды да беруді ұмытпаңыз.
- ! Нұсқаулықты мұқият оқып шығыңыз, өйткені мұнда аспапты монтаждау, пайдалану және қауіпсіз қолдану жөніндегі маңызды ақпараттар бар.
- ! Осы аспаптың конструкциясына, электрлік схемасына және шығарылған ауаны бұру жүйесіне өзгерістер енгізуге тыйым салынады.
- ! Монтаждауды бастамас бұрын аспапты бұзылулардың жоқтығына тексеріп алыңыз. Бұзылуларды анықтаған кезде аспапты орнатпаңыз және аспапты сатып алған дүкенге жүгініңіз.

Ескертпе. Жұлдызшамен «(*)» белгіленген керек-жарақтар кейбір модельдерде ғана жабдықтың жиынтығына кіреді. Қаласаңыз керек-жарақтарды қосымша жабдық ретінде сатып алуға болады.



Назар аударыңыз!

ЕСКЕРТУ! Монтаждау толықтай аяқталмайынша аспапты электр желісіне жалғамңыз.

Тазалау мен қызмет көрсетуді бастамас бұрын ауа сорғыны байланыстырғыш кабель ағасын розеткадан ажырату немесе сақтандырғышты сөндіру арқылы электр желісінен ажыратыңыз.

Монтаждау және қызмет көрсету бойынша жұмыстарды орындау кезінде қорғайтын қолғап киіңіз.

Аспапты балаларға, физикалық, қозғалу және психикалық қабілеттері шектелген адамдарға, сонымен қатар оны қолдану үшін жеткілікті тәжірибесі мен білімі жоқ адамдарға тек біреудің қарауымен немесе егер оларды олардың қауіпсіздігі үшін жауап беретін тұлға аспапты қолдануды үйреткен жағдайда ғана осы аспапты қолдануға рұқсат етіледі.

Аспап ересектердің қолдануына арналған. Балаларға аспаппен ойнауға рұқсат етпеңіз.

Аспап ересектердің қолдануына арналған. Балаларға басқару элементтерімен және аспаптың өзімен ойнауға рұқсат етпеңіз.

Егер тор дұрыс орнатылмаған болса, аспапты қолданбаңыз.

Егер бұл жеке келісімдегі болса, ауа сорғыны тірек жазықтығы ретінде қолдануға ҚАТАҢ тыйым салынады.

Егер бөлмеге ауа сорғыдан басқа газбен немесе басқа да отынмен жұмыс жасайтын аспаптар орнатылған болса, оны жеткілікті желдетуді қамтамасыз етіңіз.

Ауа сорғының ауасын газбен немесе басқа да отынмен жұмыс жасайтын аспаптардың желдету каналдары арқылы шығаруға болмайды.

Сорғы астында ашық отпен дайындауға және отпен шарпуға ҚАТАҢ тыйым салынады.

Ашық отты қолдану сүзгілердің бүлінуіне немесе жануына алып келуі мүмкін, сондықтан кез келген жағдайда мұның алдын алыңыз.

Тағамды қараусыз қуыруға тыйым салынады, өйткені май қызып кетуі және өртенуі мүмкін. Сорғының астында орналасқан пісіру аспабының жұмысы кезінде ауа сорғының қол жетімді бөліктері қызуы мүмкін.

Шығарылған ауаны бұру саласындағы жергілікті уәкілетті органдардың ескертулері мен қауіпсіздік жөніндегі нұсқауларын мұқият орындаңыз.

Аспаптың ішкі және сыртқы беттерін жүйелі түрде тазалап тұрыңыз (АЙЫНА БІР РЕТТЕН ЖИІ ЕМЕС)


Аспапты тазалау, сонымен қатар сүзгілерді тазалау және ауыстыру бойынша нұсқауларды орындамау өртке себеп болуы мүмкін.

Шамдары дұрыс орнатылмаған ауа сорғыны қолдануға және қалдыруға тыйым салынады, өйткені бұл электр тоғынан зақым алуға алып келуі мүмкін.

Өндіруші осы нұсқаулық нұсқауларын орындамау салдарынан туындаған ақауларға, залалға және өртке жауап бермейді.

Бұл аспап Электрлік және электронды жабдықтардың қалдықтарын қолдану туралы 2002/96/EU еуропа деректемесіне сәйкес таңбаланған (WEEE). Бұйымды кәдеге жарату ережелерін сақтау арқылы осы сияқты қалдықтармен тиісті түрде әрекет жасамау салдарынан қоршаған ортаға және адамдардың денсаулығына зиян келтірудің алдын ала аласыз.



Бұйымдағы немесе оның ілеспе құжаттарындағы  имволы оның тұрмыстық қалдықтар ретінде кәдеге жаратылмауы тиіс екендігін көрсетеді. Бұйымды одан ары кәдеге жарату үшін оны электронды және электрлік жабдықтардың тиісті орындарына тапсырған жөн.

Бұйымды кәдеге жарату туралы толық ақпарат алу үшін жергілікті билік органдарына, шақырылатын және қалдықтарды кәдеге жаратын қызметке немесе осы бұйымды сатып алған дүкенге хабарласыңыз.

Аспап келесі стандарттар мен регламенттерге сәйкес әзірленген, сыналған және өндірілген:

- қауіпсіздік: EN/IEC 60335-1; EN/IEC 60335-2-31, EN/IEC 62233,
- жұмыс тиімділігі: EN/IEC 61591; ISO 5167-1; ISO 5167-3; ISO 5168; EN/IEC 60704-1; EN/IEC 60704-2-13; ISO 3741; EN 50564; IEC 62301,
- электромагнитті үйлесімділік: EN 55014-1; CISPR 14-1; EN 55014-2; CISPR 14-2; EN/IEC 61000-3-2; EN/IEC 61000-3-3.

Қоршаған ортаға әсерді азайту үшін пайдалану жөніндегі ұсыныстар

Дайындауды бастаған кезде ауа сорғыны минималды жылдамдықпен ҚОСЫҢЫЗ. Дайындау аяқталғаннан кейін ауа сорғыны бірнеше минут қосылған күйде қалдырыңыз. Булану қарқындылығы артқан кезде ғана жұмыс жылдамдығын ұлғайтыңыз. Турбо режимді немесе ең жоғары жылдамдықты қажет болған кезде ғана қолданыңыз. Жағымсыз иістерді тиімді жою үшін көмір сүзгілерді (көмір сүзгіні) уақытылы ауыстырыңыз. Май сүзгілерінің (май сүзгіні) жұмыс жасау тиімділігін жоғалтпау үшін оларды жүйелі түрде ауыстырып тұрыңыз. Осы нұсқаулықта берілген рұқсат етілген диаметрі үлкен сору шлангтарын қолданыңыз, бұл сорғының барынша тиімді жұмыс жасауын қамтамасыз етеді және шу деңгейін азайтады.

Орнату жөніндегі қосымша нұсқаулар

Монтаждау үшін жиынтықта жеткізілетін бұрандаларды қолданыңыз. Егер бұрандалар жеткізу жиынтығына кірмейтін болса, типі сәйкес келетін бұрандаларды сатып алыңыз. Бұранда ұзындығы ОРНАТУ бөлімінде көрсетілген параметрлерге сәйкес келуі тиіс. Егер күмән туындаса, авторлық құқығы бар сервис маманына хабарласыңыз.

ЕСКЕРТУ! Осы нұсқаулық талаптарына сәйкес келмейтін бұрандалар мен бекіту бөлшектерін қолдану электр тоғынан зақым алуға алып келуі мүмкін.

ҚОЛДАНУ

Ауа сорғы ауа бұру немесе қайта айналдыру режимінде жұмыс жасай алады.



Ауа бұру режимінде жұмыс жасау

Бұру режимінде ластанған ауа бөлмеден ауа сорғының жоғарғы бөлігіндегі ауа шығару саңылауына бекітілетін арнайы сору шлангасына беріледі.

Назар аударыңыз! Сору шлангасы жеткізу жиынтығына кірмейді және жеке сатып алынады. Шланг диаметрі ауа шығару саңылауының диаметріне сәйкес келуі тиіс.

Горизонталь орналастыру кезінде шығарылған ауаны кедергісіз бұруды қамтамасыз ету үшін шлангты жоғарыға қарай 10° көлбеулікпен орналастырыңыз.

Назар аударыңыз! Егер көмір сүзгісі орнатылған болса, оны ағытып алыңыз.

Ауа сорғыны қабырғадағы саңылауға жалғар алдында сору шлангасының диаметрі ауа шығару саңылауының диаметріне сәйкес келуі тиіс.

Сору шлангасының және қабырғадағы саңылаудың шағын диаметрі ауа шығару тиімділігін азайтады және шу деңгейін айтарлықтай арттырады. Бұл жағдайда өндіруге жауапкершілік көтермейді.

- ! Жүргізілген сору шлангасының өте ұзын болмауы маңызды.
- ! Сору шлангасын барынша көп майыстырмай жүргізіңіз. Майыстырудың максималды бұрышы 90°.
- ! Соратын шланг диаметрін аз ғана өзгертуге тырысыңыз.
- ! Соратын шлангтың ішкі беті барынша тегіс болуы тиіс.
- ! Соратын шланг сертификатталған материалдардан жасалуы тиіс.



Қайта айналдыру режимінде жұмыс жасау

Қайта айналдыру режимінде дүкендерден немесе сервис орталығынан сатып алуға болатын көмір сүзгісі орнатылуы тиіс.

Сүзгі май бөлшектерін және иісті ұстап қалады да, тазартылған ауаны жоғарғы тор арқылы бөлмеге қайтарады.

ОРНАТУ

Ауа сорғының төменгі жиегі мен ... арасындағы минималды арақашықтық:

– электрлік пісіру беті — 50 сантиметр,

– газды/аралас пісіру беті — 65 сантиметр,

Егер газ плитаны/панельді орнату жөніндегі нұсқаулықта көбірек арақашықтық көрсетілген болса, осы арақашықтықты есепке алыңыз.



Электр желісіне жалғау

Жалғар алдында аспап ішіндегі зауыттық жапсырмада көрсетілген деректердің электр желісінің нақты параметрлеріне сәйкес келетінін тексеріп алыңыз. Егер ауа сорғының байланыстыру кабелі ашамен жабдықталған болса, ашаны қолданыстағы ережелерге сәйкес орнатылған және қол жетімді жерде орналасқан розеткаға тығыңыз. Егер ауа сорғының байланыстыру кабелі ашамен жабдықталмаса немесе розетка қол жетімсіз жерде орналасса, аспапты орнату жөніндегі нұсқаулыққа сәйкес III санатты шектен тыс кернеу туындаған кезде желіні толықтай ажыратуды қамтамасыз ететін қос полюсті сөндіргішке жалғаңыз.

Ескерту! Ауа сорғыны электр желісіне жалғар және жұмысының дұрыстығын тексерер алдында байланыстыру кабелінің дұрыс жалғанғанына көз жеткізіңіз.

Ауа сорғысы тиісті кабельдерімен бірге жеткізіледі. Егер кабель бүлінсе, ауыстыру үшін авторлық құқығы бар сервис орталығына хабарласыңыз.

Монтаждау

Ауа сорғы ауыр, сондықтан оны кемінде екі адам тасымалдауы және монтаждауы тиіс. Монтаждауды бастамас бұрын:

- Бұйымның өлшемі бойынша монтаждалатын жерге сәйкес келетінін тексеріңіз.
- Егер ауа сорғысы жиынтығында көмір сүзгілері (көмір сүзгісі) (*) бар болса, оны ауыстырыңыз (тиісті бөлімді қараңыз). Егер ауа сорғыны қайта айналдыру режимінде қолданатын болсаңыз, көмір сүзгілерін (көмір сүзгісін) орнатыңыз.
- Ауа сорғының ішінде тасымалдау кезінде еніп кетуі мүмкін қандай да бір заттардың бар-жоғын тексеріңіз, мысалы, бұрандалары бар пакет (*), кепілдік парағы (*) және егер бар болса, міндетті түрде алыңыз.
- Монтаждалатын жердегі қабырғаға немесе төбеге еркін қатынауы қамтамасыз ету үшін мүмкіндігінше плитаны электр желісінен ажыратыңыз және ысырып қойыңыз немесе пісіру бетін үстел бетінен шығарып алыңыз. Егер бұл мүмкін болмаса, плитаны немесе пісіру бетін бұзылулардан қорғау үшін қалың материалмен жабыңыз. Ауа сорғыны құрастыруды тегіс бетте жүргізіңіз. Бетін қорғайтын материалмен жабыңыз және ауа сорғының бөлшектері мен бекіту бөлшектерін шығарып қойыңыз.
- Ауа сорғыны монтаждайтын жерде монтаждау аяқталғаннан кейін еркін қатынауы қамтамасыз ететін розетканың бар жоғын және шығарылған ауаны бұруға арналған каналға жалғануын тексеріңіз.
- Қажетті құрылыс-монтаж жұмыстарын орындаңыз (розетканы орнату, шығаратын шлангқа арналған саңылауды жасау).

Ауа сорғыны түрлі қабырғалар мен төбеге бекіту үшін дюбельдер ұсынылады. Монтаждауды бастамас бұрын білікті маман қабырға беті мен төбенің сәйкестігін тексеруі тиіс. Қабырға немесе төбе аспап салмағына шыдау үшін берік болуы тиіс. Ауа сорғыны қабырғаға сұйық шегенің, силиконның және т.б. Көмегімен бекітпеңіз. Аспап тек ілінетін монтаждауға арналған.

Өнім сапасына қойылатын талаптарды мына мекен-жай бойынша жіберуіңізді сұраймыз:

Қазақстан Республикасы, Алматы қаласы, Бегалин қ. 19\49, Пр-во «Gorenje», тел 8 (727) 293 03 07

Претензии по качеству продукции направлять по адресу: Республика Казахстан,

г. Алматы, ул. Бегалина, дом 19\49, Пр-во «Gorenje» 8 (727) 293 03 07

Қытайда жасалған



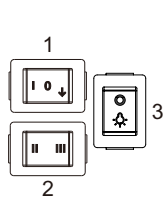
ЖҰМЫСЫ

Асханада түтін мен иіс қарқындығы жоғары болған кезде жоғары жылдамдықты қосыңыз. Ауа сорғыны дайындауды бастар алдында 5 минут қосу, дайындау барысында оны қосылған күйде қалдыру және дайындау аяқталғаннан кейін шамамен 15 минут өшірмеу ұсынылады. Төменде басқарудың үш түрінің сипаттамасы берілген.

АУЫСТЫРЫП ҚОСҚЫШТАРМЕН БАСҚАРУ

Сорғы әр жағында орналасқан үш ауыстырып қосқыш көмегімен басқарылады. Ауыстырып қосқыштар телескоп бөлігін жылжитқан кезде көрінеді.

Телескопты сорғы автоматты өшіргішпен жабдықталған. Телескоп бөлігін жылжитқаннан кейін сорғы осыған дейін орнатылған жылдамдыққа қосылады.



- 0 – Сорғы өшірілген.
I – Сорғы 1-жылдамдықпен жұмыс жасайды.
↓ – 2 немесе 3-жылдамдықтарға ауысу.
- II – Сорғы 2-жылдамдықпен жұмыс жасайды (1-ауыстырып қосқыш ↓ күйінде тұрған кезде).
III – Сорғы 3-жылдамдықпен жұмыс жасайды (1-ауыстырып қосқыш ↓ күйінде тұрған кезде).
- O / - ⚙️ – жарықты ҚОСУ/ӨШІРУ.

⚙️ символы бар ауыстырып қосқыш жарықты қосады немесе өшіреді. Жарық сорғы моторына тәуелсіз жұмыс жасайды. ⚙️ батырмасын басу моторды өшірмейді.

Телескоп бөлігін жапқаннан кейін өшіргіш автоматты түрде жарықты және сорғы моторын қосады. Егер жылдамдықты және жарықты ауыстырып қосқыштар қосылған болса, онда телескоп бөлігін жылжитқан кезде мотор мен жарық автоматты түрде қосылады.

БАТЫРМАЛАРМЕН БАСҚАРУ



- ⚙️ – сорғыны ҚОСУ/ӨШІРУ. Сорғыны 1-жылдамдықпен қосады.
- ⚙️ – 2-жылдамдықты қосу үшін басыңыз.
- ⚙️ – 3-жылдамдықты қосу үшін басыңыз.
- ⚙️ – Жарықты қосу үшін басыңыз. Жарықты өшіру үшін қайта басыңыз.

СЕНСОРМЕН БАСҚАРУ



① – Жылдамдықты таңдау мүмкін болуы үшін ҚОСУ/ӨШІРУ сенсорын басыңыз.

☼ – 1-жылдамдықты қосу үшін басыңыз. gombot.

☼ – 2-жылдамдықты қосу үшін басыңыз.

☼ – 3-жылдамдықты қосу үшін басыңыз.

☼ – Жарықты қосу үшін басыңыз. Жарықты өшіру үшін қайта басыңыз.

ҚЫЗМЕТ КӨРСЕТУ

НАЗАР АУДАРЫҢЫЗ! Тазалауды және басқа да кез келген жұмыстарды бастамас бұрын аспаптың байланыстыру кабелінің электр қорегінен ажыратылғанына немесе жалпы электр желісін өшіргіштің сөндірілгеніне көз жеткізіп алыңыз.

Егер аспап электр желісіне розетка арқылы жалғанса, одан байланыстыру кабелінің ашасын ажыратыңыз.

Тазалау

Аспаптың ішкі және сыртқы беттерін жүйелі түрде тазалап тұрыңыз (май сүзгілерінен жиі емес). Тазалау үшін бейтарап сұйық тазалау құралына малынған матаны қолданыңыз. Абразивтік тазалау құралдарын қолдануға болмайды. **СПИРТТІ ҚОЛДАНУҒА ТЫЙЫМ САЛЫНАДЫ!**

ЕСКЕРТУ! Аспапты тазалау және сүзгілерді ауыстыру ережелерін орындамау өртке алып келуі мүмкін, сондықтан берілген нұсқауларды орындау ұсынылады. Өндіруші мотордың ықтимал ақауларына және дұрыс жөндемеу немесе берілген нұсқауларды орындамау салдарынан болған өртке жауап бермейді.

Сүзгілер

Металл май сүзгісі май бөлшектерін ұстап қалады. Май сүзгісін айына бір рет агрессивті емес жуу құралдарымен қолмен немесе ыдыс жуу машинасында жылдам бағдарламада төмен температурамен тазалаңыз. Ыдыс жуу машинасында жуу кезінде сүзгі түсі өзгеруі мүмкін, бірақ бұл сүзгі жұмысына әсер етпейді. Май сүзгісін шығарып алу үшін оның тұтқасынан төмен тартыңыз.

Көмір сүзгісі (қайта айналдыру режимінде жұмыс жасау үшін) дайындау кезінде пайда болатын жағымсыз иістерді жұтады. Сүзгінің қызмет ету мерзімі мен дәрежесі күн сайын дайындау қарқындығына және май сүзгісін тазалау жиілігіне байланысты болады. Кез келген жағдайда көмір сүзгісінің картриджін әр төрт ай сайын ауыстыру қажет. Көмір сүзгісін жууға және өзгертуге **БОЛМАЙДЫ**.

Шамдарды ауыстыру

Ауа сорғысы оңтайлы жарықтандыруды қамтамасыз ететін, қарапайым шамдармен салыстырғанда 10 есе ұзақ қызмет ететін және электр энергиясын 90% дейін үнемдейтін жарық диодты шамдармен жабдықталған.

ЕСКЕРТУ!

Ауыстыру үшін техникалық қызмет көрсету бөліміне хабарласыңыз.

Электр энергиясын үнемдеу бойынша кеңестер

- 1) Дайындауды бастаған кезде бу мен иіс шығаруды бақылау үшін ауа сорғысын минималды жылдамдықпен қосыңыз.
- 2) Булану қарқындылығы артқан кезде ғана ауа сорғысының жұмыс жылдамдығын ұлғайтыңыз.
- 3) Май буы мен иісті тиімді жою үшін ауа сорғысының сүзгілерін (сүзгісін) жүйелі түрде ауыстырып тұрыңыз.

Atidžiai laikykitės instrukcijų, pateiktų šiame vadove. Mes neatsakome už jokių nepatogumus, žalą arba gaisrus, atsiradusius dėl to, kad nesilaikoma šiame vadove pateiktų nurodymų. Gaubtas skirtas sugerti virimo dūmus ir garus ir skirtas naudoti tik namie.

Gaubtas gali atrodyti kitaip, nei nurodyta šioje brošiūroje. Tačiau jo naudojimo, priežiūros ir montavimo instrukcijos yra tos pačios.

- ! Svarbu visada išsaugoti šią brošiūrą pasiskaitymui. Parduodant, perkeliančiam ar perleidžiant, atiduokite šią brošiūrą kartu su gaminiu.
- ! Atidžiai perskaitykite instrukcijas: jose yra svarbi informacija apie montavimą, naudojimą ir saugą.
- ! Nebandykite atlikti gaminio elektros arba mechaninių dalių bei išleidimo vamzdžių keitimų.
- ! Prieš pradėdami montuoti prietaisą, patikrinkite, ar nėra pažeistų komponentų. Priešingu atveju kreipkitės į savo platintoją ir netęskite montavimo.

Pastaba: elementai, pažymėti simboliu (*), yra papildomi priedai, įsigijami tik su tam tikrais modeliais ar elementais.



ATSARGIAI

ĮSPĖJIMAS! Nejunkite prietaiso prie maitinimo tinklo, kol visiškai nebaigsite montavimo.

Prieš atliekant valymo arba priežiūros darbus, atjunkite gaubtą nuo elektros tinklo, ištraukę kištuką arba atjunkite elektros maitinimo laidą.

Atlikdami visus montavimo ir techninės priežiūros darbus visada mūvėkite darbinės pirštines.

Prietaisas nėra skirtas naudoti vaikams ar neįgaliems žmonėms su fizineis, jautrumo ar psichikos sutrikimais, arba neturintys pakankamai patirties ir žinių, išskyrus atvejus, kai jie dirba prižiūrimi arba nurodymus dėl prietaiso naudojimo iš asmens, atsakingo už jų saugumą.

Šis prietaisas skirtas naudoti suaugusiems, o jį naudojančius vaikus reikia stebėti, siekiant užtikrinti, kad jie nežaistų su prietaisu.

Šis prietaisas skirtas naudoti suaugusiems. Vaikams neturėtų būti leidžiama manipuliuoti valdikliu ar žaisti su prietaisu.

Niekada nenaudokite gaubto be gerai sumontuotų grotelių!

Jei nenurodyta kitaip, niekada nenaudokite gaubto kaip pagalbinio paviršiaus, nebent konkrečiai taip nurodyta.

Patalpos, kuriose sumontuotas prietaisas, turi būti gerai vėdinamos, kai virtuvės gaubtas naudojamas kartu su kitais dujų arba kito kuro deginimo įrenginiais.

Šio prietaiso vamzdžių sistemos negalima jungti prie esamos ventiliacijos sistemos, kuri naudojama kitam tikslui, pavyzdžiui, dujų ar kito kuro deginimo prietaisų išmetamųjų dujų išleidimui.

Griežtai draudžiama deginti maisto produktus po gaubtu.

Atviros liepsnos naudojimas kenkia filtrams ir gali sukelti gaisro pavojų, todėl jo visada reikia vengti.

Kepti reikia atsargiai, kad neperkaistų ir neužsidegtų aliejus. Naudojant gaubtą, jo pasiekiamos dalys gali įkaisti.

Atsižvelgiant į technines ir saugos priemones, kurių reikia imtis dūmų išleidimui, svarbu atidžiai laikytis vietos valdžios institucijų pateiktų nurodymų.

Gaubtą reikia reguliariai valyti tiek iš vidaus, tiek iš išorės (mažiausiai vieną kartą per mėnesį).


Tai turi būti atliekama pagal šiame vadove pateiktas techninės priežiūros instrukcijas). Jei nesilaikysite šiame vartotojo vadove pateiktų instrukcijų, susijusių su gaubto ir filtrų valymu, padidės gaisro pavojus.

Dėl galimo elektros smūgių pavojaus nenaudokite ir nepalikite gaubto be tinkamai sumontuotos lemputės.

Mes neprisiimsime atsakomybės už gedimus, žalą arba gaisrus, kuriuos sukelia prietaisas, jei nesilaikoma šiame vadove pateiktų instrukcijų.

Šis prietaisas pažymėtas pagal Europos direktyvą 2002/96/EB dėl elektros ir elektroninės įrangos atliekų (EE[A]). Tinkami utilizuodami šį produktą, padėsite apsaugoti nuo galimų neigiamų pasekmių aplinkai ir žmogaus sveikatai, kurias gali sukelti netinkamas šio produkto atliekų tvarkymas.



Simbolis  ant gaminio arba kartu su juo pridėdamuose dokumentuose rodo, kad šis prietaisas negali būti išmetamas kartu su buitinėmis atliekomis. Vietoj to jį reikia priduoti į tinkamą elektros ir elektroninės įrangos surinkimo punktą perdirbti. Atliekos turi būti tvarkomos pagal vietinius aplinkosaugos reikalavimus atliekų šalinimui.

Jei norite gauti išsamesnės informacijos apie šio gaminio gamybą, surinkimą ir perdirbimą, kreipkitės į atitinkamą vietinių valdžios institucijų skyrių arba vietos buitinių atliekų skyrių arba parduotuovę, kurioje pirkote šį gaminį.

Prietaisas suprojektuotas, išbandytas ir pagamintas pagal:

- Sauga: EN/IEC 60335-1; EN/IEC 60335-2-31, EN/IEC 62233.
- Veikimas: EN/IEC 61591; ISO 5167-1; ISO 5167-3; ISO 5168; EN/IEC 60704-1; EN/IEC 60704-2-13; ISO 3741; EN 50564; IEC 62301.
- EMS: EN 55014-1; CISPR 14-1; EN 55014-2; CISPR 14-2; EN/IEC 61000-3-2; EN/IEC 61000-3-3.

Pasiūlymai, kaip teisingai naudoti šį gaminį, siekiant sumažinti poveikį aplinkai: Kai pradėsite gaminti maistą, įjunkite gaubtą mažiausiu greičiu ir palikite keletą minučių po to, kai baigsite gaminti. Padidinkite greitį tik esant dideliame dūmų ir garų kiekiui ir naudokite didesnį greitį tik ekstremaliose situacijose. Jei reikia, pakeiskite anglies filtrą (-us), kad prietaisais ir toliau gerai sugertų kvapus. Jei reikia, išvalykite riebalų filtrą (-us), kad prietaisais ir toliau gerai sugertų kvapus. Norėdami optimizuoti efektyvumą ir sumažinti triukšmą, naudokite didžiausio šiame vadove nurodytą skersmens ortakių sistemą.

Papildomos montavimo specifikacijos:

Naudokite tik tvirtinimo varžtus, pridėdamus kartu su gaminiu, arba, jei nenurodyta, įsigykite tinkamo tipo varžtus. Naudokite tinkamo tipo ir ilgio varžtus, kurie yra nurodyti montavimo vadove.

Jei kiltų abejonų, kreipkitės į įgaliotą techninės priežiūros centrą ar panašios kvalifikacijos asmenį.

ĮSPĖJIMAS! Naudojant varžtus ar tvirtinimo detales ne pagal šias instrukcijas, gali kilti pavojus.

NAUDOJIMAS

Gaubtas skirtas naudoti išpūsti arba filtruoti orui.



Dujų išmetimo sistema:

Tokiu atveju dūmai išpučiami už pastato ribų specialiu vamzdžiu, prijungtu prie jungimo žiedo, esančio virš gaubto.

Dėmesio! Išmetimo vamzdis prie gaminio nepridedamas ir turi būti perkamas atskirai. Išmetimo vamzdžio skersmuo turi būti lygus jungiamojo žiedo skersmeniui.

Horizontaliuose vamzdynuose išmetimo vamzdis turi būti šiek tiek nukreiptas į viršų (maždaug 10°), kad oras lengvai išeitų iš kambario į išorę.

Dėmesio! Jei gaubtas tiekiamas su aktyviu anglies filtru, tada jį reikia išimti.

Sujunkite gaubtą su išleidimo anga sienoje, kurios skersmuo yra lygus gaubto oro išleidimo angai (jungiamasis flanšas).

Naudojant mažesnių matmenų vamzdžius ir išleidžiamas skylės sienose sumažėja siurbimo našumas ir žymiai padidėja triukšmas.

Todėl gamintojas neatsako už prastesnį prietaiso veikimą tokiu atveju.

- ! Naudokite minimalaus būtino ilgio kanalą.
- ! Naudokite vamzdį su kuo mažesniu skaičiumi alkūnių (didžiausias alkūnės kampas: 90°)
- ! Venkite didelių kanalo skerspjūvio pokyčių.
- ! Naudokite vamzdį kuo lygesniu vidumi.
- ! Vamzdis turi būti pagamintas iš sertifikuotos medžiagos.



Filtro versija

Jai reikia vieno aktyviosios anglies filtro, kurį galima gauti iš įprasto mažmenininko.

Filtras pašalina riebalus ir kvapus iš siurbiamo oro, prieš išleidamas jį atgal į kambarį per viršutinės išleidimo angos groteles.

ĮRENGIMAS

Minimalus atstumas tarp viryklės atraminio paviršiaus ir apatinės gaubto dalies turi būti ne mažesnis kaip 50 cm nuo elektrinių viryklių ir 65 cm nuo dujinių arba mišrių viryklių.

Jei dujinės viryklės montavimo instrukcijose nurodomas didesnis atstumas, jo reikia laikytis.



Elektros jungtys

Maitinimo tinklo įtampa turi atitikti techninių duomenų plokštėje nurodytą reitingą. Jei įrengtas kištukas, prijunkite gaubtą prie lizdo pagal taikomus reikalavimus ir įtvirtinkite esamoje vietoje. Jei kištuko (tiesioginio maitinimo tinklo jungties) nėra arba jei kištukas toli, po montavimo naudokite dvigubų polių jungiklį pagal standartus, kurie užtikrina visišką atjungimą nuo maitinimo tinklo, III virššrovio kategoriją pagal montavimo instrukcijas.

Įspėjimas! Prieš vėl prijungdami gaubto elektros grandinę prie maitinimo tinklo ir tikrindami, ar veikia, visada patikrinkite, ar tinkamai sumontuotas maitinimo laidas.

Gaubtas turi specialų maitinimo kabelį; Jei kabelis sugadintas, kreipkitės į techninę tarnybą dėl naujo.

Montavimas

Labai sunkus gaminys; Gaubtą kelti ir montuoti turi ne mažiau kaip du asmenys. Prieš pradėdami montuoti:

- Patikrinkite, ar įsigytas gaminys yra tinkamo dydžio ir telpa į pasirinktą montavimo vietą.
- Nuimkite anglies (*) filtrą/s, jei yra (taip pat žr. susijusių skyrių). Jį galima montuoti tik tuo atveju, jei su gaubtu norite naudoti filtrą.
- Patikrinkite (transportavimo atveju), ar gaubte nėra pašalinių pakuotės medžiagų (pvz., paketų su varžtais (*), garantijos lapelio (*) ir t.t.). Jei yra – išimkite ir padėkite atskirai.
- Jei galima, atjunkite ir nustumkite laisvą arba slankiojančią sritį nuo spintelės angos, kad lengviau pasiektumėte galinę sieną/lubas. Priešingu atveju uždėkite storą apsauginę dangą ant stalviršio arba viryklės, kad apsaugotumėte nuo pažeidimų ir šiukšlių. Pasirinkite plokščią paviršių montavimui. Uždenkite šį paviršių apsaugine dangą ir sudėkite ant jos visas gaubto dalis ir techninę įrangą.
- Be to, patikrinkite, ar šalia gaubto įrengimo zonos (vieta, kuri yra prieinama ir sumontavus gaubtą) yra elektros lizdas, ir ar dūmų išleidimo įtaisą galima prijungti prie išorės (tik siurbimo versijai).
- Atlikite visus reikalingus mūro darbus (pvz., sumontuokite elektros lizdą ir (arba) skylę išleidimo vamzdžiui).

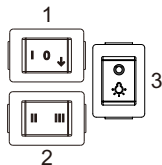
Sieniniai plėtimosi kaiščiai yra skirti montuoti gaubtą ant daugumos rūšių sienų/lubų. Tačiau kvalifikuotas specialistas privalo patikrinti medžiagų tinkamumą pagal sienų/lubų tipą. Sienos/lubos turi būti pakankamai tvirtos, kad atlaikytų gaubto svorį. Nemontuokite šio prietaiso ant plytelių, skiedinių ar silikono sienos. Montavimas tik ant paviršiaus.

VEIKIMAS

Koncentruotų virtuvės garų atveju naudokite didelį siurbimo greitį. Rekomenduojama įjungti virimo gaubtą 5 minutes prieš ruošiant maistą ir palikti veikti virimo metu ir dar maždaug 15 minučių maždaug po maisto gaminimo pabaigos. Toliau aprašyti du veikimo būdai.

PERJUNGIKLIS

Gaubto veikimas valdomas (trimis) jungikliais, kurie yra kiekvienoje pusėje. Jie matosi, kai išstumiami teleskopinė priekinė dalis. Teleskopinis gaubtas turi galinį jungiklį. Kiekvieną kartą ištraukus teleskopinę priekinę dalį, gaubtas pradeda veikti su anksčiau nustatyta pavara.



1. 0 – Išjungia gaubtą.
I – gaubtas veikia 1 greičiu.
↓ – perjungiamas į II arba III variklio greitį
2. II – gaubtas veikia 2 greičiu (kai jungiklis 1 yra padėtyje ↓) .
III – gaubtas veikia 3 greičiu (kai jungiklis 1 yra padėtyje ↓) .
3. O / -⊙- – šviesa įjungta / išjungta.

Mygtukas ⊙ naudojamas įjungti arba išjungti apšvietimą. Apšvietimas gaubte veikia nepriklausomai nuo gaubto variklio veikimo. Paspaudus ⊙ gaubto variklis neįjungiamas.

Kai priekinis skydelis gražinamas į uždara padėtį, galinis jungiklis išjungia gaubto variklį ir taip pat išjungia šviesą.

Jei gaubto variklis ir šviesos jungiklis jau yra ĮJUNGTI, gaubto variklis pradės veikti, o lempučių užsidegs, kai bus ištrauktas priekinis skydas.

VALDYMAS MYGTUKAIS



- ① – Gaubto ĮJUNGIMAS / IŠJUNGIMAS. Paspaudus mygtuką, gaubtas pradės veikti 1 greičiu.
- ⊙ – Paspauskite greičio jungiklį 2 ir paleiskite variklį 2 greičiu.
- ⊙ – Paspauskite greičio jungiklį 3 ir paleiskite variklį 3 greičiu.
- ⊙ – Lempučių įjungimo mygtukas. Paspauskite dar kartą, kad išjungtumėte lempučių.

LIEČIAMASIS VALDYMAS



- ① – Paspauskite įjungimo / išjungimo mygtuką, kad pradėtumėte pasirinkti variklio greitį.
- ⊙ – Paspauskite greičio jungiklį 1 ir paleiskite variklį 1 greičiu.
- ⊙ – Paspauskite greičio jungiklį 2 ir paleiskite variklį 2 greičiu.
- ⊙ – Paspauskite greičio jungiklį 3 ir paleiskite variklį 3 greičiu.
- ⊙ – Norėdami įjungti lempučių, paspauskite įjungimo mygtuką. Paspauskite dar kartą, kad išjungtumėte lempučių.

PRIEŽIŪRA

DĖMESIO! Prieš atliekant techninę priežiūrą, ištraukite gaubtą iš elektros maitinimo, išjunkite jungtį ir nuimkite jungties saugiklį.

Arba jei prietaisas buvo prijungtas per kištuką ir lizdą, tada kištuką reikia ištraukti iš lizdo.

Valymas

Gartraukį reikia reguliariai valyti (bent jau tokiu pačiu dažniu, kuriuo atliekate riebalų filtrų techninę priežiūrą) iš vidaus ir išorės. Valykite drėgnu skudurėliu, sudrėkintu neutraliu plovimo skysčiu. Nenaudokite abrazyvinių produktų. **NENAUDOKITE ALKOHOLIO!**

ĮSPĖJIMAS: Nesilaikant pagrindinių gaubto valymo ir filtrų keitimo rekomendacijų, galima sukelti gaisro pavojų. Todėl rekomenduojame laikytis šių instrukcijų. Gamintojas neatsako už jokią variklio žalą ar bet gaisras, susijusį su netinkama technine priežiūra arba minėtų saugumo rekomendacijų nesilaikymu.

Filtrai

Metalinis riebalų filtras sulaiko kepimo riebalų daleles. Riebalų filtrą reikia valyti kartą per mėnesį naudojant neagresyvius ploviklius rankomis arba indaplovėje, kuri turi būti nustatyta žemoje temperatūroje ir trumpam ciklui. Plaunant indaplovėje, riebalų filtras gali pakeisti spalvą, tačiau tai neturi įtakos jo filtravimo galiai. Norėdami išimti riebalų filtrą, patraukite spyruoklinę atleidimo rankenėlę.

Anglinis filtras (tik filtro versijoje) sugeria nemalonius kvapus, kuriuos sukelia maisto ruošimas. Po tam tikro laiko naudojimo medžio anglies filtras prisisotina, priklausomai nuo gaminamo maisto tipo ir riebalų filtro valymo dažnio. Bet kuriuo atveju reikia keisti kasetę ne rečiau kaip kas keturis mėnesius. Medžio anglies filtro **NEGALIMA** plauti ar regeneruoti.

Lempučių keitimas

Gaubte yra įrengta apšvietimo sistema, pagrįsta LED technologija. Šviesos diodai užtikrina optimalų apšvietimą, trunkantį iki 10 kartų ilgiau nei tradicinės lemputės, ir leidžia sutaupyti iki 90% elektros energijos.

ĮSPĖJIMAS

Jei norite juos pakeisti, kreipkitės į techninio aptarnavimo tarnybą.

Energijos taupymo patarimai

- 1) Pradėjus gaminti maistą, įjunkite gartraukį mažiausiu greičiu, kad būtų galima kontroliuoti drėgmę ir šalinti maisto ruošimo kvapus.
- 2) Padidinkite gartraukio greitį tik tuo atveju, jei to reikia dėl garų kiekio.
- 3) Gartraukio filtras (ai) visada turi būti švarūs, siekiant optimizuoti riebalus ir kvapus.

Stingri ievērojiet šajā rokasgrāmatā sniegtos norādījumus. Ražotājs neuzņemas atbildību par iespējamām neērtībām, kaitējumu vai ugunsgrēku, ko izraisījis šīs rokasgrāmatas norādījumu neievērošana. Tvaika nosūcējs ir izstrādāts ēdiena gatavošanas rezultātā radušos tvaiku un garaiņu nosūkšanai un ir paredzēts tikai lietošanai māsaiemniecībās.

Jūsu iegādātais tvaika nosūcējs var atšķirties no šajā bukletā attēlotā tvaika nosūcēja. Tomēr lietošanas, uzturēšanas un uzstādīšanas norādījumi ir tādi paši.

- ! Noteikti saglabājiet šo brošūru, lai jebkurā brīdī varētu to izmantot. Pārliecinieties, ka tā tiek nodota kopā ar iekārtu, ja tvaika nosūcēju pārdodat, atdodat vai pārvietojat.
- ! Rūpīgi izlasiet norādījumus - tajos ir būtiska informācija par iekārtas uzstādīšanu, lietošanu un drošību.
- ! Neveiciet iekārtā vai izvades kanālos elektriskas vai mehāniskas izmaiņas.
- ! Pirms iekārtas uzstādīšanas pārbaudiet, vai nav bojātas iekārtas daļas. Ja konstatējat bojājumu, sazinieties ar tirgotāju un neturpiniet uzstādīšanu.

Ievērojiet! Daļas, kas apzīmētas ar simbolu “(*)”, ir izvēles piederumi, kas iekļauti tikai dažu modeļu vai daļu komplektācijā, un nav iekļauti visās iekārtās.



UZMANĪBU

BRĪDINĀJUMS! Nepievienojiet iekārtu elektrotīklam, pirms iekārta ir pilnībā uzstādīta.

Pirms tīrīšanas vai apkopes veikšanas atvienojiet tvaika nosūcēju no elektrotīkla, izvelkot kontaktdakšu vai atvienojot elektrotīkla strāvas padevi.

Uzstādīšanas un apkopes darbu laikā vienmēr valkājiet cimdus.

Iekārta nav paredzēta bērniem vai personām ar ierobežotām fiziskām, sensorām vai garīgām spējām, bez pieredzes un zināšanām, izņemot gadījumus, kad tās saistībā ar ierīces lietošanu uzrauga vai apmāca persona, kas atbild par viņu drošību.

Šī iekārta ir paredzēta lietošanai pieaugušajiem; jāragūas, lai bērni nerotaļātos ar ierīci.

Šī iekārta ir paredzēta lietošanai pieaugušajiem. Jānodrošina, lai bērni neaizskartu iekārtas vadības pogas un nerotaļātos ar iekārtu.

Nekādā gadījumā nelietojiet tvaika nosūcēju, ja tam nav pienācīgi uzstādīts režģis!

Tvaika nosūcēju NEKĀDĀ GADĪJUMĀ nedrīkst izmantot kā atbalsta virsmu, ja vien tas nav īpaši norādīts.

Ja virtuves tvaiku nosūcēju izmanto kopā ar citām gāzes vai citu degvielas sadedzināšanas iekārtām, telpām, kurās uzstāda iekārtu, jābūt pietiekami ventilētām.

Šai iekārtai izmantotā cauruļvadu sistēma nedrīkst būt savienota ar jau esošu ventilācijas sistēmu, ko izmanto citiem nolūkiem, piemēram, izplūdes gāzu izvadīšanai no iekārtām, kurās dedzina gāzi vai cita veida degvielu.

Stingri aizliegts zem tvaika nosūcēja dedzināt ēdienu ar liesmu.

Atklātas liesmas izmantošana ir kaitīga filtriem un var radīt aizdegšanās risku tādēļ no tās jebkādos apstākļos ir jāizvairās.

Cepot ēdienu, jāuzmanās, lai eļļa nepārkarstu un neaizdegtos. Izmantojot tvaika nosūcēju kopā ar ēdiena gatavošanas iekārtu, tvaika nosūcēja ārējās daļas var sakarst.

Nodrošinot tvaiku izplūdes tehniskos un drošības pasākumus, stingri jāievēro vietējo iestāžu noteiktie normatīvie akti.

Tvaika nosūcējs regulāri jātīra gan no iekšpuses, gan ārpusē (NE RETĀK KĀ REIZI MĒNESĪ).


Tas jāveic saskaņā ar šajā rokasgrāmatā sniegtajiem norādījumiem). Šajā lietošanas pamācībā sniegto norādījumu par tvaika nosūcēja un filtru tīrīšanu neievērošana radīs aizdegšanās risku.

Lai novērstu iespējamu elektrošoka risku, nelietojiet tvaika nosūcēju un neatstājiet to, ja tajā nav pareizi nostiprināta lampiņa.

Mēs neuzņemsimies atbildību par iekārtas izraisītiem defektiem, bojājumiem vai ugunsgrēkiem, ja tie radušies šajā rokasgrāmatā iekļauto norādījumu neievērošanas dēļ.

Šī ierīce ir marķēta atbilstoši Eiropas Direktīvai 2002/96/ES par elektrisko un elektronisko iekārtu atkritumiem (EEIA). Pareizi atbrīvojoties no šīs iekārtas, jūs palīdzat novērst iespējamu negatīvu ietekmi uz apkārtējo vidi un cilvēku veselību, kas varētu rasties, nepareizi atbrīvojoties no ierīces.



Simbols  uz iekārtas vai iekārtas pavaddokumentiem norāda, ka šo iekārtu nedrīkst izmest sadzīves atkritumos. Iekārta ir jānodod speciālā elektrisko un elektronisko ierīču atkritumu savākšanas punktā otrreizējai pārstrādei. Atbrīvošanās no iekārtas jāveic saskaņā ar vietējiem vides aizsardzības noteikumiem atkritumu apsaimniekošanai.

Lai saņemtu sīkāku informāciju par šīs iekārtas sagatavošanu un nodošanu pārstrādei un pārstrādi, sazinieties ar vietējām iestādēm vai vietējo mājsaimniecības atkritumu apsaimniekošanas nodaļu, vai veikal, kurā iegādājieties šo iekārtu.

Iekārta ir konstruēta, izmēģināta un ražota saskaņā ar tālāk minētajiem normatīvajiem standartiem.

- Drošība: EN/IEC 60335-1; EN/IEC 60335-2-31, EN/IEC 62233.
- Veiktspēja: EN/IEC 61591; ISO 5167-1; ISO 5167-3; ISO 5168; EN/IEC 60704-1; EN/IEC 60704-2-13; ISO 3741; EN 50564; IEC 62301.
- Elektromagnētiskā saderība: EN 55014-1; CISPR 14-1; EN 55014-2; CISPR 14-2; EN/IEC 61000-3-2; EN/IEC 61000-3-3.

Ieteikumi pareizai lietošanai, lai samazinātu ietekmi uz apkārtējo vidi: sākot ēdiena gatavošanu, **IESLĒDZIET** tvaika nosūcēju uz minimālo ātrumu un izslēdziet to piecas minūtes pēc ēdiena gatavošanas beigām. Palieliniet ātrumu tikai tad, ja radies liels dūmu un garaiņu daudzums, un lietojiet palielināto jaudu tikai ārkārtas situācijās. Lai saglabātu augstu smaku samazināšanas efektivitāti, vajadzības gadījumā nomainiet ogles filtru(-us). Lai saglabātu augstu tauku filtra efektivitāti, vajadzības gadījumā nomainiet tauku filtru(-us). Lai maksimāli palielinātu efektivitāti un samazinātu troksni, izmantojiet cauruļu sistēmu ar lielāko šajā rokasgrāmatā norādīto diametru.

Uzstādīšanas papildu prasības:

Izmantojiet tikai iekārtas komplektācijā uzstādīšanai paredzētās stiprinājuma skrūves; ja tās nav iekļautas komplektācijā, iegādājieties pareizo skrūvju veidu. Izmantojiet uzstādīšanas norādījumos norādīto skrūvju garumu.

Ja rodas šaubas, konsultējieties ar pilnvarotu apkopes centru vai līdzīgi kvalificētu personu.

BRĪDINĀJUMS! Ja skrūves vai stiprinājuma ierīce netiek uzstādīta saskaņā ar šiem norādījumiem, iespējams elektrības radīts apdraudējums.

LIETOŠANA

Tvaika nosūcējs ir paredzēts lietošanai izvades vai filtrēšanas variantā.



Izvades modelis

Šajā variantā izgarojumi tiek izvadīti ārpus ēkas, izmantojot īpašu cauruļi, kas pievienota ar tvaika nosūcēja augšpusē uzstādītu savienojuma gredzenu.

Uzmanību! Izvades caurule nav iekļauta komplektācijā un jāiegādājas atsevišķi. Izvades caurules diametram jābūt vienādam ar savienojuma gredzena diametru.

Horizontālajos posmos izvades caurule var būt nedaudz saliekta (apmēram 10 %) uz augšu, lai atvieglinātu gaisa izvadīšanu no telpas.

Uzmanību! Ja tvaika nosūcējs ir aprīkots ar aktīvās ogles filtru, tas ir jāizņem.

Savienojot tvaika nosūcēju ar izplūdes atverēm sienās, diametram jābūt vienādam ar gaisa izvades diametru (savienojuma uzmava).

Izmantojot caurules un izplūdes atveres sienās ar mazāku diametru, samazināsies sūkšanas veiktspēja un ievērojami palielināsies radītais troksnis.

Šādā gadījumā ražotājs neuzņemas atbildību.

- ! Lietojiet cauruli ar minimālo nepieciešamo garumu.
- ! Lietojiet cauruli ar pēc iespējas mazāk izliekumiem (maksimālais izliekuma leņķis: 90°).
- ! Sekojiet, lai nebūtu krasu izmaiņu caurules šķērsgriezumā.
- ! Lietojiet cauruli ar pēc iespējas gludāku iekšpusi.
- ! Caurulei ir jābūt izgatavotai no sertificēta materiāla.



Modelis ar filtrēšanas sistēmu

Šajā variantā ir nepieciešams aktīvās ogles filtrs, ko var iegādāties pie mazumtirgotāja.

Filtrs attīra iesūkto gaisu no taukvielām un smakām un pēc tam caur augšējo izplūdes režģi novirza attīrīto gaisu atpakaļ telpā.

UZSTĀDĪŠANA

Minimālais attālums starp plīts virsmu un tvaika nosūcēja apakšējo daļu nedrīkst būt mazāks par 50cm no elektriskajām plītiņiem un 65cm no gāzes vai jauktām plītiņiem.

Ja gāzes plīts uzstādīšanas pamācībā norādīts lielāks attālums, jāievēro šis lielākais attālums.



Elektriskais savienojums

Elektrotīkla strāvai jāatbilst uz tvaika nosūcēja iekšpusē piestiprinātās datu plāksnītes norādītajai jaudai. Ja komplektā iekļauta kontaktdakša, pēc tvaika nosūcēja uzstādīšanas savienojiet to ar pieejamā vietā un atbilstoši spēkā esošajiem noteikumiem uzstādītu kontaktlīdzi. Ja komplektā nav iekļauta kontaktdakša (tiešs savienojums ar elektrotīklu) vai kontaktdakša atrodas nepieejamā vietā, pēc uzstādīšanas ierīkojiet saskaņā ar uzstādīšanas norādījumiem un prasībām uzstādītu divpolu slēdzi, kas nodrošina pilnīgu atvienošanu no elektrotīkla saskaņā ar nosacījumiem, kas attiecas uz strāvas pārslodzes III kategoriju.

Brīdinājums! Pirms tvaika nosūcēja vairozējās pievienošanas strāvas tīklam un efektīvas darbības pārbaudes vienmēr pārliedzieties, ka strāvas tīkla kabelis ir pareizi uzstādīts.

Tvaika nosūcējs ir aprīkots ar īpašu jaudas kabeli; ja kabelis ir bojāts, pieprasiet tehnikajam dienestam jaunu kabeli.

Uzstādīšana

Iekārta ir ļoti smaga; tvaika nosūcēja pārvietošana un uzstādīšana jāveic vismaz diviem cilvēkiem. Pirms uzstādīšanas:

- Pārbaudiet, vai iegādātās iekārtas lielums ir atbilstošs izvēlētajam uzstādīšanas laukumam.
- Izņemiet ogles (*) filtru(-us), ja tie iekļauti komplektācijā (skatiet arī attiecīgo punktu). Tas/tie jāuzstāda tikai tādā gadījumā, ja vēlaties lietot tvaika nosūcēja filtra variantu.
- Pārbaudiet (transportēšanas dēļ), vai tvaika nosūcēja iekšpusē nav citu komplektācijā iekļauto materiālu (piemēram, iepakojumi ar skrūvēm (*), garantijas (*), u.c.), ja tādi ir, izņemiet un saglabājiet tos.
- Lai nodrošinātu ērtāku pieeju aizmugures sienai un griestiem, atvienojiet un pārvietojiet no vietas, kurā tiks uzstādīts tvaiku nosūcējs, atsevišķi stāvošus vai iebūvētus skapīšus vai citus objektus, ja tas iespējams. Ja tas nav iespējams, pārklājiet virtuves darba virsmu, gatavošanas virsmu vai plīti ar biezu aizsargmateriālu, lai pasargātu tos no bojājumiem un atliekām. Iekārtas montāžai izvēlieties plakanu virsmu. Pārklājiet šo virsmu ar aizsargmateriālu un novietojiet visas tvaika nosūcēja pārsega un iekārtas detaļas.
- Turklāt pārbaudiet, vai tvaika nosūcēja uzstādīšanas tuvumā (zonā, kas ir pieejama arī ar uzstādītu tvaiku nosūcēju) ir pieejama elektriskā kontaktlīdziņa un ir iespējams savienot tvaiku izvades ierīci ar ārpusi (tikai iesūkšanas variantam).
- Veiciet visus nepieciešamos iebūvēšanas darbus (piemēram, uzstādiet elektrisko kontaktlīdziņu un/vai izveidojiet atveri, pa kuru tiks izlaista izplūdes caurule).

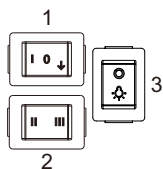
Tvaika nosūcēja nostiprināšanai parasti sienām/griestiem nepieciešami dībeļi, kas iekļauti komplektācijā. Tomēr materiālu piemērotību attiecīgajam sienas/griestu veidam jāpārbauda kvalificētam tehniķim. Sienai/griestiem jābūt pietiekami stipriem, lai noturētu tvaika nosūcēja svaru. Nemēģiniet tvaika nosūcēju piestiprināt tieši pie flīzēm, izmantot cementa javu vai silikona līmi. Drīkst izmantot tikai uzstādīšanu pie virsmas.

EKSPLUATĀCIJA

Augstas tvaiku koncentrācijas gadījumā izmantojiet lielu iesūkšanas ātrumu. Ieteicams 5 minūtes pirms gatavošanas ieslēgt plīts tvaiku nosūcēju un atstāt to darbojoties gatavošanas laikā un vēl aptuveni 15 minūtes pēc gatavošanas beigām. Tālāk ir aprakstīti trīs ekspluatācijas veidi.

BALANSĒTĀJSLĒDZIS

Tvaiku nosūcēja darbību vada ar (trīs) slēdžiem, kas ir novietoti katrā pusē. Tie kļūst redzami, kad ir izvērsta teleskopiskā priekšpuse. Teleskopiskais tvaiku nosūcējs ir aprīkots ar gala slēdzi. Katru reizi, kad tiek izvērsta teleskopiskā priekšdaļa, tvaiku nosūcējs sāk darboties iepriekš iestatītā ātrumā.



- 0 – Tvaiku nosūcēja izslēgšana.
I – Tvaiku nosūcējs darbojas 1. ātruma līmenī.
↓ – Pārslēgšana, lai ieslēgtu II vai III motora ātrumu.
- II – Tvaiku nosūcējs darbojas 2. ātruma līmenī (ja 1. slēdzis atrodas pozīcijā ↓).
III – Tvaiku nosūcējs darbojas 3. ātruma līmenī (ja 1. slēdzis atrodas pozīcijā ↓).
- O / -O – Apgaismojuma IESLĒGŠANA/IZSLĒGŠANA.

Ar -O- apzīmēto pogu lieto apgaismojuma IESLĒGŠANAI/IZSLĒGŠANAI. Tvaiku nosūcēja apgaismojums darbojas neatkarīgi no tvaiku nosūcēja motora. Pogas -O- piespiešana neiedarbinās tvaiku nosūcēja motoru.

Kad priekšējais panelis ir atvērta atpakaļ aizvērtā stāvoklī, gala slēdzis izslēdz tvaiku nosūcēja motoru, kā arī izslēdz apgaismojumu. Ja tvaiku nosūcēja motors un apgaismojuma slēdzis jau ir IESLĒGTĀ stāvoklī, tvaiku nosūcēja motors sāks darboties un apgaismojums ieslēgsies tad, kad būs izvilktis priekšējais panelis.

VADĪBA, IZMANTOJOT POGAS



- ① – IZSLĒDZ/IESLĒDZ tvaiku nosūcēja darbību. Piespiežot pogu, tvaiku nosūcējs sāks darboties 1. ātruma līmenī.
- ☞ – Piespiediet 2. pogu, lai iedarbinātu motoru 2. ātrumā.
- ☞ – Piespiediet 3. pogu, lai iedarbinātu motoru 3. ātrumā.
- O- – Apgaismojuma poga apgaismojuma IESLĒGŠANAI. Lai IZSLĒGTU apgaismojumu, piespiediet pogu vēlreiz.

SKĀRIENJUTĪGĀ VADĪBA



- ① – Lai sāktu atlasīt motora ātrumu, piespiediet ieslēgšanas/izslēgšanas pogu.
- ☞ – Piespiediet 1. pogu, lai iedarbinātu motoru 1. ātrumā.
- ☞ – Piespiediet 2. pogu, lai iedarbinātu motoru 2. ātrumā.
- ☞ – Piespiediet 3. pogu, lai iedarbinātu motoru 3. ātrumā.
- O- – Lai IZSLĒGTU apgaismojumu, piespiediet apgaismojuma pogu. Lai IZSLĒGTU apgaismojumu, piespiediet pogu vēlreiz.

APKOPE

UZMANĪBU! Pirms apkopes darbību veikšanas izolējiet tvaika nosūcēju no strāvas pievades, izslēdzot strāvu pie savienotāja un izņemot savienotāja drošinātāju.

Vai atvienojiet kontaktdakšu no kontaktligzdas, ja iekārta ir savienota, izmantojot kontaktdakšu un kontaktligzdu.

Tīrīšana

Regulāri (vismaz tikpat bieži, kā veicat tauku filtru apkopi) jātīra tvaika nosūcēja iekšpuse un ārpusē. Tīriet to, izmantojot ar dabīgu, šķīdru tīrīšanas līdzekli samitrinātu drānu. Neizmantojiet abrazīvus produktus. **NEIZMANTOJIET SPIRTU!**

BRĪDINĀJUMS! Pamata ieteikumu tvaika nosūcēja tīrīšanai un filtra nomaigai neievērošana var izraisīt ugunsgrēka risku. Tādēļ mēs iesakām ievērot šo norādījumus. Ražotājs atsaucās ne jebkādas atbildības par motoram nodarītiem bojājumiem vai ugunsgrēka radītu kaitējumu, kas saistīts ar neatbilstošu apkopi vai iepriekš minēto drošības ieteikumu neievērošanu.

Filtri

Metāla tauku filtrs uztver ēdiena gatavošanas rezultātā radušās tauku daļiņas. Tauku filtrs jātīra reizi mēnesī, izmantojot saudzīgus tīrīšanas līdzekļus, vai nu ar rokām, vai trauku mazgājamajā mašīnā, kurai jāuzstāda zema temperatūra un īss mazgāšanas cikls. Mazgājot trauku mazgājamajā mašīnā, tauku filtrs var mainīt krāsu, bet tas neietekmē filtra filtrēšanas spēju. Lai izņemtu tauku filtru, pavelciet atsperes atbrīvošanas rokturi.

Ogles filtrs (tikai filtrēšanas variantā) uzsūc gatavošanas laikā radušās nepatīkamās smakas. Ogles filtra piesātinājums rodas pēc ilgākas lietošanas atkarībā no gatavošanas veida un tauku filtra tīrīšanas biežuma. Kasetnes noteikti jāmaina ne retāk kā reizi četros mēnešos. Ogles filtru **NEDRĪKST** mazgāt vai atjaunot.

Lampīgu nomaiga

Tvaika nosūcējs ir aprīkots ar apgaismojuma sistēmu, kuras pamatā LED tehnoloģijas. LED garantē optimālu apgaismojumu, 10 reīzu garāku lietošanas ilgumu nekā tradicionālajām spuldzēm un ļauj ietaupīt 90 % elektroenerģijas.

BRĪDINĀJUMS!

Nomainīšanai griezties uz tehniskās apkalpošanas servisu.

Padomi enerģijas taupīšanai

- 1) Sākot gatavot, ieslēdziet plīts tvaika nosūcēju mazākajā ātrumā, lai kontrolētu mitrumu un likvidētu gatavošanas laikā radušās smaržas.
- 2) Palieliniet tvaiku nosūcēja jaudu vienīgi tad, ja tas nepieciešams tvaiku daudzuma dēļ.
- 3) Lai iespējami labāk likvidētu taukus un smaržas, nodrošiniet, ka tvaiku nosūcēja filtrs(-i) ir tīrs(-i).

Придржувајте се строго до упатствата дадени во овој прирачник. Одбиваме било каква одговорност за било какви проблеми, штети или пожар предизвикани со ракување кое не е во согласност со упатствата дадени во овој прирачник. Аспираторот е наменет за вшмукување на гасови и пареа од готвење и е наменет само за домашна употреба.

Аспираторот може да изгледа различно од она што е прикажано на цртежите во оваа брошура. Упатствата за употреба, одржување и инсталација, сепак, остануваат исти.

- ! Важно да се зачува оваа брошура за консултации во секој момент. Во случај на продажба, отстранување или преместување, не заборавајте брошурата да ја ставите оди заедно со производот.
- ! Прочитајте ги упатствата внимателно: има основни информации за инсталација, употреба и безбедност
- ! Не вршете електрични или механички измени на производот или на цевките за празнење
- ! Пред да продолжите со инсталацијата на уредот, проверете да не има оштетени компоненти. Доколку има, контактирајте го вашиот продавач и не продолжувајте со инсталација.

Забелешка: елементи означени со симболот “(*)” се опциони додатоци кои се доставуваат само со некои модели или елементи или се купуваат одделно, не се доставуваат со секој модел.



ВНИМАНИЕ

ПРЕДУПРЕДУВАЊЕ! Не приклучувајте го апаратот на електрична мрежа се додека инсталацијата не е целосно завршена.

Пред чистење или одржување, исклучете го аспираторот од електричната мрежа со вадење на приклучокот од струја или со исклучување на главниот осигурувач.

Да се користат работни ракавици за сите операции за монтажа и одржување.

Апаратот не е наменет за користење од страна на деца или лица со намалени физички, сетилни или ментални способности, или кои немаат искуство и знаење, освен ако не се под надзор или не се обучени за употреба на апаратот од страна на лице одговорно за нивната безбедност .

Овој уред е наменет за користење од страна на возрасни. Децата треба да се следат за да се биде сигурен дека не си играат со апаратот.

Овој уред е наменет за користење од страна на возрасни. Не треба да им се дозволи на децата да ги расипуваат контролите или да си играат со апаратот.

Не користете го аспираторот ако решетката не е правилно монтирана!

Аспираторот НИКОГАШ не смее да се користи како подлога доколку не е така прецизно наведено. Просториите во кои е наместен апаратот мора да бидат доволно проветрени кога кујнскиот аспиратор се користи заедно со други апарати кои согоруваат гас или други горива.

Системот за вентилација на овој уред не смее да биде поврзан на никој постоечки систем за вентилација што се користи за други цели, како што е испуштање издувни гасови од апарати на гас или други горива.

Палење на храната под самиот аспиратор е строго забрането.

Употребата на отворен пламен е штетна за филтрите и може да доведе до ризик од пожар и затоа треба да се избегнува во сите околности.

Кога пржите, внимавајте маслото да не се прегрее и да не се запали. Пристапните делови од аспираторот може значително да се загреат кога се користи апаратот за готвење.

Што се однесува до техничките и безбедносните мерки за примена за испуштање на пареа важно е внимателно да се следат правилата дадени од страна на локалните власти.

Аспираторот мора редовно да се чисти и од внатре и надвор (НАЈМАЛКУ ЕДНАШ МЕСЕЧНО).


Мора да се чисти во согласност со упатствата за одржување дадени во овој прирачник. Ако не се следат инструкциите дадени во ова упатство за употреба во однос на чистењето на аспираторот и филтрите ќе доведе до ризик од пожар.

Не користете го или не оставајте го аспираторот без правилно монтирани сијалици, поради можниот ризик од електричен удар.

Не прифаќае никаква одговорност за било каков проблем, штета или пожар предизвикани на апаратот како резултат на не следење на упатствата содржани во овој прирачник.

Овој апарат е обележен според европската Директива 2002/96/EC за отпад на електрична и електронска опрема (WEEE). Со правилно исфрлање на производот, помагате во спречувањето на потенцијалните негативни последици врз животната средина и здравјето на човекот, кои инаку може да се предизвикаат со несоодветно управување со отпадот од овој производ.



Симболот  на производот или на документите кои одат со производот покажува дека апаратот не може да се третира како отпад од домаќинството. Наместо тоа, треба да се однесе на собирен пункт за рециклирање на електрична и електронска опрема. Отстранувањето мора да се врши во согласност со локалните прописи за животната средина за отстранување на отпадот.

За подетални информации за постапката, поправањето и рециклирањето на овој производ, Ве молиме контактирајте со соодветната служба на локалните власти или локалната комунална служба или со продавницата од каде што сте го купиле производот.

Апаратот е дизајниран, тестиран и произведен во согласност со:

- Безбедност: EN/IEC 60335-1; EN/IEC 60335-2-31, EN/IEC 62233.
- Перформанси: EN/IEC 61591; ISO 5167-1; ISO 5167-3; ISO 5168; EN/IEC 60704-1; EN/IEC 60704-2-13; ISO 3741; EN 50564; IEC 62301.
- EMC: EN 55014-1; CISPR 14-1; EN 55014-2; CISPR 14-2; EN/IEC 61000-3-2; EN/IEC 61000-3-3.

Предлози за правилна употреба, со цел да се намали влијанието врз животната средина: вклучете го аспираторот на минималната брзина кога ќе почнете да готвите и оставете го вклучен неколку минути откако ќе завршите со готвење. Зголемете ја брзината само во случај на голема количина на чад и пареа и употребувајте поголема брзина само во екстремни ситуации. Кога е потребно, заменете го филтерот со јаглен заради добра ефикасност за намалување на миризбата. Исчистете го филтерот за маснотии кога е неопходно да се одржува добра ефикасност на истиот. Користете го максималниот дијаметар на системот за вентилација наведен во ова упатство, за да се оптимизира ефикасноста и да се сведе бучавата на минимум.

Дополнителни спецификации за инсталација:

Користете ги завртките за прицврстување со производот за инсталација или, доколку не се доставени, купете точен тип на завртки. Користете ја соодветната должина на завртки, кои се утврдени во Прирачникот за инсталација.

Доколку имате дилеми, консултирајте се со овластен центар за помош или слично, квалификувано лице.

ПРЕДУПРЕДУВАЊЕ! Неинсталирањето на завртките или неприцврстувањето на уредот во согласност со овие упатства може да резултира со несреќа поврзана со струја.

УПОТРЕБА

Аспираторот е наменет да се користи за вентилација или филтер верзија.



Верзија за вентилација

Во овој случај гасовите се исфрлаат надвор од зградата со помош на специјална цевка поврзана со прстен што се наоѓа на врвот на аспираторот.

Внимание! Издувната цевка не се доставува и мора да се купи одделно. Дијаметарот на издувната цевка мора да биде еднаков со оној на прстенот.

При хоризонтална работа, издувната цевка мора да биде малку закосена (околу 10 °) и насочена угоре, за воздухот лесно да се испушта надвор од собата.

Внимание! Ако аспираторот е доставен заедно со филтер со активен јаглен, тогаш тоа мора да се отстрани.

Поврзете го аспираторот и издувните дупки на сидовите со дијаметар еднаков со испустот за воздух (со фланша).

Користење на цевките и издувните дупки на сидовите со помали димензии ќе доведе до намалување на перформансите на вшмукување и драстично зголемување на бучавата.

Затоа било каква одговорност по ова прашање се одбива.

- ! Користете канал со минимална неопходна должина.
- ! Користете канал со колку што е можно помалку зглобови (максимален агол на зглобот: 90°)
- ! Избегнувајте драстични промени во пресекот на каналот.
- ! Користете канал со колку што е можно помазна внатрешност.
- ! Каналот мора да биде направен од сертифициран материјал.



Филтер верзија

За ова е потребен филтер со активен јаглен, кој може да се најде во вообичаените продавници.

Филтерот ја отстранува маснотијата и миризбите од извлечениот воздух пред да го врати во собата преку горната излезна мрежа.

ИНСТАЛАЦИЈА

Минималното растојание помеѓу површината за опремата на плочата за готвење и најнискиот дел на аспираторот да не биде помалку од 50 цм од електричните апарати за готвење и 65 цм за плинските или комбинирани апарати за готвење.

Ако упатството за монтажа за плинските плочи од шпоретот прецизираат поголемо растојание, тоа мора да се почитува.



Поврзување со струја

Главното напојување мора да одговара на спецификациите наведени на плочката што се наоѓа во внатрешноста на аспираторот. Ако е доставен приклучок, вклучете го аспираторот во штекер кој е во согласност со прописите и позициониран на достапно место по инсталацијата. Ако апаратот не е испорачан со приклучокот (директно поврзување со струја) или ако приклучокот не е лоциран на достапно место по инсталацијата, употребете двофазен прекинувач, во согласност со стандардите кои обезбедуваат целосно исклучување на струјата во услови поврзани со преголема категорија III, во согласност со упатствата за инсталација.

Предупредување! Пред повторно приклучување на аспираторот во струја и проверувањето на функционалноста, секогаш проверувајте дали струјниот кабел е правилно склопен.

Аспираторот се испорачува со посебен кабел за напојување. Ако кабелот е оштетен, побарајте нов од техничкиот оддел.

Монтажа

Производот е многу тежок; па затоа ракувањето и инсталирањето со аспираторот мора да го вршат најмалку две лица. Пред да започнете со инсталација:

- Проверете дали купениот производ е со соодветна големина со местото на инсталирање.
- Отстранете го/ги филтерот со јаглен (*) филтерот/ите ако ви е/се доставен (види, исто така во односниот параграф). Тој / тие треба да се монтира/монтираат само ако сакате да го користите аспираторот со филтер.
- Проверете (од транспортни причини) да нема доставен друг материјал во внатрешноста на аспираторот (на пример, пакети со завртки (*), гаранции (*), итн), кои на крајот ги отстранувате и ги чувате.
- Ако е можно, исклучете го и движете го самостојно или со лизгање – во опсег на отворот на кабинетот, за да се обезбеди полесен пристап до задниот ѕид / плафонот. Или ставете дебела, заштитна покривка над плочата или шпоретот за да ги заштитите од оштетувања и остатоци. Изберете рамна површина за монтажа на апаратот. Покријте ја таа површина со заштитна покривка и ставете ги сите делови од аспираторот и хардверот на неа.
- Освен тоа, да се провери дали во близина на местото за инсталација на аспираторот (во местото достапно и со монтиран аспиратор) е достапен електричен приклучок и дали е можно да поврзете уред за испуштање гасови кон надвор (само за издуната верзија).
- Направете ги сите ѕидарски работи што се потребни (на пример, поставување на електричен приклучок и / или дупка за премин на цевка за празнење).

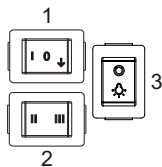
Се доставуваат продолжни сидни приклучоци, за да може аспираторот да се прицврсти на повеќето типови сидови / тавани. Сепак, квалификуван техничар мора да ја потврди соодветноста на материјалите во согласност со типот на сидот / таванот. Сидот / таванот мора да биде доволно силен за да ја поднесе тежината на аспираторот. Не ставајте плочки, фуга или силикон на апаратот до сидот. Само површинска монтажа.

РАБОТА

Користете ја најголемата брзина на вшмукување во случај на концентрирана пареа во кујната. Се препорачува аспираторот да се вклучи 5 минути пред готвењето и да се остави да работи во текот на готвењето и приближно уште 15 минути по завршувањето на готвењето. Подолу се опишани три типа на работа.

ПРЕКИНУВАЧ „РОКЕР“

Работата на аспираторот се контролира со (три) прекинувачи, сместени на секоја од страните. Тие се видливи кога телескопскиот преден дел се повлекува напред. Телескопскиот аспиратор е опремен со прекинувач за ограничување. Секогаш кога ќе го повлечете телескопскиот преден панел, аспираторот започнува со работа на претходно поставената брзина.



- 0 – Исклучен аспиратор.
I – Аспиратор што работи со брзина 1.
↓ – Префрлете за да овозможите брзина на моторот на ниво II или ниво III .
- II – Аспираторот работи со брзина 2 (кога е наместен на ниво 1 и на позиција ↓).
III – Аспираторот работи со брзина 3 (кога е наместен на ниво 1 и на позиција ↓).
- O / ⦿ – Светло ВКЛУЧЕНО/ИСКЛУЧЕНО.

Копчето со ознака ⦿ се користи за вклучување/исклучување на светлото. Осветлувањето на аспираторот работи независно од моторот на аспираторот. Со притискање на копчето ⦿ не се активира моторот на аспираторот.

Кога предниот панел ќе го вратите назад во лежиштето (затворите), прекинувачот за ограничување ги исклучува моторот на аспираторот и светлото. Доколку моторот на аспираторот и светлото се веќе поставени на позиција ВКЛУЧЕНО, кога ќе го повлечете предниот панел, моторот почнува да работи, а светлото се вклучува.

КОНТРОЛА СО КОПЧИЊА



- ⓪ – Работа на аспираторот ВКЛУЧЕНО/ИСКЛУЧЕНО. Кога ќе се притисне копчето, аспираторот почнува да работи со брзина 1.
- Ⓛ – Притиснете го копчето за брзина со ниво 2, за да моторот почне да работи со брзина 2.
- Ⓜ – Притиснете го копчето за брзина со ниво 3, за да моторот почне да работи со брзина 3.
- ⦿ – Копче за светло за вклучување на светлото. За да го исклучите светлото, притиснете го копчето уште еднаш.

КОНТРОЛА НА ДОПИР



- ⓪ – Притиснете го копчето On/Off за да можете да одберете брзина на моторот.
- Ⓛ – Притиснете го копчето за брзина 1, за да го вклучите моторот на брзина 1.
- Ⓜ – Притиснете го копчето за брзина 2, за да го вклучите моторот на брзина 2.
- Ⓜ – Притиснете го копчето за брзина 3, за да го вклучите моторот на брзина 3.
- ⦿ – Притиснете го копчето за светло за да го ВКЛУЧИТЕ светлото. Притиснете повторно за да го исклучите.

ОДРЖУВАЊЕ

ВНИМАНИЕ! Пред извршување на било каква операција за одржување, исклучете го аспираторот од електричната мрежа со исклучување на приклучокот и отстранување на приклучниот осигурувач.

Или ако уредот е поврзан преку приклучок и штекер, тогаш приклучокот мора да се отстрани од штекер.

Чистење

Аспираторот мора редовно да се чисти (најмалку со истата зачестеност со која се врши одржувањето на филтерот за маснотии) внатрешно и надворешно. За чистењето користете крпа навлажнета со неутрален течен детергент. Не користете абразивни производи. **НЕ КОРИСТЕТЕ АЛКОХОЛ!**

ПРЕДУПРЕДУВАЊЕ! Ако не се спроведуваат основните препораки за чистење на аспираторот и замена на филтрите, може да се јави ризик од пожар. Затоа, препорачуваме придржување кон предложените упатства. Одбиваме секаква одговорност за евентуални оштетувања на моторот или пожар предизвикан со несоодветно одржување или непочитување на наведените упатствата.

Филтри

Металниот филтер за маснотии ги задржува масните честички од готвењето. Филтерот за маснотии треба да се чисти еднаш месечно со неагресивни детергенти, рачно или во машина за миење садови, на ниска температура и во краток интервал. Кога се мие во машина за миење садови, металниот филтер за маснотии може да ја изгуби бојата, но тоа не влијае врз неговите карактеристики на филтрирање. За да го отстраните филтерот за маснотии, повлечете ја рачката за ослободување.

Филтерот со јаглен (само кај моделот со филтер) апсорбира непријатни миризби предизвикани од готвење. До заситување на филтерот со јаглен доаѓа по подолга употреба, во зависност од типот на готвење и редовноста на чистењето на филтерот за маснотии. Во секој случај, потребно е филтерот да се менува најмалку на секои четири месеци. Филтерот со јаглен НЕ смее да се мие или да се обновува.

Замена на сијалиците

Аспираторот е опремен со систем за осветлување врз основа на ЛЕД технологија. ЛЕД диодите гарантираат оптимално осветлување во времетраење до 10 пати подолго од традиционалните сијалици и ќе ви овозможат да заштедите 90% електрична енергија.

Внимание!

За нивната замена обратете се на службата за техничка поддршка.

Совети за штедење енергија

- 1) Кога ќе почнете да готвите, вклучете го аспираторот на минимална брзина, за да ја контролирате влагата и да ја отстраните миризбата од готвење.
- 2) Зголемете го опсегот на брзината на аспираторот само кога е неопходно поради количината на пареа.
- 3) Одржувајте ги филтерот/ите на аспираторот чисти, за да се оптимизира ефикасноста во однос на маснотиит.

NO - VENTILATOR

Følg anvisningene i denne veiledningen nøye. Vi fraskriver oss ethvert ansvar for problemer, skade eller brann som skyldes at anvisningene i denne veiledningen ikke er fulgt. Ventilatoren er konstruert for innsuging av matos og damp og er bare beregnet til bruk i private husholdninger.

Ventilatoren kan se annerledes ut enn på illustrasjonene i denne veiledningen. Anvisningene for bruk, vedlikehold og installasjon er imidlertid de samme.

- ! Det er viktig å ta vare på denne veiledningen slik at du kan slå opp i den senere. Ved salg, overdragelse eller flytting må den legges ved produktet.
- ! Les anvisningene nøye: De inneholder viktig informasjon om installasjon, bruk og sikkerhet
- ! Ikke foreta elektriske eller mekaniske endringer på produktet eller avtrekkskanalen.
- ! Før du begynner å installere apparatet, må du kontrollere at ingen komponenter er skadet. Hvis du oppdager skader, må du kontakte forhandleren og ikke fortsette med installasjonen.

Merk! Elementene som er merket med symbolet “(*)”, er ekstra tilbehør som er inkludert på noen modeller og som kan kjøpes som tilleggsutstyr til andre modeller.



FORSIKTIG

ADVARSEL! Ikke koble ventilatoren til strømmettet før den er ferdig installert.

Før rengjøring eller vedlikehold må ventilatoren kobles fra strømmettet ved å trekke ut støpslet eller koble ut strømforsyningen.

Bruk alltid hansker når du utfører installasjons- og vedlikeholdsarbeid.

Dette produktet er ikke beregnet til bruk av barn eller andre personer med reduserte fysiske, sensoriske eller mentale evner, heller ikke av personer som mangler erfaring og kunnskap, med mindre de er under tilsyn eller er instruert i bruken av produktet av en person som er ansvarlig for deres sikkerhet.

Dette produktet er beregnet til å bli brukt av voksne, barn må holdes under oppsyn så de ikke leker med produktet.

Dette produktet er beregnet på å betjenes av voksne. Ikke la barn fingre med bryterne eller leke med produktet.

Ikke bruk ventilatoren uten et riktig montert gitter!

Ventilatoren skal IKKE brukes som støtteunderlag, unntatt hvis dette er uttrykkelig spesifisert.

Stedet der ventilatoren skal installeres, må være godt nok ventilert dersom produktet skal brukes samtidig som apparat som forbrenner gass eller andre typer brennstoff.

Kanalsystemet til dette produktet må ikke kobles til noe eksisterende ventilasjonssystem som brukes til andre formål, for eksempel som avgassystem for apparater som forbrenner gass eller andre brennstoffer.

Flambering av mat under selve ventilatoren er strengt forbudt.

Bruk av åpen flamme er skadelig for filterne og kan innebære brannfare og må derfor unngås under alle forhold.

Pass alltid ekstra godt på ved frituresteking slik at oljen ikke overopphetes og tar fyr. Tilgjengelige deler på ventilatoren kan bli varme når den brukes sammen med en koketopp.

Når det gjelder tekniske sikkerhetstiltak i forbindelse med bortledning av avgasser, må lokale forskrifter følges til punkt og prikke.

Ventilatoren må rengjøres regelmessig både på innsiden og utsiden (MINST ÉN GANG I MÅNEDEN).


Rengjøringen må utføres i samsvar med vedlikeholdsanvisningene i denne veiledningen. Manglende overholdelse av anvisningene for rengjøring av ventilatoren og filterne kan medføre brannfare.

Ikke bruk eller gå fra ventilatoren uten riktig montert lyspære, dette på grunn av mulig fare for elektrisk støt.

Vi fraskriver oss ethvert ansvar for feil eller skade på produktet eller brann som skyldes manglende overholdelse av anvisningene i denne veiledningen.

Dette apparatet er merket i henhold til europeisk direktiv 2002/96/EF om elektrisk og elektronisk avfall (WEEE). Sørg for riktig avhending av produktet slik at du bidrar til å forebygge miljøskader og helseskader.



Symbolet  som står på produktet eller på dokumentene som følger med produktet, viser at dette apparatet ikke skal behandles som husholdningsavfall. Det skal leveres til et godkjent mottak for gjenvinning av elektrisk og elektronisk avfall. Avhending må skje i henhold til lokale miljøforskrifter for avfallshåndtering.

For mer detaljert informasjon om behandling, innsamling og resirkulering av dette produktet kan du kontakte lokale myndigheter, den lokale renovasjonsbedriften eller butikken der du kjøpte produktet.

Apparatet er konstruert, testet og produsert i henhold til:

- Sikkerhet: EN/IEC 60335-1; EN/IEC 60335-2-31, EN/IEC 62233.
- Kapasitet: EN/IEC 61591; ISO 5167-1; ISO 5167-3; ISO 5168; EN/IEC 60704-1; EN/IEC 60704-2-13; ISO 3741; EN 50564; IEC 62301.
- EMC: EN 55014-1; CISPR 14-1; EN 55014-2; CISPR 14-2; EN/IEC 61000-3-2; EN/IEC 61000-3-3.

Tips om riktig bruk for å redusere miljøpåvirkningen: Slå PÅ ventilatoren på laveste hastighet når du begynner å lage mat, og la den stå på noen minutter etter at maten er ferdig. Øk hastigheten ved store mengder røyk og damp, og bruk den høye tillegghastigheten (-hastighetene) bare i ekstreme situasjoner. Skift ut kullfilteret(-filtrene) når dette er nødvendig for å opprettholde effektiv luktreduksjon. Rengjør fettfilteret(-filtrene) når dette er nødvendig for å opprettholde effektiv fettfiltrering. Bruk den maksimale diameteren på kanalsystemet som er angitt i denne veiledningen, for å optimere effektiviteten og minimere støyen.

Tilleggsspesifikasjoner for installasjon:

Bruk bare festeskruene som følger med produktet, under installasjonen. Hvis de ikke følger med, må du selv kjøpe riktig type skruer. Bruk riktig lengde på skruene som er beskrevet i installasjonsveiledningen.

Kontakt et autorisert servicesenter eller lignende fagfolk hvis du er i tvil.

ADVARSEL! Hvis ikke skruene eller festeanordningen monteres i henhold til disse instruksjonene, kan dette føre til elektrisk fare.

BRUK

Ventilatoren kan brukes enten som avtrekkshette eller filterhette.



Avtrekkshette

I denne versjonen føres matosen ut av bygningen ved hjelp av rør som kobles til tilkoblingsringen oppå ventilatoren.

NB! Avtrekkskanalen er ikke inkludert og må kjøpes separat. Diameteren på avtrekkskanalen må være lik diameteren på tilkoblingsringen.

Den horisontale delen av avtrekkskanalen må helle litt oppover (ca. 10°) slik at luften lettere ventileres fra rommet og ut i friluft

NB! Hvis ventilatoren leveres med aktivt kullfilter, må dette fjernes.

Koble ventilator- og utløpsåpningene til veggen med en diameter tilsvarende luftavløpet (tilkoblingsflens).

Bruk av rør og utløpsåpninger på veggen med mindre dimensjoner vil føre til redusert sugeseffekt og drastisk økning av støynivået.

Vi fraskriver oss derfor ethvert ansvar i slike tilfeller.

- ! Bruk et kortest mulig rør.
- ! Sørg for at kanalen har så få albuer som mulig (maksimal albuvinkel: 90°).
- ! Unngå store variasjoner i kanaltverrsnittet.
- ! Bruk en kanal som er så glatt som mulig innvendig.
- ! Kanalen må være laget av godkjent materiale.



Med filtersystem

Til denne versjonen trengs det et aktivt kullfilter, og dette kan kjøpes hos forhandleren.

Filteret fjerner fett og lukt fra den utsugde luften før det sender luften tilbake i rommet gjennom det øvre utløpsgitteret.

INSTALLATION

Minimumsavstanden fra støtteflaten for kokeutstyret på koketoppen og den laveste delen av ventilatoren må være minst 50 cm for elektriske komfyrer og 65 cm for gasstopper og kombinerte koketopper.

Hvis installasjonsveiledningen for gasstoppen angir større minsteavstand, må dette følges.



Elektrisk tilkobling

Strømforsyningen må stemme overens med informasjonen på merkeskiltet på innsiden av ventilatoren. Hvis ventilatoren leveres med støpsel, må ventilatoren kobles til en stikkontakt som er i samsvar med gjeldende forskrifter og er plassert på et tilgjengelig sted, også etter installasjonen. Hvis ventilatoren ikke leveres med støpsel (direkte tilkobling til strømmettet) eller hvis støpslet ikke er plassert på et tilgjengelig sted etter installasjonen, må det brukes en topolet bryter i samsvar med standardene, som sikrer fullstendig frakobling av strømmettet i tilfelle overstrøm i kategori III, i samsvar med installasjonsveiledningen.

Advarsel! Før du kobler ventilatorkretsen til strømmettet igjen for å kontrollere om alt virker, må du alltid sjekke at strømledningen er riktig montert.

Ventilatoren er utstyrt med en spesiell strømledning; hvis ledningen blir skadet, må du bestille en ny fra teknisk kundeservice.

Montering

Svært tungt produkt; håndtering og installasjon må utføres av minst to personer. Før installasjon:

- Kontroller at produktet du har kjøpt, har en egnet størrelse for det valgte installasjonsområdet.
- Fjern kullfilteret/-filtrene (*) hvis dette/disse følger med (se også avsnittet om dette). Dette/disse skal bare monteres hvis du vil bruke ventilatoren i et filtreringssystem.
- Kontroller at det ikke av transportgrunner er plassert noe medfølgende materiale på innsiden av ventilatoren (f.eks. pakker med skruer (*), garantier (*), osv.). Fjern eventuelt slikt materiale og ta vare på det.
- Hvis mulig må du koble fra og flytte frittstående eller innbygd komfyr fra skapåpningen for å gi bedre tilgang til bakveggen /taket. Ellers kan du legge et tykt beskyttelsesdeksel over kjøkkenbenken, koketoppen eller komfyren for å beskytte mot skader og avfall. Velg et flatt område for montering av enheten. Dekk underlaget med et beskyttelsesdeksel, og plasser alle delene til ventilatoren og maskinvaren opp på dette.
- I tillegg må du kontrollere om det finnes en tilgjengelig stikkontakt i nærheten av installasjonsområdet for ventilatoren (i et område som er tilgjengelig også etter at ventilatoren er montert), og at det er mulig å koble til en avtrekksenheter på utsiden (bare versjoner med avtrekk).
- Utfør alt nødvendig murarbeid (f.eks. installasjon av en stikkontakt og/eller et hull til gjennomføring av avtrekksrøret).

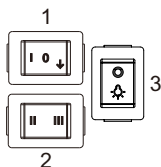
Ventilatoren leveres med ekspansjonspluggen slik at den kan festes til de fleste typer vegger/tak. Men en kvalifisert fagtekniker må kontrollere om materialet er egnet i forhold til typen vegg/tak. Vegg/taket må være solid nok til å tåle tyngden av ventilatoren. Ikke bruk fliser, mur eller silikon for å feste ventilatoren til veggen. Bruk bare overflatemontering.

DRIFT

Bruk den høye sugehastigheten ved konsentrert matos. Vi anbefaler at ventilatoren slås på fem minutter før matlaging, at den blir stående på under hele prosessen og i cirka 15 minutter etter at maten er ferdig. Nedenfor beskrives tre typer drift.

VIPPEBRYTER

Driften av ventilatoren styres av (tre) brytere, som er plassert på begge sider. De vises når den teleskopiske fronten trekkes frem. Den teleskopiske ventilatoren har en endebryter. Hver gang du trekker frem den teleskopiske fronten, begynner ventilatoren å gå med den sist innstilte hastigheten.



1. 0 – Ventilatoren er avslått.
I – Ventilatoren går med hastighet 1.
↓ – Bryterinnstilling for å kunne velge hastighet II eller hastighet III.
2. II – Ventilatoren går med hastighet 2 (når bryter 1 er i posisjon ↓).
III – Ventilatoren går på hastighetsnivå 3 (når bryter 1 er i posisjon ↓).
3. O / ⚙️ – Lys PÅ/AV.

Knappen merket ⚙️ brukes til å slå lyset PÅ eller AV. Lyset i ventilatoren fungerer uavhengig av viftemotoren. Hvis du trykker på ⚙️, vil dette starte viftemotoren.

Når frontpanelet går tilbake til lukket posisjon, slår endebryteren av både viftemotoren og lyset. Hvis viftemotoren og lysbryteren allerede står i posisjonen PÅ, vil viftemotoren begynne å gå og lyset bli slått på når frontpanelet trekkes ut.

KNAPPEKONTROLL



- ⓪ – Slår ventilatoren PÅ/AV. Når du trykker på knappen, begynner ventilatoren å gå med hastighet 1.
- 🌀 – Trykk på knappen for hastighet 2 for å starte viftemotoren med hastighet 2.
- 🌀 – Trykk på knappen for hastighet 3 for å starte viftemotoren med hastighet 3.
- ⚙️ – Trykk på lysknappen for å slå PÅ lyset. Trykk en gang til på lysknappen for å slå AV lyset.

BERØRINGSKONTROLL



- ⓪ – Trykk på av/på-knappen for å aktivere valg av viftehastighet.
- 🌀 – Trykk på knappen for hastighet 1 for å starte viftemotoren med hastighet 1.
- 🌀 – Trykk på knappen for hastighet 2 for å starte viftemotoren med hastighet 2.
- 🌀 – Trykk på knappen for hastighet 3 for å starte viftemotoren med hastighet 3.
- ⚙️ – Trykk på lysknappen for å slå PÅ lyset. Trykk en gang til på lysknappen for å slå AV lyset.

VEDLIKEHOLD

NB! Før du utfører vedlikeholdsarbeid, må du koble ventilatoren fra strømforsyningen ved å slå av bryteren og fjerne sikringen.

Eller hvis apparatet er tilkoblet med støpsel og stikkontakt, må du trekke støpslet ut av stikkontakten.

Rengjøring

Ventilatoren må rengjøres regelmessig innvendig og utvendig (minst like ofte som fettfiltrene). Rengjør med en klut fuktet i nøytralt oppvaskmiddel. Ikke bruk slipende produkter. **IKKE BRUK SPRIT!**

ADVARSEL! Manglende overholdelse av anvisningene for rengjøring av ventilatoren og utskifting av filtrene kan medføre brannfare. Derfor anbefaler vi at disse instruksjonene følges. Produsenten fraskriver seg ethvert ansvar for skade på motoren eller brannskade som skyldes feil vedlikehold eller manglende overholdelse av sikkerhetsreglene ovenfor.

Filtre

Fettfilter av metall samler opp fettpartikler fra matlagingen. Fettfilteret må rengjøres en gang i måneden med ikke-aggressive rengjøringsmidler, enten for hånd eller i oppvaskmaskin. Oppvaskmaskinen må i så fall stilles inne på en lav temperatur og et kort program. Hvis fettfilteret vaskes i oppvaskmaskin, kan det bli misfarget, men dette betyr ingenting for filtreringsevnen. Du fjerner fettfilteret ved å trekke i det fjærbelastede håndtaket.

Kullfilter (bare med filtersystem) suger opp ubehagelig lukt fra matlagingen. Etter langvarig bruk mettes kullfilteret, tiden avhenger av typen tilberedning og hvor ofte fettfilteret rengjøres. Uansett er det nødvendig å skifte ut patronen minst hver fjerde måned. Kullfilteret kan IKKE vaskes eller renses.

Skifte lyspære

Ventilatorene har et belysningsssystem basert på LED-teknologi. LED-lysene sørger for optimal belysning, varer inntil 10 ganger lengre enn vanlige lyspærer og sparer inntil 90 % av strømmen.

ADVARSEL!

Henvend deg til teknisk service når LED-pærene skal skiftes ut.

Tips om energisparing

- 1) Når du starter matlagingen, setter du ventilatoren på minste hastighet, for å kontrollere fuktigheten og fjerne matos.
- 2) Øk hastigheten på ventilatoren bare når det er nødvendig på grunn av dampmengden.
- 3) Hold filteret(-filtrene) på ventilatoren rene for å sikre mest mulig effektiv oppsuging av fett og lukt.

Należy stosować się do wskazówek, zawartych w niniejszej instrukcji obsługi. Producent nie ponosi odpowiedzialności za ewentualne nieprawidłowości, szkody czy też pożar, do których mogłoby dojść na skutek niezastosowania się do wskazówek z niniejszej instrukcji. Okap przeznaczony jest do odsysania dymów i pary, które powstają podczas gotowania. Urządzenie przeznaczone jest wyłącznie do użytku domowego, w gospodarstwie domowym.

Wygląd okapu może się różnić od przedstawionego na rysunkach, załączonych w tej książeczce. Niezależnie od tego instrukcja użytkowania, konserwacji i montażu pozostaje niezmienną.

- ! Niniejszą instrukcję należy zachować, aby móc w dowolnym momencie ponownie z niej skorzystać. Sprzedając czy oddając urządzenie innemu użytkownikowi należy zadbać, aby zawsze była do niego załączona również instrukcja obsługi.
- ! Uważnie należy zapoznać się z instrukcją obsługi, ponieważ zawiera ważne informacje dotyczące montażu, użytkowania i bezpieczeństwa.
- ! Nie należy dokonywać jakichkolwiek ingerencji w systemy elektryczne czy mechaniczne urządzenia bądź dokonywać zmian na urządzeniu lub jego przewodach i przyłączach.
- ! Przed montażem urządzenia należy sprawdzić, czy jakaś jego część nie została uszkodzona. Jeśli okaże się, że jakaś część składowa urządzenia została uszkodzona, należy powiadomić o tym sprzedawcę i wstrzymać montaż urządzenia.

Uwaga: Elementy, oznaczone symbolem "(*)", stanowią dodatkowe akcesoria, załączone tylko do niektórych modeli urządzeń lub dostępne jako wyposażenie dodatkowe, niezłączone do urządzenia.



UWAGA!

OSTRZEŻENIE! Nie należy przyłączać urządzenia do sieci elektrycznej dopóki montaż nie został zakończony.

Przed czyszczeniem bądź konserwacją, okap kuchenny należy odłączyć z sieci elektrycznej, wyciągając wtyczkę z gniazda sieciowego lub wyłączając główny wyłącznik prądu.

Podczas wszystkich prac montażowych lub konserwacyjnych należy zawsze nosić rękawice robocze.

Urządzenie nie jest przeznaczone do użytkowania przez dzieci lub osoby o zmniejszonych możliwościach fizycznych, ruchowych czy umysłowych lub osoby bez odpowiedniej wiedzy i doświadczenia, chyba że użytkują one urządzenie, będąc pod odpowiednim nadzorem i zgodnie ze wskazówkami osób, odpowiedzialnych za ich bezpieczeństwo.

Urządzenie jest przeznaczone do użytkowania przez osoby dorosłe. Nie należy pozwolić, aby małe dzieci bawiły się urządzeniem.

Urządzenie jest przeznaczone do użytkowania przez osoby dorosłe. Nie należy pozwolić, aby dzieci bawiły się elementami na panelu sterującym lub samym urządzeniem.

Zabrania się używania okapu bez odpowiednio zamocowanej kratki!

Okapu NIGDY nie należy używać jako powierzchni nośnej lub podporowej, chyba że zostało to wyjątkowo dozwolone.

Jeżeli w pomieszczeniu, w którym zamocowany jest okap kuchenny, używane są również przyrządy czy urządzenia, w których spala się gaz ziemny lub inne paliwo, pomieszczenie takie powinno być dobrze wentylowane.

System odprowadzania oparów z urządzenia nie powinien być przyłączony do istniejącego systemu wentylacyjnego, który używany jest do innych celów, na przykład do odprowadzania gazów, które powstają przy spalaniu gazu lub innego rodzajów paliw.

Flambowanie czy też używanie otwartego ognia bezpośrednio pod okapem jest surowo zabronione.

Używanie otwartego ognia uszkadza filtry i stwarza ryzyko pożaru, dlatego należy się go wystrzeżać.

Podczas smażenia należy szczególnie uważać, aby olej się nie przegrzał i nie zapalił. Elementy okapu kuchennego znajdujące się najbliżej mogą się mocno nagrzać podczas działania płyty kuchennej, umieszczonej pod okapem.

Ze względu na zalecenia techniczne jak i bezpieczeństwo, przy odprowadzaniu gazów ważne jest, aby konsekwentnie stosować się do przepisów, określonych przez właściwe instytucje lokalne.

Okap kuchenny należy regularnie czyścić, zarówno z zewnętrznej jak i wewnętrznej strony (PRZYNAJMNIJ RAZ NA MIESIĄC).

Okap należy czyścić zgodnie ze wskazówkami dotyczącymi konserwacji, zawartymi w niniejszej instrukcji. Niezastosowanie się do niniejszych wskazówek w odniesieniu do czyszczenia okapu i filtrów, stwarza ryzyko pożaru.

Urządzenia nie należy stosować czy też pozostawiać go bez odpowiednio zamontowanej żarówki, ponieważ stwarza to ryzyko porażenia prądem elektrycznym.

Producent nie bierze na siebie odpowiedzialności za błędy, szkodę czy też pożar, powstałe na urządzeniu z powodu nie zastosowania się do wskazówek, zawartych w niniejszej instrukcji obsługi.

Urządzenie oznakowane jest zgodnie z dyrektywą europejską 2002/96/WE w sprawie zużytego sprzętu elektrotechnicznego i elektronicznego. Prawidłowo uutilizując niniejszy produkt, zapobiega się niekorzystnym wpływom na środowisko i zdrowie ludzi, do czego mogłoby doprowadzić nieodpowiednie usuwanie niniejszego urządzenia po zakończeniu jego przydatności użytkowej.



Symbol na produkcie lub jego opakowaniu czy przynależnej do niego dokumentacji oznacza, że niniejszego urządzenia nie należy traktować jako zwykłego odpadu komunalnego, ale że należy je przekazać do autoryzowanego punktu zbiórki i uzdatniania sprzętu elektrotechnicznego i elektronicznego. Urządzenie należy usunąć zgodnie z lokalnymi przepisami o ochronie środowiska, odnoszącymi się do składowania odpadów.

W celu uzyskania dalszych i bardziej szczegółowych informacji, dotyczących prawidłowej utylizacji, zbierania i recyklingu niniejszego urządzenia, należy zwrócić się do właściwych organów władz lokalnych, lokalnego przedsiębiorstwa komunalnego lub do sklepu, gdzie zakupione zostało urządzenie.

Urządzenie zostało zaprojektowane, przetestowane i wykonane zgodnie z następującymi normami bądź przepisami:

- Bezpieczeństwo: EN/IEC 60335-1; EN/IEC 60335-2-31, EN/IEC 62233.
- Efektywność działania: EN/IEC 61591; ISO 5167-1; ISO 5167-3; ISO 5168; EN/IEC 60704-1; EN/IEC 60704-2-13; ISO 3741; EN 50564; IEC 62301.
- EMC (kompatybilność elektromagnetyczna): EN 55014-1; CISPR 14-1; EN 55014-2; CISPR 14-2; EN/IEC 61000-3-2; EN/IEC 61000-3-3.

Zalecenia dotyczące prawidłowego użytkowania, zmniejszające wpływ na środowisko: **WŁĄCZYĆ** okap na najniższej prędkości, gdy rozpoczyna się gotowanie. Pozostawić go włączonego jeszcze przez kilka minut po zakończeniu gotowania. Prędkość bądź stopień działania należy podwyższyć jedynie w przypadku większej ilości dymu i pary, szczególnie intensywne działanie czy też wysoką prędkość należy stosować jedynie w skrajnych sytuacjach. Aby zachować wysoką efektywność usuwania nieprzyjemnych zapachów, należy w razie potrzeby wymieniać filtry węglowe (bądź filtr węglowy). W razie potrzeby należy też czyścić filtry tłuszczowe (bądź filtr tłuszczowy), w celu zachowania ich wysokiej efektywności działania. Stosować należy rury odprowadzające o największej średnicy, podanej w niniejszej instrukcji obsługi, efektywność będzie wówczas optymalna przy najniższym poziomie hałasu.

Dodatkowe zalecenia montażu:

Do montażu należy stosować jedynie śruby mocujące, załączone do urządzenia. Jeżeli śruby nie zostały załączone, należy kupić śruby odpowiedniego typu. Użyć należy śrub o odpowiedniej długości, zgodnie z danymi z instrukcji montażu.

W razie jakichkolwiek wątpliwości zalecamy skontaktować się z upoważnionym serwisem, działem pomocy użytkownikom lub inną specjalistycznie wykszoloną osobą.

OSTRZEŻENIE! Jeśli śruby lub obudowa nie zostaną zamocowane zgodnie z niniejszą instrukcją obsługi, może spowodować to ryzyko porażenia prądem elektrycznym.

SPOSÓB UŻYTKOWANIA

Okap kuchenny wykonany jest w taki sposób, że może być używany w wersji wyciągu albo pochłaniacza zapachów.



Wersja wyciągu

W tym przypadku dymy zostają odprowadzone na zewnątrz za pomocą specjalnej rury, przyłączonej za pomocą odpowiedniego kołnierza łączeniowego, znajdującego się w górnej części okapu.

Uwaga! Rura nie została załączona i należy ją kupić oddzielnie. Średnica rury odprowadzającej powinna być równa średnicy kołnierza łączeniowego.

W poziomym odcinku rura powinna być nieco wygięta do góry (o około 10°), żeby ułatwić odprowadzenie powietrza z pomieszczenia na zewnątrz.

Uwaga! Jeżeli okap wyposażony jest w filtry węglowe, należy je usunąć.

Do połączenia okapu i otworu w ścianie do odprowadzania oparów bądź gazów należy zastosować rurę o średnicy jednakowej średnicy otworu wyjściowego w okapie (kołnierza łączeniowego).

Jeżeli średnica rury lub otworu w ścianie jest mniejsza, moc odsysania będzie niższa, a poziom hałasu w znaczący sposób się podwyższy.

W takich przypadkach producent uchyla się od jakiegokolwiek odpowiedzialności.

- ! Rura odprowadzająca powietrze powinna być jak najkrótsza.
- ! Montując rurę odprowadzającą powietrze należy zadbać, aby miała jak najmniej załamań. Największy dozwolony kąt załamania wynosi 90°.
- ! Unikać należy większych zmian przekroju rury odprowadzającej powietrze.
- ! Wewnętrzna powierzchnia rury odprowadzającej powietrze powinna być jak najgładsza.
- ! Rura odprowadzająca powietrze powinna być wykonana z materiałów posiadających odpowiednie certyfikaty.



Wersja pochłaniacza

Dla tej wersji potrzebny jest jeden filtr węglowy, który należy nabyć w sklepie z urządzeniami gospodarstwa domowego.

Filtr usuwa tłuszcze i zapachy z odsysanego powietrza, a następnie tak oczyszczone powietrze oddaje do pomieszczenia poprzez szczeliny wyjściowe w górnej części urządzenia.

MONTAŻ

Minimalna odległość pomiędzy powierzchnią nośną płyty kuchennej a najniższym elementem okapu nie powinna być mniejsza niż 50 cm w przypadku elektrycznych płyt kuchennych bądź 65 cm w przypadku gazowych lub kombinowanych płyt kuchennych.

Jeśli w instrukcji montażu gazowej płyty kuchennej podana jest większa odległość, należy to uwzględnić.



Przyłączenie do sieci elektrycznej

Parametry instalacji elektrycznej powinny odpowiadać danym technicznym podanym na tabliczce znamionowej, znajdującej się wewnątrz okapu. Jeżeli na przewodzie przyłączeniowym okapu znajduje się wtyczka, okap należy przyłączyć za pomocą wtyczki, odpowiadającej obowiązującym przepisom i umieszczonej w taki sposób, że po montażu jest ona łatwo dostępna. Jeśli przewód przyłączeniowy nie jest wyposażony we wtyczkę (bezpośrednie przyłączenie do sieci elektrycznej) lub jeżeli wtyczka po zakończonym montażu nie jest łatwo dostępna, należy zainstalować dwubiegunowy wyłącznik, odpowiadający normom i zapewniający całkowicie odcięcie urządzenia od sieci elektrycznej w warunkach przepięciowych klasy III, zgodnie z instrukcją montażu.

Ostrzeżenie! Zanim okap zostanie ponownie przyłączony do sieci elektrycznej i zostanie przetestowane jego działanie, zawsze należy sprawdzić, czy przewód przyłączeniowy został prawidłowo zamocowany.

Okap wyposażony jest w specjalny przewód przyłączeniowy; jeżeli jest on uszkodzony, należy ubiegać się o nowy w serwisie naprawczym serwisowego.

Typ montażu

Urządzenie jest bardzo ciężkie. Przy przemieszczaniu okapu i przy jego montażu powinny uczestniczyć przynajmniej dwie osoby. Przed rozpoczęciem montażu:

- Należy sprawdzić, czy zakupiony produkt jest odpowiedniej wielkości, biorąc pod uwagę wybrany obszar montażu.
- Usunąć należy filtry węglowe czy filtr węglowy (*), jeżeli są załączone (patrz: odnośny rozdział). Filtry węglowe (czy filtr węglowy) należy zamocować, jeżeli okap będzie używany jako pochłaniacz.
- Sprawdzić należy, czy wewnątrz okapu nie znajduje się jeszcze jakiś materiał lub inny przedmiot (który mógłby tam przedostać się podczas transportu, np. woreczek ze śrubami (*), karta gwarancyjna (*) itd.) i je w razie potrzeby usunąć.
- Jeśli jest to możliwe, należy odłączyć i przesunąć wolnostojącą kuchenkę bądź kuchenkę, którą można pociśnąć w wolną przestrzeń pomiędzy elementami kuchennymi, zapewniając sobie w ten sposób łatwiejszy dostęp do ściany za płytą kuchenną bądź do sufitu. Jeżeli nie jest to możliwe, płytę kuchenną bądź kuchenkę należy pokryć grubą matą ochronną, zabezpieczając przed uszkodzeniami i ciałami obcymi. Do składania elementów urządzenia należy wybrać równe podłoże. To podłoże należy pokryć matą ochronną, na której należy postawić wszystkie części składowe okapu kuchennego oraz elementy mocujące.
- Ponadto należy sprawdzić, czy w pobliżu miejsca, gdzie zamierza się zamontować okap (miejsce, które będzie dostępne również po zakończeniu montażu okapu), jest dostępne gniazdko elektryczne oraz czy możliwe jest przyłączenie do instalacji, odprowadzającej opary na zewnątrz.

- Wykonać należy wszystkie potrzebne prace budowlane (np. montaż gniazdka elektrycznego i/ lub wykonanie otworu na rurę odprowadzającą).

W celu zamocowania okapu do większości rodzajów ścian lub sufitów, załączone zostały kołki rozporowe. Niezależnie od tego odpowiednio do tego wyszkolony specjalista powinien sprawdzić, czy materiały są odpowiednie do rodzaju bądź typu ściany/ sufitu. Ściana bądź sufit powinny być na tyle stabilne, aby wytrzymać ciężar okapu. Nie należy próbować zamontować urządzenia w ścianie czy też zabudować go za pomocą płytek, masy fugowej bądź tynku lub kitu silikonowego. Urządzenie przeznaczone jest tylko do montażu naściennego.

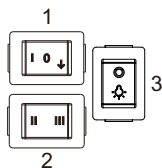
DZIAŁANIE

Najwyższą prędkość zasysania powietrza należy stosować jedynie w przypadku wysokiej koncentracji oparów podczas gotowania. Zaleca się, aby okap kuchenny włączyć na 5 minut przed rozpoczęciem gotowania, następnie pozostawić, aby działał przez cały czas podczas gotowania, a po zakończeniu gotowania pozostawić, by działał jeszcze przez około 15 minut. Poniżej opisano trzy tryby działania.

PRZEŁĄCZNIKI

Działaniem okapu można sterować za pomocą trzech przełączników, znajdujących się z obu stron urządzenia. Widoczne są one po częściowym wysunięciu płyty frontowej okapu.

Okap wysuwany wyposażony jest w wyłącznik ograniczający. Za każdym razem, gdy wysunięta zostanie płyta frontowa, okap zacznie działać na ostatni ustawionej mocy.



1. 0 – wyłączenie okapu.
I – Działanie okapu na 1 stopniu mocy.
↓ – Przełącznik należy ustawić w tej pozycji, aby umożliwić działanie okapu na 2 lub 3 stopniu mocy.
2. II – Działanie okapu na 2 stopniu mocy (gdy przełącznik 1 znajduje się w pozycji ↓).
III – Działanie okapu na 3 stopniu mocy (gdy przełącznik 1 znajduje się w pozycji ↓).
3. O / ⚡ – Włączenie/wyłączenie oświetlenia.

Za pomocą przycisku oznaczonego symbolem ⚡ należy włączyć lub wyłączyć oświetlenie. Oświetlenie okapu działa niezależnie od silnika okapu. Przyciskając przycisk ⚡ nie włącza się silnika okapu.

Ponownie zamykając wysuwaną płytę frontową, wyłącznik ograniczający wyłączy zarówno silnik okapu, jak i oświetlenie.

Jeżeli włącznik silnika okapu i włącznik oświetlenia znajdują się w pozycji włączenia, silnik okapu zacznie działać i oświetlenie włączy się zaraz po wysunięciu płyty frontowej okapu.

STEROWANIE ZA POMOCĄ PRZYCISKÓW



- Ⓛ – Włączenie/wyłączenie działania okapu. Po przyciśnięciu tego przycisku okap zacznie działać z prędkością 1 (bądź na 1 stopniu mocy).
- ⚡ – Przycisnąć należy przycisk prędkości działania 2, aby uruchomić działanie silnika z prędkością 2.
- ⚡ – Przycisnąć należy przycisk prędkości działania 3, aby uruchomić działanie silnika z prędkością 3.
- ⚡ – Po przyciśnięciu tego przycisku, włączy się oświetlenie. W celu wyłączenia oświetlenia, przycisk ten należy ponownie przycisnąć.

STEROWANIE DOTYKOWE



- ① – Dotknięcie przycisku dotykowego włączenia/wyłączenia, aby umożliwić wybór prędkości działania silnika.
- ☞ – Dotknięcie przycisku prędkości działania 1, aby uruchomić działanie silnika z prędkością 1.
- ☞ – Dotknięcie przycisku prędkości działania 2, aby uruchomić działanie silnika z prędkością 2.
- ☞ – Dotknięcie przycisku prędkości działania 3, aby uruchomić działanie silnika z prędkością 3.
- ☞ – Ten przycisk dotykowy należy dotknąć, chcąc włączyć lampkę lub oświetlenie. W celu wyłączenia oświetlenia, przycisk ten należy ponownie dotknąć.

KONSERWACJA

UWAGA! Przed jakimikolwiek pracami konserwacyjnymi lub ingerencją okap należy wyłączyć z sieci elektrycznej, wyłączając go przy przyłączy i usuwając bezpiecznik przyłączy.

Jeżeli urządzenie przyłączone jest do sieci elektrycznej za pomocą wtyczki, wówczas wtyczkę należy wysunąć z gniazdka.

Czyszczenie

Okap należy regularnie czyścić (przynajmniej tak samo często, jak czyszczony jest filtr tłuszczowy), zarówno z wewnętrznej jak i zewnętrznej strony. Czyścić należy, używając do tego ściereczki, nasączonej neutralnym środkiem czyszczącym. Nie stosować agresywnych czy ścierających środków czyszczących. **NIE STOSOWAĆ ALKOHOLU!**

OSTRZEŻENIE: Zaniedbując podstawowe zalecenia, dotyczące czyszczenia okapu i wymiany filtrów, stwarza się ryzyko wybuchu pożaru. Dlatego zaleca się, aby stosować się do zaleceń. Producent uchyla się od jakiegokolwiek odpowiedzialności za uszkodzenia silnika lub szkodę, powstałą na skutek wybuchu pożaru, jeśli uszkodzenia te lub szkoda są skutkiem nieodpowiedniej konserwacji lub niezastosowania się do powyżej wymienionych zaleceń bezpieczeństwa.

Filtry

Metalowy filtr tłuszczowy zatrzymuje cząstki tłuszczu, uwalniające się podczas gotowania. Filtr tłuszczowy należy czyścić raz w miesiącu za pomocą delikatnych środków czyszczących, ręcznie lub w zmywarce do naczyń, ustawionej na krótki program i niską temperaturę. Jeżeli filtr jest myty w zmywarce do naczyń, może się odbarwić, co w żaden sposób nie wpływa na efektywność filtrowania. Filtr tłuszczowy należy wysunąć, zwalniając uchwyt sprężynowy.

Filtr węglowy (tylko w wersji pochłaniacza) pochłania nieprzyjemne zapachy, powstające podczas gotowania. Po dłuższym użytkowaniu dochodzi do nasycenia się filtra – w zależności od sposobu gotowania i tego, jak często czyszczony jest filtr tłuszczowy. W każdym przypadku wkład filtra węglowego należy wymieniać co cztery miesiące. Filtra węglowego NIE wolno myć czy regenerować.

Wymiana żarówek

Okap jest wyposażony w system oświetlenia, bazujący na technologii LED. Żarówki LED zapewniają optymalne oświetlenie, okres ich eksploatacji jest 10-krotnie dłuższy niż okres eksploatacji zwykłych żarówek, a równocześnie umożliwiają 90 % oszczędność energii elektrycznej.

UWAGA!

W celu wymiany należy zwrócić się do serwisu obsługi technicznej.

Wskazówki dotyczące oszczędzania energii elektrycznej

- 1) Okap należy włączyć na początku gotowania, ustawiając najniższą prędkość działania, aby kontrolować wilgoć i odprowadzać zapachy, powstające podczas gotowania.
- 2) Prędkość działania okapu należy podwyższyć jedynie wówczas, gdy jest to konieczne ze względu na ilość oparów.
- 3) Aby uzyskać optymalną skuteczność usuwania tłuszczu i zapachów, należy dbać o czystość filtra bądź filtrów, zamocowanych w okapie.

É favor seguir escrupulosamente as instruções deste manual. O construtor não se responsabiliza por qualquer inconveniente, dano ou incêndio resultante do incumprimento das instruções que constam deste manual. O exaustor está previsto para aspirar os fumos e vapores de cozedura e é destinado exclusivamente para um uso doméstico.

O exaustor pode ter um aspeto diferente daquele que é representado nas ilustrações deste modo de utilização, no entanto as instruções para a utilização, a manutenção e a instalação permanecem idênticas.

- ! Conserve este manual para poder consultá-lo em qualquer momento. No caso de venda, de cessão ou de mudança de casa, é favor verificar que fica com o aparelho!
- ! Leia atentamente este manual: possui informações importantes sobre a instalação, a utilização e a segurança!
- ! Não efetue nenhuma modificação elétrica ou mecânica no aparelho ou na conduta de evacuação!
- ! Antes de instalar o aparelho, verifique se nenhum elemento está danificado. Se for o caso, contacte o seu revendedor e não proceda à instalação!

Nota: os elementos com um asterisco (*) são acessórios opcionais fornecidos apenas com alguns modelos ou peças não fornecidos que devem ser comprados à parte.



ADVERTÊNCIA

AVISO! Não ligue o aparelho ao circuito elétrico enquanto a instalação não está completamente terminada.

Antes de qualquer operação de limpeza ou de manutenção, desligue o exaustor da fonte de alimentação elétrica retirando a ficha da tomada elétrica ou, no caso de ligação permanente, desarmando o disjuntor.

Ponha luvas de proteção antes de efetuar qualquer operação de instalação e de manutenção.

Este aparelho não está previsto para as crianças ou as pessoas com capacidades físicas, sensoriais ou mentais reduzidas ou sem experiência e de conhecimentos. Apenas poderão utilizá-lo sob a vigilância de um adulto responsável pela sua segurança e depois de a ter informado do seu funcionamento.

O exaustor está previsto para os adultos. Vigie as crianças para que estas não brinquem com o aparelho ou com os seus comandos.

Nunca coloque o exaustor em funcionamento se a grelha não estiver colocada corretamente no devido lugar.

Não pose NENHUM objeto em cima do exaustor exceto se for expressamente autorizado.

Quando o exaustor funciona ao mesmo tempo que outros aparelhos a gás ou outros combustíveis, a cozinha deve dispor de uma ventilação suficiente.

O ar aspirado pelo exaustor nunca deve ser expulso pela conduta de evacuação dos fumos de combustão libertados por aparelhos que funcionam a gás ou outros combustíveis.

É rigorosamente proibido flamejar os alimentos debaixo do exaustor.

Evite deixar queimar uma chama nua debaixo do exaustor, pois isso pode danificar os filtros e provocar um incêndio.

Vigie os fritos permanentemente, pois a gordura ou o óleo aquecido em excesso pode arder.

As partes acessíveis do exaustor podem ficarem bastantes quentes quando os aparelhos de cozedura estão em funcionamento.


Relativamente às medidas técnicas de segurança para a evacuação dos fumos, respeite rigorosamente as regulamentações e normas em vigor no seu país.

O exaustor deve ser regularmente limpo, tanto no interior como no exterior (PELO MENOS UMA VEZ POR MÊS), e isso respeitando as instruções de manutenção fornecidas neste manual. O incumprimento das instruções sobre a limpeza do exaustor assim como a substituição e a limpeza dos filtros pode provocar um risco de incêndio.

Para evitar qualquer risco de choque elétrico, não utilize o exaustor se as lâmpadas não estiverem no devido lugar.

Não nos responsabilizamos por qualquer disfunção, dano ou incêndio resultante do incumprimento das instruções deste manual.



Este símbolo  aparece no produto ou na sua embalagem em aplicação da diretiva europeia 2002/96/CE sobre os Resíduos de Equipamento Elétrico e Eletrônico (REEE). Esta diretiva serve de regulamento quadro à retoma, reciclagem e valorização dos aparelhos usados em toda a Europa. Este produto deve estar sujeito a uma recolha seletiva. Quando já não o utilizar, entregue-o a um serviço de recolha especializado ou a um centro de tratamento de resíduos que trata dos REEE; contribuirá assim para evitar consequências nefastas para a saúde e o ambiente.

Para qualquer informação sobre a reciclagem deste produto, é favor contactar a câmara ou o serviço da limpeza da sua municipalidade, ou ainda a loja onde o comprou.

Este aparelho foi desenvolvido, testado e fabricado de acordo com as seguintes normas:

- Segurança: EN/IEC 60335-1; EN/IEC 60335-2-31, EN/IEC 62233.
- Performances: EN/IEC 61591; ISO 5167-1; ISO 5167-3; ISO 5168; EN/IEC 60704-1; EN/IEC 60704-2-13; ISO 3741; EN 50564; IEC 62301.
- Compatibilidade eletromagnética: EN 55014-1; CISPR 14-1; EN 55014-2; CISPR 14-2; EN/IEC 61000-3-2; EN/IEC 61000-3-3.

Sugestões para uma utilização correta de forma a reduzir o impacto sobre o ambiente: ponha o exaustor em funcionamento à velocidade mínima quando começa a cozinhar e deixe-a funcionar durante alguns minutos após o fim da cozedura. Aumente a velocidade apenas no caso de fumo e de vapor importantes e apenas utilize a função booster em situações extremas. Substitua o(s) filtro(s) de carvão quando é necessário para que os odores sejam eliminados. Limpe o(s) filtro(s) de gordura quando é necessário para manter a sua eficácia. Sobre a bainha de evacuação, escolha o diâmetro máximo indicado neste manual para otimizar a eficácia e minimizar o ruído.

Instruções suplementares para a instalação

Para a instalação, utilize apenas os parafusos de fixação fornecidos com o produto ou, se não for possível, compre parafusos apropriados. Devem ter o comprimento indicado no Guia de instalação.

No caso de dúvida, consulte o serviço pós-venda autorizado ou uma pessoa qualificada.

AVISO! Se os parafusos ou o dispositivo de fixação não estiverem instalados de acordo com estas instruções, pode provocar riscos elétricos.

UTILIZAÇÃO

O exaustor pode funcionar em modo evacuação ou em modo reciclagem.



Versão evacuação

Neste caso, os vapores de cozedura são expulsos para o exterior através de um tubo de evacuação que é fixo a um anel de ligação cilíndrico montado na parte superior do exaustor.

AVISO! O tubo de evacuação não é fornecido e deve ser comprado à parte. O seu diâmetro deve ser igual ao do anel de ligação cilíndrico.

No seu percurso horizontal, o tubo deve ser ligeiramente inclinado para cima (cerca de 10°) de forma a expulsar o ar mais facilmente para o exterior.

AVISO! Se o exaustor estiver equipado de um filtro de carvão, será necessário retirá-lo.

O tubo de evacuação ligado ao exaustor e os orifícios perfurados nas paredes para a passagem do tubo devem ter o mesmo diâmetro que a saída de ar. Se eles tiverem um diâmetro inferior, irá provocar uma diminuição das performances de aspiração e um nítido aumento do ruído. Não nos responsabilizamos relativamente a este assunto.

- ! O tubo não deve ser mais comprido que o necessário.
- ! Os cotovelos do tubo devem ser os menos numerosos possíveis (ângulo máximo do cotovelo: 90°).
- ! Evite as variações excessivas da secção do tubo.
- ! Utilize um tubo mais liso possível na sua parte interna.
- ! O material do tubo deve estar conforme às normas.



Versão reciclagem

Convém utilizar um filtro de carvão ativo, disponível junto do seu revendedor habitual.

O ar aspirado será desengordurado e desodorizado antes de ser expulso para a peça através da grelha superior.

INSTALAÇÃO

O exaustor não deve ser instalado a menos de 50 cm acima de uma placa de cozedura elétrica e a menos de 65 cm de uma placa de gás ou mista.

Se o manual de utilização de um fogão ou de uma placa de cozedura a gás prevê uma distância superior, será necessário seguir estas recomendações.



Ligação elétrica

A tensão e a frequência da rede elétrica da sua habitação devem corresponder à tensão e à frequência indicadas na placa das características colocada no interior do aparelho. Se o exaustor tiver uma ficha elétrica, introduza firmemente a ficha numa tomada mural que deverá ser conforme às regulamentações e normas em vigor; esta ficha deve permanecer acessível após a instalação. Se o exaustor não estiver equipado de um cabo elétrico, ou se a ficha mural não estiver numa zona acessível após instalação, o aparelho deverá ficar ligado diretamente à rede elétrica; será então necessário, de acordo com as regras da arte, prever um disjuntor bipolar normalizado, capaz de separar completamente o aparelho do circuito elétrico no caso de sobretensão de categoria III.

Aviso: antes de voltar a ligar o exaustor à rede elétrica e de controlar o seu bom funcionamento, verifique sempre se o cabo de alimentação está corretamente instalado.

O exaustor está equipado de um cabo de alimentação especial; se estiver danificado, terá de encomendar um novo junto do serviço pós-venda.

Instalação

O aparelho é muito pesado; é melhor prever pelo menos duas pessoas para manipulá-lo e instalá-lo.

Antes de iniciar a instalação:

- Verifique se o produto comprado tem as dimensões adequadas para ser instalado no lugar escolhido.
- Retire o(s) filtro(s) de carvão ativo (*) se estes forem fornecidos (ver igualmente o capítulo "Manutenção"). Terá de voltar a coloca-los no devido lugar se utilizar o exaustor em modo reciclagem.
- Verifique se não resta qualquer pequeno material no interior do exaustor (saquinho de parafusos (*), carta de garantia (*), etc. Se for o caso, retire-os e conserve-os.
- Retire se possível os móveis que enquadram o exaustor e se encontram por baixo do mesmo para aceder mais facilmente à parede ou ao teto onde está fixo. Se não for possível, proteja com uma tela espessa a placa de cozedura, o plano de trabalho e os móveis adjacentes para os proteger dos eventuais danos e sujidades. Escolha uma superfície plana para montar o aparelho. Cubra esta superfície com uma proteção, e depois coloque em cima o exaustor e todas as peças fornecidas.
- Verifique se existe, em proximidade do lugar destinado ao exaustor, uma tomada elétrica que permanecerá acessível quando o aparelho estiver instalado. Certifique-se igualmente que é possível ligar o exaustor a uma bainha de evacuação que dê para o exterior da habitação (apenas se quiser utilizar o aparelho em modo evacuação).
- Realize todos os trabalhos preparatórios (instalação de uma tomada elétrica, realização de um furo para a passagem do tubo de evacuação dos vapores).

O exaustor é entregue com cavilhas de expansão que permitem fixá-lo solidamente à maioria das paredes e tetos. No entanto recomenda-se que um técnico qualificado verifique se as cavilhas e os parafusos estão apropriados para a sua parede/teto. A parede ou o teto devem ser suficientemente sólidos para suportar o peso do exaustor. Não coloque azulejos no exaustor nem junta de silicone ou outro material; deve apenas estar fixo à parede.

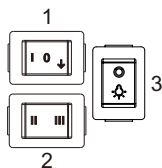
OPERAÇÃO

Use a velocidade de sucção alta em casos de vapores de cozinha concentrados. Recomenda-se que o exaustor seja ligado por 5 minutos antes do cozimento e deixado em funcionamento durante o cozimento e por aproximadamente mais 15 minutos após o término do cozimento. Abaixo estão descritos três tipos de operação.

INTERRUPTOR BASCULANTE

A operação do exaustor é controlada por (três) interruptores, localizados em cada lado. Eles são visíveis quando a frente telescópica é ejetada.

O exaustor telescópico está equipado com um interruptor de fim de curso. Toda vez que você ejetar a frente telescópica, o exaustor começará a operar com a marcha definida anteriormente.



1. 0 – Desligar o exaustor.
I – exaustor operando no nível de velocidade 1.
↓ – alterar para ativar a velocidade de motor II ou a velocidade de motor III.
2. II – exaustor operando no nível de velocidade 2 (quando o interruptor 1 está na posição ↓).
III – exaustor operando no nível de velocidade 3 (quando o interruptor 1 está na posição ↓).
3. O / – Acender ou apagar luz (ON / OFF).

O botão é usado para acender ou apagar a luz. A iluminação do exaustor funciona independentemente do mecanismo do aparelho. Pressionar não acionará o motor do exaustor.

Quando o painel frontal é voltado à posição fechada, o interruptor de fim de curso desliga o motor do exaustor e também apaga a luz. Se o motor do exaustor e o interruptor de luz já estiverem no estado LIGADO (ON), o motor do exaustor começará a funcionar e as luzes acenderão quando o painel frontal for puxado.

CONTROLE DE BOTÕES



- ① – Funcionamento do exaustor LIGADO / DESLIGADO (ON / OFF). Ao pressionar o botão, o exaustor começará a operar no nível de velocidade 1.
- Pressione o botão de velocidade 2 para dar partida no motor com velocidade 2.
- Pressione o botão de velocidade 3 para dar partida no motor com velocidade 3.
- Botão para acender a luz. Pressione novamente para apagar a luz.

CONTROLE DE TOQUE



- ① – Pressione o botão On/Off para começar a selecionar as velocidades do motor.
- ☞ – Pressione o botão de velocidade 1 para dar partida no motor com velocidade 1.
- ☞ – Pressione o botão de velocidade 2 para dar partida no motor com velocidade 2.
- ☞ – Pressione o botão de velocidade 3 para dar partida no motor com velocidade 3.
- ☞ – Pressione o botão de luz para acender a luz. Pressione novamente para apagar a luz.

MANUTENÇÃO

AVISO: antes de proceder a qualquer operação de limpeza ou de manutenção, desligue o aparelho da fonte de alimentação elétrica removendo a ficha da tomada elétrica ou, no caso de ligação permanente, desarmando o disjuntor, ou ainda retirando o fusível.

Limpeza

O exaustor deve ser limpo regularmente no interior e exterior (pelo menos à mesma frequência que os filtros de gordura). Utilize para tal uma esponja macia e um detergente líquido neutro. Evite qualquer produto abrasivo. **NÃO UTILIZE NENHUM ÁLCOOL!**

AVISO: se não respeitar as recomendações sobre a limpeza do exaustor e a substituição dos filtros, pode expor-se a um risco de incêndio.

O construtor não é responsável no caso de danos ao motor ou de incêndio resultante de uma manutenção negligente ou do incumprimento das instruções de segurança anteriormente mencionadas.

Filtros

O **filtro metálico de gordura** retém as partículas gordas provenientes da cozedura. Este filtro deve ser limpo uma vez por mês com um detergente não agressivo, à mão ou na máquina de lavar louça selecionando um programa curto em temperatura moderada. A limpeza na máquina de lavar louça pode descolorir o filtro de gordura, mas isso não altera em nada a sua eficácia. Para retirar o filtro de gordura, puxe a pequena pega de mola.

O **filtro de carvão ativo** (versão reciclagem apenas) neutraliza os odores desagradáveis de cozedura. Fica saturado após uma longa duração de utilização, em função do tipo de cozedura que praticar e da regularidade da limpeza do filtro de gordura. Em todos os casos, é necessário substituir o cartucho pelo menos de 4 em 4 meses. O filtro de carvão não DEVE ser lavado ou regenerado.

Substituir lâmpadas

O exaustor está equipado de lâmpadas de LED que garantem uma ótima iluminação, duram dez vezes mais tempos que as lâmpadas tradicionais e permitem poupar 90% de eletricidade.

AVISO!

Para a substituição contactar o serviço de assistência técnica.

Conselhos para poupar energia

- 1) Quando começa a cozinhar, ponha o exaustor em funcionamento na velocidade mínima para eliminar os vapores e os odores de cozedura.
- 2) Aumente a velocidade de aspiração apenas no caso de fumos e de vapores importantes;
- 3) Mantenha os filtros em bom estado de limpeza para que estes captam com eficácia os fumos e os odores.

Respectați instrucțiunile din acest manual. Toată responsabilitatea, pentru posibile viitoare inconveniente, pagube sau incendii cauzate de nerespectarea instrucțiunilor din acest manual este declinată. Hota este concepută pentru aspirarea vaporilor și fumului rezultat în urma gătitului și este destinată doar pentru uz domestic.

Hota poate arăta diferit față de ilustrația din acest manual. Instrucțiunile de utilizare, întreținere și instalare, totuși rămân neschimbate.

- ! Este important să se păstreze acest manual pentru consultări viitoare. În caz de vânzare, cesiune sau mutare, asigurați-vă că se face împreună cu produsul.
- ! Citiți instrucțiunile cu atenție: Sunt informații esențiale privind instalarea, utilizarea și siguranța.
- ! Nu exercitați variații electrice sau mecanice asupra produsului sau conductelor de evacuare.
- ! Înainte de a începe instalarea aparatului verificați să nu existe componente deteriorate. În caz contrar, contactați furnizorul și nu continuați cu instalarea.

Notă: elementele marcate cu simbolul "(*)" sunt accesorii opționale furnizate doar cu anumite modele sau elemente ce trebuie achiziționate, nu sunt furnizate.



ATENȚIE

AVERTIZARE! Nu conectați aparatul la rețeaua de electricitate până când instalarea nu este complet realizată.

Înainte de orice acțiune de curățare sau întreținere, deconectați hota de la rețeaua de electricitate prin scoaterea ștecherului din priză sau deconectarea de la rețeaua de electricitate.

Întotdeauna purtați mănuși de lucru în timpul tuturor operațiilor de instalare și întreținere.

Aparatul nu este creat pentru a fi utilizat de copii sau persoane cu dizabilități fizice, senzoriale sau mentale sau care nu au experiența sau cunoștințele necesare, doar dacă sunt supravegheați sau au fost instruiți în utilizarea aparatului de către o persoană responsabilă pentru siguranța acestora.

Acest aparat este creat pentru a fi operat de adulți, copiii trebuie monitorizați pentru a se asigura că aceștia nu se joacă cu aparatul.

Acest aparat este creat pentru a fi folosit de către adulți. Copiii nu trebuie să se joace cu aparatul.

Nu utilizați hota fără a avea montat grilajul!

Hota nu trebuie utilizată NICIODATĂ ca suprafață de suport dacă nu este precis indicat.

Locul unde este instalat aparatul trebuie să fie suficient ventilat, atunci când hota este folosită împreună cu alte dispozitive pe bază de combustie cu gaz sau alt combustibil.

Sistemul de conducte pentru acest aparat nu trebuie conectat la niciun sistem existent de ventilație care este folosit în alte scopuri precum evacuarea vaporilor de la aparatele care folosesc gaz sau alt combustibil.

Flambarea alimentelor sub hotă este strict interzisă.

Folosirea flăcării deschise poate dăuna filtrele și poate duce la risc de incendiu și, deci, trebuie evitată în orice împrejurări.

Acțiunea de prăjire trebuie realizată cu grijă pentru a vă asigura că uleiul nu se supraîncălzește și se aprinde. Părțile accesibile ale hotei pot deveni fierbinți când sunt utilizate cu aparatul electrocasnic de gătit.

În ceea ce privește măsurile tehnice și de siguranță pentru evacuarea vaporilor, este important să se respecte reglementările furnizate de autoritățile locale.

Hota trebuie curățată în mod regulat atât pe interior cât și pe exterior (CEL PUȚIN O DATĂ PE LUNĂ).


Acest lucru trebuie realizat în conformitate cu instrucțiunile de întreținere furnizate în acest manual). Nerespectarea acestor instrucțiuni furnizate în acest ghid al utilizatorului privind curățarea hotei și filtrelor va duce la risc de incendiu.

Nu utilizați sau lăsați hota fără a avea lampa corect montată din cauza posibilului risc de șoc electric.

Nu ne vom asuma niciun fel de răspundere pentru defecte, pagube sau incendii cauzate aparatului ca rezultat al nerespectării instrucțiunilor cuprinse în acest manual.

Acest aparat electrocasnic este marcat conform Directivei europene 2002/96/CE privind Deșeurile de Echipamente Electrice și Electronice (DEEE). Prin asigurarea faptului că acest produs este eliminat corect, puteți ajuta la prevenirea unor posibile consecințe negative pentru mediul înconjurător și sănătatea umană, care altfel ar putea fi cauzate de manipularea necorespunzătoare a deșeurilor acestui produs.



Simbolul  de pe produs sau de pe documentele care însoțesc produsul, indică faptul că acest aparat nu poate fi tratat ca deșeu menajer. În schimb, acesta trebuie dus la un centru corespunzător de colectare pentru reciclarea echipamentelor electrice și electronice. Eliminarea trebuie desfășurată în conformitate cu reglementările locale în vigoare în ceea ce privește eliminarea deșeurilor.

Pentru mai multe informații privind acest proces, colectarea și reciclarea acestui produs, contactați departamentul corespunzător sau departamentul local pentru deșeurile menajere sau magazinul de la care ați achiziționat acest produs.

Aparat creat, testat și produs în conformitate cu:

- Siguranță: EN/IEC 60335-1; EN/IEC 60335-2-31, EN/IEC 62233.
- Performanță: EN/IEC 61591; ISO 5167-1; ISO 5167-1; ISO 5168; EN/IEC 60704-1; EN/IEC 60704-1; ISO 3741; EN 50564; IEC 62301.
- EMC: EN 55014-1; CISPR 14-1; EN 55014-2; CISPR 14-2; EN/IEC 61000-3-2; EN/IEC 61000-3-3.

Sugestii pentru o utilizare corectă pentru a reduce impactul asupra mediului: Porniți hota la viteza minimă când începeți să gătiți și mențineți-o în funcțiune timp de câteva minute după ce ați oprit gătitul. Creșteți viteza doar în caz de cantitate mare de fum și vapori și folosiți creșteți viteza doar în situații extreme. Înlocuiți filtrul/ filtrele de cărbune când este necesar pentru a menține o bună eficiență în ceea ce privește reducerea mirosurilor. Curățați filtrul/ filtrele de grăsime când este necesar pentru a menține o bună eficiență a filtrului de grăsime. Folosiți diametrul maxim al sistemului de conducte indicat în acest manual pentru a optimiza eficiența și pentru a minimiza zgomotul.

Specificații Suplimentare Adiționale:

Folosiți pentru instalare doar șuruburile de prindere furnizate odată cu produsul sau, dacă nu sunt furnizate, achiziționați tipul corect de șuruburi. Folosiți lungimea corectă pentru șuruburi care este identificată în Ghidul de Instalare.

Dacă nu știți sigur, consultați un centru de service autorizat sau o persoană calificată.

AVERTIZARE! Neinstalarea șuruburilor sau a dispozitivelor de fixare în conformitate cu aceste instrucțiuni poate duce la pericole electrice.

UTILIZARE

Hota este creată pentru a fi folosită fie pentru versiunea de evacuare, fie pentru versiunea cu filtru.



Versiunea cu evacuare

În acest caz vaporii sunt evacuați în afara clădirii prin intermediul unei țevi speciale conectate cu inelul de legătură pe partea superioară a hotei.

Atenție! Conducta de evacuare nu este furnizată și trebuie achiziționată separat. Diametrul conductei de evacuare trebuie să fie egal cu cel al inelului de legătură.

Conducta de evacuare trebuie să fie în poziție orizontală și ușor înclinată (aproximativ 10°) și orientată în sus pentru a ventila aerul mai ușor din cameră către exterior.

Atenție! Dacă hota vine însoțită de un filtru de cărbune activ, atunci acesta trebuie îndepărtat.

Conectați hota și orificiile de evacuare de pe pereți având un diametru echivalent cu supapa de aer (flanșa de conectare).

Folosirea tuburilor și orificiilor de evacuare de pe pereți cu dimensiuni mai mici va cauza o diminuare a performanței de aspirare și a creșterea drastică a zgomotului.

Orice responsabilitate privind acest aspect este deci declinată.

- ! Folosiți o conductă cu lungimea minimă indispensabilă.
- ! Folosiți o conductă cu cât mai puține coturi posibile (unghiul maxim al cotului: 90°)
- ! Evitați schimbările drastice în secțiunea transversală a conductei.
- ! Utilizați o conductă cu interiorul cât mai fin posibil.
- ! Conducta trebuie să fie realizată dintr-un material certificat.



Versiunea cu filtru

Este necesar un filtru de cărbune activ și acesta poate fi obținut de la furnizorul dvs.

Filtrul înlătură grăsimea și mirosurile din aerul extras înainte să îl trimită înapoi în cameră prin supapa din partea superioară.

INSTALARE

Distanța minimă între suprafața de sprijin pentru echipamentul de gătit de pe plită și partea cea mai joasă a hotei nu trebuie să fie mai mică de 50 de cm față de aragazul electric și 65 de cm față de aragazul cu gaz sau combinat.

Dacă instrucțiunile de instalare pentru plita pe gaz specifică o distanță mai mare, se respectă aceasta.



Conexiunea electrică

Alimentarea de la rețeaua principală de electricitate trebuie să corespundă cu marcajul indicat pe plăcuța de pe partea interioară a hotei. Dacă vine însoțită de un cablu de alimentare cu ștecher, conectați hota la priză în conformitate cu reglementările în vigoare și poziționați priza într-o zonă accesibilă, după instalare. Dacă nu este furnizat un ștecher (conectare directă la rețea) sau dacă ștecherul nu este localizat într-o zonă accesibilă, după instalare, aplicați un comutator dublu în conformitate cu standardele care să asigure deconectarea completă de la rețea în condiții similare cu supra-curent de categoria III, în conformitate cu instrucțiunile de instalare.

Avertizare! Înainte de reconectarea hotei la rețeaua de electricitate și verificarea funcționării eficiente, întotdeauna verificați cablul să fie corect asamblat.

Hota este dotată cu un cablu special de alimentare; dacă acesta este deteriorat, solicitați unul nou de la Serviciul Tehnic.

Montare

Un produs foarte greu; manipularea și instalarea hotei trebuie să fie efectuată de cel puțin două persoane. Înainte de începerea instalării:

- Verificați ca produsul achiziționat să aibă mărimea adecvată pentru zona de instalare aleasă.
- Îndepărtați filtrul/filtrele de cărbune (*) dacă acestea sunt furnizate (vezi paragraful respectiv). Acesta/acestea va/vor fi montat(e) doar dacă dvs. doriți să folosiți hota în versiunea cu filtru.
- Verificați (din motive de transport) să nu existe în interiorul hotei alte materiale furnizate (de ex. pachet cu șuruburi(*), garanții(*), etc.), eventual le îndepărtați și le păstrați.
- Dacă este posibil, deconectați și mutați plita la distanță de deschizătura dulapurilor pentru a oferi acces la peretele din spate/ tavan. În caz contrar, adăugați un material gros de protecție care să acopere blatul de bucătărie, aragazul sau plita împotriva deteriorării sau a molozului. Selectați o suprafață plată pentru asamblarea unității. Acoperiți suprafața cu un material de protecție și puneți toate elementele hotei în ea.
- În plus, verificați dacă în apropierea zonei de instalare a hotei (în zona accesibilă și când hota este montată) este disponibilă o priză electrică și, dacă este posibil, conectați un dispozitiv de evacuare a vaporilor (doar cu versiunea cu aspirare).
- Realizați toate lucrările de zidărie necesare (de ex. instalarea unei prize electrice și/sau unui orificiu pentru trecerea conductei de evacuare).

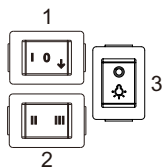
Sunt furnizate dibluri cu expansiune pentru perete pentru a securiza hota pe cele mai multe tipuri de pereți/ tavane. Totuși, un tehnician calificat trebuie să verifice materialele în conformitate cu tipul de perete/ tavan. Peretele/ tavanul trebuie să fie suficient de puternic pentru a susține greutatea hotei. Nu plăcați cu faianță/gresie, tencuiți sau aplicați silicon pentru a monta hota pe perete. Se montează doar pe suprafețe.

UTILIZARE

Folosiți viteza mare de aspirație în cazurile în care în bucătărie există aburi concentrați. Se recomandă pornirea hotei cu 5 minute înainte de a începe să gătiți și ținerea acesteia în funcțiune în timpul întregului proces de gătit și aproximativ încă 15 minute după terminarea acestuia. Mai jos sunt descrise trei moduri de utilizare.

COMUTATOR CULBUTOR

Funcționarea hotei este controlată de (trei) comutatoare amplasate pe fiecare latură. Acestea sunt vizibile atunci când panoul telescopic este împins în afară. Hota telescopică este dotată cu un întrerupător de sfârșit de cursă. De fiecare dată când împingeți panoul telescopic în afară, hota va începe să funcționeze la viteza configurată anterior.



- 0 – Oprirea hotei.
I – funcționarea hotei la 1-ul nivel de viteză.
↓ – comutați pentru a activa viteza II sau III a motorului.
- II – funcționarea hotei la al 2-lea nivel de viteză (când comutatorul 1 este în poziția ↓).
III – funcționarea hotei la al 3-lea nivel de viteză (când comutatorul 1 este în poziția ↓).
- O / – Lumină APRINSĂ / STINSĂ.

Butonul marcat este folosit pentru a aprinde sau a stinge lumina. Sistemul de iluminare al hotei funcționează independent de motorul hotei. Apăsând nu veți declanșa motorul hotei.

Când panoul frontal revine în poziția închisă, întrerupătorul de sfârșit de cursă oprește motorul hotei și stinge lumina.

Dacă comutatorul pentru motorul hotei și comutatorul pentru lumină sunt deja pornite, motorul hotei va începe să funcționeze și luminile se vor aprinde atunci când panoul frontal este tras în afară.

UTILIZAREA BUTOANELOR



- PORNIREA/OPRIREA hotei. Atunci când apăsați acest buton, hota va începe să funcționeze la 1-ul nivel de viteză.
- Apăsați butonul pentru Viteza a 2-a pentru a porni motorul în viteza a 2-a.
- Apăsați butonul pentru Viteza a 3-a pentru a porni motorul în viteza a 3-a.
- Butonul Lumină pentru aprinderea luminii. Apăsați butonul încă o dată pentru a stinge lumina.

COMENZILE TACTILE



- ① – Apăsaiți butonul Pornire/Oprire pentru a începe să selectați viteza motorului.
- ☘ – Apăsaiți butonul pentru Viteza a 1-a pentru a porni motorul în viteza a 1-a.
- ☘ – Apăsaiți butonul pentru Viteza a 2-a pentru a porni motorul în viteza a 2-a.
- ☘ – Apăsaiți butonul pentru Viteza a 3-a pentru a porni motorul în viteza a 3-a.
- 💡: – Apăsaiți butonul Lumină pentru aprinderea luminii. Apăsaiți butonul încă o dată pentru a stinge lumina.

ÎNȚREȚINERE

ATENȚIE! Înainte de efectuarea oricărei operațiuni de întreținere, izolați hota de rețeaua de alimentare cu energie electrică mutând conectorul în poziția oprit și îndepărtarea siguranței.

Sau dacă aparatul a fost conectat printr-un ștecher și priză, atunci ștecherul trebuie să fie scos din priză.

Curățare

Hota trebuie curățată regulat (cel puțin cu aceeași frecvență cu care desfășurați întreținerea filtrului de grăsime) pe interior și exterior. Curățați folosind o cârpă umedă cu detergent lichid neutru. Nu utilizați produse abrazive. **NU UTILIZAȚI ALCOOL!**

Avertizare! Neîndeplinirea recomandărilor de bază privind curățarea hotei și înlocuirea filtrelor poate cauza risc de incendiu. Așa că, vă recomandăm să respectați aceste instrucțiuni. Producătorul declină orice responsabilitate pentru deteriorarea motorului sau deteriorări provocate de incendiu legate de întreținerea necorespunzătoare sau nerespectarea recomandărilor de siguranță mai sus menționate.

Filtre

Filtrul de grăsime de metal captează particulele de grăsime de la gătit. Filtrul de grăsime trebuie curățat o dată pe lună folosind detergenți neabrazivi, fie cu mâna sau în mașina de spălat vase, care trebuie să fie setată la o temperatură joasă și un ciclu scurt de spălare. Când este spălat în mașina de spălat vase, filtrul de grăsime se poate decolora, dar acest lucru nu afectează capacitatea de filtrare. Pentru a îndepărta filtrul de grăsime, trageți mânerul cu arc pentru eliberare.

Filtrul de cărbune (doar pentru versiunea cu filtru) absoarbe mirosurile neplăcute cauzate de gătit. Saturația filtrului de cărbune apare după o utilizare prelungită, în funcție de tipul de gătit și de caracterul regulat al curățării filtrului de grăsime. În orice caz, este necesar să se înlocuiască cartușul cel puțin o dată la patru luni. Filtrul de cărbune nu poate fi spălat sau recondiționat.

Înlocuirea becurilor

Hota este dotată cu un sistem de iluminat bazat pe tehnologie LED. LED-urile garantează o iluminare optimă, o durată de până la 10 ori mai mare decât a becurilor tradiționale și permite economisirea a 90% din energia electrică.

AVERTIZARE!

Pentru înlocuire adresați-vă serviciului de asistență tehnică.

Sfaturi pentru economisirea energiei

- 1) Când începeți să gătiți, porniți hota la viteza minimă, pentru a controla umiditatea și îndepărtarea mirosului rezultat în urma gătitului.
- 2) Măriți viteza hotei doar când cantitatea de vapori cere acest lucru.
- 3) Păstrați filtrul/filtrele hotei curate pentru a optimiza eficiența în ceea ce privește grăsimea și mirosul.

Точно следуйте указаниям данной инструкции по эксплуатации! Производитель не несет ответственность за неисправности, ущерб и возгорание прибора, возникшие вследствие несоблюдения указаний данной инструкции. Прибор предназначен для использования в домашних условиях для отвода дыма и испарений, образующихся при приготовлении.

Прибор может отличаться по дизайну от прибора, приведенного на рисунках данной инструкции. При этом следуйте указаниям по эксплуатации, техническому обслуживанию и монтажу, приведенным в данной инструкции.

- ! Держите инструкцию вблизи от прибора. Обязательно сохраните инструкцию и другую прилагаемую документацию. При передаче прибора новому владельцу не забудьте передать также эти документы.
- ! Внимательно прочитайте инструкцию, так как она содержит важную информацию по монтажу, эксплуатации и безопасному использованию прибора.
- ! Запрещается вносить любые изменения в конструкцию, электрическую схему и систему отвода отработанного воздуха данного прибора.
- ! Перед монтажом проверьте прибор на предмет повреждений. При обнаружении повреждений не устанавливайте прибор и обратитесь в магазин, в котором вы приобрели прибор.

Примечание. Принадлежности, отмеченные звездочкой «(*)», входят в комплект оборудования только некоторых моделей. При желании принадлежности можно приобрести как дополнительное оборудование.



ВНИМАНИЕ!

ПРЕДУПРЕЖДЕНИЕ! Не подключайте прибор к электросети, пока монтаж полностью не завершен.

Перед очисткой и обслуживанием отключите вытяжку от электросети, вынув вилку присоединительного кабеля из розетки или выключив предохранитель.

При выполнении работ по монтажу и обслуживанию надевайте защитные перчатки.

Использование прибора детьми, людьми с ограниченными физическими, двигательными и психическими способностями, а также людьми, не имеющими достаточного опыта или знаний для его использования, допускается только под присмотром или если они были обучены пользованию прибором лицами, отвечающими за их безопасность.

Прибор предназначен для использования взрослыми. Не позволяйте детям играть с прибором.

Прибор предназначен для использования взрослыми. Не позволяйте детям играть с элементами управления и самим прибором.

Не используйте прибор, если решетка неправильно установлена!

КАТЕГОРИЧЕСКИ запрещается использовать вытяжку в качестве опорной плоскости, если это не оговаривается отдельно.

Обеспечьте достаточную вентиляцию помещения, если в нем кроме вытяжки установлены приборы, работающие на газе или другом топливе.

Нельзя отводить воздух из вытяжки через вентиляционные каналы приборов, работающих на газе или другом топливе.

Категорически запрещается готовить на открытом огне и фламбировать под вытяжкой.

Использование открытого огня может привести к повреждению или возгоранию фильтров, поэтому избегайте этого при любых обстоятельствах.

Запрещается жарить пищу без присмотра, так как масло может перегреться и воспламениться. Во время работы варочного прибора, размещенного под вытяжкой, доступные части вытяжки могут сильно нагреваться.

Строго соблюдайте технические предписания и указания по безопасности местных уполномоченных органов в области отвода отработанного воздуха.

Регулярно очищайте внутренние и внешние поверхности прибора (НЕ РЕЖЕ ОДНОГО РАЗА В МЕСЯЦ).


Несоблюдение указаний по очистке прибора, а также очистке и замене фильтров может стать причиной возгорания.

Запрещается использовать и оставлять вытяжку с неправильно установленными лампочками, так как это может привести к удару электрическим током.

Производитель не несет ответственность за неисправности, ущерб и возгорание прибора, возникшие вследствие несоблюдения указаний данной инструкции.

Данный прибор маркирован в соответствии с Европейской директивой 2002/96/EC по обращению с отходами от электрического и электронного оборудования (WEEE). Соблюдая правила утилизации изделия, вы можете предотвратить причинение ущерба окружающей среде и здоровью людей, который возможен вследствие неподобающего обращения с подобными отходами.



Символ  на изделии или в сопроводительных документах указывает, что оно не подлежит утилизации в качестве бытовых отходов. Изделие следует сдать в соответствующий пункт приема электронного и электрооборудования для последующей утилизации.

За более подробной информацией об утилизации изделия просьба обращаться к местным властям, в службу по вывозу и утилизации отходов или в магазин, в котором вы приобрели изделие.

Прибор разработан, протестирован и произведен в соответствии со следующими стандартами и регламентами:

- безопасность: EN/IEC 60335-1; EN/IEC 60335-2-31, EN/IEC 62233,
- эффективность работы: EN/IEC 61591; ISO 5167-1; ISO 5167-3; ISO 5168; EN/IEC 60704-1; EN/IEC 60704-2-13; ISO 3741; EN 50564; IEC 62301,
- электромагнитная совместимость: EN 55014-1; CISPR 14-1; EN 55014-2; CISPR 14-2; EN/IEC 61000-3-2; EN/IEC 61000-3-3.

Рекомендации по эксплуатации для уменьшения воздействия на окружающую среду

ВКЛЮЧАЙТЕ вытяжку в начале приготовления на минимальной скорости. Оставляйте вытяжку работать несколько минут после завершения приготовления. Увеличивайте скорость работы, только если увеличивается интенсивность испарений. Используйте турборежим или самую высокую скорость только при необходимости. Вовремя меняйте угольные фильтры (угольный фильтр) для эффективного удаления неприятных запахов. Регулярно очищайте жировые фильтры (жировой фильтр) для поддержания их эффективной работы. Используйте вытяжные шланги с наибольшим допустимым диаметром, приведенным в данной инструкции, это обеспечит максимально эффективную работу вытяжки и минимальный уровень шума.

Дополнительные указания по установке

Для монтажа используйте винты, поставляемые в комплекте. Если винты не входят в комплект поставки, приобретите винты соответствующего типа. Длина винтов должна соответствовать параметрам, указанным в разделе УСТАНОВКА. Если у вас возникли сомнения, обратитесь к авторизованному сервисному специалисту.

ПРЕДУПРЕЖДЕНИЕ! Использование винтов и крепежных деталей, несоответствующих требованиям данной инструкции, может привести к удару электрическим током.

ИСПОЛЬЗОВАНИЕ

Вытяжка может работать в режиме отвода воздуха или рециркуляции.



Работа в режиме отвода воздуха

В режиме отвода загрязненный воздух отводится из помещения через специальный вытяжной шланг, который крепится к отверстию воздуховода в верхней части вытяжки.

Внимание! Вытяжной шланг не входит в комплект поставки и приобретается отдельно. Диаметр шланга должен соответствовать диаметру отверстия воздуховода.

При горизонтальной прокладке укладывайте шланг суклоном вверх 10°, чтобы обеспечить беспрепятственный отвод отработанного воздуха.

Внимание! Снимите угольный фильтр, если он установлен.

При подсоединении вытяжки к отверстию в стене диаметр вытяжного шланга должен соответствовать диаметру отверстия воздуховода.

Малый диаметр вытяжного шланга и отверстия в стене снижают эффективность отвода воздуха и значительно повышают уровень шума. В этом случае производитель не несет ответственность.

- ! Важно, чтобы проложенный вытяжной шланг не был слишком длинным.
- ! Прокладывайте вытяжной шланг с наименьшим количеством изгибов. Максимальный угол изгиба 90°.
- ! Старайтесь менять диаметр вытяжного шланга незначительно.
- ! Внутренняя поверхность вытяжного шланга должна быть максимально гладкая.
- ! Вытяжной шланг должен быть изготовлен из сертифицированных материалов.



Работа в режиме рециркуляции

В режиме рециркуляции должен быть установлен угольный фильтр, который можно приобрести в магазине или сервисном центре.

Фильтр задерживает частички жира и запахи и возвращает очищенный воздух в помещение через верхнюю решетку.

УСТАНОВКА

Минимальное расстояние между нижним краем вытяжки и:

- электрической варочной поверхностью — 50 сантиметров,
- газовой/комбинированной варочной поверхностью — 65 сантиметров.

Если в инструкции по установке газовой плиты/панели указано большее расстояние, учитывайте это расстояние.



Подключение к электросети

Перед подключением проверьте, совпадают ли данные, указанные в заводской табличке внутри прибора, с фактическими параметрами электросети. Если присоединительный кабель вытяжки оборудован вилкой, вставьте вилку в розетку, установленную в соответствии с действующими правилами и расположенную в доступном месте. Если присоединительный кабель вытяжки не оборудован вилкой или розетка расположена в недоступном месте, подключите прибор к двухполюсному выключателю, обеспечивающему полное размыкание сети при возникновении перенапряжения категории III, в соответствии с инструкциями по установке.

Предупреждение! Перед подключением вытяжки к электросети и проверкой исправной работы убедитесь, что присоединительный кабель правильно подключен.

Вытяжка поставляется в комплекте с соответствующим кабелем. Если кабель поврежден, за заменой обратитесь в авторизованный сервисный центр.

Монтаж

Вытяжка тяжелая, поэтому переносить и производить ее монтаж должно не менее двух человек. Перед началом монтажа:

- Проверьте, подходит ли изделие по размерам к выбранному месту для монтажа.
- Снимите угольные фильтры (угольный фильтр) (*), если вытяжка ими комплектуется (см. соответствующий раздел). Устанавливайте угольные фильтры (угольный фильтр), если используете вытяжку в режиме рециркуляции.
- Проверьте, нет ли внутри вытяжки каких-либо предметов, которые могли туда попасть при транспортировке, например, пакет с винтами (*), гарантийный лист (*), и при наличии выньте их.
- При возможности отключите от электросети и отодвиньте плиту или извлеките варочную панель из столешницы, чтобы обеспечить свободный доступ к стене или потолку в области монтажа. Если это невозможно, накройте плиту или варочную панель толстым материалом для защиты от повреждений. Сборку вытяжки производите на ровной поверхности. Накройте поверхность защитным материалом и разложите детали вытяжки и крепежные детали.
- Проверьте, имеется ли области монтажа вытяжки розетка, к которой будет обеспечен свободный доступ после завершения монтажа, и подключение к каналу для отвода отработанного воздуха.
- Выполните необходимые строительные-монтажные работы (установка розетки, устройство отверстия для выводящего шланга).

Для крепления вытяжки к различным типам стен и потолка прилагаются дюбели. Перед монтажом квалифицированный специалист должен проверить соответствие поверхности стены или потолка. Стена или потолок должны быть прочными, чтобы выдержать вес прибора. Не крепите вытяжку на стену с помощью жидких гвоздей, силикона и т. п. Прибор предназначен только для накладного монтажа.

Официальный импортер в РФ: ООО «Горенье БТ», 119180, Москва, Якиманская наб., 4, стр. 1.
Тел. 8-800-700-05-15

ИНФОРМАЦИЯ О СРОКЕ СЛУЖБЫ

Срок службы, установленный на данное изделие в соответствии с постановлением Правительства РФ № 720 от 16.06.97 - 10 лет со дня изготовления
Сделано в Китае



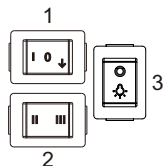
РАБОТА

Включайте высокую скорость при высокой концентрации дыма и запаха в кухне. Рекомендуется включать вытяжку за 5 минут до начала приготовления, оставлять ее работающей во время готовки и около 15 минут после окончания приготовления. Ниже приведено описание трех типов управления.

УПРАВЛЕНИЕ С ПЕРЕКЛЮЧАТЕЛЯМИ

Вытяжка управляется с помощью трех переключателей, расположенных с каждой стороны. Переключатели видны при выдвинутой телескопической части.

Телескопическая вытяжка оборудована автоматическим выключателем. После выдвигания телескопической части вытяжка включается на ранее установленной скорости.

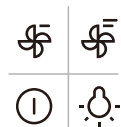


- 0 – Вытяжка выключена.
I – Вытяжка работает на скорости 1.
↓ – Переключение на скорость 2 или 3.
- II – Вытяжка работает на скорости 2 (когда переключатель 1 в положении ↓).
III – Вытяжка работает на скорости 3 (когда переключатель 1 в положении ↓).
- 0 / – ВКЛ./ВЫКЛ. подсветки.

Переключатель с символом включает или выключает подсветку. Подсветка работает независимо от мотора вытяжки. Нажатие на кнопку не включает мотор.

После закрывания телескопической части автоматический выключатель выключает подсветку и мотор вытяжки. Если переключатели скорости и подсветки включены, то при выдвигании телескопической части мотор и подсветка автоматически включатся.

УПРАВЛЕНИЕ С КНОПКАМИ



- ВКЛ./ВЫКЛ. вытяжки. Включает вытяжку на скорости 1.
- Нажмите, чтобы включить скорость 2.
- Нажмите, чтобы включить скорость 3.
- Нажмите, чтобы включить подсветку. Снова нажмите, чтобы выключить подсветку.

СЕНСОРНОЕ УПРАВЛЕНИЕ



- ① – Нажмите сенсор ВКЛ./ВЫКЛ., чтобы можно было выбрать скорость.
- ☄ – Нажмите, чтобы включить скорость 1.
- ☄ – Нажмите, чтобы включить скорость 2.
- ☄ – Нажмите, чтобы включить скорость 3.
- 💡 – Нажмите, чтобы включить подсветку. Снова нажмите, чтобы выключить подсветку.

ОБСЛУЖИВАНИЕ

ВНИМАНИЕ! Перед очисткой и любыми другими работами убедитесь, что присоединительный кабель прибора отключен от электропитания или выключен общий выключатель электросети.

Если прибор подключен к электросети через розетку, выньте из нее вилку присоединительного кабеля.

Очистка

Регулярно очищайте внутренние и внешние поверхности прибора (не реже, чем жировые фильтры). Для очистки используйте ткань, смоченную нейтральным жидким чистящим средством. Запрещается использовать абразивные чистящие средства. **ЗАПРЕЩАЕТСЯ ИСПОЛЬЗОВАТЬ СПИРТ!**

ПРЕДУПРЕЖДЕНИЕ! Несоблюдение правил очистки прибора и замены фильтров может привести к возгоранию, поэтому рекомендуется соблюдать приведенные указания. Производитель не несет ответственность за возможные неисправности мотора и возгорание вследствие неправильного ремонта или несоблюдения приведенных указаний.

Фильтры

Металлический жировой фильтр задерживает частички жира. Очищайте жировой фильтр один раз в месяц неагрессивным моющим средством вручную или в посудомоечной машине на быстрой программе при низкой температуре. При мытье в посудомоечной машине цвет фильтра может измениться, но это не влияет на функциональность фильтра. Для извлечения жирового фильтра потяните его ручку вниз.

Угольный фильтр (для работы в режиме рециркуляции) поглощает неприятные запахи, образующиеся при приготовлении. Срок службы и степень загрязнения фильтра зависят от интенсивности ежедневного приготовления и частоты очистки жирового фильтра. В любом случае картридж угольного фильтра необходимо менять каждые четыре месяца. Угольный фильтр **НЕЛЬЗЯ** мыть и регенерировать.

Замена лампочек

Вытяжка оборудована современными светодиодными лампочками, которые обеспечивают оптимальное освещение, служат в 10 раз дольше по сравнению с обычными лампочками и экономят до 90% электроэнергии.

ПРЕДУПРЕЖДЕНИЕ!

Для замены светодиодов обращаться в службу технического обслуживания.

Советы по экономии электроэнергии

- 1) Вначале приготовления включайте вытяжку на минимальной скорости, чтобы контролировать отведение пара и запахов.
- 2) Увеличивайте скорость работы вытяжки, только если увеличивается интенсивность испарений.
- 3) Для эффективного удаления жировых испарений и запаха регулярно очищайте фильтры (фильтр) вытяжки.

Prísne dodržiavajte pokyny uvedené v tomto návode. Výrobca odmieta zodpovednosť za prípadné ťažkosti, škody alebo vznietenie, ktoré boli spôsobené nedodržaním pokynov uvedených v tomto návode. Odsávač pár slúži na odsávanie spalín a výparov z varenia a je určený výhradne na domáce použitie.

Odsávač pár môže vyzerat' ináč ako na obrázku v tejto brožúre. Návod na použitie, údržbu a inštaláciu sú však stále rovnaké.

- ! Je dôležité uchovať si túto príručku, aby ste ju mohli kedykoľvek v prípade potreby použiť. V prípade predaja, postúpenia alebo sťahovania zaistíte, aby zostala spoločne s výrobkom.
- ! Pozorne si prečítajte tieto pokyny: obsahujú dôležité informácie o inštalácii, použití a bezpečnosti.
- ! Nevykonávajte elektrickú ani mechanickú úpravu výrobku alebo odvádzacieho potrubia.
- ! Skôr než budete pokračovať s inštaláciou spotrebiča, skontrolujte, či nie sú súčiastky poškodené. V prípade akéhokoľvek poškodenia sa obráťte na predajcu a nepokračujte v inštalácii.

Poznámka: Označenie symbolom „(*)“ znamená voliteľné príslušenstvo, ktoré sa dodáva iba pri niektorých modeloch, alebo súčiastky, ktoré je potrebné si dokúpiť a nie sú súčasťou balenia.



POZOR

UPOZORNENIE! Spotrebič nezapájajte do siete, pokiaľ nie je jeho inštalácia dokončená.

Pred každým čistením alebo údržbou odpojte odsávač pár zo siete vytiahnutím zástrčky alebo odpojením sieťového napájania.

Pri každom čistení a údržbe používajte pracovné rukavice.

Spotrebič nie je určený na použitie pre deti alebo osoby so slabšími fyzickými, zmyslovými alebo mentálnymi schopnosťami alebo nedostatkom skúseností a vedomostí, s výnimkou prípadov, keď sú pod dozorom alebo boli oboznámené s použitím spotrebiča osobou zodpovednou za ich bezpečnosť.

Spotrebič je navrhnutý na to, aby ho používali dospelí, deti by mali byť pod dozorom, aby sa so spotrebičom nehrali.

Tento spotrebič je navrhnutý na to, aby ho používali dospelí. Deťom by sa nemalo dovoliť manipulovať s ovládacími prvkami ani hrať sa so spotrebičom.

Nikdy nepoužívajte odsávač pár bez správne namontovanej mriežky!

Odsávač pár sa NIKDY nemôže používať ako oporný povrch, pokiaľ to pri ňom nie je špecificky označené.

Ak sa odsávač pár používa spolu s inými zariadeniami spaľujúcimi plyn alebo iné palivá, miestnosť, v ktorej je spotrebič nainštalovaný, musí byť dostatočne vetraná.

Systém odvádzania vzduchu nesmie byť pripojený k žiadnemu ventilačnému systému, ktorý sa používa na iný účel, ako napríklad vypúšťanie spalín zo spotrebičov spaľujúcich plyn alebo iné palivá.

Je striktné zakázané flambovať jedlo pod odsávačom pár.

Použitie otvoreného ohňa poškodzuje filtre a môže spôsobiť riziko požiaru, preto sa mu treba za každých okolností vyhnúť.

Jedlo sa musí vypražať opatrne, aby sa olej neprehrial a nezapálil. Počas používania odsávača pár sa môžu niektoré jeho dostupné časti zohriať na vysokú teplotu.

Vzhľadom na technické a bezpečnostné opatrenia, ktoré je potrebné prijať v súvislosti s vypúšťaním spalín, je dôležité prísne dodržiavať nariadenia miestnych orgánov.

Odsávač pary sa musí pravidelne čistiť zvnútra, ako aj zvonku (MINIMÁLNE RAZ MESAČNE).


Čistenie sa musí vykonávať v súlade s pokynmi týkajúcimi sa údržby, ktoré sú uvedené v tomto návode. Nedodržanie pokynov týkajúcich sa čistenia odsávača pár a filtrov uvedených v tomto návode vedie k riziku vzniku požiaru.

Odsávač pár nepoužívajte ani nenechávajte bez toho, aby bola žiarovka správne namontovaná, pretože v opačnom prípade hrozí riziko zásahu elektrickým prúdom.

Neprevezmeme zodpovednosť za akékoľvek chyby, škody alebo požiare spôsobené nedodržaním pokynov uvedených v tomto návode.

Tento spotrebič je označený podľa európskej smernice 002/96/ES o odpade z elektrických a elektronických zariadení (OEEZ). Zabezpečením správnej likvidácie tohto výrobku pomôžete predísť negatívnym vplyvom na životné prostredie a ľudské zdravie, ktoré by spôsobil nesprávny postup pri jeho likvidácii.



Symbol  na výrobku alebo na sprievodnej dokumentácii výrobku označuje, že s týmto zariadením sa nesmie zaobchádzať ako s komunálnym odpadom. Namiesto toho by sa mal odovzdať do príslušnej zberne na recykláciu elektrických a elektronických zariadení. Likvidácia sa musí uskutočniť v súlade s miestnymi nariadeniami o zneškodnení odpadov šetrnom k životnému prostrediu.

Pre bližšie informácie o spracovaní, zbere a recyklácii tohto výrobku kontaktujte príslušné miestne úrady, služby pre zber komunálneho odpadu alebo predajňu, v ktorej ste výrobok zakúpili.

Tento spotrebič bol navrhnutý, testovaný a vyrobený v súlade s nasledujúcimi normami:

- Bezpečnosť: EN/IEC 60335-1; EN/IEC 60335-2-31, EN/IEC 62233.
- Výkonnosť: EN/IEC 61591; ISO 5167-1; ISO 5167-3; ISO 5168; EN/IEC 60704-1; EN/IEC 60704-2-13; ISO 3741; EN 50564; IEC 62301.
- EMC (elektromagnetická kompatibilita): EN 55014-1; CISPR 14-1; EN 55014-2; CISPR 14-2; EN/IEC 61000-3-2; EN/IEC 61000-3-3.

Odporúčania pre správne použitie s cieľom znížiť dopad na životné prostredie: Keď začínate s varením, ZAPNITE odsávač pár na minimálnu rýchlosť a nechajte ho bežať niekoľko minút po ukončení varenia. Rýchlosť zvýšte len v prípade veľkého množstva dymu a výparov a použite vysokú rýchlosť (rýchlosť) len v extrémnych situáciách. Vymeňte uhlíkový filter (uhlíkové filtre), ak je to potrebné na udržanie dobrej účinnosti zníženia zápachu. Vyčistite filter (filtre) proti mastnotám, ak je to potrebné na udržanie jeho účinnosti. Použite maximálny priemer systému odvádzania vzduchu, ktorý je uvedený v tomto návode, na optimalizáciu účinnosti a minimalizáciu hluku.

Doplňujúce špecifikácie týkajúce sa inštalácie:

Používajte len upevňovacie skrutky, ktoré sa dodávajú spolu s výrobkom alebo v prípade, že nie sú súčasťou balenia, si kúpte správny druh skrutiek. Použite správnu dĺžku skrutiek, ktorá je uvedená v Pokynoch k inštalácii.

V prípade pochybností sa poraďte s autorizovaným servisným strediskom alebo podobne kvalifikovanou osobou.

UPOZORNENIE! Ak sa skrutky alebo upevňovacie zariadenie nenainštalujú v súlade s týmto návodom, môže to viesť k nebezpečenstvu zásahu elektrickým prúdom.

POUŽITIE

Odsávač pár je dostupný v odťahovej a filtračnej verzii.



Odťahová verzia

V tomto prípade sa spaliny odvádzajú von z budovy prostredníctvom špeciálnej rúry pripojenej ku kruhovému spojeniu, ktoré sa nachádza hore na odsávači pár.

Pozor! Odťahové potrubie nie je súčasťou balenia a je nutné ho zakúpiť. Priemer odťahového potrubia musí byť rovnaký ako priemer kruhového spojenia.

Na vodorovnej časti musí byť potrubie mierne naklonené (približne 10°) smerom nahor, aby sa vzduch mohol ľahšie odvádzajú von z miestnosti.

Pozor! Ak je odsávač pár vybavený uhlíkovými filterami, musíte ich vybrať.

Napojte odsávač pár na otvor pre odvádzacie potrubie v stene s rovnakým priemerom ako vývod vzduchu (spojovacia príruha).

Použitie odvádzacieho potrubia a otvorov v stene s menším priemerom spôsobí zníženie výkonnosti odsávania a radikálne zvýšenie hlučnosti.

Výrobca odmieta akúkoľvek zodpovednosť v súvislosti s vyššie uvedeným.

- ! Použite rúrku s minimálnou potrebnou dĺžkou.
- ! Použite rúrku s čo najmenším počtom ohybov (maximálny uhol: 90°).
- ! Vyhňte sa drastickým zmenám v ploche rúrky.
- ! Použite rúrku, ktorá je vo vnútri čo najhladšia.
- ! Rúrka musí byť vyrobená z certifikovaného materiálu.



Filtračná verzia

Na to je potrebný jeden aktívny uhlíkový filter, ktorý si môžete zakúpiť od svojho predajcu.

Predtým, ako sa vzduch vypustí späť do miestnosti cez hornú vypúšťaciu mriežku, filter odstráni z odsávaného vzduchu masnosť a pachy.

INŠTALÁCIA

Minimálna vzdialenosť medzi oporným povrchom pre zariadenie na varnej platni a najnižšou časťou odsávača pár nesmie byť menej ako 50 cm v prípade elektrických sporákov a 65 cm v prípade plynových či kombinovaných sporákov.

Pokiaľ sa v pokynoch k inštalácii plynovej varnej platne odporúča väčšia vzdialenosť, je potrebné ju dodržať.



Elektrické pripojenie

Sieťové napätie musí zodpovedať napätiu uvedenému na typovom štítku, ktorý sa nachádza vo vnútri odsávača pár. Pokiaľ je odsávač pár vybavený zástrčkou, stačí ju zapojiť do zásuvky zodpovedajúcej aktuálnym normám, ktorá sa aj po inštalácii nachádza v ľahko dostupnom priestore. Pokiaľ odsávač pár nie je vybavený zástrčkou (priame pripojenie k sieti) alebo sa zásuvka ani po inštalácii nenachádza v ľahko dostupnom priestore, je potrebné použiť dvojpolový vypínač zodpovedajúci normám, ktorý zaručí úplné odpojenie zo siete v podmienkach kategórie prepätí III v súlade s pokynmi k inštalácii.

Upozornenie! Pred opätovným pripojením odsávača pár do siete a kontrole jeho fungovania skontrolujte, či je napájací kábel správne zapojený.

Odsávač pár je vybavený špeciálnym napájacím káblom; ak je kábel poškodený, požiadajte technickú službu o nový.

Montáž

Výrobok má nadmernú hmotnosť, preto je nevyhnutné, aby ho prenášali a inštalovali minimálne dve osoby. Pred začatím inštalácie:

- Skontrolujte, či má zakúpený výrobok vhodné rozmery pre zvolený priestor inštalácie.
- Vyberte uhlíkový filter (uhlíkové filtre) (*), ak sú súčasťou balenia (pozri príslušný odstavec). Uhlíkový filter (uhlíkové filtre) je potrebné namontovať späť v prípade, že chcete používať odsávač pár vo filtračnej verzii.
- Skontrolujte (z dôvodov prepravy), či sa vo vnútri odsávača pár nenachádza iné príslušenstvo (napríklad vrecká so skrútkami (*), záručné listy (*) a pod.), prípadne ich vyberte a uschovajte.
- Ak je to možné, odpojte a presuňte voľne stojaci alebo vstavaný sporák z otvoru v skrinke, aby ste mali lepší prístup zadnej stene/stropu. Alebo na pracovnú dosku, varnú platňu, alebo sporák položte ochranný kryt, aby ste ich ochránili pred poškodením a odpadom. Jednotku namontujte na rovný povrch. Povrch prikryte ochranným krytom a položte naň všetky časti odsávača pár a náradie.
- Okrem toho skontrolujte, či sa v blízkosti miesta, kde sa má odsávač pár nainštalovať (miesto, na ktoré je ľahký prístup aj s namontovaným odsávačom pár,) nachádza elektrická zásuvka a či sa dá zariadenie na vypúšťanie spalin pripojiť k exteriéru (platí len pre odťahovú verziu).
- Vykonajte všetky potrebné murárske práce (napr. inštalácia elektrickej zásuvky a/alebo otvoru pre komín).

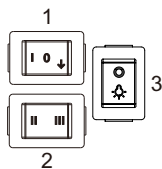
Spotrebič je vybavený príchytkami vhodnými pre väčšinu typov stien/stropov. Napriek tomu vám musí kvalifikovaný technik schváliť spôsobilosť materiálov podľa typu steny/stropu. Stena/strop musí byť dostatočne silná/silný na to, aby udržal/udržala hmotnosť odsávača pár. Tento spotrebič neobkladajte dlaždicami, neomietajte omietkou ani neupevňujte na stenu pomocou silikónu. Spotrebič je určený výhradne na montáž na stenu.

PREVÁDZKA

Ak je vzduch v kuchyni veľmi znečistený, nastavte odsávanie na najvyššiu rýchlosť. Odporúčame zapnúť odsávač pary 5 minút pred začiatkom varenia a nechať ho zapnutý ešte asi 15 minút po ukončení varenia. Nižšie sú opísané tri druhy prevádzky.

TLAČIDLOVÝ SPÍNAČ

Prevádzka odsávača pár, je riadená (tromi) spínačmi, ktoré sú umiestnené na každej strane. Viditeľné sú vtedy, keď je teleskopická predná časť vysunutá. Teleskopický odsávač má integrovaný koncový spínač. Vždy, keď vysuniete teleskopickú prednú časť, odsávač začne pracovať rýchlosťou, ktorá bola predtým nastavená.



- 0 – Vypnutý odsávač.
I – odsávač pracuje rýchlosťou 1.
↓ – prepnete na otáčky motora II alebo otáčky motora III.
- II – rýchlosť odsávania 2 (keď je spínač 1 v polohe ↓) .
III – rýchlosť odsávania 3 (keď je spínač 1 v polohe ↓) .
- O /-⏻- – Svetlo Zapnúť/Vypnúť (ON/OFF).

Tlačidlo označené ako ⏻ sa používa na zapnutie alebo vypnutie svetla (ON/OFF). Osvetlenie odsávača funguje nezávisle od odsávania. Stlačením tlačidla ⏻ sa motor odsávača nespustí.

Keď sa teleskopický predný panel vráti do uzavretej polohy, koncový spínač vypne motor odsávača a aj svetlo.

Ak je motor odsávača a spínač svetla už v polohe ON (zapnuté), oba začnú fungovať ihneď po vytiahnutí predného panelu.

OVLÁDACIE TLAČIDLÁ



- ⏻ – Prevádzka odsávača Zapnúť/Vypnúť (ON/OFF). Keď stlačíte tlačidlo, odsávač začne pracovať rýchlosťou 1.
- ⏻ – Stlačením tlačidla Rýchlosť 2 spustíte motor rýchlosťou 2.
- ⏻ – Stlačením tlačidla Rýchlosť 3 spustíte motor rýchlosťou 3.
- ⏻ – Stlačením tlačidla Osvetlenie, ZAPNETE svetlo. Opätovným stlačením, svetlo VYPNETE.

Dotykové ovládacie prvky



- ⓘ – Stlačením tlačidla Zapnúť / Vypnúť a môžete začať voliť rýchlosti.
- ☞ – Stlačením tlačidla Rýchlosť 1 spustíte motor rýchlosťou 1.
- ☞ – Stlačením tlačidla Rýchlosť 2 spustíte motor rýchlosťou 2.
- ☞ – Stlačením tlačidla Rýchlosť 3 spustíte motor rýchlosťou 3.
- ☼ – Stlačením tlačidla Osvetlenie, ZAPNETE svetlo. Opätovným stlačením, svetlo VYPNETE.

ÚDRŽBA

POZOR! Pred vykonávaním údržby odpojte odsávač pár z elektrickej siete tak, že vypnete prípojku a poistku. Alebo ak je spotrebič zapojený prostredníctvom zástrčky a zásuvky, odpojte zástrčku zo zásuvky.

Čistenie

Odsávač pár by sa mal čistiť pravidelne (aspoň s rovnakou frekvenciou, akou vykonávate údržbu filtra proti masťotám) zvonku aj zvnútra. Čistite ho pomocou utierky navlhčenej do neutrálneho tekutého čistiacieho prostriedku. Nepoužívajte drsné čistiace prostriedky. **NEPOUŽÍVAJTE ALKOHOL!**

UPOZORNENIE: Nedodržiavanie základných odporúčaní týkajúcich sa čistenia odsávača pár a výmeny filtrov môže spôsobiť riziko požiaru. Preto odporúčame tieto pokyny dodržiavať. Výrobca odmieta zodpovednosť za akékoľvek poškodenie motora alebo poškodenie ohňom spojené s nevhodnou údržbou alebo nedodržaním vyššie uvedených bezpečnostných odporúčaní.

Filtre

Kovový filter proti masťotám zachytáva masťotu z varenia. Filter proti masťotám sa musí čistiť jedenkrát za mesiac pomocou neagresívnych čistiacich prostriedkov, ručne alebo v umývačke riadu s nízkou teplotou a s krátkym umývacím cyklom. Umývaním v umývačke riadu môže kovový filter proti masťotám zmeniť farbu, ale jeho filtračné vlastnosti sa tým vôbec nezmenia. Aby ste mohli filtre proti masťotám vybrať, potiahnite za pružinový háčik.

Uhlíkový filter (platí len pre filtračnú verziu) absorbuje nepríjemné pachy z varenia. Po dlhšom používaní sa filter nasýti uhlíkom v závislosti od druhu varenia a pravidelnosti čistenia filtra. V každom prípade je potrebné filter vymeniť minimálne každé štyri mesiace. Uhlíkový filter sa NESMIE umývať ani používať opakovane.

Výmena žiaroviek

Odsávač pár je vybavený systémom žiaroviek s LED technológiou. LED žiarovky zaručujú optimálne svetlo, pričom vydržia až 10-krát dlhšie ako tradičné žiarovky a šetria 90 % elektrickej energie.

UPOZORNENIE!

Pre výmenu, obráťte sa na technický servis.

Typy na šetrenie energie

- 1) Keď začnete variť, zapnite odsávač pár na minimálnu rýchlosť, aby sa regulovala vlhkosť a odstránili sa pachy.
- 2) Zvýšte rýchlosť odsávača pary len vtedy, keď si to vyžaduje množstvo výparov.
- 3) Filter/filtre odsávača pár udržiavajte čisté, aby sa optimalizovalo odstraňovanie pachov a masťoty.

Dosledno upoštevajte navodila iz tega priročnika. Proizvajalec zavrača vso odgovornost za morebitne nevarnosti, škodo ali požare, do katerih bi prišlo zaradi neupoštevanja navodil v tem priročniku. Napa je namenjena odsesavanju dimov in pare, ki nastanejo med kuhanjem, in je namenjena samo domači uporabi oz. uporabi v gospodinjstvu.

Videz nape se lahko razlikuje od risb v tej knjižici. Ne glede na to pa navodila za uporabo, vzdrževanje in namestitve ostanejo nespremenjena.

- ! Shranite ta priročnik, da lahko navodila v njem kadar koli ponovno preberete. Če aparat prodate, podarite ali preselite, poskrbite, da mu bo vedno priložen tudi uporabniški priročnik.
- ! Pozorno preberite navodila, saj vsebujejo bistvene informacije glede namestitve, uporabe in varnosti.
- ! Ne opravljajte električnih ali mehanskih posegov oz. prilagoditev na aparatu ali na odvodnih ceveh oz. vodih.
- ! Pred namestitvijo aparata preverite, če so vse komponente nepoškodovane. Če odkrijete, da je kakšen sestavni del poškodovan, pokličite svojega trgovca in ne namestite aparata.

Opomba: Elementi, označeni s simbolom "(*)", so dodatni pripomočki, ki so priloženi le nekaterim modelom ali pa so na voljo kot dodatna oprema in niso priloženi aparatu.



POZOR!

OPOZORILO! Ne priklopite aparata na električno omrežje, dokler ni namestitve povsem končana.

Pred čiščenjem ali vzdrževanjem kuhinjske nape jo izklopite iz električnega omrežja, tako da izvlečete vtičač iz vtičnice ali izklopite glavno varovalko.

Med vsemi namestitvenimi ali vzdrževalnimi deli vedno nosite zaščitne rokavice.

Aparat ni namenjen uporabi s strani otrok ali oseb z zmanjšanimi fizičnimi, senzoričnimi ali umskimi zmogljivostmi ali oseb s pomanjkanjem izkušenj ali znanja, razen če aparat uporabljajo pod ustreznim nadzorom ali po navodilih oseb, ki so zadolžene za njihovo varnost.

Aparat je namenjen uporabi s strani odraslih. Ne dovolite majhnim otrokom, da bi se igrali z aparatom.

Aparat je namenjen uporabi s strani odraslih. Ne dovolite otrokom, da se igrajo z upravljalnimi elementi aparata ali s samim aparatom.

Nikoli ne uporabljajte nape brez ustrezno nameščene rešetke!

Nape NIKOLI ne uporabljajte kot nosilno ali podporno površino, razen če je to izrecno dovoljeno.

Če v prostoru, v katerem je nameščena kuhinjska napa, uporabljate tudi naprave ali aparate, v katerih izgoreva zemeljski plin ali drugo gorivo, mora imeti tak prostor zadostno prezračevanje.

Sistem za odvajanje hlapov iz tega aparata ne sme biti priključen na obstoječ prezračevalni sistem, ki se že uporablja za kak drug namen, na primer za odvajanje plinov, ki nastanejo pri izgorevanju plina ali drugih goriv.

Flambiranje oz. uporaba odprtega ognja neposredno pod napo je strogo prepovedano.

Uporaba odprtega ognja poškoduje filtre in lahko povzroči tveganje požara, zato se ji v vseh okoliščinah izognite.

Pri cvrtju bodite posebej pozorni, da se olje ne pregreje in vname. Dostopni deli nape se lahko med delovanjem kuhalnega aparata, nameščenega pod napo, močno segrejejo.

Glede tehničnih in varnostnih ukrepov za odvajanje hlapov je pomembno, da dosledno upoštevate predpise, ki jih opredeljujejo lokalno pristojni organi.

Napo je treba redno čistiti tako z notranje kot zunanje strani (VSAJ ENKRAT MESEČNO).


Napo čistite v skladu z navodili za vzdrževanje v tem priročniku. Če ne upoštevate navodil iz tega priročnika glede čiščenja nape in filtrov, lahko nastane tveganje požara.

Ne uporabljajte nape oz. ne puščajte nape brez ustrezno nameščene žarnice, saj sicer nastane tveganje električnega udara.

Proizvajalec zavrača vsako odgovornost za napake, škodo ali požare, ki nastanejo na aparatu zaradi neupoštevanja navodil iz tega priročnika.

Aparat je označen v skladu z Evropsko direktivo 2002/96/ES o Odpadni električni in elektronski opremi. S skrbjo za pravilno odstranitev tega proizvoda boste prispevali k preprečevanju škodljivih posledic za okolje ter zdravje ljudi, ki bi jih sicer lahko povzročilo neustrezno ravnanje s tem proizvodom po koncu njegove življenjske dobe.



Simbol  na proizvodu ali na pripadajoči dokumentaciji označuje, da z aparatom ne smete ravnati kot z gospodinjstvom odpadkom, temveč da ga je treba dostaviti na ustrezno zbirališče za recikliranje električnih in elektronskih naprav. Aparat odložite v skladu z lokalnimi okoljskimi predpisi za odlaganje odpadkov.

Za nadaljnje podrobne informacije glede predelave, zbiranja in recikliranja tega proizvoda se, prosimo, obrnite na pristojni oddelek pri ustreznem lokalnem organu, na lokalno službo za ravnanje z gospodinjstvom odpadki ali na trgovino, v kateri ste kupili ta proizvod.

Aparat je načrtovan, preskušen in izdelan v skladu z naslednjimi standardi oz. predpisi:

- Varnost: EN/IEC 60335-1; EN/IEC 60335-2-31, EN/IEC 62233.
- Učinkovitost delovanja: EN/IEC 61591; ISO 5167-1; ISO 5167-3; ISO 5168; EN/IEC 60704-1; EN/IEC 60704-2-13; ISO 3741; EN 50564; IEC 62301.
- EMC (elektromagnetna združljivost): EN 55014-1; CISPR 14-1; EN 55014-2; CISPR 14-2; EN/IEC 61000-3-2; EN/IEC 61000-3-3.

Priporočila za pravilno uporabo, da bi zmanjšali vpliv na okolje: VKLOPITE napo pri minimalni hitrosti, ko začnete s kuhanjem. Pustite jo delovati še nekaj minut po tem, ko zaključite s kuhanjem. Hitrost oz. stopnjo delovanja povečajte le v primeru večje količine dima in pare, posebej močno delovanje oz. visoke hitrosti pa uporabljajte le v skrajnih primerih. Po potrebi zamenjajte ogljene filtre (oz. ogleni filter), da ohranite dobro učinkovitost odstranjevanja neprijetnih vonjav. Po potrebi očistite filtre za maščobo (oz. maščobni filter), da ohranite dobro učinkovitost le-teh. Uporabite odvodne cevi z največjim premerom, navedenim v tem priročniku, saj bo tako učinkovitost optimalna, hrup pa minimalen.

Dodatne specifikacije glede namestitve:

Pri namestitvi uporabite le vijake za pritrditev, ki so priloženi aparatu. Če vijaki niso priloženi, kupite vijake ustreznega tipa. Uporabite ustrezno dolge vijake, v skladu s podatki v Navodilih za namestitve.

Če ste v dvomu, se posvetujte s pooblaščenim servisierjem, centrom za pomoč uporabnikom ali drugo ustrezno usposobljeno osebo.

OPOZORILO! Če vijakov ali okovja za pritrditev ne namestite v skladu s temi navodili, lahko nastane nevarnost električnega udara.

UPORABA

Napa je izdelana tako, da se lahko uporablja bodisi v odzračevalni bodisi v filtrirni izvedbi.



Odzračevalna izvedba

V tem primeru se dimi odvajajo na prosto preko posebne cevi, priključene s priključno prirobnico, ki se nahaja na zgornjem delu nape.

Pozor! Odvodna cev ni priložena in jo je treba kupiti posebej. Premer odvodne cevi naj bo enak premeru priključne prirobnice.

V vodoravnem odseku mora biti cev rahlo nagnjena navzgor (za približno 10°), da je odvajanje zraka iz prostora na prosto lažje.

Pozor! Če je napa opremljena z oglenimi filtri, je le-te treba odstraniti.

Za povezavo med napo in odprtino v steni za odvajanje hlapov oz. plinov uporabite cev s premerom, ki je enak premeru izhodne odprtine na napi (priključna prirobnica).

Če je premer cevi ali odprtine v steni manjši, bo moč odsesavanja nižja, hrup pa se bo znatno povečal.

Za takšne primere proizvajalec zavrača vsako odgovornost.

- ! Cev za odvod zraka naj bo čim krajša.
- ! Pri napeljevanju cevi za odvod zraka poskrbite, da bo čim manj pregibov. Največji dovoljen kot pregiba znaša 90°.
- ! Izogibajte se večjim spremembam preseka cevi za odvod zraka.
- ! Notranja površina cevi za odvod zraka naj bo čim bolj gladka.
- ! Cev za odvod zraka mora biti izdelana iz materiala z ustreznimi certifikati.



Filtrirna različica

Za to različico potrebujete en ogleni filter, ki ga dobite v trgovini z gospodinjstskimi aparati.

Filter odstranjuje maščobe in vonjave iz odsesanega zraka, nato pa se tako očiščen zrak vrne v prostor skozi izhodne reže na zgornji strani aparata.

NAMESTITEV

Minimalna razdalja med nosilno površino kuhališča ter najnižjim delom nape ne sme biti manjša od 50 cm v primeru električnih kuhališč oz. 65 cm v primeru plinskih ali kombiniranih kuhališč.

Če je v navodilih za namestitev plinskega kuhališča navedena večja razdalja, upoštevajte to.



Priklop na električno omrežje

Električna napeljava mora ustrezati specifikacijam na napisni tablici, ki se nahaja v notranjosti nape. Če je na priključni vrvici nape nameščen vtičak, napo priključite preko vtičnice, ki ustreza veljavnim predpisom in ki je nameščena tako, da je po namestitvi lahko dostopna. Če priključna vrvica ni opremljena z vtičakom (neposreden priklop na električno omrežje) ali če vtičnica po končani namestitvi ni lahko dostopna, je treba namestiti dvopolno stikalo v skladu s standardi, ki zagotavljajo popoln odklop aparata od električnega omrežja v pogojih prenapetostnega razreda III, v skladu z navodili za namestitev.

Opozorilo! Preden napo ponovno priključite na električno omrežje in preverite njeno delovanje, se vedno prepričajte, da je priključna vrvica pravilno nameščena.

Napa je opremljena s posebno priključno vrvico; če je ta poškodovana, zahtevajte novo pri servisni službi.

Tip namestitve

Aparat je zelo težek. Pri ravnanju z napo in njeni namestitvi naj sodelujeta vsaj dve osebi. Pred začetkom namestitve:

- Preverite, če je kupljeni proizvod ustrezne velikosti glede na izbrano področje namestitve.
- Odstranite oglene filtre oz. ogleni filter (*), če so ti priloženi (glejte zadevni odstavek). Oglene filtre (oz. ogleni filter) namestite le, če napo uporabljate v filtrirni izvedbi.
- Preverite, če je morda v notranjosti nape še kakšen material ali drugi predmeti (ki bi tja padli med transportom, npr. zavojčki z vijaki (*), garancijski listi (*) itd.) ter jih po potrebi odstranite.
- Če je možno, odklopite in premaknite prosto stoječi štedilnik oz. štedilnik, ki ga lahko potisnete v nišo med kuhinjskimi elementi, da zagotovite lažji dostop do stene za kuhališčem oz. do stropa. Če to ni možno, položite čez kuhališče ali štedilnik debelo zaščitno prevleko, da ga zaščitite pred poškodbami in tujski. Za sestavo aparata izberite ravno podlago. To podlago prekrijte z zaščitno prevleko, na katero postavite vse dele kuhinjske nape ter dele za njeno pritrditev.
- Poleg tega preverite, če je v bližini mesta, kamor nameravate namestiti napo (na mestu, ki bo dostopno tudi po končani namestitvi nape), na voljo električna vtičnica ter če je možen priklop na napeljavo, ki bo hlape odvajala na prosto.
- Opravite vsa potrebna gradbena dela (npr. namestitev električne vtičnice in/ali odprtine za odvodno cev).

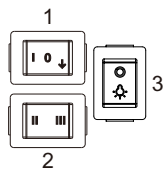
Za pritrditev nape na večino vrst sten ali stropov so priloženi zidni vložki. Ne glede na to pa mora ustrezno usposobljen strokovnjak preveriti primernost materialov glede na vrsto oz. tip stene/stropa. Stena oz. stop morata biti dovolj trdna, da preneseta težo nape. Ne poskušajte pritrditi tega aparata na steno oz. ga vgraditi s ploščicami, fugirno maso oz. ometom ali silikonskim kitom. Aparat je namenjen le površinski montaži.

UPRAVLJANJE

Visoko hitrost vsesavanja uporabite le v primeru visoke koncentracije hlapov med kuhanjem. Priporočamo, da napa vklopite 5 minut pred začetkom kuhanja, da deluje ves čas med kuhanjem ter da jo pustite delovati še približno 15 minut po koncu kuhanja. V nadaljevanju so opisani trije načini delovanja.

KLECNO STIKALO

Delovanje nape upravljate s tremi stikali, ki se nahajajo ob straneh aparata. Vidna so, ko izvlečete izvlečno čelno ploščo del. Izvlečna napa je opremljena z omejevalnim stikalom. Vsakič, ko izvlečete izvlečno čelno ploščo, začne napa delovati z nazadnje nastavljeno močjo.



1. 0 – Izklop nape.
I – Delovanje nape na 1. stopnji moči.
↓ – Preklopite stikalo v ta položaj, da omogočite 2. ali 3. stopnjo moči delovanja.
2. II – Delovanje nape na 2. stopnji moči (ko je stikalo 1 v položaju ↓).
III – Delovanje nape na 3. stopnji moči (ko je stikalo 1 v položaju ↓).
3. O / ☀ – Vklop/izklop osvetlitve

S tipko, označeno s simbolom ☀, vklopite ali izklopite osvetlitev. Osvetlitev na napi deluje neodvisno od motorja nape. S pritiskom na tipko ☀ se vklopi motorja nape. Ko ponovno zaprete izvlečno čelno ploščo, omejevalno stikalo izklopi motor nape ter izklopi osvetlitev. Če sta motor nape in stikalo za osvetlitev že vklopljena, bo motor nape začel delovati in osvetlitev se bo vklopila, ko izvlečete čelno ploščo.

UPRAVLJANJE S TIPKAMI



- ① – Vklop/izklop delovanja nape. Ob pritisku na tipko bo napa začela delovati s 1. hitrostjo (oz. 1. stopnjo moči).
- ☀ – Pritisnite tipko za 2. hitrost, da vklopite delovanje motorja z 2. hitrostjo.
- ☀ – Pritisnite tipko za 3. hitrost, da vklopite delovanje motorja s 3. hitrostjo.
- ☀ – S pritiskom na to tipko vklopite osvetlitev. Za izklop osvetlitve ponovno pritisnite to tipko.

UPRAVLJANJE NA DOTIK



- ① – Pritisnite senzorsko tipko za vklop/izklop, da omogočite izbiro hitrosti delovanja motorja.
- ☀ – Pritisnite tipko za 1. hitrost, da vklopite delovanje motorja s 1. hitrostjo.
- ☀ – Pritisnite tipko za 2. hitrost, da vklopite delovanje motorja z 2. hitrostjo.
- ☀ – Pritisnite tipko za 3. hitrost, da vklopite delovanje motorja s 3. hitrostjo.
- ☀ – Pritisnite to senzorsko tipko, da vklopite luč oz. osvetlitev. Za izklop osvetlitve ponovno pritisnite to tipko.

VZDRŽEVANJE

POZOR! Pred kakršnim koli vzdrževalnim delom ali posegom izklopite napo iz električnega omrežja, tako da jo izklopite pri priključku in odstranite varovalko priključka.

Če je aparat priključen na električno omrežje preko vtičnice, izvlecite vtičač iz vtičnice.

Čiščenje

Napa je treba redno čistiti (vsaj enako pogosto kot čistite maščobni filter), tako z notranje kot z zunanje strani. Čistite s krpo, navlaženo z nevtralnimi čistilnimi sredstvom. Ne uporabljajte grobih oz. abrazivnih čistil. **NE UPORABLJAJTE ALKOHOLA!**

OPOZORILO: Če zanemarite osnovna priporočila glede čiščenja nape in menjave filtrov, lahko nastane tveganje požara. Zato priporočamo, da upoštevate ta navodila. Proizvajalec zavrača vsako odgovornost za poškodbe motorja ali škodo, ki bi nastala zaradi požara, če so take poškodbe ali taka škoda posledica neustreznega vzdrževanja ali neupoštevanja zgoraj navedenih varnostnih priporočil.

Filtri

Kovinski maščobni filter ujame delce maščobe, ki se sproščajo med kuhanjem. Maščobni filter je treba čistiti enkrat mesečno z neagresivnimi detergenti, bodisi ročno bodisi v pomivalnem stroju s kratkim programom pri nizki temperaturi. Če filter pomivate v pomivalnem stroju, se lahko filter razbarva, kar pa ne vpliva na učinkovitost filtriranja. Maščobni filter odstranite tako, da povlečete za vzmetno ročico.

Ogleni filter (le pri filtrirni izvedbi) vsrka neprijetne vonjave, ki nastanejo med kuhanjem. Po daljši uporabi pride do nasičenja filtra – odvisno od načina kuhanja in pogostosti čiščenja maščobnega filtra. V vsakem primeru je kartušo oglenega filtra treba zamenjati vsake štiri mesece. Oglenega filtra NI dovoljeno pomivati ali regenerirati.

Menjava žarnic

Napa je opremljena s sistemom za osvetlitev, ki temelji na tehnologiji LED. Žarnice LED zagotavljajo optimalno osvetljenost, njihova življenjska doba je 10-krat daljša od življenjske dobe običajnih žarnic, hkrati pa omogočajo 90 % prihranka električne energije.

OPOZORILO!

Za zamenjavo žarnic se obrnite na poprodajno službo.

Nasveti za varčevanje z energijo

- 1) Ob začetku kuhanja vklopite napo pri minimalni hitrosti delovanja, da nadzorujete vlago in odvajate vonjave, ki nastanejo med kuhanjem.
- 2) Hitrost delovanja nape povečajte le, ko je to potrebno zaradi količine hlapov.
- 3) Za optimalno učinkovitost odstranjevanja maščobe in vonjav vzdržujte čistočo filtra oz. www.gorenje.com/iltrov.

Ndiqni me kujdes udhëzimet e dhëna në këtë manual. Të gjitha përgjegjësitë, për çdo problem të mundshëm, dëmtim ose zjarr të shkaktuar nga mosrespektimi i udhëzimeve të këtij manuali, refuzohen. Aspiratori është konceptuar për thithjen e tymrave dhe avujve dhe është i destinuar vetëm për përdorim shtëpiak.

Aspiratori mund të duket ndryshe nga ai që është ilustruar në vizatimet e kësaj broshure. Megjithatë, udhëzimet e përdorimit, mirëmbajtjes dhe instalimit, mbeten të njëjta.

- ! Është e rëndësishme të ruani këtë broshurë për konsultime në çdo moment. Në rastin e shitjes, hedhjes ose lëvizjes, sigurohuni që ajo të jetë bashkë me produktin.
- ! Lexojini me kujdes udhëzimet: në to ka informacione thelbësore për instalimin, përdorimin dhe sigurinë.
- ! Mos bëni ndryshime elektrike ose mekanike në produkt ose në kanalet e shkarkimit.
- ! Përpara se të vazhdoni me instalimin e pajisjes, verifikoni që nuk ka asnjë komponent të dëmtuar. Në të kundërt kontaktoni me shitësin tuaj dhe mos vazhdoni me instalimin.

Shënim: Elementët e shënuar me simbolin “(*)” janë aksesori opsionalë të cilët furnizohen vetëm me disa modele ose elemente për t'u blerë, jo për t'u dhënë.



KUJDES

KUJDES! Mos e lidhni pajisjen me rrjetin derisa instalimi të ketë përfunduar plotësisht.

Përpara çdo operacioni të pastrimit ose mirëmbajtjes, shkëputeni aspiratorin nga rrjeti duke hequr spinën ose shkëputeni furnizimit me energji elektrike.

Gjithmonë vendosni doreza pune, për të gjitha operacionet e instalimit dhe mirëmbajtjes.

Pajisja nuk është e synuar për t'u përdorur nga fëmijët ose personat me aftësi të kufizuara fizike, ndijore ose mendore apo nëse nuk kanë përvojë ose njohuri, përveç nëse janë nën mbikëqyrje ose janë trajnuar për përdorimin e pajisjes nga një person përgjegjës për sigurinë e tyre.

Kjo pajisje është projektuar për t'u përdorur nga të rriturit, fëmijët duhet të monitorohen për të siguruar që ata nuk luajnë me pajisjen.

Kjo pajisje është projektuar për t'u operuar nga të rriturit. Fëmijët nuk duhet të lejohen të ngacmojnë kontrollet ose të luajnë me pajisjen.

Asnjëherë mos e përdorni aspiratorin pa montuar në mënyrë efektive rrjetën!

Aspiratori nuk duhet të përdoret KURRË si sipërfaqe mbështetëse, në rast se kjo gjë nuk tregohet në mënyrë specifike.

Ambienti ku është instaluar pajisja elektroshtëpiake duhet të jetë i ajrosur mjaftueshëm, kur aspiratori i kuzhinës përdoret së bashku me pajisje të tjera që djegin gaz ose lëndë të tjera djegëse.

Sistemi i kanalizimit për këtë pajisje nuk duhet të lidhet me asnjë sistem ekzistues të ajrosjes, i cili përdoret për ndonjë qëllim tjetër, si për shkarkimin e tymrave të çliruar nga aparatet që djegin gaz apo lëndë të tjera djegëse.

Ndezja e ushqimeve poshtë aspiratorit është e ndaluar rreptësisht.

Përdorimi i flakëve të ekspozuara është i dëmshëm ndaj filtrave, mund të shkaktojë rrezik zjarri dhe për këtë arsye duhet të shmangët në të gjitha rrethanat.

Çdo tiganisje duhet të bëhet me kujdes, në mënyrë që të siguroheni se vaji nuk do të mbinxehet dhe ndizet. Pjesët e prekshme të aspiratorit mund të nxehen kur përdoret me pajisjen e gatimit.

Për sa i përket masave teknike dhe të sigurisë që duhen miratuar për shkarkimin e tymrave, është e rëndësishme që të zbatohen me përpikmëri rregulloret e bëra nga autoritetet lokale.

Aspiratori duhet të pastrohet rregullisht edhe nga brenda, edhe jashtë (TË PAKTËN NJË HERË NË MUAJ).


Kjo duhet të realizohet në përputhje me udhëzimet e mirëmbajtjes të dhëna në këtë manual. Moszbatimi i udhëzimeve të dhëna në këtë udhëzues përdorimi, në lidhje me pastrimin e aspiratorit dhe filtrave do të çojë në rrezikun e zjarreve.

Mos e përdorni ose mos e lini aspiratorin me llampën të montuar jo në mënyrën e duhur për shkak të rrezikut të mundshëm të goditjeve elektrike.

Ne nuk do të pranojmë asnjë përgjegjësi, për asnjë defekt, dëmtim ose zjarr të shkaktuar në pajisje, si rezultat i mosrespektimit të udhëzimeve të përfshira në këtë manual.

Kjo pajisje është shënuar në përputhje me direktivën Europiane 2002/96/EC për Mbeturinat e Pajisjeve Elektrike dhe Elektronike (WEEE). Duke siguruar që ky produkt të hidhet në mënyrë korrekte, ju do të ndihmoni në parandalimin e pasojave të mundshme negative për mjedisin dhe shëndetin e njeriut, të cilat mund të shkaktohen në të kundërt, nga trajtimi i papërshtatshëm i mbeturinave të këtij produkti.



Simboli  në produkt ose në dokumentet që shoqërojnë produktin, tregon se kjo pajisje nuk mund të trajtohet si mbeturinë shtëpiake. Përkundrazi, ajo duhet të çohet në pikën e duhur të grumbullimit për riciklimin e pajisjeve elektrike dhe elektronike. Asgjësimi duhet të kryhet në përputhje me rregulloret lokale të mjedisit, për asgjësimin e mbeturinave. Për informacione të mëtejshme të detajuara në lidhje me procesin, grumbullimin dhe riciklimin e këtij produkti, ju lutemi të kontaktoni me departamentin e duhur të autoriteteve tuaja lokale, me departamentin lokal për mbeturinat shtëpiake ose me dyqanin ku e keni blerë këtë produkt.

Pajisja është projektuar, testuar dhe prodhuar në përputhje me:

- Sigurinë: EN/IEC 60335-1; EN/IEC 60335-2-31, EN/IEC 62233.
- Performancën: EN/IEC 61591; ISO 5167-1; ISO 5167-3; ISO 5168; EN/IEC 60704-1; EN/IEC 60704-2-13; ISO 3741; EN 50564; IEC 62301.
- EMC: EN 55014-1; CISPR 14-1; EN 55014-2; CISPR 14-2; EN/IEC 61000-3-2; EN/IEC 61000-3-3.

Sugjerime për një përdorim korrekt në mënyrë që të zvogëlohet ndikimi në mjedis: Kur filloni të gatuar, ndizeni aspiratorin (ON) me shpejtësi minimale dhe lereni të punojë për disa minuta pas përfundimit të gatimit. Rriteni shpejtësinë vetëm në rast të sasisë së madhe të tymit dhe avullit dhe shkulmin e shpejtësisë(ve) përdoreni vetëm në situata ekstreme. Zëvendësojeni filtrin(at) e qymyrit kur është e nevojshme për të ruajtur efikasitetin e reduktimit të erërave. Pastrojeni filtrin(at) e yndyrës kur është e nevojshme, për të pasur efikasitet të mirë të filtrit të yndyrës. Përdoreni diametrin maksimal të sistemit të tubacionit të treguar në këtë manual, për të optimizuar efikasitetin dhe për të minimizuar zhurmën.

Specifikime Shtesë të Instalimit:

Për instalim, përdorni vetëm vjdat e fiksimit të furnizuara me produktin ose, në rast se nuk furnizohen, blini llojin e duhur të vidhave. Përdorni vidha me gjatësinë e duhur, të cilat janë identifikuar në Udhëzuesin e Instalimit.

Në rast dyshimi, konsultohuni me një qendër të autorizuar për ndihmë shërbimi ose me një person të kualifikuar në mënyrë të ngjashme.

KUJDES! Mos instalimi i vidhave ose i pajisjes fiksuese në përputhje me këto udhëzime, mund të rezultojë në rreziqe elektrike.

PËRDORIMI

Aspiratori është projektuar që të përdoret ose në versionin e shkarkimit ose për versionin e filtrimit.



Versioni i shkarkimit

Në këtë rast, tymrat përcillen jashtë ndërtesës nëpërmjet një tubi të veçantë, të lidhur me unazën e lidhjes të vendosur sipër aspiratorit.

Kujdes! Tubi i shkarkimit nuk furnizohet dhe duhet të blihet më vete. Diametri i tubit shkarkues duhet të jetë i barabartë me atë të unazës lidhëse.

Në funksionimin horizontal tubi i shkarkimit duhet të jetë pak i pjerrët (rreth 10°) dhe i drejtuar për lart, për të fryrë më lehtësisht ajrin nga dhoma në pjesën e jashtme.

Kujdes! Në rast se aspiratori është i furnizuar me filtër qymyri aktiv, atëherë ai duhet të hiqet.

Lidheni aspiratorin dhe në mure shpuni vrima shkarkimi me një diametër të barabartë me daljen e ajrit (flanxhën lidhëse).

Përdorimi i tubave dhe vrimave të shkarkimit në mure me përmasa më të vogla do të shkaktojë zvogëlim të performancës së thithjes dhe një rritje drastike të zhurmës.

Për këtë arsye, çdo përgjegjësi në këtë drejtim refuzohet.

- ! Përdorni një tubacion me gjatësinë minimale të domosdoshme.
- ! Përdorni një tubacion me sa pak bërryla që të jetë e mundur (kënd maksimal i bërrylit: 90 °)
- ! Shmangini ndryshimet drastike në seksionet kryq të tubacionit.
- ! Përdorni një tubacion sa më të rrafshët nga brenda.
- ! Tubacioni duhet të jetë prodhuar me material të çertifikuar.



Versioni i filtrit

Për këtë gjë është i nevojshëm një filtër qymyri aktiv dhe ai mund të merret nga shitësi juaj i zakonshëm. Filtri heq yndyrën dhe erërat nga ajri i nxjerrë, përpara se ta kthejë atë përsëri në dhomë përmes rrjetit të sipërm të nxjerrjes.

INSTALIMI

Distanca minimale ndërmjet sipërfaqes mbështetëse për pajisjet e gatimit në pjanurë dhe pjesa më e ulët e aspiratorit duhet të jetë jo më pak se 50 cm nga sobat elektrike dhe 65 cm nga sobat me gaz ose të përziera.

Në rast se udhëzimet e instalimit për pllakën e gazit përcaktojnë një distancë më të madhe, ajo duhet të respektohet.



Lidhja elektrike

Furnizimi me energji elektrike duhet të përputhet me vlerësimin e treguar në pllakën e vendosur brenda aspiratorit. Në rast se është i pajisur me spinë, aspiratorin lidhni me një prizë në përputhje me rregulloret aktuale dhe pas instalimit vendoseni në një zonë të arritshme. Në rast se nuk është i pajisur me spinë (lidhje e drejtpërdrejtë me rrjetin elektrik) ose në rast se priza nuk gjendet në një zonë të arritshme, pas instalimit, përdorni një çelës me dy pole në përputhje me standardet, që të sigurojë shkëputjen e plotë të rrjetit elektrik, në kushtet që lidhen me mbingarkesat e kategorisë III, në përputhje me udhëzimet e instalimit.

Kujdes! Përpara se të lidhni përsëri qarkun e aspiratorit me rrjetin elektrik dhe të kontrolloni funksionimin me efikasitet, gjithmonë kontrolloni që kabli elektrik të jetë montuar siç duhet.

Aspiratori është i pajisur me një kabëll të veçantë të energjisë; në rast se kabli është i dëmtuar, kërkoni një të ri nga Shërbimi Teknik.

Montimi

Produkt shumë i rëndë; mbajtja dhe instalimi i aspiratorit duhet të kryhet nga të paktën dy persona. Përpara fillimit të instalimit:

- Kontrolloni që produkti i blerë është i një madhësie të përshtatshme për zonën e zgjedhur për instalim.
- Hiqeni filtrin/at me qymyr (*) nëse janë furnizuar (shikojeni edhe paragrafin përkatës). Ky/këto është/janë për t'u montuar vetëm nëse doni të përdorni aspiratorin në versionin e filtrimit.
- Kontrolloni (për arsye transporti) që brenda aspiratorit nuk ka material tjetër të furnizuar (p.sh. pako me vidha (*), garanci (*), etj), për t'i hequr dhe mbajtur ato.
- Nëse është e mundur, shkëputeni dhe lëvizeni sobën apo pjanurën nga hapësira e dollapit për të siguruar afrim më të lehtë në murin/tavanin e pasmë. Në të kundërt, vendosni një mbulesë mbrojtëse të trashë mbi sipërfaqen e banakut, mbi sipërfaqen e gatimit apo mbi sobë, për ta mbrojtur nga dëmtimet dhe mbeturinat. Për montimin e kësaj pajisjeje, zgjidhni një sipërfaqe të sheshtë. Këtë sipërfaqe mbulojeni me një mbulesë mbrojtëse dhe në të vendosni të gjitha pjesët e kapakut dekorativ të aspiratorit dhe pajisjen elektrike.
- Përveç kësaj, kontrolloni nëse afër zonës së instalimit të aspiratorit (në zonën e arritshme edhe me aspiratorin e montuar) është e disponueshme një prizë elektrike dhe është e mundur të lidhni një pajisje shkarkimi të tymrave në pjesën e jashtme (vetëm versioni me thithje).
- Kryeni të gjitha punimet e nevojshme të muraturës (p.sh. instalimin e një prizë elektrike dhe/ose një vrimë për kalimin e tubit të shkarkimit).

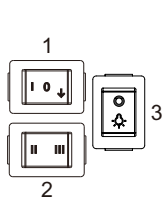
Blokuësit për zgjerimin e murit janë furnizuar për të siguruar aspiratorin në shumicën e llojeve të mureve/tavaneve. Megjithatë, një teknik i kualifikuar duhet të verifikojë përshtatshmërinë e materialeve në përputhje me llojin e murit/tavanit. Muri/tavani duhet të jetë mjaftueshëm i fortë për të mbajtur peshën e aspiratorit. Këtë pajisje elektroshtëpiake, mos e kapni me tulla, me llaç apo me silikon në mur. Montojeni vetëm në sipërfaqe.

OPERIMI

Në rastet e grumbullimit të avujve në kuzhinë, përdorni shpejtësinë e lartë të thithjes. Rekomandohet që aspiratori i kuzhinës të ndizet 5 minuta para gatimit, të lihet në funksionim gjatë gatimit dhe afërsisht 15 minuta pas përfundimit të gatimit. Më poshtë përshkruhen tre lloje funksionimi.

ÇELËSI I FUNKSIONIMIT (ROCKER SWITCH)

Funksionimi i aspiratorit kontrollohet nga (tre) çelësa, të cilët janë të vendosur në secilën anë. Ata janë të dukshëm kur nxirret pjesa e përparme teleskopike. Aspiratori teleskopik është i pajisur me një çelës kufizues (limitator). Sa herë që nxirret pjesa e përparme teleskopike, aspiratori do të fillojë të funksionojë me shpejtësinë e vendosur më parë.



- 0 – Fikja e aspiratorit.
I – aspiratori funksionon në nivelin e shpejtësisë 1.
↓ – kalon për të aktivizuar shpejtësinë II ose shpejtësinë III të motorit
- II – aspiratori funksionon në nivelin e shpejtësisë 2 (kur çelësi kalon 1 drejt pozicionit ↓).
III – aspiratori funksionon në nivelin e shpejtësisë 3 (kur çelësi kalon 1 drejt pozicionit ↓).
- 0 / -0- – Ndezja/fikja e dritës (ON/OFF).

Butoni i etiketuar si -0- përdoret për të ndezur ose fikur dritën. Ndrëimi i aspiratorit funksionon në mënyrë të pavarur nga motori i aspiratorit. Shtypja e butonit -0- nuk e aktivizon motorin e aspiratorit.

Kur paneli i përparmë kthehet në pozicionin e mbyllur, çelësi i fikjes (limitatori) fik motorin e aspiratorit dhe dritën.

Në qoftë se motori i aspiratorit dhe çelësi i dritës janë në pozicionin ON, kur paneli i përparmë të tërhiqet, motori i aspiratorit do të fillojë të funksionojë dhe dritat do të ndizen.

KONTROLLI ME BUTONA



- ① – Funksionimi ON/OFF i aspiratorit. Pasi të shtypni butonin, aspiratori do të fillojë të funksionojë në nivelin e shpejtësisë 1.
- ☞ – Për të funksionuar aspiratori me shpejtësinë 2, shtypni butonin e shpejtësisë 2 (Speed 2).
- ☞ – Për të funksionuar aspiratori me shpejtësinë 3, shtypni butonin e shpejtësisë 3 (Speed 3).
- 0- – Butoni i dritës është për të ndezur dritën (ON). Për të fikur dritën, shtypni përsëri butonin (OFF).

KONTROLLI ME PREKJE



- ① – Shtypeni butonin On/Off për të filluar zgjedhjen e shpejtësive të motorit.
- ☘ – Shtypeni butonin e shpejtësisë 1 (Speed 1) për të filluar motorin me shpejtësinë 1.
- ☘ – Shtypeni butonin e shpejtësisë 2 (Speed 2) për të filluar motorin me shpejtësinë 2.
- ☘ – Shtypeni butonin e shpejtësisë 3 (Speed 3) për të filluar motorin me shpejtësinë 3.
- ⊕ – Për të ndezur dritën, shtypeni butonin e dritës. Për të fikur dritën, shtypeni përsëri.

MIRËMBAJTJA

KUJDES! Përpara se të kryeni çfarëdo operacion mirëmbajtjeje, izoloheni aspiratorin nga furnizimi elektrik duke e fikur lidhësin dhe duke hequr siguresën e lidhësit.

Ose, në rast se pajisja është lidhur nëpërmjet një spine dhe prize, atëherë spina duhet të hiqet nga priza.

Pastrimi

Aspiratori duhet të pastrohet rregullisht (të paktën me të njëjtën shpeshtësi me të cilën kryeni mirëmbajtjen e filtrit të yndyrnave) nga brenda dhe nga jashtë. Pastroni duke përdorur një leckë të lagur me detergjent neutral të lëngshëm. Mos përdorni produkte gërryese. **MOS PËRDORNI ALKOOL!**

KUJDES: Pamundësia për të zbatuar rekomandimet bazë për pastrimin e aspiratorit dhe për zëvendësimin e filtrave mund të shkaktojë rrezik zjarri. Për këtë arsye, ne rekomandojmë zbatimin e këtyre udhëzimeve. Prodhuesi refuzon të gjitha përgjegjësitë për çdo dëmtim të motorit ose çfarëdo dëmtim nga zjarri që lidhet me mirëmbajtjen e papërshtatshme ose me moszbatimin e rekomandimeve të mësipërme për sigurinë.

Filtrat

Pjesët ku mbahet **Filtri metalik për yndyrnat** kap grimcat e yndyrës së gatimit. Filtri i yndyrnave duhet të pastrohet një herë në muaj duke përdorur detergjente jo agresive ose me dorë ose në pjatlarëse, e cila duhet të vendosen në një temperaturë të ulët dhe në një cikël të shkurtër. Kur lahet në pjatlarëse, filtri i yndyrnave mund të humbasë ngjyrën, por kjo nuk ndikon në kapacitetin e tij filtrues. Për të hequr filtrin e yndyrnave, tërhiqeni dorezën e lirimit të sustës.

Filtri me qymyr (vetëm në variantin me filtër) thith erërat e pakëndshme të shkaktuara nga gatimi. Mbushja (ngopja) e filtrit me qymyr ndodh pas përdorimit të zgjatur, në varësi të llojit të gatimit dhe rregullshmërisë së pastrimit të filtrit të yndyrnave. Sidoqoftë, është e nevojshme që të paktën çdo katër muaj të zëvendësohet pjesa e filtirit që mban qymyrin. Filtri i qymyrit NUK mund të lahet ose rigjenerohet.

Zëvendësimi i llampave

Aspiratori është i pajisur me një sistem ndriçimi të bazuar në teknologjinë LED. LED-ët garantojnë një ndriçim optimal, një kohëzgjatje deri në 10 herë më shumë se llampat tradicionale dhe mundësojnë kursimin e deri në 90% të energjisë elektrike.

KUJDES!

Per ndrrimin e aspiratorit kontaktoni assistenzen teknike.

Këshilla për kursimin e energjisë

- 1) Kur të filloni gatimin, ndizeni aspiratorin e kuzhinës në shpejtësinë minimale, për të kontrolluar lagështirën dhe për të hequr erën e gatimit.
- 2) Rriteni nivelin e shpejtësisë së aspiratorit vetëm kur sasia e avullit e bën të nevojshme.
- 3) Mbajeni filtrin(at) e aspiratorit të pastër, për të optimizuar efikasitetin e yndyrnave dhe erërave.

Strogo se pridržavajte uputstava koje donosi ovaj priručnik. Proizvođač otklanja bilo kakvu odgovornost za eventualne nezgode, štete ili požar, do kog bi moglo da dođe zbog nepridržavanja uputstava koje donosi ovaj priručnik. Kuhinjski aspirator projektovan je za odvođenje dima i pare koji nastaju u toku kuvanja, i namenjena je isključivo za domaću upotrebu.

Izgled aspiratora možda će da se razlikuje od crteža u ovom priručniku. Bez obzira na to, uputstva za upotrebu, održavanje i montažu ostaju nepromenjena.

- ! Važno je sačuvati ovaj priručnik kako biste ga mogli konsultovati u svakom momentu. Ukoliko prodate ili poklonite ovaj proizvod, ili se preselite, uverite se da priručnik uvek bude zajedno sa proizvodom.
- ! Pažljivo pročitajte uputstva: u njima se nalaze važne informacije o instalaciji, upotrebi i bezbednosti.
- ! Nemojte raditi nikakve mehaničke ili električne varijacije (izmene), odnosno zahvate na proizvodu ili na odvodnim crevima za izbacivanje pare.
- ! Pre instalacije aparata proverite da li ste primili sve komponente neoštećene. Ako otkrijete da je neki sastavni deo oštećen, pozovite svog prodavca, a aparat nemojte instalirati.

Napomena: Pojednosti koje su označene znakom "(*)" znači da je to pribor koji je priložen samo određenim modelima, ili može da se poruči kao dodatna oprema, koja nije priložena ka aparatu.



PAŽNJA!

Upozorenje! Aparat nemojte spajati na električnu mrežu sve dok niste kompletno završili sa instaliranjem.

Pre bilo kakvog čišćenja ili održavanja, iskopčajte kuhinjski aspirator iz električne mreže vadeći utikač iz utičnice ili isključivši opšti kućni prekidač/šalter, odnosno osigurač.

U toku svih radova na instalaciji i montaži te održavanju aspiratora, uvek nosite zaštitne rukavice.

Aparat nije namenjen za upotrebu licima (uključujući i decu) smanjenih fizičkih, osetljivih ili mentalnih sposobnosti, ili licima s nedostatkom iskustva i znanja, izuzev ako su pod kontrolom lica, zaduženih za njihovu bezbednost, koja će ih poučiti u vezi bezbedne upotrebe aparata.

Aparat je namenjen odraslim osobama. Trebate paziti na malu decu i nemojte im dozvoliti da se igraju aparatom.

Aparat je namenjen odraslim osobama. Nemojte dozvoliti deci da se igraju sa kontrolnim elementima aparata ili sa samim aparatom.

Kuhinjski aspirator nemojte nikada koristiti ako pregrada ili mrežica na njoj nije pravilno montirana!

Ne upotrebljavajte NIKADA aspirator kao podlogu na koju ćete stavljati predmete ukoliko to nije jasno naglašeno.

Prostorija treba da ima obilno provetranje, kada se kuhinjski aspirator koristi istovremeno s drugim aparatima u kojima sagoreva zemni gas ili neko drugo gorivo.

Sistem za odvajanje hlapova iz ovog aparata ne sme da bude sproveden u crevo koje se koristi za izbacivanje dimova koje proizvode ostali aparati koji za svoj rad koriste gas ili neko drugo gorivo.

Strogo se zabranjuje flambiranje, odnosno upotreba otvorenog plamena za pripremanje hrane ispod aspiratora.

Korišćenje nekontrolisanog otvorenog plamena je štetno za filtere te može i da izazove požar, zato bi u svakom slučaju trebalo da se ga izbegava.

Postupak prženja neka uvek bude pod vašom kontrolom kako biste izbegli da se pregrejano ulje zapali.

Određeni delovi mogu znatno da se ugrelu kada se koriste zajedno sa aparatima za kuvanje.

Što se tiče tehničkih mera kojih treba da se pridržavate u vezi odvoda dima i hlapova, strogo se pridržavajte propisa nadležnih lokalnih vlasti.

Kuhinjski aspirator treba često i redovito čistiti i prati, kako spolja tako i iznutra (BAREM JEDNOM MESEČNO).

Aspirator čistite u skladu sa svime što je navedeno u uputstvima za održavanje koje donosi ovaj priručnik. Nepridržavanje propisa o čišćenju aspiratora i zamene i čišćenja filtera povećava opasnost od požara.

Ne upotrebljavajte niti ne ostavljajte kuhinjsku aspirator, a da niste pravilno montirali osvetljenje, jer postoji rizik od električnog udara.

Proizvođač otklanja bilo kakvu odgovornost radi eventualnih nepravilnosti, štete ili požara koje bi mogao izazvati aparat ili koji bi nastali na aparatu, a koje proizlaze iz nepridržavanja uputstava koje donosi ovaj priručnik.

Ovaj aparat je označen u skladu s Evropskom Direktivom 2002/96/EC o otpadnoj električnoj i elektronskoj opremi (Waste Electrical and Electronic Equipment - WEEE). Proverite da li ste proizvod otpremili na otpad i zbrinuli u skladu s lokalnim propisima, čime ćete doprineti ka sprečavanju i otklanjanju eventualnih negativnih posledica za životnu sredinu i za zdravlje ljudi.



Simbol na proizvodu ili na njegovoj ambalaži označava da se taj proizvod ne sme bacati u đubre zajedno sa običnim otpacima iz domaćinstva. Umesto toga proizvod treba predati odgovarajućim sabirnim centrima za reciklažu električnih i elektroničkih aparata. Ispravnim odvoženjem ovog proizvoda sprečićete potencijalne negativne posledice na životnu sredinu i zdravlje ljudi, koji bi inače mogli biti ugroženi neodgovarajućim rukovanjem istrošenog proizvoda. Za detaljnije informacije o tretmanu, odlaganju i ponovnom korišćenju ovog proizvoda, obratite se odgovarajućim općinskim ustanovama, službi za odvoz kućnog otpada, ili prodavnici u kojoj ste kupili ovaj proizvod.

Aparat je dizajniran, ispitan i izrađen u skladu s narednim standardima odnosno propisima:

- Bezbednost: EN/IEC 60335-1; EN/IEC 60335-2-31, EN/IEC 62233.
- Efikasnost delovanja: EN/IEC 61591; ISO 5167-1; ISO 5167-3; ISO 5168; EN/IEC 60704-1; EN/IEC 60704-2-13; ISO 3741; EN 50564; IEC 62301.
- EMC (elektromagnetska kompatibilnost): EN 55014-1; CISPR 14-1; EN 55014-2; CISPR 14-2; EN/IEC 61000-3-2; EN/IEC 61000-3-3.

Preporuke za pravilnu upotrebu da bi smanjili uticaj na okoliš: UPUTITE aspirator u rad na minimalnoj brzini kada započinjete sa kuvanjem. Ostavite ga da radi još nekoliko minuta nakon što ste završili s kuvanjem. Brzinu odnosno stepen rada povećajte samo u slučaju veće količine dima i pare, a izrazito jak stepen rada, odnosno visoku brzinu koristite isključivo u krajnjim slučajevima. Po potrebi zamenite ugljene filtere (odnosno ugljeni filter), kako biste sačuvali dobru efikasnost odstranjivanja neprijatnih mirisa. Po potrebi očistite filtere za masnoću (odnosno filter za masnoću), kako biste sačuvali njihovu efikasnost. Koristite odvodna creva s najvećim prečnikom, navedenim u ovom priručniku, jer će tako efikasnost da bude optimalna, a buka minimalna.

Dodatne specifikacije u vezi instalacije aspiratora:

Za instalaciju aspiratora koristite samo šrafove za pričvršćenje koji su priloženi k aparatu. Ako šrafovi nisu priloženi, treba da kupite šrafove odgovarajućeg tipa. Koristite pravilnu dužinu šrafova, u skladu s podacima u Uputstvima za montažu.

Ako se dvoumite posavetujte se s ovlašćenim servisierom, centrom za pomoć korisnicima, ili sa nekim drugim odgovarajuće osposobljenim licem.

UPOZORENJE! Ako šrafove ili okove za pričvršćenje ne montirate u skladu s ovim uputstvima može nastati opasnost električnog udara.

UPOTREBA

Aspirator je izrađen tako da može da se koristi u odvodnoj ili u filterskoj varijanti.



Odvodna varijanta

U ovom se slučaju para i dim izbacuju napolje uz pomoć posebnog creva za odvod koji se pričvršćuje za spojnu prirubnicu na gornjem delu aspiratora.

Upozorenje! Odvodno crevo nije priloženo sa opremom te treba da se kupi. Prečnik odvodnog creva treba da bude jednak prečniku spojne prirubnice na aspiratoru.

U horizontalnom delu crevo treba lagano da se uspinje prema gore (otprilike 10°) na način da izbacuje vazduh prema spolja što je lakše moguće.

Pažnja! Ako je kuhinjski aspirator opremljen karbonskim filterima, njih treba ukloniti.

Povežite kuhinjski aspirator i otvore u zidu za odvajanje dima odnosno gasova s istim prečnikom otvora za vazduh na aspiratoru (spojna prirubnica).

Korišćenje creva i otvora za izbacivanje na zidu koji imaju manji prečnik smanjuje sposobnost usisavanja te će dovesti do znatnog povećanja buke.

Stoga otklanjamo bilo kakvu odgovornost u vezi s takvim slučajevima.

- ! Koristite odvodno crevo koje treba da bude što kraće.
- ! Kada instalirate odvodno crevo gledajte da ima minimalni mogući broj pregiba. Najveći dozvoljeni ugao savijanja iznosi 90°.
- ! Izbegavajte drastične promene veličine prečnika creva.
- ! Koristite creva koja imaju što je moguće glađu unutrašnjost.
- ! Materijal od kog je izrađeno crevo za odvod vazduha treba da bude odobreno odgovarajućim sertifikatima.



Filterska varijanta

Za to različito potrebujete en ogleni filter, ki ga dobite v trgovini z gospodinjiskimi aparati.

Filter odstranjuje maščobe in vonjave iz odsesanega zraka, nato pa se tako očišćen zrak vrne v prostor skozi izhodne reže na zgornji strani aparata.

Postavljanje

Minimalna udaljenost između nosive podloge za sudove na uređaju za kuvanje i najnižeg dela kuhinjskog aspiratora ne sme da bude niža od 50 cm kada se radi o električnim šporetima, a 65 cm u slučaju kombinovanih šporeta ili šporeta na gas.

Ukoliko uputstva za instalaciju aparata na gas govore da treba uraditi veći razmak, pridržavajte se tih uputstava.



Spajanje na električnu instalaciju

Napon električne mreže treba odgovarati specifikacijama napona koji je naveden na natpisnoj tablici koja se nalazi u unutrašnjosti kuhinjskog aspiratora. Ukoliko je na priključnom kablju utikač, povežite kuhinjski aspirator preko utičnice koja zadovoljava važeće propise na snazi i koja je postavljena na pristupačnom mestu čak i nakon instalacije.

Ako priključni kabl nije opremljen utikačem (direktno povezivanje s mrežom) ili utičnica nije postavljena na pristupačnom mestu nakon instalacije, treba ugraditi dvopolan prekidač koji udovoljava standardima i koji obezbeđuje kompletno iskopčavanje aparata od električne mreže u uslovima kategorije III o previsokom naponu, u skladu s propisima o instalaciji.

Upozorenje! Pre nego što kuhinjski aspirator ponovno priključite na električnu mrežu te proverite pravilno funkcionisanje, uvek proverite i da li je priključni kabl bio pravilno montiran.

Način montaže

Aparat je veoma težak. U postavljanju i rukovanju aspiratorom prilikom njegove instalacije neka učestvuju barem dve osobe.

Pre nego što počnete s instalacijom:

- Proverite da li proizvod koji ste kupili ima dimenzije koje odgovaraju mestu koje ste izabrali za instalaciju.
- Uklonite aktivni karbonski filter ukoliko je priložen (pogledati poglavlje koje se odnosi na to). Ugljene filtere treba montirati samo ako kuhinjski aspirator koristite u filterskoj verziji.
- Proverite da se u unutrašnjosti aspiratora možda ne nalazi kakav materijal ili drugi predmeti (koji bi tamo mogli da upadnu u toku prevoza (na primer kesice sa šrafovim, garantni list, itd.) , te ih po potrebi izvadite i sačuvajte.
- Ukoliko je moguće, iskopčajte i pomerite slobodno stojeći šporet ili nameštaj koji se nalazi ispod ili u blizini zone na koju se postavlja kuhinjski aspirator kako bi se olakšao pristup plafonu ili zidu na koji se postavlja aspirator. Ukoliko to nije moguće, preko površine za kuvanje ili preko šporeta prebacite deblju zaštitnu prevlaku, kako bi zaštitili sve ono što bi moglo da se ošteti prilikom montaže aspiratora. Za sastavljanje aparata izaberite ravnu površinu i pokrijte je zaštitnim pokrivačem, na kog stavite sve delove kuhinjskog aspiratora i materijal za njegovu montažu.
- Uverite se da u blizini zone u kojoj ćete instalirati kuhinjski aspirator (u zoni u kojoj je moguć pristup nakon što ste završili sa montiranjem aspiratora) postoji utičnica za struju i da je moguć spoj na instalaciju za odvajanje dimova napolje (samo za usisnu verziju).
- Obavite sve potrebne zidarske radove (na primer instaliranje električne utičnice i/ili otvora za prolazak odvodnog creva).

Kuhinjski aspirator ima priložene zidne plastične tiple za pričvršćenje koji su primereni za skoro sve zidove ili plafone. Bez obzira na to, kvalifikovani stručnjak treba da utvrdi primerenost materijala obzirom na vrstu zida ili plafona. Zid ili plafon treba da bude dovoljno čvrst kako bi podneo težinu kuhinjskog aspiratora.

Nemojte pokušavati ovaj aparat pričvrstiti na zid odnosno ugraditi pomoću pločica, fugirne mase odnosno žbuke ili sa silikonskim kitom. Aparat je namenjen isključivo površinskoj montaži.

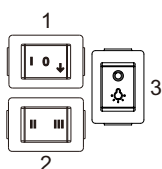
FUNKCIONISANJE APARATA

Visoku brzinu rada koristite samo u slučaju velike koncentracije pare i dima u toku kuvanja. Savetujemo da usisavanje pokrenete 5 minuta pre nego što započnete s kuvanjem i da ostavite aspirator da radi još otprilike 15 minuta nakon što ste završili s kuvanjem. U nastavku su opisana tri načina rada.

PREGIBNI PREKIDAČ

Radom aspiratora upravlja se koristeći tri prekidača koji se nalaze na bočnim stranama aparata. Prekidači su vidljivi kada izvučete teleskopsku čeonu ploču.

Teleskopski aspirator opremljen je graničnim prekidačem. Svaki put kada izvučete teleskopsku čeonu ploču, aspirator se upućuje u rad na poslednjoj podešenoj snazi rada.



- 0 – Aspirator je isključen.
I – Aspirator radi na 1. stepenu snage.
↓ – Prebacivanjem prekidača u taj položaj omogućujete 2. ili 3. stepen snage rada.
- II – Rad aspiratora na 2. stepenu snage (prekidač 1 uvek mora da bude u položaju ↓).
III – Rad aspiratora na 3. stepenu snage (prekidač 1 uvek mora da bude u položaju ↓).
- O / – Uključenje/isključenje osvetljenja

Tasterom označenim simbolom , uključuje se ili isključuje osvetljenje. Osvetljenje aspiratora deluje neovisno o radu motora aspiratora. Pritiskom na taster pokrećete rad motora aspiratora.

Kada ponovno zatvorite teleskopsku čeonu ploču, granični prekidač zaustavlja rad motora aspiratora i isključuje osvetljenje.

Ako su motor aspiratora i prekidač za osvetljenje već uključeni, kada izvučete čeonu ploču pokreće se rad motora, i pali se osvetljenje.

UPRAVLJANJE TASTERIMA



- ① – Uključenje/isključenje rada aspiratora. Pritiskom na taster rad aspiratora se pokreće na 1. brzini (odnosno na prvom stepenu snage).
- Pritiskom na taster za 2. brzinu upućuje se rad motora na 2. brzini.
- Pritiskom na taster za 3. brzinu upućuje se rad motora na 3. brzini.
- Pritiskom tog tastera uključuje se osvetljenje. Za isključenje osvetljenja ponovno pritisnite isti taster.

Upravljanje na dodir



- ① – Pritiskom na senzorski taster za upućivanje u rad/isključenje omogućen je izbor brzine rada motora.
- ☘ – Pritiskom na taster za 1. brzinu motor se pokreće u rad na 1. brzini.
- ☘ – Pritiskom na taster za 2. brzinu motor se pokreće u rad na 2. brzini.
- ☘ – Pritiskom na taster za 3. brzinu motor se pokreće u rad na 3. brzini.
- 💡: – Pritiskom ovog senzorskog tastera upaliće se svetlo, odnosno osvetljenje nape. Za isključenje osvetljenja ponovno pritisnite isti taster.

ODRŽAVANJE

Upozorenje! Pre bilo kakvog postupka čišćenja ili održavanja, iskopčajte kuhinjski aspirator iz napajanja električnom strujom na način da izvadite utikač ili isključite glavni prekidač odnosno osigurač kućne instalacije.

Ako je aparat priključen na električnu mrežu preko utičnice, izvucite utikač iz utičnice.

Čišćenje

Kuhinjski aspirator treba često čistiti (barem isto tako često kao i filtere za uklanjanje masnoće), kako s unutrašnje tako i sa spoljne strane. U tu svrhu koristite ovlaženu krpu s neutralnim deterdžentom. Izbegavajte upotrebu grubih odnosno abrazionih proizvoda za čišćenje. NEMOJTE KORISTITI ALKOHOL!

UPOZORENJE: Ako se ne pridržavate osnovnih preporuka u vezi sa čišćenjem aparata i pravilima o zameni filtera, povećava se rizik od požara. Zato se preporučuje da se pridržavate navedenih uputstava.

Proizvođač otklanja bilo kakvu odgovornost za eventualne štete nastale na motoru, ili štete koje bi nastale zbog požara izazvanog kao posledica neodgovarajućeg održavanja ili nevažavanja gore navedenih bezbednosnih predostrožnosti.

Filteri

Metalni filter za masnoću zadržava čestice masnoće koje se stvaraju prilikom kuvanja.

Taj filter za masnoću treba čistiti jednom mesečno koristeći neagresivne deterdžente, bilo ručno ili u mašini za pranje sudova, u kom slučaju morate izabrati program pranja s kratkim ciklusom i na niskoj temperaturi.

Ako filter perete u mašini za pranje sudova, možda ćete opaziti manju promenu ili gubitak boje, što ni u kom slučaju ne utiče na efikasnost rada filtera.

Da biste skinuli filter za uklanjanje masnoće povucite feder ručicu koja će da se otkaçi.

Ugljeni filter (samo za filtersku izvedbu aspiratora) zadržava neugodne mirise koji se stvaraju prilikom kuvanja.

Nakon duže upotrebe dolazi do zasićenja filtera – ovisno o načinu kuvanja i o učestalosti čišćenja filtera za masnoću. U svakom slučaju kasetu ugljenog filtera treba zameniti na svaka četiri meseca. Ugljeni filter NIJE dozvoljeno prati ili regenerisati.

Zamena sijalice

Aspirator je opremljen sistemom za osvetljenje koji se zasniva na LED tehnologiji. LED sijalice omogućuju optimalnu osvetljenost, njihov životni vek je 10 puta duži od životnog veka uobičajenih sijalica, a istovremeno omogućuju i 90 % uštede električne energije.

Upozorenje!

Što se tiče njihove zamene obratite se tehničkom servisu.

Saveti za štednju energije

- 1) Na početku kuvanja uputite aspirator u rad na minimalnoj brzini rada, kako bi kontrolisali vlagu i odvajali mirise koji nastaju u toku kuvanja.
- 2) Brzinu rada aspiratora povećajte samo kada je to neophodno potrebno zbog količine hlapova.
- 3) Za optimalnu efikasnost uklanjanja masnoće i mirisa održavajte čistoću svih filtera aspiratora.

SV - KÖKSFLÄKT

Följ noga instruktionerna i denna bruksanvisning. Tillverkaren tar inte ansvar för eventuella problem, skador eller brand som orsakas av att instruktionerna i denna bruksanvisning inte följts. Fläkten är konstruerad för utslag av matlagningsos och ånga och är endast avsedd för hushållsbruk.

Köksfläktens faktiska utseende kan avvika från illustrationerna i denna bruksanvisningen. Instruktioner för användning, underhåll och installation är dock identiska.

- ! Det är viktigt att spara denna bruksanvisning för framtida bruk. Vid försäljning, överlämning eller flytt ska bruksanvisningen följa med apparaten.
- ! Läs instruktionerna noga: här finns viktig information om installation, användning och säkerhet
- ! Gör inte elektriska eller mekaniska ändringar på produkten eller utgångsledningarna.
- ! Innan du fortsätter med installationen av apparaten, kontrollera att det inte finns några skadade komponenter. Kontakta detta fall din återförsäljare och avbryt installationen.

Observera: föremål märkta med symbolen "(*)" är tillbehör som endast medföljer vissa modeller eller som måste köpas separat.



FÖRSIKTIGHET

WARNING! Anslut inte apparaten till elnätet innan installationen har slutförts.

Innan rengöring eller underhåll, koppla loss köksfläkten från elnätet genom att dra ut kontakten eller stänga av huvudströmmen.

Använd alltid arbetshandskar vid installation och underhåll.

Denna apparat är inte avsedd att användas av barn eller personer med nedsatt fysisk, sensorisk eller mental förmåga, eller som saknar kunskap och erfarenhet, om de inte övervakas eller har fått särskilda instruktioner om användningen av någon som ansvarar för deras säkerhet.

Denna apparat är avsedd att användas av vuxna, barn ska övervakas för att säkerställa att de inte leker med apparaten.

Denna apparat får endast användas av vuxna. Låt inte barn fingra på reglagen eller leka med apparaten.

Använd aldrig köksfläkten om den inte är korrekt monterad!

Köksfläkten får ALDRIG användas som stödyta om inte annat anges uttryckligen.

Platsen där köksfläkten installeras måste vara tillräckligt ventilerad om köksfläkten används tillsammans med gasförbränningsenheter eller andra bränslen.

Kanalsystemet för denna apparat får inte anslutas till ett befintligt ventilationssystem som används i annat syfte, som att avleda avgaser från apparater som bränner gas eller annat bränsle.

Tillagning i öppen eld under fläkten är strängt förbjudet.

Användning av öppen eld skadar filtren och kan utgöra en brandrisk och måste därför undvikas under alla omständigheter.

Stekning måste göras försiktigt så att oljan inte blir överhettad och antänds. Tillgängliga delar av köksfläkten kan bli varma vid användning av tillagningsutrustning.

Det är viktigt att följa föreskrifterna från lokala myndigheter gällande tekniska och säkerhetsmässiga åtgärder för ångavledning.

Köksfläkten måste regelbundet rengöras både på insidan och utsidan (MINST EN GÅNG I MÅNADEN).


Detta måste utföras i enlighet med underhållsinstruktionerna i denna bruksanvisning. Om instruktionerna i denna bruksanvisning gällande rengöring av kåpa och filter inte följs, kan det innebära brandrisk.

Använd eller lämna inte kåpan utan att lampan är korrekt monterad, detta på grund av risk för elstöt.

Vi påtar oss inget ansvar för fel, skada på apparaten, eller brand som orsakas av att instruktionerna i denna bruksanvisning inte följs.

Denna apparat är märkt enligt EG-direktiv 2002/96/EG om avfall som utgörs av eller innehåller elektriska eller elektroniska produkter (WEEE). Genom att tillse att denna produkt kasseras på rätt sätt hjälper du till att förebygga eventuella negativa konsekvenser för miljön och på människors hälsa, vilket annars skulle kunna orsakas till följd av olämplig kassering av denna produkt.



Symbolen  på produkten eller på medföljande dokument indikerar att denna apparat kanske inte kan sorteras som hushållsavfall. I stället ska den lämnas in på lämplig uppsamlingsplats för återvinning av elektrisk och elektronisk utrustning. Kassering måste ske i överensstämmelse med lokala miljönormer för avfall.

För mer information om behandling, insamling och återvinning av denna produkt, kontakta ansvarig avdelning hos de lokala myndigheterna, den kommunala miljöstationen eller din återförsäljare.

Apparaten är konstruerad, testad och tillverkad enligt:

- Säkerhet: EN/IEC 60335-1; EN/IEC 60335-2-31, EN/IEC 62233.
- Prestanda: EN/IEC 61591; ISO 5167-1; ISO 5167-3; ISO 5168; EN/IEC 60704-1; EN/IEC 60704-2-13; ISO 3741; EN 50564; IEC 62301.
- EMC: EN 55014-1; CISPR 14-1; EN 55014-2; CISPR 14-2; EN/IEC 61000-3-2; EN/IEC 61000-3-3.

Förslag på korrekt användning i syfte att reducera miljöpåverkan: Sätt fläkten på ON vid minimumhastighet när du börjar tillagningen och håll den igång i några minuter efter att tillagningen avslutats. Öka endast hastigheten vid stora mängder os och ånga och använd endast boost-funktionen i extrema situationer. Byt ut kolfiltret/filtren vid behov för att bibehålla en bra luftbortledning. Rengör fettfiltret/filtren vid behov för att bibehålla effektiviteten. Använd maximal diameter för kanalsystemet som indikeras i denna bruksanvisning för att optimera effektiviteten och minimera oljud.

Ytterligare specifikationer för installationen:

Använd endast fixeringsskruvarna som medföljer produkten för installation, eller om dessa inte medföljer, köp skruvar av rätt typ. Använd korrekt längd för skruvarna som anges i installationsanvisningen.

Om du är osäker, kontakta ett auktoriserat servicecenter eller liknande.

WARNING! Om skruvarna eller fästånordningarna inte installeras enligt dessa instruktioner kan det leda till elektriska risker.

ANVÄNDNING

Köksfläkten är utformad för att användas antingen som utsug eller med filter.



Utsugsfläkt

I detta fall leds ångorna ut ur byggnaden genom ett särskilt rör som är anslutet till anslutningsringen ovanpå köksfläkten.

Obs! Avledningsröret medföljer inte och måste köpas separat. Avledningsrörets diameter måste vara identisk med anslutningsringen.

I horisontalläge måste avledningsröret luta något (ca. 10°) uppåt för att luften ska gå lätt från rummet och ut.

Obs! Om köksfläkten levereras med aktivt kolfilter måste det tas bort.

Anslut köksfläkten och avledningshål på väggen med en diameter som är identisk med luftutsläppet (anslutningsflänsen).

Om ledningar och avledningshål har en mindre diameter innebär det sämre utsug och betydligt ökad bullernivå.

Ansvar kan inte övertas i detta fall.

- ! Använd en kanal med minsta längd.
- ! Använd en kanal med så få vinklingar som möjligt (maximal vinkel: 90°)
- ! Undvik drastiska ändringar i kanalens korsningar.
- ! Använd en kanal med så jämn invändig yta som möjligt.
- ! Kanalen måste vara tillverkad i godkänt material.



Filterversion

Ett aktivt kolfilter behövs för detta och kan erhållas från din återförsäljare.

Filtret tar bort fett och lukt från utsugsluften och skickar sedan tillbaka luften in i rummet genom det övre utblåsningsgallret.

INSTALLATION

Minsta avstånd mellan stödytan för matlagingsutrustning på hällen och den lägsta delen av köksfläkten är 50 cm för elektriska hällar och 65 cm för gas- eller kombinerade hällar.

Om instruktionerna för installation av gashällen anger ett större avstånd ska detta följas.



Elektrisk anslutning

Strömförsörjningen måste motsvara den som anges på plattan inuti kåpan. Om en kontakt medföljer, sätt kontakten i ett uttag i enlighet med föreskrifterna och på en tillgänglig plats efter installation. Om en kontakt inte medföljer (direktanslutning) eller om kontakten inte är placerad tillgängligt, anslut dubbelpolig brytare efter installation i enlighet med föreskrifterna. Detta säkerställer fullständig frånkoppling från elnätet vid överbelastning i kategori III, i enlighet med instruktionerna för installation.

Varning! Innan du ansluter köksfläkten till elnätet igen och kontrollerar att den fungerar, se alltid till att kabeln är korrekt monterad.

Köksfläkten är utrustad med en särskild kabel, om denna är skadad, beställ en ny från teknisk service.

Montering

Mycket tung produkt; hantering och installation måste utföras av minst två personer. Innan installationen påbörjas:

- Kontrollera att produkten passar vald installationsplats.
- Ta bort kolfiltret/-filtren (*) om sådana medföljer (se även motsvarande avsnitt). Detta ska endast monteras om du vill använda fläkten som kolfilterfläkt.
- Kontrollera (av transportskäl) att det inte finns något annat medföljande material i köksfläkten (t.ex. påsar med skruvar (*), garantipapper (*), osv.), ta i detta fall bort dem och spara på lämplig plats.
- Om möjligt, koppla ifrån och flytta fristående eller inbyggt skåp för lättare åtkomst till bakomliggande vägg/innertak. I annat fall, lägg ett tjockt skydd över köksbänken eller spisen för att skydda dem mot skador och lösa föremål. Välj en plan yta för montering av enheten. Täck ytan med ett skydd och placera alla delar av fläkten på den.
- Kontrollera dessutom om ett elektriskt uttag finns tillgängligt i närheten av fläkten (även tillgänglig efter att fläkten har installerats) och att det är möjligt att ansluta ett utsug till utsidan (gäller endast utsugsfläkt).
- Utför allt förberedande arbete (t.ex. installation av ett elektriskt uttag och/eller ett hål för placering av kanalen).

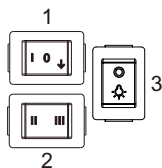
Expansionspluggar medföljer för montering av köksfläkten på de flesta typer av väggar/tak. En kvalificerad tekniker måste dock godkänna materialens kompatibilitet med väggen/taket. Väggen/taket måste tåla vikten från köksfläkten. Denna apparat får inte kaklas eller fästas med murbruk eller silikon till väggen. Endast ytmontering.

ANVÄNDNING

Använd hög utsugseffekt vid koncentrerade köksångor. Du rekommenderas att sätta igång fläkten 5 minuter innan matlagningen påbörjas och låta den vara på i ytterligare ca. 15 minuter efter att matlagningen avslutats. Nedan beskrivs tre typer av användning.

BRYTARE

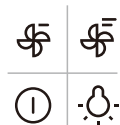
Fläkten kontrolleras med tre brytare som sitter på var sida. De syns när fronten dragits ut. Den utdragbara kåpan är utrustad med en gränsbrytare. Varje gång du drar ut fronten startar fläkten med föregående inställning.



1. 0 – Stäng av fläkten.
I – Fläkten är igång på nivå 1.
↓ – Växla till motorhastighet II eller motorhastighet III.
2. II – Fläkten är igång på nivå 2 (när brytare 1 är i position ↓).
III – Fläkten är igång på nivå 3 (när brytare 1 är i position ↓).
3. O / -⏻- – Belysning PÅ/AV.

Knappen som är märkt -⏻- används för att slå PÅ eller AV belysningen. Belysningen i kåpan fungerar oberoende av fläktmotorn. Om du trycker på -⏻- startas inte fläktmotorn. När frontpanelen skjuts tillbaka till stängd position stänger brytaren av fläktmotorn och även belysningen. Om fläktmotorn och ljusbrytaren redan står i läge PÅ kommer fläktmotorn att starta och belysningen tänds när fronten dras ut.

KNAPPKONTROLL



- ① – Fläkt PÅ/AV. Om du trycker på knappen startar fläkten på nivå 1.
- ⏻ – Tryck på knappen för hastighet 2 för att starta motorn i hastighet 2.
- ⏻ – Tryck på knappen för hastighet 3 för att starta motorn i hastighet 3.
- ⏻- – Ljusknapp för att ställa belysningen till PÅ. Tryck igen för att ställa lampan till OFF.

TOUCHKONTROLL



- ① – Tryck på på/av-knappen för att börja välja motorhastighet.
- ☞ – Tryck på knappen för hastighet 1 för att starta motorn i hastighet 1.
- ☞ – Tryck på knappen för hastighet 2 för att starta motorn i hastighet 2.
- ☞ – Tryck på knappen för hastighet 3 för att starta motorn i hastighet 3.
- 💡 – Tryck på lampknappen för att ställa lampan till PÅ. Tryck igen för att ställa lampan till OFF.

UNDERHÅLL

OBS: Innan du utför något underhållsarbete, koppla loss köksfläkten från Strömförsörjningen genom att stänga av och ta bort kontaktens säkring.

Eller om apparaten har anslutits genom kontakt och uttag, dra ut kontakten från uttaget.

Rengöring

Köksfläkten ska rengöras regelbundet (minst med samma intervall som du utför underhåll på fettfiltret), inuti och utanpå. Använd en trasa som fuktats med ett neutralt rengöringsmedel. Använd inte slipande produkter. ANVÄND INTE ALKOHOL!

WARNING: Om de grundläggande rekommendationerna för köksfläkten samt byte av filter inte följs kan det innebära brandrisk. Vi rekommenderar därför att du följer dessa instruktioner. Tillverkaren fransäger sig allt ansvar för skador på motorn eller brandskador till följd av olämpligt underhåll eller till följd av att säkerhetsrekommendationerna ovan inte har följts.

Filter

Fettfilter i metall samlar upp fettpartiklar från matlagningen. Fettfiltret måste rengöras en gång i månaden med milda rengöringsmedel, antingen för hand eller i diskmaskinen, vilken ska vara inställd på låg temperatur och kort program. Om det diskas i diskmaskin kan fettfiltret bli lätt miss färgat, men det påverkar inte filtreringseffekten. För att ta ut fettfiltret, dra i fjäderhandtaget.

Kolfilter (gäller endast filterversion) absorberar os under matlagning. Efter en längre användningsperiod uppstår en mättnad i kolfiltret, beroende på vilken typ av tillagning och regelbundenheten hos rengöringen av fettfiltret. Partronen ska alltid bytas ut minst var fjärde månad. Kolfiltret får INTE rengöras eller regenereras.

Byta ut lamporna

Fläkten har LED-belysning. LED-lamporna garanterar optimal belysning, en varaktighet på upp till 10 gånger mer än vanliga lampor och sparar upp till 90 % energi.

WARNING!

Kontakta det tekniska servicekontoret för byte av lysdioderna.

Tips för energibesparing

- 1) När du börjar tillagningen, slå på köksfläkten på minimumhastighet för att kontrollera fukt och ta bort matos
- 2) Öka fläktens hastighet endast då mängden ånga gör det nödvändigt
- 3) Håll fläktfilterna rena för att optimera effektiviteten.

Чітко дотримуйтеся вказівок, наведених у цьому посібнику. Ми знімаємо з себе відповідальність за можливі незручності, ошкодження або пожежі, спричинені недотриманням інструкцій, наведених у цьому посібнику. Витяжка призначена для втягування випарів, що утворюються під час приготування їжі, лише в домашніх умовах.

Справжня витяжка може виглядати не так, як зображена на ілюстраціях у цій брошурі. Незважаючи на це інструкції з її використання, обслуговування та встановлення не змінюються.

- ! Цю брошуру потрібно зберегти, щоб до неї можна було звернутися в разі потреби. У разі продажу або передавання витяжки іншому власникові чи переїзду з місця її експлуатації потрібно лишити брошуру з приладом.
- ! Уважно прочитайте інструкцію, адже вона містить важливі відомості про встановлення та використання приладу, а також правила техніки безпеки.
- ! Не модифікуйте прилад, його електричні компоненти й вивідні канали.
- ! Перш ніж встановлювати прилад, переконайтеся, що всі його компоненти цілі. Якщо це не так, зверніться до продавця й не встановлюйте прилад.

Примітка. Компоненти, марковані позначкою «(*)», є додатковими аксесуарами, які постачаються тільки в комплекті з окремими моделями, або не постачаються взагалі, і їх потрібно придбати окремо.



УВАГА!

ПОПЕРЕДЖЕННЯ. Не підключайте прилад до електричної мережі до завершення встановлення.

Перед кожним очищенням і технічним обслуговуванням витяжки потрібно від'єднати її з електромережі, витягнувши штепсель із розетки або вимкнувши джерело живлення електромережі.

Під час чищення й технічного обслуговування слід завжди вдягати захисні рукавиці.

Цей прилад не призначений для використання дітьми або особами з обмеженими фізичними, тактильними або розумовими здібностями чи без належного досвіду та знань, окрім випадків, коли вони перебувають під наглядом або отримали інструкції щодо використання приладу від осіб, відповідальних за їхню безпеку.

Прилад призначений для використання дорослими. Потрібно стежити, щоб ним не гралися діти.

Прилад призначений для використання дорослими. Не можна дозволити дітям користуватись елементами керування й гратися з приладом.

Заборонено використовувати витяжку, якщо решітку не встановлено належним чином.

ЗАБОРОНЕНО використовувати витяжку як опорну поверхню, якщо про це окремо не сказано.

Якщо витяжка використовуватиметься в одному приміщенні з приладами, під час роботи яких згорає газ або використовуються інші види палива, потрібно забезпечити належну вентиляцію.

Повітря, що втягується, не має бути направлено у витяжний канал, який використовується з іншою метою, наприклад, для виведення диму від роботи приладів на газі або іншому паливі.

Категорично **ЗАБОРОНЕНО** використовувати для приготування страв безпосередньо під витяжкою відкритий вогонь.

Відкритий вогонь може пошкодити фільтри й спричинити пожежу, тож ним не слід користуватися за будь-яких умов.

Слід стежити за олією під час смаження, щоб вона не перегрілася й не спалахнула. Відкриті для доступу деталі витяжки можуть нагріватися під час використання.

Під час виведення випарів і диму потрібно чітко дотримуватися технічних норм і стандартів безпеки, встановлених місцевими органами влади.

Витяжку потрібно регулярно очищувати всередині та ззовні (ПРИНАЙМНІ РАЗ НА МІСЯЦЬ).


Робити це слід відповідно до вказівок з обслуговування, наведених у цьому посібнику. Недотримання вказівок з очищення витяжки й фільтрів може призвести до пожежі.

Не користуйтеся витяжкою без встановленої належним чином лампи й не лишайте витяжку без неї, оскільки це може призвести до ураження електричним струмом.

Ми не несемо відповідальності за будь-які несправності, пошкодження приладу або пожежі, спричинені недотриманням інструкцій, наведених у цьому посібнику.

Цей пристрій позначено відповідно до Директиви ЄС 2002/96/ЄС щодо відходів електричного та електронного обладнання (WEEE). Забезпечивши належну утилізацію цього виробу, ви допоможете уникнути потенційно негативних наслідків для навколишнього середовища та здоров'я людей.



Позначка  на самому приладі або супровідних документах означає, що прилад не можна утилізувати як побутові відходи. Натомість його слід передати у відповідний центр збору для утилізації відходів електричного та електронного обладнання. Прилад слід утилізувати згідно з місцевими природоохоронними правилами, що стосуються утилізації відходів.

Щоб отримати докладнішу інформацію про правила поводження з такими приладами, їх утилізацію і переробку, зверніться до відповідних органів місцевої влади, служби утилізації відходів або магазину, у якому придбали прилад.

Прилад сконструйовано, перевірено й виготовлено відповідно до наведених далі стандартів.

- Безпека: EN/IEC 60335-1; EN/IEC 60335-2-31, EN/IEC 62233.
- Продуктивність: EN/IEC 61591; ISO 5167-1; ISO 5167-3; ISO 5168; EN/IEC 60704-1; EN/IEC 60704-2-13; ISO 3741; EN 50564; IEC 62301.
- Електромагнітна сумісність: EN 55014-1; CISPR 14-1; EN 55014-2; CISPR 14-2; EN/IEC 61000-3-2; EN/IEC 61000-3-3.

Рекомендації з належного використання для зменшення впливу на навколишнє середовище. На початку приготування слід вмикати мінімальну потужність роботи витяжки. Після завершення приготування слід на кілька хвилин лишати її ввімкнутою. Підвищуйте потужність, тільки якщо збільшується кількість диму й випарів. Використовуйте максимальну потужність тільки в крайньому разі. У разі потреби замінійте вугільні фільтри, щоб витяжка ефективно усувала запахи. У разі потреби очищуйте жирові фільтри, щоб вони ефективно вловлювали жир. Щоб витяжка працювала якомога ефективніше й тихіше, використовуйте максимальний діаметр повітропроводу, зазначений у цьому посібнику.

Додаткові технічні характеристики із встановлення

Якщо в комплект поставки приладу входять гвинти для фіксування, використовуйте їх. Якщо ні, придбайте гвинти правильного типу. Використовуйте гвинти правильної довжини, яка зазначена в посібнику зі встановлення.

У разі виникнення сумнівів зверніться до авторизованого центру технічної підтримки або фахівця.

ПОПЕРЕДЖЕННЯ. Якщо не закріпити витяжку гвинтами або іншим видом кріплення згідно з вказаними інструкціями, це може призвести до ураження електричним струмом.

ВИКОРИСТАННЯ

Витяжку можна використовувати в режимі виведення або рециркуляції.



Режим виведення

У цьому режимі випари виводяться з приміщення за допомогою спеціальної труби, приєднаної до кільця у верхній частині витяжки.

Увага! Вивідна труба не постачається в комплекті. Її потрібно придбати окремо. Діаметри вивідної труби та з'єднувального кільця мають збігатися.

У горизонтальній частині вивідна труба має бути трохи піднятою (під кутом приблизно 10°), щоб повітря легко виводилося назовні

Увага! Якщо витяжка постачається з вугільним фільтром, його слід зняти.

Прикріпіть витяжку до настінних вивідних отворів, діаметр яких відповідає отвору для випускання повітря (з'єднувальний фланець).

Використання вивідних труб і настінних отворів меншого діаметру погіршить ефективність втягування та значно збільшить рівень шуму.

Тому ми знімаємо з себе відповідальність за такі наслідки.

- ! Використовуйте витяжний канал мінімальної необхідної довжини.
- ! Використовуйте витяжний канал із якомога меншою кількістю поворотів (максимальний кут повороту: 90°).
- ! Уникайте значних змін площі поперечного перерізу витяжного каналу.
- ! Використовуйте канал із максимально гладенькою внутрішньою поверхнею.
- ! Витяжний канал повинен бути виготовлений із сертифікованого матеріалу.



Режим рециркуляції

Для використання витяжки в цьому режимі потрібно встановити в неї один фільтр з активованим вугіллям, який можна придбати в будь-якого продавця.

Фільтр вбирає жир і запахи з витягнутого повітря, перш ніж воно повернеться назад до кімнати через верхню впускну решітку.

ВСТАНОВЛЕННЯ

Відстань від нижньої частини витяжки до посуду на кухонній плиті має бути принаймні 50 см для електричних плит і 65 см для газових і комбінованих плит.

Якщо в інструкції із встановлення газової плити зазначена довша відстань, потрібно дотримуватися її.



Підключення до електромережі

Напруга в електромережі має відповідати характеристикам, зазначеним на паспортній табличці всередині витяжки. Якщо в комплект входить вилка підключення до електромережі, то слід увімкнути витяжку в розетку, що відповідає поточним нормам і перебуває в зручному для подальшого використання місці. Якщо ж вилка не входить у комплект (безпосереднє підключення до електромережі) або поблизу немає розетки, то слід вмонтувати відповідний двополюсний перемикач, за допомогою якого можна буде повністю вимкнути прилад із мережі в разі перенапруги III категорії, відповідно до інструкції з встановлення.

Попередження. Перш ніж знову підключати витяжку до електромережі й перевіряти правильність її роботи, переконайтеся, що кабель живлення встановлений правильно.

Витяжка постачається в комплекті зі спеціальним кабелем живлення. Якщо він пошкодився, попросіть новий у службі технічної підтримки.

Монтаж

Прилад дуже важкий, тому переміщати й встановлювати його мають принаймні дві людини. Перед встановленням.

- Перевірте, чи відповідають розміри придбаного приладу вибраному місцю для встановлення.
- Вийміть вугільні фільтри (*), якщо вони постачаються в комплекті (див. відповідний розділ). Їх потрібно встановлювати, тільки якщо витяжка використовуватиметься в режимі рециркуляції.
- Перевірте, чи всередині витяжки не залишилося предметів, поміщених туди під час транспортування (наприклад, пакети із гвинтами (*), гарантійних листів (*) тощо). Якщо вони там будуть, вийміть їх і збережіть.
- За можливості від'єднайте та відсуньте окрему або висувну витяжку від отвору кухонної шафи, щоб забезпечити вільний доступ до стелі або задньої стіни. Якщо це неможливо, вкрийте стільницю, варильну поверхню й витяжку товстим матеріалом для захисту від пошкоджень і сміття. Виберіть плоску поверхню, щоб прикріпити до неї прилад. Накрийте її захисним покриттям і розмістіть на ній витяжку та деталі для кріплення.
- Перевірте також, чи є поруч із зоною встановлення витяжки розетка, яка буде доступна й після встановлення, і отвір для вивідної системи, яка витягуватиме випари на вулицю (тільки в режимі втягування).
- Виконайте всі потрібні роботи (наприклад, встановіть розетку й зробіть отвір для виведення труби для випарів).

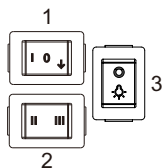
У комплект поставки входять компенсаційні заглушки, які підходять для закріплення витяжки на більшості типів стін і стель. Однак фахівець повинен перевірити, чи можна їх використовувати на конкретних стінах і стелях. Стіна або стеля, до якої кріпитиметься витяжка, має витримувати її вагу. Не прикріплюйте прилад до стіни за допомогою цементного розчину або силіконового герметика, а також безпосередньо на плитку. Тільки для закріплення на поверхні.

ЕКСПЛУАТАЦІЯ

Використовуйте високу потужність втягування, тільки якщо на кухні багато випарів. Рекомендовано вмикати витяжку за 5 хвилин до початку приготування їжі, а також лишати її ввімкнутою під час усього процесу та ще протягом приблизно 15 хвилин після його завершення. Знизу описані три типи експлуатації.

КЛАВІШНІ ПЕРЕМИКАЧІ

Роботою витяжки можна керувати за допомогою (трьох) перемикачів, розташованих із кожного боку. Їх видно, коли висунуто передню телескопічну панель приладу. Телескопічну витяжку оснащено кінцевим вимикачем. Після кожного висунування передньої телескопічної панелі витяжка починає працювати з попередньо встановленою потужністю.



1. 0 – вимкнення витяжки.
I – робота витяжки з рівнем швидкості 1.
↓ – переключення двигуна на швидкість II або III.
2. II – робота витяжки з рівнем швидкості 2 (коли перемикач 1 встановлено в положення ↓).
III – робота витяжки з рівнем швидкості 3 (коли перемикач 1 встановлено в положення ↓).
3. O / – увімкнення та вимкнення освітлення.

Кнопка з позначкою використовується для ввімкнення та вимкнення освітлення. Освітлення витяжки не залежить від роботи її двигуна. Натискання кнопки не запускає двигун витяжки. Коли передня панель повертається в закрите положення, кінцевий вимикач вимикає двигун витяжки та освітлення. Якщо двигун витяжки та вимикач освітлення вже ввімкнуті, двигун почне роботу, а освітлення ввімкнеться в разі висунення передньої панелі.

КНОПКОВЕ КЕРУВАННЯ



- ① – початок і припинення роботи витяжки. Після натискання кнопки витяжка почне роботу з рівнем швидкості 1.
- натисніть кнопку швидкості 2, щоб двигун працював зі швидкістю 2.
- натисніть кнопку швидкості 3, щоб двигун працював зі швидкістю 3.
- кнопка ввімкнення освітлення. Повторне натискання вимикає освітлення.

СЕНСОРНЕ КЕРУВАННЯ



- ① – натисніть кнопку ввімкнення та вимкнення, щоб мати можливість вибрати швидкість двигуна.
- ☞ – натисніть кнопку швидкості 1, щоб двигун працював зі швидкістю 1.
- ☞ – натисніть кнопку швидкості 2, щоб двигун працював зі швидкістю 2.
- ☞ – натисніть кнопку швидкості 3, щоб двигун працював зі швидкістю 3.
- 💡 – щоб увімкнути освітлення, натисніть кнопку освітлення. Повторне натискання вимикає освітлення.

ОБСЛУГОВУВАННЯ

УВАГА! Перед виконанням робіт із технічного обслуговування вимикайте витяжку від електричного живлення, переводячи перемикач у положення вимкнення та витягаючи запобіжник.

Якщо ж прилад підключено до електромережі за допомогою вилки й розетки, роз'єднайте їх.

Чищення

Витяжку слід регулярно очищати всередині та ззовні (принаймні з кожним очищенням жирового фільтра). Для цього потрібно використовувати вологу тканину з нейтральним рідким мийним засобом. Не використовуйте абразивні матеріали. **НЕ ВИКОРИСТОВУЙТЕ СПИРТ!**

ПОПЕРЕДЖЕННЯ. Недотримання базових рекомендацій з очищення витяжки й заміни фільтрів може призвести до пожежі. Тому їх рекомендовано дотримуватися. Виробник відмовляється від будь-якої відповідальності за пошкодження електродвигуна або пошкодження вогнем через неналежне технічне обслуговування чи недотримання наведених вище рекомендацій із техніки безпеки.

Фільтри

Металевий жировий фільтр вловлює жирні частки їжі. Жировий фільтр слід очищувати раз на місяць за допомогою неагресивних мийних засобів вручну або в посудомийній машині на найнижчій температурі й короткому циклі. Після очищення в посудомийній машині жировий фільтр може втратити колір, але це не впливає на його фільтрувальні здатності. Щоб зняти жировий фільтр, потягніть пружинну ручку вивільнення фільтра.

Вугільний фільтр (тільки для версій із рециркуляцією) поглинає неприємні запахи від приготування їжі й регулярності чищення жирового фільтра. У будь-якому разі його слід замінювати принаймні раз на чотири місяці. Вугільний фільтр НЕ можна мити й використовувати повторно.

Заміна ламп

Витяжку оснащено світлодіодною системою освітлення. Світлодіодні лампи забезпечують оптимальний рівень освітлення, дають змогу заощадити 90 % електроенергії й слугують до 10 разів довше, ніж звичайні лампи.

ПОПЕРЕДЖЕННЯ!

Щодо їх заміни звертайтеся до служби технічного обслуговування.

Поради з енергозбереження

- 1) На початку приготування їжі ввімкніть мінімальну потужність витяжки, щоб контролювати вологу та втягувати запахи.
- 2) Підвищуйте потужність роботи витяжки, тільки якщо збільшується кількість випарів.
- 3) Стежте, щоб фільтри витяжки були чистими. Так жир і запахи втягуватимуться ефективніше.

