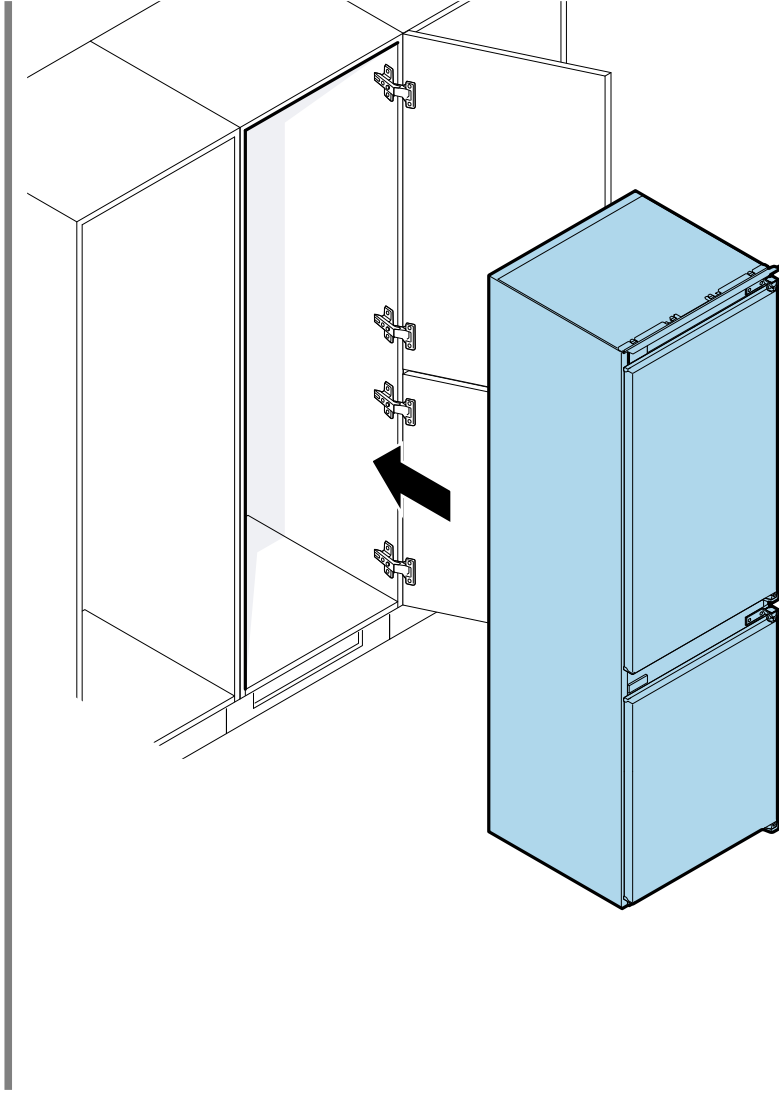


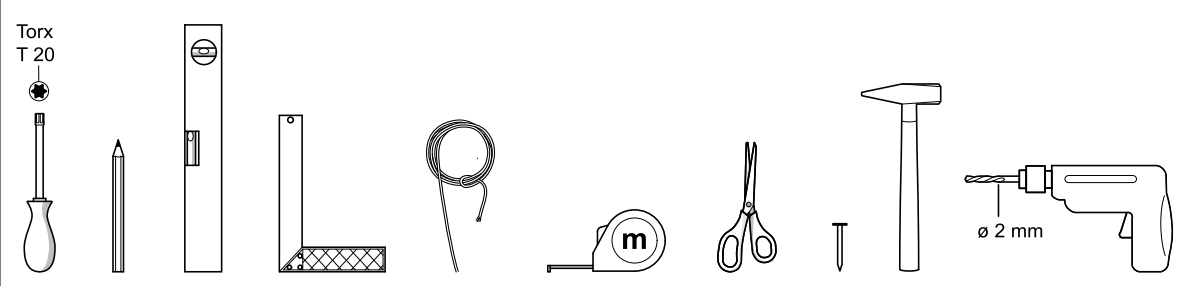
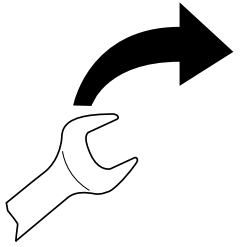
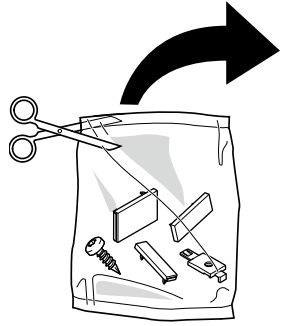
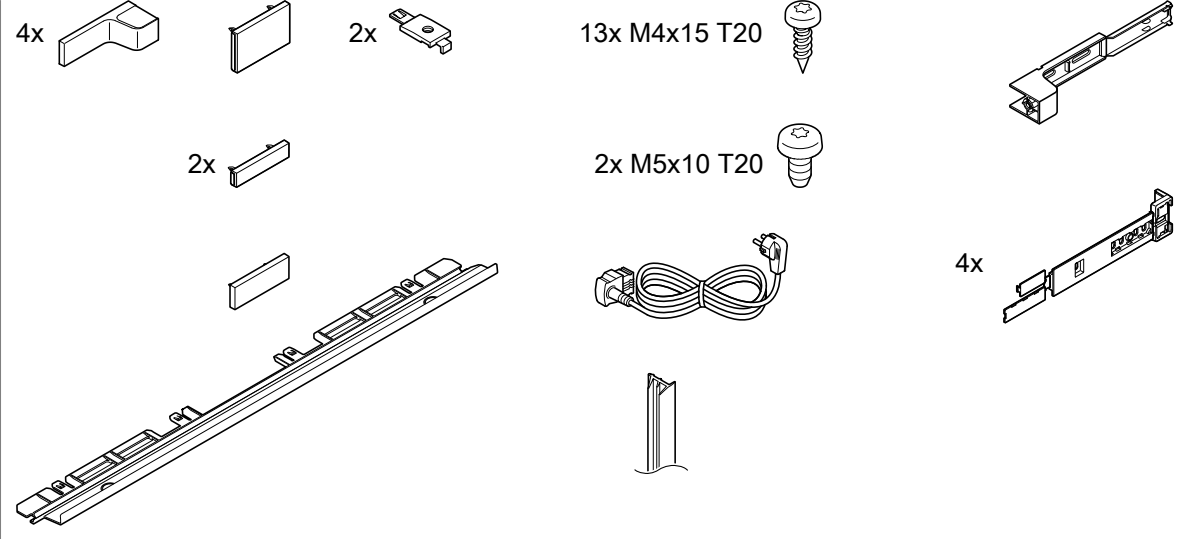


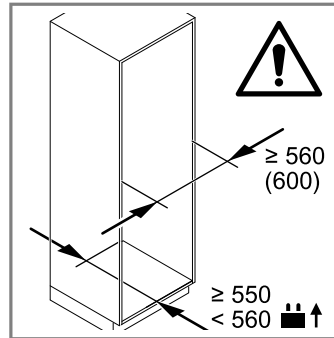
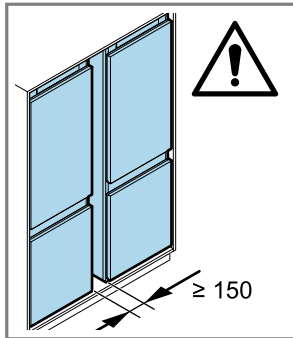
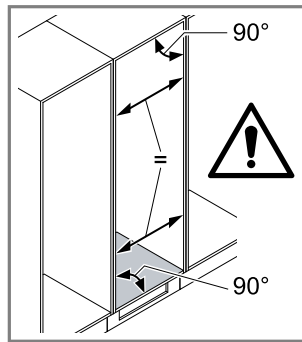
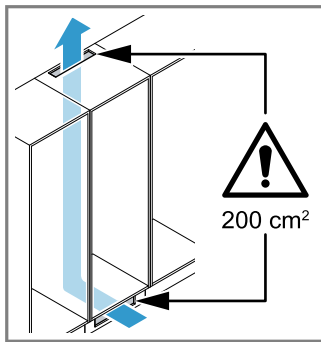
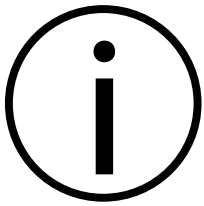
9001590996 (000929)

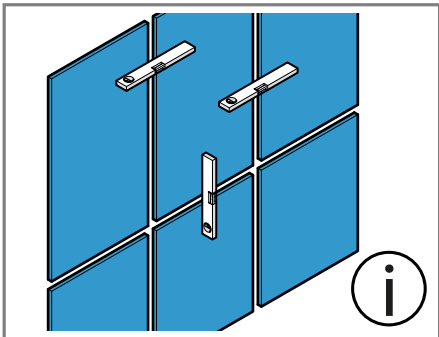
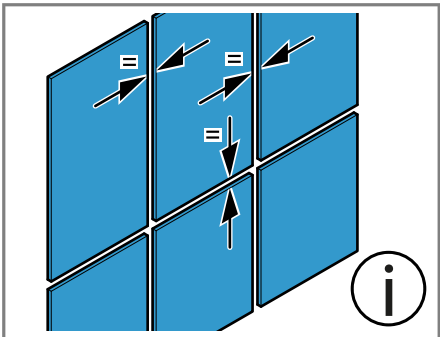
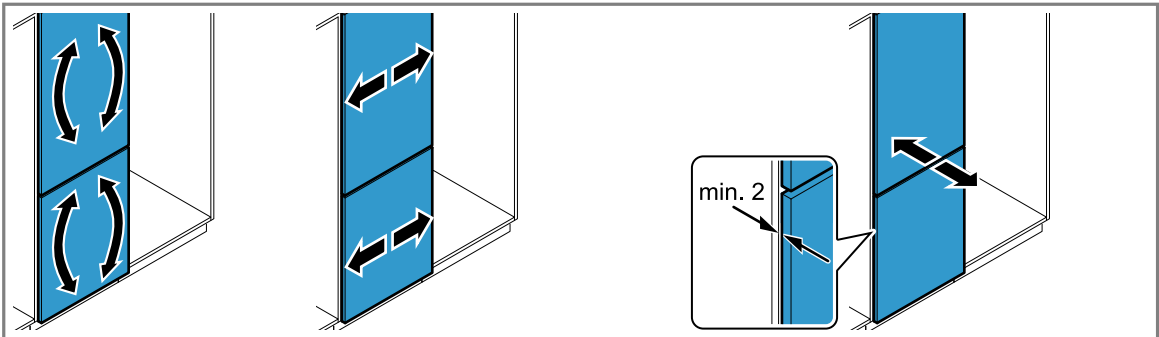
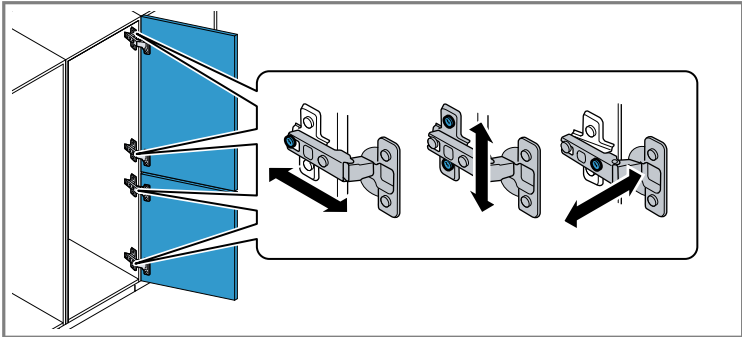


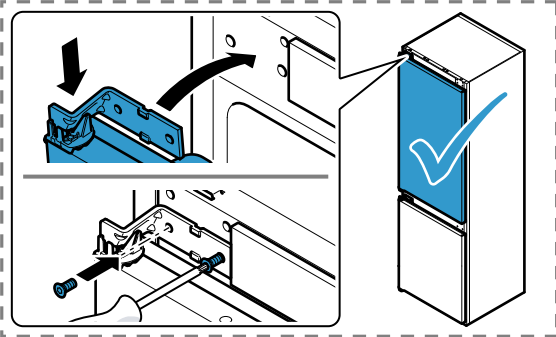
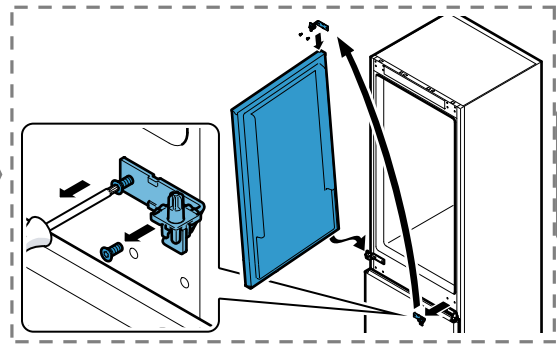
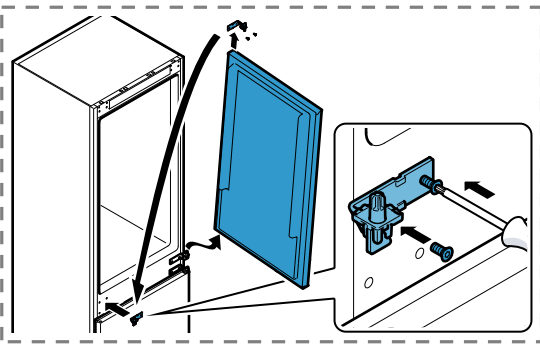
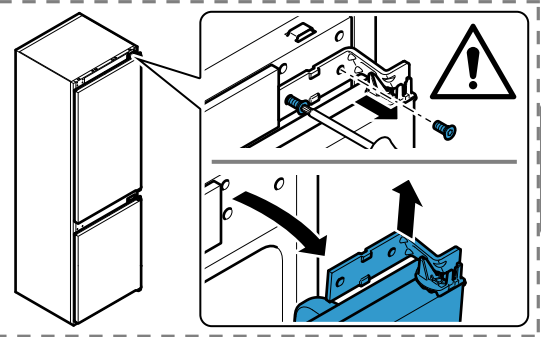
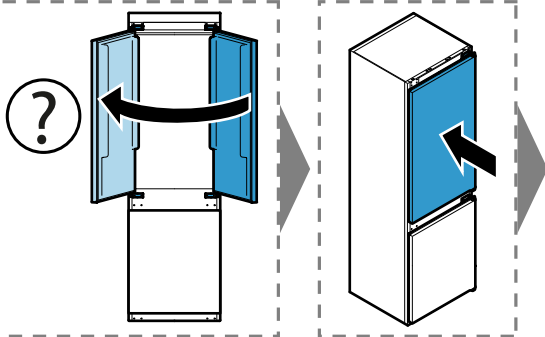
mm

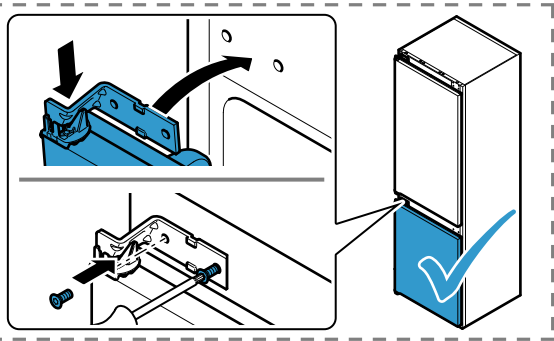
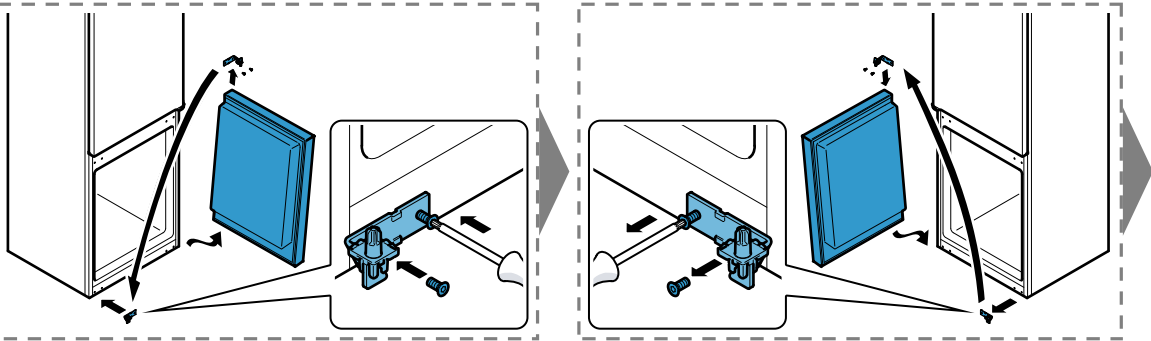
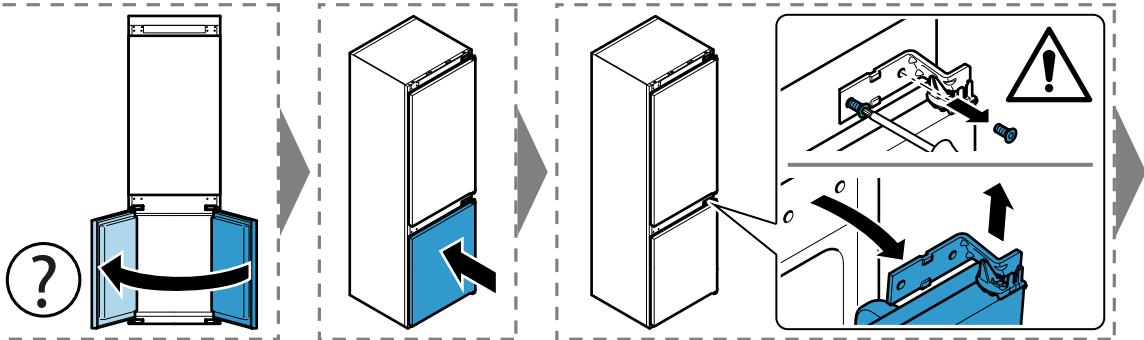












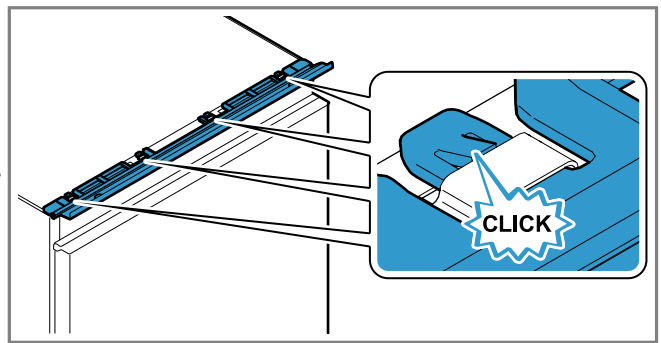
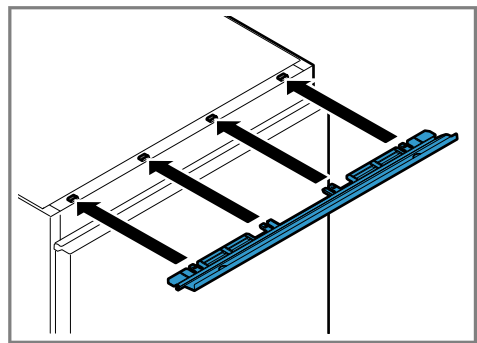
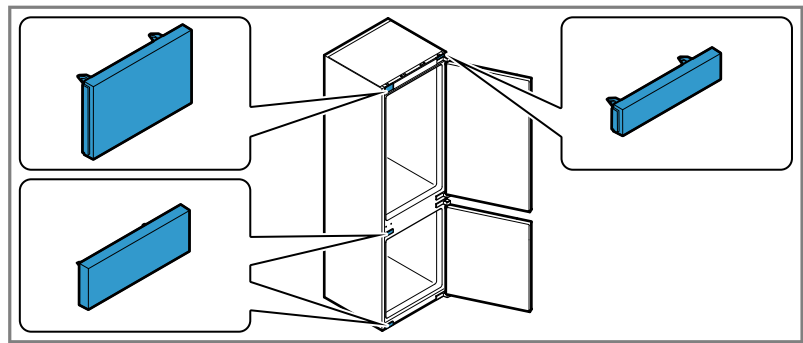
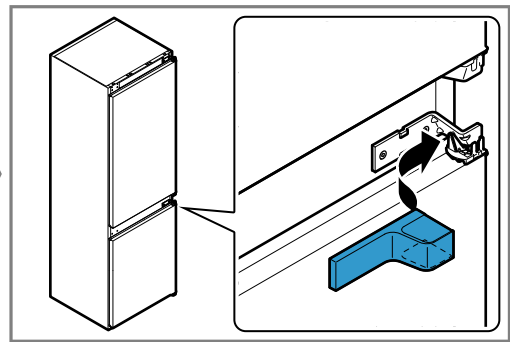
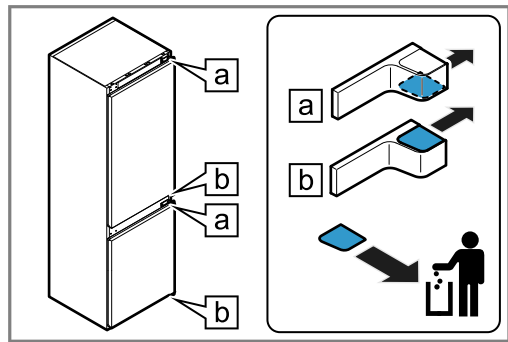
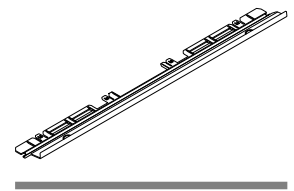
Torx
T 20

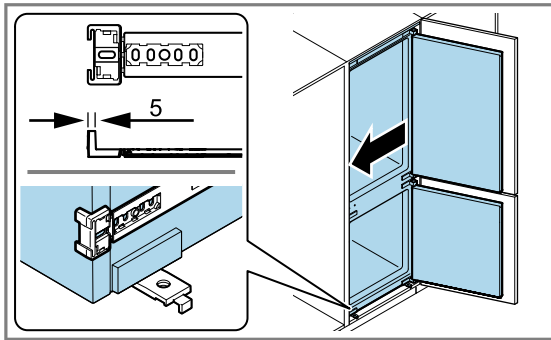
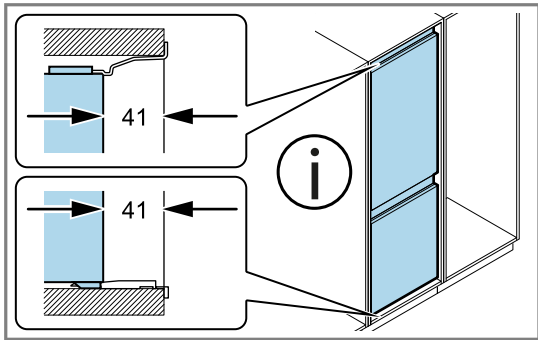
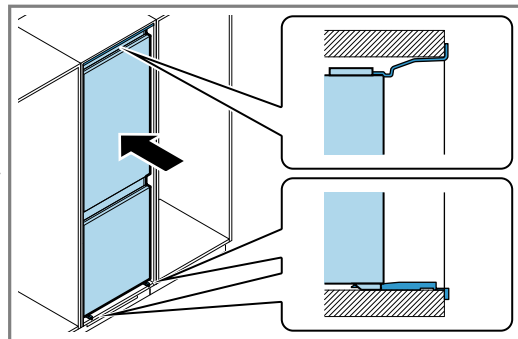
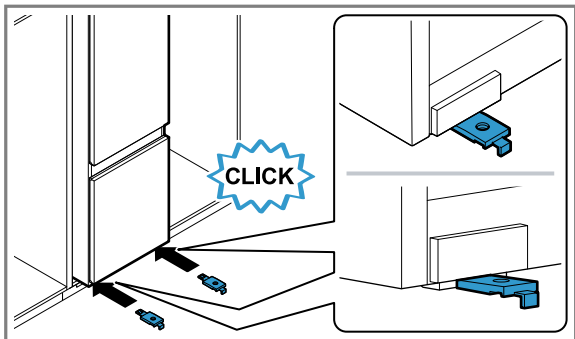
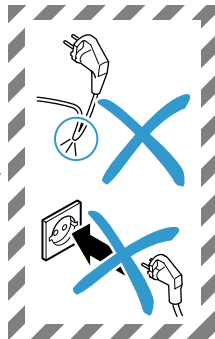
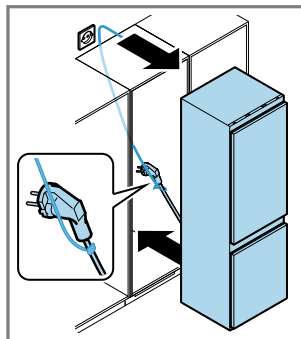
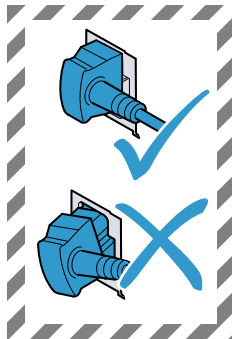
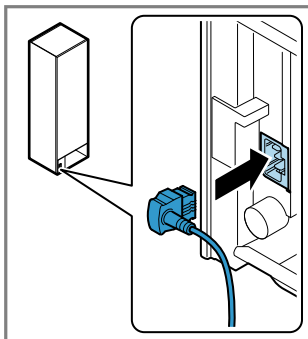
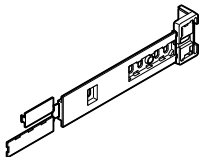
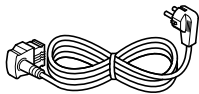


4x



2x





2x

CLICK

41

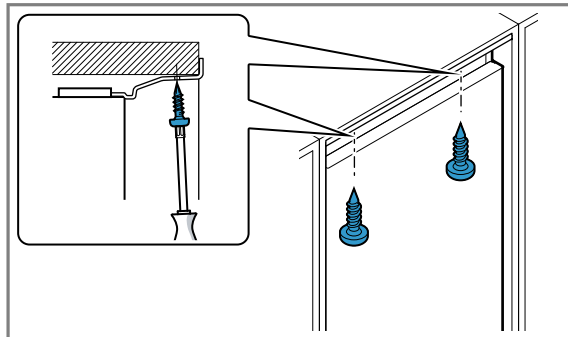
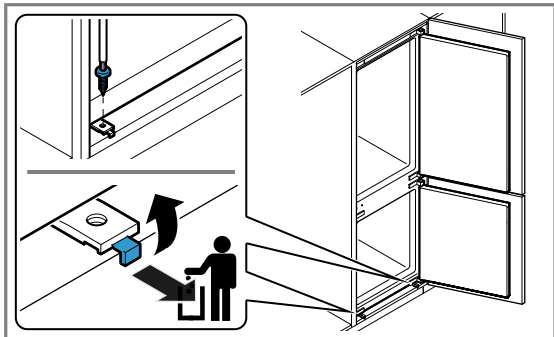
41



00000

5

4x

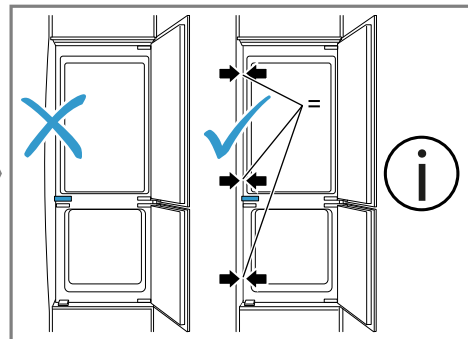
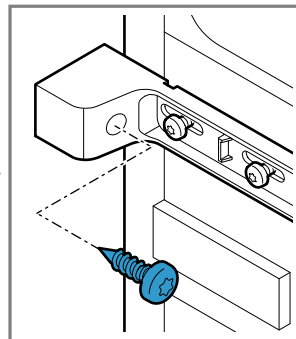
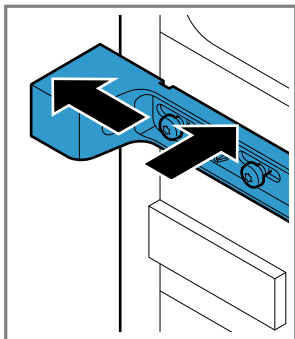
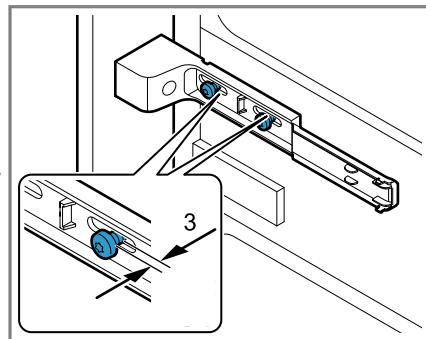
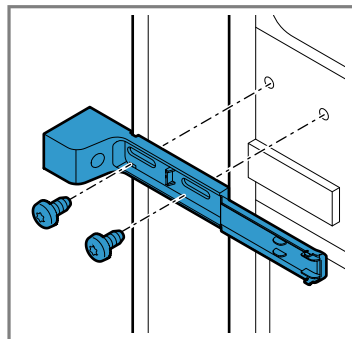
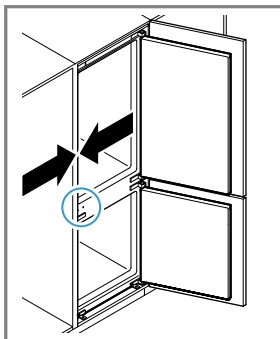
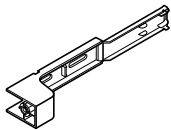


Torx
T 20

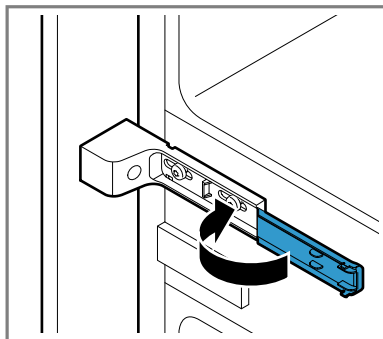
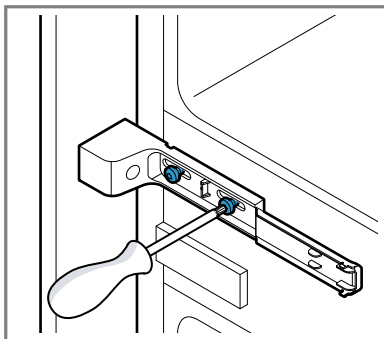


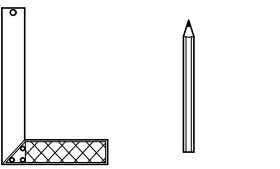
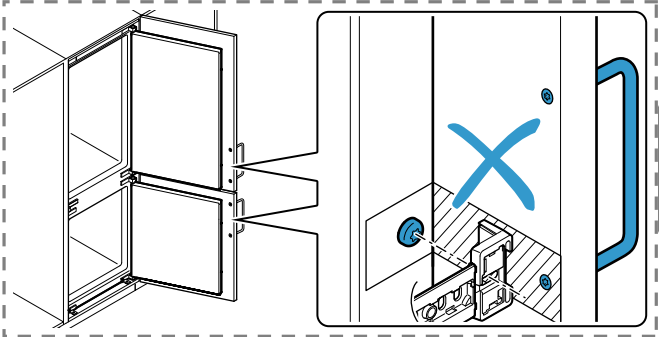
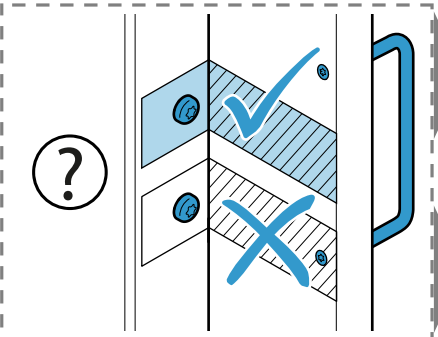
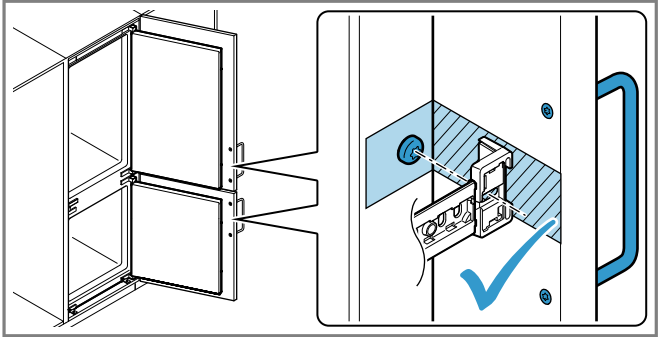
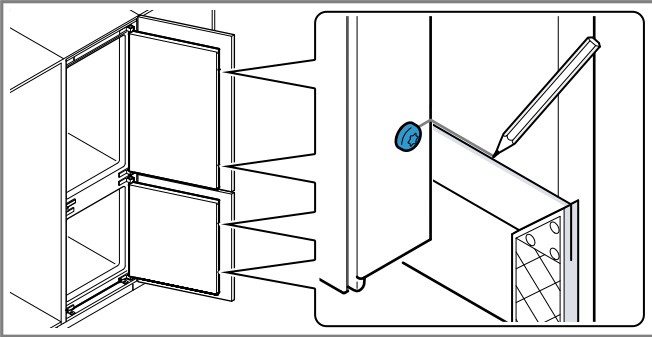
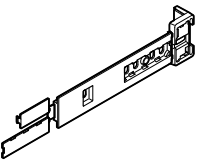


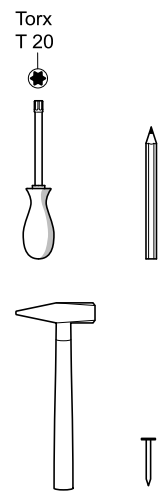
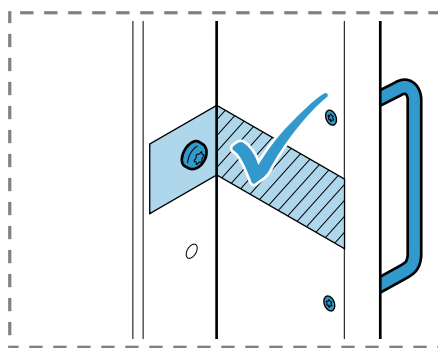
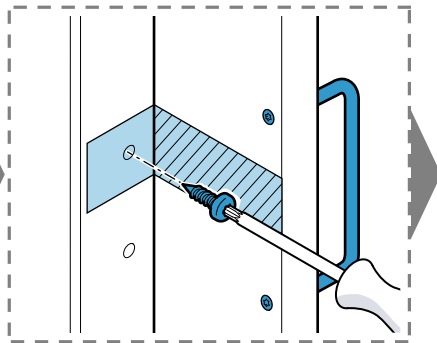
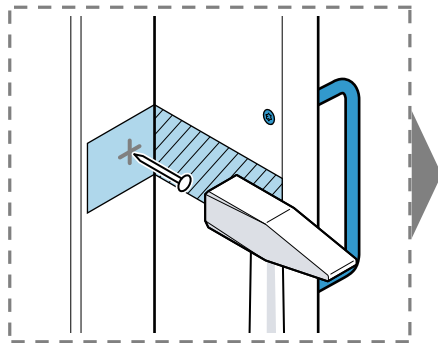
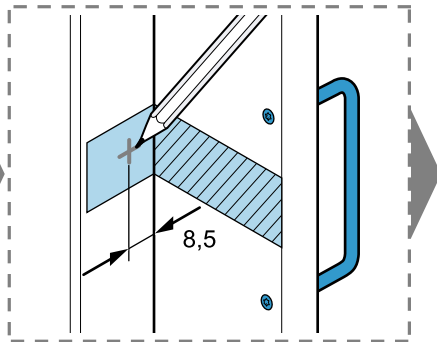
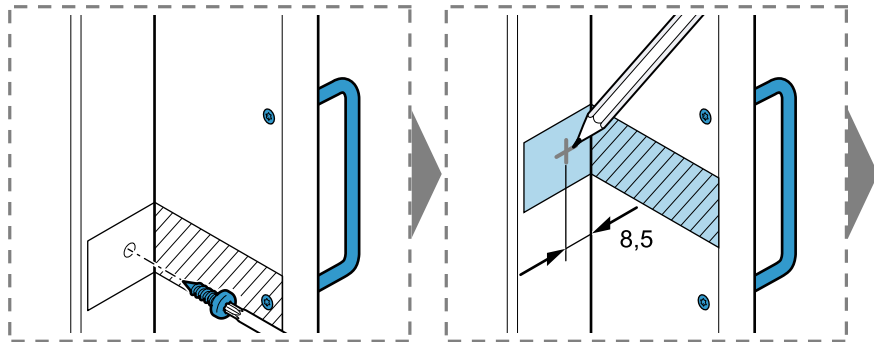
2x



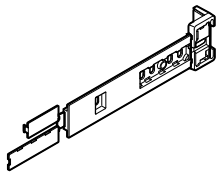
Torx
T 20



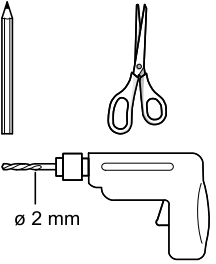
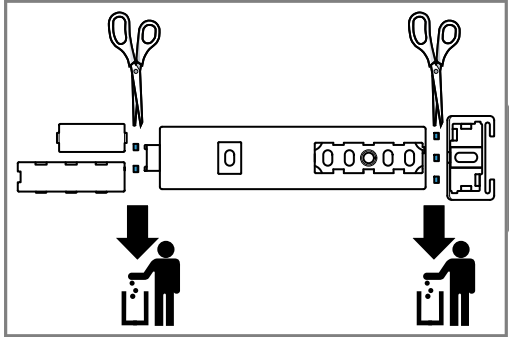
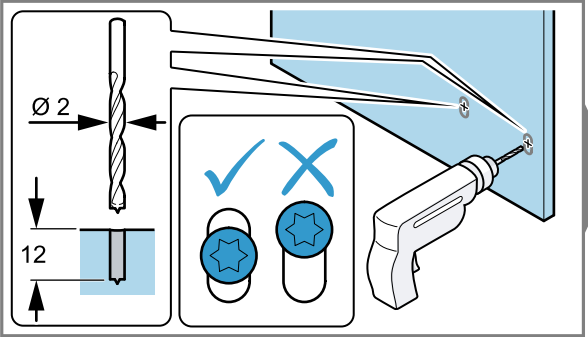
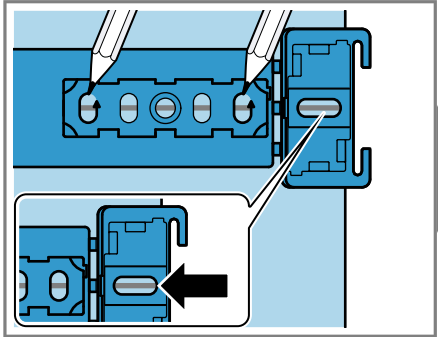
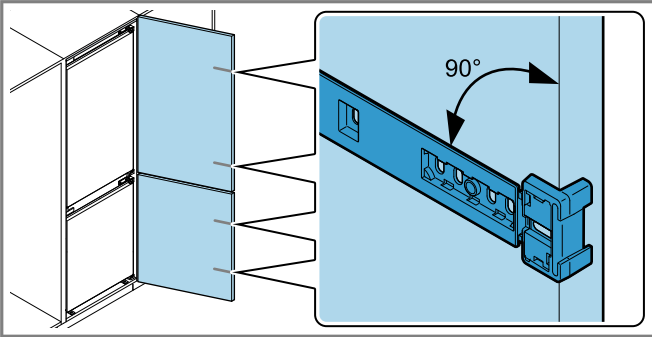




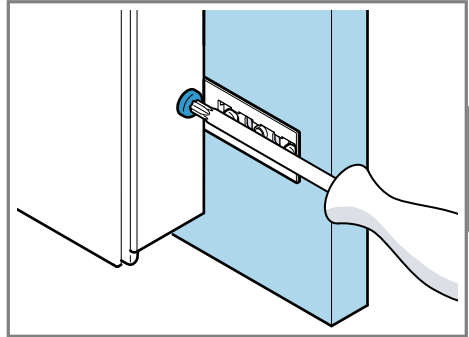
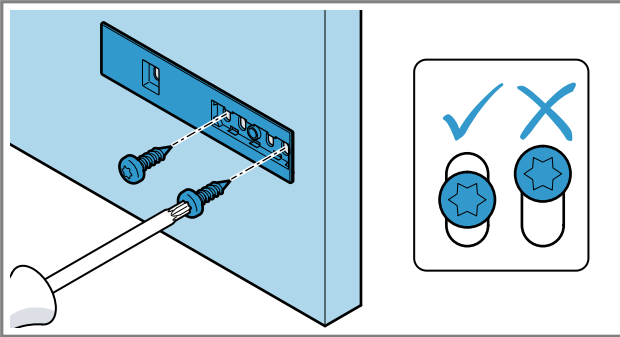
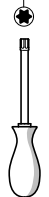
4x



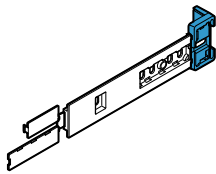
8x



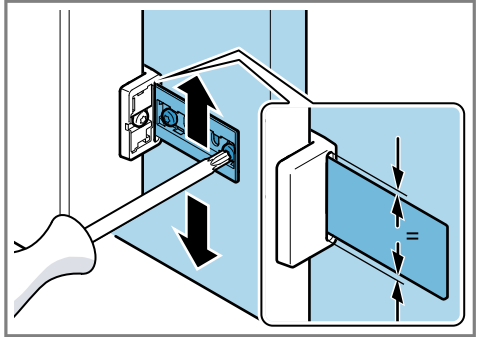
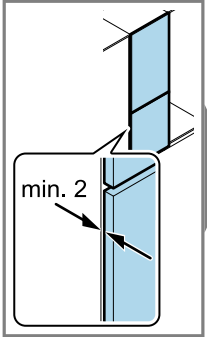
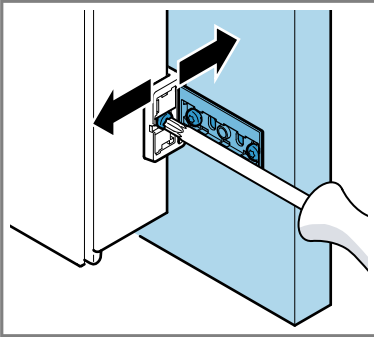
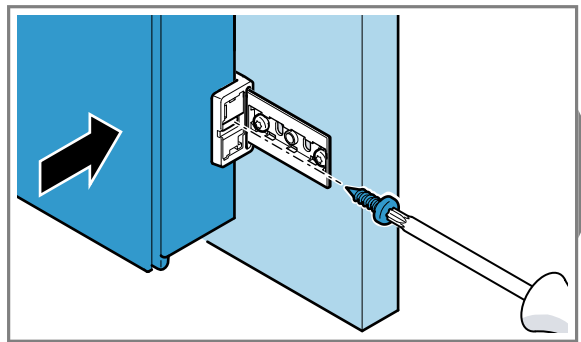
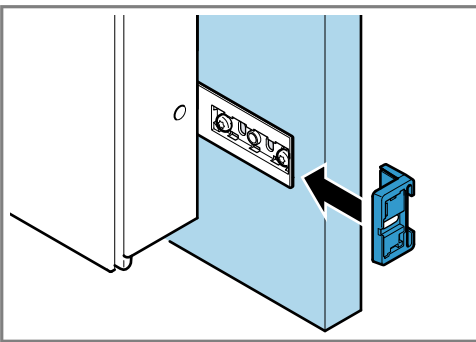
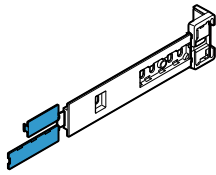
Torx
T 20



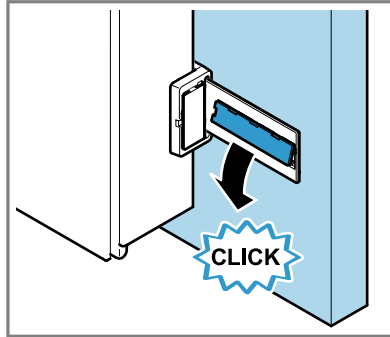
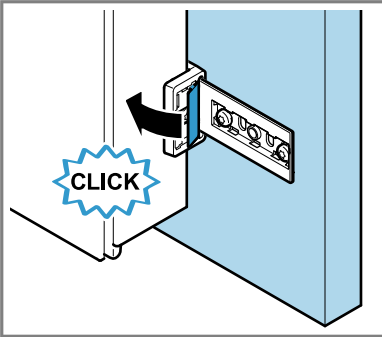
4x

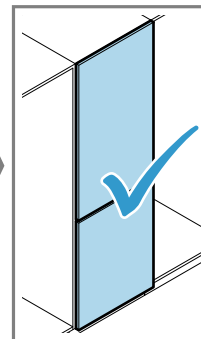
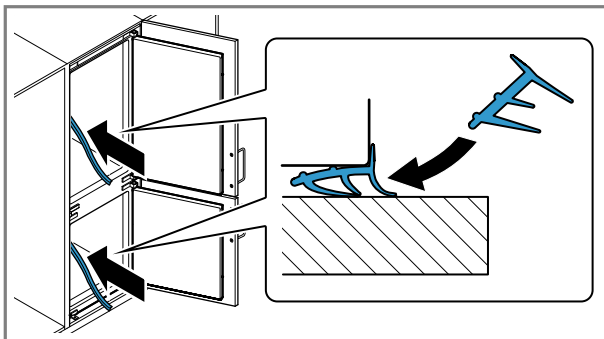
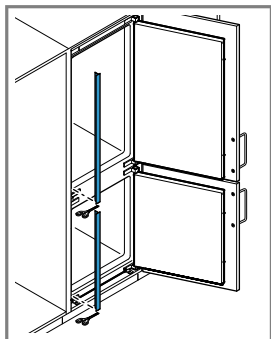
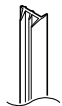


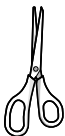
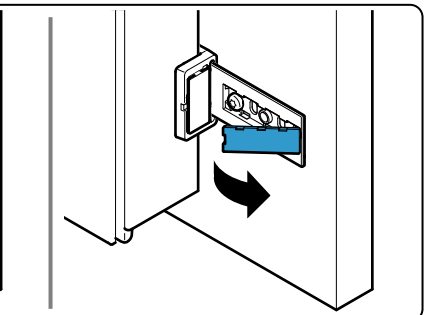
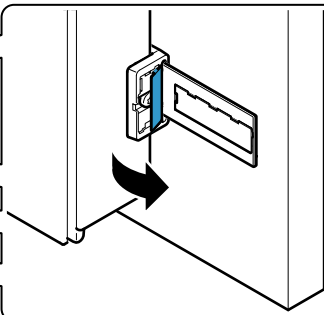
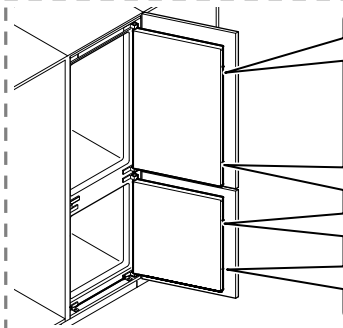
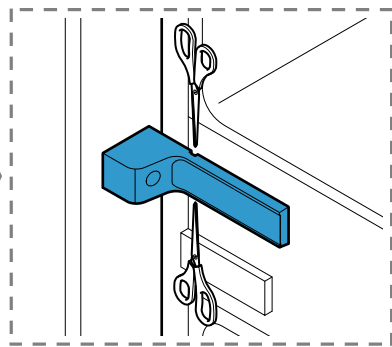
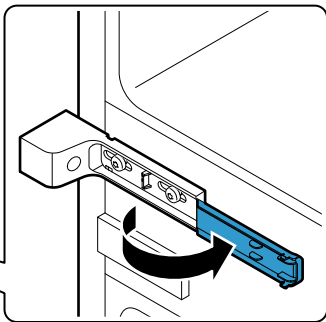
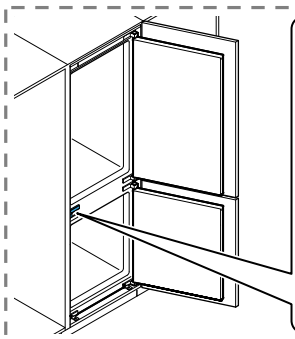
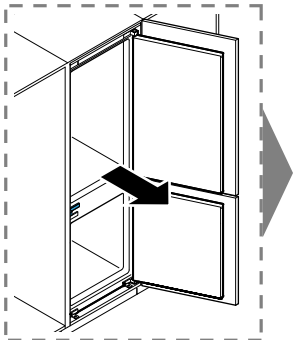
4x

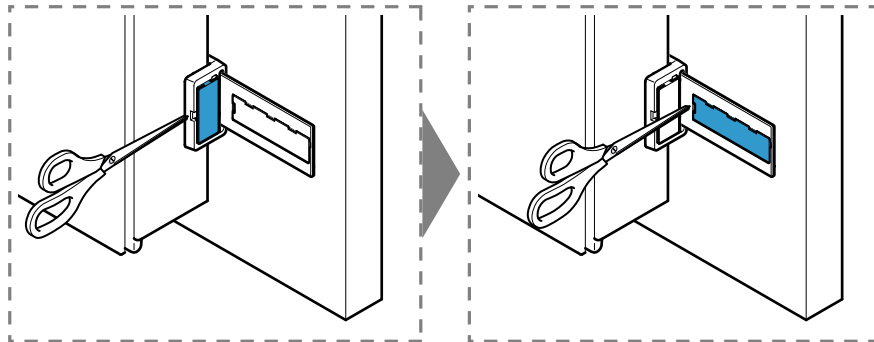


Torx
T 20











A series of horizontal lines for writing, starting from the top of the page and extending to the bottom, with a vertical margin line on the left side.

